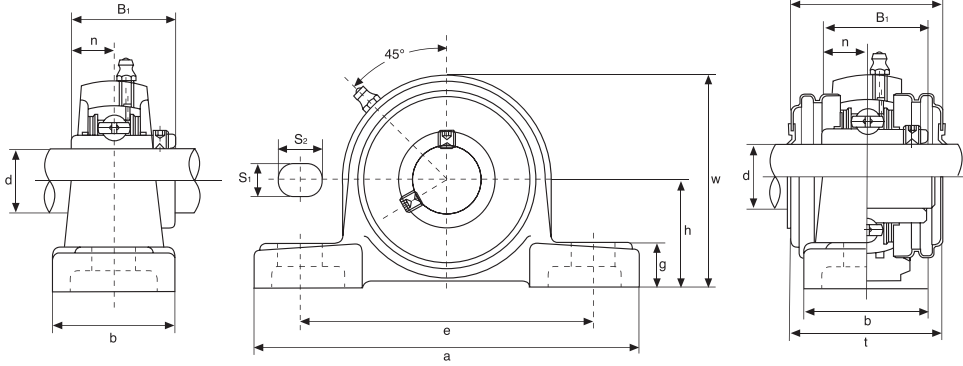




**BEARING UNITS  
SUPPORTI RITTI**



Tipo Type	Dimensioni - Dimensions												Bull. fiss. Bolt Size	Coefficients di carico (N) Load ratings (N)		Cuscinetto Bearing	Supporto Housing	Peso Weight	
	d	h	a	e	b	S <sub>1</sub>	S <sub>2</sub>	g	w	t	B <sub>1</sub>	n		Dinamico C Dynamic C	Statico C <sub>0</sub> Static C <sub>0</sub>				kg
	mm/inch													mm/inch					
UCP201 UCP201-8	12 ½	30,2 13/16	127 5	95 3¾	38 1½	13 ½	19 ¾	14 9/16	62 27/16	44,5 1¾	31 1,2205	12,7 0,500	M10 3/8	12160	6318	UC201 UC201-8	P203	0,69 0,69	
UCP202 UCP202-9 UCP202-10	15 9/16 5/8	30,2 13/16	127 5	95 3¾	38 1½	13 ½	19 ¾	14 9/16	62 27/16	44,5 1¾	31 1,2205	12,7 0,500	M10 3/8	12160	6318	UC202 UC202-9 UC202-10	P203	0,69 0,69 0,69	
UCP203 UCP203-11	17 11/16	30,2 13/16	127 5	95 3¾	38 1½	13 ½	19 ¾	14 9/16	62 27/16	44,5 1¾	31 1,2205	12,7 0,500	M10 3/8	12160	6318	UC203 UC203-11	P203	0,68 0,67	
UCP204 UCP204-12	20 ¾	33,3 15/16	127 5	95 3¾	38 1½	13 ½	19 ¾	14 9/16	65 29/16	44,5 1¾	31 1,2205	12,7 0,500	M10 3/8	12160	6318	UC204 UC204-12	P204	0,66 0,66	
UCP205 UCP205-13 UCP205-14 UCP205-15 UCP205-16	25 13/16 7/8 15/16 1	36,5 17/16	140 5½	105 41/8	38 1½	13 ½	19 ¾	15 19/32	71 225/32	48 157/64	34,1 1,3425	14,3 0,563	M10 3/8	13300	7457	UC205 UC205-13 UC205-14 UC205-15 UC205-16	P205	0,81 0,85 0,83 0,82 0,81	
UCP206 UCP206-17 UCP206-18 UCP206-19 UCP206-20	30 11/16 11/8 13/16 1¼	42,9 111/16	165 6½	121 4¾	48 17/8	17 43/64	20 25/32	17 21/32	84 35/16	53 25/64	38,1 1,5000	15,9 0,626	M14 ½	18525	10735	UC206 UC206-17 UC206-18 UC206-19 UC206-20	P206	1,24 1,27 1,26 1,24 1,23	
UCP207 UCP207-20 UCP207-21 UCP207-22 UCP207-23	35 1¼ 15/16 13/8 17/16	47,6 17/8	167 69/16	127 5	48 17/8	17 43/64	20 25/32	18 45/64	93 321/32	59,5 211/32	42,9 1,6890	17,5 0,689	M14 ½	24415	14630	UC207 UC207-20 UC207-21 UC207-22 UC207-23	P207	1,58 1,64 1,61 1,58 1,55	
UCP208 UCP208-24 UCP208-25	40 1½ 19/16	49,2 115/16	184 7¼	137 513/32	54 21/8	17 43/64	20 25/32	18 45/64	100 315/16	69 223/32	49,2 1,9370	19 0,748	M14 ½	27645	16910	UC208 UC208-24 UC208-25	P208	1,89 1,93 1,90	
UCP209 UCP209-26 UCP209-27 UCP209-28	45 15/8 111/16 1¾	54,0 21/8	190 715/32	146 5¾	54 21/8	17 43/64	20 25/32	20 25/32	106 411/64	69 223/32	49,2 1,9370	19 0,748	M14 ½	32395	20235	UC209 UC209-26 UC209-27 UC209-28	P209	2,14 2,24 2,20 2,14	
UCP210 UCP210-29 UCP210-30 UCP210-31 UCP210-32	50 113/16 17/8 115/16 2	57,2 2¼	206 81/8	159 6¼	60 23/8	20 25/32	23 29/32	21 53/64	113 429/64	74,5 215/16	51,6 2,0315	19 0,748	M16 5/8	33345	22135	UC210 UC210-29 UC210-30 UC210-31 UC210-32	P210	2,66 2,78 2,73 2,68 2,64	
UCP211 UCP211-32 UCP211-33 UCP211-34 UCP211-35	55 2 21/16 21/8 23/16	63,5 2½	219 85/8	171 647/64	60 23/8	20 25/32	23 29/32	23 29/32	125 459/64	76 3	55,6 2,1890	22,2 0,874	M16 5/8	41230	27930	UC211 UC211-32 UC211-33 UC211-34 UC211-35	P211	3,31 3,46 3,40 3,35 3,29	
UCP212 UCP212-36 UCP212-37 UCP212-38 UCP212-39	60 2¼ 25/16 23/8 27/16	69,8 2¾	241 9½	184 7¼	70 234	20 25/32	23 29/32	25 63/64	138 57/16	89 3½	65,1 2,5630	25,4 1,000	M16 5/8	49780	34390	UC212 UC212-36 UC212-37 UC212-38 UC212-39	P212	4,90 5,03 4,95 4,88 4,81	
UCP213 UCP213-40 UCP213-41	65 2½ 29/16	76,2 3	265 107/16	203 8	70 2¾	25 63/64	28 13/32	27 11/16	150 529/32	89 3½	65,1 2,5630	25,4 1,000	M20 ¾	54340	38095	UC213 UC213-40 UC213-41	P213	5,15 5,24 5,15	
UCP214 UCP214-42 UCP214-43 UCP214-44	70 25/8 211/16 2¾	79,4 31/8	266 1015/32	210 817/64	72 227/32	25 63/64	28 13/32	27 11/16	156 69/64	-	74,6 2,9370	30,2 1,189	M20 ¾	59090	41895	UC214 UC214-42 UC214-43 UC214-44	P214	6,20 6,41 6,31 6,21	
UCP215 UCP215-45 UCP215-46 UCP215-47 UCP215-48	75 213/16 27/8 215/16 3	82,6 3¾	275 1053/64	217 835/64	74 229/32	25 63/64	28 13/32	28 13/32	162 63/8	-	77,8 3,0630	33,3 1,311	M20 ¾	64030	45885	UC215 UC215-45 UC215-46 UC215-47 UC215-48	P215	7,16 7,41 7,30 7,19 7,07	
UCP216 UCP216-49 UCP216-50 UCP216-51	80 31/16 31/8 33/16	88,9 3½	292 11½	232 91/8	78 31/16	25 63/64	28 13/32	30 13/16	174 627/32	-	82,6 3,2520	33,3 1,311	M20 ¾	69065	50350	UC216 UC216-49 UC216-50 UC216-51	P216	8,10 8,28 8,15 8,02	
UCP217 UCP217-52 UCP217-53 UCP217-55	85 ¾ 35/16 37/16	95,2 3¾	310 1213/64	247 923/32	83 317/64	25 63/64	28 13/32	32 1¼	185 79/32	-	85,7 3,3740	34,1 1,343	M20 ¾	79800	58805	UC217 UC217-52 UC217-53 UC217-55	P217	9,81 10,03 9,89 9,60	
UCP218 UCP218-56	90 ¾	101,6 4	327 127/8	262 105/16	88 315/32	27 11/16	30 13/16	33 119/64	198 751/64	-	96 3,7795	39,7 1,5630	M22 7/8	91295	67925	UC218 UC218-56	P218	11,96 12,07	

Disponibile in acciaio inox Supporto: AISI 304 - Cuscinetto: AISI 440C o 420C - Available stainless steel Housing: AISI 304 - Bearing: AISI 440C or 420C  
Disponibile su richiesta con cuscinetto SA (SAP.) - Available under request with SA bearing (SAP.)

DOWNLOAD OUR CATALOG - SCARICA IL NOSTRO CATALOGO



ООО "Технодрайв" тел.: 8(863) 223-20-99

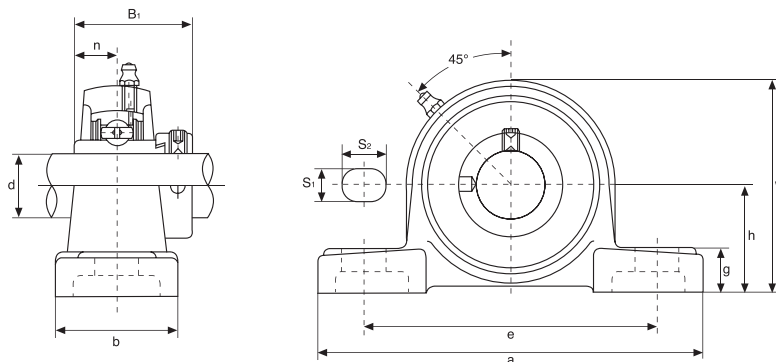
email: info@technodrive.net

http://technodrive.pro



Bearings & Components

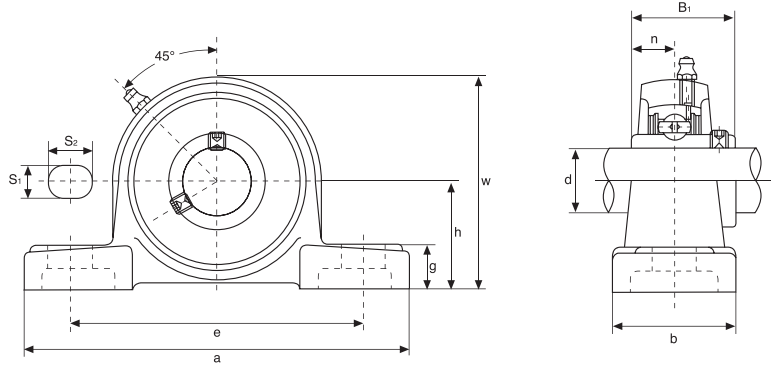
## BEARING UNITS SUPPORTI RITTI



Tipo Type	Dimensioni - Dimensions											Bull. fiss. Bolt Size	Coefficients di carico (N) Load ratings (N)		Cuscinetto Bearing	Supporto Housing	Peso Weight	
	d	h	a	e	b	S <sub>1</sub>	S <sub>2</sub>	g	w	B <sub>1</sub>	n		Dinamico C Dynamic C	Statico C <sub>s</sub> Static C <sub>s</sub>				kg
	mm/inch												mm/inch					
<b>HCP204</b> HCP204-12	20 1¼	33,3 15/16	127 5	95 3¾	38 1½	13 ½	19 ¾	14 9/16	65 29/16	43,7 1,720	17,1 0,673	M10 3/8	12160	6318	<b>HC204</b> HC204-12	<b>P204</b>	0,73 0,73	
<b>HCP205</b> HCP205-13 HCP205-14 HCP205-15 HCP205-16	25 13/16 7/8 15/16 1	36,5 17/16	140 5½	105 41/8	38 1½	13 ½	19 ¾	15 19/32	71 225/32	44,4 1,748	17,5 0,689	M10 3/8	13300	7457	<b>HC205</b> HC205-13 HC205-14 HC205-15 HC205-16	<b>P205</b>	0,88 0,93 0,92 0,90 0,88	
<b>HCP206</b> HCP206-17 HCP206-18 HCP206-19 HCP206-20	30 11/16 11/8 13/16 1¼	42,9 111/16	165 6½	121 4¾	48 17/8	17 43/64	20 25/32	17 21/32	84 35/16	48,4 1,906	18,3 0,720	M14 ½	18525	10735	<b>HC206</b> HC206-17 HC206-18 HC206-19 HC206-20	<b>P206</b>	1,37 1,42 1,39 1,37 1,34	
<b>HCP207</b> HCP207-20 HCP207-21 HCP207-22 HCP207-23	35 1¼ 15/16 13/8 17/16	47,6 17/8	167 69/16	127 5	48 17/8	17 43/64	20 25/32	18 45/64	93 321/32	51,1 2,012	18,8 0,740	M14 ½	24415	14630	<b>HC207</b> HC207-20 HC207-21 HC207-22 HC207-23	<b>P207</b>	1,70 1,77 1,73 1,70 1,67	
<b>HCP208</b> HCP208-24 HCP208-25	40 1½ 19/16	49,2 115/16	184 7¼	137 513/32	54 21/8	17 43/64	20 25/32	18 45/64	100 315/16	56,3 2,217	21,4 0,843	M14 ½	27645	16910	<b>HC208</b> HC208-24 HC208-25	<b>P208</b>	2,04 2,09 2,05	
<b>HCP209</b> HCP209-26 HCP209-27 HCP209-28	45 15/8 111/16 1¾	54,0 21/8	190 715/32	146 5¾	54 21/8	17 43/64	20 25/32	20 25/32	106 411/64	56,3 2,217	21,4 0,843	M14 ½	32395	20235	<b>HC209</b> HC209-26 HC209-27 HC209-28	<b>P209</b>	2,31 2,42 2,37 2,33	
<b>HCP210</b> HCP210-29 HCP210-30 HCP210-31 HCP210-32	50 113/16 17/8 115/16 2	57,2 2¼	206 81/8	159 6¼	60 23/8	20 25/32	23 29/32	21 53/64	113 429/64	62,7 2,469	24,6 0,969	M16 5/8	33345	22135	<b>HC210</b> HC210-29 HC210-30 HC210-31 HC210-32	<b>P210</b>	2,85 3,00 2,94 2,88 2,82	
<b>HCP211</b> HCP211-32 HCP211-33 HCP211-34 HCP211-35	55 2 21/16 21/8 23/16	63,5 2½	219 85/8	171 647/64	60 23/8	20 25/32	23 29/32	23 29/32	125 459/64	71,4 2,811	27,8 1,094	M16 5/8	41230	27930	<b>HC211</b> HC211-32 HC211-33 HC211-34 HC211-35	<b>P211</b>	3,52 3,72 3,64 3,57 3,49	
<b>HCP212</b> HCP212-36 HCP212-37 HCP212-38 HCP212-39	60 2¼ 25/16 23/8 27/16	69,8 2¾	241 9½	184 7¼	70 234	20 25/32	23 29/32	25 63/64	138 57/16	77,8 3,063	31 1,220	M16 5/8	49780	34390	<b>HC212</b> HC212-36 HC212-37 HC212-38 HC212-39	<b>P212</b>	5,24 5,40 5,31 5,26 5,13	
<b>HCP213</b> HCP213-40 HCP213-41	65 2½ 29/16	76,2 3	265 107/16	203 8	70 2¾	25 63/64	28 13/32	27 11/16	150 529/32	85,7 3,374	34,1 1,343	M20 ¾	54340	38095	<b>HC213</b> HC213-40 HC213-41	<b>P213</b>	5,71 5,81 5,70	
<b>HCP214</b> HCP214-42 HCP214-43 HCP214-44	70 25/8 211/16 2¾	79,4 31/8	266 1015/32	210 817/64	72 227/32	25 63/64	28 13/32	27 11/16	156 69/64	85,7 3,374	34,1 1,343	M20 ¾	59090	41895	<b>HC214</b> HC214-42 HC214-43 HC214-44	<b>P214</b>	6,70 6,94 6,83 6,71	
<b>HCP215</b> HCP215-45 HCP215-46 HCP215-47 HCP215-48	75 213/16 27/8 215/16 3	82,6 3¼	275 1053/64	217 835/64	74 229/32	25 63/64	28 13/32	28 13/32	162 63/8	92,1 3,626	37,3 1,426	M20 ¾	64030	45885	<b>HC215</b> HC215-45 HC215-46 HC215-47 HC215-48	<b>P215</b>	7,79 8,09 7,96 7,83 7,69	



**BEARING UNITS  
SUPPORTI RITTI**



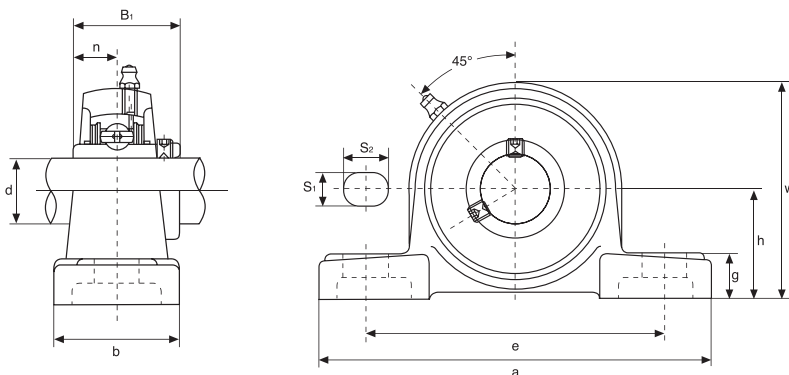
Tipo Type	Dimensioni - Dimensions											Bull. fiss. Bolt Size	Coefficienti di carico (N) Load ratings (N)		Cuscinetto Bearing	Supporto Housing	Peso Weight	
	d	h	a	e	b	S <sub>1</sub>	S <sub>2</sub>	g	w	B <sub>1</sub>	n		Dinamico C Dynamic C	Statico C <sub>0</sub> Static C <sub>0</sub>				kg
	mm/inch												mm/inch					
<b>UCLP201</b>	<b>12</b>	31,75	127	95	38	13	16	14	64	31	12,7	M10			<b>UC201</b>	<b>LP204</b>	0,69	
UCLP201-8	½	1¼	5	3¾	1½	½	5/8	9/16	233/64	1,2205	0,500	3/8	12160	6318	UC201-8		0,69	
<b>UCLP202</b>	<b>15</b>	31,75	127	95	38	13	16	14	64	31	12,7	M10			<b>UC202</b>	<b>LP204</b>	0,69	
UCLP202-9	9/16	1¼	5	3¾	1½	½	5/8	9/16	233/64	1,2205	0,500	3/8	12160	6318	UC202-9		0,69	
UCLP202-10	5/8														UC202-10		0,69	
<b>UCLP203</b>	<b>17</b>	31,75	127	95	38	13	16	14	64	31	12,7	M10			<b>UC203</b>	<b>LP204</b>	0,68	
UCP203-11	11/16	1¼	5	3¾	1½	½	5/8	9/16	233/64	1,2205	0,500	3/8	12160	6318	UC203-11		0,67	
<b>UCLP204</b>	<b>20</b>	31,75	127	95	38	13	16	14	64	31	12,7	M10			<b>UC204</b>	<b>LP204</b>	0,66	
UCP204-12	¾	1¼	5	3¾	1½	½	5/8	9/16	233/64	1,2205	0,500	3/8	12160	6318	UC204-12		0,66	
<b>UCLP205</b>	<b>25</b>	33,34	140	105	38	13	16	15	68	34,1	14,3	M10			<b>UC205</b>		0,81	
UCLP205-13	13/16														UC205-13		0,85	
UCLP205-14	7/8														UC205-14	<b>LP205</b>	0,83	
UCLP205-15	15/16	15/16	5½	41/8	1½	½	5/8	19/32	243/64	1,3425	0,563	3/8	13300	7457	UC205-15		0,82	
UCLP205-16	1														UC205-16		0,81	
<b>UCLP206</b>	<b>30</b>	39,69	165	121	48	17	20	17	80	38,1	15,9	M14			<b>UC206</b>		1,24	
UCLP206-17	11/16														UC206-17		1,27	
UCLP206-18	11/8														UC206-18	<b>LP206</b>	1,26	
UCLP206-19	13/16	19/16	6½	4¾	17/8	43/64	25/32	21/32	35/32	1,5000	0,626	½	18525	10735	UC206-19		1,24	
UCLP206-20	1¼														UC206-20		1,23	
<b>UCLP207</b>	<b>35</b>	46,04	167	127	48	17	20	18	91	42,9	17,5	M14			<b>UC207</b>		1,58	
UCLP207-20	1¼														UC207-20		1,64	
UCLP207-21	15/16														UC207-21	<b>LP207</b>	1,61	
UCLP207-22	13/8	113/16	69/16	5	17/8	43/64	25/32	45/64	337/64	1,6890	0,689	½	24415	14630	UC207-22		1,58	
UCLP207-23	17/16														UC207-23		1,55	
<b>UCLP208</b>	<b>40</b>	49,2	184	137	54	17	20	18	100	49,2	19	M14			<b>UC208</b>		1,89	
UCLP208-24	1½														UC208-24	<b>LP208</b>	1,93	
UCLP208-25	19/16	115/16	7¼	513/32	21/8	43/64	25/32	45/64	315/16	1,9370	0,748	½	27645	16910	UC208-25		1,90	
<b>UCLP209</b>	<b>45</b>	52,39	190	146	54	17	20	20	104	49,2	19	M14			<b>UC209</b>		2,14	
UCLP209-26	15/8														UC209-26	<b>LP209</b>	2,24	
UCLP209-27	111/16	21/16	715/32	5¾	21/8	43/64	25/32	25/32	43/32	1,9370	0,748	½	32395	20235	UC209-27		2,20	
UCLP209-28	1¾														UC209-28		2,14	
<b>UCLP210</b>	<b>50</b>	55,56	206	159	60	20	23	21	112	51,6	19	M16			<b>UC210</b>		2,66	
UCLP210-29	113/16														UC210-29		2,78	
UCLP210-30	17/8														UC210-30	<b>LP210</b>	2,73	
UCLP210-31	115/16	23/16	81/8	6¼	23/8	25/32	29/32	53/64	413/32	2,0315	0,748	5/8	33345	22135	UC210-31		2,68	
UCLP210-32	2														UC210-32		2,64	
<b>UCLP211</b>	<b>55</b>	61,91	219	171	60	20	23	23	124	55,6	22,2	M16			<b>UC211</b>		3,31	
UCLP211-32	2														UC211-32		3,46	
UCLP211-33	21/16														UC211-33	<b>LP211</b>	3,40	
UCLP211-34	21/8	27/16	85/8	647/64	23/8	25/32	29/32	29/32	47/8	2,1890	0,874	5/8	41230	27930	UC211-34		3,35	
UCLP211-35	23/16														UC211-35		3,29	
<b>UCLP212</b>	<b>60</b>	68,26	241	184	70	20	23	25	136	65,1	25,4	M16			<b>UC212</b>		4,90	
UCLP212-36	2¼														UC212-36		5,03	
UCLP212-37	25/16														UC212-37	<b>LP212</b>	4,95	
UCLP212-38	23/8	211/16	9½	7¼	234	25/32	29/32	63/64	523/64	2,5630	1,000	5/8	49780	34390	UC212-38		4,88	
UCLP212-39	27/16														UC212-39		4,81	





Bearings & Components

## BEARING UNITS SUPPORTI RITTI



Tipo Type	Dimensioni - Dimensions											Bull. fiss. Bolt Size	Coefficienti di carico (N) Load ratings (N)		Cuscinetto Bearing	Supporto Housing	Peso Weight kg
	d	h	a	e	b	S <sub>1</sub>	S <sub>2</sub>	g	w	B <sub>1</sub>	n		Dinamico C Dynamic C	Statico C <sub>0</sub> Static C <sub>0</sub>			
	mm/inch												mm/inch				
<b>UCP305</b> UCP305-13 UCP305-14 UCP305-15 UCP305-16	<b>25</b> 13/16 7/8 15/16 1	45	175	132	45	17	20	15	85	38	15	M14	20140	10355	<b>UC305</b> UC305-13 UC305-14 UC305-15 UC305-16	<b>P305</b>	1,4
<b>UCP306</b> UCP306-17 UCP306-18 UCP306-19	<b>30</b> 11/16 11/8 13/16	50	180	140	50	17	20	18	95	43	17	M14	25365	14250	<b>UC306</b> UC306-17 UC306-18 UC306-19	<b>P306</b>	1,8
<b>UCP307</b> UCP307-20 UCP307-21 UCP307-22 UCP307-23	<b>35</b> 1 1/4 15/16 13/8 17/16	56	210	160	56	17	25	20	106	48	19	M14	31730	18335	<b>UC307</b> UC307-20 UC307-21 UC307-22 UC307-23	<b>P307</b>	2,8
<b>UCP308</b> UCP308-24 UCP308-25	<b>40</b> 1 1/2 19/16	60	220	170	60	17	27	22	116	52	19	M14	38665	22800	<b>UC308</b> UC308-24 UC308-25	<b>P308</b>	3,0
<b>UCP309</b> UCP309-26 UCP309-27 UCP309-28	<b>45</b> 15/8 111/16 1 3/4	67	245	190	67	20	30	24	129	57	22	M16	46455	28025	<b>UC309</b> UC309-26 UC309-27 UC309-28	<b>P309</b>	4,1
<b>UCP310</b> UCP310-29 UCP310-30 UCP310-31	<b>50</b> 113/16 17/8 115/16	75	275	212	75	20	35	27	143	61	22	M16	58900	36385	<b>UC310</b> UC310-29 UC310-30 UC310-31	<b>P310</b>	5,8
<b>UCP311</b> UCP311-32 UCP311-33 UCP311-34 UCP311-35	<b>55</b> 2 21/16 21/8 23/16	80	310	236	80	20	38	30	154	66	25	M16	68020	42750	<b>UC311</b> UC311-32 UC311-33 UC311-34 UC311-35	<b>P311</b>	7,4
<b>UCP312</b> UCP312-36 UCP312-37 UCP312-38 UCP312-39	<b>60</b> 2 1/4 25/16 23/8 27/16	85	330	250	85	25	38	32	165	71	26	M20	77805	49590	<b>UC312</b> UC312-36 UC312-37 UC312-38 UC312-39	<b>P312</b>	9,4
<b>UCP313</b> UCP313-40 UCP313-41	<b>65</b> 2 1/2 29/16	90	340	260	90	25	38	33	176	75	30	M20	88065	56905	<b>UC313</b> UC313-40 UC313-41	<b>P313</b>	10
<b>UCP314</b> UCP314-42 UCP314-43 UCP314-44	<b>70</b> 25/8 211/16 2 3/4	95	360	280	90	27	40	35	187	78	33	M22	98800	64790	<b>UC314</b> UC314-42 UC314-43 UC314-44	<b>P314</b>	12
<b>UCP315</b> UCP315-45 UCP315-46 UCP315-47 UCP315-48	<b>75</b> 216/8 27/8 215/16 3	100	380	290	100	27	40	35	198	82	32	M22	107350	73340	<b>UC315</b> UC315-45 UC315-46 UC315-47 UC315-48	<b>P315</b>	14
<b>UCP316</b> UCP316-49 UCP316-50 UCP316-51	<b>80</b> 31/16 31/8 33/16	106	400	300	110	27	40	40	210	86	34	M22	111850	82365	<b>UC316</b> UC316-49 UC316-50 UC316-51	<b>P316</b>	18
<b>UCP317</b> UCP317-52 UCP317-53 UCP317-55	<b>85</b> 3 1/4 35/16 37/16	112	420	320	110	33	45	40	220	96	40	M27	126350	91960	<b>UC317</b> UC317-52 UC317-53 UC317-55	<b>P317</b>	20
<b>UCP318</b> UCP318-55 UCP318-56	<b>90</b> 37/16 3 1/2	118	430	330	110	33	45	45	235	96	40	M27	135850	101650	<b>UC318</b> UC318-55 UC318-56	<b>P318</b>	24
<b>UCP319</b> UCP319-58 UCP319-59 UCP319-60	<b>95</b> 35/8 311/16 3 3/4	125	470	360	120	36	50	45	250	103	41	M30	145350	113050	<b>UC319</b> UC319-58 UC319-59 UC319-60	<b>P319</b>	29
<b>UCP320</b> UC320-64	<b>100</b> 4	140	490	380	120	36	50	50	275	108	42	M30	164350	133950	<b>UC320</b> UC320-64	<b>P320</b>	35
<b>UCP321</b>	<b>105</b>	140	490	380	120	36	50	56	283	112	44	M33	174800	145350	<b>UC321</b>	<b>P321</b>	35
<b>UCP322</b>	<b>110</b>	150	520	400	140	40	55	61	303	117	46	M33	194750	171000	<b>UC322</b>	<b>P322</b>	45
<b>UCP324</b>	<b>120</b>	160	570	450	140	40	55	71	323	126	51	M33	196650	175750	<b>UC324</b>	<b>P324</b>	55
<b>UCP326</b>	<b>130</b>	180	600	480	140	40	55	81	363	135	54	M33	217550	203300	<b>UC326</b>	<b>P326</b>	72
<b>UCP328</b>	<b>140</b>	200	620	500	140	40	55	81	403	145	59	M33	240350	233700	<b>UC328</b>	<b>P328</b>	89

DOWNLOAD OUR CATALOG - SCARICA IL NOSTRO CATALOGO

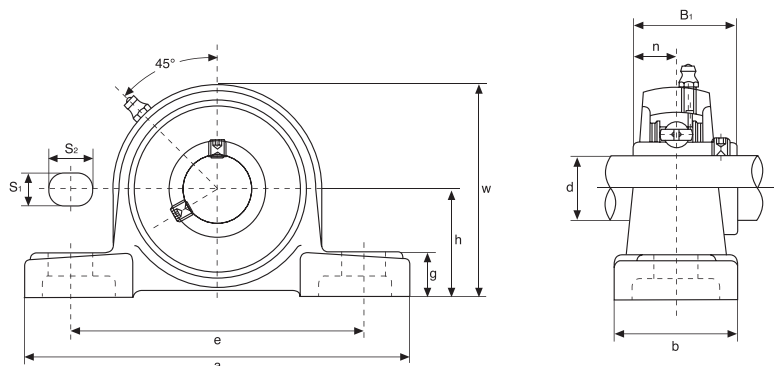


ООО "Технодрайв" тел.: 8(863) 223-20-99

email: info@technodrive.net

http://technodrive.pro

**BEARING UNITS  
SUPPORTI RITTI**



Tipo Type	Dimensioni - Dimensions											Bull. fiss. Bolt Size	Coefficienti di carico (N) Load ratings (N)		Cuscinetto Bearing	Supporto Housing	Peso Weight	
	d	h	a	e	b	S <sub>1</sub>	S <sub>2</sub>	g	w	B <sub>1</sub>	n		Dinamico C Dynamic C	Statico C <sub>0</sub> Static C <sub>0</sub>				kg
	mm/inch												mm/inch					
<b>UCPX05</b> UCPX05-13 UCPX05-14 UCPX05-15 UCPX05-16	<b>25</b> 13/16 7/8 15/16 1	44,4 1 3/4	159 6 1/4	119 4 11/16	51 2	17 43/64	20 25/32	18 23/32	85 3 11/32	38,1 1,5000	15,9 0,626	M14 1/2	18525	10735	<b>UCX05</b> UCX05-13 UCX05-14 UCX05-15 UCX05-16	<b>PX05</b>	1,5	
<b>UCPX06</b> UCPX06-17 UCPX06-18 UCPX06-19 UCPX06-20	<b>30</b> 1 1/16 11/8 13/16 1 1/4	47,6 1 7/8	175 6 7/8	127 5	57 2 1/4	17 43/64	20 25/32	20 25/32	93 3 31/32	42,9 1,6890	17,5 0,689	M14 1/2	24415	14630	<b>UCX06</b> UCX06-17 UCX06-18 UCX06-19 UCX06-20	<b>PX06</b>	2,0	
<b>UCPX07</b> UCPX07-21 UCPX07-22 UCPX07-23	<b>35</b> 15/16 13/8 17/16	54,0 2 1/8	203 8	144 5 21/32	57 2 1/4	17 43/64	20 25/32	21 13/16	105 4 1/8	49,2 1,9370	19 0,748	M14 1/2	27645	16910	<b>UCX07</b> UCX07-21 UCX07-22 UCX07-23	<b>PX07</b>	2,6	
<b>UCPX08</b> UCPX08-24 UCPX08-25	<b>40</b> 1 1/2 19/16	58,7 2 5/16	222 8 3/4	156 6 5/32	67 2 5/8	20 25/32	23 29/32	26 11/32	111 4 3/8	49,2 1,9370	19 0,748	M16 5/8	32395	20235	<b>UCX08</b> UCX08-24 UCX08-25	<b>PX08</b>	3,3	
<b>UCPX09</b> UCPX09-26 UCPX09-27 UCPX09-28 UCPX09-29	<b>45</b> 15/8 111/16 1 3/4 113/16	58,7 2 5/16	222 8 3/4	156 6 5/32	67 2 5/8	20 25/32	23 29/32	26 11/32	116 4 9/16	51,6 2,0315	19 0,748	M16 5/8	33345	22135	<b>UCX09</b> UCX09-26 UCX09-27 UCX09-28 UCX09-29	<b>PX09</b>	3,3	
<b>UCPX10</b> UCPX10-30 UCPX10-31 UCPX10-32	<b>50</b> 17/8 115/16 2	63,5 2 1/2	241 9 1/2	171 6 47/64	73 2 7/8	20 25/32	23 29/32	27 11/16	126 4 31/32	55,6 2,1890	22,2 0,874	M16 5/8	41230	27930	<b>UCX10</b> UCX10-30 UCX10-31 UCX10-32	<b>PX10</b>	4,3	
<b>UCPX11</b> UCPX11-33 UCPX11-34 UCPX11-35 UCPX11-36 UCPX11-37	<b>55</b> 21/16 21/8 23/16 2 1/4 25/16	69,8 2 3/4	260 10 1/4	184 7 1/4	79 3 1/8	25 31/32	28 13/32	30 13/16	137 5 13/32	65,1 2,5630	25,4 1,000	M20 3/4	49780	34390	<b>UCX11</b> UCX11-33 UCX11-34 UCX11-35 UCX11-36 UCX11-37	<b>PX11</b>	5,7	
<b>UCPX12</b> UCPX12-38 UCPX12-39	<b>60</b> 23/8 27/16	76,2 3	286 11 1/4	203 8	83 3 9/32	25 31/32	28 13/32	33 15/16	151 5 15/16	65,1 2,5630	25,4 1,000	M20 3/4	54340	38095	<b>UCX12</b> UCX12-38 UCX12-39	<b>PX12</b>	7,3	
<b>UCPX13</b> UCPX13-40 UCPX13-41	<b>65</b> 2 1/2 29/16	76,2 3	286 11 1/4	203 8	83 3 9/32	25 63/64	28 13/32	33 15/16	154 6 1/16	74,6 2,9370	30,2 1,189	M20 3/4	59090	41895	<b>UCX13</b> UCX13-40 UCX13-41	<b>PX13</b>	7,6	
<b>UCPX14</b> UCPX14-42 UCPX14-43 UCPX14-44	<b>70</b> 25/8 211/16 2 3/4	88,9 3 1/2	330 13	229 9 1/32	89 3 1/2	27 11/16	30 13/16	35 13/8	170 6 11/16	77,8 3,0630	33,3 1,311	M22 7/8	64030	45885	<b>UCX14</b> UCX14-42 UCX14-43 UCX14-44	<b>PX14</b>	9,9	
<b>UCPX15</b> UCPX15-45 UCPX15-46 UCPX15-47 UCPX15-48	<b>75</b> 213/16 27/8 215/16 3	88,9 3 1/2	330 13	229 9 1/32	89 3 1/2	27 11/16	30 13/16	35 13/8	175 6 7/8	82,6 3,2520	33,3 1,311	M22 7/8	69065	50350	<b>UCX15</b> UCX15-45 UCX15-46 UCX15-47 UCX15-48	<b>PX15</b>	11	
<b>UCPX16</b> UCPX16-49 UCPX16-50 UCPX16-51 UCPX16-52	<b>80</b> 31/16 31/8 33/16 3 1/4	101,6 4	381 15	283 11 5/32	102 4 1/32	27 11/16	30 13/16	40 19/16	194 7 5/8	85,7 3,3740	34,1 1,343	M22 7/8	79800	58805	<b>UCX16</b> UCX16-49 UCX16-50 UCX16-51 UCX16-52	<b>PX16</b>	15	
<b>UCPX17</b> UCPX17-53 UCPX17-55	<b>85</b> 35/16 37/16	101,6 4	381 15	283 11 5/32	102 4 1/32	27 11/16	30 13/16	40 19/16	200 7 7/8	96 3,7795	39,7 1,563	M22 7/8	91295	67925	<b>UCX17</b> UCX17-53 UCX17-55	<b>PX17</b>	16	
<b>UCPX18</b> UCPX18-56 UCPX18-57	<b>90</b> 37/16 3 1/2	101,6 4	381 15	283 11 5/32	111 4 3/8	27 11/16	30 13/16	40 19/16	206 8 1/8	104 4,0945	42,9 1,689	M22 7/8	103550	77805	<b>UCX18</b> UCX18-56 UCX18-57	<b>PX18</b>	17	
<b>UCPX20</b> UCPX20-58 UCPX20-59 UCPX20-60 UCPX20-61	<b>100</b> 313/16 37/8 315/16 4	127 5	432 17	337 13 9/32	121 4 3/4	33 15/16	36 113/32	45 125/32	244 9 19/32	117,5 4,6260	49,2 1,937	M27 1	126350	99750	<b>UCX20</b> UCX20-58 UCX20-59 UCX20-60 UCX20-61	<b>PX20</b>	30	

DOWNLOAD OUR CATALOG - SCARICA IL NOSTRO CATALOGO



ООО "Технодрайв" тел.: 8(863) 223-20-99

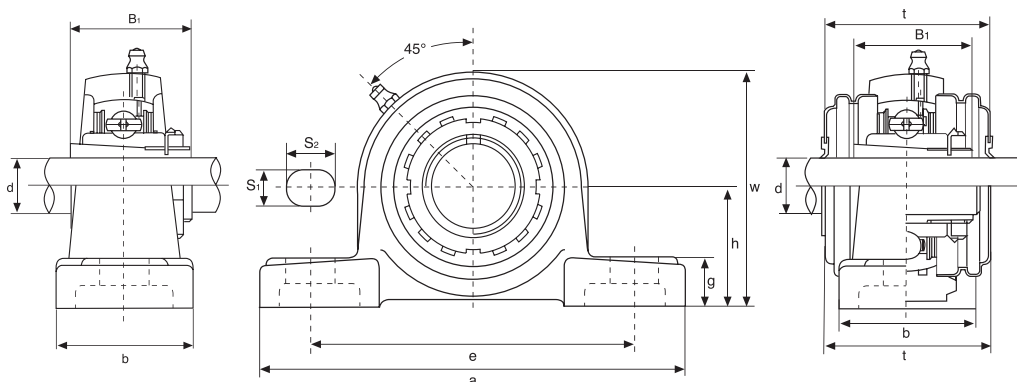
email: info@technodrive.net

http://technodrive.pro



Bearings & Components

## BEARING UNITS WITH ADAPTER SLEEVE SUPPORTI RITTI CON BUSSOLA



Tipo Type	Dimensioni - Dimensions											Bull. fiss. Bolt Size	Coefficients di carico (N) Load ratings (N)		Cuscinetto Bearing	Supporto Housing	Peso Weight
	d	h	a	e	b	S <sub>1</sub>	S <sub>2</sub>	g	w	t	B <sub>1</sub>		Dinamico C Dynamic C	Statico C <sub>0</sub> Static C <sub>0</sub>			
	mm/inch												mm/inch				
<b>UKP205+H2305</b>	<b>20</b>	36,5	140	105	38	13	19	15	71	48	35	M10			<b>UK205+H2305</b>	<b>P205</b>	0,86
UKP205+HE2305	¾	17/16	5½	41/8	1½	½	¾	19/32	225/32	157/64	1,378	3/8	13300	7457	UK205+HE2305		
<b>UKP206+H2306</b>	<b>25</b>	42,9	165	121	48	17	20	17	84	53	38	M14			<b>UK206+H2306</b>	<b>P206</b>	1,28
UKP206+HS2306	7/8												18525	10735	UK206+HS2306		
UKP206+HE2306	1	111/16	6½	4¾	17/8	43/64	25/32	43/64	35/16	25/64	1,496	½			UK206+HE2306		
<b>UKP207+H2307</b>	<b>30</b>	47,6	167	127	48	17	20	18	93	59,5	43	M14			<b>UK207+H2307</b>	<b>P207</b>	1,67
UKP207+HS2307	11/8	17/8	69/16	5	17/8	43/64	25/32	45/64	321/32	211/32	1,693	½	24415	14630	UK207+HS2307		
<b>UKP208+H2308</b>	<b>35</b>	49,2	184	137	54	17	20	18	100	69	46	M14			<b>UK208+H2308</b>	<b>P208</b>	1,99
UKP208+HE2308	1¼												27645	16910	UK208+HE2308		
UKP208+HS2308	13/8	115/16	7¼	513/32	21/8	43/64	25/32	45/64	315/16	223/32	1,811	½			UK208+HS2308		
<b>UKP209+H2309</b>	<b>40</b>	54	190	146	54	17	20	20	106	69	50	M14			<b>UK209+H2309</b>		
UKP209+HA2309	17/16														UK209+HA2309		
UKP209+HE2309	1½	21/8	715/32	5¾	21/8	43/64	25/32	25/32	411/64	223/32	1,969	½	32395	20235	UK209+HE2309	<b>P209</b>	1,29
UKP209+HS2309	15/8														UK209+HS2309		
<b>UKP210+H2310</b>	<b>45</b>	57,2	206	159	60	20	23	21	113	74,5	55	M16			<b>UK210+H2310</b>		
UKP210+HS2310	15/8														UK210+HS2310		
UKP210+HA2310	111/16	2¼	81/8	6¼	23/8	25/32	29/32	53/64	429/64	215/16	2,165	5/8	33345	22135	UK210+HA2310	<b>P210</b>	2,83
UKP210+HE2310	1¾														UK210+HE2310		
<b>UKP211+H2311</b>	<b>50</b>	63,5	219	171	60	20	23	23	125	76	59	M16			<b>UK211+H2311</b>		
UKP211+HS2311	17/8														UK211+HS2311		
UKP211+HA2311	115/16	2½	85/8	647/64	23/8	25/32	29/32	29/32	459/64	3	2,323	5/8	41230	27930	UK211+HA2311	<b>P211</b>	3,46
UKP211+HE2311	2														UK211+HE2311		
<b>UKP212+H2312</b>	<b>55</b>	69,8	241	184	70	20	23	25	138	89	62	M16			<b>UK212+H2312</b>	<b>P212</b>	4,95
UKP212+HS2312	21/8	2¾	9½	7¼	2¾	25/32	29/32	63/64	57/16	3½	2,441	5/8	49780	34390	UK212+HS2312		
<b>UKP213+H2313</b>	<b>60</b>	76,2	265	203	70	25	28	27	150	89	65	M20			<b>UK213+H2313</b>		
UKP213+HA2313	23/16														UK213+HA2313		
UKP213+HE2313	2¼	3	107/16	8	2¾	63/64	13/32	11/16	529/32	3½	2,559	¾	54340	38095	UK213+HE2313	<b>P213</b>	5,06
UKP213+HS2313	23/8														UK213+HS2313		
<b>UKP215+H2315</b>	<b>65</b>	82,6	275	217	74	25	28	28	162	-	73	M20			<b>UK215+H2315</b>		
UKP215+HA2315	27/16														UK215+HA2315		
UKP215+HE2315	2½	3¼	1053/64	835/64	229/32	63/64	13/32	13/32	63/8	-	2,874	¾	64030	45885	UK215+HE2315	<b>P215</b>	7,27
<b>UKP216+H2316</b>	<b>70</b>	88,9	292	232	78	25	28	30	174	-	78	M20			<b>UK216+H2316</b>		
UKP216+HA2316	211/16														UK216+HA2316		
UKP216+HE2316	2¾	3½	11½	91/8	31/16	63/64	13/32	13/16	627/32	-	3,071	¾	69065	50350	UK216+HE2316	<b>P216</b>	8,36
<b>UKP217+H2317</b>	<b>75</b>	95,2	310	247	83	25	28	32	185	-	82	M20			<b>UK217+H2317</b>		
UKP217+HA2317	215/16														UK217+HA2317		
UKP217+HE2317	3	3¾	1213/64	923/32	317/64	63/64	13/32	1¼	79/32	-	3,228	¾	79800	58805	UK217+HE2317	<b>P217</b>	10,23
<b>UKP218+H2318</b>	<b>80</b>	101,6	327	262	88	27	30	33	198	-	86	M22			<b>UK218+H2318</b>	<b>P218</b>	12,34
UKP218+HA2318	33/16	4	127/8	105/16	315/32	11/16	13/16	119/64	751/64	-	3,386	7/8	91295	67925	UK218+HA2318		

Bussole HA; HE; HS con filettatura in pollici  
Inch dimension adapter sleeves HA; HE; HS

DOWNLOAD OUR CATALOG - SCARICA IL NOSTRO CATALOGO

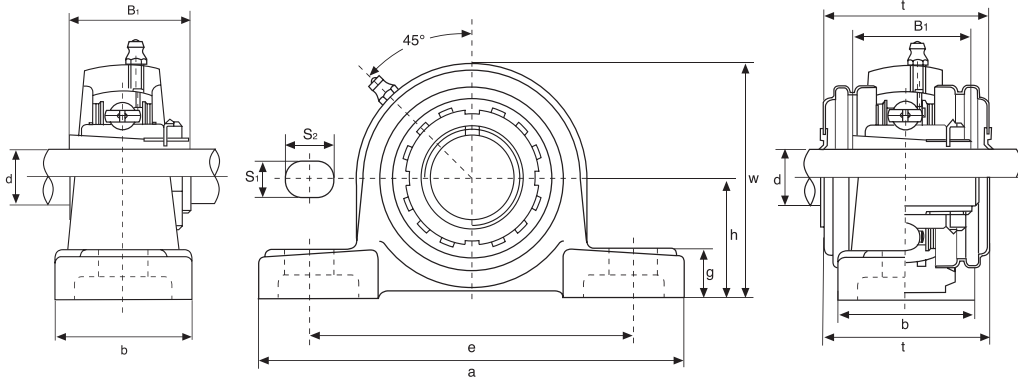


ООО "Технодрайв" тел.: 8(863) 223-20-99

email: info@technodrive.net

http://technodrive.pro

# BEARING UNITS WITH ADAPTER SLEEVE SUPPORTI RITTI CON BUSSOLA



Tipo Type	Dimensioni - Dimensions										Bull. fiss. Bolt Size	Coefficients di carico (N) Load ratings (N)		Cuscinetto Bearing	Supporto Housing	Peso Weight kg
	d	h	a	e	b	S <sub>1</sub>	S <sub>2</sub>	g	w	B <sub>1</sub>		Dinamico C Dynamic C	Statico C <sub>0</sub> Static C <sub>0</sub>			
	mm/inch											mm/inch				
<b>UKP305+H2305</b> UCP305+HE2305	20 ¾	45 149/64	175 67/8	132 53/16	45 1¾	17 43/64	20 19/32	15 25/32	85 311/32	35 1,378	M14 ½	20140	10355	<b>UK305+H2305</b> UK305+HE2305	<b>P305</b>	1,7
<b>UKP306+H2306</b> UKP306+HS2306 UKP306+HE2306	25 7/8 1	50 131/32	180 73/32	140 5½	50 131/32	17 43/64	20 25/32	18 23/32	95 3¾	38 1,496	M14 ½	25365	14250	<b>UK306+H2306</b> UK306+HS2306 UK306+HE2306	<b>P306</b>	2,3
<b>UKP307+H2307</b> UKP307+HS2307	30 11/8	56 213/64	210 89/32	160 65/16	56 27/32	17 43/64	25 63/64	20 25/32	106 43/16	43 1,693	M14 ½	31730	18335	<b>UK307+H2307</b> UK307+HS2307	<b>P307</b>	3,0
<b>UKP308+H2308</b> UKP308+HE2308 UKP308+HS2308	35 1¼ 13/8	60 223/64	220 821/32	170 611/16	60 23/8	17 43/64	27 11/16	22 7/8	116 49/16	46 1,811	M16 5/8	38665	22800	<b>UK308+H2308</b> UK308+HE2308 UK308+HS2308	<b>P308</b>	3,8
<b>UKP309+H2309</b> UKP309+HA2309 UKP309+HE2309 UKP309+HS2309	40 17/16 1½ 15/8	67 141/64	245 921/32	190 715/32	67 25/8	20 25/32	30 13/16	24 15/16	129 53/32	50 1,969	M16 5/8	46455	28025	<b>UK309+H2309</b> UK309+HA2309 UK309+HE2309 UK309+HS2309	<b>P309</b>	5,0
<b>UKP310+H2310</b> UKP310+HS2310 UKP310+HA2310 UKP310+HE2310	45 15/8 111/16 1¾	75 261/64	275 1013/16	212 811/32	75 215/16	20 25/32	35 13/8	27 11/16	143 55/8	55 2,165	M16 5/8	58900	36385	<b>UK310+H2310</b> UK310+HS2310 UK310+HA2310 UK310+HE2310	<b>P310</b>	6,7
<b>UKP311+H2311</b> UKP311+HS2311 UKP311+HA2311 UKP311+HE2311	50 17/8 115/16 2	80 35/32	310 127/32	236 99/32	80 35/32	20 25/32	38 1½	30 13/16	154 61/16	59 2,323	M16 5/8	68020	42750	<b>UK311+H2311</b> UK311+HS2311 UK311+HA2311 UK311+HE2311	<b>P311</b>	8,1
<b>UKP312+H2312</b> UKP312+HS2312	55 21/8	85 311/32	330 12	250 927/32	85 311/32	25 63/64	38 1½	32 1¼	165 6½	62 2,441	M20 ¾	77805	49590	<b>UK312+H2312</b> UK312+HS2312	<b>P312</b>	9,4
<b>UKP313+H2313</b> UKP313+HA2313 UKP313+HE2313 UKP313+HS2313	60 23/16 2¼ 23/8	90 335/64	340 133/8	260 10¼	90 317/32	25 63/64	38 1½	33 15/16	176 615/16	65 2,559	M20 ¾	88065	56905	<b>UK313+H2313</b> UK313+HA2313 UK313+HE2313 UK313+HS2313	<b>P313</b>	10,8
<b>UKP315+H2315</b> UKP315+HA2315 UKP315+HE2315	65 27/16 2½	100 315/16	380 1431/32	290 1113/32	100 315/16	27 11/16	40 19/18	35 13/8	198 725/32	73 2,874	M22 7/8	107350	73340	<b>UK315+H2315</b> UK315+HA2315 UK315+HE2315	<b>P315</b>	14,9
<b>UKP316+H2316</b> UKP316+HA2316 UKP316+HE2316	70 211/16 2¾	106 411/64	400 15¾	300 1113/16	110 411/32	27 11/16	40 19/16	40 19/16	210 89/32	78 3,071	M22 7/8	116850	82365	<b>UK316+H2316</b> UK316+HA2316 UK316+HE2316	<b>P316</b>	18,6
<b>UKP317+H2317</b> UKP317+HA2317 UKP317+HS2317	75 215/16 3	112 411/64	420 1617/32	320 1219/32	110 411/32	33 15/16	45 125/32	40 19/16	220 821/32	82 3,228	M27 1	126350	91960	<b>UK317+H2317</b> UK317+HA2317 UK317+HS2317	<b>P317</b>	20,2
<b>UKP318+H2318</b> UKP318+HA2318	80 33/16	118 441/64	430 1615/16	330 13	110 411/32	33 15/16	45 125/32	45 125/32	235 9¼	86 3,386	M27 1	135850	101650	<b>UK318+H2318</b> UK318+HA2318	<b>P318</b>	22,8
<b>UKP319+H2319</b> UKP319+HA2319	85 35/16	125 459/64	470 18½	360 143/16	120 423/32	36 113/32	50 131/32	45 125/32	250 927/32	90 3,543	M30 11/8	145350	113050	<b>UK319+H2319</b> UK319+HA2319	<b>P319</b>	29,3
<b>UKP320+H2320</b> UKP320+HA2320	90 37/16	140 533/64	490 199/32	380 1431/32	120 423/32	36 113/32	50 131/32	50 131/32	275 1053/64	97 3,814	M30 11/8	164350	133950	<b>UK320+H2320</b> UK320+HA2320	<b>P320</b>	34,8
<b>UKP322+H2322</b> UKP322+HA2322	100 315/16	150 529/32	520 2015/32	400 15¾	140 5½	40 19/16	55 25/32	55 25/32	300 1113/16	105 4,134	M33 1¼	194750	171000	<b>UK322+H2322</b> UK322+HA2322	<b>P322</b>	43,9
<b>UKP324+H2324</b> UKP324+HA2324	110 43/16	160 619/64	570 227/16	450 1723/32	140 5½	40 19/16	55 25/32	65 121/32	320 1219/32	112 4,410	M33 1¼	196650	175750	<b>UK324+H2324</b> UK324+HA2324	<b>P324</b>	55,7
<b>UKP326+H2326</b> UKP326+HA2326	115 47/16	180 73/32	600 235/8	480 1829/32	140 5½	40 19/16	55 25/32	75 261/64	335 1331/32	121 4,764	M33 1¼	217550	203300	<b>UK326+H2326</b> UK326+HA2326	<b>P326</b>	71,9
<b>UKP328+H2328</b> UKP328+HA2328	125 415/16	200 77/8	620 2413/32	500 1911/16	140 5½	40 19/16	55 25/32	75 261/64	390 1532/64	131 5,158	M33 1¼	240350	233700	<b>UK328+H2328</b> UK328+HA2328	<b>P328</b>	92,5

Bussole HA; HE; HS con filettatura in pollici  
Inch dimension adapter sleeves HA; HE; HS

DOWNLOAD OUR CATALOG - SCARICA IL NOSTRO CATALOGO



ООО "Технодрайв" тел.: 8(863) 223-20-99

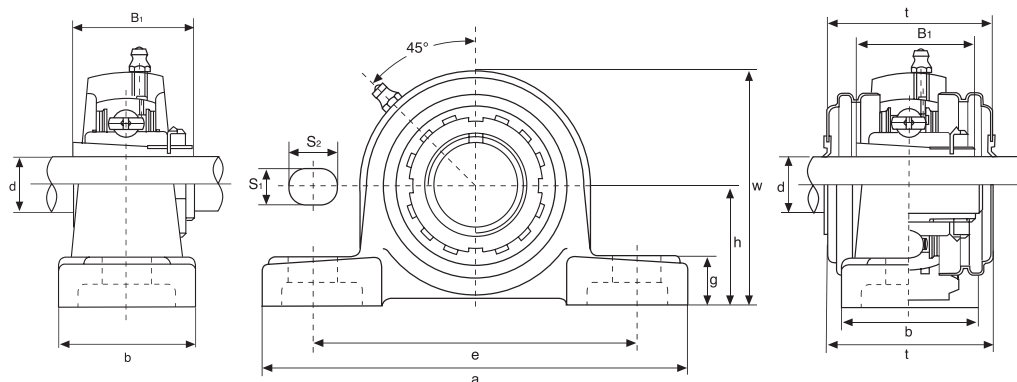
email: info@technodrive.net

http://technodrive.pro



Bearings & Components

# BEARING UNITS WITH ADAPTER SLEEVE SUPPORTI RITTI CON BUSSOLA



Tipo Type	Dimensioni - Dimensions										Bull. fiss. Bolt Size	Coefficienti di carico (N) Load ratings (N)		Cuscinetto Bearing	Supporto Housing	Peso Weight
	d	h	a	e	b	S <sub>1</sub>	S <sub>2</sub>	g	w	B <sub>1</sub>		Dinamico C Dynamic C	Statico C <sub>0</sub> Static C <sub>0</sub>			
	mm/inch											mm/inch				
<b>UKPX05+H2305</b> UKPX05+HE2305	20 ¾	44,4 1¾	159 6¼	119 411/16	51 2	17 43/64	20 25/32	18 311/32	85 1,378	35 ½	M14 ½	18525	10735	<b>UKX05+H2305</b> UKX05+HE2305	<b>PX05</b>	1,5
<b>UKPX06+H2306</b> UKPX06+HS2306 UKPX06+HE2306	25 7/8 1	47,6 17/8	175 67/8	127 5	57 2¼	17 43/64	20 25/32	20 25/32	93 321/32	38 1,496	M14 ½	24415	14630	<b>UKX06+H2306</b> UKX06+HS2306 UKX06+HE2306	<b>PX06</b>	2,1
<b>UKPX07+H2307</b> UKPX07+HS2307	30 11/8	54,0 21/8	203 8	144 521/32	57 2¼	17 43/64	20 25/32	21 13/16	105 41/8	43 1,693	M14 ½	27645	16910	<b>UKX07+H2307</b> UKX07+HS2307	<b>PX07</b>	2,7
<b>UKPX08+H2308</b> UKPX08+HE2308 UKPX08+HS2308	35 1¼ 13/8	58,7 25/16	222 8¾	156 65/32	67 25/8	20 25/32	23 29/32	26 11/32	111 43/8	46 1,811	M16 5/8	32395	20235	<b>UKX08+H2308</b> UKX08+HE2308 UKX08+HS2308	<b>PX08</b>	3,5
<b>UKPX09+H2309</b> UKPX09+HA2309 UKPX09+HE2309 UKPX09+HS2309	40 17/16 1½ 15/8	58,7 25/16	222 8¾	156 65/32	67 25/8	20 25/32	23 29/32	26 11/32	116 49/18	50 1,969	M16 5/8	33345	22135	<b>UKX09+H2309</b> UKX09+HA2309 UKX09+HE2309 UKX09+HS2309	<b>PX09</b>	3,7
<b>UKPX10+H2310</b> UKPX10+HS2310 UKPX10+HA2310 UKPX10+HE2310	45 15/8 111/16 1¾	63,5 2½	241 9½	171 647/64	73 27/8	20 25/32	23 29/32	27 11/16	126 431/32	55 2,165	M16 5/8	41230	27930	<b>UKX10+H2310</b> UKX10+HS2310 UKX10+HA2310 UKX10+HE2310	<b>PX10</b>	4,6
<b>UKPX11+H2311</b> UKPX11+HS2311 UKPX11+HA2311 UKPX11+HE2311	50 17/8 115/16 2	69,8 2¾	260 10¼	184 7¼	79 31/8	25 31/32	28 13/32	30 13/16	137 513/32	59 2,323	M20 ¾	49780	34390	<b>UKX11+H2311</b> UKX11+HS2311 UKX11+HA2311 UKX11+HE2311	<b>PX11</b>	6,2
<b>UKPX12+H2312</b> UKPX12+HS2312	55 21/8	76,2 3	286 11¼	203 8	83 39/32	25 63/64	28 13/32	33 15/16	151 2,441	62 ¾	M20 ¾	54340	38095	<b>UKX12+H2312</b> UKX12+HS2312	<b>PX12</b>	7,5
<b>UKPX13+H2313</b> UKPX13+HA2313 UKPX13+HE2313 UKPX13+HS2313	60 23/16 2¼ 23/8	76,2 3	286 11¼	203 8	83 39/32	25 63/64	28 13/32	33 15/16	154 61/16	65 2,559	M20 ¾	59090	41895	<b>UKX13+H2313</b> UKX13+HA2313 UKX13+HE2313 UKX13+HS2313	<b>PX13</b>	7,8
<b>UKPX15+H2315</b> UKPX15+HA2315 UKPX15+HS2315	65 27/16 2½	88,9 3½	330 13	229 91/32	89 3½	27 11/16	30 13/16	35 13/8	175 67/8	73 2,874	M22 7/8	69065	50350	<b>UKX15+H2315</b> UKX15+HA2315 UKX15+HS2315	<b>PX15</b>	10,5
<b>UKPX16+H2316</b> UKPX16+HA2316 UKPX16+HS2316	70 211/16 2¾	101,6 4	381 15	283 115/32	102 41/32	27 11/16	30 13/16	40 19/16	194 75/8	78 3,071	M22 7/8	79800	58805	<b>UKX16+H2316</b> UKX16+HA2316 UKX16+HS2316	<b>PX16</b>	15,4
<b>UKPX17+H2317</b> UKPX17+HA2317 UKPX17+HE2317	75 215/16 3	101,6 4	381 15	283 115/32	102 41/32	27 11/16	30 13/16	40 19/16	200 77/8	82 3,228	M22 7/8	91295	67925	<b>UKX17+H2317</b> UKX17+HA2317 UKX17+HE2317	<b>PX17</b>	15,8
<b>UKPX18+H2318</b> UKPX18+HA2318	80 33/16	101,6 4	381 15	283 115/32	111 43/8	27 11/16	30 13/16	40 19/16	206 81/8	86 3,386	M22 7/8	103550	77805	<b>UKX18+H2318</b> UKX18+HA2318	<b>PX18</b>	18,6
<b>UKPX20+H2320</b> UKPX20+HA2320	90 3½	127 5	432 17	337 139/32	121 4¾	33 15/16	36 113/32	45 125/32	244 95/8	97 3,814	M27 11/16	126350	99750	<b>UKX20+H2320</b> UKX20+HA2320	<b>PX20</b>	29,3

Bussole HA; HE; HS con filettatura in pollici  
Inch dimension adapter sleeves HA; HE; HS

**DOWNLOAD OUR CATALOG - SCARICA IL NOSTRO CATALOGO**



ООО "Технодрайв" тел.: 8(863) 223-20-99

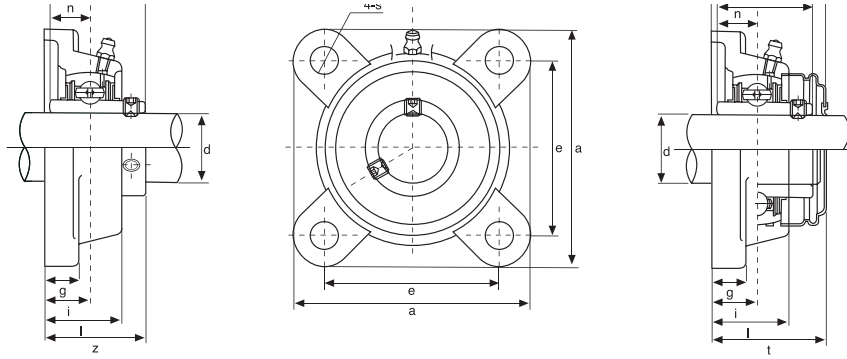
email: info@technodrive.net

http://technodrive.pro





## SQUARE BEARING UNITS SUPPORTI A FLANGIA QUADRA



Tipo Type	Dimensioni - Dimensions											Bull. fiss. Bolt Size	Coefficients di carico (N) Load ratings (N)		Cuscinetto Bearing	Supporto Housing	Peso Weight
	d	a	e	i	g	l	s	z	t	B	n		Dinamico C Dynamic C	Statico C <sub>0</sub> Static C <sub>0</sub>			
	mm/inch												mm/inch				
UCF201	12	86	64	15	12	25,5	12	33,3	37,5	31	12,7	M10			UC201	F204	0,60
UCF201-8	1/2	33/8	233/64	19/32	15/32	1	15/32	15/16	131/64	1,2205	0,500	3/8	12160	6318	UC201-8	F204	0,59
UCF202	15	86	64	15	12	25,5	12	33,3	37,5	31	12,7	M10			UC202	F204	0,59
UCF202-9	9/16	33/8	233/64	19/32	15/32	1	15/32	15/16	131/64	1,2205	0,500	3/8	12160	6318	UC202-9	F204	0,59
UCF202-10	5/8	33/8	233/64	19/32	15/32	1	15/32	15/16	131/64	1,2205	0,500	3/8	12160	6318	UC202-10	F204	0,59
UCF203	17	86	64	15	12	25,5	12	33,3	37,5	31	12,7	M10			UC203	F204	0,58
UCF203-11	11/16	33/8	233/64	19/32	15/32	1	15/32	15/16	131/64	1,2205	0,500	3/8	12160	6318	UC203-11	F204	0,57
UCF204	20	86	64	15	12	25,5	12	33,3	37,5	31	12,7	M10			UC204	F204	0,56
UCF204-12	3/4	33/8	233/64	19/32	15/32	1	15/32	15/16	131/64	1,2205	0,500	3/8	12160	6318	UC204-12	F204	0,56
UCF205	25	95	70	16	14	27	12	35,8	40	34,1	14,3	M10			UC205	F205	0,80
UCF205-13	13/16	3 3/8	2 3/4	5/8	35/64	11/16	15/32	113/32	19/16	1,3425	0,563	3/8	13300	7457	UC205-13	F205	0,84
UCF205-14	7/8														UC205-14	F205	0,83
UCF205-15	15/16														UC205-15	F205	0,81
UCF205-16	1														UC205-16	F205	0,80
UCF206	30	108	83	18	14	31	12	40,2	44,5	38,1	15,9	M10			UC206	F206	1,12
UCF206-17	11/16														UC206-17	F206	1,15
UCF206-18	11/8	4 1/4	317/64	45/64	35/64	17/32	15/32	119/32	1 3/4	1,5000	0,626	3/8	18525	10735	UC206-18	F206	1,14
UCF206-19	13/15														UC206-19	F206	1,12
UCF206-20	1 1/4														UC206-20	F206	1,11
UCF207	35	117	92	19	16	34	14	44,4	48,5	42,9	17,5	M12			UC207	F207	1,46
UCF207-20	1 1/4														UC207-20	F207	1,52
UCF207-21	15/16	439/64	35/8	3/4	5/8	111/32	35/64	1 3/4	129/32	1,6890	0,689	7/16	24415	14630	UC207-21	F207	1,49
UCF207-22	13/8														UC207-22	F207	1,46
UCF207-23	17/16														UC207-23	F207	1,43
UCF208	40	130	102	21	16	36	16	51,2	55,5	49,2	19	M14			UC208	F208	1,84
UCF208-24	1 1/2	51/8	41/64	53/64	5/8	127/64	5/8	21/64	23/16	1,9370	0,748	1/2	27645	16910	UC208-24	F208	1,88
UCF208-25	19/16														UC208-25	F208	1,85
UCF209	45	137	105	22	18	38	16	52,2	56,5	49,2	19	M14			UC209	F209	2,15
UCF209-26	15/8														UC209-26	F209	2,25
UCF209-27	111/16	513/32	49/64	55/64	23/32	1 1/2	5/8	21/16	27/32	1,9370	0,748	1/2	32395	20235	UC209-27	F209	2,21
UCF209-28	1 3/4														UC209-28	F209	2,17
UCF210	50	143	111	22	18	40	16	54,6	59,5	51,6	19	M14			UC210	F210	2,42
UCF210-29	113/16														UC210-29	F210	2,54
UCF210-30	17/8	55/8	43/8	55/64	23/32	19/16	5/8	25/32	211/32	2,0315	0,748	1/2	33345	22135	UC210-30	F210	2,49
UCF210-31	115/16														UC210-31	F210	2,44
UCF210-32	2														UC210-32	F210	2,40
UCF211	55	162	130	25	20	43	19	58,4	63	55,6	22,2	M16			UC211	F211	3,31
UCF211-32	2														UC211-32	F211	3,46
UCF211-33	21/16	63/8	51/8	63/64	25/32	111/16	3/4	15/16	231/64	2,1890	0,874	5/8	41230	27930	UC211-33	F211	3,40
UCF211-34	21/8														UC211-34	F211	3,35
UCF211-35	23/16														UC211-35	F211	3,29
UCF212	60	175	143	29	20	48	19	68,7	73,5	65,1	25,4	M16			UC212	F212	4,28
UCF212-36	2 1/4														UC212-36	F212	4,41
UCF212-37	25/16	657/64	55/8	19/64	25/32	157/64	3/4	245/64	257/64	2,5630	1,000	5/8	49780	34390	UC212-37	F212	4,33
UCF212-38	23/8														UC212-38	F212	4,26
UCF212-39	27/16														UC212-39	F212	4,19
UCF213	65	187	149	30	22	50	19	69,7	74,5	65,1	25,4	M16			UC213	F213	4,99
UCF213-40	2 1/2														UC213-40	F213	5,08
UCF213-41	29/16	723/64	555/64	13/16	55/64	131/32	3/4	2 3/4	215/16	2,5630	1,000	5/8	54340	38095	UC213-41	F213	4,99
UCF214	70	193	152	31	22	54	19	75,4	81,5	74,6	30,2	M16			UC214	F214	5,85
UCF214-42	25/8														UC214-42	F214	6,06
UCF214-43	211/16	719/32	563/64	17/32	55/64	21/8	3/4	221/32	313/64	2,9370	1,189	5/8	59090	41895	UC214-43	F214	5,96
UCF214-44	2 3/4														UC214-44	F214	5,86
UCF215	75	200	159	34	22	56	19	78,5	83,5	77,8	33,3	M16			UC215	F215	6,91
UCF215-45	213/16														UC215-45	F215	7,16
UCF215-46	27/8	77/8	617/64	111/32	55/64	27/32	3/4	33/32	39/32	3,0630	1,311	5/8	64030	45885	UC215-46	F215	7,05
UCF215-47	215/16														UC215-47	F215	6,94
UCF215-48	3														UC215-48	F215	6,82
UCF216	80	208	165	34	22	58	23	83,3	88,5	82,6	33,3	M20			UC216	F216	7,50
UCF216-49	31/16														UC216-49	F216	7,68
UCF216-50	31/8	83/16	6 1/2	111/32	55/64	29/32	29/32	39/32	339/64	3,2520	1,311	3/4	69065	50350	UC216-50	F216	7,55
UCF216-51	33/16														UC216-51	F216	7,42
UCF217	85	220	175	36	24	63	23	87,6	92,6	85,7	34,1	M20			UC217	F217	9,66
UCF217-52	3 1/2														UC217-52	F217	9,88
UCF217-53	35/16	821/33	657/64	127/64	15/16	215/32	29/32	37/16	341/64	3,3740	1,343	3/4	79800	58805	UC217-53	F217	9,74
UCF217-55	37/16														UC217-55	F217	9,45
UCF218	90	235	187	40	24	68	23	96,3	101,5	96	39,7	M20			UC218	F218	12,06
UCF218-56	3 1/2	9 1/4	723/64	137/64	15/16	211/16	29/32	325/32	4	3,7795	1,5630	3/4	91295	67925	UC218-56	F218	12,17
UCF220	100	265	210	44	25	70	27	110	138	108	42	M12			UC220	F218	17,58
UCF220-64	101,6	265	210	44	25	70	27	110	138	108	42	M12	122,1	93	UC220-64	F218	17,58

DOWNLOAD OUR CATALOG - SCARICA IL NOSTRO CATALOGO



ООО "Технодрайв" тел.: 8(863) 223-20-99

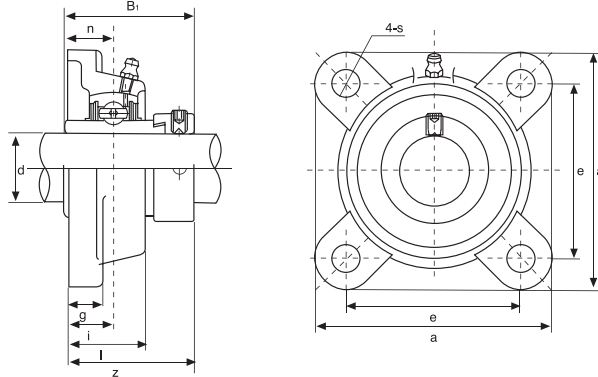
email: info@technodrive.net

http://technodrive.pro



Bearings & Components

## SQUARE BEARING UNITS SUPPORTI A FLANGIA QUADRA



Tipo Type	Dimensioni - Dimensions										Bull. fiss. Bolt Size	Coefficienti di carico (N) Load ratings (N)		Cuscinetto Bearing	Supporto Housing	Peso Weight
	d	a	e	i	g	l	s	z	B1	n		Dinamico C Dynamic Co	Statico Co Static Co			
	mm/inch											mm/inch				
<b>HCF204</b> HCF204-12	20 ¾	86 33/8	64 233/64	15 19/32	12 15/32	25,5 1	12 15/32	41,6 141/64	43,7 1,720	17,1 0,673	M10 3/8	12160	6318	<b>HC204</b> HC204-12	<b>F204</b>	0,63 0,63
<b>HCF205</b> HCF205-13 HCF205-14 HCF205-15 HCF205-16	25 13/16 7/8 15/16 1	95 3¾	70 2¾	16 5/8	14 35/64	27 11/16	12 15/32	42,9 111/16	44,4 1,748	17,5 0,689	M10 3/8	13300	7457	<b>HC205</b> HC205-13 HC205-14 HC205-15 HC205-16	<b>F205</b>	0,87 0,92 0,91 0,89 0,87
<b>HCF206</b> HCF206-17 HCF206-18 HCF206-19 HCF206-20	30 11/16 11/8 13/16 1¼	108 4¼	83 317/64	18 45/64	14 35/64	31 17/32	12 15/32	48,1 157/64	48,4 1,906	18,3 0,720	M10 3/8	18525	10735	<b>HC206</b> HC206-17 HC206-18 HC206-19 HC206-20	<b>F206</b>	1,25 1,30 1,27 1,25 1,24
<b>HCF207</b> HCF207-20 HCF207-21 HCF207-22 HCF207-23	35 1¼ 15/16 13/8 17/16	117 439/64	92 35/8	19 ¾	16 5/8	34 111/32	14 35/64	51,3 21/64	51,1 2,012	18,8 0,740	M12 7/16	24415	14630	<b>HC207</b> HC207-20 HC207-21 HC207-22 HC207-23	<b>F207</b>	1,58 1,65 1,61 1,58 1,55
<b>HCF208</b> HCF208-24 HCF208-25	40 1½ 19/16	130 51/8	102 41/64	21 53/64	16 5/8	36 127/32	16 5/8	55,9 213/64	56,3 2,217	21,4 0,843	M14 ½	27645	16910	<b>HC208</b> HC208-24 HC208-25	<b>F208</b>	1,99 2,04 2,00
<b>HCF209</b> HCF209-26 HCF209-27 HCF209-28	45 15/8 111/16 1¾	137 513/32	105 49/64	22 55/64	18 55/64	38 1½	16 5/8	56,9 215/64	56,3 2,217	21,4 0,843	M14 ½	32395	20235	<b>HC209</b> HC209-26 HC209-27 HC209-28	<b>F209</b>	2,32 2,43 2,38 2,34
<b>HCF210</b> HCF210-29 HCF210-30 HCF210-31 HCF210-32	50 113/16 17/8 115/16 2	143 55/8	111 43/8	22 55/64	18 55/64	40 19/16	16 5/8	60,1 23/8	62,7 2,469	24,6 0,969	M14 ½	33345	22135	<b>HC210</b> HC210-29 HC210-30 HC210-31 HC210-32	<b>F210</b>	2,61 2,76 2,70 2,64 2,58
<b>HCF211</b> HCF211-32 HCF211-33 HCF211-34 HCF211-35	55 2 22/16 21/8 23/16	162 63/8	130 51/8	25 63/64	20 25/32	43 111/16	19 ¾	68,6 245/64	71,4 2,811	27,8 1,094	M16 5/8	41230	27930	<b>HC211</b> HC211-32 HC211-33 HC211-34 HC211-35	<b>F211</b>	3,52 3,72 3,64 3,57 3,49
<b>HCF212</b> HCF212-36 HCF212-37 HCF212-38 HCF212-39	60 2¼ 25/16 23/8 27/16	175 657/64	143 55/8	29 19/64	20 25/32	48 157/64	19 ¾	75,8 263/64	77,8 3,063	31 1,220	M16 5/8	49780	34390	<b>HC212</b> HC212-36 HC212-37 HC212-38 HC212-39	<b>F212</b>	4,62 4,78 4,69 4,64 4,51
<b>HCF213</b> HCF213-40 HCF213-41	65 2½ 29/16	187 723/64	149 555/64	30 13/16	22 55/64	50 131/32	19 ¾	81,6 37/32	85,7 3,374	34,1 1,343	M16 5/8	54340	38095	<b>HC213</b> HC213-40 HC213-41	<b>F213</b>	5,55 5,65 5,54
<b>HCF214</b> HCF214-42 HCF214-43 HCF214-44	70 23/8 211/16 2¾	193 719/32	152 563/64	31 17/32	22 55/64	54 21/8	19 ¾	82,6 ¾	85,7 3,374	34,1 1,343	M16 5/8	59090	41895	<b>HC214</b> HC214-42 HC214-43 HC214-44	<b>F214</b>	6,35 6,59 6,48 6,36
<b>HCF215</b> HCF215-45 HCF215-46 HCF215-47 HCF215-48	75 213/16 27/8 215/16 3	200 77/8	159 617/64	34 111/32	22 55/64	56 27/32	19 ¾	88,8 ¾	92,1 3,626	37,3 1,426	M16 5/8	64030	45885	<b>HC215</b> HC215-45 HC215-46 HC215-47 HC215-48	<b>F215</b>	7,54 7,84 7,71 7,58 7,44

DOWNLOAD OUR CATALOG - SCARICA IL NOSTRO CATALOGO



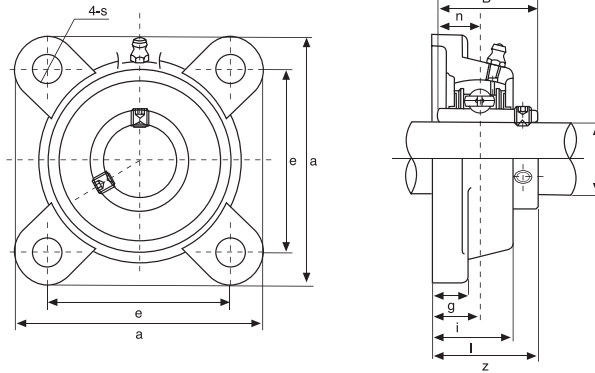
ООО "Технодрайв" тел.: 8(863) 223-20-99

email: info@technodrive.net

http://technodrive.pro



## SQUARE BEARING UNITS SUPPORTI A FLANGIA QUADRA



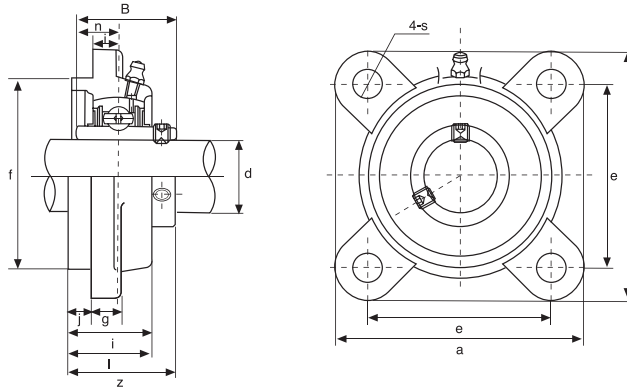
Tipo Type	Dimensioni - Dimensions										Bull. fiss. Bolt Size	Coefficients di carico (N) Load ratings (N)		Cuscinetto Bearing	Supporto Housing	Peso Weight kg
	d	a	e	i	g	l	s	z	B	n		Dinamico C Dynamic C	Statico C <sub>0</sub> Static C <sub>0</sub>			
	mm/inch															
<b>UCF305</b> UCF305-13 UCF305-14 UCF305-15 UCF305-16	<b>25</b> 13/16 7/8 15/16 1	110	80	16	13	29	16	39	38	15	M14	20140	10355	<b>UC305</b> UC305-13 UC305-14 UC305-15 UC305-16	<b>F305</b>	1,1
<b>UCF306</b> UCF306-17 UCF306-18 UCF306-19	<b>30</b> 11/16 11/8 13/16	125	95	18	15	32	16	44	43	17	M14			25365		
<b>UCF307</b> UCF307-20 UCF307-21 UCF307-22 UCF307-23	<b>35</b> 1 1/4 15/16 13/8 17/16	135	100	20	16	36	19	49	48	19	M16	31730	18335	<b>UC307</b> UC307-20 UC307-21 UC307-22 UC307-23	<b>F307</b>	2
<b>UCF308</b> UCF308-24 UCF308-25	<b>40</b> 1 1/2 19/16	150	112	23	17	40	19	56	52	19	M16			38665		
<b>UCF309</b> UCF309-26 UCF309-27 UCF309-28	<b>45</b> 15/8 111/16 1 3/4	160	125	25	18	44	19	60	57	22	M16	46455	28025	<b>UC309</b> UC309-26 UC309-27 UC309-28	<b>F309</b>	3,4
<b>UCF310</b> UCF310-29 UCF310-30 UCF310-31	<b>50</b> 113/16 17/8 115/16	175	132	28	19	48	23	67	61	22	M20			58900		
<b>UCF311</b> UCF311-32 UCF311-33 UCF311-34 UCF311-35	<b>55</b> 2 21/16 21/8 23/16	185	140	30	20	52	23	71	66	25	M20	68020	42750	<b>UC311</b> UC311-32 UC311-33 UC311-34 UC311-35	<b>F311</b>	5,5
<b>UCF312</b> UCF312-36 UCF312-37 UCF312-38 UCF312-39	<b>60</b> 2 1/4 25/16 23/8 27/16	195	150	33	22	56	23	78	71	26	M20			77805		
<b>UCF313</b> UCF313-40 UCF313-41	<b>65</b> 2 1/2 29/16	208	166	33	22	58	23	78	75	30	M20	88065	56905	<b>UC313</b> UC313-40 UC313-41	<b>F313</b>	7,9
<b>UCF314</b> UCF314-42 UCF314-43 UCF314-44	<b>70</b> 25/8 211/16 2 3/4	226	178	36	25	61	25	81	78	33	M22			98800		
<b>UCF315</b> UCF315-45 UCF315-46 UCF315-47 UCF315-48	<b>75</b> 213/16 27/8 215/16 3	236	184	39	25	66	25	89	82	32	M22	107350	73340	<b>UC315</b> UC315-45 UC315-46 UC315-47 UC315-48	<b>F315</b>	12
<b>UCF316</b> UCF316-49 UCF316-50 UCF316-51	<b>80</b> 31/16 31/8 33/16	250	196	38	27	68	31	90	86	34	M27			116850		
<b>UCF317</b> UCF317-52 UCF317-53 UCF317-55	<b>85</b> 3 3/4 35/16 37/16	260	204	44	27	74	31	100	96	40	M27	126350	91960	<b>UC317</b> UC317-52 UC317-53 UC317-55	<b>F317</b>	16
<b>UCF318</b> UCF318-55 UCF318-56	<b>90</b> 37/16 3 1/2	280	216	44	30	76	35	100	96	40	M30			135850		
<b>UCF319</b> UCF319-58 UCF319-59 UCF319-60	<b>95</b> 35/8 311/16 3 3/4	290	228	59	30	94	35	121	103	41	M30	145350	113050	<b>UC319</b> UC319-58 UC319-59 UC319-60	<b>F319</b>	22
<b>UCF320</b> UCF320-61 UCF320-62 UCF320-63 UCF320-64	<b>100</b> 313/16 37/8 315/16 4	310	242	59	32	94	38	125	108	42	M33			164350		
<b>UCF321</b> <b>UCF322</b> <b>UCF324</b> <b>UCF326</b> <b>UCF328</b>	<b>105</b> <b>110</b> <b>120</b> <b>130</b> <b>140</b>	310 340 370 410 450	242 266 290 320 350	59 60 65 65 75	32 35 40 45 55	94 96 110 115 125	38 41 41 41 41	127 131 140 146 161	- - - - -	44 46 51 54 59	M33 M36 M36 M36 M36	174800 194750 196650 217550 240350	145350 171000 175750 203300 233700	<b>UC321</b> <b>UC322</b> <b>UC324</b> <b>UC326</b> <b>UC328</b>	<b>F321</b> <b>F322</b> <b>F324</b> <b>F326</b> <b>F328</b>	25,6 34,7 47,2 62,7 87,0

DOWNLOAD OUR CATALOG - SCARICA IL NOSTRO CATALOGO





# SQUARE BEARING UNITS SUPPORTI A FLANGIA QUADRA



Tipo Type	Dimensioni - Dimensions												Bull. fiss. Bolt Size	Coefficients di carico (N) Load ratings (N)		Cuscinetto Bearing	Supporto Housing	Peso Weight												
	d	a	e	i	s	j	g	l	f	z	B	n		Dinamico C Dynamic C	Statico C <sub>0</sub> Static C <sub>0</sub>				kg											
	mm/inch													mm/inch																
<b>UCFS305</b> UCFS305-13 UCFS305-14 UCFS305-15 UCFS305-16	<b>25</b> 13/16 7/8 15/16 1	110	80	9	16	7	13	29	80	39	38	15	M14	20140	10355	<b>UC305</b> UC305-13 UC305-14 UC305-15 UC305-16	<b>FS305</b>	1,3												
<b>UCFS306</b> UCFS306-17 UCFS306-18 UCFS306-19	<b>30</b> 11/16 11/8 13/16	125	95	10	16	8	15	32	90	44	43	17	M14			25365			14250	<b>UC306</b> UC306-17 UC306-18 UC306-19	<b>FS306</b>	1,9								
<b>UCFS307</b> UCFS307-20 UCFS307-21 UCFS307-22 UCFS307-23	<b>35</b> 1 1/4 15/16 13/8 17/16	135	100	11	19	9	16	36	100	49	48	19	M16							31730			18335	<b>UC307</b> UC307-20 UC307-21 UC307-22 UC307-23	<b>FS307</b>	2,4				
<b>UCFS308</b> UCFS308-24 UCFS308-25	<b>40</b> 1 1/2 19/16	150	112	13	19	10	17	40	115	56	52	19	M16 5/8											38665			22800	<b>UC308</b> UC308-24 UC308-25	<b>FS308</b>	3,3
<b>UCFS309</b> UCFS309-26 UCFS309-27 UCFS309-28	<b>45</b> 15/8 111/16 1 3/4	160	125	14	19	11	18	44	125	60	57	22	M16			46455			28020		<b>UC309</b> UC309-26 UC309-27 UC309-28	<b>FS309</b>						4,0		
<b>UCFS310</b> UCFS310-29 UCFS310-30 UCFS310-31	<b>50</b> 113/16 17/8 115/16	175	132	16	23	12	19	48	140	67	61	22	M20	58900	36385		<b>UC310</b> UC310-29 UC310-30 UC310-31	<b>FS310</b>			5,3									
<b>UCFS311</b> UCFS311-32 UCFS311-33 UCFS311-34 UCFS311-35	<b>55</b> 2 21/16 21/8 23/16	185	140	17	23	13	20	52	150	71	66	26	M20				68020			42750			<b>UC311</b> UC311-32 UC311-33 UC311-34 UC311-35	<b>FS311</b>	6,2					
<b>UCFS312</b> UCFS312-36 UCFS312-37 UCFS312-38 UCFS312-39	<b>60</b> 2 1/4 25/16 23/8 27/16	195	150	19	23	14	22	56	160	78	71	25	M20			77805			49590			<b>UC312</b> UC312-36 UC312-37 UC312-38 UC312-39	<b>FS312</b>			7,2				
<b>UCFS313</b> UCFS313-40 UCFS313-41	<b>65</b> 2 1/2 29/16	208	166	15	23	18	22	58	175	78	75	30	M20									88065					56905	<b>UC313</b> UC313-40 UC313-41	<b>FS313</b>	8,9
<b>UCFS314</b> UCFS314-42 UCFS314-43 UCFS314-44	<b>70</b> 25/8 211/16 2 3/4	223	178	18	25	18	25	61	185	81	78	33	M20	98800	64790			<b>UC314</b> UC314-42 UC314-43 UC314-44			<b>FS314</b>							11		
<b>UCFS315</b> UCFS315-45 UCFS315-46 UCFS315-47 UCFS315-48	<b>75</b> 213/16 27/8 215/16 3	236	184	21	25	18	25	66	200	89	82	32	M22					107350												
<b>UCFS316</b> UCFS316-49 UCFS316-50 UCFS316-51	<b>80</b> 31/16 31/8 33/16	250	196	18	31	20	27	68	210	90	86	34	M27			116850	82365		<b>UC316</b> UC316-49 UC316-50 UC316-51	<b>FS316</b>		15								
<b>UCFS317</b> UCFS317-52 UCFS317-53 UCFS317-55	<b>85</b> 3/4 35/16 37/16	260	204	24	31	20	27	74	220	100	96	40	M27						126350				91960	<b>UC317</b> UC317-52 UC317-53 UC317-55	<b>FS317</b>	17				
<b>UCFS318</b> UCFS318-55 UCFS318-56	<b>90</b> 37/16 3 1/2	280	216	24	35	20	30	76	240	100	96	40	M30	135850	101650						<b>UC318</b> UC318-55 UC318-56			<b>FS318</b>			21			
<b>UCFS319</b> UCFS319-58 UCFS319-59 UCFS319-60	<b>95</b> 35/8 311/16 3 3/4	280	228	39	35	20	30	94	250	121	103	41	M30			145350	113050			<b>UC319</b> UC319-58 UC319-59 UC319-60	<b>FS319</b>	25								
<b>UCFS320</b> UCFS320-61 UCFS320-62 UCFS320-63 UCFS320-64	<b>100</b> 313/16 37/8 315/16 4	310	242	39	38	20	32	94	260	125	108	42	M33	164350	133950			<b>UC320</b> UC320-61 UC320-62 UC320-63 UC320-64		<b>FS320</b>				30						

DOWNLOAD OUR CATALOG - SCARICA IL NOSTRO CATALOGO



ООО "Технодрайв" тел.: 8(863) 223-20-99

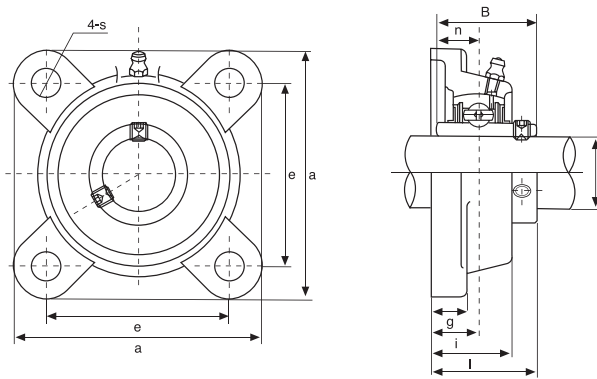
email: info@technodrive.net

http://technodrive.pro



Bearings & Components

## SQUARE BEARING UNITS SUPPORTI A FLANGIA QUADRA



Tipo Type	Dimensioni - Dimensions										Bull. fiss. Bolt Size	Coefficients di carico (N) Load ratings (N)		Cuscinetto Bearing	Supporto Housing	Peso Weight
	d	a	e	i	g	l	s	z	B	n		Dinamico C Dynamic C	Statico C <sub>0</sub> Static C <sub>0</sub>			
	mm/inch										mm/inch					
<b>UCFX05</b> UCFX05-13 UCFX05-14 UCFX05-15 UCFX05-16	<b>25</b> 13/16 7/8 15/16	108	83	18	13	30	12	40,2	38,1	15,9	M10	18525	10735	<b>UCX05</b> UCX05-13 UCX05-14 UCX05-15 UCX05-16	<b>FX05</b>	1,0
<b>UCFX06</b> UCFX06-17 UCFX06-18 UCFX06-19 UCFX06-20	<b>30</b> 11/16 11/8 13/16 1 1/4	117	92	19	14	34	16	44,4	42,9	17,5	M14	24415	14630	<b>UCX06</b> UCX06-17 UCX06-18 UCX06-19 UCX06-20	<b>FX06</b>	1,7
<b>UCFX07</b> UCFX07-21 UCFX07-22 UCFX07-23	<b>35</b> 15/16 13/8 17/16	130	102	21	14	38	16	51,2	49,2	19	M14	27645	16910	<b>UCX07</b> UCX07-21 UCX07-22 UCX07-23	<b>FX07</b>	2,1
<b>UCFX08</b> UCFX08-24 UCFX08-25	<b>40</b> 1 1/2 19/16	137	105	22	14	40	19	52,2	49,2	19	M16	32395	20235	<b>UCX08</b> UCX08-24 UCX08-25	<b>FX08</b>	2,4
<b>UCFX09</b> UCFX09-26 UCFX09-27 UCFX09-28 UCFX09-29	<b>45</b> 15/8 111/16 1 3/4 113/16	143	111	23	14	40	19	55,6	51,6	19	M16	33345	22135	<b>UCX09</b> UCX09-26 UCX09-27 UCX09-28 UCX09-29	<b>FX09</b>	2,5
<b>UCFX10</b> UCFX10-30 UCFX10-31 UCFX10-32	<b>50</b> 17/8 115/16 2	162	130	26	20	44	19	59,4	55,6	22,2	M16	41230	27930	<b>UCX10</b> UCX10-30 UCX10-31 UCX10-32	<b>FX10</b>	3,9
<b>UCFX11</b> UCFX11-33 UCFX11-34 UCFX11-35 UCFX11-36 UCFX11-37	<b>55</b> 21/16 21/8 23/16 2 1/4 25/16	175	143	29	20	49	19	68,7	65,1	25,4	M16	49780	34390	<b>UCX11</b> UCX11-33 UCX11-34 UCX11-35 UCX11-36 UCX11-37	<b>FX11</b>	4,9
<b>UCFX12</b> UCFX12-38 UCFX12-39	<b>60</b> 23/8 27/16	187	149	34	21	59	19	73,7	65,1	25,4	M16	54340	38095	<b>UCX12</b> UCX12-38 UCX12-39	<b>FX12</b>	5,2
<b>UCFX13</b> UCFX13-40 UCFX13-41	<b>65</b> 2 1/2 29/16	187	149	34	21	59	19	78,4	74,6	30,2	M16	59090	41895	<b>UCX13</b> UCX13-40 UCX13-41	<b>FX13</b>	5,3
<b>UCFX14</b> UCFX14-42 UCFX14-43 UCFX14-44	<b>70</b> 25/8 211/16 2 3/4	197	152	37	24	60	23	81,5	77,8	33,3	M20	64030	45885	<b>UCX14</b> UCX14-42 UCX14-43 UCX14-44	<b>FX14</b>	7,3
<b>UCFX15</b> UCFX15-45 UCFX15-46 UCFX15-47 UCFX15-48	<b>75</b> 213/16 27/8 215/16 3	197	152	40	24	68	23	89,3	82,6	33,3	M20	69065	50350	<b>UCX15</b> UCX15-45 UCX15-46 UCX15-47 UCX15-48	<b>FX15</b>	8,1
<b>UCFX16</b> UCFX16-49 UCFX16-50 UCFX16-51 UCFX16-52	<b>80</b> 31/16 31/8 33/16 3 1/4	214	171	40	24	70	23	91,6	85,7	34,1	M20	79800	58805	<b>UCX16</b> UCX16-49 UCX16-50 UCX16-51 UCX16-52	<b>FX16</b>	9,9
<b>UCFX17</b> UCFX17-53 UCFX17-55	<b>85</b> 35/16 37/16	214	171	40	24	70	23	93,3	96	39,7	M20	91295	67925	<b>UCX17</b> UCX17-53 UCX17-55	<b>FX17</b>	11
<b>UCFX18</b> UCFX18-56 UCFX18-57	<b>90</b> 37/16 3 1/2	214	171	45	24	76	23	106,1	104	42,9	M20	103550	77805	<b>UCX18</b> UCX18-56 UCX18-57	<b>FX18</b>	11
<b>UCFX20</b> UCFX20-58 UCFX20-59 UCFX20-60 UCFX20-61	<b>100</b> 313/16 37/8 315/16 4	268	211	59	31	97	31	127,3	117,5	49,2	M27	126350	99750	<b>UCX20</b> UCX20-58 UCX20-59 UCX20-60 UCX20-61	<b>FX20</b>	17

DOWNLOAD OUR CATALOG - SCARICA IL NOSTRO CATALOGO



ООО "Технодрайв" тел.: 8(863) 223-20-99

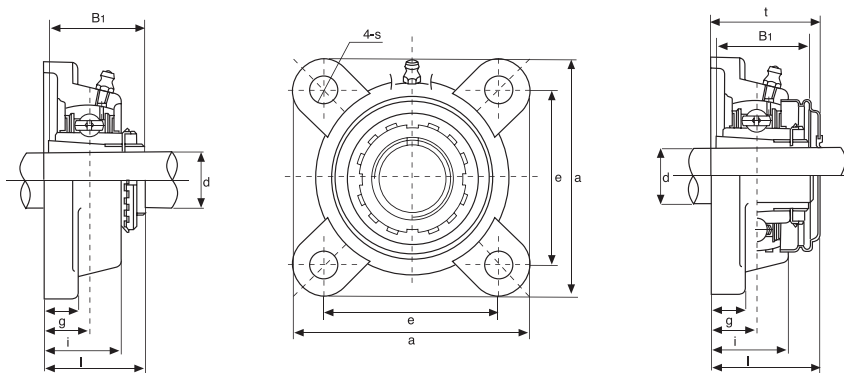
email: info@technodrive.net

http://technodrive.pro



Bearings & Components

## SQUARE BEARING UNITS WITH ADAPTER SLEEVE SUPPORTI A FLANGIA QUADRA CON BUSSOLA



Tipo Type	Dimensioni - Dimensions										Bull. fiss. Bolt Size	Coefficients di carico (N) Load ratings (N)		Cuscinetto Bearing	Supporto Housing	Peso Weight
	d	a	e	i	g	l	s	z	t	B <sub>1</sub>		Dinamico C Dynamic C	Statico C <sub>0</sub> Static C <sub>0</sub>			
	mm/inch										mm/inch					
<b>UKF205+H2305</b> UKF205+HE2305	20 ¾	95 3¾	70 2¾	16 5/8	14 35/64	27 11/16	12 15/32	35,5 125/64	40 19/16	35 1,378	M10 3/8	13300	7457	<b>UK205+H2305</b> UK205+HE2305	<b>F205</b>	0,85
<b>UKF206+H2306</b> UKF206+HS2306 UKF206+HE2306	25 7/8 1	108 4¼	83 317/64	18 45/64	14 35/64	31 17/32	12 15/32	39 117/32	44,5 1¾	38 1,496	M10 3/8	18525	10735	<b>UK206+H2306</b> UK206+HS2306 UK206+HE2306	<b>F206</b>	1,16
<b>UKF207+H2307</b> UKF207+HS2307	30 11/8	117 439/64	92 35/8	19 ¾	16 5/8	34 111/32	14 35/64	42,5 143/64	48,5 129/32	43 1,693	M12 7/16	24415	14630	<b>UK207+H2307</b> UK207+HS2307	<b>F207</b>	1,55
<b>UKF208+H2308</b> UKF208+HE2308 UKF208+HS2308	35 1¼ 13/8	130 51/8	102 41/64	21 53/64	16 5/8	36 127/64	16 5/8	46,5 153/64	55,5 23/16	46 1,811	M14 ½	27645	16910	<b>UK208+H2308</b> UK208+HE2308 UK208+HS2308	<b>F208</b>	1,94
<b>UKF209+H2309</b> UKF209+HA2309 UKF209+HE2309 UKF209+HS2309	40 17/16 1½ 15/8	137 513/32	105 49/64	22 55/64	18 23/32	38 1½	16 5/8	48,5 129/32	56,5 27/32	50 1,969	M14 ½	32395	20235	<b>UK209+H2309</b> UK209+HA2309 UK209+HE2309 UK209+HS2309	<b>F209</b>	2,30
<b>UKF210+H2310</b> UKF210+HS2310 UKF210+HA2310 UKF210+HE2310	45 15/8 111/16 1¾	143 55/8	111 43/8	22 55/64	18 23/32	40 19/16	16 5/8	50 131/32	59,5 211/32	55 2,165	M14 ½	33345	22135	<b>UK210+H2310</b> UK210+HS2310 UK210+HA2310 UK210+HE2310	<b>F210</b>	2,59
<b>UKF211+H2311</b> UKF211+HS2311 UKF211+HA2311 UKF211+HE2311	50 17/8 115/16 2	162 63/8	130 51/8	25 63/64	20 25/32	43 111/16	19 ¾	54,5 29/64	63 231/64	59 2,323	M16 5/8	41230	27930	<b>UK211+H2311</b> UK211+HS2311 UK211+HA2311 UK211+HE2311	<b>F211</b>	3,46
<b>UKF212+H2312</b> UKF212+HS2312	55 21/8	175 657/64	143 55/8	29 19/64	20 25/32	48 157/64	19 ¾	61 219/32	73,5 257/64	62 2,441	M16 5/8	49780	34390	<b>UK212+H2312</b> UK212+HS2312	<b>F212</b>	4,33
<b>UKF213+H2313</b> UKF213+HA2313 UKF213+HE2313 UKF213+HS2313	60 23/16 2¼ 23/8	187 723/64	149 555/64	30 13/16	22 55/64	50 131/32	19 ¾	64 233/64	74,5 215/16	65 2,559	M16 5/8	54340	38095	<b>UK213+H2313</b> UK213+HA2313 UK213+HE2313 UK213+HS2313	<b>F213</b>	4,90
<b>UKF215+H2315</b> UKF215+HA2315 UKF215+HE2315	65 27/16 2½	200 77/8	159 617/64	34 111/32	22 55/64	56 27/32	19 ¾	71 251/64	83,5 39/32	73 2,874	M16 5/8	64030	45885	<b>UK215+H2315</b> UK215+HA2315 UK215+HE2315	<b>F215</b>	7,02
<b>UKF216+H2316</b> UKF216+HA2316 UKF216+HE2316	70 211/16 2¾	208 83/16	165 6½	34 111/32	22 55/64	58 29/32	23 29/32	73,5 257/64	88,5 331/64	78 3,071	M20 ¾	69065	50350	<b>UK216+H2316</b> UK216+HA2316 UK216+HE2316	<b>F216</b>	7,76
<b>UKF217+H2317</b> UKF217+HA2317 UKF217+HE2317	75 215/16 3	220 821/32	175 657/64	36 127/64	24 15/16	63 215/32	23 29/32	77 31/32	92,6 341/64	82 3,228	M20 ¾	79800	58805	<b>UK217+H2317</b> UK217+HA2317 UK217+HE2317	<b>F217</b>	10,08
<b>UKF218+H2318</b> UKF218+HA2318	80 33/16	235 9¼	187 723/64	40 137/64	24 15/16	68 211/16	23 29/32	81,5 313/64	101,5 4	86 3,386	M20 ¾	91295	67925	<b>UK218+H2318</b> UK218+HA2318	<b>F218</b>	12,44

Bussole HA; HE; HS con filettatura in pollici  
Inch dimension adapter sleeves HA; HE; HS

DOWNLOAD OUR CATALOG - SCARICA IL NOSTRO CATALOGO



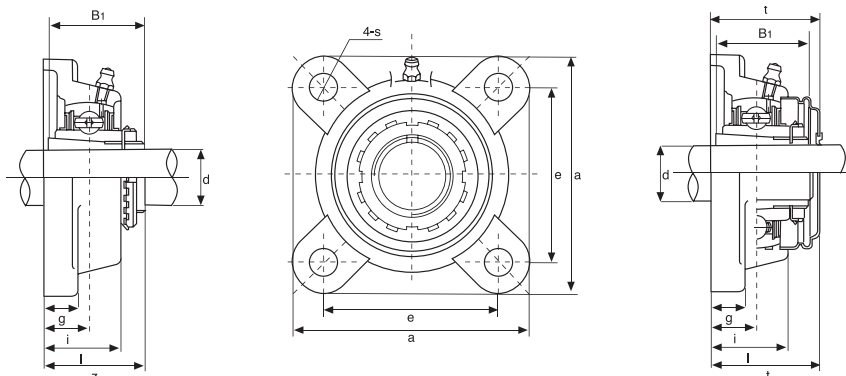
ООО "Технодрайв" тел.: 8(863) 223-20-99

email: info@technodrive.net

http://technodrive.pro



## SQUARE BEARING UNITS WITH ADAPTER SLEEVE SUPPORTI A FLANGIA QUADRA CON BUSSOLA



Tipo Type	Dimensioni - Dimensions									Bull. fiss. Bolt Size	Coefficienti di carico (N) Load ratings (N)		Cuscinetto Bearing	Supporto Housing	Peso Weight	
	d	a	e	i	g	l	s	z	B <sub>1</sub>		Dinamico C <sub>d</sub> Dynamic C	Statico C <sub>s</sub> Static C <sub>s</sub>				kg
	mm/inch										mm/inch					
UKF305+H2305 UKF305+HE2305	20 ¾	110 411/32	80 35/32	16 5/8	13 ½	29 15/32	16 5/8	37 129/64	35 1,378	M14 ½	20140	10355	UK305+H2305 UK305+HE2305	F305	1,4	
UKF306+H2306 UKF306+HS2306 UKF306+HE2306	25 7/8 1	125 429/32	95 347/64	18 45/64	15 19/32	32 1¼	16 5/8	40,5 219/32	38 1,496	M14 ½	25365	14250	UK306+H2306 UK306+HS2306 UK306+HE2306	F306	1,9	
UKF307+H2307 UKF307+HS2307	30 11/8	135 55/16	100 315/16	20 25/32	16 5/8	36 113/32	19 ¾	44,5 2¾	43 1,693	M16 5/8	31730	18335	UK307+H2307 UK307+HS2307	F307	2,3	
UKF308+H2308 UKF308+HE2308 UKF308+HS2308	35 1¼ 13/8	150 529/32	112 413/32	23 29/32	17 21/32	40 19/16	19 ¾	50 231/32	46 1,811	M16 5/8	38665	22800	UK308+H2308 UK308+HE2308 UK308+HS2308	F308	3,1	
UKF309+H2309 UKF309+HA2309 UKF309+HE2309 UKF309+HS2309	40 17/16 1½ 15/8	160 61/16	125 459/64	25 63/64	18 23/32	44 123/32	19 ¾	54,5 29/64	50 1,969	M16 5/8	46455	28025	UK309+H2309 UK309+HA2309 UK309+HE2309 UK309+HS2309	F309	4,1	
UKF310+H2310 UKF310+HS2310 UKF310+HA2310 UKF310+HE2310	45 15/8 111/16 1¾	175 67/8	132 513/64	28 17/64	19 ¾	48 17/8	23 29/32	60 223/64	55 2,165	M20 ¾	58900	36385	UK310+H2310 UK310+HS2310 UK310+HA2310 UK310+HE2310	F310	5,1	
UKF311+H2311 UKF311+HS2311 UKF311+HA2311 UKF311+HE2311	50 17/8 115/16 2	185 79/32	140 533/64	30 13/16	20 25/32	52 21/16	23 29/32	63,5 2½	59 2,323	M20 ¾	68020	42750	UK311+H2311 UK311+HS2311 UK311+HA2311 UK311+HE2311	F311	5,9	
UKF312+H2312 UKF312+HS2312	55 21/8	195 711/16	150 529/32	33 119/64	22 7/8	56 27/32	23 29/32	69 223/32	62 2,441	M20 ¾	77805	49590	UK312+H2312 UK312+HS2312	F312	6,8	
UKF313+H2313 UKF313+HA2313 UKF313+HE2313 UKF313+HS2313	60 23/16 2¼ 23/8	208 83/16	166 617/32	33 119/64	22 7/8	58 29/32	23 29/32	71 251/64	65 2,559	M20 ¾	88065	56905	UK313+H2313 UK313+HA2313 UK313+HE2313 UK313+HS2313	F313	7,9	
UKF315+H2315 UKF315+HA2315 UKF315+HE2315	65 27/16 2½	236 99/32	184 7¼	39 117/32	25 63/64	66 219/32	25 63/64	81 33/16	73 2,874	M22 7/8	107350	73340	UK315+H2315 UK315+HA2315 UK315+HE2315	F315	11,7	
UKF316+H2316 UKF316+HA2316 UKF316+HE2316	70 211/16 2¾	250 927/32	196 723/32	38 1½	27 11/16	68 211/16	31 17/32	83,5 39/32	78 3,071	M27 1	116850	82365	UK316+H2316 UK316+HA2316 UK316+HE2316	F316	12,9	
UKF317+H2317 UKF317+HA2317 UKF317+HS2317	75 215/16 3	260 10¼	204 81/32	44 147/64	27 11/16	74 229/32	31 35/8	92 35/8	82 3,228	M27 1	126350	91960	UK317+H2317 UK317+HA2317 UK317+HS2317	F317	15,2	
UKF318+H2318 UKF318+HA2318	80 33/16	280 111/32	216 8½	44 147/64	30 13/16	76 3	35 13/8	93,5 311/16	86 3,386	M30 11/8	135850	101650	UK318+H2318 UK318+HA2318	F318	19	
UKF319+H2319 UKF319+HA2319	85 35/16	290 1113/32	228 831/32	59 221/64	30 13/16	94 311/16	35 13/8	111 43/8	90 3,543	M30 11/8	145350	113050	UK319+H2319 UK319+HA2319	F319	21,9	
UKF320+H2320 UKF320+HA2320	90 37/16	310 127/32	242 917/32	59 221/64	32 1¼	94 311/16	38 1½	115 417/32	97 3,814	M33 1¼	164350	133950	UK320+H2320 UK320+HA2320	F320	25,4	
UKF322+H2322 UKF322+HA2322	100 315/16	340 133/8	266 1015/32	60 323/64	35 13/8	96 325/32	41 139/64	121 449/64	105 4,134	M36 13/8	194750	171000	UK322+H2322 UK322+HA2322	F322	35,2	
UKF324+H2324 UKF324+HA2324	110 43/16	370 165/32	290 1219/32	65 29/16	40 19/16	110 411/32	41 139/64	130 51/8	112 4,410	M36 13/8	196650	175750	UK324+H2324 UK324+HA2324	F324	47,6	
UKF326+H2326 UKF326+HA2326	115 47/16	410 165/32	320 1219/32	65 29/6	45 125/32	115 417/32	41 139/64	134 59/32	121 4,764	M36 13/8	217550	203300	UK326+H2326 UK326+HA2326	F326	65,3	
UKF328+H2328 UKF328+HA2328	125 415/16	450 1723/32	350 1325/32	75 261/64	55 25/32	125 429/32	41 139/64	148 553/64	131 5,158	M36 13/8	240350	233700	UK328+H2328 UK328+HA2328	F328	93,4	

Bussole HA; HE; HS con filettatura in pollici  
Inch dimension adapter sleeves HA; HE; HS

DOWNLOAD OUR CATALOG - SCARICA IL NOSTRO CATALOGO



ООО "Технодрайв" тел.: 8(863) 223-20-99

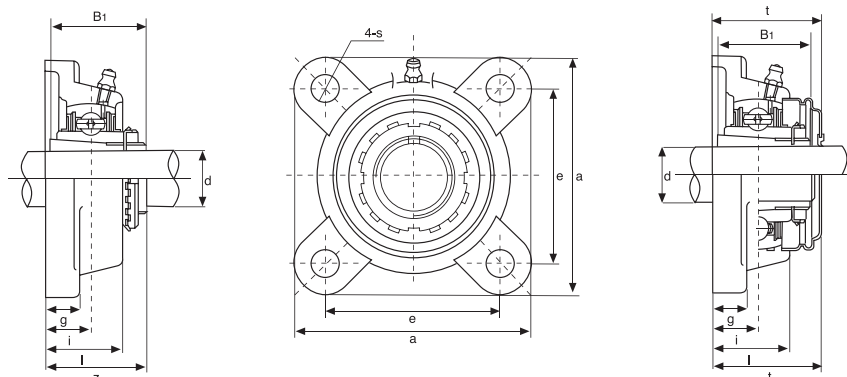
email: info@technodrive.net

http://technodrive.pro



Bearings & Components

## SQUARE BEARING UNITS WITH ADAPTER SLEEVE SUPPORTI A FLANGIA QUADRA CON BUSSOLA



Tipo Type	Dimensioni - Dimensions									Bull. fiss. Bolt Size	Coefficients di carico (N) Load ratings (N)		Cuscinetto Bearing	Supporto Housing	Peso Weight
	d	a	e	i	g	l	s	z	B <sub>1</sub>		Dinamico C Dynamic C	Statico C <sub>0</sub> Static C <sub>0</sub>			
	mm/inch										mm/inch				
<b>UKFX05+H2305</b>	<b>20</b>	108	83	18	13	30	12	39	35	M10	18525	10735	<b>UKX05+H2305</b>	<b>FX05</b>	1,2
UKFX05+HE2305	¾	4¼	317/64	45/64	½	13/16	15/32	117/32	1,378	3/8			UKX05+HE2305		
<b>UKFX06+H2306</b>	<b>25</b>	117	92	19	14	34	16	41,5	38	M14	24415	14630	<b>UKX06+H2306</b>	<b>FX06</b>	1,6
UKFX06+HS2306	7/8												UKX06+HS2306		
UKFX06+HE2306	1	439/64	35/8	¾	9/16	111/32	5/8	141/64	1,496	½			UKX06+HE2306		
<b>UKFX07+H2307</b>	<b>30</b>	130	102	21	14	38	16	45,5	43	M14	27645	16910	<b>UKX07+H2307</b>	<b>FX07</b>	2,0
UKFX07+HS2307	11/8												UKX07+HS2307		
<b>UKFX08+H2308</b>	<b>35</b>	137	105	22	14	40	19	47,5	46	M16	32395	20235	<b>UKX08+H2308</b>	<b>FX08</b>	2,3
UKFX08+HE2308	1¼												UKX08+HE2308		
UKFX08+HS2308	13/8	513/32	49/64	55/64	9/16	19/16	¾	17/8	1,811	5/8			UKX08+HS2308		
<b>UKFX09+H2309</b>	<b>40</b>	143	111	23	14	40	19	50	50	M16	33345	22135	<b>UKX09+H2309</b>	<b>FX09</b>	2,7
UKFX09+HA2309	15/8												UKX09+HA2309		
UKFX09+HE2309	1½	55/8	43/8	29/32	9/16	19/16	¾	131/32	1,969	5/8			UKX09+HE2309		
UKFX09+HS2309	15/8												UKX09+HS2309		
<b>UKFX10+H2310</b>	<b>45</b>	162	130	26	20	44	19	55,5	55	M16	41230	27930	<b>UKX10+H2310</b>	<b>FX10</b>	3,6
UKFX10+HS2310	15/8												UKX10+HS2310		
UKFX10+HA2310	111/16	63/8	51/8	11/32	25/32	123/32	¾	23/16	2,165	5/8			UKX10+HA2310		
UKFX10+HE2310	1¾												UKX10+HE2310		
<b>UKFX11+H2311</b>	<b>50</b>	175	143	29	20	49	19	60	59	M16	49780	34390	<b>UKX11+H2311</b>	<b>FX11</b>	4,6
UKFX11+HS2311	17/8												UKX11+HS2311		
UKFX11+HA2311	115/16	657/64	55/8	19/64	25/32	115/16	¾	223/64	2,323	5/8			UKX11+HA2311		
UKFX11+HE2311	2												UKX11+HE2311		
<b>UKFX12+H2312</b>	<b>55</b>	187	149	34	21	59	19	67	62	M16	54340	38095	<b>UKX12+H2312</b>	<b>FX12</b>	5,5
UKFX12+HS2312	21/8	723/64	555/64	111/32	13/16	25/16	¾	241/64	2,441	5/8			UKX12+HS2312		
<b>UKFX13+H2313</b>	<b>60</b>	187	149	34	21	59	19	68	65	M16	59090	41895	<b>UKX13+H2313</b>	<b>FX13</b>	6,0
UKFX13+HA2313	23/16												UKX13+HA2313		
UKFX13+HE2313	2¼	723/64	555/64	111/32	13/16	25/16	¾	211/16	2,559	5/8			UKX13+HE2313		
UKFX13+HS2313	23/8												UKX13+HS2313		
<b>UKFX15+H2315</b>	<b>65</b>	197	152	40	24	68	23	77,5	73	M20	69065	50350	<b>UKX15+H2315</b>	<b>FX15</b>	8,1
UKFX15+HA2315	27/16												UKX15+HA2315		
UKFX15+HS2315	2½	7¾	563/64	137/64	15/16	211/16	29/32	23/64	2,874	¾			UKX15+HS2315		
<b>UKFX16+H2316</b>	<b>70</b>	214	171	40	24	70	23	80	78	M20	79800	58805	<b>UKX16+H2316</b>	<b>FX16</b>	9,5
UKFX16+HA2316	211/16												UKX16+HA2316		
UKFX16+HS2316	2¾	87/16	647/64	137/64	15/16	2¾	29/32	35/32	3,071	¾			UKX16+HS2316		
<b>UKFX17+H2317</b>	<b>75</b>	214	171	40	24	70	23	81,5	82	M20	91295	67925	<b>UKX17+H2317</b>	<b>FX17</b>	10,4
UKFX17+HA2317	215/16												UKX17+HA2317		
UKFX17+HE2317	3	87/16	647/64	137/64	15/16	2¾	29/32	3,228	3¾	¾			UKX17+HE2317		
<b>UKFX18+H2318</b>	<b>80</b>	214	171	45	24	76	23	88	86	M20	103550	77805	<b>UKX18+H2318</b>	<b>FX18</b>	11,4
UKFX18+HA2318	33/16	87/16	647/64	149/64	15/16	3	29/32	315/32	3,386	¾			UKX18+HA2318		
<b>UKFX20+H2320</b>	<b>90</b>	268	211	59	31	97	31	106	97	M27	126350	99750	<b>UKX20+H2320</b>	<b>FX20</b>	18,4
UKFX20+HA2330	3½	109/16	85/16	221/64	17/32	313/13	17/32	43/64	3,814	1			UKX20+HA2330		

Bussolle HA; HE; HS con filettatura in pollici  
Inch dimension adapter sleeves HA; HE; HS

DOWNLOAD OUR CATALOG - SCARICA IL NOSTRO CATALOGO



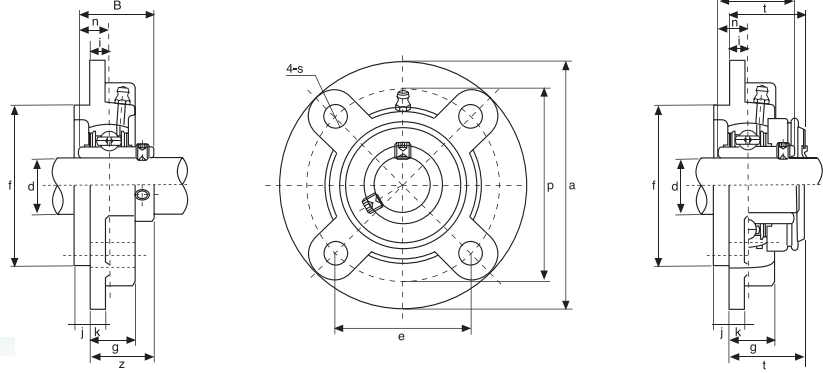
ООО "Технодрайв" тел.: 8(863) 223-20-99

email: info@technodrive.net

http://technodrive.pro



**CARTRIDGE BEARING UNITS  
SUPPORTI A FLANGIA TONDA**



Tipo Type	Dimensioni - Dimensions													Bull. fiss. Bolt Size	Coefficients di carico (N) Load ratings (N)		Cuscinetto Bearing	Supporto Housing	Peso Weight		
	d	a	p	e	i	s	j	k	g	f	z	t	B		n	Dinamico C Dynamic C				Statico C <sub>0</sub> Static C <sub>0</sub>	kg
	mm/inch													mm/inch							
UCFC201	12	100	78	55,1	10	12	5	7	20,5	62	28,3	32,5	31	12,7	M10	12160	6318	UC201	FC204	0,73	
UCFC201-8	1/2	315/16	35/64	211/64	25/64	15/32	13/64	9/32	13/16	2,4409	11/8	19/32	1,2205	0,500	3/8			UC201-8		0,72	
UCFC202	15	100	78	55,1	10	12	5	7	20,5	62	28,3	32,5	31	12,7	M10	12160	6318	UC202	FC204	0,72	
UCFC202-9	9/16	315/16	35/64	211/64	25/64	15/32	13/64	9/32	13/16	2,4409	11/8	19/32	1,2205	0,500	3/8			UC202-9		0,72	
UCFC202-10	5/8	315/16	35/64	211/64	25/64	15/32	13/64	9/32	13/16	2,4409	11/8	19/32	1,2205	0,500	3/8			UC202-10		0,72	
UCFC203	17	100	78	55,1	10	12	5	7	20,5	62	28,3	32,5	31	12,7	M10	12160	6318	UC203	FC204	0,71	
UCFC203-11	11/16	315/16	35/64	211/64	25/64	15/32	13/64	9/32	13/16	2,4409	11/8	19/32	1,2205	0,500	3/8			UC203-11		0,70	
UCFC204	20	100	78	55,1	10	12	5	7	20,5	62	28,3	32,5	31	12,7	M10	12160	6318	UC204	FC204	0,69	
UCFC204-12	3/4	315/16	35/64	211/64	25/64	15/32	13/64	9/32	13/16	2,4409	11/8	19/32	1,2205	0,500	3/8			UC204-12		0,69	
UCFC205	25	115	90	63,6	10	12	6	7	21	70	29,8	34	34,1	14,3	M10			UC205		1,00	
UCFC205-13	13/16																	UC205-13		1,04	
UCFC205-14	7/8	417/32	335/64	2 1/2	25/64	15/32	15/64	9/32	53/64	2,7559	111/64	111/32	1,3425	0,563	3/8	13300	7457	UC205-14	FC205	1,03	
UCFC205-15	15/16																	UC205-15		1,01	
UCFC205-16	1																	UC205-16		1,00	
UCFC206	30	125	100	70,7	10	12	8	8	23	80	32,2	36,5	38,1	15,9	M10			UC206		1,30	
UCFC206-17	11/16																	UC206-17		1,31	
UCFC206-18	11/8	459/64	315/16	225/32	25/64	15/32	5/16	5/16	29/32	3,1496	117/64	17/16	1,5000	0,626	3/8	18525	10735	UC206-18	FC206	1,32	
UCFC206-19	13/16																	UC206-19		1,30	
UCFC206-20	1 1/4																	UC206-20		1,29	
UCFC207	35	135	110	77,8	11	14	8	9	26	90	36,4	41	42,9	17,5	M12			UC207		1,81	
UCFC207-20	1 1/4																	UC207-20		1,87	
UCFC207-21	15/16	55/16	421/64	31/16	7/16	35/64	5/16	23/64	11/32	3,5433	17/16	15/8	1,6890	0,689	7/16	24415	14630	UC207-21	FC207	1,84	
UCFC207-22	13/8																	UC207-22		1,81	
UCFC207-23	17/16																	UC207-23		1,78	
UCFC208	40	145	120	84,8	11	14	10	9	26	100	41,2	45,5	49,2	19	M12			UC208		2,14	
UCFC208-24	1 1/2																	UC208-24		2,18	
UCFC208-25	19/16	545/64	423/32	311/32	7/16	35/64	25/64	23/84	11/32	3,9370	15/8	151/64	1,9370	0,748	7/16	27645	16910	UC208-25	FC208	2,15	
UCFC209	45	160	132	93,3	10	16	12	14	26	105	40,2	44,5	49,2	19	M14			UC209		2,68	
UCFC209-26	15/8																	UC209-26	FC209	2,78	
UCFC209-27	1 1/16	111/66	9/64	513/64	343/64	25/64	5/8	15/32	35/64	11/32	4,1339	137/64	1 3/4	1,9370	0,748	1/2	32395	20235	UC209-27		2,74
UCFC209-28	1 3/4																	UC209-28		2,70	
UCFC210	50	165	138	97,6	10	16	12	14	28	110	42,6	47,5	51,6	19	M14			UC210		2,90	
UCFC210-29	113/16																	UC210-29		3,02	
UCFC210-30	17/8	6 1/2	57/16	327/32	25/64	5/8	15/32	35/64	17/64	4,3307	11/16	17/8	2,0315	0,748	1/2	33345	22135	UC210-30	FC210	2,97	
UCFC210-31	115/16																	UC210-31		2,92	
UCFC210-32	2																	UC210-32		2,88	
UCFC211	55	185	150	106,1	13	19	12	15	31	125	46,4	51	55,6	22,2	M16			UC211		4,01	
UCFC211-32	2																	UC211-32		4,16	
UCFC211-33	21/16	79/32	529/32	43/16	33/64	3/4	15/32	19/32	17/32	4,9213	153/64	21/64	2,1890	0,874	5/8	41230	27930	UC211-33	FC211	4,10	
UCFC211-34	21/8																	UC211-34		4,05	
UCFC211-35	23/16																	UC211-35		3,99	
UCFC212	60	195	160	113,1	17	19	12	15	36	135	56,7	61,5	65,1	25,4	M16			UC212		4,94	
UCFC212-36	2 1/4																	UC212-36		5,07	
UCFC212-37	25/16	711/166	619/64	429/64	43/64	3/4	15/32	19/32	127/64	5,3150	215/64	227/64	2,5630	1,000	5/8	49780	34390	UC212-37	FC212	4,99	
UCFC212-38	23/8																	UC212-38		4,92	
UCFC212-39	27/16																	UC212-39		4,85	
UCFC213	65	205	170	120,2	16	19	14	15	36	145	55,7	60,5	65,1	25,4	M16			UC213		5,65	
UCFC213-40	2 1/2	85/64	611/16	447/64	5/8	3/4	35/64	19/32	127/64	5,5118	13/16	225/64	2,5630	1,000	5/8	54340	38095	UC213-40	FC213	5,74	
UCFC213-41	29/16																	UC213-41		5,65	
UCFC214	70	215	177	125,1	17	19	14	18	40	150	61,4	-	74,6	30,2	M16			UC214		6,95	
UCFC214-42	25/8																	UC214-42		7,16	
UCFC214-43	211/68	15/32	631/32	459/64	43/64	3/4	35/64	23/32	137/64	5,9055	113/32	-	2,9370	1,189	5/8	59090	41895	UC214-43	FC214	7,06	
UCFC214-44	2 3/4																	UC214-44		6,96	
UCFC215	75	220	184	130,1	18	19	16	18	40	160	62,5	-	77,8	33,3	M16			UC215		7,56	
UCFC215-45	213/16																	UC215-45		7,81	
UCFC215-46	27/8	831/32	7 1/4	51/8	23/32	3/4	5/8	23/32	137/64	6,2992	215/32	-	3,0630	1,311	5/8	64030	45885	UC215-46	FC215	7,70	
UCFC215-47	215/16																	UC215-47		7,59	
UCFC215-48	3																	UC215-48		7,47	
UCFC216	80	240	200	141,4	18	23	16	18	42	170	67,3	-	82,6	33,3	M20			UC216		9,15	
UCFC216-49	31/16																	UC216-49		9,28	
UCFC216-50	31/8	929/64	77/8	59/16	23/32	29/32	5/8	23/32	121/32	6,6929	221/32	-	3,2520	1,311	3/4	69065	50350	UC216-50	FC216	9,20	
UCFC216-51	33/16																	UC216-51		9,07	
UCFC217	85	250	208	147,1	18	23	18	20	45	180	69,6	-	85,7	34,1	M20			UC217		10,81	
UCFC217-52	3 3/4																	UC217-52	FC217	11,03	
UCFC217-53	35/16	927/32	83/16	551/64	23/32	29/32	23/32	25/32	125/32	7,0866	2 3/4	-	3,3740	1,343	3/4	79800	58805	UC217-53		10,89	
UCFC217-55	37/16																	UC217-55		10,60	
UCFC218	90	265	220	155,5	22	23	18	20	50	190	78,3	-	96	39,7	M20			UC218		12,96	
UCFC218-56	3 1/2	107/16	821/32	61/8	55/64	29/32	23/32	25/32	131/32	7,4803	33/32	-	3,7795	1,5630	3/4	91295	67925	UC218-56	FC218	13,07	

Disponibile in acciaio inox Supporto: AISI 304 - Cuscinetto: AISI 440C o 420C - Available stainless steel Housing: AISI 304 - Bearing: AISI 440C or 420C  
Disponibile su richiesta con cuscinetto SA (SAFC...) - Available under request with SA bearing (SAFC...)

[DOWNLOAD OUR CATALOG - SCARICA IL NOSTRO CATALOGO](#)



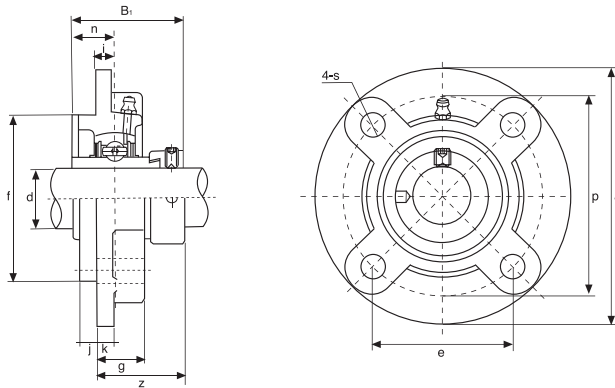
**ООО "Технодрайв" тел.: 8(863) 223-20-99**

**email: info@technodrive.net**

**http://technodrive.pro**



## CARTRIDGE BEARING UNITS SUPPORTI A FLANGIA TONDA



Tipo Type	Dimensioni - Dimensions												Bull. fiss. Bolt Size	Coefficienti di carico (N) Load ratings (N)		Cuscinetto Bearing	Supporto Housing	Peso Weight		
	d	a	p	e	i	s	j	k	g	f	z	B <sub>1</sub>		n	Dinamico C Dynamic C				Statico C <sub>0</sub> Static C <sub>0</sub>	kg
	mm/inch													mm/inch						
<b>HCFC204</b>	<b>12</b>	100	78	55,1	10	12	5	7	20,5	62	36,6	43,7	17,1	M10			<b>HC204</b>	<b>FC204</b>	0,76	
HCFC204-12	¾	315/16	35/64	211/64	25/64	15/32	13/64	9/32	13/16	2,4409	17/16	1,720	0,673	3/8	12160	6318	HC204-12		0,76	
<b>HCFC205</b>	<b>25</b>	115	90	63,6	10	12	6	7	21	70	36,9	44,4	17,5	M10			<b>HC205</b>		1,07	
HCFC205-13	13/16																HC205-13		1,12	
HCFC205-14	7/8																HC205-14	<b>FC205</b>	1,11	
HCFC205-15	15/16	417/32	335/64	2½	25/64	15/32	15/64	9/32	53/64	2,7559	129/64	1,748	0,689	3/8	13300	7457	HC205-15		1,09	
HCFC205-16	1																HC205-16		1,07	
<b>HCFC206</b>	<b>30</b>	125	100	70,7	10	12	8	8	23	80	40,1	48,4	18,3	M10			<b>HC206</b>		1,43	
HCFC206-17	11/16																HC206-17		1,48	
HCFC206-18	11/8	459/64	315/16	225/32	25/64	15/32	5/16	5/16	29/32	3,1496	137/64	1,906	0,720	3/8	18525	10735	HC206-18	<b>FC206</b>	1,45	
HCFC206-19	13/16																HC206-19		1,43	
HCFC206-20	1¼																HC206-20		1,40	
<b>HCFC207</b>	<b>35</b>	135	110	77,8	11	14	8	9	26	90	43,3	51,1	18,8	M12			<b>HC207</b>		1,93	
HCFC207-20	1¼																HC207-20		2,00	
HCFC207-21	15/16	15/16	421/64	31/16	7/16	35/64	5/16	23/64	11/32	3,5433	145/64	2,012	0,740	7/16	24415	14630	HC207-21	<b>FC207</b>	1,96	
HCFC207-22	13/8																HC207-22		1,93	
HCFC207-23	17/16																HC207-23		1,87	
<b>HCFC208</b>	<b>40</b>	145	120	84,8	11	14	10	9	26	100	45,9	56,3	21,4	M12			<b>HC208</b>		2,29	
HCFC208-24	1½	545/64	423/32	311/32	7/16	35/64	25/64	23/64	11/32	3,9370	113/16	2,217	0,843	7/16	27645	16910	HC208-24	<b>FC208</b>	2,34	
HCFC208-25	19/16																HC208-25		2,30	
<b>HCFC209</b>	<b>45</b>	160	132	93,3	10	16	12	14	26	105	44,9	56,3	21,4	M14			<b>HCF209</b>		2,85	
HCFC209-26	15/8																HC209-26		2,96	
HCFC209-27	111/16	619/64	513/64	343/64	25/64	5/8	15/32	35/64	11/32	4,1339	149/64	2,217	0,843	½	32395	20235	HC209-27	<b>FC209</b>	2,91	
HCFC209-28	1¾																HC209-28		2,87	
<b>HCFC210</b>	<b>50</b>	165	138	97,6	10	16	12	14	28	110	48,1	62,7	24,6	M14			<b>HCF210</b>		3,09	
HCFC210-29	113/16																HC210-29		3,24	
HCFC210-30	17/8	6½	57/16	327/32	25/64	5/8	15/32	35/94	17/64	4,3307	157/64	2,469	0,969	½	33345	22135	HC210-30	<b>FC210</b>	3,18	
HCFC210-31	115/16																HC210-31		3,12	
HCFC210-32	2																HC210-32		3,06	
<b>HCFC211</b>	<b>55</b>	185	150	106,1	13	19	12	15	31	125	56,6	71,4	27,8	M16			<b>HCF211</b>		4,22	
HCFC211-32	2																HC211-32		4,42	
HCFC211-33	22/16	79/32	529/32	43/16	33/64	¾	15/32	19/32	17/32	4,9213	215/64	2,811	1,094	5/8	41230	27930	HC211-33	<b>FC211</b>	4,34	
HCFC211-34	21/8																HC211-34		4,27	
HCFC211-35	23/16																HC211-35		4,19	
<b>HCFC212</b>	<b>60</b>	195	160	113,1	17	19	12	15	36	135	63,8	77,8	31	M16			<b>HC212</b>		5,28	
HCFC212-36	2¼																HC212-36		5,44	
HCFC212-37	25/16	711/16	619/64	429/64	43/64	¾	15/32	19/32	127/64	5,3150	233/64	3,063	1,220	5/8	49780	34390	HC212-37	<b>FC212</b>	5,35	
HCFC212-38	23/8																HC212-38		5,30	
HCFC212-39	27/16																HC212-39		5,17	
<b>HCFC213</b>	<b>65</b>	205	170	120,2	16	19	14	15	36	145	67,6	85,7	34,1	M16			<b>HC213</b>		6,21	
HCFC213-40	2½	85/64	611/16	447/64	5/8	¾	35/64	19/32	127/64	5,5118	221/32	3,374	1,343	5/8	54340	38095	HC213-40	<b>FC213</b>	6,31	
HCFC213-41	29/16																HC213-41		6,20	
<b>HCFC214</b>	<b>70</b>	215	177	125,1	17	19	14	18	40	150	68,6	85,7	34,1	M16			<b>HC214</b>		7,45	
HCFC214-42	23/8																HC214-42		7,69	
HCFC214-43	211/16	815/32	631/32	459/64	43/64	¾	35/64	23/32	137/64	5,9055	245/64	3,374	1,343	5/8	59090	41895	HC214-43	<b>FC214</b>	7,58	
HCFC214-44	2¾																HC214-44		7,46	
<b>HCFC215</b>	<b>75</b>	220	184	130,1	18	19	16	18	40	160	72,8	92,1	37,3	M16			<b>HC215</b>		8,19	
HCFC215-45	213/16																HC215-45		8,49	
HCFC215-46	27/8	821/32	7¼	51/8	23/32	¾	5/8	23/32	137/64	6,2992	27/8	3,626	1,469	5/8	64030	45885	HC215-46	<b>FC215</b>	8,36	
HCFC215-47	215/16																HC215-47		8,23	
HCFC215-48	3																HC215-48		8,09	

DOWNLOAD OUR CATALOG - SCARICA IL NOSTRO CATALOGO



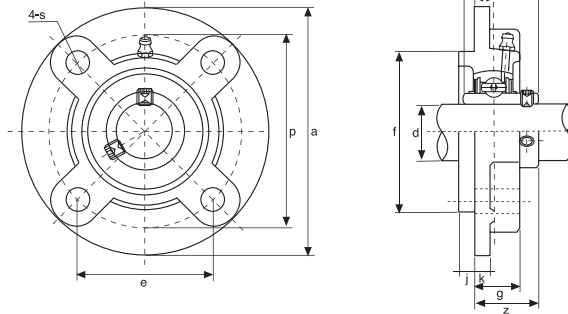
ООО "Технодрайв" тел.: 8(863) 223-20-99

email: info@technodrive.net

http://technodrive.pro



# CARTRIDGE BEARING UNITS SUPPORTI A FLANGIA TONDA



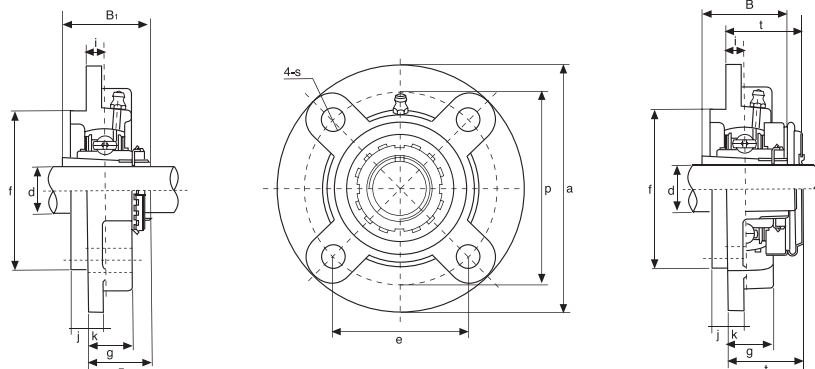
Tipo Type	Dimensioni - Dimensions														Bull. fiss. Bolt Size	Coefficients di carico (N) Load ratings (N)		Cuscinetto Bearing	Supporto Housing	Peso Weight
	d	a	p	e	i	s	j	k	g	f	z	B	n	Dinamico C Dynamic C		Statico C <sub>0</sub> Static C <sub>0</sub>	kg			
	mm/inch															mm/inch				
<b>UCFCX05</b> UCFCX05-13 UCFCX05-14 UCFCX05-15 UCFCX05-16	<b>25</b> 13/16 7/8 15/16 1	111	92	65	10	9,5	6	9,5	24	76	32,2	38,1	15,9	M8	18525	10735	<b>UCX05</b> UCX05-13 UCX05-14 UCX05-15 UCX05-16	<b>FCX05</b>	1,2	
<b>UCFCX06</b> UCFCX06-17 UCFCX06-18 UCFCX06-19 UCFCX06-20	<b>30</b> 11/16 11/8 13/16 1	127	105	74,2	8	12	9,5	9,5	22,5	85	33,4	42,9	17,5	M10	24415	14630	<b>UCX06</b> UCX06-17 UCX06-18 UCX06-19 UCX06-20	<b>FCX06</b>	1,5	
<b>UCFCX07</b> UCFCX07-21 UCFCX07-22 UCFCX07-23	<b>35</b> 15/16 13/8 17/16	133	111	78,5	9	12	11	11	26	92	39,2	49,2	19	M10	27645	16910	<b>UCX07</b> UCX07-21 UCX07-22 UCX07-23	<b>FCX07</b>	1,9	
<b>UCFCX08</b> UCFCX08-24 UCFCX08-25	<b>40</b> 1 1/2 19/16	133	111	78,5	9	12	11	11	26	92	39,2	49,2	19	M10	32395	20235	<b>UCX08</b> UCX08-24 UCX08-25	<b>FCX08</b>	2,0	
<b>UCFCX09</b> UCFCX09-26 UCFCX09-27 UCFCX09-28 UCFCX09-29	<b>45</b> 15/8 11/16 1 3/4 113/16	155	130	91,9	8	14	12	11	25	108	40,6	51,6	19	M12	33345	22135	<b>UCX09</b> UCX09-26 UCX09-27 UCX09-28 UCX09-29	<b>FCX09</b>	2,6	
<b>UCFCX10</b> UCFCX10-30 UCFCX10-31 UCFCX10-32	<b>50</b> 17/8 115/16 2	162	136	96,2	7	14	16	11	25	118	40,4	55,6	22,2	M12	41230	27930	<b>UCX10</b> UCX10-30 UCX10-31 UCX10-32	<b>FCX10</b>	3,2	
<b>UCFCX11</b> UCFCX11-33 UCFCX11-34 UCFCX11-35 UCFCX11-36 UCFCX11-37	<b>55</b> 21/16 21/8 23/16 2 1/4 25/16	180	152	107,5	4	16	22	13	26	127	43,7	65,1	25,4	M14	49780	34390	<b>UCX11</b> UCX11-33 UCX11-34 UCX11-35 UCX11-36 UCX11-37	<b>FCX11</b>	4,3	
<b>UCFCX12</b> UCFCX12-38 UCFCX12-39	<b>60</b> 23/8 27/16	194	165	116,7	11	16	20	14	33	140	50,7	65,1	25,4	M14	54340	38095	<b>UCX12</b> UCX12-38 UCX12-39	<b>FCX12</b>	5,3	
<b>UCFCX13</b> UCFCX13-40 UCFCX13-41	<b>65</b> 2 1/2 29/16	194	165	116,7	11	16	20	14	33	140	55,4	74,6	30,2	M14	59090	41895	<b>UCX13</b> UCX13-40 UCX13-41	<b>FCX13</b>	5,7	
<b>UCFCX14</b> UCFCX14-42 UCFCX14-43 UCFCX14-44	<b>70</b> 25/8 21/16 2 3/4	222	190	134,3	14	19	20	14	36	164	58,5	77,8	33,3	M16	64030	45885	<b>UCX14</b> UCX14-42 UCX14-43 UCX14-44	<b>FCX14</b>	7,3	
<b>UCFCX15</b> UCFCX15-45 UCFCX15-46 UCFCX15-47 UCFCX15-48	<b>75</b> 213/16 27/8 215/16 3	222	190	134,3	12	19	22	16	35	164	61,3	82,6	33,3	M16	69065	50350	<b>UCX15</b> UCX15-45 UCX15-46 UCX15-47 UCX15-48	<b>FCX15</b>	8	
<b>UCFCX16</b> UCFCX16-49 UCFCX16-50 UCFCX16-51 UCFCX16-52	<b>80</b> 31/16 31/8 33/16 3 1/4	260	219	154,8	10	23	25	19	36	186	61,6	85,7	34,1	M20	79800	58805	<b>UCX16</b> UCX16-49 UCX16-50 UCX16-51 UCX16-52	<b>FCX16</b>	11,3	
<b>UCFCX17</b> UCFCX17-53 UCFCX17-55	<b>85</b> 35/16 37/16	260	219	154,8	10	23	25	19	36	186	66,3	96	39,7	M20	91295	67925	<b>UCX17</b> UCX17-53 UCX17-55	<b>FCX17</b>	12,9	
<b>UCFCX18</b> UCFCX18-56 UCFCX18-57	<b>90</b> 37/16 3 1/2	260	219	154,8	12	23	28	19	43	186	73,1	104	42,9	M20	103550	77805	<b>UCX18</b> UCX18-56 UCX18-57	<b>FCX18</b>	12	
<b>UCFCX20</b> UCFCX20-58 UCFCX20-59 UCFCX20-60 UCFCX20-61	<b>100</b> 313/16 37/8 315/16 4	276	238	168,3	22	23	28	22	66	206	90,3	117,5	49,2	M20	126350	99750	<b>UCX20</b> UCX20-58 UCX20-59 UCX20-60 UCX20-61	<b>FCX20</b>	16	





Bearings & Components

## CARTRIDGE BEARING UNITS WITH ADAPTER SLEEVE SUPPORTI A FLANGIA TONDA CON BUSSOLA



Tipo Type	Dimensioni - Dimensions													Bull. fiss. Bolt Size	Coefficienti di carico (N) Load ratings (N)		Cuscinetto Bearing	Supporto Housing	Peso Weight
	d	a	p	e	i	s	j	k	g	f	z	t	B <sub>1</sub>		Dinamico C Dynamic C	Statico C <sub>0</sub> Static C <sub>0</sub>			
	mm/inch														mm/inch				
<b>UKFC205+H2305</b> UKFC205+HE2305	<b>20</b> 3/4	115 417/32	90 335/64	63,6 2 1/2	10 15/64	12 15/32	6 15/64	7 9/32	21 53/64	70 2,7559	29,5 15/32	34 111/32	35 1,378	M10 3/8	13300	7457	<b>UK205+H2305</b> UK205+HE2305	<b>FC205</b>	1,05
<b>UKFC206+H2306</b> UKFC206+HS2306 UKFC206+HE2306	<b>25</b> 7/8 1	125 459/64	100 315/16	70,7 225/32	10 25/64	12 15/32	8 5/16	8 5/16	23 29/32	80 3,1496	31 17/32	36,5 17/16	38 1,496	M10 3/8	18525	10735	<b>UK206+H2306</b> UK206+HS2306 UK206+HE2306	<b>FC206</b>	1,34
<b>UKFC207+H2307</b> UKFC207+HS2307	<b>30</b> 11/8	135 55/6	110 421/64	77,8 31/16	11 7/16	14 35/64	8 5/16	9 23/64	26 11/32	90 3,5433	33,5 15/16	41 15/8	43 1,693	M12 7/16	24415	14630	<b>UK207+H2307</b> UK207+HS2307	<b>FC207</b>	1,90
<b>UKFC208+H2308</b> UKFC208+HE2308 UKFC208+HS2308	<b>35</b> 1 1/4 13/8	145 545/64	120 423/32	84,8 311/32	11 7/16	14 35/64	10 25/64	9 23/64	26 11/32	100 3,9370	35,5 125/64	45,5 151/64	46 1,811	M12 7/16	27645	16910	<b>UK208+H2308</b> UK208+HE2308 UK208+HS2308	<b>FC208</b>	2,24
<b>UKFC209+H2309</b> UKFC209+HA2309 UKFC209+HE2309 UKFC209+HS2309	<b>40</b> 17/16 1 1/2 15/8	160 619/64	132 513/64	93,3 343/64	10 25/64	16 5/8	12 15/32	14 35/64	26 11/32	105 4,1339	36 127/64	44,5 1 3/4	50 1,969	M14 1/2	32395	20235	<b>UK209+H2309</b> UK209+HA2309 UK209+HE2309 UK209+HS2309	<b>PFC209</b>	2,83
<b>UKFC210+H2310</b> UKFC210+HS2310 UKFC210+HA2310 UKFC210+HE2310	<b>45</b> 15/8 111/16 1 3/4	165 61/2	138 57/16	97,6 327/32	10 25/64	16 5/8	12 15/32	14 35/64	28 17/64	110 4,3307	37,5 115/32	47,5 17/8	55 2,165	M14 1/2	33345	22135	<b>UK210+H2310</b> UK210+HS2310 UK210+HA2310 UK210+HE2310	<b>FC210</b>	3,07
<b>UKFC211+H2311</b> UKFC211+HS2311 UKFC211+HA2311 UKFC211+HE2311	<b>50</b> 17/8 115/16 2	185 79/32	150 529/32	106,1 43/16	13 33/64	19 3/4	12 15/32	15 19/32	31 17/32	125 4,9213	41,5 141/64	51 21/64	59 2,323	M16 5/8	41230	27930	<b>UK211+H2311</b> UK211+HS2311 UK211+HA2311 UK211+HE2311	<b>FC211</b>	4,16
<b>UKFC212+H2312</b> UKFC212+HS2312	<b>55</b> 21/8	195 711/16	160 619/64	113,1 429/64	17 43/64	19 3/4	12 15/32	15 19/32	36 127/64	135 5,3150	48 157/64	61,5 227/64	62 2,441	M16 5/8	49780	34390	<b>UK212+H2312</b> UK212+HS2312	<b>FC212</b>	4,99
<b>UKFC213+H2313</b> UKFC213+HA2313 UKFC213+HE2313 UKFC213+HS2313	<b>60</b> 23/16 2 1/4 23/8	205 85/64	170 611/16	120,2 447/64	16 5/8	19 3/4	14 35/64	15 19/32	36 127/64	145 5,5118	49 115/16	60,5 225/64	65 2,559	M16 5/8	54340	38095	<b>UK213+H2313</b> UK213+HA2313 UK213+HE2313 UK213+HS2313	<b>FC213</b>	5,56
<b>UKFC215+H2315</b> UKFC215+HA2315 UKFC215+HE2315	<b>65</b> 27/16 2 1/2	220 821/32	184 71/4	130,1 51/8	18 23/32	19 3/4	16 5/8	18 23/32	40 137/64	160 6,2992	53,5 27/64	- -	73 2,874	M16 5/8	64030	45885	<b>UK215+H2315</b> UK215+HA2315 UK215+HE2315	<b>FC215</b>	7,67
<b>UKFC216+H2316</b> UKFC216+HA2316 UKFC216+HE2316	<b>70</b> 211/16 2 3/4	240 929/64	200 77/8	141,4 59/16	18 23/32	23 29/32	16 5/8	18 23/32	42 121/32	170 6,6929	57 2 1/4	- -	78 3,071	M20 3/4	69065	50350	<b>UK216+H2316</b> UK216+HA2316 UK216+HE2316	<b>FC216</b>	9,41
<b>UKFC217+H2317</b> UKFC217+HA2317 UKFC217+HE2317	<b>75</b> 215/16 3	250 927/32	208 83/16	147,1 551/64	18 23/32	23 29/32	18 23/32	20 25/32	45 125/32	180 7,0866	59 221/64	- -	82 3,228	M20 3/4	79800	58805	<b>UK217+H2317</b> UK217+HA2317 UK217+HE2317	<b>FC217</b>	11,23
<b>UKFC218+H2318</b> UKFC218+HA2318	<b>80</b> 33/16	265 107/16	220 16821/32	155,5 61/8	22 55/64	23 29/32	18 23/32	20 25/32	50 131/32	190 7,4803	64,5 335/64	- -	86 3,386	M20 3/4	91295	67925	<b>UK218+H2318</b> UK218+HA2318	<b>FC218</b>	13,34

Bussole HA; HE; HS con filettatura in pollici  
Inch dimension adapter sleeves HA; HE; HS

DOWNLOAD OUR CATALOG - SCARICA IL NOSTRO CATALOGO



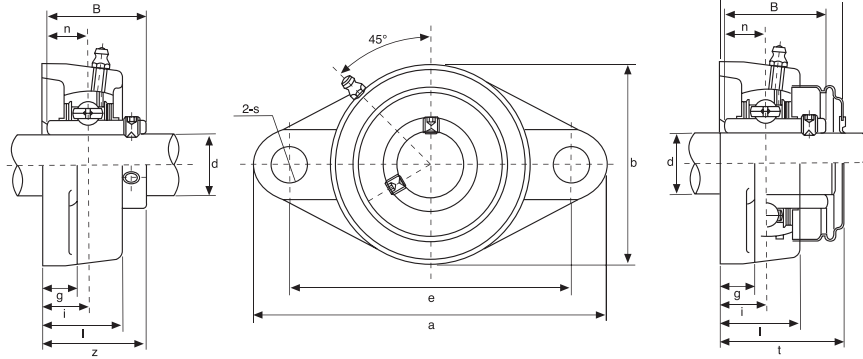
ООО "Технодрайв" тел.: 8(863) 223-20-99

email: info@technodrive.net

http://technodrive.pro



# OVAL BEARING UNITS SUPPORTI A FLANGIA OVALE



Tipo Type	Dimensioni - Dimensions												Bull. fis. Bolt Size	Coefficients di carico (N) Load ratings (N)		Cuscinetto Bearing	Supporto Housing	Peso Weight
	d	a	e	i	g	l	s	b	z	t	B	n		Dinamico C Dynamic C	Statico C <sub>0</sub> Static C <sub>0</sub>			
	mm/inch													mm/inch				
<b>UCFL201</b> UCFL201-8	12 ½	113 47/16	90 335/64	15 19/32	11 7/16	25,5 1	12 15/32	60 23/8	33,3 15/16	37,5 131/64	31 1,2205	12,7 0,500	M10 3/8	12160	6318	<b>UC201</b> UC201-8	<b>FL204</b>	0,45 0,44
<b>UCFL202</b> UCFL202-9 UCFL202-10	15 9/16 5/8	113 47/16	90 335/64	15 19/32	11 7/16	25,5 1	12 15/32	60 23/8	33,3 15/16	37,5 131/64	31 1,2205	12,7 0,500	M10 3/8	12160	6318	<b>UC202</b> UC202-9 UC202-10	<b>FL204</b>	0,44 0,44 0,44
<b>UCFL203</b> UCFL203-11	17 11/16	113 47/16	90 335/64	15 19/32	11 7/16	25,5 1	12 15/32	60 23/8	33,3 15/16	37,5 131/64	31 1,2205	12,7 0,500	M10 3/8	12160	6318	<b>UC203</b> UC203-11	<b>FL204</b>	0,43 0,42
<b>UCFL204</b> UCFL204-12	20 ¾	113 47/16	90 335/64	15 19/32	11 7/16	25,5 1	12 15/32	60 23/8	33,3 15/16	37,5 131/64	31 1,2205	12,7 0,500	M10 3/8	12160	6318	<b>UC204</b> UC204-12	<b>FL204</b>	0,41 0,41
<b>UCFL205</b> UCFL205-13 UCFL205-14 UCFL205-15 UCFL205-16	25 13/16 7/8 15/16 1	130 51/8	99 357/64	16 5/8	13 ½	27 11/16	16 5/8	68 211/16	35,8 113/32	40 19/16	34,1 1,3425	14,3 0,563	M14 ½	13300	7457	<b>UC205</b> UC205-13 UC205-14 UC205-15 UC205-16	<b>FL205</b>	0,58 0,62 0,61 0,59 0,58
<b>UCFL206</b> UCFL206-17 UCFL206-18 UCFL206-19 UCFL206-20	30 11/16 11/8 13/16 1¼	148 513/16	117 439/64	18 45/64	13 ½	31 17/32	16 5/8	80 35/32	40,2 119/32	44,5 1¾	38,1 1,5000	15,9 0,626	M14 ½	18525	10735	<b>UC206</b> UC206-17 UC206-18 UC206-19 UC206-20	<b>FL206</b>	0,86 0,89 0,88 0,86 0,85
<b>UCFL207</b> UCFL207-20 UCFL207-21 UCFL207-22 UCFL207-23	35 1¼ 15/16 13/8 17/16	161 611/32	130 51/8	19 ¾	14 35/64	34 113/32	16 5/8	90 335/64	44,4 1¾	48,5 129/32	42,9 1,6890	17,5 0,689	M14 ½	24415	14630	<b>UC207</b> UC207-20 UC207-21 UC207-22 UC207-23	<b>FL207</b>	1,08 1,14 1,11 1,08 1,05
<b>UCFL208</b> UCFL208-24 UCFL208-25	40 1½ 19/16	175 67/8	144 543/64	21 53/64	14 35/64	36 113/32	16 5/8	100 315/16	51,2 21/64	55,5 23/16	49,2 1,9370	19 0,748	M14 ½	27645	16910	<b>UC208</b> UC208-24 UC208-25	<b>FL208</b>	1,44 1,48 1,45
<b>UCFL209</b> UCFL209-26 UCFL209-27 UCFL209-28	45 15/8 111/16 1¾	188 713/32	148 553/64	22 55/64	15 19/32	38 1½	19 ¾	108 4¼	52,2 21/16	56,5 27/32	49,2 1,9370	19 0,748	M16 5/8	32395	20235	<b>UC209</b> UC209-26 UC209-27 UC209-28	<b>FL209</b>	1,74 1,84 1,80 1,76
<b>UCFL210</b> UCFL210-29 UCFL210-30 UCFL210-31 UCFL210-32	50 113/16 17/8 115/16 2	197 7¾	157 63/16	22 55/64	15 19/32	40 137/64	19 ¾	115 417/32	54,6 25/32	59,5 211/32	51,6 2,0315	19 0,748	M16 5/8	33345	22135	<b>UC210</b> UC210-29 UC210-30 UC210-31 UC210-32	<b>FL210</b>	2,10 2,22 2,17 2,12 2,08
<b>UCFL211</b> UCFL211-32 UCFL211-33 UCFL211-34 UCFL211-35	55 2 21/16 21/8 23/16	224 813/16	184 7¾	25 63/64	18 23/32	43 111/16	19 ¾	130 51/6	58,4 25/16	63 215/32	55,6 2,1890	22,2 0,874	M16 5/8	41230	27930	<b>UC211</b> UC211-32 UC211-33 UC211-34 UC211-35	<b>FL211</b>	2,91 3,06 3,00 2,95 2,89
<b>UCFL212</b> UCFL212-36 UCFL212-37 UCFL212-38 UCFL212-39	60 2¼ 25/16 23/8 27/16	250 927/32	202 761/64	29 19/64	18 23/32	48 17/8	23 29/32	140 5½	68,7 223/32	73,5 257/64	65,1 2,5630	25,4 1,000	M20 ¾	49780	34390	<b>UC212</b> UC212-36 UC212-37 UC212-38 UC212-39	<b>FL212</b>	3,74 3,87 3,79 3,72 3,65
<b>UCFL213</b> UCFL213-40 UCFL213-41	65 2½ 29/16	258 105/32	210 817/64	30 13/16	22 7/8	50 131/32	23 29/32	155 63/32	69,7 2¾	74,5 215/16	65,1 2,5630	25,4 1,000	M20 ¾	54340	38095	<b>UC213</b> UC213-40 UC213-41	<b>FL213</b>	4,57 4,66 4,57
<b>UCFL214</b> UCFL214-42 UCFL214-43 UCFL214-44	70 25/8 211/16 2¾	265 107/16	216 8½	31 17/32	22 7/8	54 21/8	23 29/32	160 65/16	75,4 231/32	- -	74,6 2,9370	30,2 1,189	M20 ¾	59090	41895	<b>UC214</b> UC214-42 UC214-43 UC214-44	<b>FL214</b>	5,11 5,32 5,22 5,12
<b>UCFL215</b> UCFL215-45 UCFL215-46 UCFL215-47 UCFL215-48	75 213/16 27/8 215/16 3	275 1013/16	225 855/64	34 111/32	22 7/8	56 27/32	23 29/32	165 6½	78,5 33/32	- -	77,8 3,0630	33,3 1,311	M20 ¾	64030	45885	<b>UC215</b> UC215-45 UC215-46 UC215-47 UC215-48	<b>FL215</b>	5,37 5,62 5,51 5,40 5,28
<b>UCFL216</b> UCFL216-49 UCFL216-50 UCFL216-51	80 31/16 31/8 31/16	290 1113/32	233 911/64	34 111/32	22 7/8	58 29/32	25 63/64	180 73/32	83,3 39/32	- -	82,6 3,2520	33,3 1,311	M22 7/8	69065	50350	<b>UC216</b> UC216-49 UC216-50 UC216-51	<b>FL216</b>	7,20 7,38 7,25 7,12
<b>UCFL217</b> UCFL217-52 UCFL217-53 UCFL217-55	85 ¾ 35/16 37/16	305 12	248 949/64	36 127/64	24 15/16	63 215/32	25 63/64	190 715/32	87,6 37/16	- -	85,7 3,3740	34,1 1,343	M22 7/8	79800	58805	<b>UC217</b> UC217-52 UC217-53 UC217-55	<b>FL217</b>	8,61 8,83 8,69 8,40
<b>UCFL218</b> UCFL218-56	90 3½	320 1219/32	265 1077/16	40 137/64	24 15/16	68 211/16	25 63/64	205 81/16	96,3 325/32	- -	96 3,7795	39,7 1,5630	M22 7/8	91295	67925	<b>UC218</b> UC218-56	<b>FL218</b>	10,51 10,62

Disponibile in acciaio inox Supporto: AISI 304 - Cuscinetto: AISI 440C o 420C - Available stainless steel Housing: AISI 304 - Bearing: AISI 440C or 420C  
Disponibile su richiesta con cuscinetto SA (SAFL) - Available under request with SA bearing (SAFL)

DOWNLOAD OUR CATALOG - SCARICA IL NOSTRO CATALOGO



ООО "Технодрайв" тел.: 8(863) 223-20-99

email: info@technodrive.net

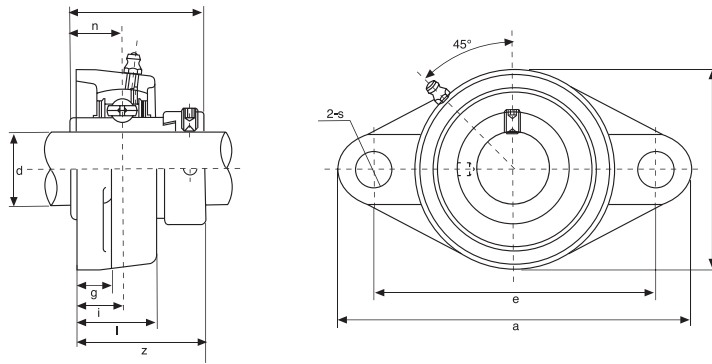
http://technodrive.pro



Bearings & Components

## OVAL BEARING UNITS SUPPORTI A FLANGIA OVALE

B<sub>1</sub>



Tipo Type	Dimensioni - Dimensions											Bull. fiss. Bolt Size	Coefficients di carico (N) Load ratings (N)		Cuscinetto Bearing	Supporto Housing	Peso Weight	
	d	a	e	i	g	l	s	b	z	B <sub>1</sub>	n		Dinamico C Dynamic C	Statico C <sub>0</sub> Static C <sub>0</sub>				kg
	mm/inch												mm/inch					
<b>HCFL204</b> HCFL204-12	<b>20</b> ¾	113 47/16	90 335/64	15 19/32	11 7/16	25,5 1	12 15/32	60 23/8	41,6 141/64	43,7 1,720	17,1 0,673	M10 3/8	12160	6318	<b>HC204</b> HC204-12	<b>FL204</b>	0,48 0,48	
<b>HCFL205</b> HCFL205-13 HCFL205-14 HCFL205-15 HCFL205-16	<b>25</b> 13/16 7/8 15/16 1	130 51/8	99 357/64	16 5/8	13 ½	27 11/16	16 5/8	68 211/16	42,9 111/16	44,4 1,748	17,5 0,689	M14 ½	13300	7457	<b>HC205</b> HC205-13 HC205-14 HC205-15 HC205-16	<b>FL205</b>	0,65 0,70 0,69 0,67 0,65	
<b>HCFL206</b> HCFL206-17 HCFL206-18 HCFL206-19 HCFL206-20	<b>30</b> 11/16 11/8 13/16 1¼	148 513/16	117 439/64	18 45/64	13 ½	31 17/32	16 5/8	80 35/32	48,1 157/64	48,4 1,906	18,3 0,720	M14 ½	18525	10735	<b>HC206</b> HC206-17 HC206-18 HC206-19 HC206-20	<b>FL206</b>	0,99 1,04 1,01 0,99 0,96	
<b>HCFL207</b> HCFL207-20 HCFL207-21 HCFL207-22 HCFL207-23	<b>35</b> 1¼ 15/16 13/8 17/16	161 611/32	130 51/8	19 ¾	14 35/64	34 111/32	16 5/8	90 335/64	51,3 21/64	51,1 2,012	18,8 0,740	M14 ½	24415	14630	<b>HC207</b> HC207-20 HC207-21 HC207-22 HC207-23	<b>FL207</b>	1,20 1,27 1,23 1,20 1,17	
<b>HCFL208</b> HCFL208-24 HCFL208-25	<b>40</b> 1½ 19/16	175 67/8	144 543/64	21 53/64	14 35/64	36 113/32	16 5/8	100 315/16	55,9 213/64	56,3 2,217	21,4 0,843	M14 ½	27645	16910	<b>HC208</b> HC208-24 HC208-25	<b>FL208</b>	1,59 1,64 1,60	
<b>HCFL209</b> HCFL209-26 HCFL209-27 HCFL209-28	<b>45</b> 15/8 111/16 1¾	188 713/32	148 553/64	22 55/64	15 19/32	38 1½	19 ¾	108 4¼	56,9 215/64	56,3 2,217	21,4 0,843	M14 ½	32395	20235	<b>HCF209</b> HC209-26 HC209-27 HC209-28	<b>FL209</b>	1,91 2,02 1,97 1,93	
<b>HCFL210</b> HCFL210-29 HCFL210-30 HCFL210-31 HCFL210-32	<b>50</b> 113/16 17/8 115/16 2	197 7¾	157 63/16	22 55/64	15 19/32	40 137/64	19 ¾	115 417/32	60,1 223/64	62,7 2,469	24,6 0,969	M16 5/8	33345	22135	<b>HCF210</b> HC210-29 HC210-30 HC210-31 HC210-32	<b>FL210</b>	2,29 2,44 2,38 2,32 2,26	
<b>HCFL211</b> HCFL211-32 HCFL211-33 HCFL211-34 HCFL211-35	<b>55</b> 2 22/16 21/8 23/16	224 813/16	184 7¼	25 63/64	18 23/32	43 111/16	19 ¾	130 51/8	68,6 245/64	71,4 2,811	27,8 1,094	M16 5/8	41230	27930	<b>HCF211</b> HC211-32 HC211-33 HC211-34 HC211-35	<b>FL211</b>	3,12 3,32 3,24 3,17 3,09	
<b>HCFL212</b> HCFL212-36 HCFL212-37 HCFL212-38 HCFL212-39	<b>60</b> 2¼ 25/16 23/8 27/16	250 927/32	202 761/64	29 19/64	18 23/32	48 17/8	23 29/32	140 5½	75,8 263/64	77,8 3,063	31 1,220	M20 ¾	49780	34390	<b>HC212</b> HC212-36 HC212-37 HC212-38 HC212-39	<b>FL212</b>	4,08 4,24 4,15 4,10 3,97	
<b>HCFL213</b> HCFL213-40 HCFL213-41	<b>65</b> 2½ 29/16	258 105/32	210 817/64	30 13/16	22 7/8	50 131/32	23 29/32	155 63/32	81,6 37/32	85,7 3,374	34,1 1,343	M20 ¾	54340	38095	<b>HC213</b> HC213-40 HC213-41	<b>FL213</b>	5,13 5,23 5,12	
<b>HCFL214</b> HCFL214-42 HCFL214-43 HCFL214-44	<b>70</b> 23/8 211/16 2¾	265 107/16	216 8½	31 17/32	22 7/8	54 21/8	23 29/32	160 65/16	82,6 3¼	85,7 3,374	34,1 1,343	M20 ¾	59090	41895	<b>HC214</b> HC214-42 HC214-43 HC214-44	<b>FL214</b>	5,61 5,85 5,74 5,62	
<b>HCFL215</b> HCFL215-45 HCFL215-46 HCFL215-47 HCFL215-48	<b>75</b> 213/16 27/8 215/16 3	275 1013/16	225 855/64	34 111/32	22 7/8	56 27/32	23 29/32	165 6½	88,8 3½	92,1 3,626	37,3 1,426	M20 ¾	64030	45885	<b>HC215</b> HC215-45 HC215-46 HC215-47 HC215-48	<b>FL215</b>	6,00 6,30 6,17 6,04 5,90	

DOWNLOAD OUR CATALOG - SCARICA IL NOSTRO CATALOGO



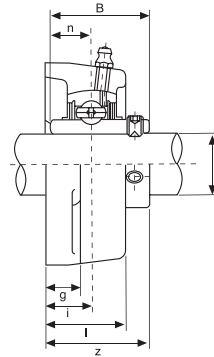
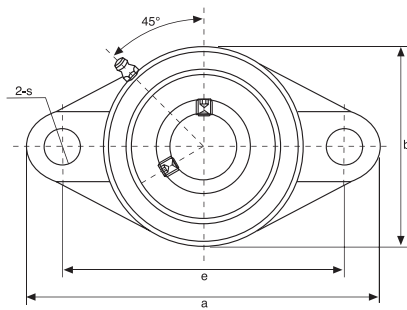
ООО "Технодрайв" тел.: 8(863) 223-20-99

email: info@technodrive.net

http://technodrive.pro



## OVAL BEARING UNITS SUPPORTI A FLANGIA OVALE



Tipo Type	Dimensioni - Dimensions											Bull. fiss. Bolt Size	Coefficienti di carico (N) Load ratings (N)		Cuscinetto Bearing	Supporto Housing	Peso Weight
	d	a	e	i	g	l	s	b	z	B	n		Dinamico C Dynamic C	Statico C <sub>0</sub> Static C <sub>0</sub>			
	mm/inch												mm/inch				
UCFL305 UCFL305-13 UCFL305-14 UCFL305-15 UCFL305-16	25 13/16 7/8 15/16 1	150	113	16	13	29	19	80	39	38	15	M16			UC305 UC305-13 UC305-14 UC305-15 UC305-16	FL305	1,1
UCFL306 UCFL306-17 UCFL306-18 UCFL306-19	30 11/16 11/8 13/16	180	134	18	15	32	23	90	44	43	17	M20			UC306 UC306-17 UC306-18 UC306-19	FL306	1,5
UCFL307 UCFL307-20 UCFL307-21 UCFL307-22 UCFL307-23	35 1 1/4 15/16 13/8 17/16	185	141	20	16	36	23	100	49	48	19	M20			UC307 UC307-20 UC307-21 UC307-22 UC307-23	FL307	1,9
UCFL308 UCFL308-24 UCFL308-25	40 1 1/2 19/6	200	158	23	17	40	23	112	56	52	19	M20			UC308 UC308-24 UC308-25	FL308	2,5
UCFL309 UCFL309-26 UCFL309-27 UCFL309-28	45 15/8 111/16 1 3/4	230	177	25	18	44	25	125	60	57	22	M22			UC309 UC309-26 UC309-27 UC309-28	FL309	3,4
UCFL310 UCFL310-29 UCFL310-30 UCFL310-31	50 113/16 17/8 115/16	240	187	28	19	48	25	140	67	61	22	M22			UC310 UC310-29 UC310-30 UC310-31	FL310	4,4
UCFL311 UCFL311-32 UCFL311-33 UCFL311-34 UCFL311-35	55 2 21/16 21/8 23/16	250	198	30	20	52	25	150	71	66	25	M22			UC311 UC311-32 UC311-33 UC311-34 UC311-35	FL311	5,1
UCFL312 UCFL312-36 UCFL312-37 UCFL312-38 UCFL312-39	60 2 1/4 25/16 23/8 27/16	270	212	33	22	56	31	160	78	71	26	M27			UC312 UC312-36 UC312-37 UC312-38 UC312-39	FL312	6,1
UCFL313 UCFL313-40 UCFL313-41	65 2 1/2 29/16	295	240	33	25	58	31	175	78	75	30	M27			UC313 UC313-40 UC313-41	FL313	7,8
UCFL314 UCFL314-42 UCFL314-43 UCFL314-44	70 25/8 211/16 2 3/4	315	250	36	28	61	35	185	81	78	33	M30			UC314 UC314-42 UC314-43 UC314-44	FL314	9,0
UCFL315 UCFL315-45 UCFL315-46 UCFL315-47 UCFL315-48	75 213/16 27/8 215/16 3	320	260	39	30	66	35	195	89	82	32	M30			UC315 UC315-45 UC315-46 UC315-47 UC315-48	FL315	10
UCFL316 UCFL316-49 UCFL316-50 UCFL316-51	80 31/16 31/8 33/16	355	285	38	32	68	38	210	90	86	34	M33			UC316 UC316-49 UC316-50 UC316-51	FL316	13
UCFL317 UCFL317-52 UCFL317-53 UCFL317-55	85 3 3/4 35/16 37/16	370	300	44	32	74	38	220	100	96	40	M33			UC317 UC317-52 UC317-53 UC317-55	FL317	15
UCFL318 UCFL318-55 UCFL318-56	90 37/16 3 1/2	385	315	44	36	76	38	235	100	96	40	M33			UC318 UC318-55 UC318-56	FL318	18
UCFL319 UCFL319-58 UCFL319-59 UCFL319-60	95 35/8 311/16 3 3/4	405	330	59	40	94	41	250	121	103	41	M36			UC319 UC319-58 UC319-59 UC319-60	FL319	22
UCFL320 UCFL320-61 UCFL320-62 UCFL320-63 UCFL320-64	100 313/16 37/8 315/16 4	440	360	59	40	94	44	270	125	108	42	M39			UC320 UC320-61 UC320-62 UC320-63 UC320-64	FL320	27
UCFL322	110 - 18 1/2	470 1523/64	390 223/64	60 42	42 96	96 44	44 300	131 117	117 46	117 1,8110	46	M39 1 1/2	194750	171000	UC322	FL322	33
UCFL324	120 - 2015/32	520 1659/64	430 29/16	65 17/8	48 110	110 47	47 330	140 13	140 5 1/2	126 4,9606	51	M42 -	196650	175750	UC324	FL324	48
UCFL326	130 - 2121/32	550 187/64	460 29/16	65 131/32	50 417/32	115 127/32	47 360	146 143/16	135 54/3	135 5,1350	54 2,1260	M42 -	217550	203300	UC326	FL326	58
UCFL328	140 - 235/8	600 1911/16	500 261/64	75 23/8	60 429/32	125 2	51 15 3/4	400 611/32	161 5,7086	145 2,3228	59	M45 -	240350	233700	UC328	FL328	81

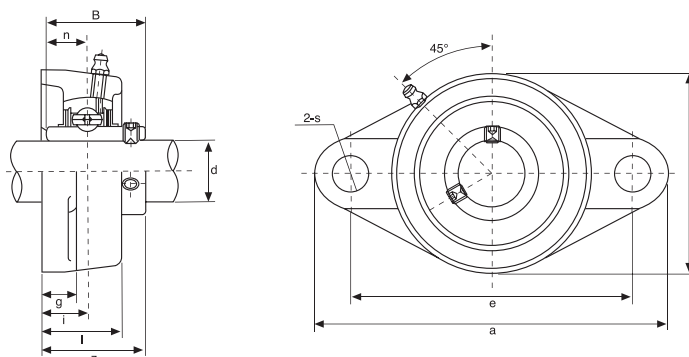
DOWNLOAD OUR CATALOG - SCARICA IL NOSTRO CATALOGO





Bearings & Components

## OVAL BEARING UNITS SUPPORTI A FLANGIA OVALE



Tipo Type	Dimensioni - Dimensions											Bull. fiss. Bolt Size	Coefficients di carico (N) Load ratings (N)		Cuscinetto Bearing	Supporto Housing	Peso Weight
	d	a	e	i	g	l	s	b	z	B	n		Dinamico C Dynamic C	Statico C <sub>0</sub> Static C <sub>0</sub>			
<b>UCFLX05</b> UCFLX05-13 UCFLX05-14 UCFLX05-15 UCFLX05-16	<b>25</b> 13/16 7/8 15/16 1	141 59/16	117 439/64	18 45/64	13 ½	30 13/16	12 15/32	83 39/32	40,2 137/64	38,1 1,5000	15,9 0,626	M10 3/8	18525	10735	<b>UCX05</b> UCX05-13 UCX05-14 UCX05-15 UCX05-16	<b>FLX05</b>	1,0
<b>UCFLX06</b> UCFLX06-17 UCFLX06-18 UCFLX06-19 UCFLX06-20	<b>30</b> 11/16 11/8 13/16 1¼	156 65/32	130 51/8	19 ¾	15 19/32	34 111/32	16 5/8	95 3¾	44,4 1¾	42,9 1,6890	17,5 0,689	M14 ½	24415	14630	<b>UCX06</b> UCX06-17 UCX06-18 UCX06-19 UCX06-20	<b>FLX06</b>	1,5
<b>UCFLX07</b> UCFLX07-21 UCFLX07-22 UCFLX07-23	<b>35</b> 15/16 13/8 17/16	171 623/32	144 543/64	21 53/64	16 5/8	38 1½	16 5/8	105 41/8	51,2 21/64	49,2 1,9370	19 0,748	M14 ½	27645	16910	<b>UCX07</b> UCX07-21 UCX07-22 UCX07-23	<b>FLX07</b>	2,0
<b>UCFLX08</b> UCFLX08-24 UCFLX08-25	<b>40</b> 1½ 19/16	179 71/16	148 553/64	22 55/64	16 5/8	40 137/64	16 5/8	111 43/8	52,2 21/16	49,2 1,9370	19 0,748	M14 ½	32395	20235	<b>UCX08</b> UCX08-24 UCX08-25	<b>FLX08</b>	2,2
<b>UCFLX09</b> UCFLX09-26 UCFLX09-27 UCFLX09-28 UCFLX09-29	<b>45</b> 15/8 111/16 1¾ 113/16	189 77/16	157 63/16	23 29/32	16 5/8	40 137/64	16 5/8	116 49/18	55,6 23/16	51,6 2,0315	19 0,748	M14 ½	33345	22135	<b>UCX09</b> UCX09-26 UCX09-27 UCX09-28 UCX09-29	<b>FLX09</b>	2,4
<b>UCFLX10</b> UCFLX10-30 UCFLX10-31 UCFLX10-32	<b>50</b> 17/8 115/16 2	216 8½	184 7¼	26 11/32	18 23/32	44 123/32	19 ¾	133 5¼	59,4 211/32	55,6 2,1890	22,2 0,874	M16 5/8	41230	27930	<b>UCX10</b> UCX10-30 UCX10-31 UCX10-32	<b>FLX10</b>	3,4

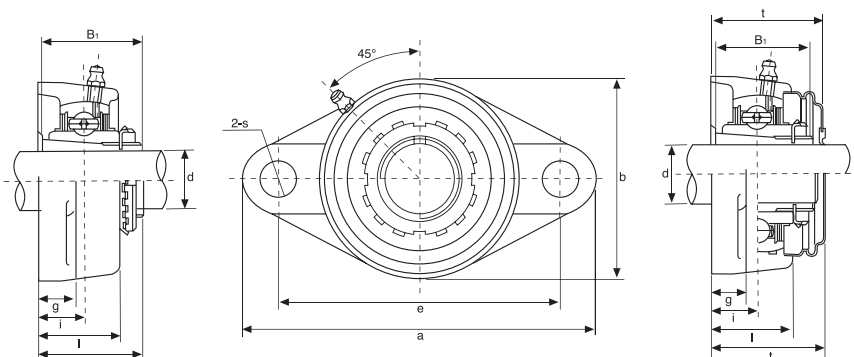






Bearings & Components

## OVAL BEARING UNITS WITH ADAPTER SLEEVE SUPPORTI A FLANGIA OVALE CON BUSSOLA



Tipo Type	Dimensioni - Dimensions											Bull. fiss. Bolt Size	Coefficienti di carico (N) Load ratings (N)		Cuscinetto Bearing	Supporto Housing	Peso Weight
	d	a	e	i	g	l	s	b	z	t	B <sub>1</sub>		Dinamico C Dynamic C <sub>d</sub>	Statico C <sub>0</sub> Static C <sub>0</sub>			
	mm/inch												mm/inch				
<b>UKFL205+H2305</b>	<b>20</b>	130	99	16	13	27	16	68	35,5	40	35	M14	13300	7457	<b>UK205+H2305</b>	<b>FL205</b>	0,63
UKFL205+HE2305	¾	51/8	357/64	5/8	½	11/16	5/8	211/16	125/64	19/16	1,378	½			UK205+HE2305		
<b>UKFL206+H2306</b>	<b>25</b>	148	117	18	13	31	16	80	39	44,5	38	M14	18525	10735	<b>UK206+H2306</b>	<b>FL206</b>	0,90
UKFL206+HS2306	7/8	513/16	439/64	45/64	½	17/32	5/8	35/32	117/32	1¾	1,496	½			UK206+HS2306		
UKFL206+HE2306	1											UK206+HE2306					
<b>UKFL207+H2307</b>	<b>30</b>	161	130	19	14	34	16	90	42,5	48,5	43	M14	24415	14630	<b>UK207+H2307</b>	<b>FL207</b>	1,17
UKFL207+HS2307	11/8	611/32	51/8	¾	35/64	111/32	5/8	335/64	143/64	129/32	1,693	½			UK207+HS2307		
<b>UKFL208+H2308</b>	<b>35</b>	175	144	21	14	36	16	100	46,5	55,5	46	M14	27645	16910	<b>UK208+H2308</b>	<b>FL208</b>	1,54
UKFL208+HE2308	1¼	67/8	543/64	53/64	35/64	113/32	5/8	315/16	153/64	23/16	1,811	½			UK208+HE2308		
UKFL208+HS2308	13/8											UK208+HS2308					
<b>UKFL209+H2309</b>	<b>40</b>	188	148	22	15	38	19	108	48,5	56,5	50	M16	32395	20235	<b>UK209+H2309</b>	<b>FL209</b>	1,89
UKFL209+HA2309	17/16	713/32	553/64	55/64	19/32	1½	¾	4¾	129/32	27/32	1,969	5/8			UK209+HA2309		
UKFL209+HE2309	1½											UK209+HE2309					
UKFL209+HS2309	15/8	UK209+HS2309															
<b>UKFL210+H2310</b>	<b>45</b>	197	157	22	15	40	19	115	50	59,5	55	M16	33345	22135	<b>UK210+H2310</b>	<b>FL210</b>	2,27
UKFL210+HS2310	15/8	7¾	63/16	55/64	19/32	137/64	¾	417/32	131/32	211/32	2,165	5/8			UK210+HS2310		
UKFL210+HA2310	111/16											UK210+HA2310					
UKFL210+HE2310	1¾	UK210+HE2310															
<b>UKFL211+H2311</b>	<b>50</b>	224	184	25	18	43	19	130	54,5	63	59	M16	41230	27930	<b>UK211+H2311</b>	<b>FL211</b>	3,06
UKFL211+HS2311	17/8	813/16	7¼	63/64	23/32	111/16	¾	51/8	29/64	215/32	2,323	5/8			UK211+HS2311		
UKFL211+HA2311	115/16											UK211+HA2311					
UKFL211+HE2311	2	UK211+HE2311															
<b>UKFL212+H2312</b>	<b>55</b>	250	202	29	18	48	23	140	61	73,5	62	M20	49780	34390	<b>UK212+H2312</b>	<b>FL212</b>	3,79
UKFL212+HS2312	21/8	927/32	761/64	19/64	23/32	17/8	29/32	5½	213/32	257/64	2,441	¾			UK212+HS2312		
<b>UKFL213+H2313</b>	<b>60</b>	258	210	30	22	50	23	155	64	74,5	65	M20	54340	38095	<b>UK213+H2313</b>	<b>FL213</b>	4,48
UKFL213+HA2313	23/16	105/32	817/64	13/16	7/8	131/32	29/32	63/62	233/64	215/16	2,559	¾			UK213+HA2313		
UKFL213+HE2313	2¼											UK213+HE2313					
UKFL213+HS2313	23/8	UK213+HS2313															
<b>UKFL215+H2315</b>	<b>65</b>	275	225	34	22	56	23	165	71	-	73	M20	64030	45885	<b>UK215+H2315</b>	<b>FL215</b>	5,48
UKFL215+HA2315	27/16	1013/16	855/64	111/32	7/8	27/32	29/32	6½	251/64	-	2,874	¾			UK215+HA2315		
UKFL215+HE2315	2½											UK215+HE2315					
<b>UKFL216+H2316</b>	<b>70</b>	290	233	34	22	58	25	180	73,5	-	78	M22	69065	50350	<b>UK216+H2316</b>	<b>FL216</b>	7,46
UKFL216+HA2316	211/16	1113/32	911/64	111/32	7/8	29/32	63/64	73/32	257/64	-	3,071	7/8			UK216+HA2316		
UKFL216+HE2316	2¾											UK216+HE2316					
<b>UKFL217+H2317</b>	<b>75</b>	305	248	36	24	63	25	190	77	-	82	M22	79800	58805	<b>UK217+H2317</b>	<b>FL217</b>	9,03
UKFL217+HA2317	215/16	12	949/64	127/64	15/16	215/32	63/64	715/32	31/32	-	3,228	7/8			UK217+HA2317		
UKFL217+HE2317	3											UK217+HE2317					
<b>UKFL218+H2318</b>	<b>80</b>	320	265	40	24	68	25	205	81,5	-	86	M22	91295	67925	<b>UK218+H2318</b>	<b>FL218</b>	10,89
UKFL218+HA2318	33/16	1219/32	1071/16	137/64	15/16	211/16	63/64	81/16	313/64	-	3,386	7/8			UK218+HA2318		

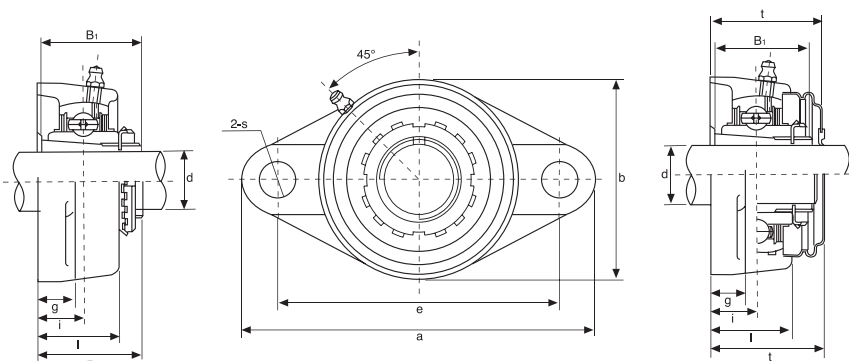
Bussole HA; HE; HS con filettatura in pollici  
Inch dimension adapter sleeves HA; HE; HS





Bearings & Components

## OVAL BEARING UNITS WITH ADAPTER SLEEVE SUPPORTI A FLANGIA OVALE CON BUSSOLA



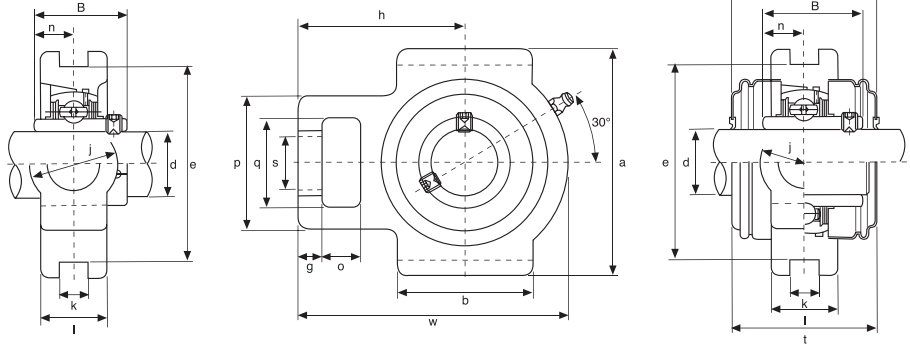
Tipo Type	Dimensioni - Dimensions										Bull. fiss. Bolt Size	Coefficienti di carico (N) Load ratings (N)		Cuscinetto Bearing	Supporto Housing	Peso Weight	
	d	a	e	i	g	l	s	b	z	B <sub>1</sub>		Dinamico C Dynamic C	Statico C <sub>0</sub> Static C <sub>0</sub>				kg
	mm/inch											mm/inch					
<b>UKFLX05+H2305</b>	<b>20</b>	141	117	18	13	30	12	83	39	35	M10	18525	10735	<b>UKX05+H2305</b>	<b>FLX05</b>	1,0	
UKFLX05+HE2305	¾	59/16	439/64	45/64	½	13/16	15/32	39/32	117/32	1,378	3/8			UKX05+HE2305			
<b>UKFLX06+H2306</b>	<b>25</b>	156	130	19	15	34	16	95	41,5	38	M14	24415	14630	<b>UKX06+H2306</b>	<b>FLX06</b>	1,5	
UKFLX06+HS2306	7/8	65/32	51/8	¾	19/32	111/32	5/8	3¾	141/64	1,496	½			UKX06+HS2306			
UKFLX06+HE2306	1													UKX06+HE2306			
<b>UKFLX07+H2307</b>	<b>30</b>	171	144	21	16	38	16	105	45,5	43	M14	27645	16910	<b>UKX07+H2307</b>	<b>FLX07</b>	1,8	
UKFLX07+HS2307	11/8	623/32	543/64	53/64	5/8	1½	5/8	41/8	151/64	1,693	½			UKX07+HS2307			
<b>UKFLX08+H2308</b>	<b>35</b>	179	148	22	16	40	16	111	47,5	46	M14	32395	20235	<b>UKX08+H2308</b>	<b>FLX08</b>	2,1	
UKFLX08+HE2308	1¼	71/16	553/64	55/64	5/8	19/16	5/8	43/8	17/8	1,811	½			UKX08+HE2308			
UKFLX08+HS2308	13/8													UKX08+HS2308			
<b>UKFLX09+H2309</b>	<b>40</b>	189	157	23	16	40	16	116	50	50	M14	33345	22135	<b>UKX09+H2309</b>	<b>FLX09</b>	2,5	
UKFLX09+HA2309	17/16	77/16	63/16	29/32	5/8	137/64	5/8	49/16	131/32	1,969	½			UKX09+HA2309			
UKFLX09+HE2309	1½													UKX09+HE2309			
UKFLX09+HS2309	15/8													UKX09+HS2309			
<b>UKFLX10+H2310</b>	<b>45</b>	216	184	26	18	44	19	133	55,5	55	M16	41230	27930	<b>UKX10+H2310</b>	<b>FLX10</b>	3,7	
UKFLX10+HS2310	15/8	111/16	8½	7¼	11/32	23/32	123/32	¾	5¼	23/16	2,165			5/8			UKX10+HS2310
UKFLX10+HA2310	111/16																UKX10+HA2310
UKFLX10+HE2310	1¾																UKX10+HE2310

Bussolle HA; HE; HS con filettatura in pollici  
Inch dimension adapter sleeves HA; HE; HS





# TAKE-UP UNITS SUPPORTI SCORREVOLI



Tipo Type	Dimensioni - Dimensions																Coefficients di carico (N) Load ratings (N)		Cuscinetto Bearing	Supporto Housing	Peso Weight	
	d	o	g	p	q	s	b	k	e	a	w	j	l	h	t	B	N	Dinamico C Dynamic C				Statico C <sub>0</sub> Static C <sub>0</sub>
	mm/inch																					
<b>UCT201</b> UCT201-8	12 1/2	16 5/8	10 25/64	51 11/64	32 1 1/4	19 3/4	51 21/64	12 15/32	76 263/64	89 3 1/2	94 311/16	32 1 1/4	24 15/16	61 213/32	44,5 1 1/4	31 1,2205	12,7 0,500	12160	6318	<b>UC201</b> UC201-8	<b>T204</b>	0,80 0,79
<b>UCT202</b> UCT202-9 UCT202-10	15 9/16 5/8	16 5/8	10 25/64	51 11/64	32 1 1/4	19 3/4	51 21/64	12 15/32	76 263/64	89 3 1/2	94 311/16	32 1 1/4	24 15/16	61 213/32	44,5 1 1/4	31 1,2205	12,7 0,500	12160	6318	<b>UC202</b> UC202-9 UC202-10	<b>T204</b>	0,79 0,79
<b>UCT203</b> UCT203-11	17 11/16	16 5/8	10 25/64	51 11/64	32 1 1/4	19 3/4	51 21/64	12 15/32	76 263/64	89 3 1/2	94 311/16	32 1 1/4	24 15/16	61 213/32	44,5 1 1/4	31 1,2205	12,7 0,500	12160	6318	<b>UC203</b> UC203-11	<b>T204</b>	0,78 0,77
<b>UCT204</b> UCT204-12	20 3/4	16 5/8	10 25/64	51 11/64	32 1 1/4	19 3/4	51 21/64	12 15/32	76 263/64	89 3 1/2	94 311/16	32 1 1/4	24 15/16	61 213/32	44,5 1 1/4	31 1,2205	12,7 0,500	12160	6318	<b>UC204</b> UC204-12	<b>T204</b>	0,76 0,76
<b>UCT205</b> UCT205-13 UCT205-14 UCT205-15 UCT205-16	25 13/16 7/8 15/16 1	16 5/8	10 25/64	51 11/64	32 1 1/4	19 3/4	51 21/64	12 15/32	76 263/64	89 3 1/2	97 313/16	32 1 1/4	24 15/16	62 27/16	48 17/8	34,1 1,3425	14,3 0,563	13300	7457	<b>UC205</b> UC205-13 UC205-14 UC205-15 UC205-16	<b>T205</b>	0,81 0,85 0,84 0,82 0,81
<b>UCT206</b> UCT206-17 UCT206-18 UCT206-19 UCT206-20	30 11/16 11/8 13/16 1 1/4	16 5/8	10 25/64	56 27/32	37 129/64	22 55/64	57 2 1/4	12 15/32	89 3 1/2	102 41/64	113 429/64	37 129/64	28 13/32	70 2 3/4	53 23/32	38,1 1,5000	15,9 0,626	18525	10735	<b>UC206</b> UC206-17 UC206-18 UC206-19 UC206-20	<b>T206</b>	1,22 1,23 1,24 1,22 1,21
<b>UCT207</b> UCT207-20 UCT207-21 UCT207-22 UCT207-23	35 1 1/4 15/16 13/8 17/16	16 5/8	13 33/64	64 233/64	37 129/64	22 55/64	64 233/64	12 15/32	89 3 1/2	102 41/64	129 55/64	37 13/16	30 16/35	78 64	59,5 211/32	42,9 1,6890	17,5 0,689	24415	14630	<b>UC207</b> UC207-20 UC207-21 UC207-22 UC207-23	<b>T207</b>	1,44 1,50 1,48 1,44 1,41
<b>UCT208</b> UCT208-24 UCT208-25	40 1 1/2 19/16	19 3/4	16 5/8	83 317/64	49 115/16	29 19/64	83 317/64	16 5/8	102 41/64	114 431/64	144 543/64	49 115/16	35 13/8	89 3 1/2	69 223/32	49,2 1,9370	19 0,748	27645	16910	<b>UC208</b> UC208-24 UC208-25	<b>T208</b>	2,40 2,44 2,41
<b>UCT209</b> UCT209-26 UCT209-27 UCT209-28	45 15/8 11/16 1 3/4	19 3/4	16 5/8	83 317/64	49 115/16	29 19/64	83 317/64	16 5/8	102 41/64	117 439/64	144 543/64	49 115/16	35 13/8	87 327/64	69 223/32	49,2 1,9370	19 0,748	32395	20235	<b>UC209</b> UC209-26 UC209-27 UC209-28	<b>T209</b>	2,36 2,46 2,42 2,38
<b>UCT210</b> UCT210-29 UCT210-30 UCT210-31 UCT210-32	50 113/16 17/8 115/16 2	19 3/4	16 5/8	83 317/64	49 115/16	29 19/64	86 317/64	16 5/8	102 41/64	117 439/64	149 555/64	49 115/16	35 13/8	90 335/64	74,5 2,0315	19 0,748	33345	22135	<b>UC210</b> UC210-29 UC210-30 UC210-31 UC210-32	<b>T210</b>	2,43 2,55 2,50 2,45 2,41	
<b>UCT211</b> UCT211-32 UCT211-33 UCT211-34 UCT211-35	55 2 21/16 21/8 23/16	25 63/64	19 3/4	102 41/64	64 21/32	35 13/8	95 3 3/4	22 55/64	130 51/8	146 5 3/4	171 647/64	64 233/64	41 15/8	106 411/64	76 3	55,6 2,1890	22,2 0,874	41230	27930	<b>UC211</b> UC211-32 UC211-33 UC211-34 UC211-35	<b>T211</b>	4,11 4,26 4,20 4,15 4,09
<b>UCT212</b> UCT212-36 UCT212-37 UCT212-38 UCT212-39	60 2 1/4 25/16 23/8 27/16	32 117/64	19 3/4	102 41/64	64 21/32	35 13/8	102 41/64	22 55/64	130 51/8	146 5 3/4	194 741/64	64 233/64	46 113/16	119 411/16	89 3 1/2	65,1 2,5630	25,4 1,000	49780	34390	<b>UC212</b> UC212-36 UC212-37 UC212-38 UC212-39	<b>T212</b>	4,97 5,10 5,02 4,95 4,88
<b>UCT213</b> UCT213-40 UCT213-41	65 2 1/2 29/16	32 117/64	21 53/64	111 43/8	70 2 3/4	41 139/64	121 449/64	26 11/32	151 515/16	167 663/64	224 813/16	70 2 3/4	51 2	137 525/64	89 3 1/2	65,1 2,5630	25,4 1,000	54340	38095	<b>UC213</b> UC213-40 UC213-41	<b>T213</b>	6,65 6,74 6,65
<b>UCT214</b> UCT214-42 UCT214-43 UCT214-44	70 25/8 211/16 2 3/4	32 117/64	21 53/64	111 43/8	70 2 3/4	41 139/64	121 449/64	26 11/32	151 515/16	167 637/64	224 813/16	70 2 3/4	46 113/16	137 525/64	-	74,6 2,9370	30,2 1,189	59090	41895	<b>UC214</b> UC214-42 UC214-43 UC214-44	<b>T214</b>	7,05 7,26 7,16 7,06
<b>UCT215</b> UCT215-45 UCT215-46 UCT215-47 UCT215-48	75 213/16 27/8 215/16 3	32 117/64	21 53/64	111 43/8	70 2 3/4	41 139/64	121 449/64	26 11/32	151 515/16	167 637/64	232 99/64	70 2 3/4	48 157/64	140 533/64	-	77,8 3,0630	33,3 1,311	64030	45885	<b>UC215</b> UC215-45 UC215-46 UC215-47 UC215-48	<b>T215</b>	7,41 7,66 7,55 7,44 7,32
<b>UCT216</b> UCT216-49 UCT216-50 UCT216-51	80 31/16 31/8 33/16	32 117/64	21 53/64	111 43/8	70 2 3/4	41 139/64	121 449/64	26 11/32	165 6 1/2	184 7 1/4	235 9 1/4	70 2 3/4	51 2	140 533/64	-	82,6 3,2520	33,3 1,311	69065	50350	<b>UC216</b> UC216-49 UC216-50 UC216-51	<b>T216</b>	8,30 8,48 8,35 8,22
<b>UCT217</b> UCT217-52 UCT217-53 UCT217-55	85 3 1/4 35/16 37/16	38 1 1/2	29 19/64	124 47/8	73 27/8	48 157/64	157 63/16	30 13/16	173 16613/16	198 16751/64	260 101564	73 27/8	54 21/8	162 63/8	-	85,7 3,3740	34,1 1,343	79800	58805	<b>UC217</b> UC217-52 UC217-53 UC217-55	<b>T217</b>	11,00 11,22 11,09 10,80
<b>UCT218</b> UCT218-56	90 35/64	41 15/8	31 1,2205	132 513/64	81 36/32	48 157/64	151 561/64	30 13/16	189 16751/64	216 8 1/2	280 111382	80 35/32	55 2,165	173 613/16	-	96 3,7795	39,7 1,18/32	91295	67925	<b>UC218</b> UC218-56	<b>T218</b>	12,75 10,62

Disponibile in acciaio inox Supporto: AISI 304 - Cuscinetto: AISI 440C o 420C - Available stainless steel Housing: AISI 304 - Bearing: AISI 440C or 420C  
Disponibile su richiesta con cuscinetto SA (SAT.) - Available under request with SA bearing (SAT.)

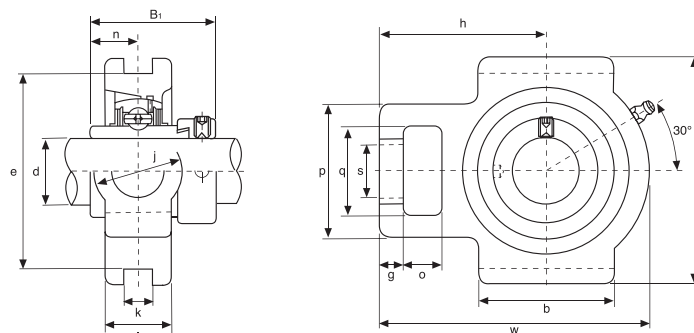
DOWNLOAD OUR CATALOG - SCARICA IL NOSTRO CATALOGO





Bearings & Components

# TAKE-UP UNITS SUPPORTI SCORREVOLI



Tipo Type	Dimensioni - Dimensions															Coefficients di carico (N) Load ratings (N)		Cuscinetto Bearing	Supporto Housing	Peso Weight	
	d	o	g	p	q	s	b	k	e	a	w	j	i	h	B <sub>r</sub>	n	Dinamico C Dynamic C <sub>o</sub>				Statico C <sub>o</sub> Static C <sub>o</sub>
<b>HCT204</b>	<b>20</b>	16	10	51	32	19	51	12	76	89	94	32	24	61	43,7	17,1	12160	6318	<b>HC204</b>	<b>T204</b>	0,83
HCT204-12	¾	5/8	25/64	11/16	1¼	¾	21/64	15/32	263/64	3½	311/16	1¼	15/16	213/32	1,720	0,673			HC204-12		0,83
<b>HCT205</b>	<b>25</b>	16	10	51	32	19	51	12	76	89	97	32	24	62	44,4	17,5	13300	7457	<b>HC205</b>	<b>T205</b>	0,88
HCT205-13	13/16																		HC205-13		0,93
HCT205-14	7/8	5/8	25/64	11/16	1¼	¾	21/64	15/32	263/64	3½	313/16	1¼	15/16	27/16	1,748	0,689			HC205-14		0,92
HCT205-15	15/16																		HC205-15		0,90
HCT205-16	1																	HC205-16	0,88		
<b>HCT206</b>	<b>30</b>	16	10	56	37	22	57	12	89	102	113	37	28	70	48,4	18,3	18525	10735	<b>HC206</b>	<b>T206</b>	1,35
HCT206-17	11/16																		HC206-17		1,40
HCT206-18	11/8	5/8	25/64	27/32	129/64	55/64	2¼	15/32	3½	41/64	429/64	129/64	13/32	2¾	1,906	0,720			HC206-18		1,37
HCT206-19	13/16																		HC206-19		1,35
HCT206-20	1¼																		HC206-20		1,32
<b>HCT207</b>	<b>35</b>	16	13	64	37	22	64	12	89	102	129	37	30	78	51,1	18,8	24415	14630	<b>HC207</b>	<b>T207</b>	1,56
HCT207-20	1¼																		HC207-20		1,63
HCT207-21	15/16	5/8	33/64	233/64	129/64	55/64	233/64	15/32	3½	41/64	55/64	129/64	13/16	35/64	2,012	0,740			HC207-21		1,59
HCT207-22	13/8																		HC207-22		1,56
HCT207-23	17/16																		HC207-23		1,53
<b>HCT208</b>	<b>40</b>	19	16	83	49	29	83	16	102	114	144	49	35	89	56,3	21,4	27645	16910	<b>HC208</b>	<b>T208</b>	2,55
HCT208-24	1½	¾	5/8	317/64	115/16	19/64	317/64	5/8	41/64	431/64	543/64	115/16	13/8	3½	2,217	0,843			HC208-24		2,60
HCT208-25	19/16																		HC208-25		2,56
<b>HCT209</b>	<b>45</b>	19	16	83	49	29	83	16	102	117	144	49	35	87	56,3	21,4	32395	20235	<b>HCF209</b>	<b>T209</b>	2,53
HCT209-26	15/8																		HC209-26		2,64
HCT209-27	11/16	¾	5/8	317/64	115/16	19/64	317/64	5/8	41/64	439/64	543/64	115/16	13/8	327/64	2,217	0,843			HC209-27		2,59
HCT209-28	1¾																		HC209-28		2,55
<b>HCT210</b>	<b>50</b>	19	16	83	49	29	86	16	102	117	149	49	35	90	6,7	24,6	33345	22135	<b>HCF210</b>	<b>T210</b>	2,62
HCT210-29	113/16																		HC210-29		2,77
HCT210-30	17/8	¾	5/8	317/64	115/16	19/64	325/64	5/8	41/64	439/64	555/64	115/16	13/8	335/64	2,469	0,969			HC210-30		2,71
HCT210-31	115/16																		HC210-31		2,65
HCT210-32	2																		HC210-32		2,59
<b>HCT211</b>	<b>55</b>	25	19	102	64	35	95	22	130	146	171	64	41	106	71,4	27,8	41230	27930	<b>HCF211</b>	<b>T211</b>	4,32
HCT211-32	2																		HC211-32		4,52
HCT211-33	22/16	63/64	¾	41/64	21/32	13/8	3¾	55/64	51/8	5¾	647/64	233/64	15/8	411/64	2,811	1,094			HC211-33		4,44
HCT211-34	21/8																		HC211-34		4,37
HCT211-35	23/16																	HC211-35	4,29		
<b>HCT212</b>	<b>60</b>	32	19	102	64	35	102	22	130	146	194	64	46	119	77,8	31	49780	34390	<b>HC212</b>	<b>T212</b>	5,31
HCT212-36	2¼																		HC212-36		5,47
HCT212-37	25/16	117/64	¾	41/64	21/32	13/8	41/64	55/64	51/8	5¾	741/64	233/64	113/16	411/16	3,063	1,220			HC212-37		5,38
HCT212-38	23/8																		HC212-38		5,33
HCT212-39	27/16																		HC212-39		5,20
<b>HCT213</b>	<b>65</b>	32	21	111	70	41	121	26	151	167	224	70	51	137	85,7	34,1	54340	38095	<b>HC213</b>	<b>T213</b>	7,21
HCT213-40	2½	117/64	53/64	43/8	2¾	139/64	449/64	11/32	515/16	637/64	813/16	2¾	2	525/64	3,374	1,343			HC213-40		7,31
HCT213-41	29/16																		HC213-41		7,20
<b>HCT214</b>	<b>70</b>	32	21	111	70	41	121	26	151	167	224	70	46	137	85,7	34,1	59090	41895	<b>HC214</b>	<b>T214</b>	7,55
HCT214-42	23/8																		HC214-42		7,79
HCT214-43	211/16	117/64	53/64	43/8	2¾	139/64	449/64	11/32	515/16	637/64	813/16	2¾	113/16	525/64	3,374	1,343			HC214-43		7,68
HCT214-44	2¾																		HC214-44		7,56
<b>HCT215</b>	<b>75</b>	32	21	111	70	41	121	26	151	167	232	70	48	140	92,1	37,3	64030	45885	<b>HC215</b>	<b>T215</b>	8,04
HCT215-45	213/16																		HC215-45		8,34
HCT215-46	27/8	117/64	53/64	43/8	2¾	139/64	449/64	11/32	515/16	637/64	99/64	2¾	157/64	533/64	3,626	1,426			HC215-46		8,21
HCT215-47	215/16																		HC215-47		8,08
HCT215-48	3																		HC215-48		7,94

DOWNLOAD OUR CATALOG - SCARICA IL NOSTRO CATALOGO



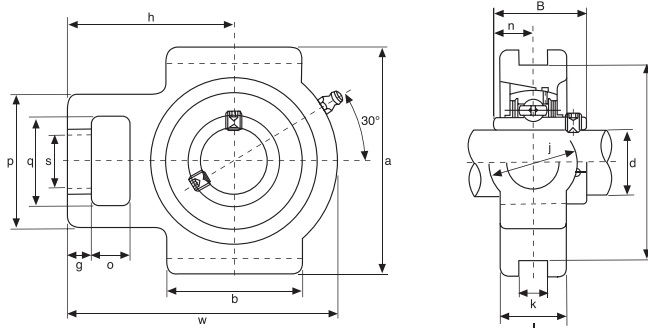
ООО "Технодрайв" тел.: 8(863) 223-20-99

email: info@technodrive.net

http://technodrive.pro



# TAKE-UP UNITS SUPPORTI SCORREVOLI



Tipo Type	Dimensioni - Dimensions																Coefficients di carico (N) Load ratings (N)		Cuscinetto Bearing	Supporto Housing	Peso Weight
	d	o	g	p	q	s	b	k	e	a	w	j	l	h	B	n	Dinamico C Dynamic C	Statico C <sub>0</sub> Static C <sub>0</sub>			
	mm/inch																				
<b>UCT305</b> UCT305-13 UCT305-14 UCT305-15 UCT305-16	25 13/16 7/8 15/16 1	16	14	62	36	26	65	12	80	89	122	36	26	76	38	15	20140	10355	<b>UC305</b> UC305-13 UC305-14 UC305-15 UC305-16	<b>T305</b>	1,4
<b>UCT306</b> UCT306-17 UCT306-18 UCT306-19	30 11/16 11/8 13/16	18	16	70	41	28	74	16	90	100	137	41	28	85	43	17	25365	14250	<b>UC306</b> UC306-17 UC306-18 UC306-19	<b>T306</b>	1,8
<b>UCT307</b> UCT307-20 UCT307-21 UCT307-22 UCT307-23	35 1 1/4 15/16 13/8 17/16	20	17	75	45	30	80	16	100	111	150	45	32	94	48	19	31730	18335	<b>UC307</b> UC307-20 UC307-21 UC307-22 UC307-23	<b>T307</b>	2,4
<b>UCT308</b> UCT308-24 UCT308-25	40 1 1/2 19/6	22	19	83	50	32	89	18	112	124	162	50	34	100	52	19	38665	22800	<b>UC308</b> UC308-24 UC308-25	<b>T308</b>	3,0
<b>UCT309</b> UCT309-26 UCT309-27 UCT309-28	45 15/8 11/16 1 3/4	24	20	90	55	34	97	18	125	138	178	55	38	110	57	22	46455	28025	<b>UC309</b> UC309-26 UC309-27 UC309-28	<b>T309</b>	4,0
<b>UCT310</b> UCT310-29 UCT310-30 UCT310-31	50 113/16 17/8 11/16	27	22	98	61	37	106	20	140	151	192	61	40	118	61	22	58900	36385	<b>UC310</b> UC310-29 UC310-30 UC310-31	<b>T310</b>	5,0
<b>UCT311</b> UCT311-32 UCT311-33 UCT311-34 UCT311-35	55 2 21/16 21/8 23/16	29	23	105	66	39	115	22	150	163	207	66	44	127	66	25	68020	42750	<b>UC311</b> UC311-32 UC311-33 UC311-34 UC311-35	<b>T311</b>	6,4
<b>UCT312</b> UCT312-36 UCT312-37 UCT312-38 UCT312-39	60 2 1/4 25/16 23/8 27/16	31	25	113	71	41	123	22	160	178	220	71	46	135	71	26	77805	49590	<b>UC312</b> UC312-36 UC312-37 UC312-38 UC312-39	<b>T312</b>	7,6
<b>UCT313</b> UCT313-40 UCT313-41	65 2 1/2 29/16	32	27	116	70	43	134	26	170	190	238	80	50	146	75	30	88065	56905	<b>UC313</b> UC313-40 UC313-41	<b>T313</b>	9,7
<b>UCT314</b> UCT314-42 UCT314-43 UCT314-44	70 25/8 21/16 2 3/4	36	27	130	85	46	140	26	180	202	252	90	52	155	78	33	98800	64790	<b>UC314</b> UC314-42 UC314-43 UC314-44	<b>T314</b>	11
<b>UCT315</b> UCT315-45 UCT315-46 UCT315-47 UCT315-48	75 213/16 27/8 215/16 3	36	27	132	85	46	150	26	192	216	262	90	55	160	82	32	107350	73340	<b>UC315</b> UC315-45 UC315-46 UC315-47 UC315-48	<b>T315</b>	14
<b>UCT316</b> UCT316-49 UCT316-50 UCT316-51	80 31/8 121/32 33/16	42	30	150	98	53	160	30	204	230	282	102	60	174	86	34	116850	82365	<b>UC316</b> UC316-49 UC316-50 UC316-51	<b>T316</b>	16
<b>UCT317</b> UCT317-52 UCT317-53 UCT317-55	85 3 1/4 35/16 37/16	42	32	152	98	53	170	32	214	240	298	102	64	183	96	40	126350	91960	<b>UC317</b> UC317-52 UC317-53 UC317-55	<b>T317</b>	20
<b>UCT318</b> UCT318-55 UCT318-56	90 37/16 3 1/2	46	32	160	106	57	175	32	228	255	312	110	66	192	96	40	135850	101650	<b>UC318</b> UC318-55 UC318-56	<b>T318</b>	22
<b>UCT319</b> UCT319-58 UCT319-59 UCT319-60	95 35/8 31/16 3 3/4	46	33	165	106	57	180	35	240	270	322	110	72	197	103	41	145350	113050	<b>UC319</b> UC319-58 UC319-59 UC319-60	<b>T319</b>	24
<b>UCT320</b> UCT320-61 UCT320-62 UCT320-63 UCT320-64	100 313/16 37/8 315/16 4	48	34	175	115	59	200	35	260	290	345	120	75	210	108	42	164350	133950	<b>UC320</b> UC320-61 UC320-62 UC320-63 UC320-64	<b>T320</b>	32
<b>UCT322</b>	110 - 21/16	52	38	185	125	65	215	38	285	320	385	130	80	235	117	46	194750	171000	<b>UC322</b>	<b>T322</b>	40
<b>UCT324</b>	120 - 23/8	60	42	210	140	70	230	45	320	355	432	140	90	267	126	51	196650	175750	<b>UC324</b>	<b>T324</b>	55
<b>UCT326</b>	130 - 29/16	65	45	220	150	75	240	50	350	385	465	150	100	285	135	54	217550	203300	<b>UC326</b>	<b>T326</b>	69
<b>UCT328</b>	140 - 2 3/4	70	50	230	160	80	255	50	380	415	515	155	100	315	145	59	240350	233700	<b>UC328</b>	<b>T328</b>	84

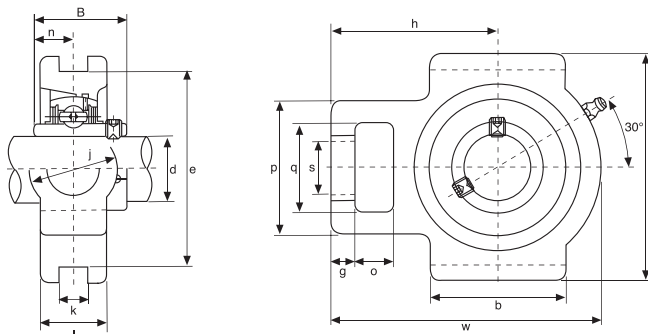
DOWNLOAD OUR CATALOG - SCARICA IL NOSTRO CATALOGO





Bearings & Components

## TAKE-UP UNITS SUPPORTI SCORREVOLI



Tipo Type	Dimensioni - Dimensions																Coefficienti di carico (N) Load ratings (N)		Cuscinetto Bearing	Supporto Housing	Peso Weight												
	d	o	g	p	q	s	b	k	e	a	w	j	l	h	B	n	Dinamico C Dynamic C	Statico C <sub>0</sub> Static C <sub>0</sub>				kg											
	mm/inch																																
<b>UCTX05</b> UCTX05-13 UCTX05-14 UCTX05-15 UCTX05-16	<b>25</b> 13/16 7/8 15/16 1	16	12	56	37	22	57	12	89	102	113	28	37	70	38,1	15,9	18525	10735	<b>UCX05</b> UCX05-13 UCX05-14 UCX05-15 UCX05-16	<b>TX05</b>	1,4												
<b>UCTX06</b> UCTX06-17 UCTX06-18 UCTX06-19 UCTX06-20	<b>30</b> 11/16 11/8 13/16 1 1/4	16	15	64	37	22	64	12	89	102	129	30	37	78	42,9	17,5			24415			14630	<b>UCX06</b> UCX06-17 UCX06-18 UCX06-19 UCX06-20	<b>TX06</b>	1,8								
<b>UCTX07</b> UCTX07-21 UCTX07-22 UCTX07-23	<b>35</b> 15/16 13/8 17/16	19	17	83	49	29	83	16	102	114	144	36	49	88	49,2	19							27645			16910	<b>UCX07</b> UCX07-21 UCX07-22 UCX07-23	<b>TX07</b>	2,6				
<b>UCTX08</b> UCTX08-24 UCTX08-25	<b>40</b> 1 1/2 19/16	19	17	83	49	29	83	16	102	117	144	36	49	87	49,2	19											32395			20235	<b>UCX08</b> UCX08-24 UCX08-25	<b>TX08</b>	2,6
<b>UCTX09</b> UCTX09-26 UCTX09-27 UCTX09-28 UCTX09-29	<b>45</b> 15/8 111/16 1 3/4 113/16	19	18	83	49	29	86	16	102	117	151	38	49	92	51,6	19															33345		
<b>UCTX10</b> UCTX10-30 UCTX10-31 UCTX10-32	<b>50</b> 17/8 115/16 2	25	21	102	64	35	95	22	130	146	171	42	64	106	55,6	22,2	41230	27930		<b>UCX10</b> UCX10-30 UCX10-31 UCX10-32	<b>TX10</b>												
<b>UCTX11</b> UCTX11-33 UCTX11-34 UCTX11-35 UCTX11-36 UCTX11-37	<b>55</b> 21/16 21/8 23/16 2 1/4 25/16	32	21	102	64	35	102	22	130	146	194	44	64	119	65,1	25,4			49780	34390		<b>UCX11</b> UCX11-33 UCX11-34 UCX11-35 UCX11-36 UCX11-37		<b>TX11</b>	5,2								
<b>UCTX12</b> UCTX12-38 UCTX12-39	<b>60</b> 23/8 27/16	32	23	111	70	41	121	26	151	167	224	48	70	137	65,1	25,4						54340	38095			<b>UCX12</b> UCX12-38 UCX12-39		<b>TX12</b>	7,6				
<b>UCTX13</b> UCTX13-40 UCTX13-41	<b>65</b> 2 1/2 29/16	32	23	111	70	41	121	26	151	167	224	48	70	137	74,6	30,2										59090	41895			<b>UCX13</b> UCX13-40 UCX13-41		<b>TX13</b>	7,6
<b>UCTX14</b> UCTX14-42 UCTX14-43 UCTX14-44	<b>70</b> 25/8 211/16 2 3/4	32	23	111	70	41	121	26	151	167	232	48	70	140	77,8	33,3														64030	45885		
<b>UCTX15</b> UCTX15-45 UCTX15-46 UCTX15-47 UCTX15-48	<b>75</b> 213/16 27/8 215/16 3	32	23	111	70	41	121	28	165	184	235	48	70	140	82,6	33,3	69065	50350			<b>UCX15</b> UCX15-45 UCX15-46 UCX15-47 UCX15-48												
<b>UCTX16</b> UCTX16-49 UCTX16-50 UCTX16-51 UCTX16-52	<b>80</b> 31/16 31/8 33/16 3 1/4	38	30	124	73	48	157	28	173	198	260	54	73	162	85,7	34,1			79800	58805	<b>UCX16</b> UCX16-49 UCX16-50 UCX16-51 UCX16-52			<b>TX16</b>	11								
<b>UCTX17</b> UCTX17-53 UCTX17-54	<b>85</b> 35/16 37/16	38	30	124	73	48	157	28	173	198	260	54	73	162	96	39,7					91295	67925	<b>UCX17</b> UCX17-53 UCX17-54					<b>TX17</b>	12				

DOWNLOAD OUR CATALOG - SCARICA IL NOSTRO CATALOGO



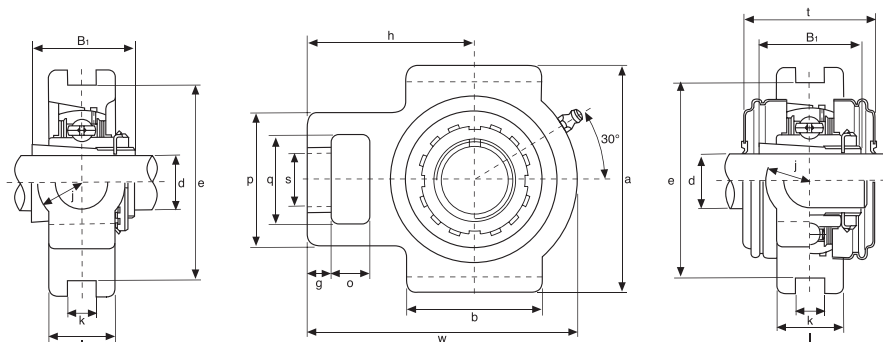
ООО "Технодрайв" тел.: 8(863) 223-20-99

email: info@technodrive.net

http://technodrive.pro



## TAKE-UP UNITS WITH ADAPTER SLEEVE SUPPORTI SCORREVOLI CON BUSSOLA



Tipo Type	Dimensioni - Dimensions																Coefficients di carico (N) Load ratings (N)		Cuscinetto Bearing	Supporto Housing	Peso Weight
	d	o	g	p	q	s	b	k	e	a	w	j	l	h	t	B <sub>i</sub>	Dinamico C Dynamic C <sub>d</sub>	Statico C <sub>s</sub> Static C <sub>s</sub>			
	mm/inch																				
UKT205+H2305 UKT205+HE2305	20 ¾	16 5/8	10 25/64	51 11/64	32 1¼	19 ¾	51 21/64	12 15/32	76 263/64	89 3½	97 313/16	32 1¼	24 15/16	62 27/16	48 17/8	35 1,378	13300	7457	UK205+H2305 UK205+HE2305	T205	0,86
UKT206+H2306 UKT206+HS2306 UKT206+HE2306	25 7/8 1	16 5/8	10 25/64	56 27/32	37 115/32	22 55/64	57 2¼	12 15/32	89 3½	102 41/64	113 429/64	37 129/64	28 13/32	70 2¾	53 23/32	38 1,496	18525	10735	UK206+H2306 UK206+HS2306 UK206+HE2306	T206	1,26
UKT207+H2307 UKT207+HS2307	30 11/8	16 5/8	13 33/64	64 233/64	37 115/32	22 55/64	64 233/64	12 15/32	89 3½	102 41/64	129 55/64	37 129/64	30 13/16	78 35/64	59,5 211/32	43 1,693	24415	14630	UK207+H2307 UK207+HS2307	T207	2,50
UKT208+H2308 UKT208+HE2308 UKT208+HS2308	35 1¼ 13/8	19 ¾	16 5/8	83 317/64	49 115/16	29 19/64	83 317/64	16 5/8	102 41/64	114 431/64	144 543/64	49 115/16	35 13/8	89 3½	69 223/32	46 1,811	27645	16910	UK208+H2308 UK208+HE2308 UK208+HS2308	T208	2,50
UKT209+H2309 UKT209+HA2309 UKT209+HE2309 UKT209+HS2309	40 17/16 1½ 15/8	19 ¾	16 5/8	83 317/64	49 115/16	29 19/64	83 317/64	16 5/8	102 41/64	117 439/64	144 543/64	49 115/16	35 13/8	87 327/64	69 223/32	50 1,969	32395	20235	UK209+H2309 UK209+HA2309 UK209+HE2309 UK209+HS2309	T209	2,51
UKT210+H2310 UKT210+HS2310 UKT210+HA2310 UKT210+HE2310	45 15/8 111/16 1¾	19 ¾	16 5/8	83 317/64	49 115/16	29 19/64	86 325/64	16 5/8	102 41/64	117 439/64	149 555/64	49 115/16	35 13/8	90 335/64	74,5 215/16	55 2,165	33345	22135	UK210+H2310 UK210+HS2310 UK210+HA2310 UK210+HE2310	T210	2,60
UKT211+H2311 UKT211+HS2311 UKT211+HA2311 UKT211+HE2311	50 17/8 115/16 2	25 63/64	19 ¾	102 41/64	64 21/32	35 13/8	95 3¾	22 55/64	130 51/8	146 5¾	171 647/64	64 233/64	41 15/8	106 411/64	76 3	59 2,323	41230	27930	UK211+H2311 UK211+HS2311 UK211+HA2311 UK211+HE2311	T211	4,26
UKT212+H2312 UKT212+HS2312	55 21/8	32 117/64	19 ¾	102 41/64	64 21/32	35 13/8	102 41/64	22 55/64	130 51/8	146 5¾	194 741/64	64 233/64	46 113/16	119 411/16	89 3½	62 2,441	49780	34390	UK212+H2312 UK212+HS2312	T212	5,02
UKT213+H2313 UKT213+HA2313 UKT213+HE2313 UKT213+HS2313	60 23/16 2¼ 23/8	32 117/64	21 53/64	111 43/8	70 2¾	41 139/64	121 449/64	26 11/32	151 515/16	167 6637/64	224 64813/16	70 2¾	51 2	137 525/64	89 3½	65 2,559	54340	38095	UK213+H2313 UK213+HA2313 UK213+HE2313 UK213+HS2313	T213	6,56
UKT215+H2315 UKT215+HA2315 UKT215+HE2315	65 27/16 2½	32 117/64	21 53/64	111 43/8	70 2¾	41 139/64	121 449/64	26 11/32	151 515/16	167 6637/64	232 99/64	70 2¾	48 157/64	140 533/64	- -	73 2,874	64030	45885	UK215+H2315 UK215+HA2315 UK215+HE2315	T215	7,52
UKT216+H2316 UKT216+HA2316 UKT216+HE2316	70 211/16 2¾	32 117/64	21 53/64	111 43/8	70 2¾	41 139/64	121 449/64	26 11/32	165 6½	184 7¼	235 9¼	70 2¾	51 2	140 533/64	- -	78 3,071	69065	50350	UK216+H2316 UK216+HA2316 UK216+HE2316	T216	8,56
UKT217+H2317 UKT217+HA2317 UKT217+HE2317	75 215/16 3	38 1½	29 19/64	124 47/8	73 27/8	48 157/64	157 63/16	30 13/16	173 613/16	198 751/64	260 1015/64	73 27/8	54 21/8	162 63/8	- -	82 3,228	79800	58805	UK217+H2317 UK217+HA2317 UK217+HE2317	T217	11,38

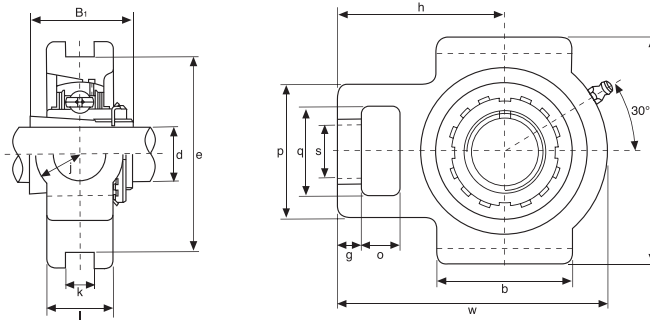
Bussole HA; HE; HS con filettatura in pollici  
Inch dimension adapter sleeves HA; HE; HS





Bearings & Components

## TAKE-UP UNITS WITH ADAPTER SLEEVE SUPPORTI SCORREVOLI CON BUSSOLA



Tipo Type	Dimensioni - Dimensions															Coefficients di carico (N) Load ratings (N)		Cuscinetto Bearing	Supporto Housing	Peso Weight
	d	o	g	p	q	s	b	k	e	a	w	l	j	h	B <sub>1</sub>	Dinamico C Dynamic C	Statico C <sub>0</sub> Static C <sub>0</sub>			
	mm/inch																			
<b>UKTX05+H2305</b> UCTX05+HE2305	<b>20</b> ¾	16 5/8	12 15/32	56 27/32	37 129/64	22 55/64	57 2¼	12 0,472	89 3½	102 41/64	113 429/64	28 13/32	37 129/64	70 2¾	35 1,378	18525	10735	<b>UKX05+H2305</b> UKX05+HE2305	<b>TX05</b>	1,3
<b>UKTX06+H2306</b> UKTX06+HS2306 UKTX06+HE2306	<b>25</b> 7/8 1	16 5/8	15 19/32	64 233/64	37 129/64	22 55/64	64 233/64	12 0,472	89 3½	102 41/64	129 55/64	30 13/16	37 129/64	78 35/64	38 1,496	24415	14630	<b>UKX06+H2306</b> UKX06+HS2306 UKX06+HE2306	<b>TX06</b>	1,7
<b>UKTX07+H2307</b> UKTX07+HS2307	<b>30</b> 11/8	19 ¾	17 21/32	83 317/64	49 115/16	29 19/64	83 317/64	16 0,630	102 41/64	114 431/64	144 543/64	36 113/32	49 115/16	88 315/32	43 1,811	27645	16910	<b>UKX07+H2307</b> UKX07+HS2307	<b>TX07</b>	2,6
<b>UKTX08+H2308</b> UKTX08+HE2308 UKTX08+HS2308	<b>35</b> 1¼ 13/8	19 ¾	17 21/32	83 317/64	49 115/16	29 19/64	83 317/64	16 0,630	102 41/64	117 439/64	144 543/64	36 113/32	49 115/16	87 327/64	46 1,811	32395	20235	<b>UKX08+H2308</b> UKX08+HE2308 UKX08+HS2308	<b>TX08</b>	2,6
<b>UKTX09+H2309</b> UKTX09+HA2309 UKTX09+HE2309 UKTX09+HS2309	<b>40</b> 17/16 1½ 15/8	19 ¾	18 23/32	83 317/64	49 115/16	29 19/64	86 325/64	16 0,630	102 41/64	117 439/64	151 515/16	38 1½	49 115/16	92 35/8	50 1,969	33345	22135	<b>UKX09+H2309</b> UKX09+HA2309 UKX09+HE2309 UKX09+HS2309	<b>TX09</b>	2,9
<b>UKTX10+H2310</b> UKTX10+HS2310 UKTX10+HA2310 UKTX10+HE2310	<b>45</b> 15/8 111/16 1¾	25 63/64	21 13/16	102 41/64	64 21/32	35 13/8	95 3¾	22 0,866	130 51/8	146 5¾	171 647/64	42 121/32	64 233/64	106 411/64	55 2,165	41230	27930	<b>UKX10+H2310</b> UKX10+HS2310 UKX10+HA2310 UKX10+HE2310	<b>TX10</b>	4,4
<b>UKTX11+H2311</b> UKTX11+HS2311 UKTX11+HA2311 UKTX11+HE2311	<b>50</b> 17/8 115/16 2	32 117/64	21 13/16	102 41/64	64 21/32	35 13/8	102 41/64	22 0,866	130 51/8	146 5¾	194 741/64	44 123/32	64 233/64	119 411/16	59 2,323	49780	34390	<b>UKX11+H2311</b> UKX11+HS2311 UKX11+HA2311 UKX11+HE2311	<b>TX11</b>	5,1
<b>UKTX12+H2312</b> UKTX12+HS2312	<b>55</b> 21/8	32 117/64	23 29/32	111 43/8	70 2¾	41 139/64	121 449/64	26 1,024	151 515/16	167 6637/64	224 813/16	48 157/64	70 2¾	137 525/64	62 2,441	54340	38095	<b>UKX12+H2312</b> UKX12+HS2312	<b>TX12</b>	7,3
<b>UKTX13+H2313</b> UKTX13+HA2313 UKTX13+HE2313 UKTX13+HS2313	<b>60</b> 23/16 2¼ 23/8	32 117/64	23 29/32	111 43/8	70 2¾	41 139/64	121 449/64	26 1,024	151 515/16	167 6637/64	224 813/16	48 157/64	70 2¾	137 525/64	65 2,559	59090	41895	<b>UKX13+H2313</b> UKX13+HA2313 UKX13+HE2313 UKX13+HS2313	<b>TX13</b>	7,2
<b>UKTX15+H2315</b> UKTX15+HA2315 UKTX15+HE2315	<b>65</b> 27/16 23/8	32 117/64	23 29/32	111 43/8	70 2¾	41 139/64	121 449/64	26 1,024	151 515/16	167 6637/64	232 99/64	48 157/64	70 2¾	140 533/64	73 3,559	69065	50350	<b>UKX15+H2315</b> UKX15+HA2315 UKX15+HS2315	<b>TX15</b>	8,4
<b>UKTX16+H2316</b> UKTX16+HA2316 UKTX16+HE2316	<b>70</b> 211/16 2¾	38 1½	30 13/16	124 47/8	73 27/8	48 157/64	157 63/16	28 1,102	173 613/16	198 751/64	260 1015/64	54 21/8	73 27/8	162 63/8	78 3,071	79800	58805	<b>UKX16+H2316</b> UKX16+HA2316 UKX16+HE2316	<b>TX16</b>	11,8
<b>UKTX17+H2317</b> UKTX17+HA2317 UKTX17+HS2317	<b>75</b> 215/16 3	38 1½	30 13/16	124 47/8	73 27/8	48 157/64	157 63/16	28 1,102	173 613/16	198 751/64	260 1015/64	54 21/8	73 27/8	162 63/8	82 3,228	91295	67925	<b>UKX17+H2317</b> UKX17+HA2317 UKX17+HE2317	<b>TX17</b>	11,4

Bussole HA; HE; HS con filettatura in pollici  
Inch dimension adapter sleeves HA; HE; HS

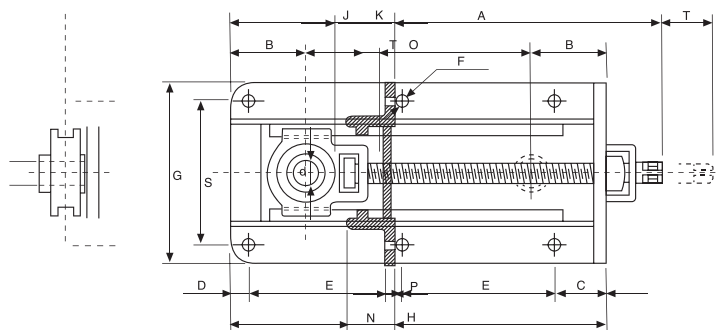






Bearings & Components

## STRETCH SKID FOR UCT PIASTRA CON TENDITORE PER UCT



Tipo Type	Dimensioni - Dimensions																Peso Weight
	d	A	B	C	D	E	F	G	H	J	K	N	O	P	S	T	
	mm/inch																
PUCT204	20	380	80	60	20	120	11	194	320	18,3	28	45	12,7	5	154	160	4,4
PUCT205	25	380	80	60	20	120	11	194	320	19,7	28	45	14,3	5	154	160	4,4
PUCT206	30	480	95	64	20	158	11	206	400	22,2	32	45	15,9	5	166	210	6,2
PUCT207	35	480	95	64	20	158	11	206	400	25,4	32	45	17,5	5	166	210	6,5
PUCT208	40	600	105	58	22	220	13	234	520	30,2	32	50	19	5	190	310	10,9
PUCT209	45	600	105	58	22	220	13	234	520	30,2	32	50	19	5	190	310	10,8
PUCT210	50	600	105	58	22	220	13	234	520	32,6	32	50	19	5	190	310	11
PUCT211	55	680	125	55	25	250	15	284	580	33,4	45	70	22,2	6	240	330	20,4
PUCT212	60	680	125	55	25	250	15	284	580	39,7	45	70	25,4	6	240	330	21,3
PUCT213	65	790	155	66	22	306	18	303	700	39,7	51	75	25,4	6	258	390	28,3
PUCT214	70	790	155	66	22	306	18	303	700	44,4	51	75	30,2	6	258	390	28,1
PUCT215	75	790	155	66	22	306	18	303	700	44,5	51	75	33,3	6	258	390	28,7
PUCT216	80	890	165	75	25	230*	18	336	790	49,3	62	90	33,3	10	286	460	38,2
PUCT217	85	920	180	75	25	240*	18	361	820	51,6	62	100	34,1	10	311	460	44

\* Piastre con quattro fori di fissaggio  
Stretch skid with four fixing hole

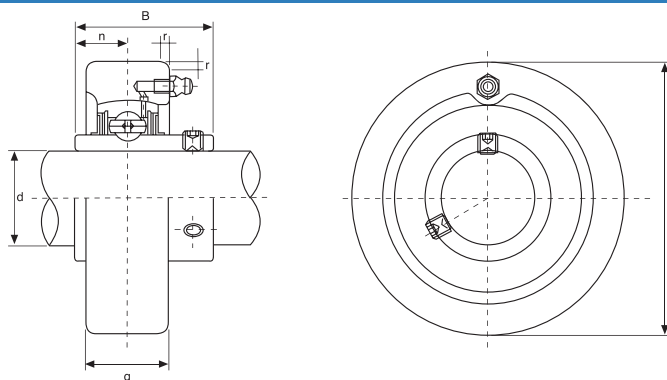
Tipo Type	Dimensioni - Dimensions																Peso Weight
	d	A	B	C	D	E	F	G	H	J	K	N	O	P	S	T	
	mm/inch																
PUCTX-05	25	480	95	64	20	158	11	206	400	22,2	32	45	15,9	5	166	210	6,8
PUCTX-06	30	480	95	64	20	158	11	206	400	25,4	32	45	17,5	5	166	210	7,0
PUCTX-07	35	600	105	58	22	220	13	234	520	30,2	32	50	19,0	5	190	310	11,1
PUCTX-08	40	600	105	58	22	220	13	234	520	30,2	32	50	19,0	5	190	310	11,1
PUCTX-09	45	600	105	58	22	220	13	234	520	32,6	32	50	19,0	5	190	310	11,3
PUCTX-10	50	680	125	55	25	250	15	284	580	33,4	45	70	22,2	6	240	330	20,1
PUCTX-11	55	680	125	55	25	250	15	284	580	39,7	45	70	25,4	6	240	330	20,9
PUCTX-12	60	790	155	66	22	306	18	303	700	39,7	51	75	25,4	6	258	390	28,1
PUCTX-13	65	790	155	66	22	306	18	303	700	44,4	51	75	30,2	6	258	390	28,3
PUCTX-14	70	790	155	66	22	306	18	303	700	44,5	51	75	33,3	6	258	390	28,6
PUCTX-15	75	890	165	75	25	230*	18	336	790	49,3	62	90	33,3	10	286	460	38,1
PUCTX-16	80	920	180	75	25	240*	18	365	820	51,6	62	100	34,1	10	315	460	49,5
PUCTX-17	85	920	180	75	25	240*	18	365	820	56,3	62	100	39,7	10	315	460	49,4

\* Piastre con quattro fori di fissaggio  
Stretch skid with four fixing hole





# CYLINDRICAL CARTRIDGE UNITS SUPPORTI A CARTUCCIA



Tipo Type	Dimensioni - Dimensions						Coefficienti di carico (N) Load ratings (N)		Cuscinetto Bearing	Supporto Housing	Peso Weight
	d	a	g	r	B	n	Dinamico C Dynamic C	Statico C <sub>0</sub> Static C <sub>0</sub>			
	mm/inch										kg
<b>UCC201</b>	<b>12</b>	72	20	2	31	12,7	12160	6318	<b>UC201</b>	<b>C204</b>	0,52
UCC201-8	½	2,8346	25/32	0,079	1,2205	0,500					0,51
<b>UCC202</b>	<b>15</b>	72	20	2	31	12,7	12160	6318	<b>UC202</b>	<b>C204</b>	0,51
UCC202-9	9/16	2,8346	25/32	0,079	1,2205	0,500					0,51
UCC202-10	5/8	2,8346	25/32	0,079	1,2205	0,500					0,51
<b>UCC203</b>	<b>17</b>	72	20	2	31	12,7	12160	6318	<b>UC203</b>	<b>C204</b>	0,50
UCC203-11	11/16	2,8346	25/32	0,079	1,2205	0,500					0,49
<b>UCC204</b>	<b>20</b>	72	20	2	31	12,7	12160	6318	<b>UC204</b>	<b>C204</b>	0,48
UCC204-12	¾	2,8346	25/32	0,079	1,2205	0,500					0,48
<b>UCC205</b>	<b>25</b>	80	22	2	34,1	14,3	13300	7457	<b>UC205</b>	<b>C205</b>	0,63
UCC205-13	13/16										0,67
UCC205-14	7/8	3,1496	55/64	0,079	1,3425	0,563					0,66
UCC205-15	15/16										0,64
UCC205-16	1										0,63
<b>UCC206</b>	<b>30</b>	85	27	2	38,1	15,9	18525	10735	<b>UC206</b>	<b>C206</b>	0,80
UCC206-17	11/16										0,83
UCC206-18	11/8	3,3465	11/16	0,079	1,5000	0,626					0,82
UCC206-19	13/16										0,80
UCC206-20	1¼										0,79
<b>UCC207</b>	<b>35</b>	90	28	2	42,9	17,5	24415	14630	<b>UC207</b>	<b>C207</b>	0,93
UCC207-20	1¼										0,99
UCC207-21	15/16	3,5433	17/64	0,079	1,6890	0,689					0,96
UCC207-22	13/8										0,93
UCC207-23	17/16										0,90
<b>UCC208</b>	<b>40</b>	100	30	2,5	49,2	19	27645	16910	<b>UC208</b>	<b>C208</b>	1,22
UCC208-24	1½	3,9370	13/16	0,098	1,9370	0,748					1,26
UCC208-25	19/16										1,23
<b>UCC209</b>	<b>45</b>	110	31	2,5	49,2	19	32395	20235	<b>UC209</b>	<b>C209</b>	1,49
UCC209-26	15/8										1,59
UCC209-27	111/16	4,3307	17/32	0,098	1,9370	0,748					1,55
UCC209-28	1¾										1,51
<b>UCC210</b>	<b>50</b>	120	33	2,5	51,6	19	33345	22135	<b>UC210</b>	<b>C210</b>	1,90
UCC210-29	113/16										2,02
UCC210-30	17/8	4,7244	119/64	0,098	2,0315	0,748					1,97
UCC210-31	115/16										1,92
UCC210-32	2										1,88
<b>UCC211</b>	<b>55</b>	125	35	2,5	55,6	22,2	41230	27930	<b>UC211</b>	<b>C211</b>	2,18
UCC211-32	2										2,33
UCC211-33	21/16	4,9213	13/8	0,098	2,1890	0,874					2,27
UCC211-34	21/8										2,22
UCC211-35	23/16										2,16
<b>UCC212</b>	<b>60</b>	130	38	2,5	65,1	25,4	49780	34390	<b>UC212</b>	<b>C212</b>	2,52
UCC212-36	2¼										2,65
UCC212-37	25/16	5,1181	1½	0,098	2,5630	1,000					2,57
UCC212-38	23/8										2,50
UCC212-39	27/16										2,43
<b>UCC213</b>	<b>65</b>	140	40	3	65,1	25,4	54340	38095	<b>UC213</b>	<b>C213</b>	2,98
UCC213-40	2½	5,5118	137/64	0,118	2,5630	1,000					3,07
UCC213-41	29/16										2,98

Disponibile in acciaio inox Supporto: AISI 304 - Cuscinetto: AISI 440C o 420C - Available stainless steel Housing: AISI 304 - Bearing: AISI 440C or 420C  
Disponibile su richiesta con cuscinetto SA (SACC) - Available under request with SA bearing (SACC)

DOWNLOAD OUR CATALOG - SCARICA IL NOSTRO CATALOGO



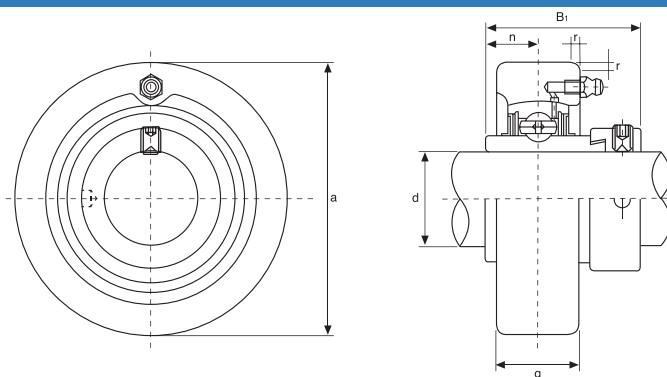
ООО "Технодрайв" тел.: 8(863) 223-20-99

email: info@technodrive.net

http://technodrive.pro



## CYLINDRICAL CARTRIDGE UNITS SUPPORTI A CARTUCCIA



Tipo Type	Dimensioni - Dimensions						Coefficients di carico (N) Load ratings (N)		Cuscinetto Bearing	Supporto Housing	Peso Weight
	d	a	g	r	B <sub>1</sub>	n	Dinamico C Dynamic C	Statico C <sub>0</sub> Static C <sub>0</sub>			
	mm/inch										kg
<b>HCC204</b>	<b>20</b>	72	20	2	43,7	17,1	12160	6318	<b>HC204</b>	<b>C204</b>	0,55
HCC204-12	¾	2,8346	25/32	0,079	1,720	0,673			HC204-12		0,55
<b>HCC205</b>	<b>25</b>	80	22	2	44,4	17,5	13300	7457	<b>HC205</b>	<b>C205</b>	0,70
HCC205-13	13/16	3,1496	55/64	0,079	1,748	0,689			HC205-13		0,75
HCC205-14	7/8								HC205-14		0,74
HCC205-15	15/16								HC205-15		0,72
HCC205-16	1								HC205-16		0,70
<b>HCC206</b>	<b>30</b>						85	27	2	48,4	18,3
HCC206-17	11/16	3,3465	11/16	0,079	1,906	0,720	HC206-17	0,98			
HCC206-18	11/8						HC206-18	0,95			
HCC206-19	13/16						HC206-19	0,93			
HCC206-20	1¼						HC206-20	0,90			
<b>HCC207</b>	<b>35</b>						90	28	2	51,1	18,8
HCC207-20	1¼	3,5433	17/64	0,079	2,012	0,740	HC207-20	1,12			
HCC207-21	15/16						HC207-21	1,08			
HCC207-22	13/8						HC207-22	1,05			
HCC207-23	17/16						HC207-23	1,02			
<b>HCC208</b>	<b>40</b>						100	30	2,5	56,3	21,4
HCC208-24	1½	3,9370	13/16	0,098	2,217	0,843	HC208-24	1,42			
HCC208-25	19/16						HC208-25	1,38			
<b>HCC209</b>	<b>45</b>						110	31	2,5	56,3	21,4
HCC209-26	15/8	4,3307	17/32	0,098	2,217	0,843	HC209-26	1,77			
HCC209-27	111/16						HC209-27	1,72			
HCC209-28	1¾						HC209-28	1,68			
<b>HCC210</b>	<b>50</b>						120	33	2,5	62,7	24,6
HCC210-29	113/16	4,7244	119/64	0,098	2,469	0,969	HC210-29	2,24			
HCC210-30	17/8						HC210-30	2,18			
HCC210-31	115/16						HC210-31	2,12			
HCC210-32	2						HC210-32	2,06			
<b>HCC211</b>	<b>55</b>						125	35	2,5	71,4	27,8
HCC211-32	2	4,9213	13/8	0,098	2,811	1,094	HC211-32	2,59			
HCC211-33	22/16						HC211-33	2,51			
HCC211-34	21/8						HC211-34	2,44			
HCC211-35	23/16						HC211-35	2,36			
<b>HCC212</b>	<b>60</b>						130	38	2,5	77,8	31
HCC212-36	2¼	5,1181	1½	0,098	3,063	1,220	HC212-36	3,02			
HCC212-37	25/16						HC212-37	2,93			
HCC212-38	23/8						HC212-38	2,88			
HCC212-39	27/16						HC212-39	2,75			

DOWNLOAD OUR CATALOG - SCARICA IL NOSTRO CATALOGO



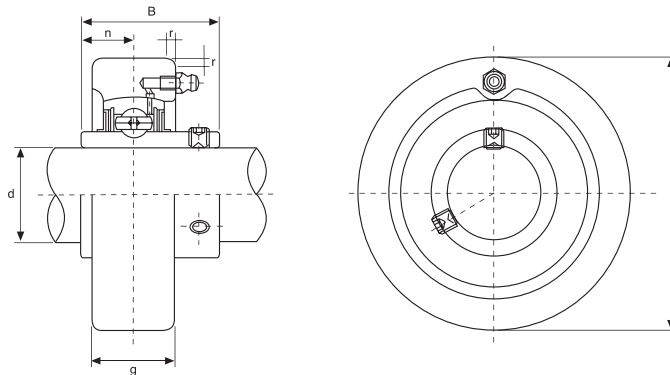
ООО "Технодрайв" тел.: 8(863) 223-20-99

email: info@technodrive.net

http://technodrive.pro



# CYLINDRICAL CARTRIDGE UNITS SUPPORTI A CARTUCCIA



Tipo Type	Dimensioni - Dimensions						Coefficienti di carico (N) Load ratings (N)		Cuscinetto Bearing	Supporto Housing	Peso Weight
	d	a	g	r	B	n	Dinamico C Dynamic C	Statico C <sub>0</sub> Static C <sub>0</sub>			
	mm/inch										
<b>UCC305</b> UCC305-13 UCC305-14 UCC305-15 UCC305-16	<b>25</b> 13/16 7/8 15/16 1	90 3,5433	26 11/32	2,5 0,098	38 1,4961	15 0,591	20140	10355	<b>UC305</b> UC305-13 UC305-14 UC305-15 UC305-16	<b>C305</b>	1,10 1,15 1,13 1,11 1,10
<b>UCC306</b> UCC306-17 UCC306-18 UCC306-19	<b>30</b> 11/16 11/8 13/16	100 3,9370	28 17/64	2,5 0,098	43 1,6929	17 0,669	25365	14250	<b>UC306</b> UC306-17 UC306-18 UC306-19	<b>C306</b>	1,40 1,45 1,42 1,40
<b>UCC307</b> UCC307-20 UCC307-21 UCC307-22 UCC307-23	<b>35</b> 1 1/4 15/16 13/8 17/16	110 4,3307	32 11/64	3 0,118	48 1,8897	19 0,748	31730	18335	<b>UC307</b> UC307-20 UC307-21 UC307-22 UC307-23	<b>C307</b>	1,80 1,86 1,83 1,80 1,78
<b>UCC308</b> UCC308-24 UCC308-25	<b>40</b> 1 1/2 19/16	120 4,7244	34 111/32	3 0,118	52 2,0472	19 0,748	38665	22800	<b>UC308</b> UC308-24 UC308-25	<b>C308</b>	2,20 2,25 2,21
<b>UCC309</b> UCC309-26 UCC309-27 UCC309-28	<b>45</b> 15/8 111/16 1 3/4	130 2,1181	38 1 1/2	3,5 0,138	57 2,441	22 0,866	46455	28025	<b>UC309</b> UC309-26 UC309-27 UC309-28	<b>C309</b>	2,70 2,81 2,77 2,72
<b>UCC310</b> UCC310-29 UCC310-30 UCC310-31	<b>50</b> 113/16 17/8 115/16	140 5,118	40 137/64	3,5 0,138	61 2,4015	22 0,866	58900	36385	<b>UC310</b> UC310-29 UC310-30 UC310-31	<b>C310</b>	3,30 3,62 3,39 3,33
<b>UCC311</b> UCC311-32 UCC311-33 UCC311-34 UCC311-35	<b>55</b> 2 21/16 21/8 23/16	150 5,9055	44 147/64	3,5 0,138	66 2,5984	25 0,984	68020	42750	<b>UC311</b> UC311-32 UC311-33 UC311-34 UC311-35	<b>C311</b>	3,90 1,08 4,01 3,95 3,87
<b>UCC312</b> UCC312-36 UCC312-37 UCC312-38 UCC312-39	<b>60</b> 2 1/4 25/16 23/8 27/16	160 6,2992	46 113/16	3,5 0,138	71 2,7953	26 1,024	77805	49590	<b>UC312</b> UC312-36 UC312-37 UC312-38 UC312-39	<b>C312</b>	4,80 4,95 4,87 4,78 4,70
<b>UCC313</b> UCC313-40 UCC313-41	<b>65</b> 2 1/2 29/16	170 6,6929	50 131/32	3,5 0,138	75 2,9528	30 1,181	88065	56905	<b>UC313</b> UC313-40 UC313-41	<b>C313</b>	5,80 5,89 5,89
<b>UCC314</b> UCC314-42 UCC314-43 UCC314-44	<b>70</b> 25/8 211/16 2 3/4	180 7,0866	52 23/64	4 0,157	78 3,0709	33 1,299	98800	64790	<b>UC314</b> UC314-42 UC314-43 UC314-44	<b>C314</b>	6,60 6,82 6,71 6,61
<b>UCC315</b> UCC315-45 UCC315-46 UCC315-47 UCC315-48	<b>75</b> 213/16 27/8 215/16 3	190 7,4803	55 211/64	4 0,157	82 3,2288	32 1,260	107350	73340	<b>UC315</b> UC315-45 UC315-46 UC315-47 UC315-48	<b>C315</b>	7,80 8,07 7,93 7,84 7,71
<b>UCC316</b> UCC316-49 UCC316-50 UCC316-51	<b>80</b> 31/16 31/8 33/16	200 7,8740	60 223/64	4 0,157	86 3,3858	34 1,339	116850	82365	<b>UC316</b> UC316-49 UC316-50 UC316-51	<b>C316</b>	9,05 9,22 9,08 8,99
<b>UCC317</b> UCC317-52 UCC317-53 UCC317-54	<b>85</b> 3 1/4 35/16 37/16	215 8,4646	64 234/64	4 0,157	96 3,7795	40 1,575	126350	91960	<b>UC317</b> UC317-52 UC317-53 UC317-54	<b>C317</b>	10,97 11,19 11,06 10,74
<b>UCC318</b> UCC318-55 UCC318-56	<b>90</b> 37/16 3 1/2	225 8,8583	66 216/32	4 0,157	96 3,7795	40 1,575	135850	101650	<b>UC318</b> UC318-55 UC318-56	<b>C318</b>	11,96 12,25 12,07
<b>UCC319</b> UCC319-58 UCC319-59 UCC319-60	<b>95</b> 35/8 311/16 3 3/4	240 9,4488	66 253/64	4 0,157	103 4,0551	41 1,614	145350	113050	<b>UC319</b> UC319-58 UC319-59 UC319-60	<b>C319</b>	15,00 15,33 15,15 14,96
<b>UCC320</b> UCC320-64	<b>100</b> 4	260 10,2362	75 261/64	4 0,157	108 4,2519	42 1,645	164350	133950	<b>UC320</b> UC320-64	<b>C320</b>	19,6 19,4
<b>UCC322</b>	<b>110</b>	320 11,8110	90 32/32	5 0,197	126 4,6063	46 1,811	194750	171000	<b>UC322</b>	<b>C322</b>	29,2
<b>UCC324</b>	<b>120</b>	370 12,5984	290 335/64	5 0,197	40 4,9606	51 2,008	196650	175750	<b>UC324</b>	<b>C324</b>	35,9
<b>UCC326</b>	<b>130</b>	340 13,3858	100 315/16	5 0,197	135 5,3150	54 2,126	217550	203300	<b>UC326</b>	<b>C326</b>	43,0
<b>UCC328</b>	<b>140</b>	360 14,1732	100 315/16	5 0,197	145 5,7086	59 3,323	240350	233700	<b>UC328</b>	<b>C328</b>	52,9

DOWNLOAD OUR CATALOG - SCARICA IL NOSTRO CATALOGO



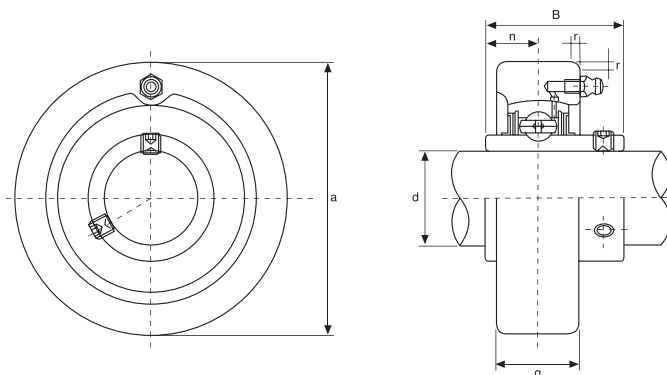
ООО "Технодрайв" тел.: 8(863) 223-20-99

email: info@technodrive.net

http://technodrive.pro



## CYLINDRICAL CARTRIDGE UNITS SUPPORTI A CARTUCCIA

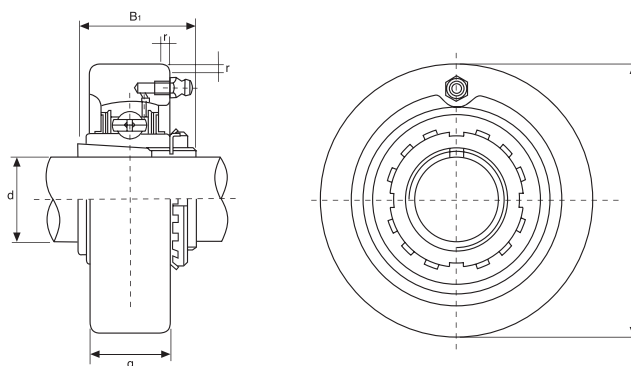


Tipo Type	Dimensioni - Dimensions						Coefficients di carico (N) Load ratings (N)		Cuscinetto Bearing	Supporto Housing	Peso Weight
	d	a	g	r	B	n	Dinamico C Dynamic C	Statico C <sub>0</sub> Static C <sub>0</sub>			
	mm/inch										kg
<b>UCCX05</b>	<b>25</b>	90	27	2	38,1	15,9			<b>UCX05</b>		
UCCX05-13	13/16								UCX05-13		
UCCX05-14	7/8	3,5433	11/16	0,079	1,5000	0,626	18525	10735	UCX05-14	<b>CX05</b>	1,1
UCCX05-15	15/16								UCX05-15		
UCCX05-16	1								UCX05-16		
<b>UCCX06</b>	<b>30</b>	100	30	2,5	42,9	17,5			<b>UCX06</b>		
UCCX06-17	11/16								UCX06-17		
UCCX06-18	11/8	3,9370	13/16	0,098	1,6890	0,689	24415	14630	UCX06-18	<b>CX06</b>	1,6
UCCX06-19	13/16								UCX06-19		
UCCX06-20	1¼								UCX06-20		
<b>UCCX07</b>	<b>35</b>	110	34	2,5	49,2	19			<b>UCX07</b>		
UCCX07-21	15/16								UCX07-21		
UCCX07-22	13/8	4,3307	111/32	0,098	1,9370	0,748	27645	16910	UCX07-22	<b>CX07</b>	2,0
UCCX07-23	17/16								UCX07-23		
<b>UCCX08</b>	<b>40</b>	120	38	2,5	49,2	19			<b>UCX08</b>		
UCCX08-24	1½	4,7244	1½	0,098	1,9370	0,748	32395	20235	UCX08-24	<b>CX08</b>	2,5
UCCX08-25	19/16								UCX08-25		
<b>UCCX09</b>	<b>45</b>	120	38	2,5	51,6	19			<b>UCX09</b>		
UCCX09-26	15/8								UCX09-26		
UCCX09-27	111/16	4,7244	1½	0,098	2,0315	0,748	33345	22135	UCX09-27	<b>CX09</b>	2,4
UCCX09-28	1¾								UCX09-28		
UCCX09-29	113/16								UCX09-29		
<b>UCCX10</b>	<b>50</b>	130	40	2,5	55,6	22,2			<b>UCX10</b>		
UCCX10-30	17/8								UCX10-30		
UCCX10-31	115/16	5,1181	137/64	0,098	2,1890	0,874	41230	27930	UCX10-31	<b>CX10</b>	3,0
UCCX10-32	2								UCX10-32		
<b>UCCX11</b>	<b>55</b>	150	42	3	65,1	25,4			<b>UCX11</b>		
UCCX11-33	21/16								UCX11-33		
UCCX11-34	21/8	5,9055	121/32	0,118	2,5630	1,000	49780	34390	UCX11-34	<b>CX11</b>	4,4
UCCX11-35	23/16								UCX11-35		
UCCX11-36	2¼								UCX11-36		
UCCX11-37	25/16								UCX11-37		
<b>UCCX12</b>	<b>60</b>	160	44	3	65,1	25,4			<b>UCX12</b>		
UCCX12-38	23/8	6,2992	147/64	0,118	2,5630	1,000	54340	38095	UCX12-38	<b>CX12</b>	5,0
UCCX12-39	27/16								UCX12-39		



Bearings & Components

## CYLINDRICAL CARTRIDGE UNITS WITH ADAPTER SLEEVE SUPPORTI A CARTUCCIA CON BUSSOLA



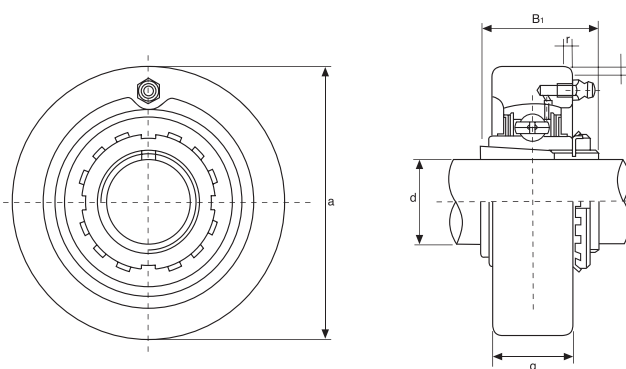
Tipo Type	Dimensioni - Dimensions					Coefficients di carico (N) Load ratings (N)		Cuscinetto Bearing	Supporto Housing	Peso Weight
	d	a	g	r	B <sub>1</sub>	Dinamico C Dynamic C	Statico C <sub>0</sub> Static C <sub>0</sub>			
	mm/inch									kg
<b>UKC205+H2305</b>	<b>20</b>	80	22	2	35	13300	7457	<b>UK205+H2305</b>	<b>C205</b>	0,68
UKC205+HE2305	¾	3,1496	55/64	0,079	1,378			UK205+HE2305		
<b>UKC206+H2306</b>	<b>25</b>	85	27	2	38	18525	10735	<b>UK206+H2306</b>	<b>C206</b>	0,84
UKC206+HS2306	7/8	3,3465	11/16	0,079	1,496			UK206+HS2306		
UKC206+HE2306	1							UK206+HE2306		
<b>UKC207+H2307</b>	<b>30</b>	90	28	2	43	24415	14630	<b>UK207+H2307</b>	<b>C207</b>	1,02
UKC207+HS2307	11/8	3,5433	17/64	0,079	1,693			UK207+HS2307		
<b>UKC208+H2308</b>	<b>35</b>	100	30	2,5	46	27645	16910	<b>UK208+H2308</b>	<b>C208</b>	1,32
UKC208+HE2308	1¼	3,9370	13/16	0,098	1,811			UK208+HE2308		
UKC208+HS2308	13/8							UK208+HS2308		
<b>UKC209+H2309</b>	<b>40</b>	110	31	2,5	50	32395	20235	<b>UK209+H2309</b>	<b>C209</b>	1,64
UKC209+HA2309	17/16							UK209+HA2309		
UKC209+HE2309	1½	4,3307	17/32	0,098	1,969			UK209+HE2309		
UKC209+HS2309	15/8							UK209+HS2309		
<b>UKC210+H2310</b>	<b>45</b>	120	33	2,5	55	33345	22135	<b>UK210+H2310</b>	<b>C210</b>	2,07
UKC210+HS2310	15/8							UK210+HS2310		
UKC210+HA2310	111/16	4,7244	119/64	0,098	2,165			UK210+HA2310		
UKC210+HE2310	1¾							UK210+HE2310		
<b>UKC211+H2311</b>	<b>50</b>	125	35	2,5	59	41230	27930	<b>UK211+H2311</b>	<b>C211</b>	2,33
UKC211+HS2311	17/8							UK211+HS2311		
UKC211+HA2311	115/16	4,9213	13/6	0,098	2,323			UK211+HA2311		
UKC211+HE2311	2							UK211+HE2311		
<b>UKC212+H2312</b>	<b>55</b>	130	38	2,5	62	49780	34390	<b>UK212+H2312</b>	<b>C212</b>	2,57
UKC212+HS2312	21/8	5,1181	1½	0,098	2,441			UK212+HS2312		
<b>UKC213+H2313</b>	<b>60</b>	140	40	3	65	54340	38095	<b>UK213+H2313</b>	<b>C213</b>	2,89
UKC213+HA2313	23/16							UK213+HA2313		
UKC213+HE2313	2¼	5,5118	137/64	0,118	2,559			UK213+HE2313		
UKC213+HS2313	23/8							UK213+HS2313		

Bussole HA; HE; HS con filettatura in pollici  
Inch dimension adapter sleeves HA; HE; HS





# CYLINDRICAL CARTRIDGE UNITS WITH ADAPTER SLEEVE SUPPORTI A CARTUCCIA CON BUSSOLA



Tipo Type	Dimensioni - Dimensions					Coefficienti di carico (N) Load ratings (N)		Cuscinetto Bearing	Supporto Housing	Peso Weight
	d	a	g	r	B <sub>1</sub>	Dinamico C Dynamic C	Statico C <sub>0</sub> Static C <sub>0</sub>			
	mm/inch									kg
<b>UKCX05+H2305</b>	<b>20</b>	90	27	2	35	18525	10735	<b>UKX05+H2305</b>	<b>CX05</b>	0,99
UKCX05+HE2305	¾	3,5433	11/16	0,079	1,378			UKX05+HE2305		
<b>UKCX06+H2306</b>	<b>25</b>	100	30	2,5	38	24415	14630	<b>UKX06+H2306</b>	<b>CX06</b>	1,3
UKCX06+HS2306	7/8	3,9370	13/16	0,098	1,496			UKX06+HS2306		
UKCX06+HE2306	1							UKX06+HE2306		
<b>UKCX07+H2307</b>	<b>30</b>	110	34	2,5	43	27645	16910	<b>UKX07+H2307</b>	<b>CX07</b>	1,7
UKCX07+HS2307	11/8	4,3307	111/32	0,098	1,693			UKX07+HS2307		
<b>UKCX08+H2308</b>	<b>35</b>	120	38	2,5	46	32395	20235	<b>UKX08+H2308</b>	<b>CX08</b>	2,3
UKCX08+HE2308	1¼	4,7244	1½	0,098	1,811			UKX08+HE2308		
UKCX08+HS2308	13/8							UKX08+HS2308		
<b>UKCX09+H2309</b>	<b>40</b>	120	38	2,5	50	33345	22135	<b>UKX09+H2309</b>	<b>CX09</b>	2,3
UKCX09+HA2309	17/16							UKX09+HA2309		
UKCX09+HE2309	1½	4,7244	1½	0,098	1,969			UKX09+HE2309		
UKCX09+HS2309	15/8							UKX09+HS2309		
<b>UKCX10+H2310</b>	<b>45</b>	130	40	2,5	55	41230	27930	<b>UKX10+H2310</b>	<b>CX10</b>	2,8
UKCX10+HS2310	15/8							UKX10+HS2310		
UKCX10+HA2310	111/16	5,1181	137/64	0,098	2,165			UKX10+HA2310		
UKCX10+HE2310	1¾							UKX10+HE2310		
<b>UKCX11+H2311</b>	<b>50</b>	150	42	3	59	49780	34390	<b>UKX11+H2311</b>	<b>CX11</b>	3,8
UKCX11+HS2311	117/8							UKX11+HS2311		
UKCX11+HA2311	115/16	5,9055	121/32	0,118	2,323			UKX11+HA2311		
UKCX11+HE2311	2							UKX11+HE2311		
<b>UKCX12+H2312</b>	<b>55</b>	130	38	2,5	62	54340	38095	<b>UKX12+H2312</b>	<b>CX12</b>	4,4
UKCX12+HS2312	21/8	6,2992	123/32	0,118	2,441			UKX12+HS2312		

Bussole HA; HE; HS con filettatura in pollici  
Inch dimension adapter sleeves HA; HE; HS

DOWNLOAD OUR CATALOG - SCARICA IL NOSTRO CATALOGO



ООО "Технодрайв" тел.: 8(863) 223-20-99

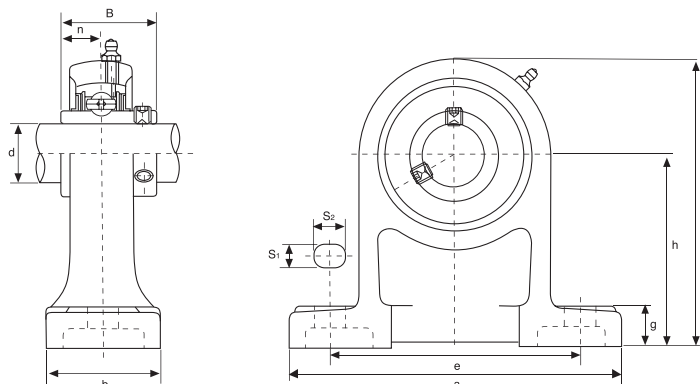
email: info@technodrive.net

http://technodrive.pro



Bearings & Components

# PEDESTAL PILLOW BLOCKS SUPPORTI RITTI CON PIEDISTALLO



Tipo Type	Dimensioni - Dimensions											Bull. fiss. Bolt Size	Coefficienti di carico (N) Load ratings (N)		Cuscinetto Bearing	Supporto Housing	Peso Weight
	d	h	a	e	b	S <sub>1</sub>	S <sub>2</sub>	g	w	B	n		Dinamico C Dynamic C	Statico C <sub>0</sub> Static C <sub>0</sub>			
	mm/inch												mm/inch				
<b>UCPH201</b> UCPH201-8	12 ½	70 2¾	127 5	95 3¾	40 19/16	13 ½	19 ¾	15 19/32	101 363/64	31 1,2205	12,7 0,500	M10 3/8	12160	6318	<b>UC201</b> UC201-8	<b>PH203</b>	0,81 0,80
<b>UCPH202</b> UCPH202-9 UCPH202-10	15 9/16 5/8	70 2¾	127 5	95 3¾	40 19/16	13 ½	19 ¾	15 19/32	101 363/64	31 1,2205	12,7 0,500	M10 3/8	12160	6318	<b>UC202</b> UC202-9 UC202-10	<b>PH203</b>	0,80 0,80 0,80
<b>UCPH203</b> UCPH203-11	17 11/16	70 2¾	127 5	95 3¾	40 19/16	13 ½	19 ¾	15 19/32	101 363/64	31 1,2205	12,7 0,500	M10 3/8	12160	6318	<b>UC203</b> UC203-11	<b>PH203</b>	0,79 0,78
<b>UCPH204</b> UCPH204-12	20 ¾	70 2¾	127 5	95 3¾	40 19/16	13 ½	19 ¾	15 19/32	101 363/64	31 1,2205	12,7 0,500	M10 3/8	12160	6318	<b>UC204</b> UC204-12	<b>PH204</b>	0,77 0,77
<b>UCPH205</b> UCPH205-13 UCPH205-14 UCPH205-15 UCPH205-16	25 13/16 7/8 15/16 1	80 35/32	140 5½	105 41/8	50 131/32	13 ½	19 ¾	16 5/8	114 431/64	34,1 1,3425	14,3 0,563	M10 3/8	13300	7457	<b>UC205</b> UC205-13 UC205-14 UC205-15 UC205-16	<b>PH205</b>	1,01 1,05 1,04 1,02 1,01
<b>UCPH206</b> UCPH206-17 UCPH206-18 UCPH206-19 UCPH206-20	30 11/16 11/8 13/16 1¼	90 335/64	161 611/32	121 4¾	50 131/32	17 43/64	21 53/64	17 43/64	130 51/8	38,1 1,5000	15,9 0,626	M14 ½	18525	10735	<b>UC206</b> UC206-17 UC206-18 UC206-19 UC206-20	<b>PH206</b>	1,47 1,50 1,49 1,47 1,46
<b>UCPH207</b> UCPH207-20 UCPH207-21 UCPH207-22 UCPH207-23	35 1¼ 15/16 13/8 17/16	95 347/64	166 617/32	127 5	60 223/64	17 43/64	21 53/64	18 45/64	140 533/64	42,9 1,6890	17,5 0,689	M14 ½	24415	14630	<b>UC207</b> UC207-20 UC207-21 UC207-22 UC207-23	<b>PH207</b>	1,91 1,97 1,94 1,91 1,88
<b>UCPH208</b> UCPH208-24 UCPH208-25	40 1½ 19/16	100 315/16	178 71/64	137 513/32	70 2¾	17 43/64	21 53/64	19 ¾	150 529/32	49,2 1,9370	19 0,748	M14 ½	27645	16910	<b>UC208</b> UC208-24 UC208-25	<b>PH208</b>	2,52 2,56 2,53
<b>UCPH209</b> UCPH209-26 UCPH209-27 UCPH209-28	45 15/8 111/16 1¾	105 49/64	189 77/16	146 5¾	70 2¾	17 43/64	21 53/64	20 25/32	158 67/32	49,2 1,9370	19 0,748	M14 ½	32395	20235	<b>UC209</b> UC209-26 UC209-27 UC209-28	<b>PH209</b>	2,72 2,82 2,78 2,74
<b>UCPH210</b> UCPH210-29 UCPH210-30 UCPH210-31 UCPH210-32	50 113/16 17/8 115/16 2	110 421/64	205 85/64	159 6¾	70 2¾	20 25/32	23 29/32	21 53/64	165 6½	51,6 2,0315	19 0,748	M16 5/8	33345	22135	<b>UC210</b> UC210-29 UC210-30 UC210-31 UC210-32	<b>PH210</b>	3,10 3,22 3,17 3,12 3,08
<b>UCPH211</b> UCPH211-32 UCPH211-33 UCPH211-34 UCPH211-35	55 2 21/16 21/8 23/16	120 423/32	219 85/8	171 647/64	75 261/64	20 25/32	23 29/32	22 55/64	181 71/8	55,6 2,1890	22,2 0,874	M16 5/8	41230	27930	<b>UC211</b> UC211-32 UC211-33 UC211-34 UC211-35	<b>PH211</b>	- - - -
<b>UCPH212</b> UCPH212-36 UCPH212-37 UCPH212-38 UCPH212-39	60 2¼ 25/16 23/8 27/16	130 51/8	241 9½	184 7¼	85 311/32	20 25/32	23 29/32	25 63/64	197 7¾	65,1 2,5630	25,4 1,000	M16 5/8	49780	34390	<b>UC212</b> UC212-36 UC212-37 UC212-38 UC212-39	<b>PH212</b>	- - - -
<b>UCPH213</b> UCPH213-40 UCPH213-41	65 2½ 29/16	140 533/64	265 107/16	203 8	95 3¾	25 63/64	28 13/32	27 11/16	212 811/32	65,1 2,5630	25,4 1,000	M20 ¾	54340	38095	<b>UC213</b> UC213-40 UC213-41	<b>PH213</b>	- - -
<b>UCPH214</b> UCPH214-42 UCPH214-43 UCPH214-44	70 25/8 211/16 2¾	150 529/32	266 1015/32	210 817/64	105 59/64	25 63/64	28 13/32	28 17/64	225 855/64	74,6 2,9370	30,2 1,189	M20 ¾	59090	41895	<b>UC214</b> UC214-42 UC214-43 UC214-44	<b>PH214</b>	- - -
<b>UCPH215</b> UCPH215-45 UCPH215-46 UCPH215-47 UCPH215-48	75 213/16 27/8 215/16 3	160 519/64	275 1053/64	217 835/64	115 417/32	25 63/64	28 13/32	29 19/64	238 93/8	77,8 3,0630	33,3 1,311	M20 ¾	64030	45885	<b>UC215</b> UC215-45 UC215-46 UC215-47 UC215-48	<b>PH215</b>	- - - -
<b>UCPH216</b> UCPH216-49 UCPH216-50 UCPH216-51	80 31/16 31/8 33/16	170 611/16	292 11½	232 91/8	125 459/64	25 63/64	28 13/32	30 13/16	253 961/64	82,6 3,2520	33,3 1,311	M20 ¾	69065	50350	<b>UC216</b> UC216-49 UC216-50 UC216-51	<b>PH216</b>	- - -

Disponibile in acciaio inox Supporto: AISI 304 - Cuscinetto: AISI 440C o 420C - Available stainless steel Housing: AISI 304 - Bearing: AISI 440C or 420C  
Disponibile su richiesta con cuscinetto SA (SAPH) - Available under request with SA bearing (SAPH)

DOWNLOAD OUR CATALOG - SCARICA IL NOSTRO CATALOGO



ООО "Технодрайв" тел.: 8(863) 223-20-99

email: info@technodrive.net

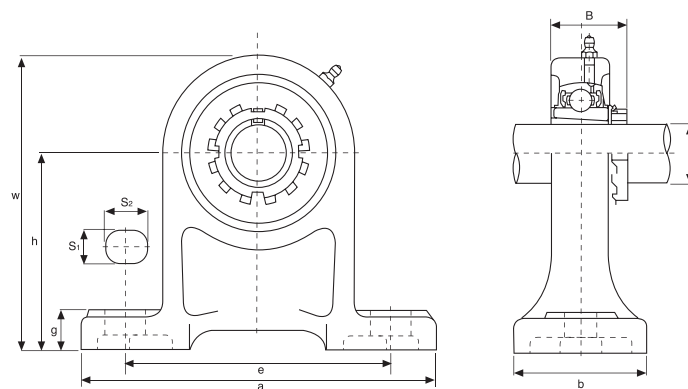
http://technodrive.pro





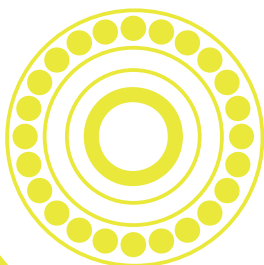
Bearings & Components

## PEDESTAL PILLOW BLOCKS WITH ADAPTER SLEEVE SUPPORTI RITTI CON PIEDISTALLO CON BUSSOLA



Tipo Type	Dimensioni - Dimensions										Bull. fiss. Bolt Size	Coefficienti di carico (N) Load ratings (N)		Cuscinetto Bearing	Supporto Housing	Peso Weight kg
	d	h	a	e	b	S <sub>1</sub>	S <sub>2</sub>	g	w	B <sub>1</sub>		Dinamico C Dynamic C	Statico C <sub>0</sub> Static C <sub>0</sub>			
	mm/inch										mm/inch					
<b>UKPH205+H2305</b>	20	80	140	105	50	13	19	16	114	34,1	M10	13300	7457	<b>UK205+H2305</b>	<b>PH205</b>	1,24
UKPH205+HE2305	¾	35/32	5½	41/8	131/32	½	¾	5/8	431/64	1,3425	3/8			UK205+HE2305		
<b>UKPH206+H2306</b>	25	90	161	121	50	17	21	17	130	38,1	M14	18525	10735	<b>UK206+H2306</b>	<b>PH206</b>	1,64
UKPH206+HS2306	7/8	335/64	611/32	4¾	131/32	43/64	53/64	43/64	51/8	1,5000	½			UK206+HS2306		
UKPH206+HE2306	1													UK206+HE2306		
<b>UKPH207+H2307</b>	30	95	166	127	60	17	21	18	140	42,9	M14	24415	14630	<b>UK207+H2307</b>	<b>PH207</b>	2,03
UKPH207+HS2307	11/8	347/64	617/32	5	223/64	43/64	53/64	45/64	533/64	1,6890	½			UK207+HS2307		
<b>UKPH208+H2308</b>	35	100	178	137	70	17	21	19	150	49,2	M14	27645	16910	<b>UK208+H2308</b>	<b>PH208</b>	2,72
UKPH208+HE2308	1¼	315/16	71/64	512/32	2¾	43/64	53/64	¾	529/32	1,9370	½			UK208+HE2308		
UKPH208+HS2308	13/8													UK208+HS2308		
<b>UKPH209+H2309</b>	40	105	189	146	70	17	21	20	158	49,2	M14	32395	20235	<b>UK209+H2309</b>	<b>PH209</b>	3,09
UKPH209+HA2309	17/16	49/64	77/16	5¾	2¾	43/64	53/64	25/32	67/32	1,9370	½			UK209+HA2309		
UKPH209+HE2309	1½													UK209+HE2309		
UKPH209+HS2309	15/8													UK209+HS2309		
<b>UKPH210+H2310</b>	45	110	205	159	70	20	23	21	165	51,6	M16	33345	22135	<b>UK210+H2310</b>	<b>PH210</b>	3,59
UKPH210+HS2310	15/8	421/64	85/64	6¼	2¾	25/32	29/32	53/64	6½	2,0315	5/8			UK210+HS2310		
UKPH210+HA2310	111/16													UK210+HA2310		
UKPH210+HE2310	1¾													UK210+HE2310		

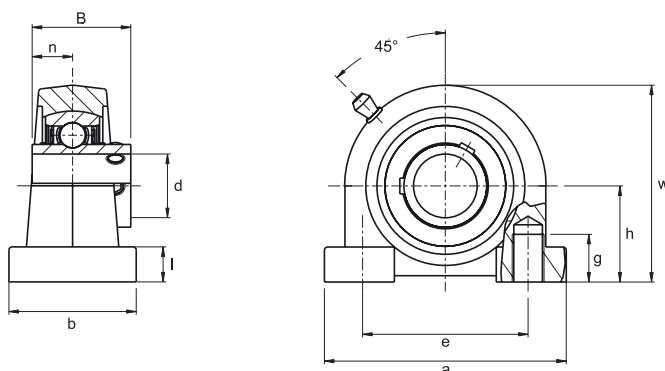
Bussole HA; HE; HS con filettatura in pollici  
Inch dimension adapter sleeves HA; HE; HS





Bearings & Components

## TAP BASE BEARING UNITS SUPPORTI RITTI SENZA PIEDI



Tipo Type	Dimensioni - Dimensions										Bull. fiss. Bolt Size	Coefficients di carico (N) Load ratings (N)		Cuscinetto Bearing	Supporto Housing	Peso Weight
	d	h	a	e	b	g	l	w	B	n		Dinamico C Dynamic C	Statico C <sub>0</sub> Static C <sub>0</sub>			
	mm/inch											mm/inch				
<b>UCPA201</b> UCPA201-8	<b>12</b> ½	30,2 13/16	76 3	52 23/64	40 19/16	15 19/32	11 7/16	62 27/16	31 1,2205	12,7 0,500	M10 3/8	12160	6318	<b>UC201</b> UC201-8	<b>PA204</b>	0,60 0,59
<b>UCPA202</b> UCPA202-9 UCPA202-10	<b>15</b> 9/16 5/8	30,2 13/16	76 3	52 23/64	40 19/16	15 19/32	11 7/16	62 27/16	31 1,2205	12,7 0,500	M10 3/8	12160	6318	<b>UC202</b> UC202-9 UC202-10	<b>PA204</b>	0,59 0,59 0,59
<b>UCPA203</b> UCPA203-11	<b>17</b> 11/16	30,2 13/16	76 3	52 23/64	40 19/16	15 19/32	11 7/16	62 27/16	31 1,2205	12,7 0,500	M10 3/8	12160	6318	<b>UC203</b> UC203-11	<b>PA204</b>	0,58 0,57
<b>UCPA204</b> UCPA204-12	<b>20</b> ¾	30,2 13/16	76 3	52 23/64	40 19/16	15 19/32	11 7/16	62 27/16	31 1,2205	12,7 0,500	M10 3/8	12160	6318	<b>UC204</b> UC204-12	<b>PA204</b>	0,56 0,56
<b>UCPA205</b> UCPA205-13 UCPA205-14 UCPA205-15 UCPA205-16	<b>25</b> 13/16 7/8 15/16 1	36,5 17/16	84 35/16	56 213/64	38 1½	15 19/32	12 15/32	72 253/64	34,1 1,3425	14,3 0,563	M10 3/8	13300	7457	<b>UC205</b> UC205-13 UC205-14 UC205-15 UC205-16	<b>PA205</b>	0,83 0,87 0,86 0,84 0,83
<b>UCPA206</b> UCPA206-17 UCPA206-18 UCPA206-19 UCPA206-20	<b>30</b> 11/16 11/8 13/16 1¼	42,9 111/16	94 345/64	66 219/32	50 131/32	18 45/64	12 15/32	84 35/16	38,1 1,5000	15,9 0,626	M14 ½	18525	10735	<b>UC206</b> UC206-17 UC206-18 UC206-19 UC206-20	<b>PA206</b>	1,12 1,15 1,14 1,12 1,11
<b>UCPA207</b> UCPA207-20 UCPA207-21 UCPA207-22 UCPA207-23	<b>35</b> 1¼ 15/16 13/8 17/16	47,6 17/8	110 421/64	80 35/32	55 211/64	20 25/32	13 33/64	95 347/64	42,9 1,6890	17,5 0,689	M14 ½	24415	14630	<b>UC207</b> UC207-20 UC207-21 UC207-22 UC207-23	<b>PA207</b>	1,48 1,54 1,51 1,48 1,45
<b>UCPA208</b> UCPA208-24 UCPA208-25	<b>40</b> 1½ 19/16	49,2 115/16	116 49/16	84 35/16	58 29/32	20 25/32	13 33/64	100 315/16	49,2 1,9370	19 0,748	M14 ½	27645	16910	<b>UC208</b> UC208-24 UC208-25	<b>PA208</b>	1,89 1,93 1,90
<b>UCPA209</b> UCPA209-26 UCPA209-27 UCPA209-28	<b>45</b> 15/8 111/16 1¾	54,2 29/64	120 423/32	90 335/64	60 223/64	25 63/64	13 33/64	108 4¼	49,2 1,9370	19 0,748	M14 ½	32395	20235	<b>UC209</b> UC209-26 UC209-27 UC209-28	<b>PA209</b>	1,98 2,08 2,04 2,00
<b>UCPA210</b> UCPA210-29 UCPA210-30 UCPA210-31 UCPA210-32	<b>50</b> 113/16 17/8 115/16 2	57,2 2¼	130 51/8	94 345/64	64 233/64	25 63/64	14 35/64	116 49/16	51,6 2,0315	19 0,748	M16 5/8	33345	22135	<b>UC210</b> UC210-29 UC210-30 UC210-31 UC210-32	<b>PA210</b>	2,16 2,28 2,23 2,18 2,14
<b>UCPA211</b> UCPA211-32 UCPA211-33 UCPA211-34 UCPA211-35	<b>55</b> 2 21/16 21/8 23/16	63,5 2½	140 533/64	104 43/32	66 219/32	25 63/64	14 35/64	125 459/64	55,6 2,1890	22,2 0,874	M16 5/8	41230	27930	<b>UC211</b> UC211-32 UC211-33 UC211-34 UC211-35	<b>PA211</b>	3,26 3,41 3,35 3,30 3,24
<b>UCPA212</b> UCPA212-36 UCPA212-37 UCPA212-38 UCPA212-39	<b>60</b> 2¼ 25/16 23/8 27/16	69,9 2¾	150 529/32	114 431/64	68 243/64	25 63/64	15 19/32	138 57/16	65,1 2,5630	25,4 1,000	M16 5/8	49780	34390	<b>UC212</b> UC212-36 UC212-37 UC212-38 UC212-39	<b>PA212</b>	4,19 4,32 4,24 4,17 4,10
<b>UCPA213</b> UCPA213-40 UCPA213-41	<b>65</b> 2½ 29/16	76,2 3	160 619/64	124 47/8	70 2¾	25 63/64	15 19/32	150 529/32	65,1 2,5630	25,4 1,000	M16 5/8	54340	38095	<b>UC213</b> UC213-40 UC213-41	<b>PA213</b>	- - -

Disponibile in acciaio inox Supporto: AISI 304 - Cuscinetto: AISI 440C o 420C - Available stainless steel Housing: AISI 304 - Bearing: AISI 440C or 420C  
Disponibile su richiesta con cuscinetto SA (SAPA) - Available under request with SA bearing (SAPA)

DOWNLOAD OUR CATALOG - SCARICA IL NOSTRO CATALOGO



ООО "Технодрайв" тел.: 8(863) 223-20-99

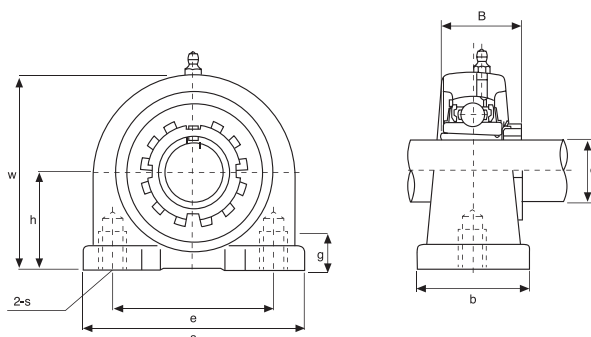
email: info@technodrive.net

http://technodrive.pro



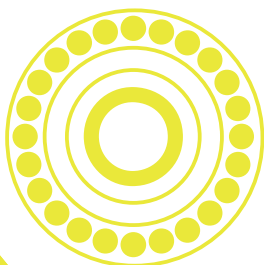
Bearings & Components

## TAP BASE BEARING UNITS WITH ADAPTER SLEEVE SUPPORTI RITTI SENZA PIEDI CON BUSSOLA



Tipo Type	Dimensioni - Dimensions								Bull. fiss. Bolt Size	Coefficients di carico (N) Load ratings (N)		Cuscinetto Bearing	Supporto Housing	Peso Weight
	d	h	a	e	b	g	W	B		Dinamico C Dynamic C	Statico C <sub>0</sub> Static C <sub>0</sub>			
	mm/finch									mm/finch				
<b>UKPA205+H2305</b>	<b>20</b>	36,5	84	56	38	15	72	34,1	M10	13300	7457	<b>UK205+H2305</b>	<b>PA205</b>	0,87
UKPA205+HE2305	¾	17/16	35/16	213/64	1½	19/32	253/64	1,3425	3/8			UK205+HE2305		
<b>UKPA206+H2306</b>	<b>25</b>	42,9	94	66	50	18	84	38,1	M14	18525	10735	<b>UK206+H2306</b>	<b>PA206</b>	1,24
UKPA206+HS2306	7/8	111/16	345/64	219/32	131/32	45/64	35/16	1,5000	½			UK206+HS2306		
UKPA206+HE2306	1											UK206+HE2306		
<b>UKPA207+H2307</b>	<b>30</b>	47,6	110	80	55	20	95	42,9	M14	24415	14630	<b>UK207+H2307</b>	<b>PA207</b>	1,73
UKPA207+HS2307	11/8	17/8	421/64	35/32	211/64	25/32	347/64	1,6890	½			UK207+HS2307		
<b>UKPA208+H2308</b>	<b>35</b>	49,2	116	84	58	20	100	49,2	M14	27645	16910	<b>UK208+H2308</b>	<b>PA208</b>	2,02
UKPA208+HE2308	1¼	115/16	49/16	35/16	29/32	25/32	315/16	1,9370	½			UK208+HE2308		
UKPA208+HS2308	13/8											UK208+HS2308		
<b>UKPA209+H2309</b>	<b>40</b>	54,2	120	90	60	25	108	49,2	M14	32395	20235	<b>UK209+H2309</b>	<b>PA209</b>	2,29
UKPA209+HA2309	17/16	29/64	423/32	335/64	223/64	63/64	4¼	1,9370	½			UK209+HA2309		
UKPA209+HE2309	1½											UK209+HE2309		
UKPA209+HS2309	15/8											UK209+HS2309		
<b>UKPA210+H2310</b>	<b>45</b>									57,2	130	94	64	25
UKPA210+HS2310	15/8	2½	51/8	345/64	233/64	63/64	49/16	2,0315	5/8	UK210+HS2310				
UKPA210+HA2310	111/16									UK210+HA2310				
UKPA210+HE2310	1¾									UK210+HE2310				

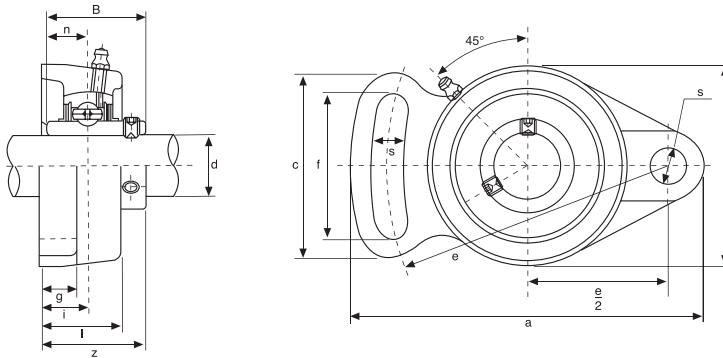
Bussole HA; HE; HS con filettatura in pollici  
Inch dimension adapter sleeves HA; HE; HS





Bearings & Components

## ADJUSTABLE FLANGE UNITS SUPPORTI A FLANGIA ORIENTABILI



Tipo Type	Dimensioni - Dimensions													Bull. fiss. Bolt Size	Coefficienti di carico (N) Load ratings (N)		Cuscinetto Bearing	Supporto Housing	Peso Weight
	d	a	e	i	g	l	s	b	z	f	c	B	n		Dinamico C Dynamic C	Statico C <sub>0</sub> Static C <sub>0</sub>			
	mm/inch														mm/inch				
<b>UCFA201</b> UCFA201-8	<b>12</b> 1/2	98 355/64	78 35/64	15 19/32	12 15/32	25,5 1	10 25/64	60 23/8	33,3 15/16	40 137/64	50 131/32	31 1,2205	12,7 0,500	M8 5/16	12160	6318	<b>UC201</b> UC201-8	<b>FA204</b>	0,50 0,49
<b>UCFA202</b> UCFA202-9 UCFA202-10	<b>15</b> 9/16 5/8	98 355/64	78 35/64	15 19/32	12 15/32	25,5 1	10 25/64	60 23/8	33,3 15/16	40 137/64	50 131/32	31 1,2205	12,7 0,500	M8 5/16	12160	6318	<b>UC202</b> UC202-9 UC202-10	<b>FA204</b>	0,49 0,49 0,49
<b>UCFA203</b> UCFA203-11	<b>17</b> 11/16	98 355/64	78 35/64	15 19/32	12 15/32	25,5 1	10 25/64	60 23/8	33,3 15/16	40 137/64	50 131/32	31 1,2205	12,7 0,500	M8 5/16	12160	6318	<b>UC203</b> UC203-11	<b>FA204</b>	0,48 0,47
<b>UCFA204</b> UCFA204-12	<b>20</b> 3/4	98 355/64	78 35/64	15 19/32	12 15/32	25,5 1	10 25/64	60 23/8	33,3 15/16	40 137/64	50 131/32	31 1,2205	12,7 0,500	M8 5/16	12160	6318	<b>UC204</b> UC204-12	<b>FA204</b>	0,46 0,46
<b>UCFA205</b> UCFA205-13 UCFA205-14 UCFA205-15 UCFA205-16	<b>25</b> 13/16 7/8 15/16 1	124 47/8	98 355/64	16 5/8	14 35/64	27 11/6	13 33/64	70 23/4	35,8 113/32	51 21/64	65 29/16	34,1 1,3425	14,3 0,563	M10 3/8	13300	7457	<b>UC205</b> UC205-13 UC205-14 UC205-15 UC205-16	<b>FA205</b>	0,66 0,70 0,69 0,67 0,66
<b>UCFA206</b> UCFA206-17 UCFA206-18 UCFA206-19 UCFA206-20	<b>30</b> 11/16 11/8 13/16 1 1/4	141 535/64	115 417/32	18 45/64	14 35/64	31 17/32	13 33/64	83 317/64	40,2 119/32	58 29/32	72 227/32	38,1 1,5000	15,9 0,626	M10 3/8	18525	10735	<b>UC206</b> UC206-17 UC206-18 UC206-19 UC206-20	<b>FA206</b>	0,93 0,96 0,95 0,93 0,92
<b>UCFA207</b> UCFA207-20 UCFA207-21 UCFA207-22 UCFA207-23	<b>35</b> 1 1/4 15/16 13/8 17/16	155 67/64	128 53/64	19 3/4	16 5/8	34 111/32	15 19/32	96 325/32	44,4 1 3/4	66 219/32	82 315/64	42,9 1,6890	17,5 0,689	M12 7/16	24415	14630	<b>UC207</b> UC207-20 UC207-21 UC207-22 UC207-23	<b>FA207</b>	1,46 1,52 1,49 1,46 1,43
<b>UCFA208</b> UCFA208-24 UCFA208-25	<b>40</b> 1 1/2 19/16	171 47/64	142 519/32	21 53/64	16 5/8	38 1 1/2	15 19/32	105 49/64	51,2 21/64	71 251/64	87 327/64	49,2 1,9370	19 0,748	M12 7/16	27645	16910	<b>UC208</b> UC208-24 UC208-25	<b>FA208</b>	1,78 1,82 1,79
<b>UCFA209</b> UCFA209-26 UCFA209-27 UCFA209-28	<b>45</b> 15/8 111/16 1 3/4	179 73/64	146 53/4	22 55/64	18 45/64	40 137/64	17 43/64	111 43/8	52,2 21/16	72 253/64	90 335/64	49,2 1,9370	19 0,748	M14 1/2	32395	20235	<b>UC209</b> UC209-26 UC209-27 UC209-28	<b>FA209</b>	2,03 2,13 2,09 2,05
<b>UCFA210</b> UCFA210-29 UCFA210-30 UCFA210-31 UCFA210-32	<b>50</b> 113/16 17/8 115/16 2	189 77/16	155 67/64	22 55/64	18 45/64	40 137/64	17 43/64	116 49/16	54,6 25/32	76 3	94 345/64	51,6 2,0315	19 0,748	M14 1/2	33345	22135	<b>UC210</b> UC210-29 UC210-30 UC210-31 UC210-32	<b>FA210</b>	2,23 2,35 2,30 2,25 2,21
<b>UCFA211</b> UCFA211-32 UCFA211-33 UCFA211-34 UCFA211-35	<b>55</b> 2 21/16 21/8 23/16	216 8 1/2	182 711/64	25 63/64	20 25/32	44 147/64	17 43/64	133 551/64	58,4 25/16	86 325/64	104 43/32	55,6 2,1890	22,2 0,874	M14 1/2	41230	27930	<b>UC211</b> UC211-32 UC211-33 UC211-34 UC211-35	<b>FA211</b>	3,2 4,5 4,20 4,10 4,00
<b>UCFA212</b> UCFA212-36 UCFA212-37 UCFA212-38 UCFA212-39	<b>60</b> 2 1/4 25/16 23/8 27/16	240 929/64	202 761/64	29 19/64	20 25/32	48 17/8	19 3/4	140 5 1/2	68,7 223/32	100 315/16	118 441/64	65,1 2,5630	25,4 1,000	M16 5/8	49780	34390	<b>UC212</b> UC212-36 UC212-37 UC212-38 UC212-39	<b>FA212</b>	- - - -
<b>UCFA213</b> UCFA213-40 UCFA213-41	<b>65</b> 2 1/2 29/16	250 927/32	210 817/64	30 13/16	20 25/32	50 131/32	19 3/4	155 63/32	69,7 2 3/4	102 41/64	122 451/64	65,1 2,5630	25,4 1,000	M16 5/8	54340	38095	<b>UC213</b> UC213-40 UC213-41	<b>FA213</b>	- - -

Disponibile in acciaio inox Supporto: AISI 304 - Cuscinetto: AISI 440C o 420C - Available stainless steel Housing: AISI 304 - Bearing: AISI 440C or 420C  
Disponibile su richiesta con cuscinetto SA (SAFA) - Available under request with SA bearing (SAFA)

DOWNLOAD OUR CATALOG - SCARICA IL NOSTRO CATALOGO



ООО "Технодрайв" тел.: 8(863) 223-20-99

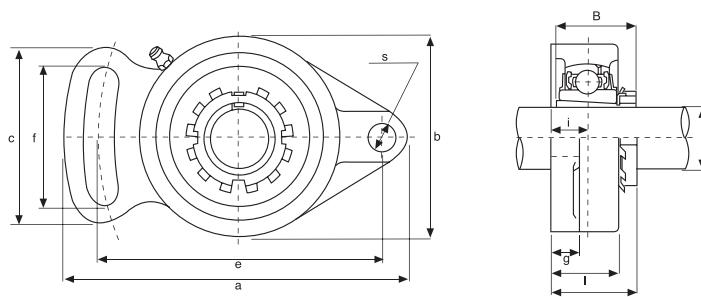
email: info@technodrive.net

http://technodrive.pro



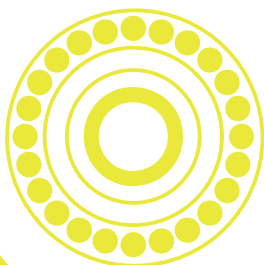
Bearings & Components

## ADJUSTABLE FLANGE UNITS WITH ADAPTER SLEEVE SUPPORTI A FLANGIA ORIENTABILI CON BUSSOLA



Tipo Type	Dimensioni - Dimensions												Bull. fiss. Bolt Size	Coefficienti di carico (N) Load ratings (N)		Cuscinetto Bearing	Supporto Housing	Peso Weight kg
	d	a	e	i	g	l	s	b	z	f	c	B		Dinamico C Dynamic C	Statico C <sub>0</sub> Static C <sub>0</sub>			
	mm/inch												mm/inch					
<b>UKFA205+H2305</b>	<b>20</b>	124	98	16	14	27	13	70	35,8	51	65	34,1	M10	13300	7457	<b>UK205+H2305</b>	<b>FA205</b>	0,71
UKFA205+HE2305	¾	47/8	355/64	5/8	35/64	11/16	33/64	2¾	113/32	21/64	29/16	1,3425	3/8			UK205+HE2305		
<b>UKFA206+H2306</b>	<b>25</b>	141	115	18	14	31	13	83	40,2	58	72	38,1	M10	18525	10735	<b>UK206+H2306</b>	<b>FA206</b>	1,04
UKFA206+HS2306	7/8	535/64	417/32	45/64	35/64	17/32	33/64	317/64	119/32	29/32	227/32	1,5000	3/8			UK206+HS2306		
UKFA206+HE2306	1															UK206+HE2306		
<b>UKFA207+H2307</b>	<b>30</b>	155	128	19	16	34	15	96	44,4	66	82	42,9	M12	24415	14630	<b>UK207+H2307</b>	<b>FA207</b>	1,5
UKFA207+HS2307	11/8	67/64	53/64	¾	5/8	111/32	19/32	325/32	1¾	219/32	315/64	1,6890	7/16			UK207+HS2307		
<b>UKFA208+H2308</b>	<b>35</b>	171	142	21	16	38	15	105	51,2	71	87	49,2	M12	27645	16910	<b>UK208+H2308</b>	<b>FA208</b>	1,9
UKFA208+HE2308	1¼	47/64	519/32	53/64	5/8	1½	19/32	49/64	21/64	251/64	327/64	1,9370	7/16			UK208+HE2308		
UKFA208+HS2308	13/8															UK208+HS2308		
<b>UKFA209+H2309</b>	<b>40</b>	179	146	22	18	40	17	111	52,2	72	90	49,2	M14	32395	20235	<b>UK209+H2309</b>	<b>FA209</b>	1,8
UKFA209+HA2309	17/16																	
UKFA209+HE2309	1½	73/64	5¾	55/64	45/64	137/64	43/64	43/8	21/16	253/64	335/64	1,9370	½			UK209+HE2309		
UKFA209+HS2309	15/8															UK209+HS2309		
<b>UKFA210+H2310</b>	<b>45</b>	189	155	22	18	40	17	116	54,6	76	94	51,6	M14	33345	22135	<b>UK210+H2310</b>	<b>FA210</b>	2,1
UKFA210+HS2310	15/8																	
UKFA210+HA2310	111/16	71/16	67/64	55/64	45/64	137/64	43/64	49/16	25/32	3	345/64	2,0315	½			UK210+HA2310		
UKFA210+HE2310	1¾															UK210+HE2310		

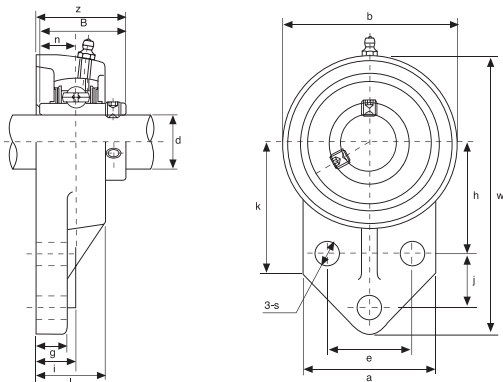
Bussole HA; HE; HS con filettatura in pollici  
Inch dimension adapter sleeves HA; HE; HS





Bearings & Components

# FLANGE BRACKET UNITS SUPPORTI A FLANGIA



Tipo Type	Dimensioni - Dimensions														Bull. fiss. Bolt Size	Coefficients di carico (N) Load ratings (N)		Cuscinetto Bearing	Supporto Housing	Peso Weight	
	d	w	b	k	a	l	s	g	h	j	e	i	z	B		n	Dinamico C Dynamic C				Statico C <sub>0</sub> Static C <sub>0</sub>
	mm/inch															mm/inch					
<b>UCFB201</b>	12	110	62	52	52	25,5	10	13	42	27	32	15	33,3	31	12,7	M8	12160	6318	<b>UC201</b>	<b>FB204</b>	0,58
UCFB201-8	1/2	411/32	27/16	21/16	21/16	1	25/64	1/2	121/32	11/16	117/64	19/32	15/16	1,2205	0,500	5/16			UC201-8		0,57
<b>UCFB202</b>	15	110	62	52	52	25,5	10	13	42	27	32	15	33,3	31	12,7	M8	12160	6318	<b>UC202</b>	<b>FB204</b>	0,57
UCFB202-9	9/16	411/32	27/16	21/16	21/16	1	25/64	1/2	121/32	11/16	117/64	19/32	15/16	1,2205	0,500	5/16			UC202-9		0,57
UCFB202-10	5/8	411/32	27/16	21/16	21/16	1	25/64	1/2	121/32	11/16	117/64	19/32	15/16	1,2205	0,500	5/16			UC202-10		0,57
<b>UCFB203</b>	17	110	62	52	52	25,5	10	13	42	27	32	15	33,3	31	12,7	M8	12160	6318	<b>UC203</b>	<b>FB204</b>	0,56
UCFB203-11	11/16	411/32	27/16	21/16	21/16	1	25/64	1/2	121/32	11/16	117/64	19/32	15/16	1,2205	0,500	5/16			UC203-11		0,55
<b>UCFB204</b>	20	110	62	52	52	25,5	10	13	42	27	32	15	33,3	31	12,7	M8	12160	6318	<b>UC204</b>	<b>FB204</b>	0,54
UCFB204-12	3/4	411/32	27/16	21/16	21/16	1	25/64	1/2	121/32	11/16	117/64	19/32	15/16	1,2205	0,500	5/16			UC204-12		0,54
<b>UCFB205</b>	25	116	68	52	56	27	10	13	45	27	34	16	35,8	34,1	14,3	M8			<b>UC205</b>		0,79
UCFB205-13	13/16	49/16	211/16	21/16	27/32	11/16	25/64	1/2	149/64	11/16	111/32	5/8	113/32	1,3425	0,563	5/16	13300	7457	UC205-13	<b>FB205</b>	0,83
UCFB205-14	7/8																	UC205-14		0,82	
UCFB205-15	15/16																	UC205-15		0,80	
UCFB205-16	1																	UC205-16		0,79	
<b>UCFB206</b>	30	130	78	55	65	31	10	13	50	29	40	18	40,2	38,1	15,9	M8			<b>UC206</b>		0,95
UCFB206-17	11/16	51/8	31/16	25/32	29/16	17/32	25/64	1/2	131/32	19/64	137/64	45/64	119/32	1,5000	0,626	5/16	18525	10735	UC206-17	<b>FB206</b>	0,98
UCFB206-18	11/8																	UC206-18		0,97	
UCFB206-19	13/16																	UC206-19		0,95	
UCFB206-20	1 1/4																	UC206-20		0,94	
<b>UCFB207</b>	35	144	90	62	70	34	10	15	55	32	46	19	44,4	42,9	17,5	M8			<b>UC207</b>		1,29
UCFB207-20	1 1/4																	UC207-20	<b>FB207</b>	1,35	
UCFB207-21	15/16	521/32	335/64	27/16	2 3/4	111/32	25/64	19/32	211/64	117/64	113/16	3/4	1 3/8	1,6890	0,689	5/16	24415	14630	UC207-21		1,32
UCFB207-22	13/8																	UC207-22		1,29	
UCFB207-23	17/16																	UC207-23		1,26	
<b>UCFB208</b>	40	164	100	72	78	36	12	16	60	41	50	21	51,2	49,2	19	M10	27645	16910	<b>UC208</b>	<b>FB208</b>	1,78
UCFB208-24	1 1/2	615/32	315/16	227/32	31/16	113/32	15/32	5/8	223/64	139/64	131/32	53/64	21/64	1,9370	0,748	3/8			UC208-24		1,82
UCFB208-25	19/16																	UC208-25		1,79	
<b>UCFB209</b>	45	174	106	76	80	38	12	18	65	43	54	22	52,2	49,2	19	M10	32395	20235	<b>UC209</b>		1,91
UCFB209-26	15/8																	UC209-26	<b>FB209</b>	2,01	
UCFB209-27	111/16	627/32	43/16	3	35/32	1 1/2	15/32	23/32	29/16	111/16	21/8	55/64	21/16	1,9370	0,748	3/8			UC209-27		1,97
UCFB209-28	1 3/4																	UC209-28		1,93	
<b>UCFB210</b>	50	184	112	82	86	40	12	18	68	46	58	22	54,6	51,6	19	M10	33345	22135	<b>UC210</b>		2,36
UCFB210-29	113/16																	UC210-29	<b>FB210</b>	2,48	
UCFB210-30	17/8	71/14	413/32	37/32	33/8	137/64	15/32	23/32	243/64	113/16	29/32	55/64	25/32	2,0315	0,748	3/8			UC210-30		2,43
UCFB210-31	115/16																	UC210-31		2,38	
UCFA210-32	2																	UC210-32		2,34	
<b>UCFB211</b>	55	207	130	86	90	43	14	18	78	50	62	25	58,4	55,6	22,2	M12	41230	27930	<b>UC211</b>		3,15
UCFB211-32	2																	UC211-32	<b>FB211</b>	3,31	
UCFB211-33	21/16	85/32	51/8	325/64	335/64	111/16	35/64	45/64	35/64	131/32	27/16	63/64	25/16	2,1890	0,874	7/16			UC211-33		3,25
UCFB211-34	21/8																	UC211-34		3,20	
UCFB211-35	23/16																	UC211-35		3,14	
<b>UCFB212</b>	60	223	140	90	94	48	14	18	84	55	66	29	68,7	65,1	25,4	M12	49780	34390	<b>UC212</b>		3,99
UCFB212-36	2 1/4																	UC212-36	<b>FB212</b>	4,12	
UCFB212-37	25/16	825/32	5 1/2	335/64	345/64	17/8	35/64	45/64	35/16	211/64	219/32	19/64	223/32	2,5630	1,000	7/16			UC212-37		4,04
UCFB212-38	23/8																	UC212-38		3,97	
UCFB212-39	27/16																	UC212-39		3,90	
<b>UCFB213</b>	65	244	155	94	100	50	14	20	92	60	70	30	69,7	65,1	25,4	M12	54340	38095	<b>UC213</b>		-
UCFB213-40	2 1/2	939/64	67/64	345/64	315/16	131/32	35/64	25/32	35/8	223/64	2 3/4	13/16	2 3/4	2,5630	1,000	7/16			UC213-40	<b>FB213</b>	-
UCFB213-41	29/16																	UC213-41		-	

Disponibile in acciaio inox Supporto: AISI 304 - Cuscinetto: AISI 440C o 420C - Available stainless steel Housing: AISI 304 - Bearing: AISI 440C or 420C  
Disponibile su richiesta con cuscinetto SA (SAFB) - Available under request with SA bearing (SAFB)

DOWNLOAD OUR CATALOG - SCARICA IL NOSTRO CATALOGO



ООО "Технодрайв" тел.: 8(863) 223-20-99

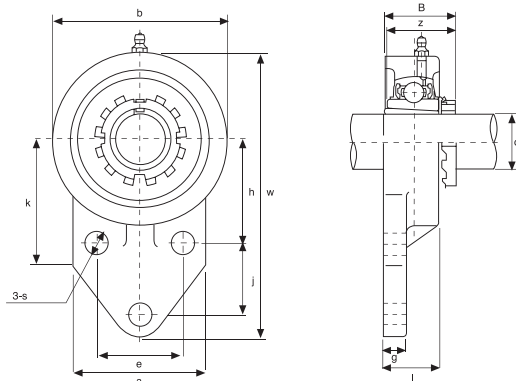
email: info@technodrive.net

http://technodrive.pro



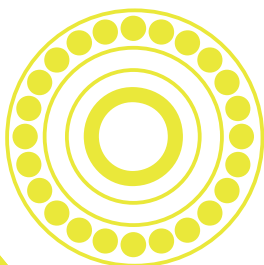
Bearings & Components

## FLANGE BRACKET UNITS WITH ADAPTER SLEEVE SUPPORTI A FLANGIA CON BUSSOLA



Tipo Type	Dimensioni - Dimensions														Bull. fiss. Bolt Size	Coefficienti di carico (N) Load ratings (N)		Cuscinetto Bearing	Supporto Housing	Peso Weight
	d	w	b	k	a	l	s	g	h	j	e	i	z	B		Dinamico C Dynamic C	Statico C <sub>0</sub> Static C <sub>0</sub>			
	mm/inch														mm/inch					
UKFB205+H2305	20	116	68	52	56	27	10	13	45	27	34	16	35,8	34,1	M8	13300	7457	UK205+H2305	FB205	0,72
UKFB205+HE2305	¾	49/16	211/16	21/16	27/32	11/16	25/64	½	149/64	11/16	111/32	5/8	113/32	1,3425	5/16			UK205+HE2305		
UKFB206+H2306	25	130	78	55	65	31	10	13	50	29	40	18	40,2	38,1	M8	18525	10735	UK206+H2306	FB206	0,96
UKFB206+HS2306	7/8	51/8	31/16	25/32	29/16	17/32	25/64	½	131/32	19/64	137/64	45/64	119/32	1,5000	5/16			UK206+HS2306		
UKFB206+HE2306	1															UK206+HE2306				
UKFB207+H2307	30	144	90	62	70	34	10	15	55	32	46	19	44,4	42,9	M8	24415	14630	UK207+H2307	FB207	1,33
UKFB207+HS2307	11/8	521/32	335/64	27/16	2¾	111/32	25/64	19/32	211/64	117/64	113/16	¾	1¾	1,6890	5/16			UK207+HS2307		
UKFB208+H2308	35	164	100	72	78	36	12	16	60	41	50	21	51,2	49,2	M10	27645	16910	UK208+H2308	FB208	1,82
UKFB208+HE2308	1¼	615/32	315/16	227/32	31/16	113/32	15/32	5/8	223/32	139/64	131/32	53/64	21/64	1,9370	3/8			UK208+HE2308		
UKFB208+HS2308	13/8															UK208+HS2308				
UKFB209+H2309	40	174	106	76	80	38	12	18	65	43	54	22	52,2	49,2	M10	32395	20235	UK209+H2309	FB209	2,09
UKFB209+HA2309	17/16	627/32	43/16	3	35/32	1½	15/32	23/32	29/16	111/16	21/8	55/64	21/16	1,9370	3/8			UK209+HA2309		
UKFB209+HE2309	1½															UK209+HE2309				
UKFB209+HS2309	15/8	UK209+HS2309																		
UKFB210+H2310	45	184	112	82	86	40	12	18	68	46	58	22	54,6	51,6	M10	33345	22135	UK210+H2310	FB210	2,39
UKFB210+HS2310	15/8	111/16	7¼	413/32	37/32	33/8	137/64	15/32	23/32	243/64	113/16	29/32	55/64	25/32	2,0315			3/8		
UKFB210+HA2310	111/16															UK210+HA2310				
UKFB210+HE2310	1¾	UK210+HE2310																		

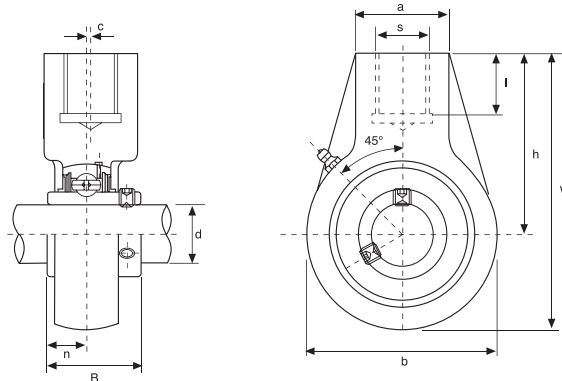
Bussole HA; HE; HS con filettatura in pollici  
Inch dimension adapter sleeves HA; HE; HS





Bearings & Components

# HANGER BEARING UNITS SUPPORTI PENSILI



Tipo Type	Dimensioni - Dimensions										Coefficients di carico (N) Load ratings (N)		Cuscinetto Bearing	Supporto Housing	Peso Weight
	d	h	w	b	c	a	l	B	n	S	Dinamico C Dynamic C	Statico C <sub>0</sub> Static C <sub>0</sub>			
	mm/inch														
UCECH201 UCECH201-8	12 ½	64 233/64	96 325/32	64 233/64	0	40 137/64	19 ¾	31 1,2205	12,7 0,500	G¾	12160	6318	UC201 UC201-8	ECH204	0,73 0,72
UCECH202 UCECH202-9 UCECH202-10	15 9/16 5/8	64 233/64	96 325/32	64 233/64	0	40 137/64	19 ¾	31 1,2205	12,7 0,500	G¾	12160	6318	UC202 UC202-9 UC202-10	ECH204	0,72 0,72 0,72
UCECH203 UCECH203-11	17 11/16	64 233/64	96 325/32	64 233/64	0	40 137/64	19 ¾	31 1,2205	12,7 0,500	G¾	12160	6318	UC203 UC203-11	ECH204	0,71 0,70
UCECH204 UCECH204-12	20 ¾	64 233/64	96 325/32	64 233/64	0	40 137/64	19 ¾	31 1,2205	12,7 0,500	G¾	12160	6318	UC204 UC204-12	ECH204	0,69 0,69
UCECH205 UCECH205-13 UCECH205-14 UCECH205-15 UCECH205-16	25 13/16 7/8 15/16 1	64 233/64	103 41/16	78 35/64	0	40 137/64	19 ¾	34,1 1,3425	14,3 0,563	G¾	13300	7457	UC205 UC205-13 UC205-14 UC205-15 UC205-16	ECH205	0,83 0,87 0,86 0,84 0,83
UCECH206 UCECH206-17 UCECH206-18 UCECH206-19 UCECH206-20	30 11/16 11/8 13/16 1¼	64 233/64	103 41/16	78 35/64	0	40 137/64	19 ¾	38,1 1,5000	15,9 0,626	G¾	18525	10735	UC206 UC206-17 UC206-18 UC206-19 UC206-20	ECH206	0,83 0,86 0,85 0,83 0,82
UCECH207 UCECH207-20 UCECH207-21 UCECH207-22 UCECH207-23	35 1¼ 15/16 13/8 17/16	70 2¾	116 49/16	92 35/8	0	40 137/64	19 ¾	42,9 1,6890	17,5 0,689	G¾	24415	14630	UC207 UC207-20 UC207-21 UC207-22 UC207-23	ECH207	1,16 1,22 1,19 1,16 1,13
UCECH208 UCECH208-24 UCECH208-25	40 1½ 19/16	73 27/8	121 449/64	96 325/32	2 5/64	40 137/64	19 ¾	49,2 1,9370	19 0,748	G¾	27645	16910	UC208 UC208-24 UC208-25	ECH208	1,32 1,36 1,33
UCECH209 UCECH209-26 UCECH209-27 UCECH209-28	45 15/8 111/16 1¾	82 315/64	136 523/64	108 4¼	5 13/64	48 157/64	21 53/64	49,2 1,9370	19 0,748	G1	32395	20235	UC209 UC209-26 UC209-27 UC209-28	ECH209	1,92 2,02 1,98 1,94
UCECH210 UCECH210-29 UCECH210-30 UCECH210-31 UCECH210-32	50 113/16 17/8 115/16 2	83 317/64	142 519/32	118 441/64	5 13/64	48 157/64	21 77/83/64	51,6 2,0315	19 0,748	G1	33345	22135	UC210 UC210-29 UC210-30 UC210-31 UC210-32	ECH210	1,90 2,02 1,97 1,92 1,88
UCECH211 UCECH211-32 UCECH211-33 UCECH211-34 UCECH211-35	55 2 21/16 21/8 23/16	87 327/64	150 529/32	126 461/64	7 9/32	60 223/64	25 63/64	55,6 2,1890	22,2 0,874	G1¼	41230	27930	UC211 UC211-32 UC211-33 UC211-34 UC211-35	ECH211	2,61 2,76 2,70 2,65 2,59
UCECH212 UCECH212-36 UCECH212-37 UCECH212-38 UCECH212-39	60 2¼ 25/16 23/8 27/16	102 41/64	173 613/16	142 519/32	9 23/64	60 223/64	28 17/64	65,1 2,5630	25,4 1,000	G1¼	49780	34390	UC212 UC212-36 UC212-37 UC212-38 UC212-39	ECH212	3,54 3,67 3,59 3,52 3,45
UCECH213 UCECH213-40 UCECH213-41	65 2½ 29/16	117 439/64	200 77/8	166 617/32	9,5 3/8	70 2¾	32 117/64	65,1 2,5630	25,4 1,000	G1½	54340	38095	UC213 UC213-40 UC213-41	ECH213	5,80 5,89 5,80
UCECH214 UCECH214-42 UCECH214-43 UCECH214-44	70 25/8 211/16 2¾	117 439/64	200 77/8	166 617/32	9,5 3/8	70 2¾	32 117/64	74,6 2,9370	30,2 1,189	G1½	59090	41895	UC214 UC214-42 UC214-43 UC214-44	ECH214	5,67
UCECH215 UCECH215-45 UCECH215-46 UCECH215-47 UCECH215-48	75 213/16 27/8 215/16 3	117 439/64	200 731/32	166 617/32	9,5 3/8	70 2¾	32 117/64	77,8 3,0630	33,3 1,311	G1½	64030	45885	UC215 UC215-45 UC215-46 UC215-47 UC215-48	ECH215	5,58

Disponibile in acciaio inox Supporto: AISI 304 - Cuscinetto: AISI 440C o 420C - Available stainless steel Housing: AISI 304 - Bearing: AISI 440C or 420C  
Disponibile su richiesta con cuscinetto SA (SAECH) - Available under request with SA bearing (SAECH)

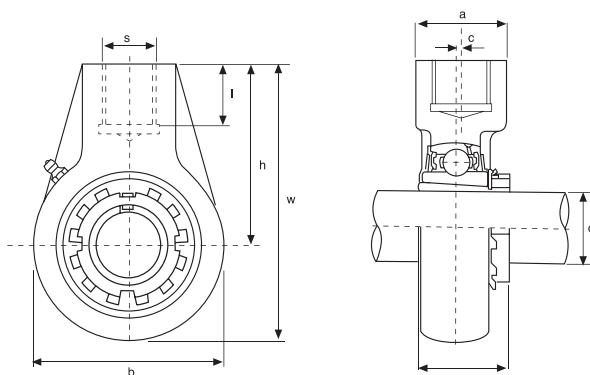
S - Su richiesta disponibili con filetto metrico, in pollici e gas  
S - Under request available with metric, inches and gas thread







# HANGER BEARINGS UNITS WITH ADAPTER SLEEVE SUPPORTI PENSILI CON BUSSOLA



B

Tipo Type	Dimensioni - Dimensions									Coefficienti di carico (N) Load ratings (N)		Cuscinetto Bearing	Supporto Housing	Peso Weight kg
	d	h	w	b	c	a	l	B	S	Dinamico C Dynamic C	Statico C <sub>0</sub> Static C <sub>0</sub>			
	mm/inch													
UKECH205+H2305	20	64	103	78	0	40	19	34,1				UK205+H2305	ECH205	0,9
UKECH205+HE2305	¾	233/64	41/16	35/64	0	137/64	¾	1,3425				UK205+HE2305		
UKECH206+H2306	25	64	103	78	0	40	19	38,1				UK206+H2306	ECH206	0,9
UKECH206+HS2306	7/8	233/64	41/16	35/64	0	137/64	¾	1,5000	G¾	18525	10735	UK206+HS2306		
UKECH206+HE2306	1											UK206+HE2306		
UKECH207+H2307	30	70	116	92	0	40	19	42,9				UK207+H2307	ECH207	1,23
UKECH207+HS2307	11/8	2¾	49/16	35/8	0	137/64	¾	1,6890				UK207+HS2307		
UKECH208+H2308	35	73	121	96	2	40	19	49,2				UK208+H2308	ECH208	1,32
UKECH208+HE2308	1¼	27/8	449/64	325/32	5/64	137/64	¾	1,9370	G¾	27645	16910	UK208+HE2308		
UKECH208+HS2308	13/8											UK208+HS2308		
UKECH209+H2309	40	82	136	108	5	48	21	49,2				UK209+H2309	ECH209	1,79
UKECH209+HA2309	17/16	315/64	523/64	4¾	13/64	157/64	53/64	1,9370	G1	32395	20235	UK209+HA2309		
UKECH209+HE2309	1½											UK209+HE2309		
UKECH209+HS2309	15/8											UK209+HS2309		
UKECH210+H2310	45											83	142	118
UKECH210+HS2310	15/8	317/64	519/32	441/64	13/64	157/64	53/64	2,0315	G1	33345	22135	UK210+HS2310		
UKECH210+HA2310	111/16											UK210+HA2310		
UKECH210+HE2310	1¾											UK210+HE2310		
UKECH211+H2311	50											87	150	126
UKECH211+HS2311	17/8	327/64	529/32	461/64	9/32	223/64	63/64	2,1890	G1¼	41230	27930	UK211+HS2311		
UKECH211+HA2311	115/16											UK211+HA2311		
UKECH211+HE2311	2											UK211+HE2311		
UKECH212+H2312	55											102	173	142
UKECH212+HS2312	21/8	41/64	613/16	519/32	23/64	223/64	17/64	2,5630				UK212+HS2312		

Bussole HA; HE; HS con filettatura in pollici  
Inch dimension adapter sleeves HA; HE; HS

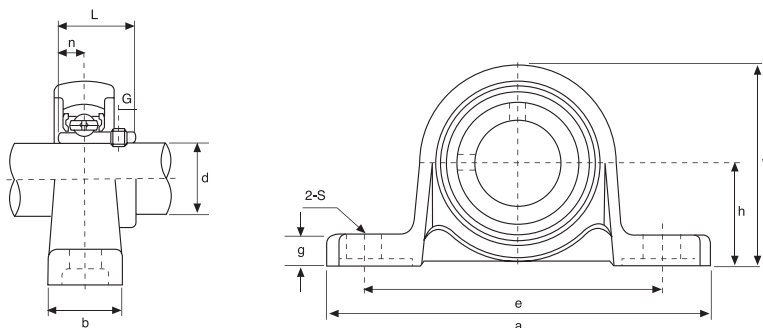
S - Su richiesta disponibili con filetto metrico, in pollici e gas  
S - Under request available with metric, inches and gas thread





Bearings & Components

## ALUMINIUM BEARING UNITS SUPPORTI RITTI IN ALLUMINIO



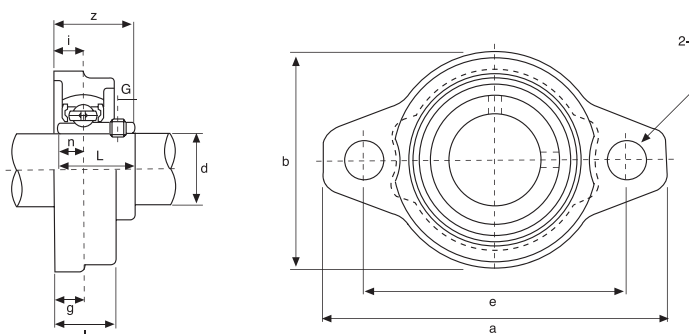
Tipo Type	Dimensioni - Dimensions											Bull. fiss. Bolt Size	Coefficients di carico (N) Load ratings (N)		Cuscinetto Bearing	Supporto Housing	Peso Weight
	d	h	a	e	b	s	g	w	L	n	G		Dinamico C Dynamic C	Statico C <sub>0</sub> Static C <sub>0</sub>			
	mm/inch												mm/inch				
UP000	10	18	67	53	16	7	6	35	17,5	4	4	M6	4322	1852	U000	LP000	0,077
UP001	12	19	71	56	16	7	6	38	14,5	4	4	M6	4845	2280	U001	LP001	0,091
UP002	15	22	80	63	16	6	7	43	16,5	4,5	4	M6	5320	2707	U002	LP002	0,125
UP003	17	24	85	67	18	6	7	47	17,5	5	4	M6	5700	3087	U003	LP003	0,156
UP004	20	28	100	80	20	10	9	55	21	6	4,5	M8	8930	4797	U004	LP004	0,230
UP005	25	32	112	90	20	10	10	62	22,5	6	5	M8	9595	5557	U005	LP005	0,294
UP006	30	36	132	106	26	13	11	70	24,5	6,5	5	M10	12540	7837	U006	LP006	0,454
UP007	35	40	150	118	26	13	13	80	25,5	7	6	M10	14750	9750	U007	LP007	0,593

Disponibile su richiesta in acciaio inox supporto: AISI 304 - Cuscinetto: AISI 440C 0 420C - Available under request stainless steel housing: AISI 304 - Bearing: AISI 440C or 420C  
Su richiesta fornibili anche con anello di serraggio eccentrico - Under request available with eccentric collar locking



Bearings & Components

## ALUMINIUM OVAL BEARING UNIT SUPPORTI A FLANGIA OVALE IN ALLUMINIO



Tipo Type	Dimensioni - Dimensions											Bull. fiss. Bolt Size	Coefficients di carico (N) Load ratings (N)		Cuscinetto Bearing	Supporto Housing	Peso Weight	
	d	a	e	i	g	l	s	b	Z	L	n		G	Dinamico C Dynamic C				Statico C <sub>0</sub> Static C <sub>0</sub>
	mm/inch												mm/inch					
UFL000	10	60	45	5,5	5,5	11,5	7	36	15,5	14	4	4	M6	4322	1852	U000	FL000	0,063
UFL001	12	63	48	5,5	5,5	11,5	7	38	16	14,5	4	4	M6	4845	2280	U001	FL001	0,076
UFL002	15	67	53	6,5	6,5	13	7	42	18,5	16,5	4,5	4	M6	5320	2707	U002	FL002	0,100
UFL003	17	71	56	7	7	14	7	46	19,5	17,5	5	4	M6	5700	3087	U003	FL003	0,129
UFL004	20	90	71	8	8	16	10	55	23	21	6	4,5	M8	8930	4797	U004	FL004	0,205
UFL005	25	95	75	8	8	16	10	60	24,5	22,5	6	5	M8	9595	5557	U005	FL005	0,244
UFL006	30	112	85	9	9	18	13	70	27	24,5	6,5	5	M10	12540	7837	U006	FL006	0,354
UFL007	35	122	95	10	10	20	13	80	30,5	27,5	7	6	M10	14750	9750	U007	FL007	0,498

DOWNLOAD OUR CATALOG - SCARICA IL NOSTRO CATALOGO



ООО "Технодрайв" тел.: 8(863) 223-20-99

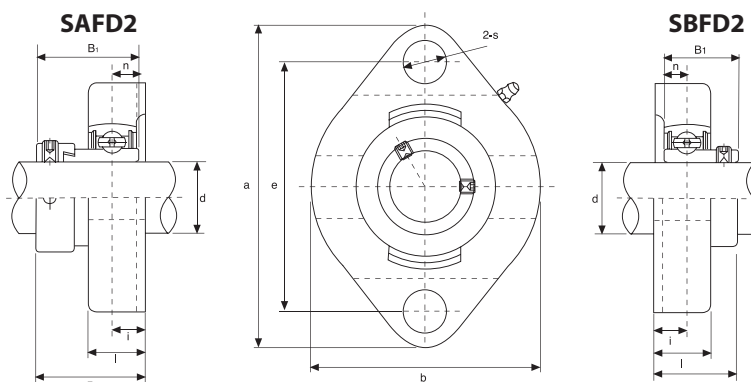
email: info@technodrive.net

http://technodrive.pro

# OVAL BEARING UNITS SUPPORTI A FLANGIA OVALE



Bearings & Components



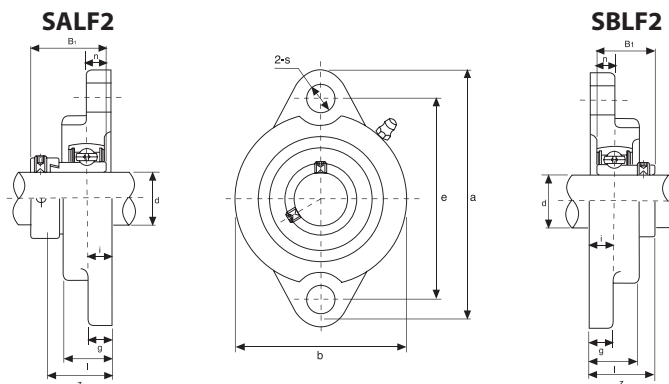
Tipo Type	Dimensioni - Dimensions							Bull. fiss. Bolt Size	SAFD			Cuscinetto Bearing	SBFD			Cuscinetto Bearing	Peso Weight	Supporto Housing	Coefficienti di carico (N) Load ratings (N)		
	d	a	e	b	i	s	l		z	B <sub>1</sub>	n		z	B <sub>1</sub>	n				Dinamico C Dynamic C	Statico C <sub>0</sub> Static C <sub>0</sub>	
	mm/inch								mm/inch				mm/inch						kg		
<b>SAFD-SBFD</b>																					
<b>201</b>	12	81	63	59	8,5	7	15	M6	30,6	28,6	6,5	<b>SA201</b>	0,3	24	22	6	<b>SB201</b>	0,3	<b>FD203</b>	9200	4480
201-8	½	33/16	231/64	221/64	21/64	9/32	19/32	¼	113/64	1,1260	0,2559	SA201-8		61/64	0,8661	0,2362	SB201-8				
<b>SAFD-SBFD</b>																					
<b>202</b>	15	81	63	59	8,5	7	15	M6	30,6	28,6	6,5	<b>SA202</b>	0,3	24	22	6	<b>SB202</b>	0,3	<b>FD203</b>	9200	4480
202-9	9/16											SA202-9		61/64	0,8661	0,2362	SB202-9				
202-10	5/8	33/16	231/64	221/64	21/64	9/32	19/32	¼	113/64	1,1260	0,2559	SA202-10					SB202-10				
<b>SAFD-SBFD</b>																					
<b>203</b>	17	81	63	59	8,5	7	15	M6	30,6	28,6	6,5	<b>SA203</b>	0,3	24	22	6	<b>SB203</b>	0,3	<b>FD203</b>	9200	4480
203-11	11/16	33/16	231/64	221/64	21/64	9/32	19/32	¼	113/64	1,1260	0,2559	SA203-11		61/64	0,8661	0,2362	SB203-11				
<b>SAFD-SBFD</b>																					
<b>204</b>	20	90	71	67	9,5	10	17	M8	33	31	7,5	<b>SA204</b>	0,5	27,5	25	7	<b>SB204</b>	0,4	<b>FD204</b>	12200	6300
204-12	¾	335/64	251/64	241/64	3/8	25/64	43/64	5/16	119/64	1,2204	0,2953	SA204-12		15/64	0,9843	0,2756	SB204-12				
<b>SAFD-SBFD</b>																					
<b>205</b>	25	95	76	71	9,5	10	17	M8	33	31	7,5	<b>SA205</b>	0,5	29	27	7,5	<b>SB205</b>	0,5	<b>FD205</b>	13300	7460
205-13	13/16											SA205-13					SB205-13				
205-14	7/8	3¾	263/64	251/64	3/8	25/64	43/64	5/16	119/64	1,2204	0,2953	SA205-14		19/64	1,0630	0,2953	SB205-14				
205-15	15/16											SA205-15					SB205-15				
205-16	1											SA205-16					SB205-16				
<b>SAFD-SBFD</b>																					
<b>206</b>	30	113	90	84	12	12	21	M10	38,7	35,7	9	<b>SA206</b>	0,8	34	30	8	<b>SB206</b>	0,8	<b>FD206</b>	18500	10800
206-17	11/16											SA206-17					SB206-17				
206-18	11/8	47/16	335/64	335/16	15/32	15/32	53/64	3/8	117/32	1,4055	0,3543	SA206-18		111/32	1,1811	0,3150	SB206-18				
206-19	13/16											SA206-19					SB206-19				
205-20	1¼											SA205-20					SB205-20				
<b>SAFD-SBFD</b>																					
<b>207</b>	35	125	100	94	12,5	12	22	M10	41,9	38,9	9,5	<b>SA207</b>	1,0	36	32	8,5	<b>SB207</b>	0,9	<b>FD207</b>	24500	14600
207-20	1¼											SA207-20					SB207-20				
207-21	15/16	459/64	315/16	345/64	½	15/32	7/8	3/8	121/32	1,5315	0,3740	SA207-21		127/64	1,2598	0,3346	SB207-21				
207-22	13/8											SA207-22					SB207-22				
205-23	17/16											SA205-23					SB205-23				
<b>SAFD-SBFD</b>																					
<b>208</b>	40	149	119	104	15	14	25	M12	45,7	-	11	<b>SA208</b>	1,4	41	-	9	<b>SB208</b>	1,2	<b>FD208</b>	27700	17000





Bearings & Components

## OVAL BEARING UNITS SUPPORTI A FLANGIA OVALE



Tipo Type	Dimensioni - Dimensions								Bull. fiss. Bolt Size	SALF			Cuscinetto Bearing	Peso Weight	SBLF			Cuscinetto Bearing	Peso Weight	Supporto Housing	Coefficienti di carico (N) Load ratings (N)	
	d	a	e	b	i	s	g	l		z	B <sub>1</sub>	n			z	B <sub>1</sub>	n				Dinamico C Dynamic C	Statico C <sub>0</sub> Static C <sub>0</sub>
	mm/inch									mm/inch					mm/inch							
<b>SALF-SBLF</b>																						
<b>201</b> 201-8	12 ½	81 33/16	63,5 2½	56 2 13/64	9,5 3/8	8 5/16	9,5 3/8	18 45/64	M6 ¼	31,6 1¼	28,6 1,1260	6,5 0,2559	<b>SA201</b> SA201-8	0,3 1	25,5 0,8661	22 0,2362	6	<b>SB201</b> SB201-8	0,3	<b>LF203</b>	9200	4480
<b>SALF-SBLF</b>																						
<b>202</b> 202-9 202-10	15 9/16 5/8	81 33/16	63,5 2½	56 2 13/64	9,5 3/8	8 5/16	9,5 3/8	18 45/64	M6 ¼	31,6 1¼	28,6 1,1260	6,5 0,2559	<b>SA202</b> SA202-9 SA202-10	0,3 1	25,5 0,8661	22 0,2362	6	<b>SB202</b> SB202-9 SB202-10	0,3	<b>LF203</b>	9200	4480
<b>SALF-SBLF</b>																						
<b>203</b> 203-11	17 11/16	81 33/16	63,5 2½	56 2 13/64	9,5 3/8	8 5/16	9,5 3/8	18 45/64	M6 ¼	31,6 1¼	28,6 1,1260	6,5 0,2559	<b>SA203</b> SA203-11	0,3 1	25,5 0,8661	22 0,2362	6	<b>SB203</b> SB203-11	0,3	<b>LF203</b>	9200	4480
<b>SALF-SBLF</b>																						
<b>204</b> 204-12	20 ¾	90 35/64	71,5 2 13/64	61 2 13/64	11 7/16	10 25/64	11 7/16	20 25/32	M8 5/16	34,5 1 1/8	31 1,2204	7,5 0,2953	<b>SA204</b> SA204-12	0,4 19/64	29 0,9843	25 0,2756	7	<b>SB204</b> SB204-12	0,3	<b>LF204</b>	12200	6300
<b>SALF-SBLF</b>																						
<b>205</b> 205-13 205-14 205-15 205-16	25 13/16 7/8 15/16 1	95 3 3/4	76 2 3/8	64 2 3/8	11 7/16	10 25/64	11 7/16	20 25/32	M8 5/16	34,5 1 1/8	31 1,2204	7,5 0,2953	<b>SA205</b> SA205-13 SA205-14 SA205-15 SA205-16	0,3 0,5	30,5 1 13/64	27 1,0630	7,5 0,2953	<b>SB205</b> SB205-13 SB205-14 SB205-15 SB205-16	0,3 0,4	<b>LF205</b>	13300	7460
<b>SALF-SBLF</b>																						
<b>206</b> 206-17 206-18 206-19 205-20	30 11/16 1 1/8 13/16 1¼	113 47/16	90,5 3 3/8	76 3	12 15/32	12 15/32	12 15/32	22,5 57/64	M10 3/8	38,7 1 33/64	35,7 1,4055	9 0,3543	<b>SA206</b> SA206-17 SA206-18 SA206-19 SA206-20	0,7 111/32	34 1,1811	30 0,3150	8	<b>SB206</b> SB206-17 SB206-18 SB206-19 SB206-20	0,6	<b>LF206</b>	18500	10800
<b>SALF-SBLF</b>																						
<b>207</b> 207-20 207-21 207-22 205-23	35 1¼ 1 5/8 1 3/8 1 7/16	122 4 13/16	100 3 15/16	89 3 1/2	13 33/64	12 15/32	13 33/64	24 61/64	M10 3/8	42,4 1 43/64	38,9 1,5315	9,5 0,3740	<b>SA207</b> SA207-20 SA207-21 SA207-22 SA207-23	0,9 17/16	36,5 1,2598	32 0,3346	8,5	<b>SB207</b> SB207-20 SB207-21 SB207-22 SB207-23	0,8	<b>LF207</b>	24500	14600



## HOUSING UNITS PME UNITÀ SUPPORTO PME



Bearings &amp; Components

d Ø	Dimensioni - Dimensions						f h8	Viti fissaggio Fixing bolts	Tipo cuscinetto Bearing type	Peso fusione kg Housing weight kg
	H	J	A2	A1	A	S				
20	100	78	2	8	17	9	62	M8	GRAE 20	0,37
25	115	90	2,5	9	19	9	70	M8	GRAE 25	0,55
30	125	100	2	9,5	20,5	11,5	80	M10	GRAE 30	0,66
35	135	110	1	10	20,5	11,5	90	M10	GRAE 35	0,79
40	145	120	1	11,5	23	11,5	100	M10	GRAE 40	1
45	155	130	2	12	25	14	105	M12	GRAE 45	1,24
50	165	135	1	13	25	14	110	M12	GRAE 50	1,53
55	185	150	0	15	27,5	18	125	M16	GRAE 55	1,95
60	195	160	1	16	29	18	135	M16	GRAE 60	2,15

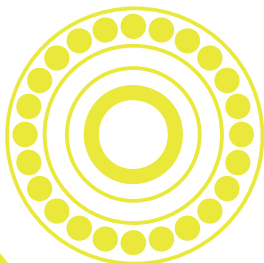
## STEEL SHEET COVERS COPERCHI IN LAMIERA DI ACCIAIO



Bearings &amp; Components

Tipo Type	Dimensioni - Dimensions					
	C	M	K	L	D	t
STC204C	20	52	32	14,7	2,0	1,0
STC204P	20	52	32	14,7	2,0	1,0
STC205C	25	58	38	15,5	2,0	1,0
STC205P	25	58	38	15,5	2,0	1,0
STC206C	30	68	42	16,5	2,0	1,0
STC206P	30	68	42	16,5	2,0	1,0
STC207C	35	78	48	19,5	2,5	1,0
STC207P	35	78	48	19,5	2,5	1,0
STC208C	40	85,9	52	23,6	2,5	1,0
STC208P	40	85,9	52	23,6	2,5	1,0
STC209C	45	91	57	24	2,5	1,0
STC209P	45	91	57	24	2,5	1,0
STC210C	50	96	62	26	2,5	1,0
STC210P	50	96	62	26	2,5	1,0
STC211C	55	108	67	25,5	2,5	1,0
STC211P	55	108	67	25,5	2,5	1,0
STC212C	60	120	72	31,5	2,5	1,0
STC212P	60	120	72	31,5	2,5	1,0
STC218C	90	168	102	40	2,5	1,0
STC218P	90	168	102	40	2,5	1,0

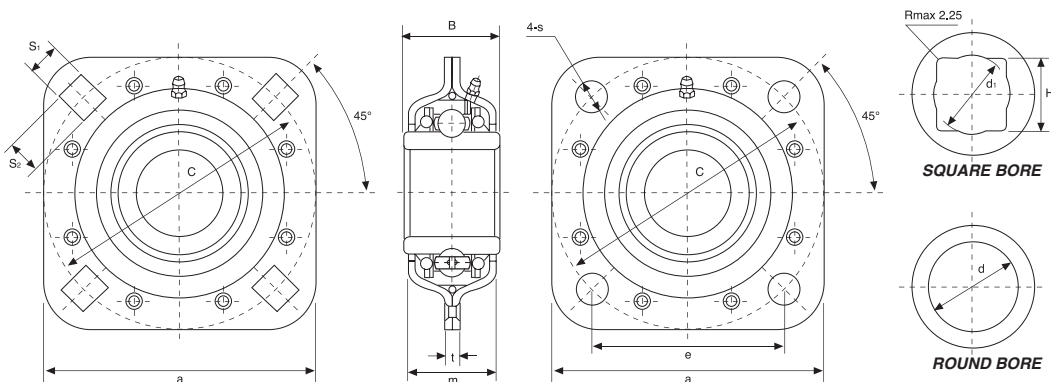
I coperchi sono disponibili su richiesta - Covers are available under request



**AGRICULTURAL BEARING UNITS  
SUPPORTI AGRICOLI**



Bearings & Components



Tipo Type	Dimensioni - Dimensions												Coefficienti di carico (N) Load ratings (N)	
	H	d	a	B	m	t	C	s	s <sub>1</sub>	s <sub>2</sub>	d <sub>1</sub>	e	Dinamico C Dynamic C	Statico C. Static C.
	mm/inch													
ST209-1½	29,972	-	127	42,8	42	6	127	13,5	13,5	17,45	32,0	-	24360	17710
ST209-30S	31,353	-	127	42,8	42	6	127	13,5	13,5	17,45	34,5	-	24360	17710
ST209-1¼	32,766	-	127	42,8	42	6	127	13,5	13,5	17,45	34,5	-	24360	17710
ST491B	-	38,860	127	42,8	42	6	127	13,5	13,5	17,45	-	-	24360	17710
ST209-40R	-	40,878	127	42,8	42	6	127	13,5	13,5	17,45	-	-	24360	17710
ST491A	-	45,000	127	42,8	42	6	127	13,5	13,5	17,45	-	90	24360	17710
ST209-45R	-	45,340	127	42,8	42	6	127	13,5	13,5	17,45	-	-	24360	17710
ST491A <sup>1)</sup>	-	45,000	121	46	42	6	121	13,5	-	-	-	85	24360	17710
ST211-1½	38,890	-	139,7	50,8	46	8	139,7	13,5	13,5	17,45	42,0	-	33370	25110
ST211-40S	40,878	-	139,7	50,8	46	8	139,7	13,5	13,5	17,45	43,1	-	33370	25110
ST211-50R	-	50,400	139,7	50,8	46	8	139,7	13,5	13,5	17,45	-	-	33370	25110
ST211-55R	-	55,575	139,7	50,8	46	8	139,7	13,5	13,5	17,45	-	-	33370	25110
ST211-1¾	-	45,212	139,7	55,6	46	8	139,7	13,5	13,5	17,45	-	-	33370	25110
ST211-2¾	-	55,575	139,7	55,6	46	8	139,7	13,5	13,5	17,45	-	-	33370	25110
ST211-1¼	-	49,238	139,7	69,9	46	8	139,7	13,5	13,5	17,45	-	-	33370	25110
ST211	-	55,000	139,7	55,6	46	8	139,7	13,5	13,5	17,45	-	-	33370	25110
ST740	-	55,562	139,7	55,6	45	7	139,7	13,5	13,5	17,45	-	98	33370	25110

<sup>1)</sup> Dimensioni speciali - Special dimensions

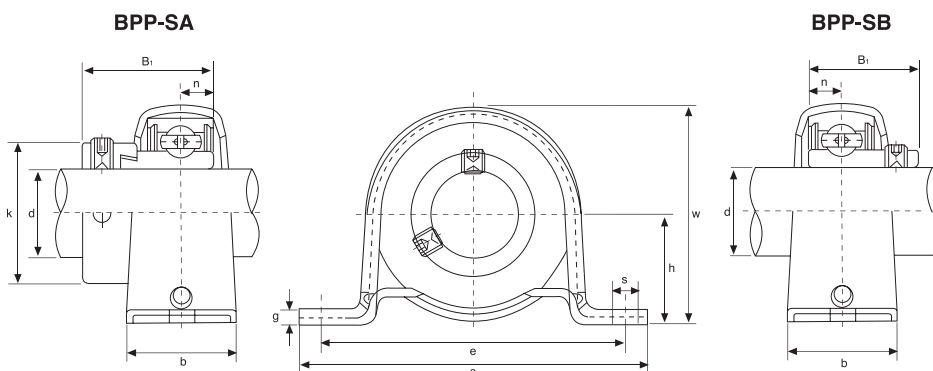
Disponibile su richiesta con fori di fissaggio quadrati - Available on request with square fixing holes





Bearings & Components

## PRESSED STEEL BEARING UNITS SUPPORTI RITTI IN LAMIERA STAMPATA



Tipo Type	Dimensioni - Dimensions								Bull. fiss. Bolt Size	BPP-SA		Cuscinetto Bearing	Peso Weight	BPP-SB		Cuscinetto Bearing	Peso Weight	Supporto Housing	Coefficienti di carico (N) Load ratings (N)	
	d	h	a	e	b	s	g	w		B <sub>1</sub>	n			B <sub>1</sub>	n				Dinamico C Dynamic C	Statico C Static C <sub>0</sub>
	mm/inch									mm/inch										
<b>BPP-SA BPP-SB</b>																				
<b>201</b>	12	22,2	86	68	25	9,5	3,2	43,8	M8	28,6	6,5	<b>SA201</b>	0,19	22	6	<b>SB201</b>	0,19	<b>PP203</b>	9200	4480
201-8	½	7/8	33/8	23/8	63/64	3/8	0,126	123/32	5/16	1,1260	0,2559	SA201-8		0,8661	0,2362	SB201-8				
<b>BPP-SA BPP-SB</b>																				
<b>202</b>	15	22,2	86	68	25	9,5	3,2	43,8	M8	28,6	6,5	<b>SA202</b>	0,19	22	6	<b>SB202</b>	0,19	<b>PP203</b>	9200	4480
202-9	9/16											SA202-9				SB202-9				
202-10	5/8	7/8	33/8	23/8	63/64	3/8	0,126	123/32	5/16	1,1260	0,2559	SA202-10		0,8661	0,2362	SB202-10				
<b>BPP-SA BPP-SB</b>																				
<b>203</b>	17	22,2	86	68	25	9,5	3,2	43,8	M8	28,6	6,5	<b>SA203</b>	0,19	22	6	<b>SB203</b>	0,19	<b>PP203</b>	9200	4480
203-11	11/16	7/8	33/8	23/8	63/64	3/8	0,126	123/32	5/16	1,1260	0,2559	SA203-11		0,8661	0,2362	SB203-11				
<b>BPP-SA BPP-SB</b>																				
<b>204</b>	20	25,4	98	76	32	9,5	3,2	50,6	M8	31	7,5	<b>SA204</b>	0,23	25	7	<b>SB204</b>	0,23	<b>PP204</b>	12200	6300
204-12	¾	1	327/32	263/64	1¼	3/8	0,126	163/64	5/16	1,2204	0,2953	SA204-12		0,9843	0,2756	SB204-12				
<b>BPP-SA BPP-SB</b>																				
<b>205</b>	25	28,6	108	86	32	11,5	4	56,6	M10	31	7,5	<b>SA205</b>	0,32	27	7,5	<b>SB205</b>	0,28	<b>PP205</b>	13300	7460
205-13	13/16											SA205-13				SB205-13				
205-14	7/8											SA205-14		1,0630	0,2953	SB205-14				
205-15	15/16	11/8	4¼	325/64	1¼	29/64	0,157	215/64	3/8	1,2204	0,2953	SA205-15				SB205-15				
205-16	1											SA205-16				SB205-16				
<b>BPP-SA BPP-SB</b>																				
<b>206</b>	30	33,3	117	95	38	11,5	4	66,3	M10	35,7	9	<b>SA206</b>	0,50	30	8	<b>SB206</b>	0,47	<b>PP206</b>	18500	10800
206-17	11/16											SA206-17				SB206-17				
206-18	11/8											SA206-18		1,1811	0,3150	SB206-18				
206-19	13/16	15/16	43/64	347/64	1½	29/64	0,157	239/64	3/8	1,4055	0,3543	SA206-19				SB206-19				
206-20	1¼											SA206-20				SB206-20				
<b>BPP-SA BPP-SB</b>																				
<b>207</b>	35	39,7	129	106	42	11,5	4,6	78	M10	38,9	9,5	<b>SA207</b>	0,71	32	8,5	<b>SB207</b>	0,57	<b>PP207</b>	24500	14600
207-20	1¼											SA207-20				SB207-20				
207-21	15/16											SA207-21		1,2598	0,3346	SB207-21				
207-22	13/8	19/16	55/64	45/32	121/32	29/64	0,181	31/8	3/8	1,5315	0,3740	SA207-22				SB207-22				
207-23	17/16											SA207-23				SB207-23				
<b>BPP-SA BPP-SB</b>																				
<b>208</b>	40	43,7	148	120	43	12	5	86,5	M10	43,7	11	<b>SA208</b>	0,95	34	9	<b>SB208</b>	0,80	<b>PP208</b>	27700	17000
208-24	1½											SA208-24		1,3386	0,3543	SB208-24				
208-25	19/16	1,721	513/16	411/16	111/16	30/64	0,196	326/64	3/8	1,721	0,4331	SA208-25				SB208-25				

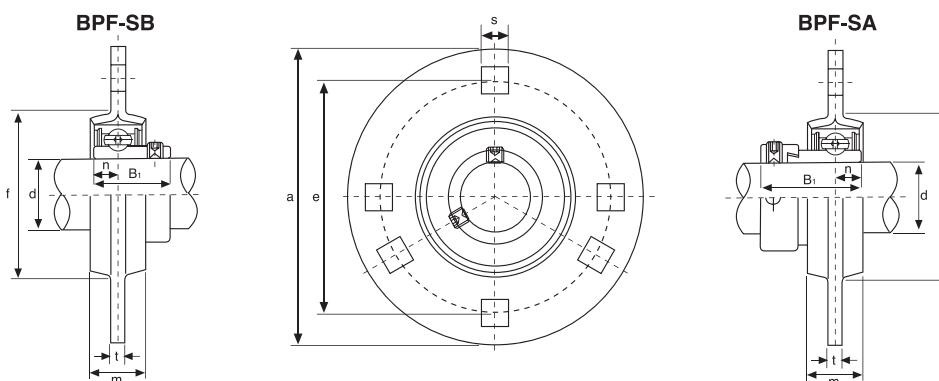
Disponibile in acciaio inox Supporto: AISI 304 - Cuscinetto: AISI 440C o 420C - Available stainless steel Housing: AISI 304 - Bearing: AISI 440C or 420C





Bearings & Components

## PRESSED STEEL BEARING UNITS SUPPORTI A FLANGIA TONDA IN LAMIERA STAMPATA



Tipo Type	Dimensioni - Dimensions							Bull. fiss. Bolt Size	BPF-SA		Cuscinetto Bearing	Peso Weight	BPF-SB		Cuscinetto Bearing	Peso Weight	Supporto Housing	Coefficienti di carico (N) Load ratings (N)	
	d	a	e	m	s	t	f <sub>(min)</sub>		B <sub>1</sub>	n			B <sub>1</sub>	n				Dinamico C Dynamic C	Statico C <sub>0</sub> Static C <sub>0</sub>
	mm/inch								mm/inch										
<b>BPF-SA BPF-SB</b>																			
<b>201</b>	12	81	63,5	14	7,1	4	49	M6	28,6	6,5	<b>SA201</b>	0,3	22	6	<b>SB201</b>	0,27	<b>PF203</b>	9200	4480
201-8	½	33/16	2½	9/16	9/32	0,157	159/64	¼	1,1260	0,2559	SA201-8		0,8661	0,2362	SB201-8				
<b>BPF-SA BPF-SB</b>																			
<b>202</b>	15	81	63,5	14	7,1	4	49	M6	28,6	6,5	<b>SA202</b>	0,3	22	6	<b>SB202</b>	0,27	<b>PF203</b>	9200	4480
202-9	9/16																		
202-10	5/8	33/16	2½	9/16	9/32	0,157	159/64	¼	1,1260	0,2559	SA202-10		0,8661	0,2362	SB202-10				
<b>BPF-SA BPF-SB</b>																			
<b>203</b>	17	81	63,5	14	7,1	4	49	M6	28,6	6,5	<b>SA203</b>	0,3	22	6	<b>SB203</b>	0,27	<b>PF203</b>	9200	4480
203-11	11/16	33/16	2½	9/16	9/32	0,157	159/64	¼	1,1260	0,2559	SA203-11		0,8661	0,2362	SB203-11				
<b>BPF-SA BPF-SB</b>																			
<b>204</b>	20	90	71,5	16	9	4	56	M8	31	7,5	<b>SA204</b>	0,33	25	7	<b>SB204</b>	0,33	<b>PF204</b>	12200	6300
204-12	¾	335/64	213/16	5/8	23/64	0,157	213/64	5/16	1,2204	0,2953	SA204-12		0,9843	0,2756	SB204-12				
<b>BPF-SA BPF-SB</b>																			
<b>205</b>	25	95	76	18	9	4	60	M8	31	7,5	<b>SA205</b>	0,42	27	7,5	<b>SB205</b>	0,38	<b>PF205</b>	13300	7460
205-13	13/16																		
205-14	7/8	3¾	253/64	23/32	23/64	0,157	223/64	5/16	1,2204	0,2953	SA205-14		1,0630	0,2953	SB205-14				
205-15	15/16																		
205-16	1																		
<b>BPF-SA BPF-SB</b>																			
<b>206</b>	30	113	90,5	18	11	5,2	71	M10	35,7	9	<b>SA206</b>	0,65	30	8	<b>SB206</b>	0,62	<b>PF206</b>	18500	10800
206-17	11/16																		
206-18	11/8	47/16	39/16	23/32	7/16	0,205	251/64	3/8	1,4055	0,3543	SA206-18		1,1811	0,3150	SB206-18				
206-19	13/16																		
206-20	1¼																		
<b>BPF-SA BPF-SB</b>																			
<b>207</b>	35	122	100	20	11	5,2	81	M10	38,9	9,5	<b>SA207</b>	0,9	32	8,5	<b>SB207</b>	0,82	<b>PF207</b>	24500	14600
207-20	1¼																		
207-21	15/16	413/16	315/16	25/32	7/16	0,205	33/16	3/8	1,5315	0,3740	SA207-21		1,2598	0,3346	SB207-21				
207-22	13/8																		
207-23	17/16																		
<b>BPF-SA BPF-SB</b>																			
<b>208</b>	40	148	119	21	13,5	6,8	91	M12	43,7	11	<b>SA208</b>	1,15	34	9	<b>SB208</b>	1,1	<b>PF208</b>	27700	17000
208-24	1½	513/16	411/16	13/16	17/32	0,268	337/64	½	1,7205	0,4331	SA208-24		1,3386	0,3543	SB208-24				
208-25	19/16																		

Disponibile in acciaio inox Supporto: AISI 304 - Cuscinetto: AISI 440C o 420C - Available stainless steel Housing: AISI 304 - Bearing: AISI 440C or 420C.

DOWNLOAD OUR CATALOG - SCARICA IL NOSTRO CATALOGO



ООО "Технодрайв" тел.: 8(863) 223-20-99

email: info@technodrive.net

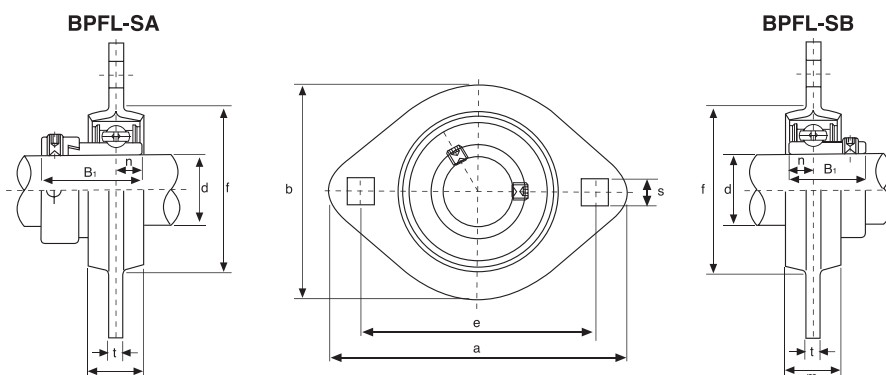
http://technodrive.pro





Bearings & Components

# PRESSED STEEL OVAL BEARING UNIT SUPPORTI A FLANGIA OVALE IN LAMIERA STAMPATA



Tipo Type	Dimensioni - Dimensions							Bull. fiss. Bolt Size	BPFL-SA		Cuscinetto Bearing	Peso Weight	BPFL-SB		Cuscinetto Bearing	Peso Weight	Supporto Housing	Coefficienti di carico (N) Load ratings (N)		
	d	a	e	b	m	s	t		f <sub>(min)</sub>	B <sub>1</sub>			n	B <sub>1</sub>				n	Dinamico C Dynamic C	Statico C <sub>0</sub> Static C <sub>0</sub>
	mm/inch								mm/inch											
<b>BPFL-SA BPFL-SB</b>																				
<b>201</b>	12	81	63,5	59	14	7,1	4	49	M6	28,6	6,5	<b>SA201</b>	0,22	22	6	<b>SB201</b>	0,19	<b>PFL203</b>	9200	4480
201-8	½	33/16	2½	221/64	9/16	159/64	0,157	159/64	¼	1,1260	0,2559	SA201-8		0,8661	0,2362	SB201-8				
<b>BPFL-SA BPFL-SB</b>																				
<b>202</b>	15	81	63,5	59	14	7,1	4	49	M6	28,6	6,5	<b>SA202</b>	0,22	22	6	<b>SB202</b>	0,19	<b>PFL203</b>	9200	4480
202-9	9/16																			
202-10	5/8	33/16	2½	221/64	9/16	159/64	0,157	159/64	¼	1,1260	0,2559	SA202-9 SA202-10		0,8661	0,2362	SB202-9 SB202-10				
<b>BPFL-SA BPFL-SB</b>																				
<b>203</b>	17	81	63,5	59	14	7,1	4	49	M6	28,6	6,5	<b>SA203</b>	0,22	22	6	<b>SB203</b>	0,19	<b>PFL203</b>	9200	4480
203-11	11/16	33/16	2½	221/64	9/16	159/64	0,157	159/64	¼	1,1260	0,2559	SA203-11		0,8661	0,2362	SB203-11				
<b>BPFL-SA BPFL-SB</b>																				
<b>204</b>	20	90	71,5	67	16	9	4	56	M8	31	7,5	<b>SA204</b>	0,24	25	7	<b>SB204</b>	0,24	<b>PFL204</b>	12200	6300
204-12	¾	335/64	213/16	241/64	5/8	23/64	0,157	213/64	5/16	1,2204	0,2953	SA204-12		0,9843	0,2756	SB204-12				
<b>BPFL-SA BPFL-SB</b>																				
<b>205</b>	25	95	76	71	18	9	4	60	M8	31	7,5	<b>SA205</b>	0,32	27	7,5	<b>SB205</b>	0,28	<b>PFL205</b>	13300	7460
205-13	13/16																			
205-14	7/8																			
205-15	15/16	3¾	253/64	251/64	23/32	23/64	0,157	223/64	5/16	1,2204	0,2953	SA205-13 SA205-14 SA205-15 SA205-16		1,0630	0,2953	SB205-13 SB205-14 SB205-15 SB205-16				
205-16	1																			
<b>BPFL-SA BPFL-SB</b>																				
<b>206</b>	30	113	90,5	84	18	11	5,2	71	M10	35,7	9	<b>SA206</b>	0,41	30	8	<b>SB206</b>	0,38	<b>PFL206</b>	18500	10800
206-17	11/16																			
206-18	11/8																			
206-19	13/16	47/16	39/16	35/16	23/32	7/16	0,205	251/64	3/8	1,4055	0,3543	SA206-17 SA206-18 SA206-19 SA206-20		1,1811	0,3150	SB206-17 SB206-18 SB206-19 SB206-20				
206-20	1¼																			
<b>BPFL-SA BPFL-SB</b>																				
<b>207</b>	35	122	100	94	20	11	5,2	81	M10	38,9	9,5	<b>SA207</b>	0,52	32	8,5	<b>SB207</b>	0,50	<b>PFL207</b>	24500	14600
207-20	1¼																			
207-21	15/16																			
207-22	13/8	413/16	315/16	345/64	25/32	7/16	0,205	33/16	3/8	1,5315	0,3740	SA207-20 SA207-21 SA207-22 SA207-23		1,2598	0,3346	SB207-20 SB207-21 SB207-22 SB207-23				
207-23	17/16																			
<b>BPFL-SA BPFL-SB</b>																				
<b>208</b>	40	148	119	100	21	13,5	6,8	91	M12	43,7	11	<b>SA208</b>	0,83	34	9	<b>SB208</b>	0,80	<b>PFL208</b>	27700	17000
208-24	1½																			
208-25	19/16	513/16	411/16	315/16	13/16	17/32	0,268	337/64	½	1,7205	0,4331	SA208-24 SA208-25		1,3386	0,3543	SB208-24 SB208-25				

Disponibile in acciaio inox Supporto: AISI 304 - Cuscinetto: AISI 440C o 420C - Available stainless steel Housing: AISI 304 - Bearing: AISI 440C or 420C.

DOWNLOAD OUR CATALOG - SCARICA IL NOSTRO CATALOGO



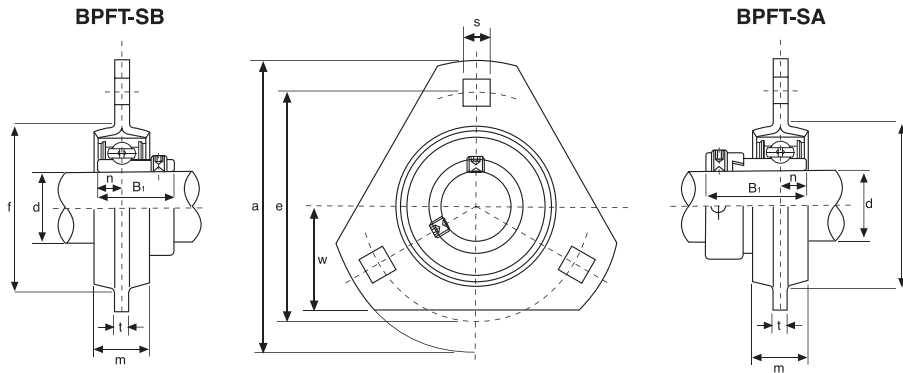
ООО "Технодрайв" тел.: 8(863) 223-20-99

email: info@technodrive.net

http://technodrive.pro



# PRESSED STEEL TRIANGULAR BEARING UNITS SUPPORTI A FLANGIA TRIANGOLARE IN LAMIERA STAMPATA



Tipo Type	Dimensioni - Dimensions								Bull. fiss. Bolt Size	BPFT-SA		Cuscinetto Bearing	Peso Weight	BPFT-SB		Cuscinetto Bearing	Peso Weight	Supporto Housing	Coefficienti di carico (N) Load ratings (N)	
	d	a	e	w	m	s	t	f(min)		B <sub>1</sub>	n			B <sub>1</sub>	n				Dinamico C Dynamic C	Statico C <sub>0</sub> Static C <sub>0</sub>
	mm/inch									mm/inch										
<b>BPFT-SA BPFT-SB</b>																				
<b>201</b> 201-8	12 ½	81 33/16	63,5 2½	28,5 11/8	14 9/16	7,1 9/32	4 0,157	49 159/64	M6 ¼	28,6 1,1260	6,5 0,2559	<b>SA201</b> SA201-8	0,26 0,8661	22 0,2362	6 0,2362	<b>SB201</b> SB201-8	0,23	<b>PFT203</b>	9200	4480
<b>BPFT-SA BPFT-SB</b>																				
<b>202</b> 202-9 202-10	15 9/16 5/8	81 33/16	63,5 2½	28,5 11/8	14 9/16	7,1 9/32	4 0,157	49 159/64	M6 ¼	28,6 1,1260	6,5 0,2559	<b>SA202</b> SA202-9 SA202-10	0,26 0,8661	22 0,2362	6 0,2362	<b>SB202</b> SB202-9 SB202-10	0,23	<b>PFT203</b>	9200	4480
<b>BPFT-SA BPFT-SB</b>																				
<b>203</b> 203-11	17 11/16	81 33/16	63,5 2½	28,5 11/8	14 9/16	7,1 9/32	4 0,157	49 159/64	M6 ¼	28,6 1,1260	6,5 0,2559	<b>SA203</b> SA203-11	0,26 0,8661	22 0,2362	6 0,2362	<b>SB203</b> SB203-11	0,23	<b>PFT203</b>	9200	4480
<b>BPFT-SA BPFT-SB</b>																				
<b>204</b> 204-12	20 ¾	90 35/64	71,5 213/64	33 119/64	16 5/8	9 23/64	4 0,157	56 213/64	M8 5/16	31 1,2204	7,5 0,2953	<b>SA204</b> SA204-12	0,28 0,9843	25 0,2756	7 0,2756	<b>SB204</b> SB204-12	0,28	<b>PFT204</b>	12200	6300
<b>BPFT-SA BPFT-SB</b>																				
<b>205</b> 205-13 205-14 205-15 205-16	25 13/16 7/8 15/16 1	95 33/16	76 263/64	35 13/8	18 23/32	9 23/64	4 0,157	60 223/64	M8 5/16	31 1,2204	7,5 0,2953	<b>SA205</b> SA205-13 SA205-14 SA205-15 SA205-16	0,36 1,0630	27 0,2953	7,5 0,2953	<b>SB205</b> SB205-13 SB205-14 SB205-15 SB205-16	0,36	<b>PFT205</b>	13300	7460
<b>BPFT-SA BPFT-SB</b>																				
<b>206</b> 206-17 206-18 206-19 206-20	30 11/16 11/8 13/16 1¼	113 47/16	90,5 39/16	40 137/64	18 23/32	11 7/16	5,2 0,205	71 251/64	M10 3/8	35,7 1,4055	9 0,3543	<b>SA206</b> SA206-17 SA206-18 SA206-19 SA206-20	0,58 1,1811	30 0,3150	8 0,3150	<b>SB206</b> SB206-17 SB206-18 SB206-19 SB206-20	0,55	<b>PFT206</b>	18500	10800
<b>BPFT-SA BPFT-SB</b>																				
<b>207</b> 207-20 207-21 207-22 207-23	35 1¼ 15/16 13/8 17/16	122 413/16	100 315/16	44,5 1¾	20 25/32	11 7/16	5,2 0,205	81 33/16	M10 3/8	38,9 1,5315	9,5 0,3740	<b>SA207</b> SA207-20 SA207-21 SA207-22 SA207-23	0,82 1,2598	32 0,3346	8,5 0,3346	<b>SB207</b> SB207-20 SB207-21 SB207-22 SB207-23	0,74	<b>PFT207</b>	24500	14600
<b>BPFT-SA BPFT-SB</b>																				
<b>208</b> 208-24 208-25	40 1½ 19/16	148 513/16	119 411/16	55 23/16	23 29/32	13,5 0,531	5,8 0,228	85 3,646	M15 7/16	43,7 1,7201	11 0,4331	<b>SA208</b> SA208-24 SA208-25	1,05 -	34 0,3543	9 0,3543	<b>SB208</b> SB208-24 SB208-25	0,90	<b>PFT208</b>	27700	17000

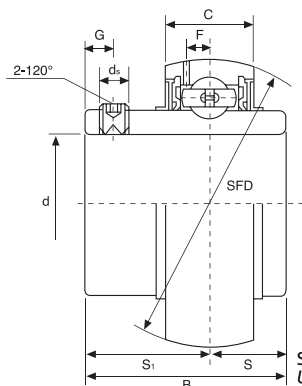
Disponibile in acciaio inox Supporto: AISI 304 - Cuscinetto: AISI 440C o 420C - Available stainless steel Housing: AISI 304 - Bearing: AISI 440C or 420C.





Bearings & Components

## SEALED BALL BEARINGS WITH SET SCREWS CUSCINETTI A SFERE SIGILLATI CON GRANI DI BLOCCAGGIO



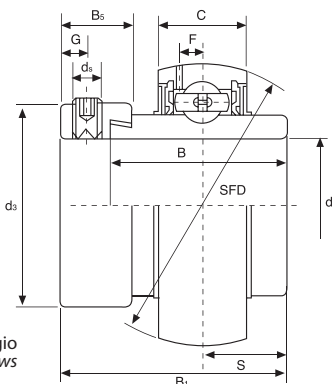
Suffisso UNF: Misure in pollici dei grani di bloccaggio  
UNF suffix: inch sizes set screws

Tipo Type	Dimensioni - Dimensions									Coefficients di carico (N) Load ratings (N)		Peso Weight kg
	d	D	B	C	S	S <sub>1</sub>	G	d <sub>s</sub>	F	Dinamico C Dynamic C	Statico C <sub>0</sub> Static C <sub>0</sub>	
	mm/inch											
<b>UC201</b>	<b>12</b>	47	31	17	12,7	18,3	4,8	M6x1	3,7	12160	6318	0,20
UC201-8	1/2	1,8504	1,2205	0,6693	0,500	0,720	0,189	1/4-28UNF	0,146			0,19
<b>UC202</b>	<b>15</b>	47	31	17	12,7	18,3	4,8	M6x1	3,7	12160	6318	0,19
UC202-9	9/16	1,8504	1,2205	0,6693	0,500	0,720	0,189	1/4-28UNF	0,146			0,19
UC202-10	5/8									0,19		
<b>UC203</b>	<b>17</b>	47	31	17	12,7	18,3	4,8	M6x1	3,7	12160	6318	0,18
UC203-11	11/16	1,8504	1,2205	0,6693	0,500	0,720	0,189	1/4-28UNF	0,146			0,17
<b>*UC204</b>	<b>20</b>	47	31	17	12,7	18,3	4,8	M6x1	3,7	12160	6318	0,16
UC204-12	3/4	1,8504	1,2205	0,6693	0,500	0,720	0,189	1/4-28UNF	0,146			0,16
<b>*UC205</b>	<b>25</b>	52	34,1	17	14,3	19,8	5	M6x1	3,9	13300	7457	0,20
UC205-13	13/16	2,0472	1,3425	0,6693	0,563	0,780	0,197	1/4-28UNF	0,154			0,24
UC205-14	7/8											0,23
UC205-15	15/16											0,21
UC205-16	1											0,20
<b>*UC206</b>	<b>30</b>									62	38,1	19
UC206-17	11/16	2,4409	1,5000	0,7480	0,626	0,874	0,197	1/4-28UNF	0,197	18525	10735	0,33
UC206-18	11/8											0,34
UC206-19	13/16											0,32
UC206-20	1 1/4											0,31
<b>*UC207</b>	<b>35</b>											72
UC207-20	1 1/4	2,8346	1,6890	0,7874	0,689	1,000	0,276	5/16-24UNF	0,224	0,54		
UC207-21	15/16									0,51		
UC207-22	13/8									0,48		
UC207-23	17/16									0,45		
<b>*UC208</b>	<b>40</b>									80	49,2	21
UC208-24	1 1/2	3,1496	1,9370	0,8268	0,748	1,189	0,315	5/16-24UNF	0,244	0,68		
UC208-25	19/16									0,65		
<b>*UC209</b>	<b>45</b>									85	49,2	22
UC209-26	15/8	3,3465	1,9370	0,8661	0,748	1,189	0,315	5/16-24UNF	0,252	0,78		
UC209-27	111/16									0,74		
UC209-28	1 3/4									0,70		
<b>*UC210</b>	<b>50</b>									90	51,6	24
UC210-29	113/16	3,5433	2,0315	0,9449	0,748	1,283	0,394	3/8-24UNF	0,256	0,92		
UC210-30	17/8									0,87		
UC210-31	115/16									0,82		
UC210-32	2									0,78		
<b>*UC211</b>	<b>55</b>									100	55,6	25
UC211-32	2	3,9370	2,1890	0,9843	0,874	1,315	0,394	3/8-24UNF	0,276	1,26		
UC211-33	21/16									1,20		
UC211-34	21/8									1,15		
UC211-35	23/16									1,09		
<b>*UC212</b>	<b>60</b>									110	65,1	27
UC212-36	2 1/4	4,3307	2,5630	1,0630	1,000	1,563	0,394	3/8-24UNF	0,299	1,67		
UC212-37	25/16									1,59		
UC212-38	23/8									1,52		
UC212-39	27/16									1,45		
<b>UC213</b>	<b>65</b>									120	65,1	28
UC213-40	2 1/2	4,7244	2,5630	1,1024	1,000	1,563	0,394	3/8-24UNF	0,335	1,94		
UC213-41	29/16									1,85		
<b>UC214</b>	<b>70</b>									125	74,6	29
UC214-42	25/8	4,9213	2,9370	1,1417	1,189	1,748	0,472	7/16-20UNF	0,350	2,26		
UC214-43	211/16									2,16		
UC214-44	2 3/4									2,06		
<b>UC215</b>	<b>75</b>									130	77,8	30
UC215-45	213/16	5,1181	3,0630	1,1811	1,311	1,752	0,472	7/16-20UNF	0,362	2,46		
UC215-46	27/8									2,35		
UC215-47	215/16									2,24		
UC215-48	3									2,12		
<b>UC216</b>	<b>80</b>									140	82,6	32
UC216-49	31/16	5,5118	3,2520	1,2598	1,311	1,9409	0,472	7/16-20UNF	0,374	2,98		
UC216-50	31/8									2,85		
UC216-51	33/16									2,72		
<b>UC217</b>	<b>85</b>									150	85,7	34
UC217-52	3 3/4	5,9055	3,3740	1,3386	1,343	2,031	0,472	7/16-20UNF	0,402	3,68		
UC217-53	35/16									3,54		
UC217-55	37/16									3,25		
<b>UC218</b>	<b>90</b>									160	96	36
UC218-56	3 1/2	6,2992	3,7795	1,4173	1,5630	2,217	0,472	7/16-20UNF	0,441	4,47		





# SEALED BALL BEARINGS WITH ECCENTRIC COLLAR LOCKING CUSCINETTI A SFERE SIGILLATI CON ANELLO ECCENTRICO DI FISSAGGIO



Suffisso UNF: Misure in pollici dei grani di bloccaggio  
UNF suffix: inch sizes set screws

Tipo Type	Dimensioni - Dimensions											Coefficients di carico (N) Load ratings (N)		Peso Weight kg
	d	D	B <sub>1</sub>	B	C	S	ds	G	B <sub>s</sub>	ds	F	Dinamico C Dynamic C	Statico C <sub>0</sub> Static C <sub>0</sub>	
	mm/inch													
<b>HC204</b>	<b>20</b>	47	43,7	34,2	17	17,1	M6x1	4,8	13,5	33,3	3,7	12160	6318	0,23
HC204-12	¾	1,8504	1,720	1,3465	0,6693	0,673	¼-28UNF	0,189	0,531	1,311	0,146			0,23
<b>HC205</b>	<b>25</b>	52	44,4	34,9	17	17,5	M6x1	4,8	13,5	38,1	3,9	13300	7457	0,27
HC205-13	13/16	2,0472	1,748	1,3740	0,6693	0,689	¼-28UNF	0,189	0,531	1,500	0,154			0,32
HC205-14	7/8													0,31
HC205-15	15/16													0,29
HC205-16	1													0,27
<b>HC206</b>	<b>30</b>											62	48,4	36,5
HC206-17	11/16	2,4409	1,906	1,4370	0,7480	0,720	5/16-24UNF	0,236	0,626	1,752	0,197	0,50		
HC206-18	11/8											0,47		
HC206-19	13/16											0,45		
HC206-20	1¼											0,42		
<b>HC207</b>	<b>35</b>											72	51,1	37,6
HC207-20	1¼	2,8346	2,012	1,4803	0,7874	0,740	5/16-24UNF	0,268	0,689	2,189	0,224	0,67		
HC207-21	15/16											0,63		
HC207-22	13/8											0,60		
HC207-23	17/16											0,57		
<b>HC208</b>	<b>40</b>											80	56,3	42,8
HC208-24	1½	3,1496	2,217	1,6850	0,8268	0,843	5/16-24UNF	0,268	0,720	2,374	0,244	0,84		
HC208-25	19/16											0,80		
<b>HC209</b>	<b>45</b>	85	56,3	42,8	22	21,4	M8x1	6,8	18,3	63,5	6,4	32395	20235	0,85
HC209-26	15/8	3,3465	2,217	1,6850	0,8661	0,843	5/16-24UNF	0,268	0,720	2,5000	0,252			0,96
HC209-27	111/16													0,91
HC209-28	1¾													0,87
<b>HC210</b>	<b>50</b>											90	62,7	49,2
HC210-29	113/16	3,5433	2,469	1,9370	0,9449	0,969	5/16-24UNF	0,268	0,720	2,752	0,256	1,14		
HC210-30	17/8											1,08		
HC210-31	115/16											1,02		
HC210-32	2											0,96		
<b>HC211</b>	<b>55</b>											100	71,4	55,5
HC211-32	2	3,9370	2,811	2,1850	0,9843	1,094	3/8-24UNF	0,315	0,815	3,000	0,276	1,52		
HC211-33	21/16											1,44		
HC211-34	21/8											1,37		
HC211-35	23/16											1,29		
<b>HC212</b>	<b>60</b>											110	77,8	61,9
HC212-36	2¼	4,3307	3,063	2,4370	1,0630	1,220	3/8-24UNF	0,315	0,878	3,315	0,299	2,04		
HC212-37	25/16											1,95		
HC212-38	23/8											1,90		
HC212-39	27/16											1,77		
<b>HC213</b>	<b>65</b>											120	85,7	68,6
HC213-40	2½	4,7244	3,374	2,7008	1,1024	1,343	3/8-24UNF	0,335	0,925	3,386	0,335	2,51		
HC213-41	29/16											2,40		
<b>HC214</b>	<b>70</b>	125	85,7	68,6	29	34,1	M10x1	8,5	23,5	90	8,9	59090	41895	2,55
HC214-42	25/8	4,9213	3,374	2,7008	1,1417	1,343	3/8-24UNF	0,335	0,925	3,543	0,350			2,79
HC214-43	211/16													2,68
HC214-44	2¾													2,56
<b>HC215</b>	<b>75</b>											130	92,1	75
HC215-45	213/16	5,1181	3,626	2,9528	1,1811	1,469	3/8-24UNF	0,335	0,925	4,016	0,362	3,14		
HC215-46	27/8											3,01		
HC215-47	215/16											2,88		
HC215-48	3											2,74		

Disponibile in acciaio inox AISI 440C o 420C - Available stainless steel AISI 440C or 420C

DOWNLOAD OUR CATALOG - SCARICA IL NOSTRO CATALOGO

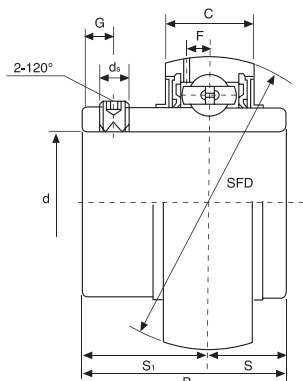


ООО "Технодрайв" тел.: 8(863) 223-20-99

email: info@technodrive.net http://technodrive.pro



# SEALED BALL BEARINGS WITH SET SCREWS CUSCINETTI A SFERE SIGILLATI CON GRANI DI BLOCCAGGIO



Suffisso UNF: Misure in pollici dei grani di bloccaggio  
UNF suffix: inch sizes set screws

Tipo Type	Dimensioni - Dimensions									Coefficients di carico (N) Load ratings (N)		Peso Weight kg		
	d	D	B	C	S	S <sub>1</sub>	G	d <sub>s</sub>	F	Dinamico C Dynamic C	Statico C <sub>0</sub> Static C <sub>0</sub>			
	mm/inch													
<b>UCX05</b> UCX05-13 UCX05-14 UCX05-15 UCX05-16	<b>25</b> 13/16 7/8 15/16 1	62	38,1	19	15,9	22,2	5	M6x1	5,0	18525	10735	0,39		
	2,4409	1,5000	0,7480	0,626	0,874	0,197	1/4-28UNF	0,197						
<b>UCX06</b> UCX06-17 UCX06-18 UCX06-19 UCX06-20	<b>30</b> 11/16 11/8 13/16 1 1/4	72	42,9	20	17,5	25,4	7	M8x1	5,7					
	2,8346	1,6890	0,7874	0,689	1,000	0,276	5/16-24UNF	0,224	24415				14630	0,68
<b>UCX07</b> UCX07-21 UCX07-22 UCX07-23	<b>35</b> 15/16 13/8 17/16	80	49,2	21	19	30,2	8	M8x1	6,2				27645	16910
	3,1496	1,9370	0,8268	0,748	1,189	0,315	5/16-24UNF	0,244						
<b>UCX08</b> UCX08-24 UCX08-25	<b>40</b> 1 1/2 19/16	85	49,2	22	19	30,2	8	M8x1	6,4	32395	20235	0,93		
	3,3465	1,9370	0,8661	0,748	1,189	0,315	5/16-24UNF	0,252						
<b>UCX09</b> UCX09-26 UCX09-27 UCX09-28	<b>45</b> 15/8 111/16 1 3/4	90	51,6	24	19	32,6	10	M10x1	6,5	33345	22135	1,00		
	3,5433	2,0315	0,9449	0,748	1,283	0,394	3/8-24UNF	0,256						
<b>UCX10</b> UCX10-30 UCX10-31 UCX10-32	<b>50</b> 17/8 115/16 2	100	55,6	25	22,2	33,4	10	M10x1	7,0				41230	27930
	3,9370	2,1890	0,9843	0,874	1,315	0,394	3/8-24UNF	0,276						
<b>UCX11</b> UCX11-33 UCX11-34 UCX11-35 UCX11-36	<b>55</b> 21/16 21/8 23/16 2 1/4	110	65,1	27	25,4	39,7	10	M10x1	7,6					
	4,3307	2,5630	1,0630	1,000	1,563	0,394	3/8-24UNF	0,299	49780	34390	1,90			
<b>UCX12</b> UCX12-38 UCX12-39	<b>60</b> 23/8 27/16	120	65,1	28	25,4	39,7	10	M10x1	8,5	54340	38095	2,27		
	4,7244	2,5630	1,1024	1,000	1,563	0,394	3/8-24UNF	0,335						
<b>UCX13</b> UCX13-40 UCX13-41	<b>65</b> 2 1/2 29/16	125	74,6	29	30,2	44,4	12	M12x1,5	8,9	59090	41895	2,45		
	4,9213	2,9370	1,1417	1,189	1,748	0,472	7/16-20UNF	0,350						
<b>UCX14</b> UCX14-42 UCX14-43 UCX14-44	<b>70</b> 25/8 211/16 2 3/4	130	77,8	30	33,3	44,5	12	M12x1,5	9,2	64030	45885	2,47		
	5,1181	3,0630	1,1811	1,311	1,752	0,472	7/16-20UNF	0,362						
<b>UCX15</b> UCX15-45 UCX15-46 UCX15-47 UCX15-48	<b>75</b> 213/16 27/8 215/16 3	140	82,6	32	33,3	49,3	12	M12x1,5	9,5				69065	50350
	5,5118	3,2520	1,2598	1,311	1,9409	0,472	7/16-20UNF	0,374						
<b>UCX16</b> UCX16-49 UCX16-50 UCX16-51	<b>80</b> 31/16 31/8 33/16	150	85,7	34	34,1	51,6	12	M12x1,5	10,2					
	5,9055	3,3740	1,3386	1,343	2,031	0,472	7/16-20UNF	0,402	79800	58805	3,79			
<b>UCX17</b> UCX17-53 UCX17-55	<b>85</b> 35/16 37/16	160	96	36	39,7	56,3	12	M12x1,5	11,2	91295	67925	4,82		
	6,2992	3,7795	1,4173	1,5630	2,217	0,472	1/2-20UNF	0,441						
<b>UCX18</b> UCX18-56 UCX18-57	<b>90</b> 37/16 3 1/2	170	104	39	42,9	61,1	14	M14x1,5	10,5	103550	77805	5,51		
	6,6929	4,0945	1,5354	1,689	2,406	0,511	9/16-18UNF	0,413						
<b>UCX20</b> UCX20-58 UCX20-59 UCX20-60 UCX20-61 UCX20-62 UCX20-64	<b>100</b> 313/16 37/8 315/16 4 4 4	190	117,5	44	49,2	68,3	16	M16x1,5	11,3	126350	99750	8,95		
	7,4803	4,6260	1,7323	1,937	2,689	0,630	5/8-18UNF	0,445						

DOWNLOAD OUR CATALOG - SCARICA IL NOSTRO CATALOGO

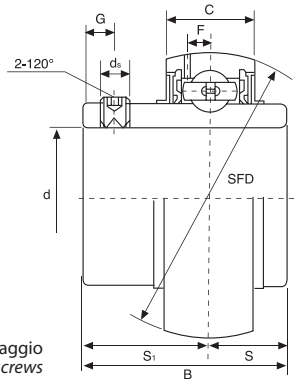


ООО "Технодрайв" тел.: 8(863) 223-20-99

email: info@technodrive.net

http://technodrive.pro

## SEALED BALL BEARINGS WITH SET SCREWS CUSCINETTI A SFERE SIGILLATI CON GRANI DI BLOCCAGGIO



Suffisso UNF: Misure in pollici dei grani di bloccaggio  
UNF suffix: inch sizes set screws

Tipo Type	Dimensioni - Dimensions									Coefficienti di carico (N) Load ratings (N)		Peso Weight kg
	d	D	B	C	S	S <sub>1</sub>	G	d <sub>s</sub>	F	Dinamico C Dynamic C	Statico C <sub>0</sub> Static C <sub>0</sub>	
	mm/inch											
<b>UC305</b>	<b>25</b>	62	38	20	15	23	6	M6x1	5,4			0,35
UC305-13	13/16											0,40
UC305-14	7/8											0,38
UC305-15	15/16	2,4409	1,4961	0,7874	0,591	0,906	0,236	¼-28UNF	0,213	20140	10355	0,36
UC305-16	1											0,35
<b>UC306</b>	<b>30</b>	72	43	23	17	26	6	M6x1	5,7			0,56
UC306-17	11/16											0,61
UC306-18	11/8	2,8346	1,6929	0,9055	0,669	1,024	0,236	¼-28UNF	0,225	25365	14250	0,58
UC306-19	13/16											0,56
<b>UC307</b>	<b>35</b>	80	48	25	19	29	8	M8x1	6,2			0,71
UC307-20	1¼											0,77
UC307-21	15/16	3,1496	1,8898	0,9843	0,748	1,142	0,315	5/16-24UNF	0,224	31730	18335	0,74
UC307-22	13/8											0,71
UC307-23	17/16											0,68
<b>UC308</b>	<b>40</b>	90	52	27	19	33	10	M10x1	7,0			0,96
UC308-24	1½											1,01
UC308-25	19/16	3,5433	2,0472	1,0630	0,748	1,299	0,394	3/8-24UNF	0,276	38665	22800	0,97
<b>UC309</b>	<b>45</b>	100	57	30	22	35	10	M10x1	7,8			1,28
UC309-26	15/8											1,39
UC309-27	111/16	3,9370	2,2441	1,1811	0,866	1,378	0,394	3/8-24UNF	0,307	46455	28025	1,35
UC309-28	1¾											1,30
<b>UC310</b>	<b>50</b>	110	61	32	22	39	12	M12x1,5	8,5			1,65
UC310-29	113/16											1,97
UC310-30	17/8	4,3307	2,4016	1,2598	0,866	1,535	0,472	7/16-20UNF	0,335	58900	36385	1,74
UC310-31	115/16											1,68
<b>UC311</b>	<b>55</b>	120	66	34	25	41	12	M12x1,5	9,2			2,07
UC311-32	2											2,25
UC311-33	21/16	4,7244	2,5984	1,3386	0,984	1,614	0,472	7/16-20UNF	0,362	68020	42750	2,18
UC311-34	21/8											2,12
UC311-35	23/16											2,04
<b>UC312</b>	<b>60</b>	130	71	36	26	45	12	M12x1,5	9,8			2,60
UC312-36	2¼											2,75
UC312-37	25/16	5,1181	2,7953	1,4173	1,0236	1,772	0,472	7/16-20UNF	0,386	77805	49590	2,67
UC312-38	23/8											2,58
UC312-39	27/16											2,50
<b>UC313</b>	<b>65</b>	140	75	38	30	45	12	M12x1,5	10,5			3,25
UC313-40	2½											3,34
UC313-41	29/16	5,5118	2,9528	1,4961	1,181	1,772	0,472	7/16-20UNF	0,413	88065	56905	3,24
<b>UC314</b>	<b>70</b>	150	78	40	33	45	12	M12x1,5	11,1			3,89
UC314-42	25/8											4,11
UC314-43	211/16	5,9055	3,0708	1,5748	1,299	1,772	0,472	7/16-20UNF	0,437	98800	64790	4,00
UC314-44	2¾											3,90
<b>UC315</b>	<b>75</b>	160	82	42	32	50	14	M14x1,5	11,8			4,72
UC315-45	213/16											4,99
UC315-46	27/8	6,2992	3,2283	1,6535	1,260	1,969	0,551	9/16-18UNF	0,465	107350	73340	4,85
UC315-47	215/16											4,76
UC315-48	3											4,63
<b>UC316</b>	<b>80</b>	170	86	44	34	52	14	M14x1,5	12,5			5,55
UC316-49	31/16											5,72
UC316-50	31/8	6,6929	3,3858	1,7323	1,339	2,047	0,551	9/16-18UNF	0,492	116850	82365	5,58
UC316-51	33/16											5,49
<b>UC317</b>	<b>85</b>	180	96	46	40	56	16	M16x1,5	13,1			6,67
UC317-52	3¾											6,89
UC317-53	35/16	7,0866	3,7795	1,8110	1,575	2,205	0,630	5/8-18UNF	0,516	126350	91960	6,76
UC317-55	37/16											6,44
<b>UC318</b>	<b>90</b>	190	96	48	40	56	16	M16x1,5	13,8			7,56
UC318-55	37/16											7,85
UC318-56	3½	7,4803	3,7795	1,8898	1,575	2,205	0,630	5/8-18UNF	0,543	135850	101650	7,67
<b>UC319</b>	<b>95</b>	200	103	50	41	62	16	M16x1,5	14,7			8,70
UC319-58	35/8											9,03
UC319-59	311/16	7,8740	4,0551	1,9685	1,614	2,441	0,630	5/8-18UNF	0,579	145350	113050	8,85
UC319-60	3¾											8,66
<b>UC320</b>	<b>100</b>	215	108	55	42	66	18	M18x1,5	13,5			10,80
UC320-61	313/16											11,20
UC320-62	37/8	8,4646	4,2520	2,1654	1,654	2,598	0,709	5/8-18UNF	0,531	164350	133950	10,98
UC320-63	315/16											10,80
UC320-64	4											10,60
<b>UC321</b>	<b>105</b>	225	112	56	44	68	18	M18x1,5	19,1	174800	145350	12,20
<b>UC322</b>	<b>110</b>	240	117	60	46	71	18	M18x1,5	20,6	194750	171000	14,30
<b>UC324</b>	<b>120</b>	260	126	64	51	75	18	M18x1,5	20,6	196650	175750	18,50
<b>UC326</b>	<b>130</b>	280	135	68	54	81	20	M20x1,5	22,2	217550	203300	23,00
<b>UC328</b>	<b>140</b>	300	145	73	59	86	22	M20x1,5	23,8	240350	233700	28,50

DOWNLOAD OUR CATALOG - SCARICA IL NOSTRO CATALOGO



ООО "Технодрайв" тел.: 8(863) 223-20-99

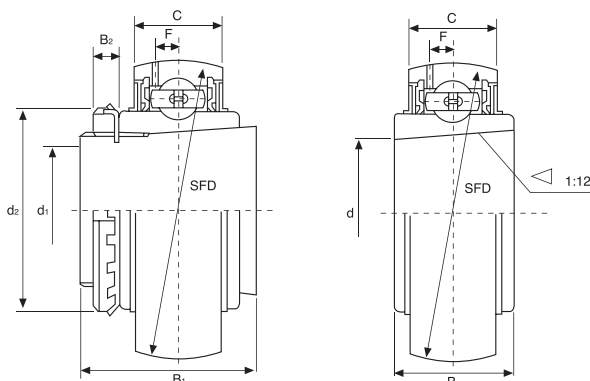
email: info@technodrive.net

http://technodrive.pro



Bearings & Components

## SEALED BALL BEARINGS WITH ADAPTER SLEEVE CUSCINETTI A SFERE SIGILLATI CON BUSSOLA



Tipo Type	Dimensioni - Dimensions									Coefficients di carico (N) Load ratings (N)		Peso Weight kg
	d	D	B	C	d <sub>1</sub>	B <sub>1</sub>	B <sub>2</sub>	d <sub>2</sub>	F	Dinamico C Dynamic C	Statico C <sub>0</sub> Static C <sub>0</sub>	
	mm/inch											
<b>UK205+H2305</b>	<b>25</b>	52	23	17	<b>20</b>	35	8	38	3,9	13300	7457	0,25
UK205+HE2305	0,9843	2,0472	0,9055	0,6693	¾	1,378	0,315	1,496	0,154			
<b>UK206+H2306</b>	<b>30</b>	62	26	19	<b>25</b>	38	8	45	5,0	18525	10735	0,36
UK206+HS2306	1,1811	2,4409	1,0236	0,7480	1	1,496	0,315	1,772	0,197			
<b>UK207+H2307</b>	<b>35</b>	72	29	20	<b>30</b>	43	9	52	5,7	24415	14630	0,57
UK207+HS2307	1,3780	2,8346	1,1417	0,7874	1 1/8	1,693	0,354	2,047	0,224			
<b>UK208+H2308</b>	<b>40</b>	80	31	21	<b>35</b>	46	10	58	6,2	27645	16910	0,74
UK208+HE2308	1,5748	3,1496	1,2205	0,8268	1 ¼	1,811	0,394	2,283	0,244			
<b>UK209+H2309</b>	<b>45</b>	85	31	22	<b>40</b>	50	11	65	6,4	32395	20235	0,83
UK209+HA2309					17/16							
UK209+HE2309	1,7717	3,3465	1,2205	0,8661	1 ½	1,969	0,433	2,559	0,252			
<b>UK210+H2310</b>	<b>50</b>	90	32	24	<b>45</b>	55	12	70	6,5	33345	22135	0,97
UK210+HS2310					15/8							
UK210+HA2310	1,9685	3,5433	1,2598	0,9449	1 11/16	2,165	0,472	2,756	0,256			
<b>UK211+H2311</b>	<b>55</b>	100	35	25	<b>50</b>	59	12	75	7,0	41230	27930	1,26
UK211+HS2311					17/8							
UK211+HA2311	2,1654	3,9370	1,3780	0,9843	1 15/16	2,323	0,472	2,953	0,276			
<b>UK212+H2312</b>	<b>60</b>	110	38	27	<b>55</b>	62	13	80	7,6	49780	34390	1,59
UK212+HS2312	2,3622	4,3307	1,4961	1,0630	21/8	2,441	0,512	3,150	0,299			
<b>UK213+H2313</b>	<b>65</b>	120	40	28	<b>60</b>	65	14	85	8,5	54340	38095	1,76
UK213+HA2313					23/16							
UK213+HS2313	2,5591	4,7244	1,5748	1,1024	2 ¼	2,559	0,551	3,346	0,335			
<b>UK215+H2315</b>	<b>75</b>	130	44	30	<b>65</b>	73	15	98	9,2	64030	45885	2,32
UK215+HA2315	2,9528	5,1181	1,7323	1,1811	27/16	2,874	0,591	3,858	0,362			
<b>UK216+H2316</b>	<b>80</b>	140	45	32	<b>70</b>	78	17	105	9,5	69065	50350	3,06
UK216+HA2316	3,1496	5,5118	1,7717	1,2598	2 11/16	3,071	0,669	4,134	0,374			
<b>UK217+H2317</b>	<b>85</b>	150	46	34	<b>75</b>	82	18	110	10,2	79800	58805	3,88
UK217+HA2317	3,3465	5,9055	1,8110	1,3386	2 15/16	3,228	0,709	4,331	0,402			
<b>UK218+H2318</b>	<b>90</b>	160	47	36	<b>80</b>	86	18	120	11,2	91295	67925	4,74
UK218+HA2318	3,5433	6,2992	1,8504	1,4173	33/16	3,386	0,709	4,724	0,441			

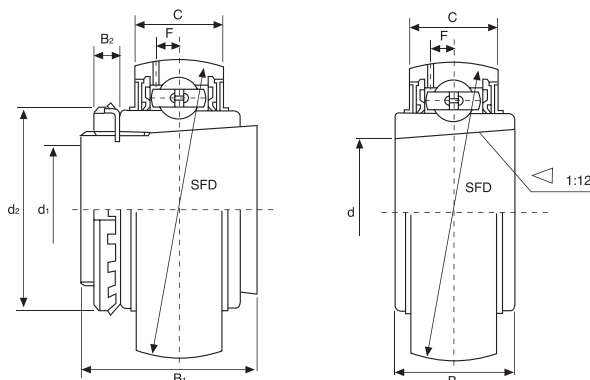
Disponibile in acciaio inox AISI 440C o 420C - Available stainless steel AISI 440C or 420C  
 Bussole HA; HE; HS con filettatura in pollici - Inch dimension adapter sleeves HA; HE; HS





Bearings & Components

## SEALED BALL BEARINGS WITH ADAPTER SLEEVE CUSCINETTI A SFERE SIGILLATI CON BUSSOLA



Tipo Type	Dimensioni - Dimensions									Coefficients di carico (N) Load ratings (N)		Peso Weight
	d	D	B	C	d <sub>1</sub>	B <sub>1</sub>	B <sub>2</sub>	d <sub>2</sub>	F	Dinamico C Dynamic C	Statico C <sub>0</sub> Static C <sub>0</sub>	
	mm/inch											kg
<b>UKX05+H2305</b>	<b>25</b>	62	26	19	<b>20</b>	35	8	38	5	18525	10735	0,37
UKX05+HE2305	0,9845	2,4409	1,0236	0,7480	¾	1,378	0,315	1,496	0,197			
<b>UKX06+H2306</b>	<b>30</b>	72	29	20	<b>25</b>	38	8	45	5,7	24415	14630	0,59
UKX06+HS2306	1,1811	2,8346	1,1417	0,7874	7/8	1,496	0,315	1,771	0,244			
UKX06+HE2306					1							
<b>UKX07+H2307</b>	<b>35</b>	80	31	21	<b>30</b>	43	9	52	6,2	27645	18910	0,75
UKX07+HS2307	1,3780	3,1496	1,2205	0,8268	11/8	1,693	0,354	2,047	0,244			
<b>UKX08+H2308</b>	<b>40</b>	85	31	22	<b>35</b>	46	10	58	6,4	32395	20235	0,86
UKX08+HE2308	1,5748	3,3465	1,2205	0,8661	1¼	1,811	0,394	2,284	0,252			
UKX08+HS2308					13/8							
<b>UKX09+H2309</b>	<b>45</b>	90	32	24	<b>40</b>	50	11	65	6,5	33345	22135	0,96
UKX09+HA2309					17/16							
UKX09+HE2309	1,7717	3,5433	1,2598	0,9449	1½	1,969	0,433	2,559	0,256			
UKX09+HS2309					15/8							
<b>UKX10+H2310</b>	<b>50</b>	100	35	25	<b>45</b>	55	12	70	7,0	41230	27930	1,34
UKX10+HS2310					15/8							
UKX10+HA2310	1,9685	3,9370	1,3780	0,6843	111/16	2,165	0,472	2,756	0,726			
UKX10+HE2310					1¾							
<b>UKX11+H2311</b>	<b>55</b>	100	38	27	<b>50</b>	59	12	75	7,6	49780	34390	1,67
UKX11+HS2311					17/8							
UKX11+HA2311	2,1654	4,3307	1,496	1,0630	115/16	2,323	0,472	2,953	0,299			
UKX11+HE2311					2							
<b>UKX12+H2312</b>	<b>60</b>	120	40	28	<b>55</b>	62	13	80	8,5	54340	38095	1,84
UKX12+HS2312	2,3622	4,7244	1,5748	1,1024	21/8	2,441	0,512	3,150	0,335			
<b>UKX13+H2313</b>	<b>65</b>	125	40	29	<b>60</b>	65	14	85	8,9	59090	41895	2,15
UKX13+HA2313					23/16							
UKX13+HE2313	2,5591	4,9213	1,5748	1,1417	2¼	2,559	0,551	3,346	0,350			
UKX13+HS2313					23/8							
<b>UKX15+H2315</b>	<b>75</b>	140	45	32	<b>65</b>	73	15	98	9,5	69065	50350	3,05
UKX15+HA2315					27/16							
UKX15+HS2315	2,9528	5,5118	1,7717	1,2598	2½	2,874	0,591	3,858	0,374			
<b>UKX16+H2316</b>	<b>80</b>	150	46	34	<b>70</b>	78	17	105	10,2	79800	58805	3,95
UKX16+HA2316					211/16							
UKX16+HS2316	3,1496	5,9055	1,811	1,3386	2¾	3,071	0,669	4,134	0,402			
<b>UKX17+H2317</b>	<b>85</b>	160	47	36	<b>75</b>	82	18	110	11,2	91295	67925	4,83
UKX17+HA2317					215/16							
UKX17+HE2317	3,3465	6,2992	1,8504	1,4173	3	3,228	0,709	4,331	0,441			
<b>UKX18+H2318</b>	<b>90</b>	170	52	39	<b>80</b>	86	18	120	12,5	103550	77805	5,45
UKX18+HA2318	3,5433	6,6929	1,9685	1,5354	33/16	3,386	0,709	4,724	0,492			

Bussole HA; HE; HS con filettatura in pollici - Inch dimension adapter sleeves HA; HE; HS

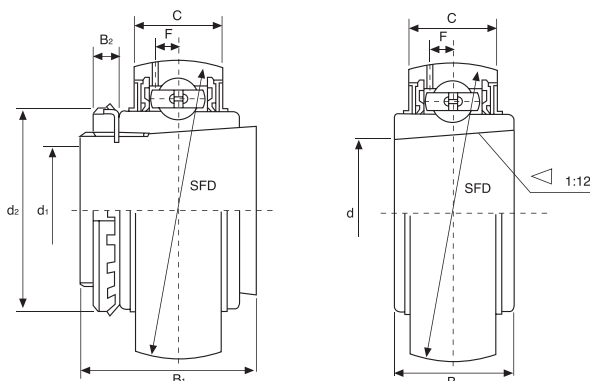






Bearings & Components

## SEALED BALL BEARINGS WITH ADAPTER SLEEVE CUSCINETTI A SFERE SIGILLATI CON BUSSOLA



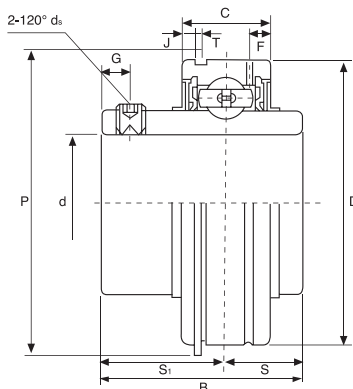
Tipo Type	Dimensioni - Dimensions									Coefficients di carico (N) Load ratings (N)		Peso Weight kg
	d	D	B	C	d <sub>1</sub>	B <sub>1</sub>	B <sub>2</sub>	d <sub>2</sub>	F	Dinamico C Dynamic C	Statico C <sub>0</sub> Static C <sub>0</sub>	
	mm/inch											
<b>UK305+H2305</b>	25	62	26	20	<b>20</b>	35	8	38	5,0	20140	10355	0,48
UC305+HE2305	0,9843	2,4409	1,0236	0,7874	¾	1,378	0,315	1,496	0,197			
<b>UK306+H2306</b>	30	72	29	23	<b>25</b>	38	8	45	5,9	25365	14250	0,59
UK306+HS2306	1,1811	2,8346	1,1417	0,9055	7/8	1,496	0,315	1,772	0,232			
<b>UK307+H2307</b>	35	80	33	25	<b>30</b>	43	9	52	6,8	31730	18335	0,76
UK307+HS2307	1,3780	3,1496	1,2992	0,9843	1 1/8	1,693	0,354	2,047	0,268			
<b>UK308+H2308</b>	40	90	34	27	<b>35</b>	46	10	58	7,4	38665	22800	1,07
UK308+HE2308	1,5748	3,5433	1,3386	1,0630	1 ¼	1,811	0,394	2,283	0,291			
<b>UK309+H2309</b>	45	100	37	29	<b>40</b>	50	11	65	7,4	46455	28025	1,31
UK309+HA2309					17/16							
UK309+HE2309	1,7717	3,9370	1,4567	1,1417	1 ½	1,969	0,433	2,559	0,291			
<b>UK310+H2310</b>	50	110	41	32	<b>45</b>	55	12	70	8,1	58900	36385	1,70
UK310+HS2310					15/8							
UK310+HA2310	1,9685	4,3307	1,6142	1,2598	1 11/16	2,165	0,472	2,756	0,319			
<b>UK311+H2311</b>	55	120	44	34	<b>50</b>	59	12	75	8,5	68020	42750	2,06
UK311+HS2311					17/8							
UK311+HA2311	2,1654	4,7244	1,7323	1,3386	1 15/16	2,323	0,472	2,953	0,335			
<b>UK312+H2312</b>	60	130	47	36	<b>55</b>	62	13	80	9	77805	49590	2,58
UK312+HS2312	2,3622	5,1181	1,8504	1,4173	2 1/8	2,441	0,512	3,150	0,354			
<b>UK313+H2313</b>	65	140	49	39	<b>60</b>	65	14	85	10,1	88065	56905	3,07
UK313+HA2313					23/16							
UK313+HE2313	2,5591	5,5118	1,9291	1,5354	2 ¼	2,559	0,551	3,346	0,398			
<b>UK315+H2315</b>	75	160	55	43	<b>65</b>	73	15	98	11	107350	73340	4,82
UK315+HA2315	2,9528	6,2992	2,1654	1,6929	27/16	2,874	0,591	3,858	0,433			
<b>UK316+H2316</b>	80	170	58	45	<b>70</b>	78	17	105	11,4	116850	82365	5,63
UK316+HA2316	3,1496	6,6929	2,2835	1,7717	2 11/16	3,071	0,669	4,134	0,449			
UK316+HE2316					2 ¾							
<b>UK317+H2317</b>	85	180	60	47	<b>75</b>	82	18	110	12,0	126350	91960	6,47
UK317+HA2317	3,3465	7,0866	2,3622	1,8504	2 15/16	3,228	0,709	4,331	0,472			
<b>UK318+H2318</b>	90	190	64	49	<b>80</b>	86	18	120	12,3	135850	101650	7,52
UK318+HA2318	3,5433	7,4803	2,5197	1,9291	33/16	3,386	0,709	4,724	0,484			

Bussolle HA; HE; HS con filettatura in pollici - Inch dimension adapter sleeves HA; HE; HS





## SEALED BALL BEARINGS WITH LOCATING SNAP RING CUSCINETTI A SFERE SIGILLATI CON ANELLO DI FISSAGGIO



Suffisso UNF: Misure in pollici dei grani di bloccaggio  
UNF suffix: inch sizes set screws

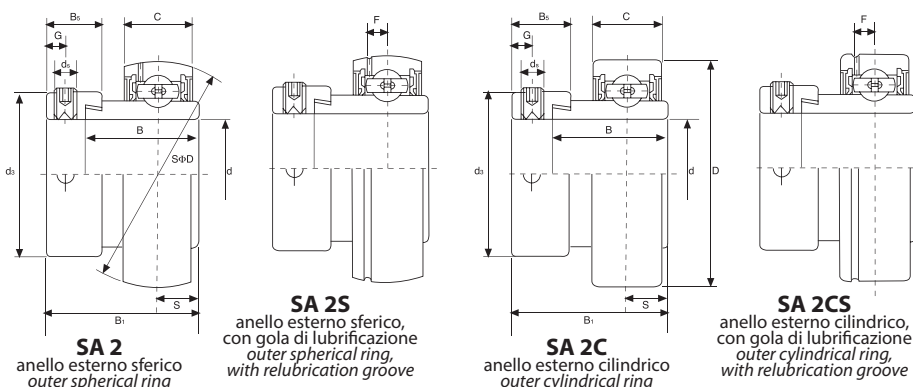
Tipo Type	Dimensioni - Dimensions												Coefficients di carico (N) Load ratings (N)		Peso Weight kg
	d	D	B	C	S	S <sub>1</sub>	T	F	J	P	G	d <sub>s</sub>	Dinamico C Dynamic C	Statico C <sub>0</sub> Static C <sub>0</sub>	
	mm/inch														
<b>SER204</b>	<b>20</b>	47	31	15,9	10,3	20,7	1,12	3,8	2,46	52,7	4,8	M6x1	9880	6200	0,21
SER204-12	¾	1,8504	1,2205	0,6260	0,406	0,815	0,044	0,150	0,097	2,075	0,189	¼-28UNF			
<b>SER205</b>	<b>25</b>	52	34,9	19	13,1	21,8	1,12	5,2	2,46	57,9	5	M6x1	10780	6980	0,27
SER205-13	13/16	2,0472	1,3740	0,7480	0,516	0,858	0,044	0,205	0,097	2,280	0,197	¼-28UNF			
SER205-14	7/8														
SER205-15	15/16														
SER205-16	1														
<b>SER206</b>	<b>30</b>												62	38,1	22,2
SER206-17	11/16	2,4409	1,5000	0,8740	0,626	0,874	0,067	0,220	0,129	2,665	0,197	¼-28UNF			
SER206-18	11/8														
SER206-19	13/16														
SER206-20	1¼														
<b>SER207</b>	<b>35</b>												72	42,9	23,8
SER207-20	1¼	2,8346	1,6890	0,9370	0,689	1,000	0,067	0,220	0,129	3,094	0,264	5/16-24UNF			
SER207-21	15/16														
SER207-22	13/8														
SER207-23	17/16														
<b>SER208</b>	<b>40</b>												80	49,2	27,8
SER208-24	1½	3,1496	1,9370	1,0945	0,748	1,189	0,067	0,252	0,129	3,409	0,315	5/16-24UNF			
SER208-25	19/16														
<b>SER209</b>	<b>45</b>												85	49,2	27,8
SER209-26	15/8	3,3465	1,9370	1,0945	0,748	1,189	0,067	0,252	0,129	3,606	0,315	5/16-24UNF			
SER209-27	111/16														
SER209-28	1¾														
<b>SER210</b>	<b>50</b>												90	51,6	28,6
SER210-29	113/16	3,5433	2,0315	1,1260	0,748	1,283	0,097	0,295	0,129	3,799	0,394	3/8-24UNF			
SER210-30	17/8														
SER210-31	115/16														
SER210-32	2														
<b>SER211</b>	<b>55</b>												100	55,6	30,2
SER211-32	2	3,9370	2,1890	1,1890	0,874	1,315	0,097	0,295	0,129	4,193	0,394	3/8-24UNF			
SER211-33	21/16														
SER211-34	21/8														
SER211-35	23/16														
<b>SER212</b>	<b>60</b>												110	65,1	31,8
SER212-36	2¼	4,3307	2,5630	1,2520	1,000	1,563	0,097	0,295	0,129	4,591	0,394	3/8-24UNF			
SER212-37	25/16														
SER212-38	23/8														
SER212-39	27/16														





Bearings & Components

## SEALED BALL BEARINGS WITH ECCENTRIC COLLAR LOCKING CUSCINETTI A SFERE SIGILLATI CON ANELLO ECCENTRICO DI FISSAGGIO



**SA 2**  
anello esterno sferico  
outer spherical ring

**SA 2S**  
anello esterno sferico,  
con gola di lubrificazione  
outer spherical ring,  
with relubrication groove

**SA 2C**  
anello esterno cilindrico  
outer cylindrical ring

**SA 2CS**  
anello esterno cilindrico,  
con gola di lubrificazione  
outer cylindrical ring,  
with relubrication groove

Tipo Type	Dimensioni - Dimensions											Coefficienti di carico (N) Load ratings (N)		Peso Weight kg
	d	D	B <sub>1</sub>	B	C	S	d <sub>s</sub>	G	B <sub>s</sub>	d <sub>s</sub>	F	Dinamico C Dynamic C	Statico C <sub>0</sub> Static C <sub>0</sub>	
	mm/inch													
<b>SA201</b>	12	40	28,6	19,1	12	6,5	M6x1	4,8	13,5	28,6	3,7	9200	4480	0,12
SA201-8	½	1,5748	1,126	0,7520	0,4724	0,256	¼-28UNF	0,189	0,531	1,126	0,146			
<b>SA202</b>	15	40	28,6	19,1	12	6,5	M6x1	4,8	13,5	28,6	3,7	9200	4480	0,10
SA202-9	9/16	1,5748	1,126	0,7520	0,4724	0,256	¼-28UNF	0,189	0,531	1,126	0,146			
SA202-10	5/8													
<b>SA203</b>	17	40	28,6	19,1	12	6,5	M6x1	4,8	13,5	28,6	3,7	9200	4480	0,09
SA203-11	11/16	1,5748	1,126	0,7520	0,4724	0,256	¼-28UNF	0,189	0,531	1,126	0,146			
<b>SA204</b>	20	47	31	21,5	14	7,5	M6x1	4,8	13,5	33,3	3,7	12200	6300	0,16
SA204-12	¾	1,8504	1,220	0,8465	0,5512	0,295	¼-28UNF	0,189	0,531	1,311	0,146			
<b>SA205</b>	25	52	31	21,5	15	7,5	M6x1	4,8	13,5	38,1	3,9	13300	7460	0,20
SA205-13	13/16	2,0472	1,220	0,8465	0,5906	0,295	¼-28UNF	0,189	0,531	1,500	0,154			
SA205-14	7/8													
SA205-15	15/16													
SA205-16	1													
<b>SA206</b>	30	62	35,7	23,8	16	9	M8x1	6	15,9	44,5	5,0	18500	10800	0,30
SA206-17	11/16	2,4409	1,406	0,9370	0,6299	0,354	5/16-28UNF	0,236	0,626	1,752	0,197			
SA206-18	11/8													
SA206-19	13/16													
SA206-20	1¼													
<b>SA207</b>	35	72	38,9	25,4	17	9,5	M8x1	6,8	17,5	55,6	5,7	24500	14600	0,42
SA207-20	1¼	2,8346	1,531	1,000	0,6693	0,374	5/16-24UNF	0,268	0,689	2,189	0,224			
SA207-21	15/16													
SA207-22	13/8													
SA207-23	17/16													
<b>SA208</b>	40	80	43,7	30,2	18	11	M8x1	6,8	18,3	60,3	6,2	27700	17000	0,60
SA208-24	1½	3,1496	1,721	1,1890	0,7087	0,433	5/16-24UNF	0,268	0,720	2,374	0,244			
SA208-25	19/16													
<b>SA209</b>	45	85	43,7	30,2	19	11	M8x1	6,8	18,3	63,5	6,4	31100	24450	0,76
SA209-26	15/8	3,3465	1,721	1,1890	0,7480	0,433	5/16-24UNF	0,268	0,720	2,500	0,252			
SA209-27	111/16													
SA209-28	1¾													
<b>SA210</b>	50	90	43,7	30,2	20	11	M8x1	6,8	18,3	69,9	6,5	35300	28160	0,91
SA210-29	113/16	3,5433	1,721	1,1890	0,7874	0,433	5/16-24UNF	0,268	0,720	2,752	0,256			
SA210-30	17/8													
SA210-31	115/16													
SA210-32	2													
<b>SA211</b>	55	100	48,4	32,5	21	12	M8x1	8	20,7	76,2	7,0	38100	30000	1,26
SA211-32	2	3,9370	1,906	1,2795	0,8268	0,472	5/16-24UNF	0,315	0,815	3,000	0,276			
SA211-33	21/16													
SA211-34	21/8													
SA211-35	23/16													
<b>SA212</b>	60	110	53,1	37,2	22	13,5	M10x1	8	22,3	84,2	7,6	41500	32730	1,70
SA212-36	2¼	4,3307	2,091	1,4646	0,8661	0,532	3/8-24UNF	0,315	0,878	3,315	0,299			
SA212-37	25/16													
SA212-38	23/8													
SA212-39	27/16													

Disponibile in acciaio inox AISI 440C o 420C - Available stainless steel AISI 440C or 420C

DOWNLOAD OUR CATALOG - SCARICA IL NOSTRO CATALOGO



ООО "Технодрайв" тел.: 8(863) 223-20-99

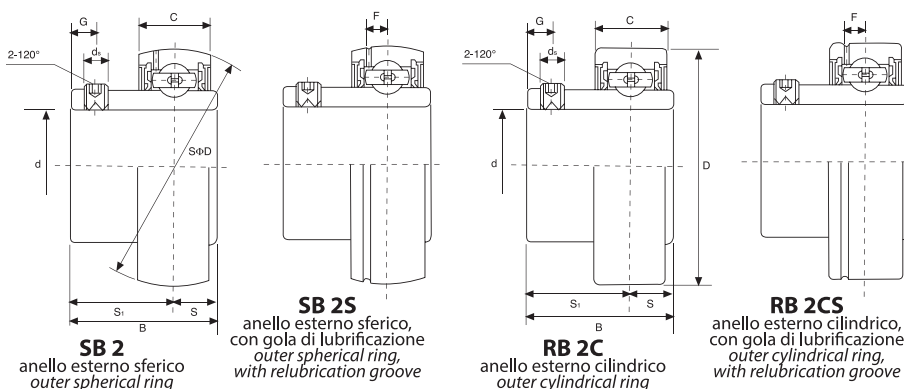
email: info@technodrive.net

http://technodrive.pro



Bearings & Components

## SEALED BALL BEARINGS WITH SET SCREWS CUSCINETTI A SFERE SIGILLATI CON GRANI DI BLOCCAGGIO



Tipo Type	Dimensioni - Dimensions									Coefficienti di carico (N) Load ratings (N)		Peso Weight
	d	D	B	C	S	S <sub>1</sub>	d <sub>s</sub>	G	F	Dinamico C Dynamic C	Statico C <sub>0</sub> Static C <sub>0</sub>	
	mm/inch											kg
<b>SB-RB201</b>	<b>12</b>	40	22	12	6	16	M5x0,8	4,5	3,7	9200	4480	0,10
SB-RB201-8	½	1,5748	0,8661	0,4724	0,236	0,630	10-32UNF	0,177	0,146			0,10
<b>SB-RB202</b>	<b>15</b>	40	22	12	6	16	M5x0,8	4,5	3,7	9200	4480	0,10
SB-RB202-9	9/16	1,5748	0,8661	0,4724	0,236	0,630	10-32UNF	0,177	0,146			0,10
SB-RB202-10	5/8									0,10		
<b>SB-RB203</b>	<b>17</b>	40	22	12	6	16	M5x0,8	4,5	3,7	9200	4480	0,09
SB-RB203-11	11/16	1,5748	0,7520	0,4724	0,256	1/4-28UNF	0,189	0,531	0,146			0,09
<b>SB-RB204</b>	<b>20</b>	47	25	14	7	18	M6x1	4,5	3,7	12200	6300	0,13
SB-RB204-12	¾	1,8504	0,9843	0,5512	0,276	0,709	¼-28UNF	0,177	0,146			0,14
<b>SB-RB205</b>	<b>25</b>	52	27	15	7,5	19,5	M6x1	5,5	3,9	13300	7460	0,16
SB-RB205-13	13/16	2,0472	1,0630	0,5906	0,295	0,768	¼-28UNF	0,217	0,154			0,19
SB-RB205-14	7/8											0,18
SB-RB205-15	15/16											0,17
SB-RB205-16	1											0,16
<b>SB-RB206</b>	<b>30</b>									62	30	16
SB-RB206-17	11/16	2,4409	1,1811	0,6299	0,315	0,866	¼-28UNF	0,236	0,197	18500	10800	0,28
SB-RB206-18	11/8											0,26
SB-RB206-19	13/16											0,25
SB-RB206-20	1¼											0,24
<b>SB-RB207</b>	<b>35</b>											72
SB-RB207-20	1¼	2,8346	1,2598	0,6693	0,335	0,925	5/16-24UNF	0,256	0,224	0,43		
SB-RB207-21	15/16									0,41		
SB-RB207-22	13/8									0,38		
SB-RB207-23	17/16									0,37		
<b>SB-RB208</b>	<b>40</b>									80	34	18
SB-RB208-24	1½	3,1496	1,3386	0,7087	0,354	0,984	5/16-24UNF	0,276	0,244	0,58		
SB-RB208-25	19/16									0,60		
<b>SB-RB209</b>	<b>45</b>	85	41,2	19	10,2	31	M8x1	8,2	6,4	31100	24450	0,8
SB-RB209-26	15/8	3,3465	1,6220	0,7480	0,402	1,220	5/16-24UNF	0,323	0,252			
SB-RB209-27	111/16											
SB-RB209-28	1¾											
<b>SB-RB210</b>	<b>50</b>									90	43,5	20
SB-RB210-29	113/16	3,5433	1,7126	0,7874	0,429	1,283	3/8-24UNF	0,362	0,256			
SB-RB210-30	17/8											
SB-RB210-31	115/16											
SB-RB210-32	2											
<b>SB-RB211</b>	<b>55</b>									100	45,3	21
SB-RB211-32	2	3,9370	1,7835	0,8268	0,465	1,319	3/8-24UNF	0,386	0,276			
SB-RB211-33	21/16											
SB-RB211-34	21/8											
SB-RB211-35	23/16											
<b>SB-RB212</b>	<b>60</b>									110	53,7	22
SB-RB212-36	2¼	4,3307	2,1142	0,8661	0,587	1,528	3/8-24UNF	0,386	0,299			
SB-RB212-37	25/16											
SB-RB212-38	23/8											
SB-RB212-39	27/16											

Disponibile in acciaio inox AISI 440C o 420C - Available stainless steel AISI 440C or 420C

DOWNLOAD OUR CATALOG - SCARICA IL NOSTRO CATALOGO



ООО "Технодрайв" тел.: 8(863) 223-20-99

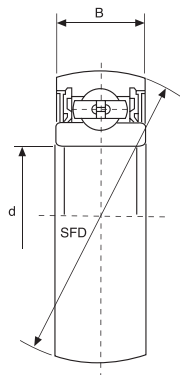
email: info@technodrive.net

http://technodrive.pro



Bearings & Components

## SEALED BALL BEARINGS CUSCINETTI A SFERE SIGILLATI

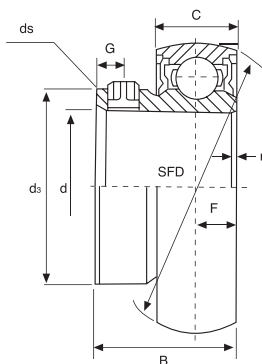


Tipo Type	Dimensioni - Dimensions			Coefficienti di carico (N) Load ratings (N)		Peso Weight
	d	D	B	Dinamico C Dynamic C	Statico C <sub>0</sub> Static C <sub>0</sub>	
	mm/inch					kg
<b>CB200</b>	<b>10</b>	<b>30</b>	<b>9</b>	3750	2150	0,030
CB200	0,3937	1,1811	0,3543			
<b>CB201</b>	<b>12</b>	<b>32</b>	<b>10</b>	4500	2500	0,035
CB201	0,4724	1,2598	0,3937			
<b>CB202</b>	<b>15</b>	<b>35</b>	<b>11</b>	5650	3300	0,040
CB202	0,5906	1,3780	0,4331			
<b>CB203</b>	<b>17</b>	<b>40</b>	<b>12</b>	7000	4480	0,06
CB203	0,6693	1,5748	0,4724			
<b>CB204</b>	<b>20</b>	<b>47</b>	<b>14</b>	9880	6200	0,10
CB204	0,7874	1,8504	0,5512			
<b>CB205</b>	<b>25</b>	<b>52</b>	<b>15</b>	10780	6980	0,13
CB205	0,9843	2,0472	0,5906			
<b>CB206</b>	<b>30</b>	<b>62</b>	<b>16</b>	14970	10040	0,20
CB206	1,1811	2,4409	0,6299			
<b>CB207</b>	<b>35</b>	<b>72</b>	<b>17</b>	19750	13670	0,29
CB207	1,3780	2,8346	0,6693			
<b>CB208</b>	<b>40</b>	<b>80</b>	<b>18</b>	22710	15940	0,37
CB208	1,5748	3,1496	0,7087			
<b>CB209</b>	<b>45</b>	<b>85</b>	<b>19</b>	24360	17710	0,46
CB209	1,7717	3,3465	0,7480			
<b>CB210</b>	<b>50</b>	<b>90</b>	<b>20</b>	26980	19840	0,57
CB210	1,9685	3,5433	0,7874			
<b>CB211</b>	<b>55</b>	<b>100</b>	<b>21</b>	28500	21850	0,62
CB211	2,1654	3,9370	0,8268			
<b>CB212</b>	<b>60</b>	<b>110</b>	<b>22</b>	31700	24500	0,80
CB212	2,3622	4,3307	0,8661			



Bearings & Components

## BEARINGS WITH SET SCREWS CUSCINETTI CON GRANI



Tipo Type	Dimensioni - Dimensions										Coefficienti di carico (N) Load ratings (N)		Peso Weight
	d	D	B	C	d <sub>s</sub>	F	G	r	ds	Dinamico C Dynamic C	Statico C <sub>0</sub> Static C <sub>0</sub>		
	mm/inch												kg
<b>U000</b>	<b>10</b>	<b>26</b>	<b>14</b>	<b>8</b>	<b>14,75</b>	<b>4</b>	<b>3</b>	<b>0,5</b>	M3	4700	2000	0,023	
U000	0,3937	1,024	0,5512	0,3150	0,5807	1,1575	0,1181	0,0197					
<b>U001</b>	<b>12</b>	<b>28</b>	<b>14,5</b>	<b>8</b>	<b>17,35</b>	<b>4</b>	<b>3</b>	<b>0,5</b>	M3	5200	2450	0,027	
U001	0,4724	1,1024	0,5709	0,3150	0,6831	1,1575	0,1181	0,0197					
<b>U002</b>	<b>15</b>	<b>32</b>	<b>16,5</b>	<b>9</b>	<b>20,02</b>	<b>4,5</b>	<b>3,5</b>	<b>0,5</b>	M4	5700	2900	0,045	
U002	0,5906	1,2598	0,6496	0,3543	0,7882	0,1772	0,1378	0,0197					
<b>U003</b>	<b>17</b>	<b>35</b>	<b>17,5</b>	<b>10</b>	<b>23,10</b>	<b>5</b>	<b>3,5</b>	<b>0,5</b>	M4	6100	3350	0,050	
U003	0,6693	1,3780	0,6890	0,3937	0,9094	0,1969	0,1378	0,0197					
<b>U004</b>	<b>20</b>	<b>42</b>	<b>21</b>	<b>12</b>	<b>27,00</b>	<b>6</b>	<b>4</b>	<b>1</b>	M5	9550	5150	0,086	
U004	0,7874	1,6535	0,8268	0,4724	1,0630	0,2362	1,1575	0,0394					
<b>U005</b>	<b>25</b>	<b>47</b>	<b>22,5</b>	<b>12</b>	<b>31,70</b>	<b>6</b>	<b>4,5</b>	<b>1</b>	M5	10300	5950	0,100	
U005	0,9843	1,8504	0,8858	0,4724	1,2480	0,2362	0,1772	0,0394					
<b>U006</b>	<b>30</b>	<b>55</b>	<b>24,5</b>	<b>13</b>	<b>38,00</b>	<b>6,5</b>	<b>5</b>	<b>1,5</b>	M5	13500	8450	0,145	
U006	1,1811	2,1654	0,9646	0,5118	1,4961	0,2559	0,1969	0,0591					

DOWNLOAD OUR CATALOG - SCARICA IL NOSTRO CATALOGO



ООО "Технодрайв" тел.: 8(863) 223-20-99

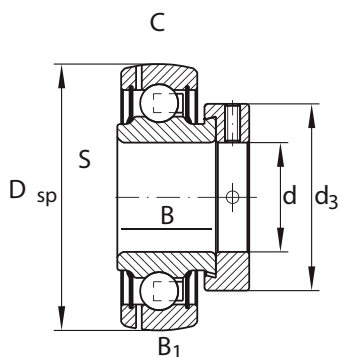
email: info@technodrive.net

http://technodrive.pro

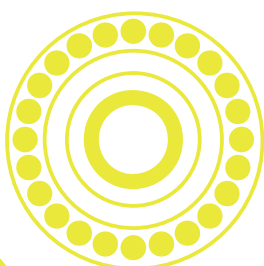


Bearings & Components

## RADIAL INSERT BALL BEARINGS WITH LOCKING COLLAR CUSCINETTO CON ANELLO DI BLOCCAGGIO



Tipo Type	Dimensioni - Dimensions							Coefficienti di carico Load ratings		Peso Weight
	d	Dsp	C	B	S	B1	d3 max	Dinamico Cr (kN) Dynamic Cr (kN)	Statico Cor (kN) Static Cor (kN)	
	mm									kg
GRAE 20 NPP-B	20	47	14	21,4	7,5	31	33	12,8	6,6	0,16
GRAE 25 NPP-B	25	52	15	21,4	7,5	31	37,5	14	7,8	0,19
GRAE 30 NPP-B	30	62	18	23,8	9	35,8	44	19,5	11,3	0,31
GRAE 35 NPP-B	35	72	19	25,4	9,5	39	51	25,5	15,3	0,48
GRAE 40 NPP-B	40	80	21	30,2	11	43,8	58	32,5	19,8	0,62
GRAE 45 NPP-B	45	85	22	30,2	11	43,8	63	32,5	20,4	0,69
GRAE 50 NPP-B	50	90	22	30,2	11	43,8	69	35	23,2	0,77
GRAE 55 NPP-B	55	100	25	32,5	12	48,4	76	43,5	29	0,81
GRAE 60 NPP-B	60	110	24	37,1	13,5	53,1	84	56	36	1,4



DOWNLOAD OUR CATALOG - SCARICA IL NOSTRO CATALOGO



ООО "Технодрайв" тел.: 8(863) 223-20-99

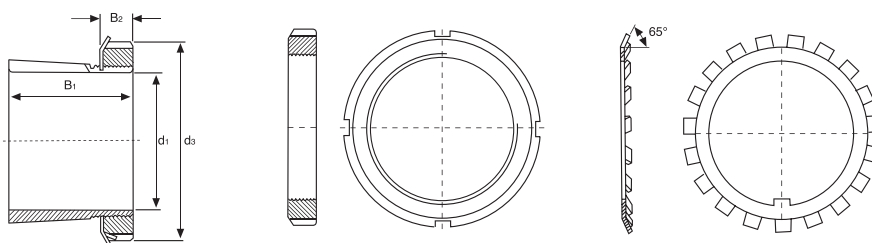
email: info@technodrive.net

http://technodrive.pro



Bearings & Components

## ADAPTER SLEEVES BUSSOLE DI TRAZIONE



Tipo Type	Dimensioni - Dimensions				Bussola Sleeve	Ghiera di bloccaggio Lock nut	Rosetta Washer	Cuscinetto Bearing			Peso Weight
	d <sub>1</sub>	B <sub>1</sub>	B <sub>2</sub>	d <sub>3</sub>	A...	KM	MB	Serie normale Normal duty	Serie media Medium duty	Serie pesante Heavy duty	kg
	mm/inch										
<b>H 2305</b> HE 2305	<b>20</b> ¾	35 1,3780	8 0,3150	38 1,4961	<b>A 2305X</b> AE 2305X	KM 05	MB 05	UK 205	UK X05	UK 305	0,087
<b>H 2306</b> HS 2306 HA 2306 HE 2306	<b>25</b> 7/8 15/16 1	38 1,4961	8 0,3150	45 1,7717	<b>A 2306X</b> AS 2306X AA 2306X AE 2306X	KM 06	MB 06	UK 206	UK X06	UK 306	0,126
<b>H 2307</b> HS 2307 HA 2307	<b>30</b> 11/8 13/16	43 1,6929	9 0,3543	52 2,0472	<b>A 2307X</b> AS 2307X AA 2307X	KM 07	MB 07	UK 207	UK X07	UK 307	0,165
<b>H 2308</b> HE 2308 HS 2308	<b>35</b> 1¼ 13/8	46 1,8110	10 0,3937	58 2,2835	<b>A 2308X</b> AS 2308X AS 2308X	KM 08	MB 08	UK 208	UK X08	UK 308	0,224
<b>H 2309</b> HA 2309 HE 2309 HS 2309	<b>40</b> 17/16 1½ 15/8	50 1,9685	11 0,4331	65 2,5591	<b>A 2309X</b> AA 2309X AE 2309X AS 2309X	KM 09	MB 09	UK 209	UK X09	UK 309	0,280
<b>H 2310</b> HA 2310 HE 2310	<b>45</b> 111/16 1¾	55 2,1654	12 0,4724	70 2,7559	<b>A 2310X</b> AA 2310X AE 2310X	KM 10	MB 10	UK 210	UK X10	UK 310	0,362
<b>H 2311</b> HS 2311 HA 2311 HE 2311	<b>50</b> 17/8 115/16 2	59 2,3228	12 0,4724	75 2,9528	<b>A 2311X</b> AS 2311X AA 2311X AE 2311X	KM 11	MB 11	UK 211	UK X11	UK 311	0,420
<b>H 2312</b> HS 2312	<b>55</b> 21/8	62 2,4409	13 0,5118	80 3,1496	<b>A 2312X</b> AS 2312X	KM 12	MB 12	UK 212	UK X12	UK 312	0,480
<b>H 2313</b> HA 2313 HE 2313 HS 2313	<b>60</b> 23/16 2¼ 23/8	65 2,5591	14 0,5512	85 3,3465	<b>A 2313X</b> AA 2313X AE 2313X AS 2313X	KM 13	MB 13	UK 213	UK X13	UK 313	0,556
<b>H 2315</b> HE 2315 HS 2315	<b>65</b> 2½ 25/8	73 2,8740	15 0,5906	98 3,8583	<b>A 2315X</b> AE 2315X AS 2315X	KM 15	MB 15	UK 215	UK X15	UK 315	1,05
<b>H 2316</b> HE 2316	<b>70</b> 2¾	78 3,0709	17 0,6693	105 4,1339	<b>A 2316X</b> AE 2316X	KM 16	MB 16	UK 216	UK X16	UK 316	1,28
<b>H 2317</b> HS 2317 HA 2317 HE 2317	<b>75</b> 27/8 215/16 3	82 3,2283	18 0,7087	110 4,3307	<b>A 2317X</b> AS 2317X AA 2317X AE 2317X	KM 17	MB 17	UK 217	UK X17	UK 317	1,45
<b>H 2318</b> HA 2318	<b>80</b> 33/16	86 3,3858	18 0,7087	120 4,7244	<b>A 2318X</b> AA 2318X	KM 18	MB 18	UK 218	UK X18	UK 318	1,70
<b>H 2319</b> HE 2319	<b>85</b> 3¼	90 3,5433	19 0,7480	125 4,9213	<b>A 2319X</b> AE 2319X	KM 19	MB 19	-	-	UK 319	1,94
<b>H 2320</b> HE 2320	<b>90</b> 3½	97 3,8189	20 0,7874	130 5,1181	<b>A 2320X</b> AE 2320X	KM 20	MB 20	-	UK X20	UK 320	2,15
<b>H 2322</b> HE 2322	<b>100</b> 4	105 4,1339	21 0,8268	145 5,7087	<b>A 2322X</b> AE 2322X	KM 22	MB 22	-	-	UK 322	2,74
<b>H 2324</b> HA 2324	<b>110</b> 47/16	112 4,4094	22 0,8661	155 6,1024	<b>A 2324X</b> AA 2324X	KM 24	MB 24	-	-	UK 324	3,20
<b>H 2326</b> HE 2326	<b>115</b> 4½	121 4,7638	23 0,9055	165 6,4961	<b>A 2326X</b> AE 2326X	KM 26	MB 26	-	-	UK 326	4,60
<b>H 2328</b> HA 2328 HE 2328	<b>125</b> 415/16 51/8	131 5,1575	24 0,9449	180 7,0866	<b>A 2328X</b> AA 2328X AE 2328X	KM 28	MB 28	-	-	UK 328	5,52

DOWNLOAD OUR CATALOG - SCARICA IL NOSTRO CATALOGO

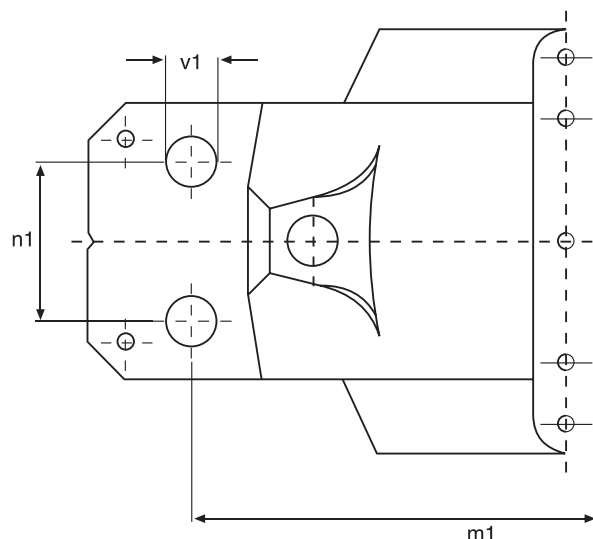
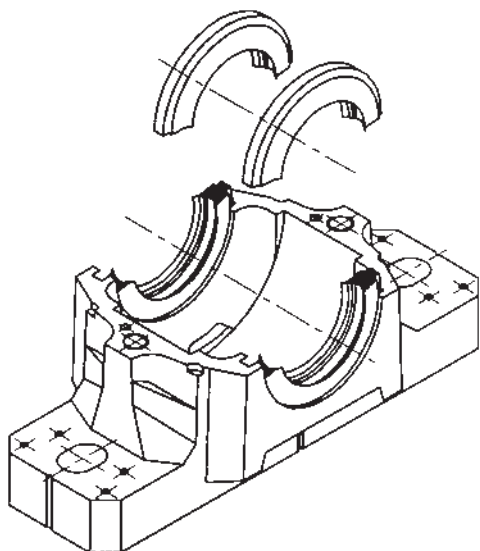


ООО "Технодрайв" тел.: 8(863) 223-20-99

email: info@technodrive.net

http://technodrive.pro

**PLUMMER BLOCKS  
SUPPORTI "SNG"**



**TENUTE "TSNG" SIA PER ALBERI METRICI CHE IN POLLICI**  
"TSNG" SEALS FIT BOTH METRIC & INCHES SHAFTS

**DISPONIBILE PER MONTAGGIO A QUATTRO-FORI**  
AVAILABLE FOR FOUR-BOLT MOUNTING

Tipo Type	m1	n1	v1	Bull. fiss. Bolt Size	Tenuta Seal	Diametro albero Shaft diameter		Tenuta Seal	Diametro albero Shaft diameter			
						mm	inch		mm	inch		
SNG 507-606D	-	-	-	-	TSNG 507	30	1 1/8	13/16	TSNG 607	30	1 1/8	13/16
SNG 508-607D	160	34	11	M10	TSNG 508	35	15/16	13/8	TSNG 608	35	15/16	13/8
SNG 509D	160	34	11	M10	TSNG 509	40	1 1/2	19/16	TSNG 609	40	1 1/2	19/16
SNG 510-608D	160	34	11	M10	TSNG 510	45	1 11/16	1 3/4	TSNG 610	45	1 11/16	1 3/4
SNG 511-609D	200	40	14	M12	TSNG 511	50	1 15/16	2	TSNG 611	50	1 15/16	2
SNG 512-610D	200	40	14	M12	TSNG 512	55	2 1/8	23/16	TSNG 612	55	2 1/8	23/16
SNG 513-611D	220	48	14	M12	TSNG 513	60	2 3/4	25/16	TSNG 613	60	2 3/4	25/16
SNG 515-612D	220	48	14	M12	TSNG 515	65	2 7/16	2 1/2	TSNG 615	65	2 7/16	2 1/2
SNG 516-613D	252	52	18	M16	TSNG 516	70	2 11/16	2 3/4	TSNG 616	70	2 11/16	2 3/4
SNG 517D	252	52	18	M16	TSNG 517	75	2 15/16	3	TSNG 617	75	2 15/16	3
SNG 518-615D	280	58	18	M16	TSNG 518	80	3 3/16	3 3/4	TSNG 618	80	3 3/16	3 3/4
SNG 519-616D	280	58	18	M16	TSNG 519	85	3 5/16	33/8	TSNG 619	85	3 5/16	33/8
SNG 520-617D	300	66	18	M16	TSNG 520	90	3 7/16	3 1/2	TSNG 620	90	3 7/16	3 1/2
SNG 522-619D	320	74	18	M16	TSNG 522	100	3 15/16	4	-	-	-	-
SNG 524-620D	330	74	18	M16	TSNG 524	110	4 3/16	4 1/4	-	-	-	-
SNG 526D	370	80	22	M20	TSNG 526	115	4 7/16	4 1/2	-	-	-	-
SNG 528D	400	92	26	M24	TSNG 528	125	4 15/16	5	-	-	-	-
SNG 530D	430	100	26	M24	TSNG 530	135	5 3/16	5 1/4	-	-	-	-
SNG 532D	450	100	26	M24	TSNG 532	140	5 7/16	5 1/2	-	-	-	-

DOWNLOAD OUR CATALOG - SCARICA IL NOSTRO CATALOGO



ООО "Технодрайв" тел.: 8(863) 223-20-99

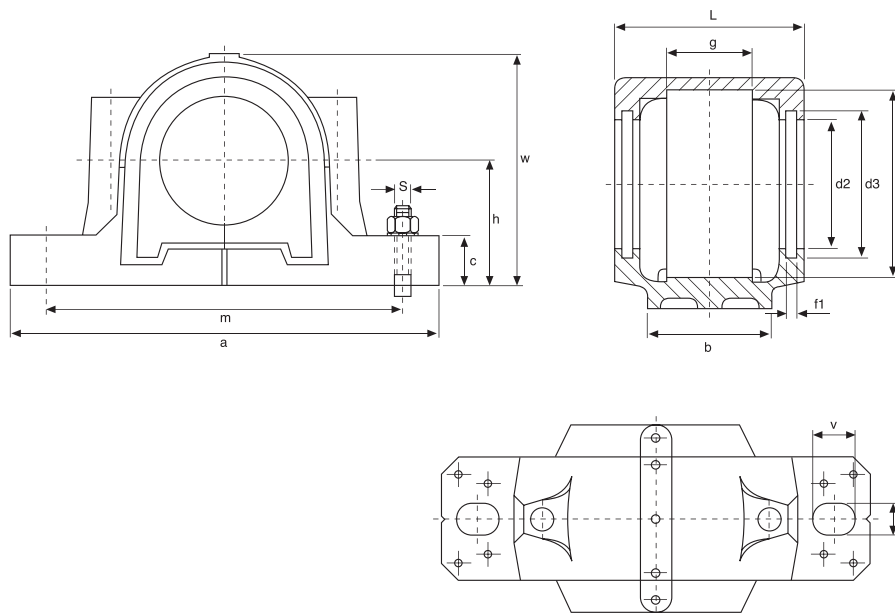
email: info@technodrive.net

http://technodrive.pro





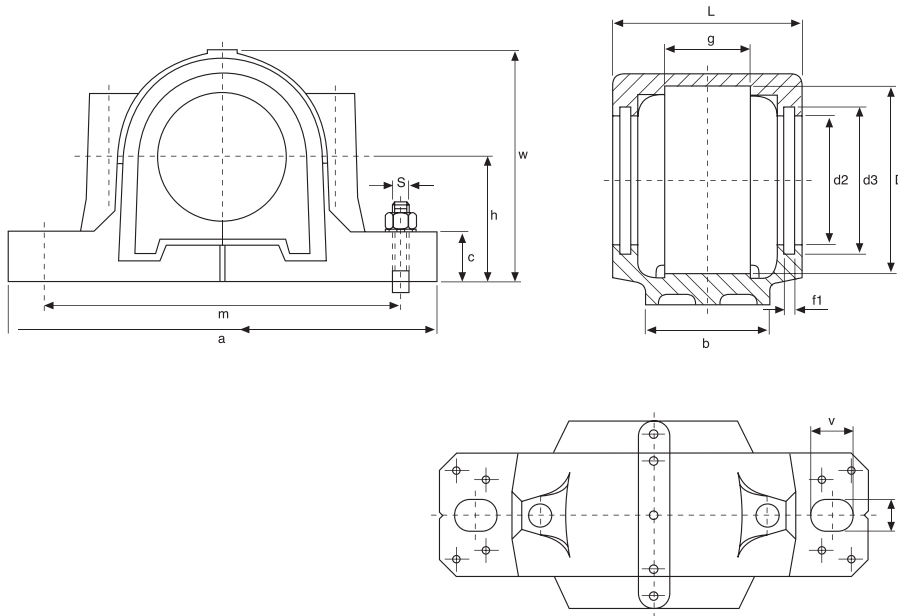
# PLUMMER BLOCKS SUPPORTI RITTI IN DUE METÀ



Tipo Type	Diametro albero Shaft diameter		Dimensioni - Dimensions													Bull. fiss. Bolt Size		
			D H8	a	b	c	g H12	h	L	w	m	U	V	d2 H12	d3 H12	f1	S	
	mm	inch	mm/inch															
SNG 505	20	¾	52	165	46	19	25	40	67	71	130	13	20	31,5	39,5	5	M8x35	
SNG 506-605	25	15/16	1	62	185	52	22	32	50	77	87	150	13	22	36,5	44,5	5	M8x40
SNG 507-606	30	11/8	13/16	72	185	52	22	34	50	82	92	150	15	20	46,5	54,5	5	M10x45
SNG 508-607	35	15/16	13/8	80	205	60	25	39	60	85	106	170	15	20	51,5	59,5	5	M10x45
SNG 509	40	1½	19/16	85	205	60	25	30	60	85	109	170	15	20	56,5	64,5	5	M10x50
SNG 510-608	45	111/16	1¾	90	205	60	25	41	60	90	112	170	15	20	62	70,5	5	M10x50
SNG 511-609	50	115/16	2	100	255	70	28	44	70	95	127	210	18	23	67	75,5	5	M12x60
SNG 512-610	55	21/8	23/16	110	255	70	30	48	70	105	133	210	18	23	72	80,5	5	M12x60
SNG 513-611	60	2¼	25/16	120	275	80	30	51	80	110	148	230	18	24	77	85,5	5	M12x60
SNG 515-612	65	27/16	2½	130	280	80	30	56	80	115	154	230	18	26	87	95,5	5	M12x70
SNG 516-613	70	211/16	2¾	140	315	90	32	58	95	120	175	260	22	29	92,5	101	5	M16x80
SNG 517	75	215/16	3	150	320	90	32	61	95	125	181	260	22	30	97,5	106	5	M16x80
SNG 518-615	80	33/16	3¼	160	345	100	35	65	100	140	192	290	22	27	102,5	111	5	M16x80
SNG 519-616	85	35/16	33/8	170	345	100	35	68	112	145	209	290	22	27	131	141	6	M16x90
SNG 520-617	90	37/16	3½	180	380	110	40	70	112	160	215	320	26	32	137,5	147,5	6	M20x90
SNG 522-619	100	315/16	4	200	410	120	45	80	125	175	239	350	26	32	147,5	157,5	6	M20x100
SNG 524-620	110	43/16	4¼	215	410	120	45	86	140	185	271	350	26	32	157,5	167,5	6	M20x110
SNG 526	115	47/16	4½	230	445	130	50	90	150	190	290	380	28	35	167,5	177,5	6	M24x120
SNG 528	125	415/16	5	250	500	150	50	98	150	205	302	420	35	42	177,5	187,5	6	M24x130
SNG 530	135	53/16	5¼	270	530	160	60	106	160	220	323	450	35	42	192,5	202,5	6	M24x130
SNG 532	140	57/16	5½	290	550	160	60	114	170	235	344	470	35	42	202,5	212,5	6	M24x130



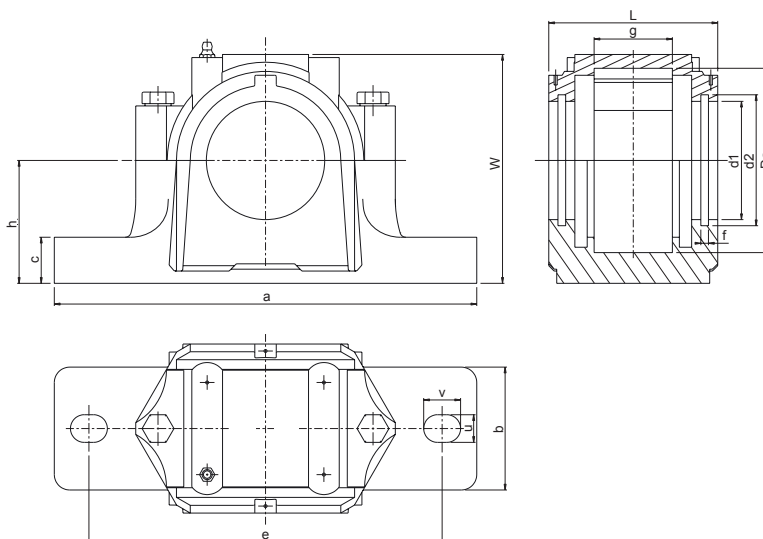
# PLUMMER BLOCKS SUPPORTI RITTI IN DUE METÀ



Tipo Type	Diametro albero Shaft diameter			Dimensioni - Dimensions													Bull. fiss. Bolt Size	
				D H8	a	b	c	g H12	h	L	w	m	U	V	d2 H12	d3 H12	f1	S
	mm	inch		mm/inch														
SNG 508-607	30	1 1/8	13/16	80	205	60	25	39	60	85	106	170	15	20	51,5	59,5	5	M10x45
SNG 510-608	35	15/16	13/8	90	205	60	25	41	60	90	112	170	15	20	62	70,5	5	M10x50
SNG 511-609	40	1 1/2	19/16	100	255	70	28	44	70	95	127	210	18	23	67	75,5	5	M12x60
SNG 512-610	45	1 11/16	1 3/4	110	255	70	30	48	70	105	133	210	18	23	72	80,5	5	M12x60
SNG 513-611	50	1 15/16	2	120	275	80	30	51	80	110	148	230	18	24	77	85,5	5	M12x60
SNG 515-612	55	2 1/8	23/16	130	280	80	30	56	80	115	154	230	18	26	87	95,5	5	M12x70
SNG 516-613	60	2 1/4	25/16	140	315	90	32	58	95	120	175	260	22	29	92,5	101	5	M16x80
SNG 518-615	65	27/16	2 1/2	160	345	100	35	65	100	140	192	290	22	27	102,5	111	5	M16x80
SNG 519-616	70	2 11/16	2 3/4	170	345	100	35	68	112	145	209	290	22	27	131	141	6	M16x90
SNG 520-617	75	2 15/16	3	180	380	110	40	70	112	160	215	320	26	32	137,5	147,5	6	M20x90
SNG 522-619	85	35/16	33/8	200	410	120	45	80	125	175	239	350	26	32	147,5	157,5	6	M20x100
SNG 524-620	90	37/16	3 1/2	215	410	120	45	86	140	185	271	350	26	32	157,5	167,5	6	M20x110



# PLUMMER BLOCKS SUPPORTI RITTI IN DUE METÀ



Tipo Type	Diametro albero Shaft diameter	Dimensioni - Dimensions														Bull. fiss. Bolt Size
		Da H8	a	b	c	g H12	h H12	L	w	e	v	u	d1 H12	d2 H12	f1	S
		mm	mm													
SNL505	20	52	165	46	19	25	40	67	74	130	20	15	31,5	39,5	5	M8x35
SNL506	25	62	185	52	22	32	50	77	89	150	20	15	36,5	44,5	5	M8x40
SNL507-606	30	72	185	52	22	34	50	82	93	150	20	15	46,5	54,5	5	M10x50
SNL508-607	35	80	205	60	25	39	60	85	108	170	20	15	51,5	59,5	5	M10x50
SNL509	40	85	205	60	25	30	60	85	109	170	20	15	56,5	64,5	5	M10x50
SNL510-608	45	90	205	60	25	41	60	90	113	170	20	15	62	70,5	5	M10x50
SNL511-609	50	100	255	70	28	44	70	95	128	210	24	18	67	75,5	5	M12x60
SNL512-610	55	110	255	70	30	48	70	105	134	210	24	18	72	80,5	5	M12x60
SNL513-611	60	120	275	80	30	51	80	110	149	230	24	18	77	85,5	5	M12x60
SNL515-612	65	130	280	80	30	56	80	115	155	230	24	18	87	95,5	5	M12x70
SNL516-613	70	140	315	90	32	58	95	120	177	260	28	22	92,5	101	5	M16x80
SNL517	75	150	320	90	32	61	95	125	183	260	28	22	97,5	106	5	M16x80
SNL518-615	80	160	345	100	35	65	100	140	194	290	28	22	102,5	111	5	M16x80
SNL519-616	85	170	345	100	35	68	112	145	212	290	28	22	131	141	6	M16x90
SNL520-617	90	180	380	110	40	70	112	160	218	320	32	26	137,5	147,5	6	M20x90
SNL522-619	100	200	410	120	45	80	125	175	242	350	32	26	147,5	157,5	6	M20x100
SNL524-620	110	215	410	120	45	86	140	185	271	350	32	26	157,5	167,5	6	M20x110
SNL526	115	230	445	130	50	90	150	190	290	380	35	28	167,5	177,5	6	M20x110
SNL528	125	250	500	150	50	98	150	205	302	420	42	35	177,5	187,5	6	M24x130
SNL530	135	270	530	160	60	106	160	220	323	450	42	35	192,5	202,5	6	M24x130
SNL532	140	290	550	160	60	114	170	235	344	470	42	35	202,5	212,5	6	M24x130

DOWNLOAD OUR CATALOG - SCARICA IL NOSTRO CATALOGO



ООО "Технодрайв" тел.: 8(863) 223-20-99

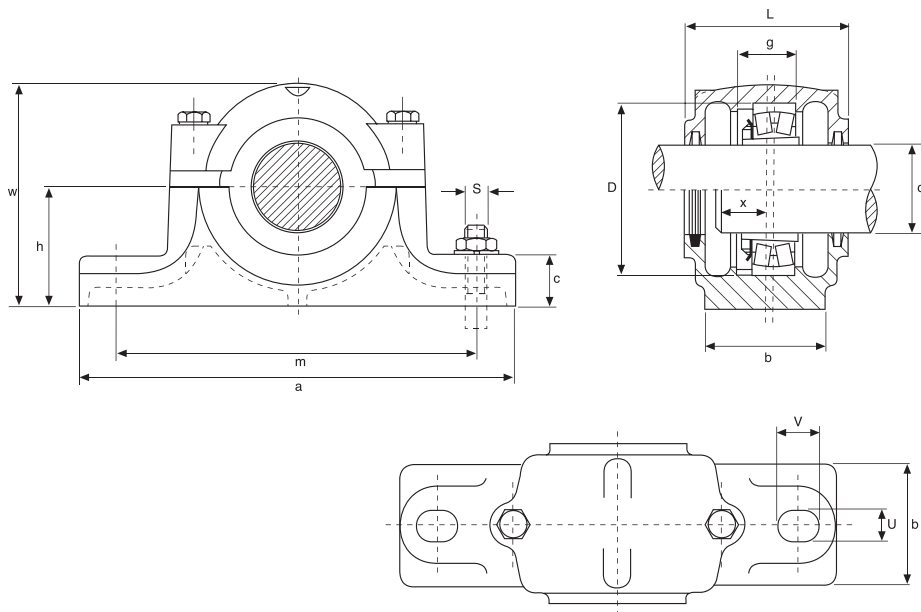
email: info@technodrive.net

http://technodrive.pro



Bearings & Components

## PLUMMER BLOCKS SUPPORTI RITTI IN DUE METÀ



Tipo Type	Diametro albero Shaft diameter		Dimensioni - Dimensions											Bull. fiss. Bolt Size
	d1		D H8	a	b	c	g H12	h h12	L ± 5	w	m	U	V	S
	mm	inch	mm/inch											
SN 506	25	1	62	185	52	22	30	50	77	90	150	15	20	M12
SN 507	30	1 1/8	72	185	52	22	33	50	82	95	150	15	20	M12
SN 508	35	1 1/4	80	205	60	25	33	60	85	110	170	15	20	M12
SN 509	40	1 1/2	85	205	60	25	31	60	85	112	170	15	20	M12
SN 510	45	1 3/4	90	205	60	25	33	60	90	115	170	15	20	M12
SN 511	50	2	100	255	70	28	33	70	95	130	210	18	23	M16
SN 512	55	2 1/8	110	255	70	30	38	70	105	135	210	18	23	M16
SN 513	60	2 1/4	120	275	80	30	43	80	110	150	230	18	23	M16
SN 515	65	2 1/2	130	280	80	30	41	80	115	155	230	18	23	M16
SN 516	70	2 3/4	140	315	90	32	43	95	120	175	260	22	27	M20
SN 517	75	3	150	320	90	32	46	95	125	185	260	22	27	M20
SN 518	80	3 1/4	160	345	100	35	62,4	100	145	195	290	22	27	M20
SN 519	85	-	170	345	100	35	53	112	140	210	290	22	27	M20
SN 520	90	3 1/2	180	380	110	40	70,3	112	160	218	320	26	32	M24
SN 522	100	4	200	410	120	45	80	125	175	240	350	26	32	M24
SN 524	110	4 1/4	215	410	120	45	86	140	185	270	350	26	32	M24
SN 526	115	4 1/2	230	445	130	50	90	150	190	290	380	28	36	M24
SN 528	125	5	250	500	150	50	98	150	205	305	420	33	42	M30
SN 530	135	5 1/4	270	530	160	60	106	160	220	325	450	33	42	M30
SN 532	140	5 1/2	290	550	160	60	114	170	235	345	470	33	42	M30

DOWNLOAD OUR CATALOG - SCARICA IL NOSTRO CATALOGO



ООО "Технодрайв" тел.: 8(863) 223-20-99

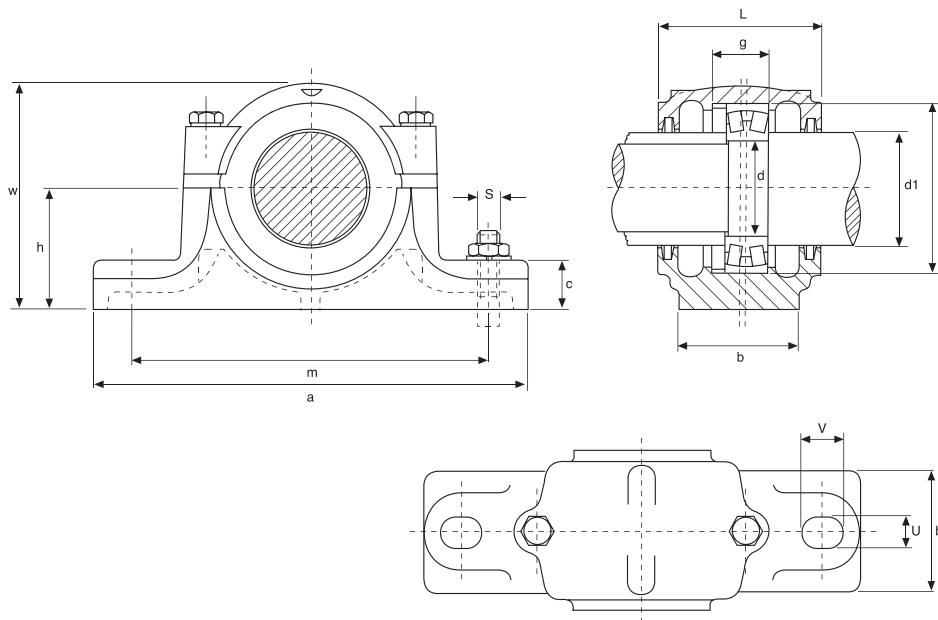
email: info@technodrive.net

http://technodrive.pro



Bearings & Components

## PLUMMER BLOCKS SUPPORTI RITTI IN DUE METÀ

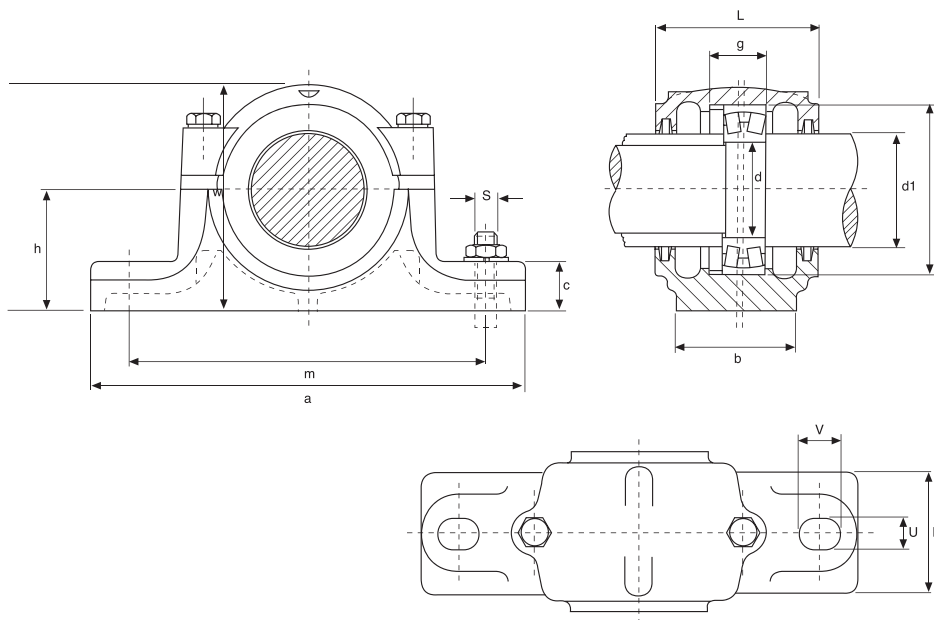


Tipo Type	Diametro albero Shaft diameter			Dimensioni - Dimensions											
	d	d0	d1	D H8	a	b	c	g H12	h h12	L $\pm 5$	w	m	n	U	V
	mm			mm											
SN 207	35	30	45	72	185	52	22	33	50	82	95	150	-	15	20
SN 208	40	35	50	80	205	60	25	33	60	85	110	170	-	15	20
SN 209	45	40	55	85	205	60	25	31	60	85	112	170	30	15	20
SN 210	50	45	60	90	205	60	25	33	60	90	115	170	30	15	20
SN 211	55	50	65	100	255	70	28	33	70	95	130	210	35	18	23
SN 212	60	55	70	110	255	70	30	38	70	105	135	210	35	18	23
SN 213	65	60	75	120	275	80	30	43	80	110	150	230	40	18	23
SN 215	75	65	85	130	280	80	30	41	80	115	155	230	40	18	23
SN 216	80	70	90	140	315	90	32	43	95	120	175	260	50	22	27
SN 217	85	75	95	150	320	90	32	46	95	125	185	260	50	22	27
SN 218	90	80	100	160	345	100	35	62,4	100	145	195	290	50	22	27
SN 220	100	90	115	180	380	110	40	70,3	112	160	218	320	60	26	32
SN 222	110	100	125	200	410	120	45	80	125	175	240	350	70	26	32
SN 224	120	110	135	215	410	120	45	86	140	185	270	350	70	26	32
SN 226	130	115	145	230	445	130	50	90	150	190	290	380	70	28	36
SN 228	140	125	155	250	500	150	50	98	150	205	305	420	80	33	42
SN 230	150	135	165	270	530	160	60	106	160	220	325	450	90	33	42
SN 232	160	140	175	290	550	160	60	114	170	235	345	470	90	33	42





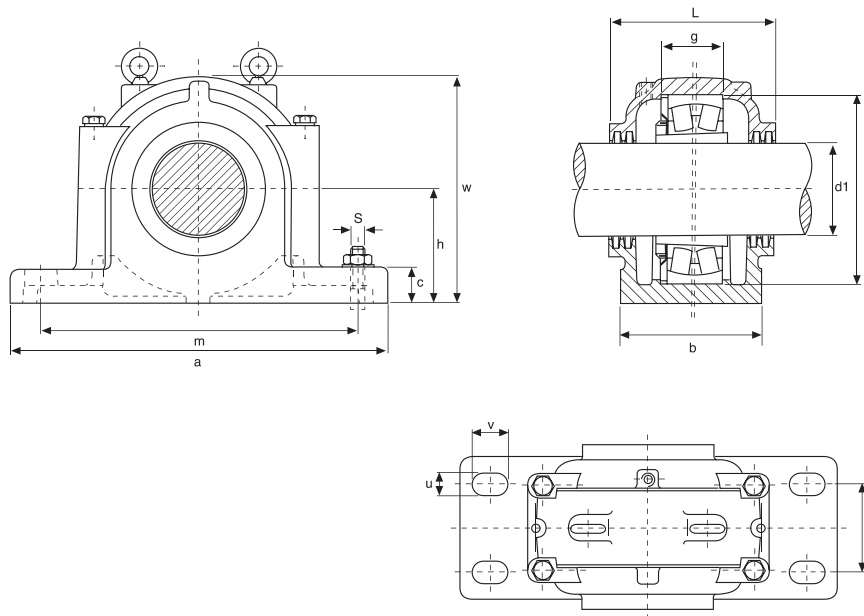
## PLUMMER BLOCKS SUPPORTI RITTI IN DUE METÀ



Tipo Type	Diametro albero Shaft diameter			Dimensioni - Dimensions											
	d	d0	d1	D H8	a	b	c	g H12	h h12	L ± 5	w	m	n	U	V
	mm			mm											
SN 307	35	30	45	80	205	60	25	41	60	90	110	170	-	15	20
SN 308	40	35	50	90	205	60	25	43	60	95	115	170	-	15	20
SN 309	45	40	55	100	255	70	28	46	70	105	130	210	-	18	23
SN 310	50	45	60	110	255	70	30	50	70	115	135	210	-	18	23
SN 311	55	50	65	120	275	80	30	53	80	120	150	230	40	18	23
SN 312	60	55	70	130	280	80	30	56	80	125	155	230	40	18	23
SN 313	65	60	75	140	315	90	32	58	95	130	175	260	50	22	27
SN 315	75	65	85	160	345	100	35	65	100	140	195	290	50	22	27
SN 316	80	70	90	170	345	100	35	68	112	145	212	290	50	22	27
SN 317	85	75	95	180	380	110	40	70	112	155	218	320	60	26	32
SN 318	90	80	100	190	400	110	33	74	112	160	230	320	60	26	35
SN 319	95	85	110	200	420	120	36	77	125	170	245	350	70	26	35
SN 320	100	90	115	215	420	120	38	83	140	175	280	350	70	26	35
SN 322	110	100	125	240	460	130	40	90	150	190	300	390	70	28	38
SN 324	120	110	135	260	540	160	50	96	160	205	325	450	90	33	42
SN 326	130	115	150	280	560	160	50	103	170	215	350	470	90	33	42
SN 328	140	125	160	300	630	170	55	112	180	235	375	520	90	35	45
SN 330	150	135	170	320	680	180	55	118	190	245	395	560	90	35	45
SN 332	160	140	180	340	710	190	60	124	200	255	415	580	100	42	52



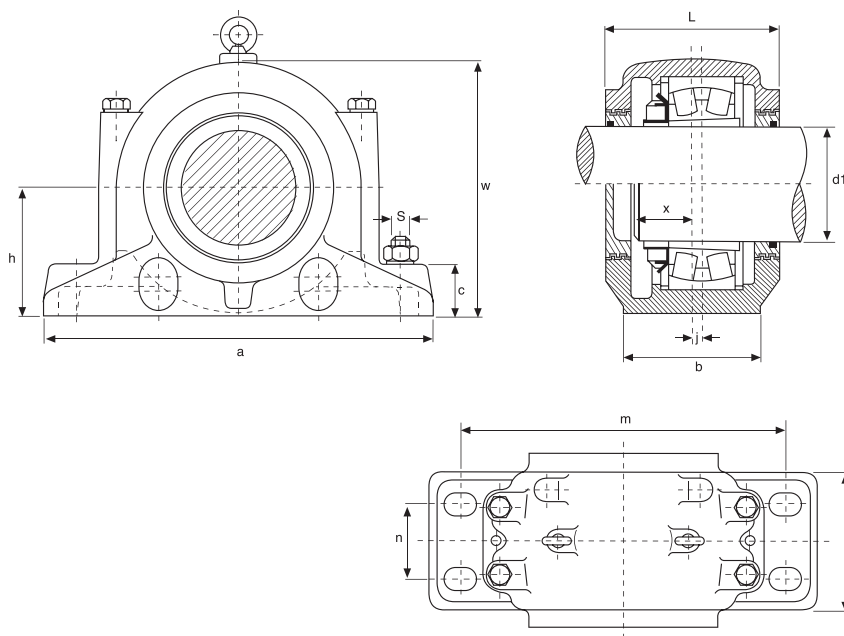
**PLUMMER BLOCKS  
SUPPORTI RITTI IN DUE METÀ**



Tipo Type	Diametro albero Shaft diameter	Dimensioni - Dimensions											
	d1	D H8	a	b	c	g H12	h h12	L ± 5	w	m	n	U	V
	mm	mm											
SD 3034	150	260	540	200	50	77	160	230	320	450	110	36	52
SD 3036	160	280	560	220	50	84	170	250	340	470	120	36	52
SD 3038	170	290	560	220	50	85	170	250	345	470	120	36	52
SD 3040	180	310	620	230	60	92	180	270	360	510	140	36	52
SD 3044	200	340	700	260	65	100	200	290	400	570	160	36	55
SD 3048	220	360	740	270	65	102	210	300	420	610	170	36	55
SD 3052	240	400	820	300	70	114	240	330	475	680	190	43	62
SD 3056	260	420	860	320	85	116	250	350	500	710	200	43	62
SD 3060	280	460	920	330	85	128	280	360	550	770	210	43	62
SD 3064	300	480	940	340	85	131	280	370	560	790	210	43	62
SD 3068	320	520	1020	370	100	143	310	400	615	860	230	50	70
SD 3072	340	540	1060	390	100	144	325	410	640	890	250	50	70
SD 3076	360	560	1080	390	100	145	340	410	665	900	260	50	70



# PLUMMER BLOCKS SUPPORTI RITTI IN DUE METÀ



Tipo Type	Diametro albero Shaft diameter		Dimensioni - Dimensions												
	d1		D H8	a	b	c	g H12	h h12	L ± 5	L2	w	m	n	U	U
	mm	inch	mm												
SD 3134	150	6	280	510	180	70	108	170	230	308	335	430	100	30	36
SD 3136	160	6½	300	530	190	75	116	180	240	318	355	450	110	30	36
SD 3138	170	6¾	320	560	210	80	124	190	260	336	375	480	120	30	38
SD 3140	180	7	340	610	230	85	132	210	280	356	410	510	130	35	40
SD 3144	200	-	370	640	240	90	140	220	290	368	435	540	140	35	40
SD 3148	220	-	400	700	260	95	148	240	310	388	475	600	150	35	40
SD 3152	240	-	440	770	280	100	164	260	320	400	515	650	160	40	48
SD 3156	260	-	460	790	280	105	166	280	320	400	550	670	160	42	50
SD 3160	280	-	500	830	310	110	180	300	350	426	590	710	190	42	60
SD 3164	300	-	540	880	330	115	196	320	370	448	630	750	200	42	60
SD 3168	320	-	580	965	380	120	210	340	390	488	670	840	240	49	59
SD 3172	340	-	600	1040	390	130	212	360	390	498	720	890	255	49	59
SD 3176	360	-	620	1120	400	135	214	380	405	520	750	980	255	60	72
SD 3180	380	-	650	1245	420	140	220	400	425	543	790	1050	270	65	78

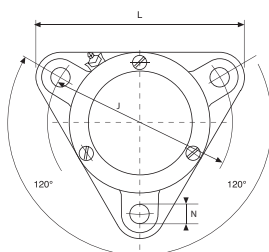
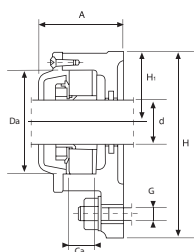




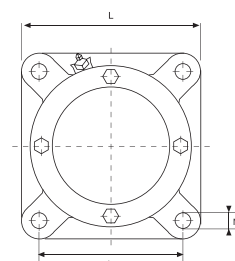
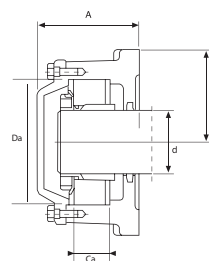


Bearings & Components

# HOUSINGS SUPPORTI FLANGIATI



DB coperchio aperto - Open cover



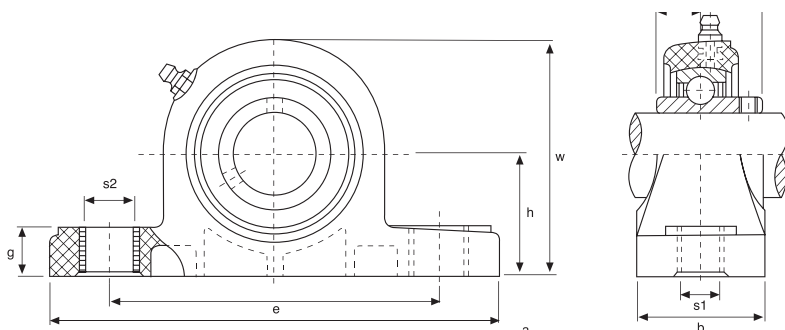
DA coperchio chiuso - Closed cover

Tipo Type	Dimensioni - Dimensions										Peso Weight kg	Cuscinetti appropriati - Suitable bearings		Forma flangia Flange
	d	A	L	H	H <sub>1</sub>	N	J	Da	Ca	G		Cuscinetti orientabile a sfere Self-aligning ball bearings	Anello d'arresto Locating ring	
	mm											Cuscinetti orientabile a rulli Cylindrical roller bearings		
722505 DA	20	51,5	110	100	38	11,5	96	52	20	10	1,10	1205 K 2205 K	SR52x5	▲
722505 DB	20	56,5	110	100	38	11,5	96	52	20	10	1,10	1205 K 2205 K	SR52x5	▲
722506 DA	25	57	130	117	44	11,5	116	62	22	10	1,50	1206 K 2206 K	SR62x6	▲
722506 DB	25	59,5	130	117	44	11,5	116	62	22	10	1,50	1206 K 2206 K	SR62x6	▲
722507 DA	30	59,5	145	129,5	48,5	14	130	72	25	12	1,80	1207 K 2207 K	SR72x8	▲
722507 DB	30	63,5	145	129,5	48,5	14	130	72	25	12	1,80	1207 K 2207 K	SR72x8	▲
722508 DA	35	64	160	143	54	14	140	80	25	12	2,30	1208 K 2208 K	SR80x7	▲
722508 DB	35	65,5	160	143	54	14	140	80	25	12	2,30	1208 K 2208 K	SR80x7	▲
722509 DA	40	64,5	180	160	60	14	160	85	25	12	3,0	1209 K 2209 K	SR85x6	▲
722509 DB	40	69,5	180	160	60	14	160	85	25	12	3,0	1209 K 2209 K	SR85x6	▲
722510 DA	45	68,5	180	160	60	14	160	90	25	12	3,0	1210 K 2210 K	SR90x5	▲
722510 DB	45	73	180	160	60	14	160	90	25	12	3,0	1210 K 2210 K	SR90x5	▲
722511 DA	50	75,5	192	172,5	65	14	170	100	27	12	4,10	1211 K 2211 K	SR100x6	▲
722511 DB	50	81,5	192	172,5	65	14	170	100	27	12	4,10	1211 K 2211 K	SR100x6	▲
722512 DA	55	77	210	189	72	14	180	110	30	12	4,80	1212 K 2212 K	SR110x8	▲
722512 DB	55	82	210	189	72	14	180	110	30	12	4,80	1212 K 2212 K	SR110x8	▲
722513 DA	60	80	225	203	78	14	190	120	33	12	5,90	1213 K 2213 K	SR120x10	▲
722513 DB	60	86	225	203	78	14	190	120	33	12	5,90	1213 K 2213 K	SR120x10	▲
722515 A	65	104	190	190	95	18	152	130	41	16	9,40	1215 K 2215 K	SR130x8	■
722515 B	65	104	190	190	95	18	152	130	41	16	9,40	1215 K 2215 K	SR130x10	■
722516 A	70	110	196	196	98	18	152	140	43	16	9,80	1216 K 2216 K	SR140x8,5	■
722516 B	70	110	196	196	98	18	152	140	43	16	9,80	1216 K 2216 K	SR140x10	■
722517 A	75	114	210	210	105	18	170	150	46	16	11,5	1217 K 2217 K	SR150x9	■
722517 B	75	114	210	210	105	18	170	150	46	16	11,5	1217 K 2217 K	SR150x10	■
722518 A	80	118	210	210	105	18	170	160	50	16	12,5	1218 K 2218 K	SR160x10	■
722518 B	80	118	210	210	105	18	170	160	50	16	12,5	1218 K 2218 K	SR160x10	■
722520 A	90	127	250	250	125	22	198	180	56	20	18,0	1220 K 2220 K	SR180x11	■
722520 B	90	127	250	250	125	22	198	180	56	20	18,0	1220 K 2220 K	SR180x11	■
722522 A	100	137	270	270	135	22	219	200	63	20	21,5	1222 K 2222 K	SR200x12,5	■
722522 B	100	137	270	270	135	22	219	200	63	20	21,5	1222 K 2222 K	SR200x12,5	■





# PLASTIC BEARING UNITS SUPPORTI RITTI IN PLASTICA



Tipo Type	Diametro albero Shaft diameter		Dimensioni - Dimensions										Peso Weight kg	Bull. fiss. Bolt Size	Coppia (Nm) Torque (Nm)
	mm	inch	a	h	e	b	s1	s2	g	w	Bi	n			
UCP 204	20	¾	127	33,3	95	37,5	11	14	14,2	65,5	31	12,7	0,13	M10	18
UCP 205	25	13/16 7/8 15/16 1	140,5	36,5	105	38	11	14	14,5	71	34	14,3	0,14	M10	25
UCP 206	30	11/16 11/8 13/16 1¼	163	42,9	119	46	15	18	18	84	38,1	15,9	0,24	M12	30
UCP 207	35	1¼ 15/16 13/8 17/16	168	47,6	127	48	15	18	18	94,5	42,9	17,5	0,27	M12	35
UCP 208	40	1½ 19/16	184	49,2	137	54	15	18	20	98	49,2	19	0,35	M12	45
UCP 209	45	15/8 111/16 1¾	192	54	146	54	17	20	25	106	49,2	19	0,41	M16	50
UCP 210	50	113/16 17/8 115/16 2	206	57,2	159	59	17	20	24	114	51,6	19	0,47	M16	55
UCP 211	55	2 21/16 21/8 23/16	219	63,5	171	60	17	20	23	125	55,6	22,2	0,58	M16	60
UCP 212	60	2¼ 25/16 23/8 27/16	241	69,8	184	70	17	20	26	136	65,1	25,4	0,68	M16	65

Modalità di caricamento Mode of load	Coefficienti di carico (N) - Load ratings (N)									
Tipo Type	204	205	206	207	208	209	210	211	212	
	8 800	13 700	12 650	12 750	13 100	13 360	13 850	14 540	15 270	
	7 700	10 000	10 600	10 800	11 100	11 400	11 750	11 970	12 570	
	5 000	8 100	5 750	7 500	8 500	8 950	9 550	10 027	10 530	

### Caratteristiche

- Materiale: PBT (disponibili in color bianco, nero e verde)
- Intercambiabile con supporti in ghisa
- Ingrassatori d'acciaio inox aisi 304
- Temperatura d'esercizio: da -35°C a +102°C
- Coperchio d'estremità
- Guarnizioni interne

### Characteristics

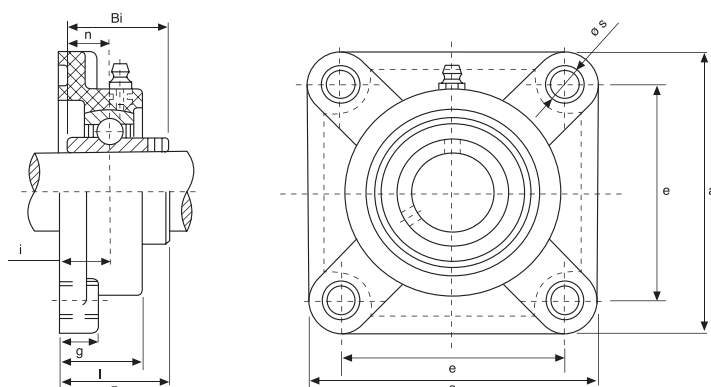
- Material: PBT (white, black and green colours available)
- Interchangeable with cast iron housing
- Stainless steel aisi 304 greasers
- Working temperature: from -35°C to +102°C
- End cover
- Back seals





Bearings & Components

## PLASTIC SQUARE BEARING UNITS SUPPORTI A FLANGIA QUADRA IN PLASTICA



Tipo Type	Diametro albero Shaft diameter		Dimensioni - Dimensions									Peso Weight kg	Bull. fiss. Bolt Size	Coppia (Nm) Torque (Nm)
			a	e	g	l	s	z	i	Bi	n			
	mm	inch	mm											
UCF 201	12	½	86	63,5	13,4	27,8	11	34,6	16,3	31	12,7	0,12	M10	18
UCF 202	15	9/16 5/8	86	63,5	13,4	27,8	11	34,6	16,3	31	12,7	0,12	M10	18
UCF 203	17	11/16	86	63,5	13,4	27,8	11	34,6	16,3	31	12,7	0,12	M10	18
UCF 204	20	¾	86	63,5	14,5	28	11	34,6	16,3	31	12,7	0,12	M10	18
UCF 205	25	13/16 7/8 15/16 1	95	70	15	29	11	36,7	17	34	14,3	0,15	M10	25
UCF 206	30	11/16 11/8 13/16 1¼	107	83	15	31,5	11	41,2	19	38,1	15,9	0,18	M10	30
UCF 207	35	1¼ 15/16 13/8 17/16	118	92	16	34,5	13	46,9	21,5	42,9	17,5	0,25	M12	35
UCF 208	40	1½ 19/16	130	102	18	36,5	14	53,2	23	49,2	19	0,36	M12	40
UCF 209	45	15/8 111/16 1¾	137	105	19	41	17	54,2	24	49,2	19	0,42	M16	45
UCF 210	50	113/16 17/8 115/16 2	143	111	21	41	17	57,6	25	51,6	19	0,49	M16	50
UCF 211	55	21/16 21/8 23/16	162	130	20	42	19	58,4	26	55,6	22,2	0,59	M16	55
UCF 212	60	2¼ 25/16 23/8 27/16	175	142	23	45	19	68,7	27	65,1	25,1	0,71	M16	60

Modalità di caricamento Mode of load	Coefficienti di carico (N) - Load ratings (N)									
Tipo Type	204	205	206	207	208	209	210	211	212	
	15 950	13 000	18 000	18 500	19 100	19 350	19 650	20 630	21 660	
	10 250	12 150	17 700	18 500	19 250	19 350	19 620	20 600	21 630	
	3 650	3 350	3 350	3 520	3 790	3 850	3 990	4 190	4 400	

### Caratteristiche

- Materiale: PBT (disponibili in color bianco, nero e verde)
- Intercambiabile con supporti in ghisa
- Ingrassatori d'acciaio inox aisi 304
- Temperatura d'esercizio: da -35°C a +102°C
- Coperchio d'estremità
- Guarnizioni interne

### Characteristics

- Material: PBT (white, black and green colours available)
- Interchangeable with cast iron housing
- Stainless steel aisi 304 greasers
- Working temperature: from -35°C to +102°C
- End cover
- Back seals

DOWNLOAD OUR CATALOG - SCARICA IL NOSTRO CATALOGO



ООО "Технодрайв" тел.: 8(863) 223-20-99

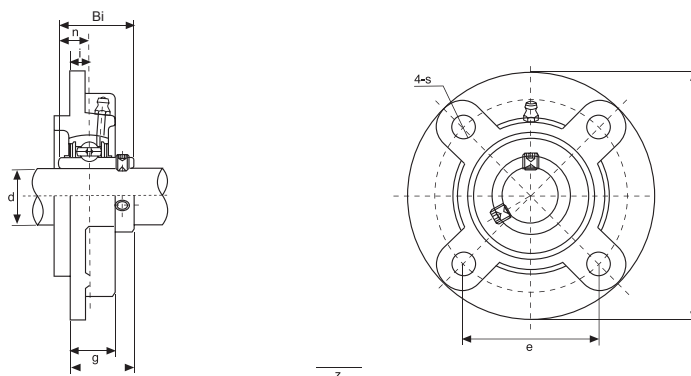
email: info@technodrive.net

http://technodrive.pro



Bearings & Components

# PLASTIC CARTRIDGE BEARING UNITS SUPPORTI A FLANGIA TONDA IN PLASTICA



Tipo Type	Diametro albero Shaft diameter		Dimensioni - Dimensions								Peso Weight kg	Bull. fiss. Bolt Size	Coppia (Nm) Torque (Nm)
			a	e	g	s	z	i	Bi	n			
	mm	inch	mm										
UCFC 204	20	¾	100	55,1	20,5	12	28,3	10	31	12,7	0,14	M10	18
UCFC 205	25	13/16 7/8 15/16 1	115	63,6	21	12	29,7	10	34,1	14,3	0,19	M10	25
UCFC 206	30	11/16 11/8 13/16 1¼	125	70,7	23	12	32,2	10	38,1	15,9	0,26	M10	30
UCFC 207	35	1¼ 15/16 13/8 17/16	135	77,8	26	14	36,4	11	42,9	17,5	0,36	M12	35
UCFC 208	40	1½ 19/16	145	84,8	26	14	40,2	11	49,2	19	0,40	M12	40
UCFC 209	45	15/8 111/16 1¾	160	93,3	26	16	41,2	10	49,2	19	0,58	M14	45
UCFC 210	50	113/16 17/8 115/16 2	165	97,6	28	16	42,6	10	51,6	19	0,58	M14	50
UCFC 211	55	2 21/16 21/8 23/16	185	106,1	31	19	46,4	13	55,6	22,2	-	M16	55
UCFC 212	60	2¼ 25/16 25/8 27/16	195	113,1	36	19	56,7	17	65,1	25,4	-	M16	60

Modalità di caricamento Mode of load	Coefficienti di carico (N) - Load ratings (N)									
Tipo Type	204	205	206	207	208	209	210	211	212	
	15 950	13 000	18 000	18 500	19 100	19 350	19 650	20 630	21 660	
	10 250	12 150	17 700	18 500	19 250	19 350	19 620	20 600	21 630	

### Caratteristiche

- Materiale: PBT (disponibili in color bianco, nero e verde)
- Intercambiabile con supporti in ghisa
- Ingrassatori d'acciaio inox aisi 304
- Temperatura d'esercizio: da -35°C a +102°C
- Coperchio d'estremità
- Guarnizioni interne

### Characteristics

- Material: PBT (white, black and green colours available)
- Interchangeable with cast iron housing
- Stainless steel aisi 304 greasers
- Working temperature: from -35°C to +102°C
- End cover
- Back seals

DOWNLOAD OUR CATALOG - SCARICA IL NOSTRO CATALOGO



ООО "Технодрайв" тел.: 8(863) 223-20-99

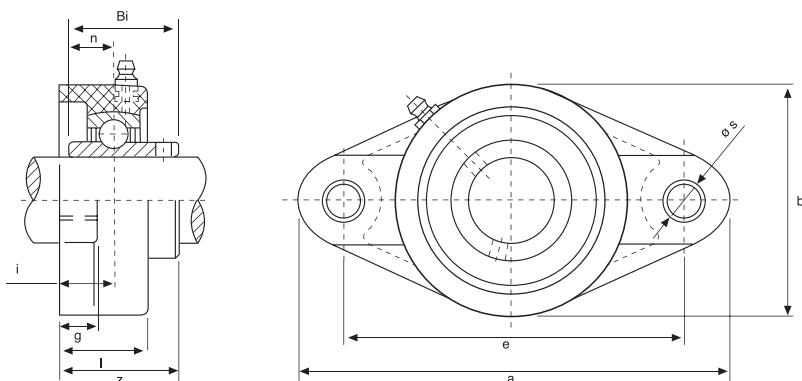
email: info@technodrive.net

http://technodrive.pro



Bearings & Components

## PLASTIC OVAL BEARING UNITS SUPPORTI A FLANGIA OVALE IN PLASTICA



Tipo Type	Diametro albero Shaft diameter		Dimensioni - Dimensions										Peso Weight	Bull. fiss. Bolt Size	Coppia (Nm) Torque (Nm)
			a	e	b	g	l	s	z	i	Bi	n			
	mm	inch	mm										kg		
UCFL 201	12	1/2	113	90	65	13,4	26,5	11	33,3	15	31	12,7	0,08	M10	18
UCFL 202	15	9/16 5/8	113	90	65	13,4	26,5	11	33,3	15	31	12,7	0,08	M10	18
UCFL 203	17	11/16	113	90	65	13,4	26,5	11	33,3	15	31	12,7	0,08	M10	18
UCFL 204	20	3/4	113	90	65	14	26,5	11	33,3	15	31	12,7	0,08	M10	18
UCFL 205	25	13/16 7/8 15/16 1	131	99	70	15	28	11	36,2	16,5	34	14,3	0,11	M10	25
UCFL 206	30	11/16 11/8 13/16 1 1/4	148	117	80	14,3	30,5	11	40,2	18	38,1	15,9	0,13	M10	30
UCFL 207	35	1 1/4 15/16 13/8 17/16	164	130	90	15,5	32	13	44,4	19	42,9	17,5	0,16	M12	35
UCFL 208	40	1 1/2 19/16	176	144	100	17	35	14	51,7	21,5	49,2	19	0,22	M12	40
UCFL 209	45	15/8 111/16 1 3/4	189	149	108	22,5	40,5	17	54,2	24	49,2	19	0,26	M16	45
UCFL 210	50	113/16 17/8 115/16 2	197	157	115	22	41	17	57,6	25	51,6	19	0,31	M16	50
UCFL 211	55	2 21/16 21/8 23/16	224	184	129	18	43	19	58,4	26	55,6	22,2	0,54	M16	55
UCFL 212	60	2 1/4 25/16 25/8 27/16	250	202	140	24	45	19	68,7	27	65,1	25,4	0,56	M16	60

Modalità di caricamento Mode of load	Coefficienti di carico (N) - Load ratings (N)									
Tipo Type	204	205	206	207	208	209	210	211	212	
	11 750	11 375	16 450	16 900	17 350	17 600	17 950	18 850	19 790	
	11 000	13 850	13 350	13 950	14 050	14 300	14 550	15 280	16 040	
	8 500	11 100	14 200	14 900	15 150	15 350	15 650	16 430	17 250	

### Caratteristiche

- Materiale: PBT (disponibili in color bianco, nero e verde)
- Intercambiabile con supporti in ghisa
- Ingrassatori d'acciaio inox aisi 304
- Temperatura d'esercizio: da -35°C a +102°C
- Coperchio d'estremità
- Guarnizioni interne

### Characteristics

- Material: PBT (white, black and green colours available)
- Interchangeable with cast iron housing
- Stainless steel aisi 304 greasers
- Working temperature: from -35°C to +102°C
- End cover
- Back seals

DOWNLOAD OUR CATALOG - SCARICA IL NOSTRO CATALOGO



ООО "Технодрайв" тел.: 8(863) 223-20-99

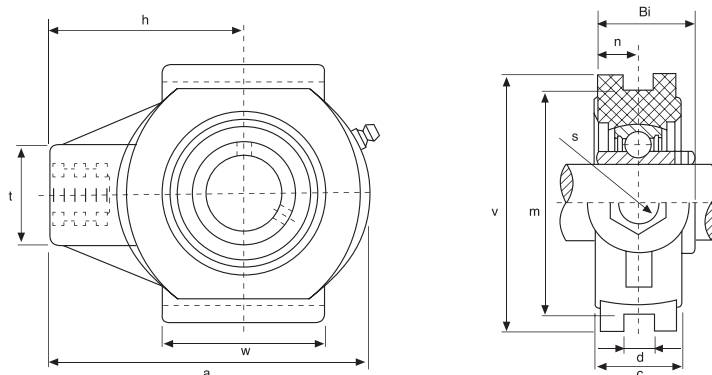
email: info@technodrive.net

http://technodrive.pro



Bearings & Components

# PLASTIC TAKE-UP UNITS SUPPORTI SCORREVOLI IN PLASTICA



Tipo Type	Diametro albero Shaft diameter		Dimensioni - Dimensions										Peso Weight	Bull. fiss. Bolt Size
			a	c	d	h	m	t	v	w	Bi	n		
	mm	inch	mm										kg	S
UCT 201	12	1/2	99	27,5	12	64	76	36	88	47	31	11,5	0,18	M16
UCT 202	15	9/16 5/8	99	27,5	12	64	76	36	88	47	31	11,5	0,18	M16
UCT 203	17	11/16	99	27,5	12	64	76	36	88	47	31	11,5	0,18	M16
UCT 204	20	3/4	99	27,5	12	64	76	36	88	47	31	11,5	0,18	M16
UCT 205	25	13/16 7/8 15/16 1	99	27,5	12	64	76	36	88	47	34,1	11,5	0,18	M16
UCT 206	30	11/16 11/8 13/16 1 1/4	125	34	12	76	89	40	102	63	38,1	15,9	0,28	M16
UCT 207	35	1 1/4 15/16 13/8 17/16	125	34	12	76	89	40	102	63	42,9	15,9	0,28	M16
UCT 208	40	1 1/2 19/16	140	40	16	85	102	40	113	80	49,2	19	0,36	M16
UCT 209	45	15/8 111/16 1 3/4	149	40	16	90	102	50	117	85	49,2	19	0,41	M20
UCT 210	50	113/16 17/8 115/16 2	149	40	16	90	102	50	117	85	51,6	19	0,47	M20
UCT 211	55	2 21/16 21/8 23/16	171	38	22	106	130	64	146	95	55,6	19	-	M20
UCT 212	60	2 1/4 25/16 23/8 27/16	194	42	22	119	130	64	146	102	65,1	21	-	M20

Modalità di caricamento Mode of load	Coefficienti di carico (N) - Load ratings (N)									
Tipo Type	204	205	206	207	208	209	210	211	212	
	14 800	15 500	15 800	16 500	17 300	18 210	18 860	19 800	20 790	
	3 930	4 530	5 100	6 500	7 800	8 710	9 750	10 240	10 750	
	8 500	10 350	10 900	11 300	12 150	12 900	13 550	14 230	14 940	
	40 770	45 300	46 100	44 100	42 800	44 230	44 880	47 120	49 470	

### Caratteristiche

- Materiale: PBT (disponibili in color bianco, nero e verde)
- Intercambiabile con supporti in ghisa
- Ingrassatori d'acciaio inox aisi 304
- Temperatura d'esercizio: da -35°C a +102°C
- Coperchio d'estremità
- Guarnizioni interne

### Characteristics

- Material: PBT (white, black and green colours available)
- Interchangeable with cast iron housing
- Stainless steel aisi 304 greasers
- Working temperature: from -35°C to +102°C
- End cover
- Back seals

DOWNLOAD OUR CATALOG - SCARICA IL NOSTRO CATALOGO



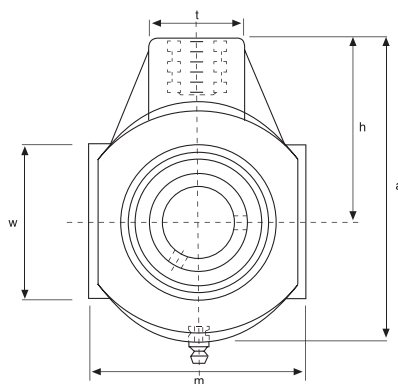
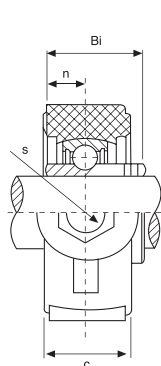
ООО "Технодрайв" тел.: 8(863) 223-20-99

email: info@technodrive.net http://technodrive.pro



Bearings & Components

## PLASTIC HANGER BEARING UNITS SUPPORTI PENSILI IN PLASTICA



Tipo Type	Diametro albero Shaft diameter		Dimensioni - Dimensions								Peso Weight	Bull. fiss. Bolt Size
			a	c	h	m	t	w	Bi	n		
	mm	inch	mm								kg	S
UCECH 201	12	1/2	99	27,5	63,5	65	36	47	31	12,7	0,18	M16
UCECH 202	15	9/16 5/8	99	27,5	63,5	65	36	47	31	12,7	0,18	M16
UCECH 203	17	11/16	99	27,5	64	65	36	47	31	12,7	0,18	M16
UCECH 204	20	3/4	99	23	64	65	36	46	31	12,7	0,18	M16
UCECH 205	25	13/16 7/8 15/16 1	99	24	63,5	74	36	47	34	14,3	0,17	M16
UCECH 206	30	11/16 11/8 13/16 1 1/4	125	27,5	76	90	40	63	38,1	15,9	0,27	M16
UCECH 207	35	1 1/4 15/16 13/8 17/16	125	28	76	90	40	63	42,9	17,5	0,28	M16
UCECH 208	40	1 1/2 19/16	140	29	85	100	40	80	49,2	19	0,36	M16
UCECH 209	45	15/8 111/16 1 1/4	149	40	90	110	50	85	49,2	19	0,41	M20
UCECH 210	50	113/16 17/8 115/16 2	149	40	90	110	50	85	51,6	19	0,47	M20
UCECH 211	55	2 21/16 21/8 23/16	171	38	106	140	64	95	55,6	22,2	-	M20
UCECH 212	60	2 1/4 25/16 23/8 27/16	194	42	119	140	64	102	65,1	25,4	-	M20

Modalità di caricamento Mode of load	Coefficienti di carico (N) - Load ratings (N)									
Tipo Type	204	205	206	207	208	209	210	211	212	
	14 800	15 500	15 800	16 500	17 300	18 210	18 860	19 800	20 790	
	3 930	4 530	5 100	6 500	7 800	8 710	9 750	10 240	10 750	
	8 500	10 350	10 900	11 300	12 150	12 900	13550	14 230	14 940	
	40 770	45 300	46 100	44 100	42 800	44 230	44 880	47 120	49 470	

### Caratteristiche

- Materiale: PBT (disponibili in color bianco, nero e verde)
- Intercambiabile con supporti in ghisa
- Ingrassatori d'acciaio inox aisi 304
- Temperatura d'esercizio: da -35°C a +102°C
- Coperchio d'estremità
- Guarnizioni interne

### Characteristics

- Material: PBT (white, black and green colours available)
- Interchangeable with cast iron housing
- Stainless steel aisi 304 greasers
- Working temperature: from -35°C to +102°C
- End cover
- Back seals

DOWNLOAD OUR CATALOG - SCARICA IL NOSTRO CATALOGO



ООО "Технодрайв" тел.: 8(863) 223-20-99

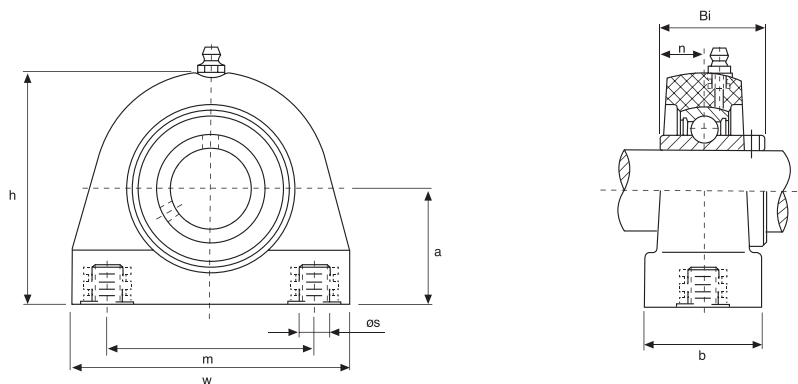
email: info@technodrive.net

http://technodrive.pro



Bearings & Components

## PLASTIC TAP BASE BEARING UNITS SUPPORTI RITTI SENZA PIEDI IN PLASTICA



Tipo Type	Diametro albero Shaft diameter		Dimensioni - Dimensions							Peso Weight	Bull. fiss. Bolt Size	Coppia (Nm) Torque (Nm)
			a	b	h	m	w	Bi	n		S	
	mm	inch	mm							kg		
UCPA 201	12	1/2	33,3	34,5	66	50,8	72,8	31	12,7	0,085	M8	18
UCPA 202	15	9/16 5/8	33,3	34,5	66	50,8	72,8	31	12,7	0,085	M8	18
UCPA 203	17	11/16	33,3	34,5	66	50,8	72,8	31	12,7	0,085	M8	18
UCPA 204	20	3/4	33,3	34,5	66	50,8	72,8	31	12,7	0,085	M8	18
UCPA 205	25	13/16 7/8 15/16 1	36,5	39,5	73,5	50,8	76,2	34,1	14,3	0,115	M10	25
UCPA 206	30	11/16 11/8 13/16 1 1/4	42,9	42	84	76,2	101	38,1	15,9	0,17	M10	30
UCPA 207	35	1 1/4 15/16 13/8 17/16	47,6	47	95	82,6	110,5	42,9	17,5	0,25	M10	35
UCPA 208	40	1 1/2 19/16	49,2	48	100,5	88,9	120	49,2	19	0,29	M12	45
UCPA 209	45	15/8 111/16 1 3/4	54	49,5	108,5	95,3	124	49,2	19	0,34	M12	50
UCPA 210	50	113/16 17/8 115/16 2	57,2	53	115	101,6	136,5	51,6	19	0,43	M16	55
UCPA 211	55	2 21/16 21/8 23/16	140	66	63,5		125	55,6	22,2	1,43	M20	60
UCPA 212	60	2 1/4 25/16 25/8 27/16	150	68	69,9		138	65,1	25,4	1,58	M20	65

Modalità di caricamento Mode of load	Coefficienti di carico (N) - Load ratings (N)									
Tipo Type	204	205	206	207	208	209	210	211	212	
	8 210	8 540	10 370	12 150	12 230	12 900	13 850	14 540	15 270	
	6 900	7 010	6 580	8 080	9 100	10 400	11 050	11 600	12 180	
	2 980	2 850	4 950	8 160	9 800	10 710	11 360	11 930	12 530	

### Caratteristiche

- Materiale: PBT (disponibili in color bianco, nero e verde)
- Intercambiabile con supporti in ghisa
- Ingrassatori d'acciaio inox aisi 304
- Temperatura d'esercizio: da -35°C a +102°C
- Coperchio d'estremità
- Guarnizioni interne

### Characteristics

- Material: PBT (white, black and green colours available)
- Interchangeable with cast iron housing
- Stainless steel aisi 304 greasers
- Working temperature: from -35°C to +102°C
- End cover
- Back seals

DOWNLOAD OUR CATALOG - SCARICA IL NOSTRO CATALOGO



ООО "Технодрайв" тел.: 8(863) 223-20-99

email: info@technodrive.net

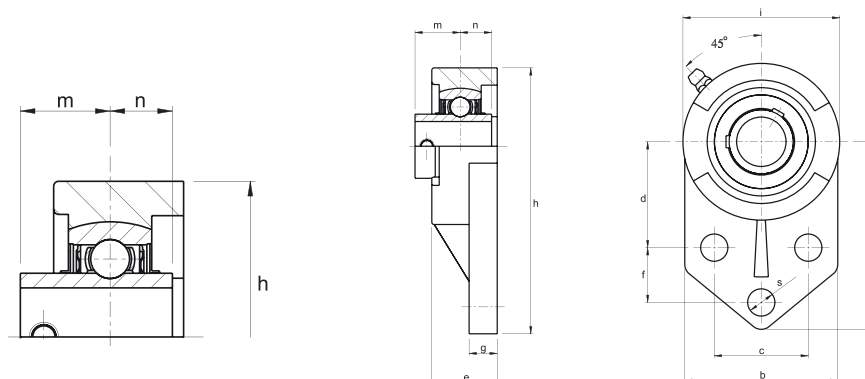
http://technodrive.pro





Bearings & Components

## PLASTIC BRACKET BEARING UNITS SUPPORTI A FLANGIA IN PLASTICA



Tipo Type	Diametro albero Shaft diameter		Dimensioni - Dimensions											Peso Weight kg	Bull. fiss. Bolt Size	Coppia (Nm) Torque (Nm)	
			a	b	c	d	e	f	g	h	i	s	m				n
	mm	inch	mm														
UCFB 201	12	1/2	76	62	38,1	42,9	26,5	22,2	11,4	108	63,5	11	18,3	12,7	0,08	M10	18
UCFB 202	15	9/16 5/8	76	62	38,1	42,9	26,5	22,2	11,4	108	63,5	11	18,3	12,7	0,08	M10	18
UCFB 203	17	11/16	76	62	38,1	42,9	26,5	22,2	11,4	108	63,5	11	18,3	12,7	0,08	M10	18
UCFB 204	20	3/4	76	62	38,1	42,9	26,5	22,2	11,4	108	63,5	11	18,3	12,7	0,08	M10	18
UCFB 205	25	13/16 7/8 15/16 1	85,7	63,5	41,3	46	28	28,6	11,4	121	70	11	19,7	14,3	0,11	M10	25
UCFB 206	30	11/16 11/8 13/16 1 1/4	95	76	47,6	52,4	32	31,8	13	138,5	83	11	22,2	15,9	0,16	M10	30
UCFB 207	35	1 1/4 15/16 13/8 17/16	108	89	50,8	60,3	36,5	31,8	16	157	95	13	25,4	17,5	0,23	M12	35
UCFB 208	40	1 1/2 19/16	114	77	50	60,3	35	41,3	16	163	100	13	30,2	19	0,30	M12	40
UCFB 209	45	1 5/8 1 11/16 1 1/4	121	80	54	65	35	43	18	174	106	17	30,2	19	0,34	M12	45
UCFB 210	50	1 13/16 1 7/8 1 15/16 2	128	86	58	68	35	46	18	184	112	17	32,6	19	0,40	M12	50
UCFB 211	55	2 21/16 21/8 23/16	-	90	62	78	43	50	18	207	130	16	33,4	22,2	-	M14	55
UCFB 212	60	2 1/4 25/16 25/8 27/16	-	94	66	84	48	55	18	223	140	16	39,7	25,4	-	M14	60

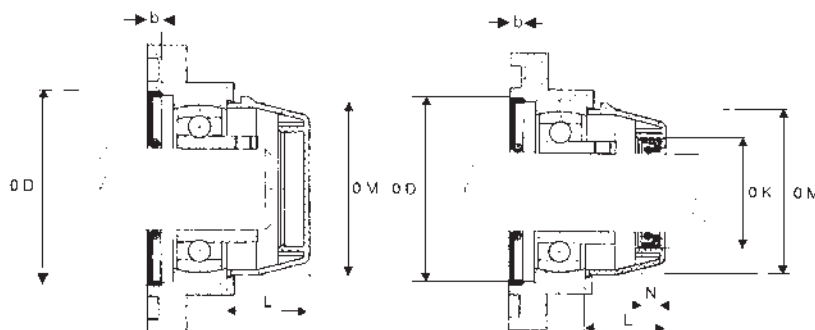
Modalità di caricamento Mode of load	Coefficienti di carico (N) - Load ratings (N)									
Tipo Type	201	202	203	204	205	206	207	211	212	
	-	-	-	7 200	9 100	12 200	12 900	13 540	14 200	
	-	-	-	9 200	11 100	11 800	11 900	12 500	13 120	
	-	-	-	2 600	2 800	2 900	3 100	3 250	3 410	



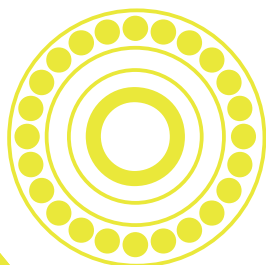
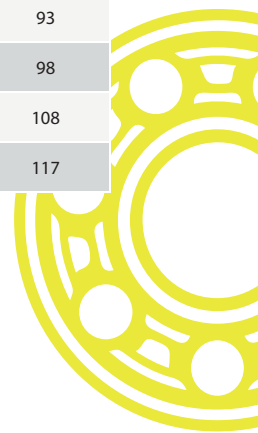


Bearings & Components

**PLASTIC COVERS WITH BACK SEALS  
COPERCHI IN PLASTICA CON GUARNIZIONI INTERNE**



Diametro albero Shaft diameter		Dimensioni - Dimensions					Guarnizione interna - Backseal		
		K	N	L	M	D	b	D	
mm	inch	mm							
12	1/2	32	7	23	50	52	6	3	52
15	9/16 5/8	32	7	23	50	52	6	3	52
17	11/16	32	7	23	50	52	6	3	52
20	3/4	32	7	23	50	52	6	3	52
25	13/16 7/8 15/16 1	37	7	25	55	62	6	3	62
30	11/16 11/8 13/16 1 1/4	42	7	30	64	72	6	3	72
35	1 1/4 15/16 13/8 17/16	47	7	32	74,5	82	6	3	82
40	1 1/2 19/16	52	7	37	84	88	6	3	88
45	15/8 111/16 1 3/4	57	7	41	89	93	6	3	93
50	113/16 17/8 115/16 2	62	7	47	94	98	6	3	98
55	2 2 1/8 2 1/8 2 3/16	66	9	56	100	106	6	3	108
60	2 1/4 2 5/16 2 3/8 2 7/16	72	9	60	114	116	6	3	117



DOWNLOAD OUR CATALOG - SCARICA IL NOSTRO CATALOGO



ООО "Технодрайв" тел.: 8(863) 223-20-99

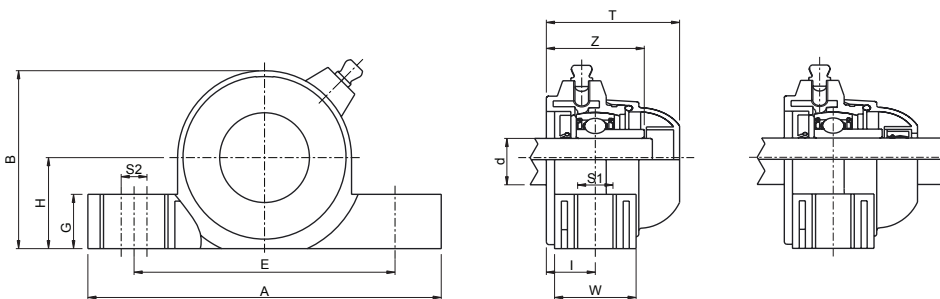
email: info@technodrive.net

http://technodrive.pro



Bearings & Components

## PLASTIC BEARING UNITS HEAVY SERIES SUPPORTI RITTI IN PLASTICA SERIE PESANTE



Tipo Type	Diametro albero Shaft diameter	Dimensioni - Dimensions											Carico cuscinetto Bearing load		Carico supporto Bearing units load
		E	A	S1	S2	G	H	B	I	W	Z	T	C (N)	C0 (N)	(N)
		mm													
SBP 204	20	96	130	13	10	20	33,5	65,5	18	30	36	49	12800	6600	5750
SBP 205	25	106	140	13	10	20	36,5	71,5	19,6	35	39	51,7	14000	7800	6900
SBP 206	30	121	163	13	10	20	43	84,5	20,7	36	41,7	55,7	19500	11300	9200
SBP 20	35	126	168	13	10	20	47,6	93,3	22,7	39	48	61,8	25500	15300	11500

### Caratteristiche

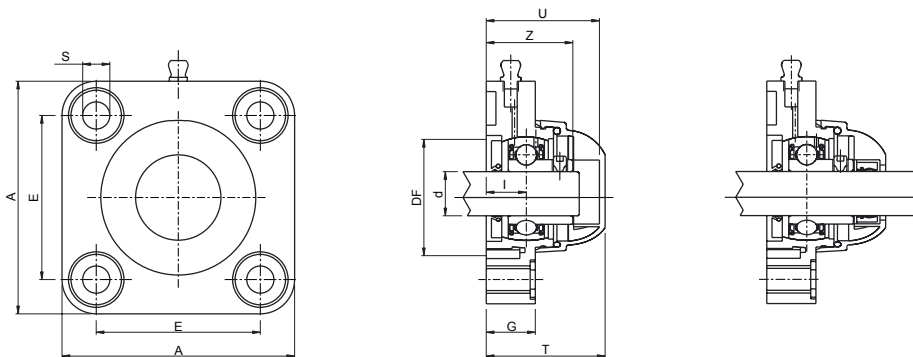
- Corpo esterno supporto in poliammide rinforzata con fibre di vetro
- Guarnizioni anteriori e posteriori a tenuta stagna NBR per alberi rotanti
- Distanziale di rinforzo fissaggi in acciaio inox AISI 304
- Guarnizione OR in gomma NBR
- Ingrassatore per la lubrificazione in ottone nichelato
- Grani di bloccaggio con sfera per una maggiore tenuta
- Fori di fissaggio intercambiabili con serie leggera

### Characteristics

- Bearing unit body made out of polyamide reinforced with glass fibers
- Front and back seals made out of NBR rubber for turning shaft seal
- Spacer for fixing reinforcement made out of stainless steel AISI 304
- OR seals made out of NBR rubber
- Greaser for relubrication made out of nickel-plated brass
- Setscrews with ball for a perfect endurance
- Interchangeable fixing holes with light series



**PLASTIC BEARING UNITS HEAVY SERIES  
SUPPORTI RITTI IN PLASTICA SERIE PESANTE**



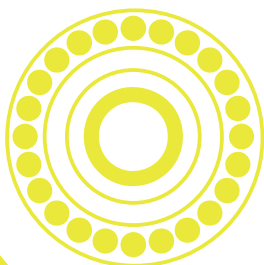
Tipo Type	Diametro albero Shaft diameter	Dimensioni - Dimensions										Carico cuscinetto Bearing load		Carico supporto Bearing units load
		E	A	S	G	I	Z	U	T	DF		C (N)	Co (N)	(N)
		mm										min	max	
<b>SBF 204</b>	<b>20</b>	63,5	90	10,5	19	15,5	33,5	44	46,5	40	45	12800	6600	16500
<b>SBF 205</b>	<b>25</b>	70	99	10,5	22	17	36	47	49	45	50	14000	7800	17000
<b>SBF 206</b>	<b>30</b>	83	113	10,5	26	20	41	54	56	50	60	19500	11300	17500
<b>SBF 207</b>	<b>35</b>	92	122	10,5	26	20	45	57	59	55	70	25500	15300	18000
<b>SBF 208</b>	<b>40</b>	102	133	10,5	26	19,5	48,5	65	68	78	65	32500	19800	18000

**Caratteristiche**

- Corpo esterno supporto in poliammide rinforzata con fibre di vetro
- Guarnizioni anteriori e posteriori a tenuta stagna NBR per alberi rotanti
- Distanziale di rinforzo fissaggi in acciaio inox AISI 304
- Guarnizione OR in gomma NBR
- Ingrassatore per la lubrificazione in ottone nichelato
- Grani di bloccaggio con sfera per una maggiore tenuta
- Fori di fissaggio intercambiabili con serie leggera

**Characteristics**

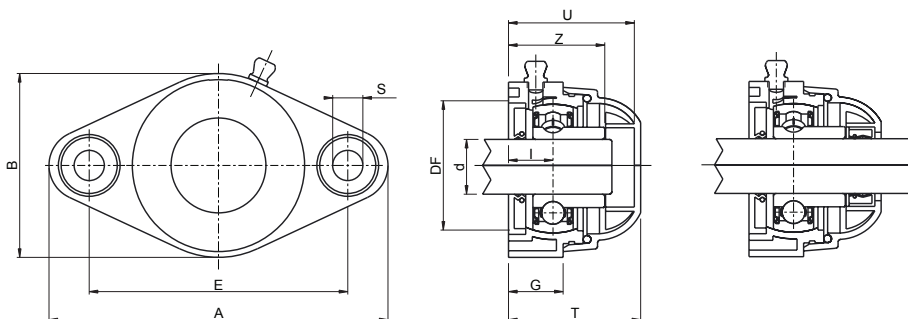
- Bearing unit body made out of polyamide reinforced with glass fibers
- Front and back seals made out of NBR rubber for turning shaft seal
- Spacer for fixing reinforcement made out of stainless steel AISI 304
- OR seals made out of NBR rubber
- Greaser for relubrication made out of nickel-plated brass
- Setscrews with ball for a perfect endurance
- Interchangeable fixing holes with light series





Bearings & Components

## PLASTIC BEARING UNITS HEAVY SERIES SUPPORTI RITTI IN PLASTICA SERIE PESANTE



Tipo Type	Diametro albero Shaft diameter	Dimensioni - Dimensions											Carico cuscinetto Bearing load		Carico supporto Bearing units load
		E	A	B	S	G	I	Z	U	T	DF		C (N)	CO (N)	(N)
		mm											min	max	
SBFL 204	20	90	118	64	10,5	19	15,5	33,5	44	46,5	40	45	12800	6600	8500
SBFL 205	25	99	131	72	10,5	22	17	36	47	49	45	50	14000	7800	10000
SBFL 206	30	117	149	86	10,5	26	20	41	54	56	50	60	19500	11300	13000
SBFL 207	35	130	163	94	10,5	26	20	45	57	59	55	70	25500	15300	14000
SBFL 208	40	144	172	100	10,5	27	19,5	48,5	65,5	71	65	78	30700	19000	15000

### Caratteristiche

- Corpo esterno supporto in poliammide rinforzata con fibre di vetro
- Guarnizioni anteriori e posteriori a tenuta stagna NBR per alberi rotanti
- Distanziale di rinforzo fissaggi in acciaio inox AISI 304
- Guarnizione OR in gomma NBR
- Ingrassatore per la lubrificazione in ottone nichelato
- Grani di bloccaggio con sfera per una maggiore tenuta
- Fori di fissaggio intercambiabili con serie leggera

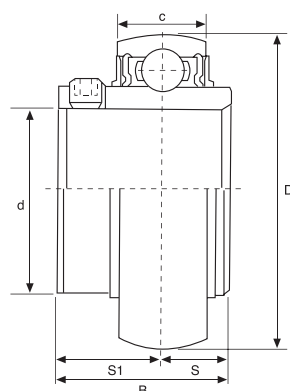
### Characteristics

- Bearing unit body made out of polyamide reinforced with glass fibers
- Front and back seals made out of NBR rubber for turning shaft seal
- Spacer for fixing reinforcement made out of stainless steel AISI 304
- OR seals made out of NBR rubber
- Greaser for relubrication made out of nickel-plated brass
- Setscrews with ball for a perfect endurance
- Interchangeable fixing holes with light series





**POLYMERIC BALL BEARINGS  
CUSCINETTI A SFERE IN MATERIALI POLIMERICI**



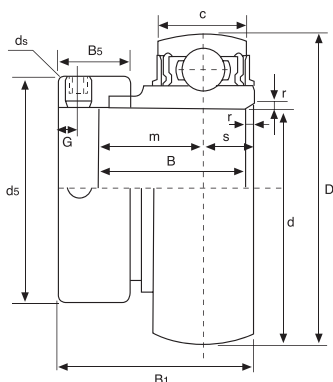
Tipo Type	Dimensioni - Dimensions						Carico Kg. cuscinetto (daN) (Kp) Rating load bearing (daN) (Kp)		Numero di giri max./min. Speed max. r.p.m.	Peso Weight kg
	d	D	B	C	S <sub>1</sub>	S	Dinamico Dynamic	Statico Static		
	mm/inch									
<b>UC 200</b>	<b>10</b>	47	31	17	18,3	12,7	42	27	1050	0,30
	¾	1,8504	1,2205	0,6693	0,720	0,500				
<b>UC 201</b>	<b>12</b>	47	31	17	18,3	12,7	42	27	1050	0,30
UC 201-8	½	1,8504	1,2205	0,6693	0,720	0,500				
<b>UC 202</b>	<b>15</b>	47	31	17	18,3	12,7	42	27	1050	0,30
UC 202-9	9/16	1,8504	1,2205	0,6693	0,720	0,500				
UC 202-10	5/8									
<b>UC 203</b>	<b>17</b>	47	31	17	18,3	12,7	42	27	1050	0,30
UC 203-11	11/16	1,8504	1,2205	0,6693	0,720	0,500				
<b>UC 204</b>	<b>20</b>	47	31	17	18,3	12,7	42	27	1050	0,30
UC 204-12	¾	1,8504	1,2205	0,6693	0,720	0,500				
<b>UC 205</b>	<b>25</b>	52	34,1	17	19,8	14,3	48	32	950	0,46
UC 205-13	13/16	2,0472	1,3425	0,6693	0,780	0,563				
UC 205-14	7/8									
UC 205-15	15/16									
UC 205-16	1									
<b>UC 206</b>	<b>30</b>	62	38,1	19	22,2	15,9	55	36	800	0,69
UC 206-17	11/16	2,4409	1,5000	0,7480	0,874	0,626				
UC 206-18	11/8									
UC 206-19	13/16									
UC 206-20	1¼									
<b>UC 207</b>	<b>35</b>	72	42,9	20	25,4	17,5	62	41	700	0,89
UC 207-20	1¼	2,8346	1,6890	0,7874	1,000	0,689				
UC 207-21	15/16									
UC 207-22	13/8									
UC 207-23	17/16									
<b>UC 208</b>	<b>40</b>	80	49,2	22	30,2	19	66	44	625	1,08
UC 208-24	1½	3,1496	1,9370	0,8661	1,189	0,748				
UC 208-25	19/16									



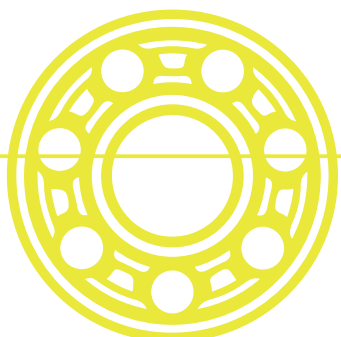


Bearings & Components

# PRE-GREASED SEALED POLYMERIC BALL BEARING 2RS CUSCINETTI A SFERE IN MATERIALI POLIMERICI, SIGILLATI PRE-LUBRIFICATI 2RS

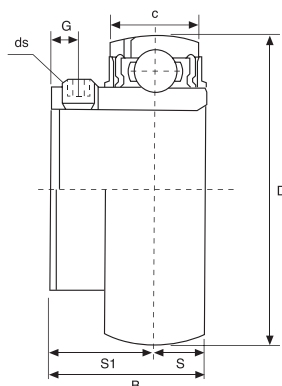


Tipo Type	Dimensioni - Dimensions												Carico Kg. cuscinetto (daN) (Kp) Rating load bearing (daN) (Kp)		Peso Weight kg
	d	c	D	B	r	s	m	B <sub>1</sub>	d <sub>s</sub>	B <sub>s</sub>	G	d <sub>s</sub>	Dinamico Dynamic	Statico Static	
	mm/inch														
<b>SA 204</b>	<b>20</b>	14	47	21,5	1,5	7	14,5	31	33,3	13,5	5	M6x0,75	60,6	37,8	0,10
SA 204-12	¾	0,5512	1,8504	0,8465	0,0591	0,2756	0,5709	1,2205	1,3110	0,5315	0,1969	-			
<b>SA 205</b>	<b>25</b>	15	52	21,5	1,5	7,5	14	31	38,1	13,5	5	M6x0,75	66	42,6	0,11
SA 205-13	13/16	0,5906	2,0472	0,8465	0,0591	0,2953	0,5512	1,2205	1,5000	0,5315	0,1969	-			
SA 205-14	7/8														
SA 205-15	15/16														
SA 205-16	1														
<b>SA 206</b>	<b>30</b>												16	62	23,8
SA 206-17	11/16	0,6299	2,4409	0,9370	0,0591	0,3150	0,6220	1,4055	1,7520	0,6260	0,2362	5/16 24 UNF			
SA 206-18	11/8														
SA 206-19	13/16														
SA 206-20	1¼														
<b>SA 207</b>	<b>35</b>												17	72	25,4
SA 207-20	1¼	0,6693	2,8346	1,000	0,0787	0,3346	0,6654	1,5315	2,1890	0,6890	0,2560	5/16 24 UNF			
SA 207-21	15/16														
SA 207-22	13/8														
SA 207-23	17/16														
<b>SA 208</b>	<b>40</b>												19	80	30,2
SA 208-24	1½	0,7480	3,1496	1,1890	0,0787	0,3740	0,8346	1,7205	2,3740	0,7205	0,2560	5/16 24 UNF			
SA 208-25	19/16														
<b>SA 209</b>	<b>45</b>												19	85	30,2
SA 209-26	15/8	0,7480	3,3465	1,1890	0,0787	0,3740	0,8150	1,7205	2,5000	0,7205	0,2560	5/16 24 UNF			
SA 209-27	111/16														
SA 209-28	1¼														
<b>SA 210</b>	<b>50</b>												20	90	30,2
SA 210-29	113/16	0,7874	3,5433	1,1890	0,0787	0,3937	0,8346	1,7205	2,7520	0,7205	0,2560	-			
SA 210-30	17/8														
SA 210-31	115/16														
SA 210-32	2														





**PRE-GREASED SEALED POLYMERIC BALL BEARING 2RS**  
**CUSCINETTI A SFERE IN MATERIALI POLIMERICI, SIGILLATI PRE-LUBRIFICATI 2RS**



Tipo Type	Dimensioni - Dimensions								Carico Kg. cuscinetto (daN) (Kp) Rating load bearing (daN) (Kp)		Peso Weight kg
	d	c	D	B	s	S <sub>1</sub>	G	ds	Dinamico Dynamic	Statico Static	
	mm/inch										
<b>SB 204</b>	<b>20</b>	14	47	25	7	18	4,5	M6x0,75	60,6	37,8	0,08
SB 204-12	¾	0,5512	1,8504	0,9843	0,2756	0,7087	0,1772	-			
<b>SB 205</b>	<b>25</b>	15	52	27	7,5	19,5	5	M6x0,75	66	42,6	0,10
SB 205-13	13/16	0,5906	2,0472	1,0630	0,2953	0,7677	0,1969	-			
SB 205-14	7/8										
SB 205-15	15/16										
SB 205-16	1										
<b>SB 206</b>	<b>30</b>								16	62	30
SB 206-17	11/16										
SB 206-18	11/8										
SB 206-19	13/16										
SB 206-20	1¼										
<b>SB 207</b>	<b>35</b>	17	72	32	8,5	23,5	6	M8x1	121,8	84	0,22
SB 207-20	1¼										
SB 207-21	15/16										
SB 207-22	13/8										
SB 207-23	17/16										
<b>SB 208</b>	<b>40</b>	19	80	34	9,5	25	8	M8x1	138	96	0,27
SB 208-24	1½										
SB 208-25	19/16										
<b>SB 209</b>	<b>45</b>	19	85	41,2	10,2	31	8	M8x1	154,2	108,6	0,48
SB 209-26	15/8										
SB 209-27	111/16										
SB 209-28	1¾										
<b>SB 210</b>	<b>50</b>	20	90	43,5	10,9	32,6	9	M10x1,25	165,6	120,6	0,52
SB 210-29	113/16										
SB 210-30	17/8										
SB 210-31	115/16										
SB 210-32	2										

