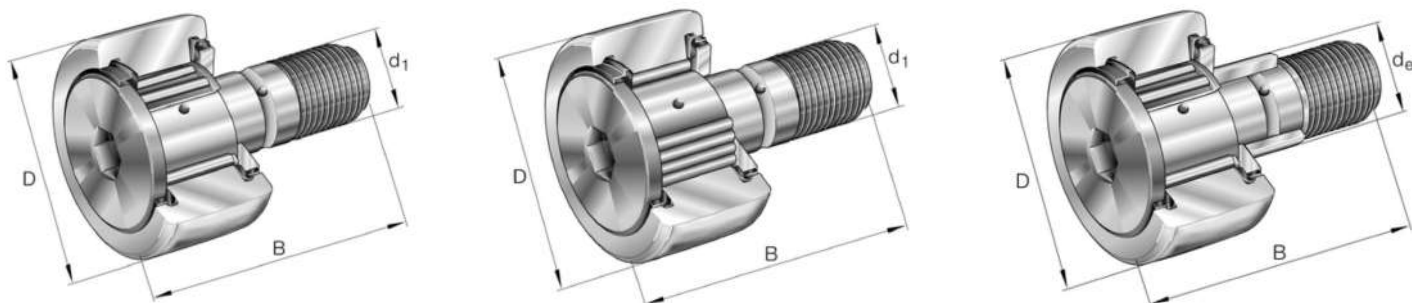




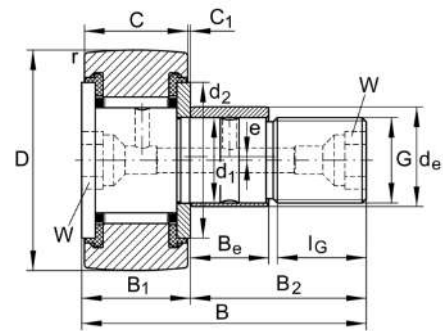
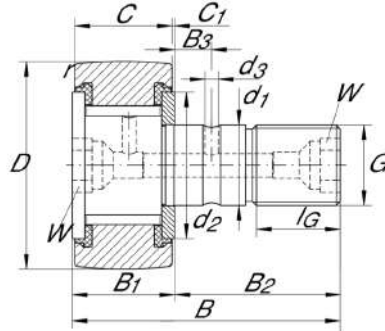
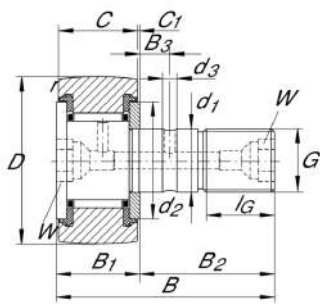
Bearings & Components

**STUD TYPE NEEDLE TRACK ROLLER (KR • KR..PP - KRV • KRV..PP - KRE • KRE..PP - KRVE • KRVE..PP)  
PERNI FOLLI A RULLINI (KR • KR..PP - KRV • KRV..PP - KRE • KRE..PP - KRVE • KRVE..PP)**

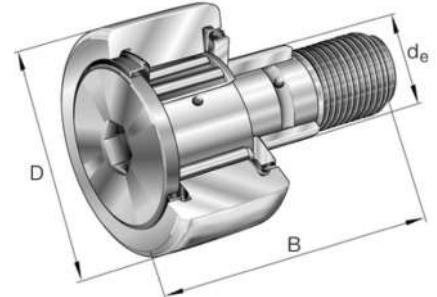
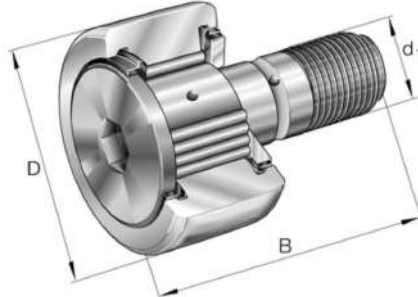
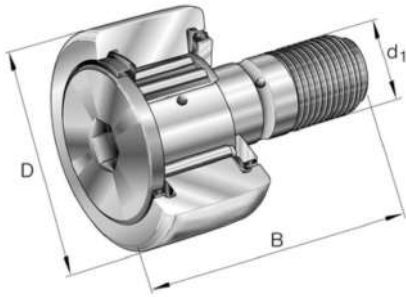


Diametro esterno (mm) Outside diameter (mm)	Sigla <sup>1)</sup> Designation				Dimensioni (mm) Dimensions (mm)										
	Senza eccentrico Without eccentric	Peso (g) Weight (g)	Con eccentrico With eccentric	Peso (g) Weight (g)	D	d <sub>1</sub> h7	B	B <sub>1</sub> max	B <sub>2</sub>	B <sub>3</sub>	C	C <sub>1</sub>	r min.	d <sub>2</sub>	d <sub>3</sub>
16	KR16	19	KRE16	20	16	6	28	12.2	16	-	11	0.6	0.15	12.5	-
	KR16-PP	18	KRE16-PP	20	16	6	28	12.2	16	-	11	0.6	0.15	12.5	-
	KRV16	18	KRVE16	22	16	6	28	12.2	16	-	11	0.6	0.15	12.5	-
	KRV16-PP	19	KRVE16-PP	22	16	6	28	12.2	16	-	11	0.6	0.15	12.5	-
19	KR19	29	KRE19	32	19	8	32	12.2	20	-	11	0.6	0.15	15	-
	KR19-PP	29	KRE19-PP	32	19	8	32	12.2	20	-	11	0.6	0.15	15	-
	KRV19	29	KRVE19	35	19	8	32	12.2	20	-	11	0.6	0.15	15	-
	KRV19-PP	31	KRVE19-PP	35	19	8	32	12.2	20	-	11	0.6	0.15	15	-
22	KR22	45	KRE22	47	22	10	36	13.2	23	-	12	0.6	0.3	17.5	-
	KR22-PP	43	KRE22-PP	47	22	10	36	13.2	23	-	12	0.6	0.3	17.5	-
	KRV22	43	KRVE22	49	22	10	36	13.2	23	-	12	0.6	0.3	17.5	-
	KRV22-PP	45	KRVE22-PP	49	22	10	36	13.2	23	-	12	0.6	0.3	17.5	-
26	KR26	59	KRE26	62	26	10	36	13.2	23	-	12	0.6	0.3	17.5	-
	KR26-PP	57	KRE26-PP	62	26	10	36	13.2	23	-	12	0.6	0.3	17.5	-
	KRV26	57	KRVE26	65	26	10	36	13.2	23	-	12	0.6	0.3	17.5	-
	KRV26-PP	59	KRVE26-PP	65	26	10	36	13.2	23	-	12	0.6	0.3	17.5	-
30	KR30	92	KRE30	93	30	12	40	15.2	25	6	14	0.6	0.6	23	3
	KR30-PP	88	KRE30-PP	93	30	12	40	15.2	25	6	14	0.6	0.6	23	3
	KRV30	88	KRVE30	94	30	12	40	15.2	25	6	14	0.6	0.6	23	3
	KRV30-PP	91	KRVE30-PP	94	30	12	40	15.2	25	6	14	0.6	0.6	23	3
32	KR32	103	KRE32	104	32	12	40	15.2	25	6	14	0.6	0.6	23	3
	KR32-PP	98	KRE32-PP	104	32	12	40	15.2	25	6	14	0.6	0.6	23	3
	KRV32	98	KRVE32	105	32	12	40	15.2	25	6	14	0.6	0.6	23	3
	KRV32-PP	101	KRVE32-PP	105	32	12	40	15.2	25	6	14	0.6	0.6	23	3
35	KR35	169	KRE35	181	35	16	52	19.6	32.5	8	18	0.8	0.6	27.6	3
	KR35-PP	169	KRE35-PP	181	35	16	52	19.6	32.5	8	18	0.8	0.6	27.6	3
	KRV35	171	KRVE35	183	35	16	52	19.6	32.5	8	18	0.8	0.6	27.6	3
	KRV35-PP	171	KRVE35-PP	183	35	16	52	19.6	32.5	8	18	0.8	0.6	27.6	3
40	KR40	247	KRE40	260	40	18	58	21.6	36.5	8	20	0.8	1	31.5	3
	KR40-PP	247	KRE40-PP	260	40	18	58	21.6	36.5	8	20	0.8	1	31.5	3
	KRV40	249	KRVE40	262	40	18	58	21.6	36.5	8	20	0.8	1	31.5	3
	KRV40-PP	249	KRVE40-PP	262	40	18	58	21.6	36.5	8	20	0.8	1	31.5	3

1) Anello esterno con superficie cilindrica: suffisso X. / Outer ring with cylindric surface: X ref.  
 2) C e C<sub>0</sub> coefficienti di carico: per utilizzo con accoppiamento con cuscinetti volventi. / C and C<sub>0</sub> load ratings: coupling with bearings.  
 3) Con lubrificazione ad olio il limite dei giri aumenta circa del 25%. / With oil lubrication, number of revolutions improves of about 25%.  
 4) Su richiesta, disponibili in acciaio inox 440C o 420C / Under request, stainless steel available 440C or 420C.



Dimensioni (mm) Dimensions (mm)							Nippli ingrassatori Grease nipples	Momento di serraggio Nut tightening torque MA Nm	Coefficients di carico <sup>2)</sup> Basic load rating <sup>2)</sup>		Carico limite di fatica Fatigue load Cuw N	Velocità limite Limiting speed Grasso -Grease <sup>3)</sup> N° giri max- N° max rpm
G	lG	W	W1	Eccentrico - Eccentric					Dinamico Dynamic Cw	Statico Static C0w		
				de h9	Be	e						
M6(X1)	8	4	-	9	7	0.5	NIP1	3	3 150	3 300	415	14 000
M6(X1)	8	4	-	9	7	0.5	NIP1	3	3 150	3 300	415	14 000
M6(X1)	8	4	-	9	7	0.5	NIP1	3	4 900	6 500	860	3 000
M6(X1)	8	4	-	9	7	0.5	NIP1	3	4 900	6 500	860	3 000
M8(X1,25)	10	4	-	11	9	0.5	NIP1	8	3 500	3 900	485	11 000
M8(X1,25)	10	4	-	11	9	0.5	NIP1	8	3 500	3 900	485	11 000
M8(X1,25)	10	4	-	11	9	0.5	NIP1	8	5 400	7 900	1 040	3 100
M8(X1,25)	10	4	-	11	9	0.5	NIP1	8	5 400	7 900	1 040	3 100
M10X1	12	5	5	13	10	0.5	NIP1X4.5	15	4 500	5 200	650	8 000
M10X1	12	5	5	13	10	0.5	NIP1X4.5	15	4 500	5 200	650	8 000
M10X1	12	5	5	13	10	0.5	NIP1X4.5	15	6 200	9 100	1 110	2 600
M10X1	12	5	5	13	10	0.5	NIP1X4.5	15	6 200	9 100	1 110	2 600
M10X1	12	5	5	13	10	0.5	NIP1X4.5	15	5 100	6 200	770	8 000
M10X1	12	5	5	13	10	0.5	NIP1X4.5	15	5 100	6 200	770	8 000
M10X1	12	5	5	13	10	0.5	NIP1X4.5	15	7 300	11 300	1 380	2 600
M10X1	12	5	5	13	10	0.5	NIP1X4.5	15	7 300	11 300	1 380	2 600
M12X1,5	13	6	6	15	11	0.5	NIP1X4.5	22	6 800	8 400	1 070	5 500
M12X1,5	13	6	6	15	11	0.5	NIP1X4.5	22	6 800	8 400	1 070	5 500
M12X1,5	13	6	6	15	11	0.5	NIP1X4.5	22	9 500	14 600	1 840	2 100
M12X1,5	13	6	6	15	11	0.5	NIP1X4.5	22	9 500	14 600	1 840	2 100
M12X1,5	13	6	6	15	11	0.5	NIP1X4.5	22	7 100	8 900	1 140	5 500
M12X1,5	13	6	6	15	11	0.5	NIP1X4.5	22	7 100	8 900	1 140	5 500
M12X1,5	13	6	6	15	11	0.5	NIP1X4.5	22	10 500	15 800	1 990	2 100
M12X1,5	13	6	6	15	11	0.5	NIP1X4.5	22	10 500	15 800	1 990	2 100
M16X1,5	17	8	8	20	14	1	NIP2X7.5	58	9 800	14 100	1 700	3 600
M16X1,5	17	8	8	20	14	1	NIP2X7.5	58	9 800	14 100	1 700	3 600
M16X1,5	17	8	8	20	14	1	NIP2X7.5	58	12 800	23 000	2 900	1 600
M16X1,5	17	8	8	20	14	1	NIP2X7.5	58	12 800	23 000	2 900	1 600
M18X1,5	19	8	8	22	16	1	NIP2X7.5	87	10 900	15 500	1 850	2 900
M18X1,5	19	8	8	22	16	1	NIP2X7.5	87	10 900	15 500	1 850	2 900
M18X1,5	19	8	8	22	16	1	NIP2X7.5	87	14 800	26 500	3 050	1 400
M18X1,5	19	8	8	22	16	1	NIP2X7.5	87	14 800	26 500	3 050	1 400



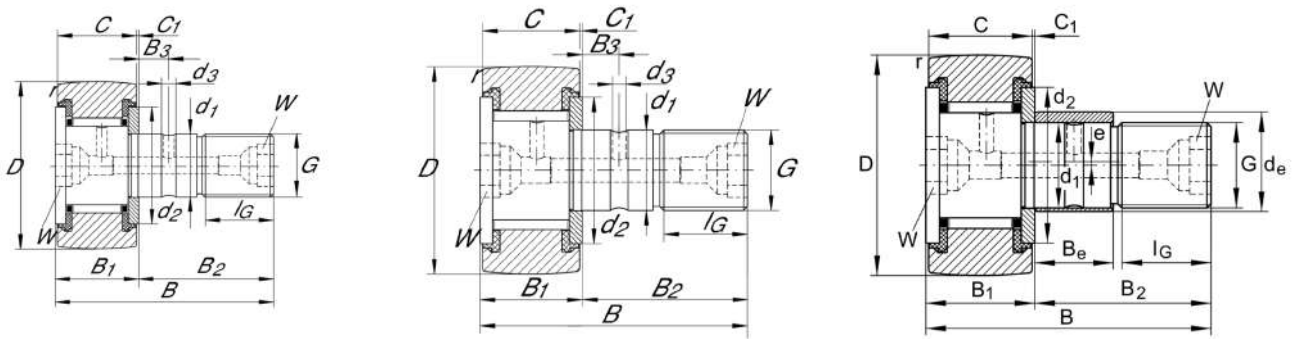
Diametro esterno (mm) Outside diameter (mm)	Sigla <sup>1)</sup> Designation				Dimensioni (mm) Dimensions (mm)										
	Senza eccentrico Without eccentric	Peso (g) Weight (g)	Con eccentrico With eccentric	Peso (g) Weight (g)	D	d <sub>1</sub> h7	B	B <sub>1</sub> max	B <sub>2</sub>	B <sub>3</sub>	C	C <sub>1</sub>	r min.	d <sub>2</sub>	d <sub>3</sub>
47	KR47	386	KRE47	400	47	20	66	25.6	40.5	9	24	0.8	1	36.5	4
	KR47-PP	386	KRE47-PP	400	47	20	66	25.6	40.5	9	24	0.8	1	36.5	4
	KRV47	390	KRVE47	409	47	20	66	25.6	40.5	9	24	0.8	1	36.5	4
	KRV47-PP	390	-	409	47	20	66	25.6	40.5	9	24	0.8	1	36.5	4
52	KR52	461	KRE52	473	52	20	66	25.6	40.5	9	24	0.8	1	36.5	4
	KR52-PP	461	KRE52-PP	473	52	20	66	25.6	40.5	9	24	0.8	1	36.5	4
	KRV52	465	KRVE52	484	52	20	66	25.6	40.5	9	24	0.8	1	36.5	4
	KRV52-PP	465	-	484	52	20	66	25.6	40.5	9	24	0.8	1	36.5	4
62	KR62	790	KRE62	798	62	24	80	30.6	49.5	11	29	0.8	1	44	4
	KR62-PP	790	KRE62-PP	798	62	24	80	30.6	49.5	11	29	0.8	1	44	4
	KRV62	802	KRVE62	830	62	24	80	30.6	49.5	11	29	0.8	1	44	4
	KRV62-PP	802	-	830	62	24	80	30.6	49.5	11	29	0.8	1	44	4
72	KR72	1 010	KRE72	1 038	72	24	80	30.6	49.5	11	29	0.8	1.1	44	4
	KR72-PP	1 010	KRE72-PP	1 038	72	24	80	30.6	49.5	11	29	0.8	1.1	44	4
	KRV72	1 045	KRVE72	1 073	72	24	80	30.6	49.5	11	29	0.8	1.1	44	4
	KRV72-PP	1 045	-	1 073	72	24	80	30.6	49.5	11	29	0.8	1.1	44	4
80	KR80	1 608	KRE80	1 665	80	30	100	37	63	15	35	1	1.1	53	4
	KR80-PP	1 608	KRE80-PP	1 665	80	30	100	37	63	15	35	1	1.1	53	4
	KRV80	1 636	KRVE80	1 900	80	30	100	37	63	15	35	1	1.1	53	4
	KRV80-PP	1 636	-	1 900	80	30	100	37	63	15	35	1	1.1	53	4
85	KR85	1 740	KRE85	2 075	85	30	100	37	63	15	35	1	1.1	53	4
	KR85-PP	1 740	KRE85-PP	2 075	85	30	100	37	63	15	35	1	1.1	53	4
90	KR90	1 950	KRE90	2 260	90	30	100	37	63	15	35	1	1.1	53	4
	KR90-PP	1 950	KRE90-PP	2 260	90	30	100	37	63	15	35	1	1.1	53	4
	KRV90	1 970	KRVE90	2 300	90	30	100	37	63	15	35	1	1.1	53	4
	KRV90-PP	1 970	-	2 300	90	30	100	37	63	15	35	1	1.1	53	4

1) Anello esterno con superficie cilindrica: suffisso X. / Outer ring with cylindric surface: X ref.

2) C e C<sub>0</sub> coefficienti di carico: per utilizzo con accoppiamento con cuscinetti volventi. / C and C<sub>0</sub> load ratings: coupling with bearings.

3) Con lubrificazione ad olio il limite dei giri aumenta circa del 25%. / With oil lubrication, number of revolutions improves of about 25%.

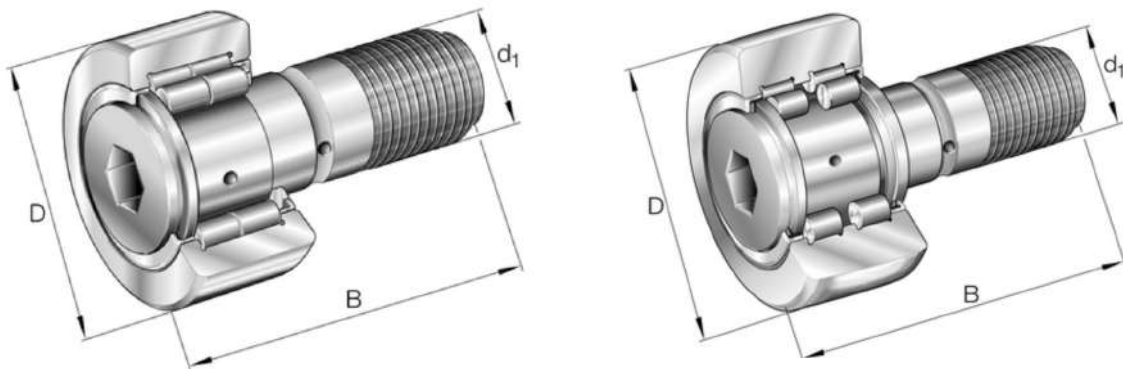
4) Su richiesta, disponibili in acciaio inox 440C o 420C / Under request, stainless steel available 440C or 420C.



Dimensioni (mm) Dimensions (mm)				Eccentrico - Eccentric			Nippli ingrassatori Grease nipples	Momento di serraggio Nut tightening torque MA Nm	Coefficienti di carico <sup>2)</sup> Basic load rating <sup>2)</sup>		Carico limite di fatica Fatigue load Cuw N	Velocità limite Limiting speed Grasso -Grease <sup>3)</sup> N° giri max - N° max rpm
G	lG	W	W <sub>1</sub>	d <sub>e</sub> h9	B <sub>e</sub>	e			Dinamico Dynamic C <sub>w</sub>	Statico Static C <sub>0w</sub>		
M20X1,5	21	10	10	24	18	1			NIP2X7,5	120	15 500	25 500
M20X1,5	21	10	10	24	18	1	NIP2X7,5	120	15 500	25 500	3 000	2 400
M20X1,5	21	10	10	24	18	1	NIP2X7,5	120	20 600	42 000	5 200	1 300
M20X1,5	21	10	10	24	18	1	NIP2X7,5	120	20 600	42 000	5 200	1 300
M20X1,5	21	10	10	24	18	1	NIP2X7,5	120	16 700	29 000	3 400	2 400
M20X1,5	21	10	10	24	18	1	NIP2X7,5	120	16 700	29 000	3 400	2 400
M20X1,5	21	10	10	24	18	1	NIP2X7,5	120	22 600	48 000	5 900	1 300
M20X1,5	21	10	10	24	18	1	NIP2X7,5	120	22 600	48 000	5 900	1 300
M24X1,5	25	14	14	28	22	1	NIP3X9,5	220	26 500	48 000	6 100	1 900
M24X1,5	25	14	14	28	22	1	NIP3X9,5	220	26 500	48 000	6 100	1 900
M24X1,5	25	14	14	28	22	1	NIP3X9,5	220	34 000	75 000	9 800	1 100
M24X1,5	25	14	14	28	22	1	NIP3X9,5	220	34 000	75 000	9 800	1 100
M24X1,5	25	14	14	28	22	1	NIP3X9,5	220	28 000	53 000	6 700	1 900
M24X1,5	25	14	14	28	22	1	NIP3X9,5	220	28 000	53 000	6 700	1 900
M24X1,5	25	14	14	28	22	1	NIP3X9,5	220	36 500	85 000	11 100	1 100
M24X1,5	25	14	14	28	22	1	NIP3X9,5	220	36 500	85 000	11 100	1 100
M30X1,5	32	14	14	35	29	1.5	NIP3X9,5	450	39 000	77 000	9 900	1 300
M30X1,5	32	14	14	35	29	1.5	NIP3X9,5	450	39 000	77 000	9 900	1 300
M30X1,5	32	14	14	35	29	1.5	NIP3X9,5	450	49 500	117 000	15 300	850
M30X1,5	32	14	14	35	29	1.5	NIP3X9,5	450	49 500	117 000	15 300	850
M30X1,5	32	14	14	35	29	1.5	NIP3X9,5	450	40 000	80 750	10 200	1 300
M30X1,5	32	14	14	35	29	1.5	NIP3X9,5	450	40 000	80 750	10 200	1 300
M30X1,5	32	14	14	35	29	1.5	NIP3X9,5	450	41 000	83 000	10 600	1 300
M30X1,5	32	14	14	35	29	1.5	NIP3X9,5	450	41 000	83 000	10 600	1 300
M30X1,5	32	14	14	35	29	1.5	NIP3X9,5	450	52 000	129 000	16 900	850
M30X1,5	32	14	14	35	29	1.5	NIP3X9,5	450	52 000	129 000	16 900	850



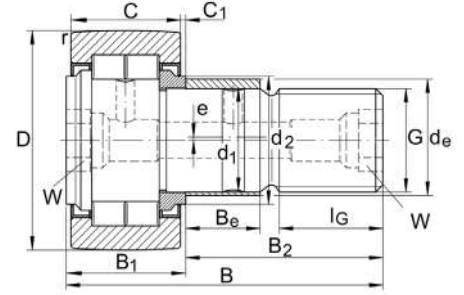
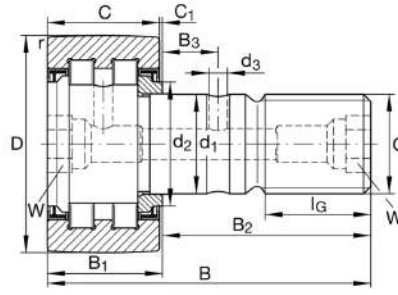
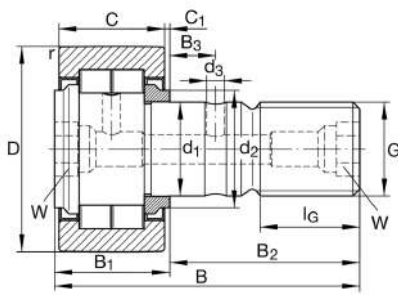
**STUD TYPE TRACK ROLLER (NUKR • NUKRE • PWKR..2RS • PWKRE..2RS)  
PERNI FOLLI A RULLI (NUKR • NUKRE • PWKR..2RS • PWKRE..2RS)**



Diametro esterno (mm) Outside Diameter (mm)	Sigla 1) Designation	Peso (g) Weight (g)	Con eccentrico With eccentric	Peso (g) Weight (g)	Dimensioni (mm) Dimensions (mm)											
					D	d <sub>1</sub> h7	B	B <sub>1</sub> max.	B <sub>2</sub>	B <sub>3</sub>	C	C <sub>1</sub>	r min.	d <sub>2</sub>	d <sub>3</sub>	G
35	NUKR35	164	-	-	35	16	52	19.6	32.5	7.8	18	0.8	0.6	20	3	M16X1,5
	-	-	NUKRE35	177	35	16	52	22.6	29.5	-	18	3.8	0.6	27.6	-	M16X1,5
	PWKR35-2RS	164	-	-	35	16	52	19.6	32.5	7.8	18	0.8	0.6	20	3	M16X1,5
	-	-	PWKRE35-2RS	177	35	16	52	22.6	29.5	-	18	3.8	0.6	27.6	-	M16X1,5
40	NUKR40	242	-	-	40	18	58	21.6	36.5	8	20	0.8	1	22	3	M18X1,5
	-	-	NUKRE40	258	40	18	58	24.6	33.5	-	20	3.8	1	30	-	M18X1,5
	PWKR40-2RS	242	-	-	40	18	58	21.6	36.5	8	20	0.8	1	22	3	M18X1,5
	-	-	PWKRE40-2RS	258	40	18	58	24.6	33.5	-	20	3.8	1	30	-	M18X1,5
47	NUKR47	380	NUKRE47	400	47	20	66	25.6	40.5	9	24	0.8	1	27	4	M20X1,5
	PWKR47-2RS	380	PWKRE47-2RS	400	47	20	66	25.6	40.5	9	24	0.8	1	27	4	M20X1,5
52	NUKR52	450	NUKRE52	470	52	20	66	25.6	40.5	9	24	0.8	1	31	4	M20X1,5
	PWKR52-2RS	450	PWKRE52-2RS	470	52	20	66	25.6	40.5	9	24	0.8	1	31	4	M20X1,5
62	NUKR62	795	NUKRE62	824	62	24	80	30.6	49.5	11	28	1.3	1	38	4	M24X1,5
	PWKR62-2RS	795	PWKRE62-2RS	824	62	24	80	30.6	49.5	11	28	1.3	1	38	4	M24X1,5
72	NUKR72	1 020	NUKRE72	1 050	72	24	80	30.6	49.5	11	28	1.3	1.1	44	4	M24X1,5
	PWKR72-2RS	1 020	PWKRE72-2RS	1 050	72	24	80	30.6	49.5	11	28	1.3	1.1	44	4	M24X1,5
80	NUKR80	1 600	NUKRE80	1 670	80	30	100	37	63	15	35	1	1.1	47	4	M30X1,5
	PWKR80-2RS	1 600	PWKRE80-2RS	1 670	80	30	100	37	63	15	35	1	1.1	47	4	M30X1,5
90	NUKR90	1 960	NUKRE90	2 020	90	30	100	37	63	15	35	1	1.1	47	4	M30X1,5
	PWKR90-2RS	1 960	PWKRE90-2RS	2 020	90	30	100	37	63	15	35	1	1.1	47	4	M30X1,5

- 1) Anello esterno con superficie cilindrica: suffisso X.  
Outer ring with cylindric surface: X ref.
- 2) C e C<sub>0</sub> coefficienti di carico: per utilizzo con accoppiamento con cuscinetti volventi.  
C and C<sub>0</sub> load ratings: coupling with bearings.
- 3) Con lubrificazione ad olio il limite dei giri aumenta circa del 25%.  
With oil lubrication, number of revolutions improves of about 25%.
- 4) Su richiesta, disponibili in acciaio inox 440C o 420C.  
Under request, stainless steel available 440C or 420C.

STUD TYPE TRACK ROLLER (NUKR • NUKRE • PWKR..2RS • PWKRE..2RS)  
 PERNI FOLLI A RULLI (NUKR • NUKRE • PWKR..2RS • PWKRE..2RS)



Dimensioni (mm) Dimensions (mm)					Nippli ingrassatori Grease nipples	Momento di serraggio Nut tightening torque MA Nm	Coefficienti di carico <sup>2)</sup> Basic load rating <sup>2)</sup>				Carico limite di fatica Fatigue load C <sub>uw</sub> N	Velocità limite Limiting speed Grasso -Grease <sup>3)</sup> N° giri max - N° max rpm
l <sub>G</sub>	W	Eccentrico - Eccentric d <sub>e</sub> h9 B <sub>e</sub> e					din. C <sub>r</sub> w N	stat. C <sub>0r</sub> w N	din. F <sub>r</sub> per N	stat. F <sub>0r</sub> per N		
17	8	-	-	-	NIPA2X7,5	58	15 000	16 800	8 600	16 800	2 220	6 500
17	8	20	12	1	NIPA2X7,5	58	15 000	16 800	8 600	16 800	2 220	6 500
17	8	-	-	-	NIPA2X7,5	58	11 600	11 300	9 400	11 300	1 780	6 000
17	8	20	12	1	NIPA2X7,5	58	11 600	11 300	9 400	11 300	1 780	6 000
19	8	-	-	-	NIPA2X7,5	87	18 400	22 600	13 100	22 600	2 900	5 500
19	8	22	14	1	NIPA2X7,5	87	18 400	22 600	13 100	22 600	2 900	5 500
19	8	-	-	-	NIPA2X7,5	87	13 200	13 800	13 800	13 800	2 200	5 000
19	8	22	14	1	NIPA2X7,5	87	13 200	13 800	13 800	13 800	2 200	5 000
21	10	24	18	1	NIPA2X7,5	120	28 000	35 000	16 400	33 000	4 400	4 200
21	10	24	18	1	NIPA2X7,5	120	23 200	25 500	18 300	25 500	3 600	3 800
21	10	24	18	1	NIPA2X7,5	120	29 000	37 500	17 300	34 500	4 700	4 200
21	10	24	18	1	NIPA2X7,5	120	24 200	28 000	19 300	28 000	3 900	3 800
25	14	28	22	1	NIPA3X9,5	220	40 000	50 000	23 500	46 500	6 300	2 600
25	14	28	22	1	NIPA3X9,5	220	35 000	39 500	25 500	39 500	5 400	2 200
25	14	28	22	1	NIPA3X9,5	220	44 500	60 000	32 000	60 000	7 600	2 600
25	14	28	22	1	NIPA3X9,5	220	38 500	46 500	46 500	46 500	6 300	2 200
32	14	35	29	1.5	NIPA3X9,5	450	69 000	98 000	47 500	96 000	12 100	1 800
32	14	35	29	1.5	NIPA3X9,5	450	56 000	70 000	53 000	70 000	9 100	1 800
32	14	35	29	1.5	NIPA3X9,5	450	79 000	117 000	77 000	117 000	14 400	1 800
32	14	35	29	1.5	NIPA3X9,5	450	63 000	82 000	82 000	82 000	10 700	1 800