

INDEX

GENERAL DESCRIPTION

Advantages of Linear Motion Rolling Guides	6
Features of IKO Linear Motion Rolling Guides	7
Features of IKO Interchangeable Specification Products	8
Types of IKO Linear Motion Rolling Guides	10
Outline of Linear Motion Rolling Guide Selection Procedure	18
Basic Dynamic Load Rating and Life	20
Basic Static Load Rating and Static Safety Factor	23
Equivalent Load	25
Applied Load	29
Preload	44
Friction	45
Lubrication	47
Operating Environment	49

LINEAR WAY and LINEAR ROLLER WAY

DESCRIPTION

Features of Linear Way and Linear Roller Way	52
Features of Linear Way	54
Features of Linear Roller Way	56
Series of Linear Way and Linear Roller Way	58
Long-Term Maintenance Free Linear Motion Rolling Guide Series	60
Interchangeable Specification	64
Stainless Series	68
Linear Way and Linear roller way for Special Environment	70
Identification Number	76
For Ordering	77
Load Rating	78
Accuracy	79
Preload	84
Special Specifications	86
Lubrication and Dust Protection	96
Precautions for Use	108
Precautions for Mounting	125
Mounting Examples	128

A	C-Sleeve Linear Way ML	ML · MLF	A-2
	C-Sleeve Linear Way ME	ME · MET · MES	A-18
	C-Sleeve Linear Way MH	MH · MHT · MHD · MHS	A-34
	C-Sleeve Linear Way MUL	MUL	A-52

B	Linear Way L	LWL · LWLF	B-2
	Linear Way E	LWE · LWET · LWES	B-28
	Low Decibel Linear Way E	LWE···Q · LWET···Q · LWES···Q	B-54
	Linear Way H	LWH···B · LWHT···B · LWHD···B · LWHS···B · LWHY	B-72
	Linear Way F	LWFH · LWFF · LWFS	B-108
	Linear Way U	LWU	B-128
Linear Way Module	LWLM · LWM · LRWM	B-140	

C	Linear Roller Way Super X	LRX · LRXD · LRXS	C-2
	Linear Roller Way X	LRWX···B · LRWXH	C-34
	Linear Roller Way H	LRWH	C-46

LINEAR BALL SPLINE

DESCRIPTION

D	Features of Linear Ball Spline	D-2	
	Series	D-3	
	Interchangeable Specification	D-4	
	Identification Number	D-6	
	For Ordering	D-7	
	Load Rating	D-8	
	Accuracy	D-11	
	Preload	D-15	
	Special Specifications	D-16	
	Lubrication and Dust Protection	D-18	
	Precautions for Use	D-21	
	Precautions for Mounting	D-24	
	Linear Ball Spline G	LASG · LSAGF	D-28
	Block type Linear Ball Spline	LSB	D-46
	Angular type Linear Ball Spline	LSA · LSAF	D-54

OTHER LINEAR MOTION ROLLING GUIDES

E	Crossed Roller Way	CRW · CRWM	E-2
	Anti-Creep Cage Crossed Roller Way	CRWG	E-48
	Crossed Roller Way Unit	CRWU	E-64
	High Rigidity Precision Linear Slide Unit	BWU	E-84
	Precision Linear Slide	BSP · BSPG · BSR	E-96
	Linear Bushing G	LMG	E-112
	Linear Bushing	LM · LME · LMB	E-122
	Miniature Linear Bushing	LMS	E-166
	Stroke Rotary Bushing	ST	E-176
	Miniature Stroke Rotary Bushing	STSI	E-186
	Stroke Rotary Cage	BG	E-194
	Roller Way	RW · SR · GSN	E-202
	Flat Roller Cage	FT · FTW···A	E-218

OTHER PRODUCT

F	Cam Follower	F-2
	Roller Follower	F-76
	Crossed Roller Bearing	F-100

G	Application Examples	G-2
	Miscellaneous Tables	G-30



TechnoDrive
Ваш надежный партнер

Тел: 8 (863) 223-20-99
E-mail: info@technodrive.pro
www.technodrive.pro

General Description



IKO Linear Motion Rolling Guides are used with satisfactory results for various applications requiring precision positioning such as semi-conductor manufacturing equipment and large-sized machine tools. In contrast to conventional rolling bearings used in rotating parts, Linear Motion Rolling Guides are the products applicable to plane sliding surfaces, and meet the increasing needs for linear motion and precision positioning in machines and equipment. Linear Way and Linear Roller Way of rail guide type, Linear Ball Spline of shaft guide type, and other products, recognized for their high quality and excellent features, are available.



Advantages of Linear Motion Rolling Guides

Advantages of Linear Motion Rolling Guides compared with conventional plain guides are as follows.

1 High positioning accuracy

Superior response characteristics to micro-feeding and accurate positioning performance can be achieved owing to the stable frictional characteristics of rolling friction with small differences between dynamic and static (start-up) friction and small variations in friction due to velocity changes.

2 Reductions in machine size and power consumption

The low frictional resistance allows the use of smaller drive units, which makes it possible to design more compact and lighter machines with less power consumption. So the machine cost and power cost can be saved. In addition, machines can be operated at higher speeds, achieving higher machine efficiency.

3 Highly reliable accuracy in long run operations

Owing to very little wear of raceways and rolling elements, high accuracy and reliability of machines and equipment are maintained in long run operations. In addition, the thinner oil films needed to lubricate Linear Motion Rolling Guides in comparison with conventional plain guides reduce errors caused by variations in oil film thickness.

4 Improvement of product reliability from first design

Reliability of the machines and equipment is improved from the first stage of the design, because the life of Linear Motion Rolling Guides can be estimated by using the established life calculation formulas based on rolling contact fatigue.

5 Simple design for lubrication

In most cases, grease lubrication is sufficient, which requires only a simple design for lubrication and simple maintenance.

6 Guide mechanism free from play

By giving a preload, the rigidity of Linear Motion Rolling Guides can be increased and a guide mechanism free from play can be designed. A preloaded rolling guide also achieves smooth motion even without any clearance.

Features of IKO Linear Motion Rolling Guides

IKO Linear Motion Rolling Guides have the following features.

1

A choice between ball types and roller types assures the best selection for any application

IKO offers two basic design concepts: steel ball types and cylindrical roller types. Steel ball types are most suited for general purpose applications requiring a light to medium load capacity and low frictional resistance. Cylindrical roller types, in comparison, are most often selected for machines needing a high load capacity and very high rigidity.

2

A wide selection of various types for all kinds of industrial uses

Suitable designs in rail guide types and shaft guide types as well as limited motion types and endless motion types are all parts of **IKO**'s standard product lines.

3

A functional simplicity in structure yields high reliability

IKO Linear Motion Rolling Guides feature functional and simple designs. Compared to more complicated designs needing extra steps in manufacturing, the simplicity of **IKO** designs reduce the potential processing errors that might occur during the various stages of production. Mounting errors can also be eliminated.

4

Process reductions in designing and assembling

Typical **IKO** Linear Motion Rolling Guides are made into one complete unit of linear motion rolling guide mechanism, and their sizes and accuracy are standardized. Design, assembly and maintenance time of machines and equipment can be reduced greatly by adopting these products.

5

Superior performance and high quality through advanced manufacturing techniques

IKO's precision manufacturing technology and quality control have been developed to achieve and maintain an internationally recognized reputation as a manufacturer of top quality needle roller bearings and other precision machine components. This firm commitment to manufacturing excellence is reflected in the superior performance and high quality of **IKO** Linear Motion Rolling Guides.

Features of IKD interchangeable specification products

Interchangeable specification products are available in Linear Way, Linear Roller Way, and Linear Ball Spline series of **IKD** Linear Motion Rolling Guides. As slide units/external cylinders and track rails/spline shafts of these products are interchangeable, product selection can be made more freely and easily meeting the customer's needs.

1 Easy addition and replacement of parts

Slide units/external cylinders can be added or replaced on a track rail/spline shaft as required, and even slide units/external cylinders of different types can be assembled on a same track rail/spline shaft. When replacement of parts must be made urgently, for example, due to a design change, it can be made without delay.

2 Short delivery term

As slide units/external cylinders and track rails/spline shafts are stocked separately, these parts can be delivered promptly.

3 High accuracy and high preload

Interchangeability is achieved by rigorous accuracy control of individual parts. As a result, one-step higher accuracy and preload can be offered.

4 Improved efficiency at assembly work

Interchangeable specification products can be assembled without specially selecting slide units/external cylinders and track rails/spline shafts for assembly. So efficiency at assembly work can be improved.

5 A wide range of variations

A wide range of variations in types, sizes, materials, etc. are available, so an optimum product can be selected by the customer for each application.

6 Special specifications

Standard products are available with abundant optional special specifications to meet the diversified needs. These special specification products can be ordered by simply adding the supplemental code to the end of the identification number.

IKD proposes interchangeable specification Linear Motion Rolling Guides for free and easy product selection by the user.

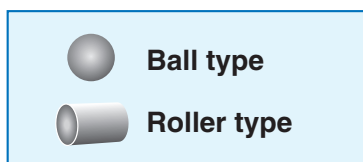


Line-up of interchangeable specification products

	Rolling element	Series name	Material	Variation	Reference page
<i>C-Sleeve Linear Way</i>	Ball	C-Sleeve Linear Way ML	Stainless steel	6 types, 37 sizes	A-2 ~
		C-Sleeve Linear Way ME	Carbon steel	9 types, 27 sizes	A-18 ~
		C-Sleeve Linear Way MH	Carbon steel	8 types, 18 sizes	A-34 ~
<i>Linear Way</i>	Ball	Linear Way L	High carbon steel	2 types, 8 sizes	B-2 ~
			Stainless steel	6 types, 37 sizes	
		Linear Way E	High carbon steel	9 types, 45 sizes	B-28 ~
			Stainless steel	9 types, 36 sizes	
		Linear Way H	High carbon steel	8 types, 52 sizes	B-72 ~
			Stainless steel	6 types, 24 sizes	
		Linear Way F	High carbon steel	3 types, 9 sizes	B-108 ~
			Stainless steel	1 type, 3 sizes	
<i>Linear Roller Way</i>	Roller	Linear Roller Way Super X	High carbon steel	9 types, 69 sizes	C-2 ~
			Stainless steel	3 types, 15 sizes	
<i>Linear Ball Spline</i>	Ball	Linear Ball Spline G	High carbon steel	8 types, 56 sizes	D-28 ~
		Block type Linear Ball Spline	High carbon steel	2 types, 14 sizes	D-46 ~
			Stainless steel	1 type, 3 sizes	

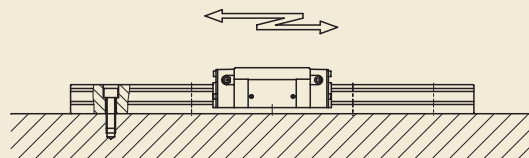
Types of IKO Linear Motion Rolling Guides

IKO Linear Motion Rolling Guides are classified according to the guide type, motion type and rolling element type. Three guide types, namely, rail guide type, shaft guide type and flat guide type are available. Each of them is divided into the endless motion type in which rolling elements are re-circulated to achieve endless linear motion and the limited motion type without rolling element re-circulation. These types are divided again into ball types and roller types. Each of these guides has its own features.



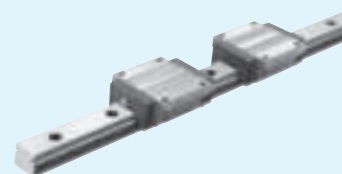
Rail guide type

The rail guide type achieves linear motion along a rail. This product can receive a complex load and features high performance, excellent total balance and easy handling.

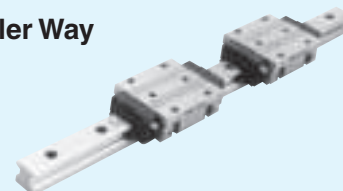


Endless linear motion

Linear Way

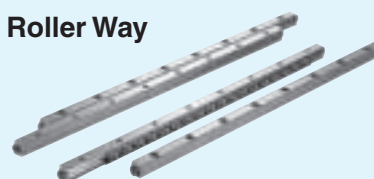


Linear Roller Way



Limited linear motion

Crossed Roller Way

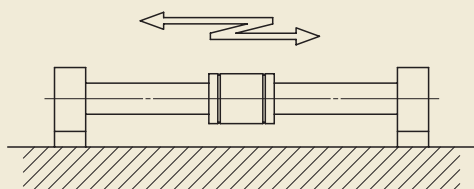


Precision Linear Slide



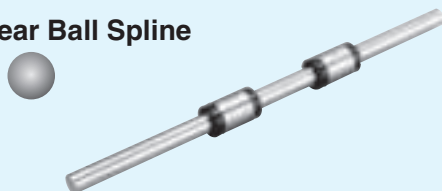
Shaft guide type

The shaft guide type achieves linear motion along a shaft. This product is easy to handle and suitable for relatively low load conditions. Some shaft guide products can achieve both rotation and reciprocating linear motion.



Endless linear motion

Linear Ball Spline

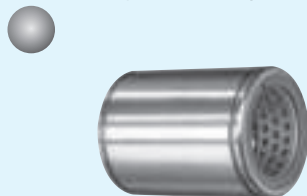


Linear Bushing



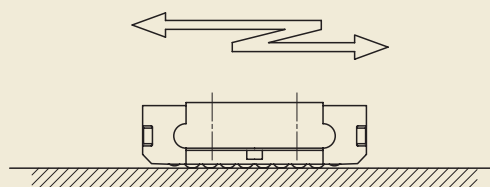
Limited linear motion and rotation

Stroke Rotary Bushing



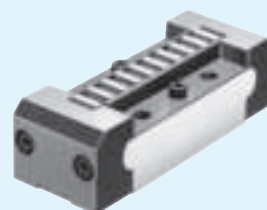
Flat guide type

The flat guide type achieves linear motion along a flat plate. It can receive only a unidirectional load but has a large load carrying capacity.



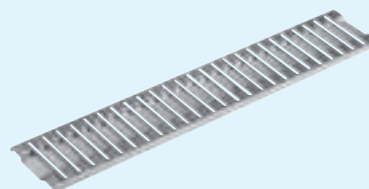
Endless linear motion

Roller Way



Limited linear motion

Flat Roller Cage

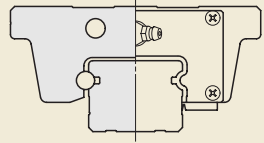


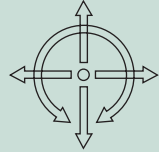
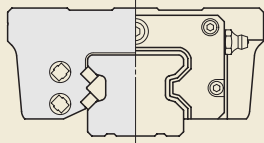



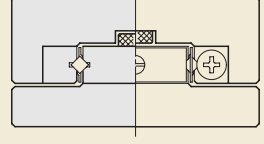


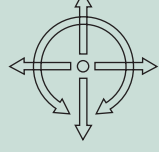
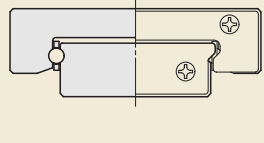

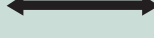
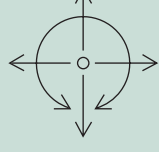


Rail guide type

Rail guide type linear motion rolling guides are easy to mount and can receive complex loads. Man-hours for mounting them on machines and equipment and for designing the guide mechanism can be saved, and consequently the overall machine cost can be reduced greatly. Linear Roller Way can be used for applications subjected to a large load and Linear Way for general-purpose applications.

For applications with a relatively small load requiring smooth and precise motion, use Crossed Roller Way or Precision Linear Slide.

Rail guide type

		Type of rolling element	Type of motion		Load direction and load carrying capacity	Rigidity	Frictional characteristic	Ease of mounting	General applications	
Endless linear motion	Linear Way 	 Ball	 Endless linear motion		 Complex load, medium to heavy load	○	○	◎	<ul style="list-style-type: none"> · NC machine tool · Precision working machine · Robot · Material transfer machine 	Page A-2~ Page B-2~
	Linear Roller Way 	 Roller	 Endless linear motion		 Complex load, heavy to extra-heavy load	◎	○	◎	<ul style="list-style-type: none"> · Heavy duty machine tool · Large working machine · High-rigidity robot 	Page C-2~
Limited linear motion	Crossed Roller Way 	 Roller	 Limited linear motion		 Complex load, medium load	○	◎	◎	<ul style="list-style-type: none"> · Precision working machine · Electronic parts assembling machine · Precision measuring instrument 	Page E-2~
	Precision Linear Slide 	 Ball	 Limited linear motion		 Complex load, light to medium load	△	◎	◎	<ul style="list-style-type: none"> · Electronic parts assembling machine 	Page E-84~

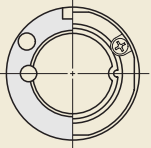


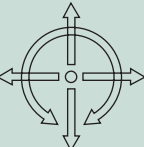
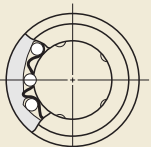


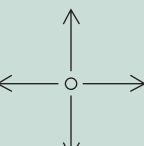
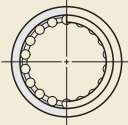

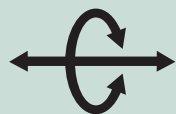
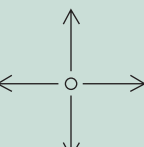
Remarks: ◎ Excellent, ○ Good, △ Fair



Shaft Guide Type

Shaft guide type linear motion rolling guides feature easy mounting. These guides can be used to reduce man-hours for mounting them on machines and equipment, and consequently to save greatly the overall system cost. Stroke Rotary Bushings make both linear reciprocating motion and rotation and can be used on rotary shafts. Linear Ball Splines can be used as rotary shafts to transmit torque when combined with shaft support bearings.

Shaft Guide Type

		Type of rolling element	Type of motion		Load direction and load carrying capacity	Rigidity	Frictional characteristic	Ease of mounting	General applications	
Endless linear motion	Linear Ball Spline 	 Ball	 Endless linear motion		 Complex load, medium to heavy load	○	○	○	<ul style="list-style-type: none"> • Robot • Testing and inspection equipment • Material transfer machine 	Page D-28~
	Linear Bushing 	 Ball	 Endless linear motion		 Radial load, light load	△	○	○	<ul style="list-style-type: none"> • Packaging machine • Measuring instrument • Medical equipment 	Page E-112~
Limited linear motion + rotation	Stroke Rotary Bushing 	 Ball	 Limited linear motion + rotation		 Radial load, light load	△	◎	○	<ul style="list-style-type: none"> • Printing press • Press die set • Precision measuring instrument 	Page E-176~

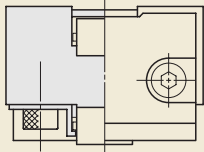
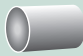





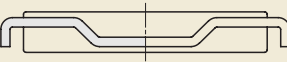






Remarks: ◎ Excellent, ○ Good, △ Fair



Flat Guide Type

Flat guide type linear motion rolling guides can receive only a uni-directional load but feature high rigidity in the load direction. A guide surface must be prepared for these rolling guides by surface hardening such as heat treatment and precision surface finishing.

Flat Guide Type

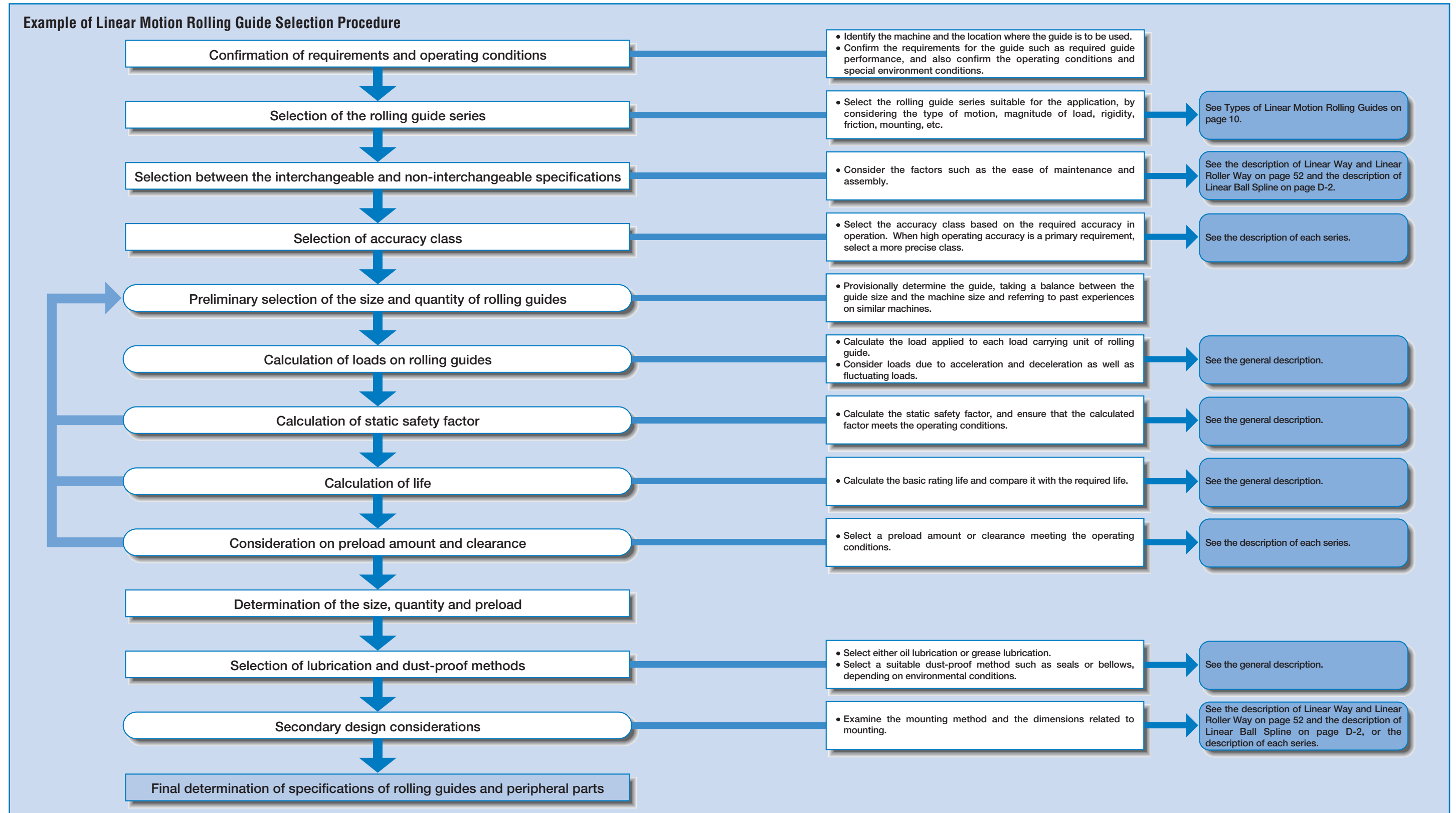
		Type of rolling element	Type of motion		Load direction and load carrying capacity	Rigidity	Frictional characteristic	Ease of mounting	General applications	
Endless linear motion	Roller Way 	 Roller	 Endless linear motion		 One-directional load, extra-heavy load				<ul style="list-style-type: none"> NC machine tool Precision working machine 	Page E-202~
Limited linear motion	Flat Roller Cage 	 Roller	 Limited linear motion		 One-directional load, extra-heavy load				<ul style="list-style-type: none"> Precision working machine Optical measuring instrument 	Page E-218~

Remarks: ◎ Excellent, ○ Good, △ Fair



Outline of Linear Motion Rolling Guide Selection Procedure

Selection of an optimum linear motion rolling guide is made with careful consideration on various factors from the basic items to the details.
An example of standard procedure for selection is shown below.



Basic Dynamic Load Rating and Life

● Life of Linear Motion Rolling Guides

When linear motion rolling guides are operated over a certain period, they will eventually wear out even under normal operating conditions. This is because the raceways and rolling elements of linear motion rolling guides are subjected to repeated loads and will become damaged by rolling contact fatigue of material characterized by the formation of scale-like wear fragments (fatigue flaking). These damaged rolling guides can no longer be used. The life of linear motion rolling guide is defined as the total traveling distance accomplished before the first evidence of fatigue flaking appears on one of the raceways or rolling elements. There is a variation in life because material fatigue is a statistical phenomenon. The basic rating life is therefore calculated statistically.

● Basic dynamic load rating C (Complying with ISO 14728-1)⁽¹⁾

The basic dynamic load rating of linear motion rolling guide is the constant load both in direction and magnitude that gives the basic rating life as shown in Table 1, when a group of identical rolling guides are individually operated.

The basic dynamic load rating may be corrected for the direction of applied load. For details, see the description of each series.

Note⁽¹⁾: This standard is not applicable on some series.

● Rating life

The basic rating life of linear motion rolling guide is defined as the total traveling distance that 90% of a group of identical rolling guides can be operated individually under the same conditions free from any material damage caused by rolling fatigue.

However, the basic rating life of Stroke Rotary Bushing is represented by the total number of revolutions.

Table 1 Basic rating life for basic dynamic load rating

Series	Basic rating life for basic dynamic load rating
Linear Way Linear Roller Way Linear Ball Spline Precision Linear Slide Linear Bushing	50×10^3 m
Crossed Roller Way Roller Way Flat Roller Cage	100×10^3 m
Stroke Rotary Bushing	10^6 rev.

Life calculation

Life calculation formula

Table 2 shows the relationship between the basic rating life, basic dynamic load rating and applied load of the linear motion rolling guides.

In the life calculation for practical applications, load factor, temperature factor, hardness factor, etc. are taken into consideration. See Table 3 for Stroke Rotary Bushing.

Table 2 Applicable life calculation formula

Series	Basic rating life calculation formula		Symbols
	unit : 10 ³ m	unit : hours	
Linear Way Precision Linear Slide Linear Bushing	$L = 50 \left(\frac{C}{P} \right)^3$	$L_h = \frac{10^6 L}{2S n_1 \times 60}$	<p>L : Basic rating life, 10³m C : Basic dynamic load rating, N T : Dynamic torque rating, N·m P : Dynamic equivalent load (or applied load), N M : Applied torque, N·m L_h : Basic rating life in hours, h S : Stroke length, mm n_1 : Number of strokes per minute, cpm</p>
Linear Ball Spline	$L = 50 \left(\frac{C}{P} \right)^3$ $L = 50 \left(\frac{T}{M} \right)^3$		
Linear Roller Way	$L = 50 \left(\frac{C}{P} \right)^{10/3}$		
Crossed Roller Way Roller Way Flat Roller Cage	$L = 100 \left(\frac{C}{P} \right)^{10/3}$		

Table 3 Life calculation formula of Stroke Rotary Bushing

Type of motion	Basic rating life calculation formula		Symbols
	unit : 10 ⁶ rev.	unit : hours	
Rotation	$L = \left(\frac{C}{P} \right)^3$	$L_h = \frac{10^6 L}{60 \sqrt{(D_{pw} n)^2 + (10S n_1)^2} / D_{pw}}$	<p>L : Basic rating life, 10⁶rev. C : Basic dynamic load rating, N P : Applied load, N L_h : Basic rating life in hours, h n : Rotation speed, rpm n_1 : Number of strokes per minute, cpm S : Stroke length, mm D_{pw} : Pitch diameter of ball set, mm ($D_{pw} \approx 1.15F_w$) F_w : Diameter of inscribed circle, mm</p>
Combined motion of rotation and reciprocating linear motion			
Reciprocating linear motion		$L_h = \frac{10^6 L}{600S n_1 / \pi D_{pw}}$	

Temperature factor

Since the allowable contact stress of rolling guides will gradually decrease when the operating temperature of the rolling guide rises over 150°C, the basic dynamic load rating must be corrected for temperature.

$$C_t = f_t C \dots\dots\dots (1.1)$$

- where, C_t : Basic dynamic load rating considering a temperature rise, N
- f_t : Temperature factor (See Fig. 1.)
- C : Basic dynamic load rating, N

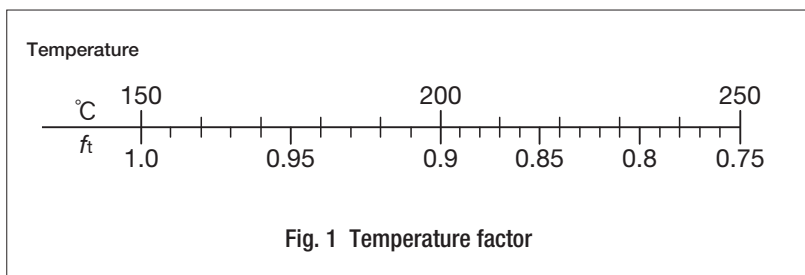


Fig. 1 Temperature factor

Hardness factor

The raceway surface hardness must be 58 to 64HRC. When the hardness is lower than 58HRC, the basic dynamic load rating must be corrected by the following formula.

$$C_H = f_H C \dots\dots\dots (1.2)$$

- where, C_H : Basic dynamic load rating considering hardness, N
- f_H : Hardness factor (See Fig. 2.)
- C : Basic dynamic load rating, N

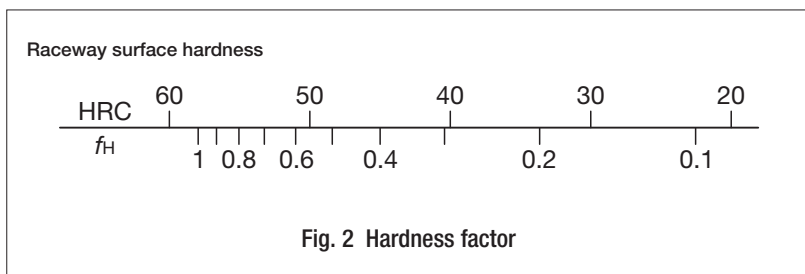


Fig. 2 Hardness factor

Basic Static Load Rating and Static Safety Factor

● Basic static load rating C_0 (Complying with ISO 14728-2)⁽¹⁾

The basic static load rating of linear motion rolling guide is defined as the static load which gives the contact stress as shown in Table 4 at the center of the contact area between the rolling element and the raceway receiving the maximum load.

If a large load or a heavy shock is applied to a rolling guide when it is stationary or running at a relatively low speed, a local permanent deformation may be made on the rolling elements and/or the raceway surfaces of the slide unit, track rail, external cylinder, shaft, etc. When this permanent deformation becomes larger than a certain size, it will prevent smooth rolling motion and cause the guide to generate noise or vibrate, resulting in degradation in traveling performance and eventually early-stage damage.

The basic static load rating is used in combination with the static safety factor to give the load that may cause the permanent deformation exceeding this limit.

The basic static load rating may be corrected for the applied load direction. For details, see the description of each series.

Note(1) : This standard is not applicable on some series.

Table 4 Maximum contact stress

Series	Maximum contact stress
Linear Way Linear Ball Spline	4 200 MPa
Linear Roller Way Crossed Roller Way Roller Way Flat Roller Cage	4 000 MPa

● Static moment rating

The static moment rating is defined as the static moment which gives the contact stress as shown in Table 4 at the center of the contact area between the rolling element and the raceway receiving the maximum load when the moment shown in the examples of Fig. 3 is applied.

Generally, like the basic static load rating, the static moment rating is used in combination with the static safety factor to give the limiting load for normal rolling motion.

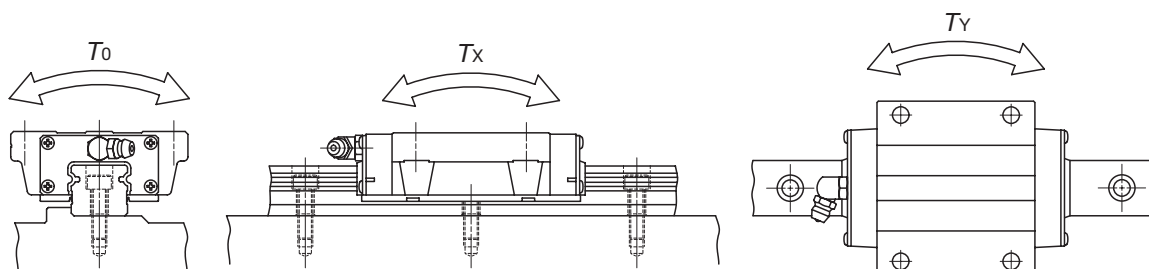


Fig. 3 Examples of static moment rating direction

● Static safety factor

The basic static load rating and the static moment rating (or static torque rating) are considered as the theoretical allowable limit of load for normal rolling motion. In practice, this limit must be corrected by the static safety factor considering the operating conditions and performance required of linear motion rolling guides. The static safety factor is obtained by the formulas below, and Tables 5.1 to 5.4 give standard values of this factor. For moment or torque load, the formula (1.4) is a representative formula. The static safety factor is calculated in each direction by applying the static moment rating and the maximum moment in that direction.

$$f_s = \frac{C_0}{P_0} \dots\dots\dots (1.3)$$

$$f_s = \frac{T_0}{M_0} \dots\dots\dots (1.4)$$

where, f_s : Static safety factor
 C_0 : Basic static load rating, N
 P_0 : Static equivalent load
 (or applied static load (maximum load)), N
 T_0 : Static moment rating, N·m
 (or static torque rating)
 M_0 : Moment or torque, N·m
 (maximum moment or maximum torque)

Table 5.1 Static safety factor

Operating conditions	f_s
Operation with vibration and/or shocks	3~5
High operating performance	2~4
Normal operation	1~3

Remark : This table does not apply to Linear Roller Way, Linear Ball Spline, Linear Bushing and Stroke Rotary Bushing.

Table 5.3 Static safety factor of Linear Ball Spline

Operating conditions	f_s
Operation with vibration and/or shocks	5~7
High operating performance	4~6
Normal operation	3~5

Remark : It is recommended to adopt a static safety factor of 5 or more for Angular type Linear Ball Spline.

Table 5.2 Static safety factor of Linear Roller Way

Operating conditions	f_s
Operation with vibration and/or shocks	4 ~6
High operating performance	3 ~5
Normal operation	2.5~3

Table 5.4 Static safety factor of Linear Bushing and Stroke Rotary Bushing

Operating conditions	f_s
Operation with vibration and/or shocks	2.5
Quiet operation	2
Normal operation	1.5

Equivalent Load

● Dynamic equivalent load

When a load is applied in a direction other than that of the basic dynamic load rating of Linear Way or Linear Roller Way or a complex load is applied, the dynamic equivalent load must be calculated to obtain the basic rating life.

Obtain the downward and lateral conversion loads from the loads and moments in various directions.

$$F_{re} = k_r |F_r| + \frac{C_0}{T_0} |M_0| + \frac{C_0}{T_x} |M_x| \dots\dots\dots (1.5)$$

$$F_{ae} = k_a |F_a| + \frac{C_0}{T_y} |M_y| \dots\dots\dots (1.6)$$

- where, F_{re} : Downward conversion load, N
- F_{ae} : Lateral conversion load, N
- F_r : Downward load, N
- F_a : Lateral load, N
- M_0 : Moment in the T_0 direction, N · m
- M_x : Moment in the T_x direction, N · m
- M_y : Moment in the T_y direction, N · m
- k_r, k_a : Conversion factors for load direction (See Table 7.)
- C_0 : Basic static load rating, N
- T_0 : Static moment rating in the T_0 direction, N · m
- T_x : Static moment rating in the T_x direction, N · m
- T_y : Static moment rating in the T_y direction, N · m

Obtain the dynamic equivalent load from the downward and lateral conversion loads.

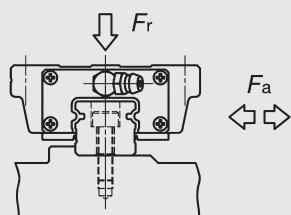
$$P = X F_{re} + Y F_{ae} \dots\dots\dots (1.7)$$

- where, P : Dynamic equivalent load, N
- X, Y : Dynamic equivalent load factor (See Table 6.)
- F_{re} : Downward conversion load, N
- F_{ae} : Lateral conversion load, N

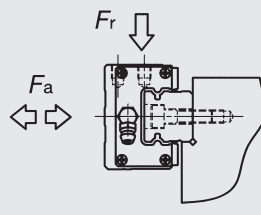
Condition	X	Y
$ F_{re} \geq F_{ae} $	1	0.6
$ F_{re} < F_{ae} $	0.6	1



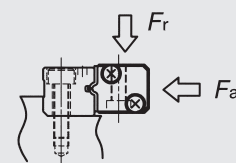
Table 7 Conversion factor for load direction



Linear Way and Linear Roller Way



Linear Way H Side Mounting type

Linear Way LM
Linear Way M
Linear Roller Way M

Series and size		Conversion factor		
		k_r		k_a
		$F_r \geq 0$	$F_r < 0$	
C-Sleeve Linear Way ML		1	1	1.13
C-Sleeve Linear Way ME		1	1	1
C-Sleeve Linear Way MH		1	1	1
C-Sleeve Linear Way MUL		1	1	1.19
Linear Way L	Ball retained type	1	1	1.13
	Ball non-retained type	1	1	0.88
Linear Way E	15~30	1	1	1
	35~45	1	1.13	1.19
Low Decibel Linear Way E		1	1	1
Linear Way H	8~12	1	1	1.13
	15~30	1	1	1
	35~65	1	1.13	1.19
	85	1	1.28	1.23
Linear Way H Side Mounting type	15~30	1	1	1
	35~65 (1)	1	1	0.84 0.95
Linear Way F	33~42	1	1	1
	69	1	1	1.13
Linear Way FH		1	1.13	1.19
Linear Way U	25, 30	1	1	1.13
	40~130	1	1	1
Linear Roller Way Super X		1	1	1
Linear Roller Way X		1	1	1
Linear Way LM		1	1	0.70
Linear Way M	1~ 5	1	1.13	0.73
	6	1	1.28	0.76
Linear Roller Way M		1	1	0.58

Note(1): The upper value in the k_a column is the value when the load is applied to the right and the lower value is the value when the load is applied to the left in the above sketch.

Remark : F_r is the downward load. (When its value is smaller than zero, it is an upward load.)

● Static equivalent load P_0

When a load is applied in a direction other than that of the basic static load rating of Linear Way or Linear Roller Way or a complex load is applied, the static equivalent load must be calculated to obtain the static safety factor.

$$P_0 = k_{0r}|F_r| + k_{0a}|F_a| + \frac{C_0}{T_0}|M_0| + \frac{C_0}{T_x}|M_x| + \frac{C_0}{T_y}|M_y| \dots \dots \dots (1.8)$$

where, P_0 : Static equivalent load, N

F_r : Downward load, N

F_a : Lateral load, N

M_0 : Moment in the T_0 direction, N · m

M_x : Moment in the T_x direction, N · m

M_y : Moment in the T_y direction, N · m

k_{0r}, k_{0a} : Conversion factors for load direction (See Table 8.)

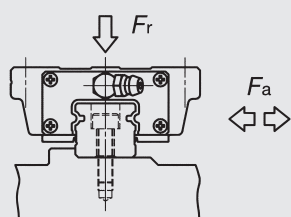
C_0 : Basic static load rating, N

T_0 : Static moment rating in the T_0 direction, N · m

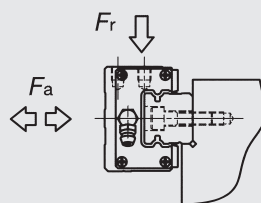
T_x : Static moment rating in the T_x direction, N · m

T_y : Static moment rating in the T_y direction, N · m

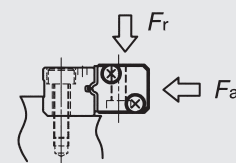
Table 8 Conversion factor for load direction



Linear Way and Linear Roller Way



Linear Way H Side Mounting type

Linear Way LM
Linear Way M
Linear Roller Way M

Series and size		Conversion factor		
		k_{0r}		k_{0a}
		$F_r \geq 0$	$F_r < 0$	
C-Sleeve Linear Way ML		1	1	1.19
C-Sleeve Linear Way ME		1	1	1
C-Sleeve Linear Way MH		1	1	1
C-Sleeve Linear Way MUL		1	1	1.19
Linear Way L	Ball retained type	1	1	1.19
	Ball non-retained type	1	1	0.84
Linear Way E	15~30	1	1	1
	35~45	1	1.19	1.28
Low Decibel Linear Way E		1	1	1
Linear Way H	8~12	1	1	1.19
	15~30	1	1	1
	35~65	1	1.19	1.28
	85	1	1.43	1.34
Linear Way H Side Mounting type	15~30	1	1	1
	35~65 (1)	1	1	0.78 0.93
Linear Way F	33~42	1	1	1
	69	1	1	1.19
Linear Way FH		1	1.19	1.28
Linear Way U	25, 30	1	1	1.19
	40~130	1	1	1
Linear Roller Way Super X		1	1	1
Linear Roller Way X		1	1	1
Linear Way LM		1	1	0.60
Linear Way M	1~ 5	1	1.19	0.64
	6	1	1.43	0.67
Linear Roller Way M		1	1	0.50

Note(1): The upper value in the k_{0a} column is the value when the load is applied to the right and the lower value is the value when the load is applied to the left in the above sketch.

Remark : F_r is the downward load. (When its value is smaller than zero, it is an upward load.)

Applied Load

In some series of Linear Motion Rolling Guides excluding Linear Way and Linear Roller Way, the dynamic load rating and static load rating corrected for the direction of the theoretical applied load are used for calculating the basic rating life and static safety factor. For details, see the description of each series.

● Load factor

Due to vibration and/or shocks during machine operation, the actual load on each rolling guide becomes greater in many cases than the theoretically calculated load. The applied load is generally calculated by multiplying the theoretically calculated load by the load factor indicated in Table 9.

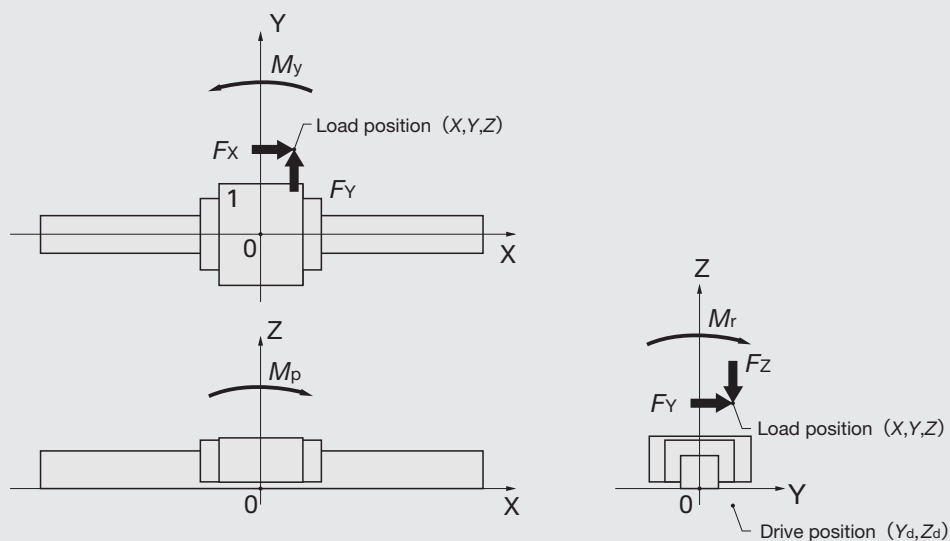
Table 9 Load factor

Operating conditions	f_w
Smooth operation free from vibration and/or shocks	1 ~1.2
Normal operation	1.2~1.5
Operation with vibration and/or shocks	1.5~3

● Calculation of load

Table 10.1 to Table 10.6 show calculation examples of the loads applied on Linear Motion Rolling Guides incorporated in machines or equipment.

Table 10.1 One track rail and one slide unit



Slide unit No.	Load applied on the slide unit				
	Downward load F_r	Lateral load F_a	Moment in the T_0 direction M_0	Moment in the T_x direction M_x	Moment in the T_y direction M_y
1	F_z	F_y	M_r	M_p	M_y

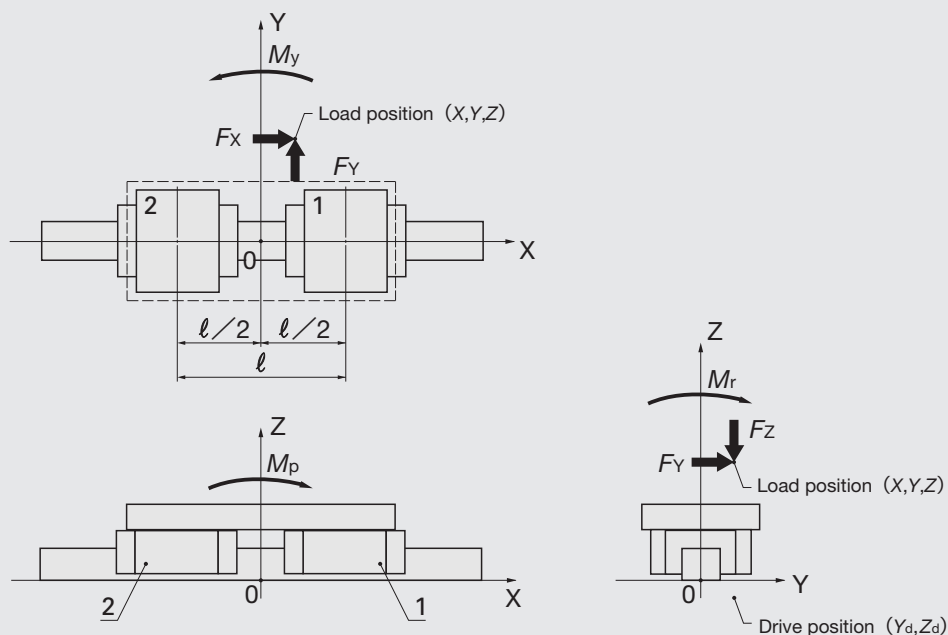
Remark : The moment loads in each direction M_r , M_p , and M_y can be obtained by the following formulae.

$$M_r = F_y Z + F_z Y$$

$$M_p = F_x (Z - Z_d) + F_z X$$

$$M_y = -F_x (Y - Y_d) + F_y X$$

Table 10.2 One track rail and two slide units



Slide unit No.	Load applied on the slide unit		
	Downward load F_r	Lateral load F_a	Moment in the T_0 direction M_0
1	$\frac{F_z}{2} + \frac{M_p}{l}$	$\frac{F_y}{2} + \frac{M_y}{l}$	$\frac{M_r}{2}$
2	$\frac{F_z}{2} - \frac{M_p}{l}$	$\frac{F_y}{2} - \frac{M_y}{l}$	$\frac{M_r}{2}$

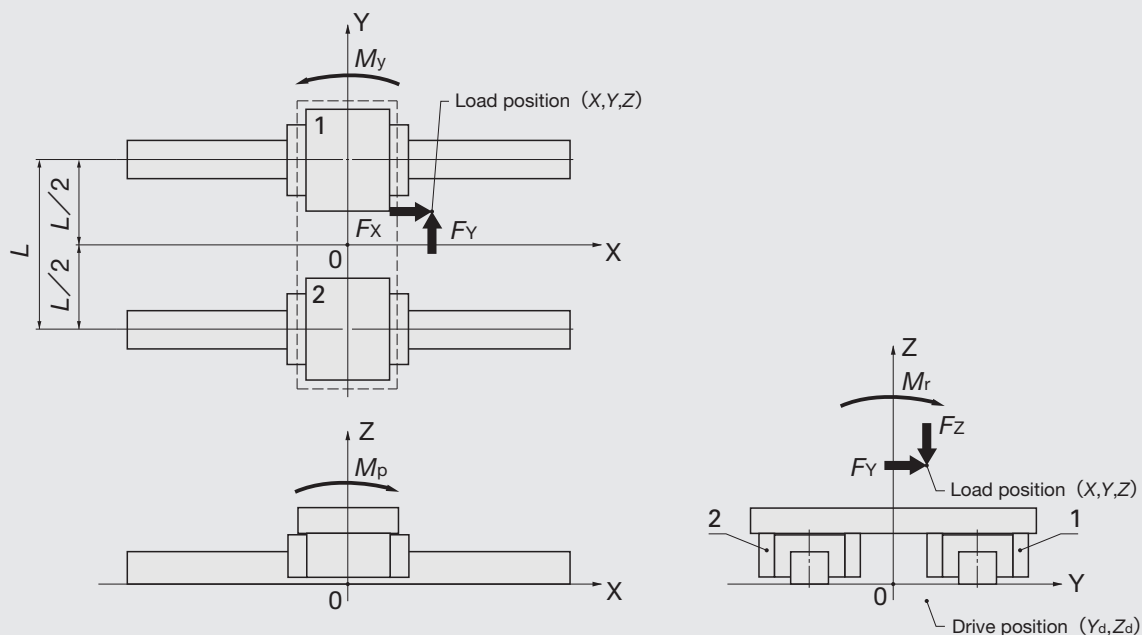
Remark : The moment loads in each direction M_r , M_p , and M_y can be obtained by the following formulae.

$$M_r = F_y Z + F_z Y$$

$$M_p = F_x (Z - Z_d) + F_z X$$

$$M_y = -F_x (Y - Y_d) + F_y X$$

Table 10.3 Two track rails and one slide unit on each track rail



Slide unit No.	Load applied on the slide unit			
	Downward load F_r	Lateral load F_a	Moment in the T_x direction M_x	Moment in the T_y direction M_y
1	$\frac{F_z}{2} + \frac{M_r}{L}$	$\frac{F_y}{2}$	$\frac{M_p}{2}$	$\frac{M_y}{2}$
2	$\frac{F_z}{2} - \frac{M_r}{L}$	$\frac{F_y}{2}$	$\frac{M_p}{2}$	$\frac{M_y}{2}$

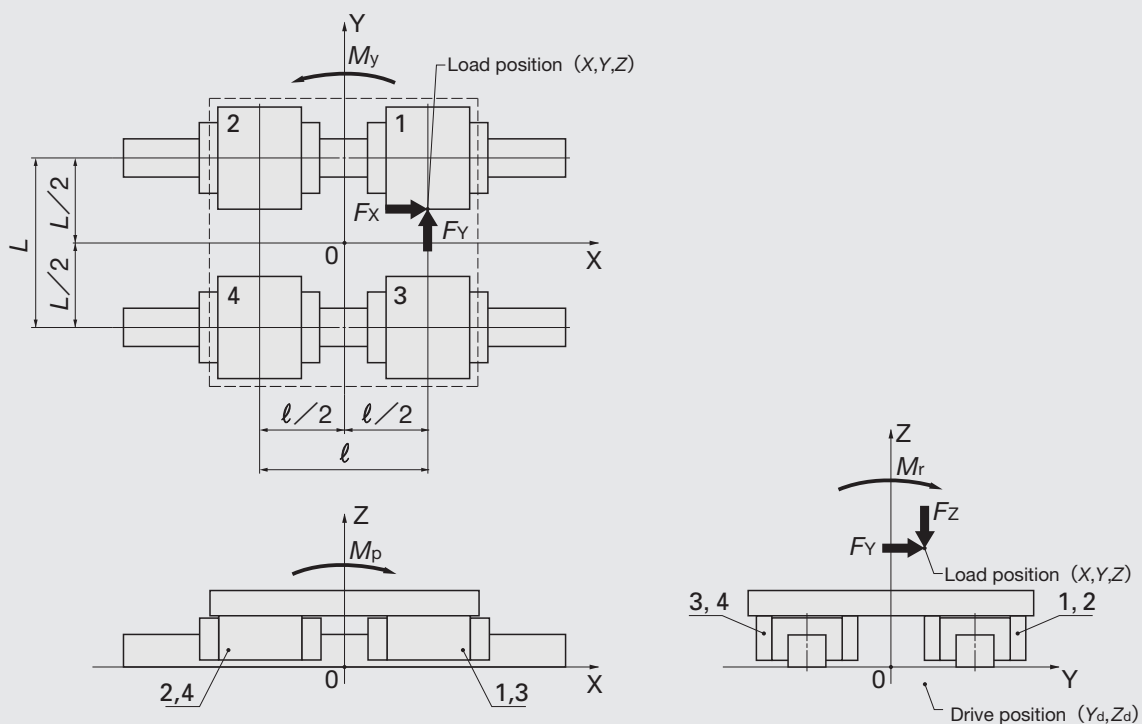
Remark : The moment loads in each direction M_r , M_p , and M_y can be obtained by the following formulae.

$$M_r = F_y Z + F_z Y$$

$$M_p = F_x (Z - Z_d) + F_z X$$

$$M_y = -F_x (Y - Y_d) + F_y X$$

Table 10.4 Two track rails and two slide units on each track rail



Slide unit No.	Load applied on the slide unit	
	Downward load F_r	Lateral load F_a
1	$\frac{F_z}{4} + \frac{M_r}{2L} + \frac{M_p}{2l}$	$\frac{F_y}{4} + \frac{M_y}{2l}$
2	$\frac{F_z}{4} + \frac{M_r}{2L} - \frac{M_p}{2l}$	$\frac{F_y}{4} - \frac{M_y}{2l}$
3	$\frac{F_z}{4} - \frac{M_r}{2L} + \frac{M_p}{2l}$	$\frac{F_y}{4} + \frac{M_y}{2l}$
4	$\frac{F_z}{4} - \frac{M_r}{2L} - \frac{M_p}{2l}$	$\frac{F_y}{4} - \frac{M_y}{2l}$

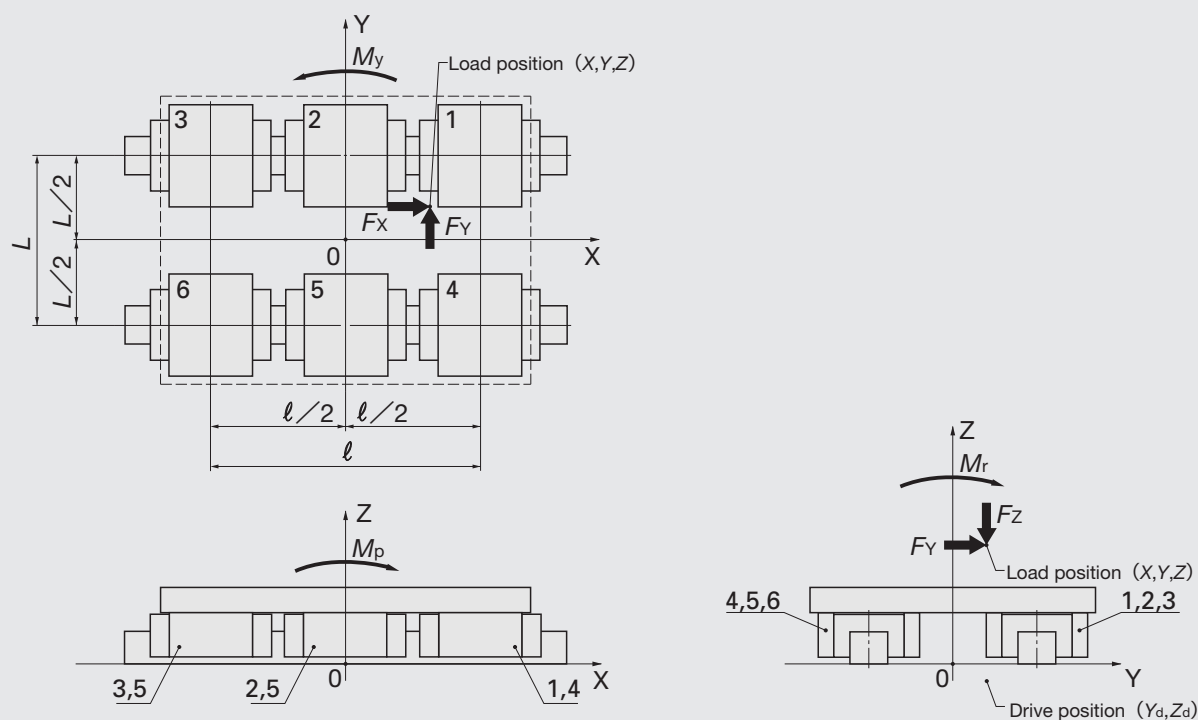
Remark : The moment loads in each direction M_r , M_p , and M_y can be obtained by the following formulae.

$$M_r = F_y Z + F_z Y$$

$$M_p = F_x (Z - Z_d) + F_z X$$

$$M_y = -F_x (Y - Y_d) + F_y X$$

Table 10.5 Two track rails and three slide units on each track rail



Slide unit No.	Load applied on the slide unit	
	Downward load F_r	Lateral load F_a
1	$\frac{F_z}{6} + \frac{M_r}{3L} + \frac{M_p}{2\ell}$	$\frac{F_y}{6} + \frac{M_y}{2\ell}$
2	$\frac{F_z}{6} + \frac{M_r}{3L}$	$\frac{F_y}{6}$
3	$\frac{F_z}{6} + \frac{M_r}{3L} - \frac{M_p}{2\ell}$	$\frac{F_y}{6} - \frac{M_y}{2\ell}$
4	$\frac{F_z}{6} - \frac{M_r}{3L} + \frac{M_p}{2\ell}$	$\frac{F_y}{6} + \frac{M_y}{2\ell}$
5	$\frac{F_z}{6} - \frac{M_r}{3\ell}$	$\frac{F_y}{6}$
6	$\frac{F_z}{6} - \frac{M_r}{3L} - \frac{M_p}{2\ell}$	$\frac{F_y}{6} - \frac{M_y}{2\ell}$

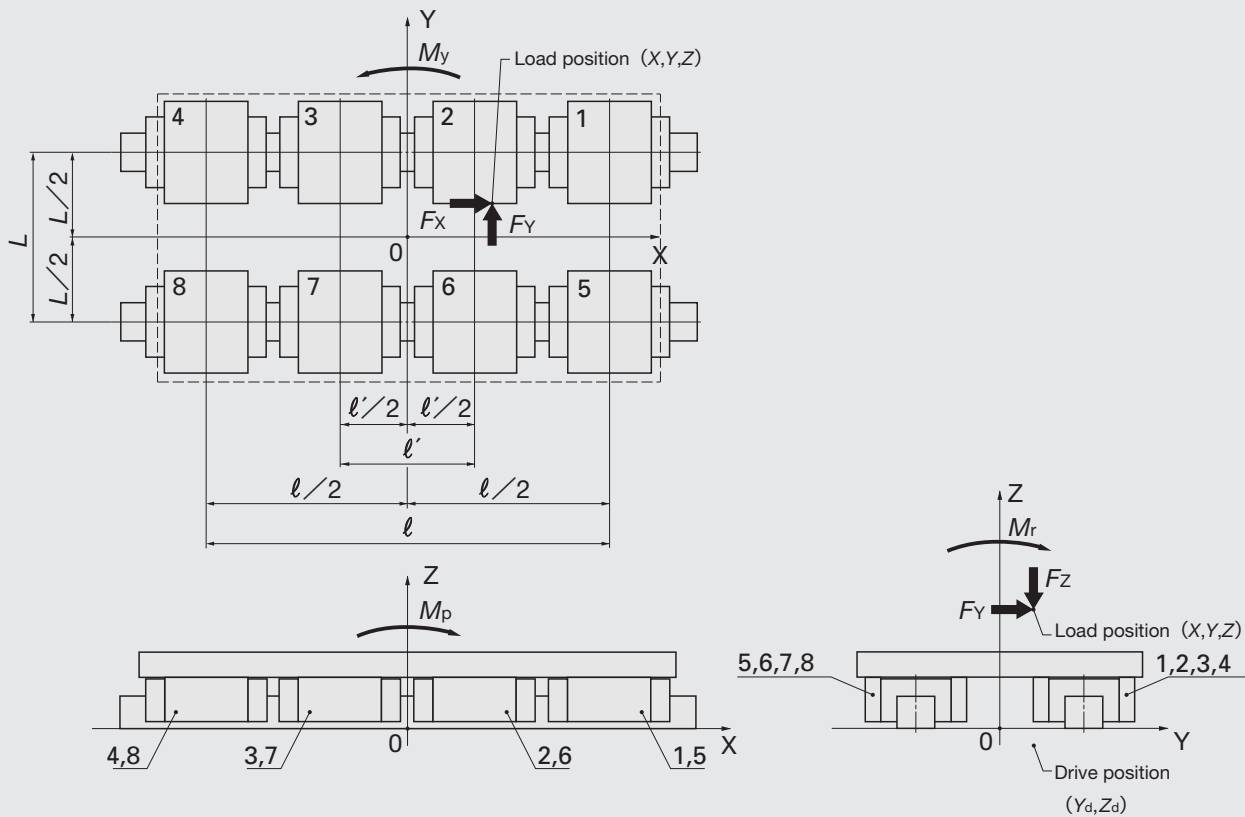
Remark : The moment loads in each direction M_r , M_p , and M_y can be obtained by the following formulae.

$$M_r = F_y Z + F_z Y$$

$$M_p = F_x (Z - Z_d) + F_z X$$

$$M_y = -F_x (Y - Y_d) + F_y X$$

Table 10.6 Two track rails and four slide units on each track rail



Slide unit No.	Load applied on the slide unit	
	Downward load F_r	Lateral load F_a
1	$\frac{F_z}{8} + \frac{M_r}{4L} + \frac{M_p}{2} \frac{l}{l^2 + l'^2}$	$\frac{F_y}{8} + \frac{M_y}{2} \frac{l}{l^2 + l'^2}$
2	$\frac{F_z}{8} + \frac{M_r}{4L} + \frac{M_p}{2} \frac{l'}{l^2 + l'^2}$	$\frac{F_y}{8} + \frac{M_y}{2} \frac{l'}{l^2 + l'^2}$
3	$\frac{F_z}{8} + \frac{M_r}{4L} - \frac{M_p}{2} \frac{l'}{l^2 + l'^2}$	$\frac{F_y}{8} - \frac{M_y}{2} \frac{l'}{l^2 + l'^2}$
4	$\frac{F_z}{8} + \frac{M_r}{4L} - \frac{M_p}{2} \frac{l}{l^2 + l'^2}$	$\frac{F_y}{8} - \frac{M_y}{2} \frac{l}{l^2 + l'^2}$
5	$\frac{F_z}{8} - \frac{M_r}{4L} + \frac{M_p}{2} \frac{l}{l^2 + l'^2}$	$\frac{F_y}{8} + \frac{M_y}{2} \frac{l}{l^2 + l'^2}$
6	$\frac{F_z}{8} - \frac{M_r}{4L} + \frac{M_p}{2} \frac{l'}{l^2 + l'^2}$	$\frac{F_y}{8} + \frac{M_y}{2} \frac{l'}{l^2 + l'^2}$
7	$\frac{F_z}{8} - \frac{M_r}{4L} - \frac{M_p}{2} \frac{l'}{l^2 + l'^2}$	$\frac{F_y}{8} - \frac{M_y}{2} \frac{l'}{l^2 + l'^2}$
8	$\frac{F_z}{8} - \frac{M_r}{4L} - \frac{M_p}{2} \frac{l}{l^2 + l'^2}$	$\frac{F_y}{8} - \frac{M_y}{2} \frac{l}{l^2 + l'^2}$

Remark : The moment loads in each direction M_r , M_p , and M_y can be obtained by the following formulae.

$$M_r = F_y Z + F_z Y$$

$$M_p = F_x (Z - Z_d) + F_z X$$

$$M_y = -F_x (Y - Y_d) + F_y X$$

● Mean equivalent load for fluctuating load

When the load on the rolling guide fluctuates, the mean equivalent load P_m is used in place of the load P in the life calculation formula.

The mean equivalent load is a constant load which gives the basic rating life equal to that for the fluctuating load. It is obtained by the following formula.

$$P_m = \sqrt[p]{\frac{1}{L} \int_0^L P_n^p dL} \dots\dots\dots (1.9)$$

- where, P_m : Mean equivalent load, N
- L : Total traveling distance, m
- P_n : Fluctuating load, N
- p : Exponent (Ball guide: 3, roller guide: 10/3)

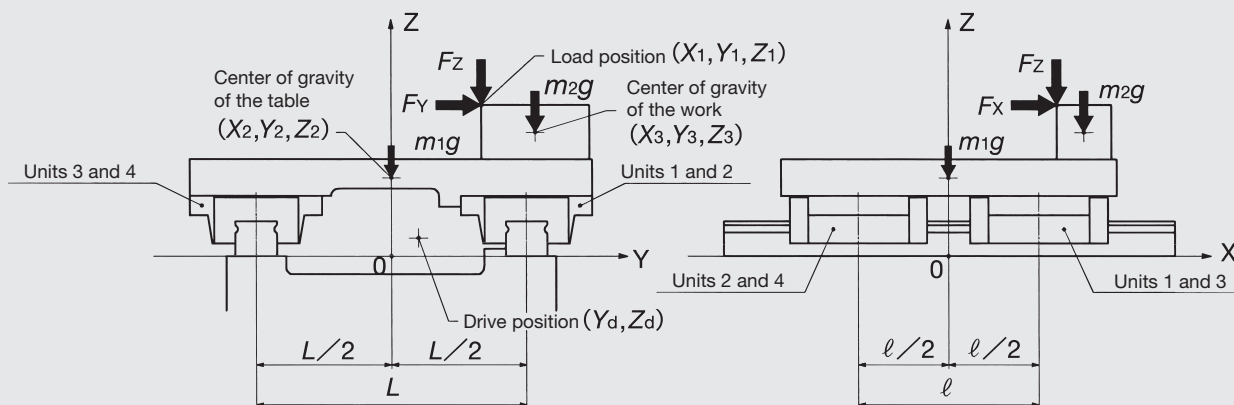
Table 11 gives calculation examples of the mean equivalent load for typical fluctuating loads.

Table 11 Mean equivalent load for fluctuating load		Calculation formula
Example		
① Step load		$P_m = \sqrt[p]{\frac{1}{L} (P_1^p L_1 + P_2^p L_2 + \dots + P_n^p L_n)}$ <p>where, L_1 : Total traveling distance under load P_1, m L_2 : Total traveling distance under load P_2, m L_n : Total traveling distance under load P_n, m</p>
② Monotonously changing load		$P_m \doteq \frac{1}{3} (2P_{max} + P_{min})$ <p>where, P_{max} : Maximum value of fluctuating load, N P_{min} : Minimum value of fluctuating load, N</p>

Examples of Load and Life Calculation

Example 1

Model No.	LWE 25 C2 R640 H	Work mass	$m_2 = 10 \text{ kg}$
Basic dynamic load rating	$C = 18100 \text{ N}$	Position of the center of gravity of work	$X_3 = 75 \text{ mm}$
Basic static load rating	$C_0 = 21100 \text{ N}$	$Y_3 = 80 \text{ mm}$
Applied load	$F_{X1} = 1000 \text{ N}$	$Z_3 = 68 \text{ mm}$
.....	$F_{Y1} = 2000 \text{ N}$	Number of strokes per minute	$n_1 = 5 \text{ cpm}$
.....	$F_{Z1} = 1000 \text{ N}$	Stroke length	$S = 100 \text{ mm}$
Load position	$X_1 = 60 \text{ mm}$	Distance between	$\ell = 100 \text{ mm}$
.....	$Y_1 = 50 \text{ mm}$	the slide units	
.....	$Z_1 = 83 \text{ mm}$	Distance between	$L = 150 \text{ mm}$
Table mass	$m_1 = 10 \text{ kg}$	the track rails	
Position of the center of gravity of table	$X_2 = 0 \text{ mm}$	Drive position	$Y_d = 150 \text{ mm}$
.....	$Y_2 = 0 \text{ mm}$	$Z_d = 10 \text{ mm}$
.....	$Z_2 = 43 \text{ mm}$		



The life and static safety factor under the above conditions are calculated as follows. Load factor f_w is assumed to be 1.5.

① Load on the slide unit

Moments that occur due to the applied load and the table weight act around each coordinate axis of the Linear Motion Rolling Guide as shown below.

$$M_r = \sum (F_Y Z) + \sum (F_Z Y) = F_{Y1} Z_1 + F_{Z1} Y_1 + m_1 g Y_2 + m_2 g Y_3$$

$$= 2000 \times 83 + 1000 \times 50 + 10 \times 9.8 \times 0 + 10 \times 9.8 \times 80 \doteq 224000$$

$$M_p = \sum \{F_X (Z - Z_d)\} + \sum (F_Z X) = F_{X1} (Z_1 - Z_d) + F_{Z1} X_1 + m_1 g X_2 + m_2 g X_3$$

$$= 1000 \times (83 - 10) + 1000 \times 60 + 10 \times 9.8 \times 0 + 10 \times 9.8 \times 75 \doteq 140000$$

$$M_y = -\sum \{F_X (Y - Y_d)\} + \sum (F_Y X) = -F_{X1} (Y_1 - Y_d) + F_{Y1} X_1$$

$$= -1000 \times (50 - 150) + 2000 \times 60 = 220000$$

where, M_r : Moment in the rolling direction, N · mm

M_p : Moment in the pitching direction, N · mm

M_y : Moment in the yawing direction, N · mm

The loads applied on each slide unit are calculated according to Table 10.4 on page 33.

$$\begin{aligned}
 F_{r1} &= \frac{\sum F_z}{4} + \frac{M_r}{2L} + \frac{M_p}{2\ell} = \frac{F_{z1} + m_1 g + m_2 g}{4} + \frac{M_r}{2L} + \frac{M_p}{2\ell} \\
 &= \frac{1000 + 10 \times 9.8 + 10 \times 9.8}{4} + \frac{224000}{2 \times 150} + \frac{140000}{2 \times 100} \doteq 1750 \\
 F_{r2} &= \frac{\sum F_z}{4} + \frac{M_r}{2L} - \frac{M_p}{2\ell} = \frac{F_{z1} + m_1 g + m_2 g}{4} + \frac{M_r}{2L} - \frac{M_p}{2\ell} \doteq 346 \\
 F_{r3} &= \frac{\sum F_z}{4} - \frac{M_r}{2L} + \frac{M_p}{2\ell} = \frac{F_{z1} + m_1 g + m_2 g}{4} - \frac{M_r}{2L} + \frac{M_p}{2\ell} \doteq 252 \\
 F_{r4} &= \frac{\sum F_z}{4} - \frac{M_r}{2L} - \frac{M_p}{2\ell} = \frac{F_{z1} + m_1 g + m_2 g}{4} - \frac{M_r}{2L} - \frac{M_p}{2\ell} \doteq -1150 \\
 F_{a1} = F_{a3} &= \frac{\sum F_y}{4} + \frac{M_y}{2\ell} = \frac{F_{y1}}{4} + \frac{M_y}{2\ell} \\
 &= \frac{2000}{4} + \frac{220000}{2 \times 100} = 1600 \\
 F_{a2} = F_{a4} &= \frac{\sum F_y}{4} - \frac{M_y}{2\ell} = \frac{F_{y1}}{4} - \frac{M_y}{2\ell} = -600
 \end{aligned}$$

② Basic rating life

The upward/downward load and lateral load are converted into the conversion loads by formulas (1.5) and (1.6) on page 25.

$$\begin{aligned}
 F_{re1} &= k_r |F_{r1}| = 1 \times 1750 = 1750 \\
 F_{re2} &= k_r |F_{r2}| = 1 \times 346 = 346 \\
 F_{re3} &= k_r |F_{r3}| = 1 \times 252 = 252 \\
 F_{re4} &= k_r |F_{r4}| = 1 \times 1150 = 1150 \\
 F_{ae1} &= k_a |F_{a1}| = 1 \times 1600 = 1600 \\
 F_{ae2} &= k_a |F_{a2}| = 1 \times 600 = 600 \\
 F_{ae3} &= k_a |F_{a3}| = 1 \times 1600 = 1600 \\
 F_{ae4} &= k_a |F_{a4}| = 1 \times 600 = 600
 \end{aligned}$$

where, k_r , k_a : Conversion factors for load direction (See Table 7 on page 26.)

The dynamic equivalent load is calculated by formula (1.7) on page 25.

$$\begin{aligned}
 P_1 &= X |F_{re1}| + Y |F_{ae1}| = 1 \times 1750 + 0.6 \times 1600 = 2710 \\
 P_2 &= X |F_{re2}| + Y |F_{ae2}| = 0.6 \times 346 + 1 \times 600 \doteq 808 \\
 P_3 &= X |F_{re3}| + Y |F_{ae3}| = 0.6 \times 252 + 1 \times 1600 \doteq 1750 \\
 P_4 &= X |F_{re4}| + Y |F_{ae4}| = 1 \times 1150 + 0.6 \times 600 = 1510
 \end{aligned}$$

The basic rating life of slide unit 1 receiving the largest dynamic equivalent load is calculated. The basic rating life is obtained by the formula given in Table 2 on page 21 while considering the load factor f_w .

$$L_1 = 50 \left(\frac{C}{f_w P_1} \right)^3 = 50 \times \left(\frac{18100}{1.5 \times 2710} \right)^3 \doteq 4410$$

$$L_{h1} = \frac{10^6 L_1}{2S n_1 \times 60} = \frac{10^6 \times 4410}{2 \times 100 \times 5 \times 60} \doteq 73500$$

As the result of the above calculation, the basic rating life is about 73500 hours.

③ Static safety factor

The static equivalent load is calculated from the upward/downward load and lateral load by formula (1.8) on page 27.

$$P_{01} = k_{0r} |F_{r1}| + k_{0a} |F_{a1}| = 1 \times 1750 + 1 \times 1600 = 3350$$

$$P_{02} = k_{0r} |F_{r2}| + k_{0a} |F_{a2}| = 1 \times 346 + 1 \times 600 = 946$$

$$P_{03} = k_{0r} |F_{r3}| + k_{0a} |F_{a3}| = 1 \times 252 + 1 \times 1600 = 1852$$

$$P_{04} = k_{0r} |F_{r4}| + k_{0a} |F_{a4}| = 1 \times 1150 + 1 \times 600 = 1750$$

where, k_{0r} , k_{0a} : Conversion factors for load direction (See Table 8 on page 28.)

The static safety factor of slide unit 1 receiving the largest static equivalent load is obtained. The static safety factor is calculated by formula (1.3) on page 24.

$$f_{s1} = \frac{C_0}{P_{01}} = \frac{21100}{3350} \doteq 6.3$$

As the result of the above calculation, the static safety factor is about 6.3.

Example 2

Model No.LWH 45 C2 R1050 B H

Basic dynamic load rating $C = 74600 \text{ N}$

Basic static load rating $C_0 = 80200 \text{ N}$

Static moment rating $T_0 = 1610 \text{ N} \cdot \text{m}$
in the T_0 direction

Table mass $m_1 = 100 \text{ kg}$

Position of the center of $X_1 = 50 \text{ mm}$

gravity of table $Y_1 = 0 \text{ mm}$

..... $Z_1 = 80 \text{ mm}$

Work mass $m_2 = 1000 \text{ kg}$

Position of the center of $X_2 = 200 \text{ mm}$

gravity of work $Y_2 = 10 \text{ mm}$

..... $Z_2 = 130 \text{ mm}$

Distance between $l = 200 \text{ mm}$
the slide units

Stroke length $S = 500 \text{ mm}$

Number of strokes per minute ... $n_1 = 6 \text{ cpm}$

Maximum travel speed $V = 100 \text{ mm/s}$

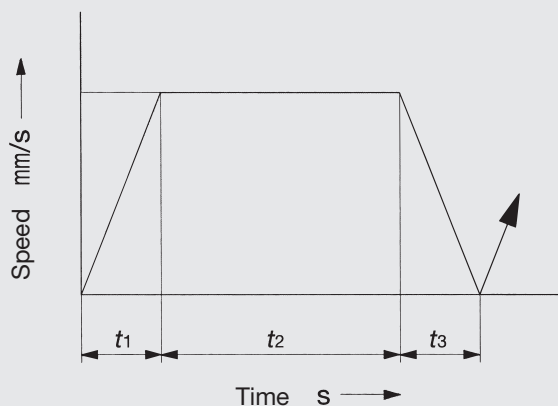
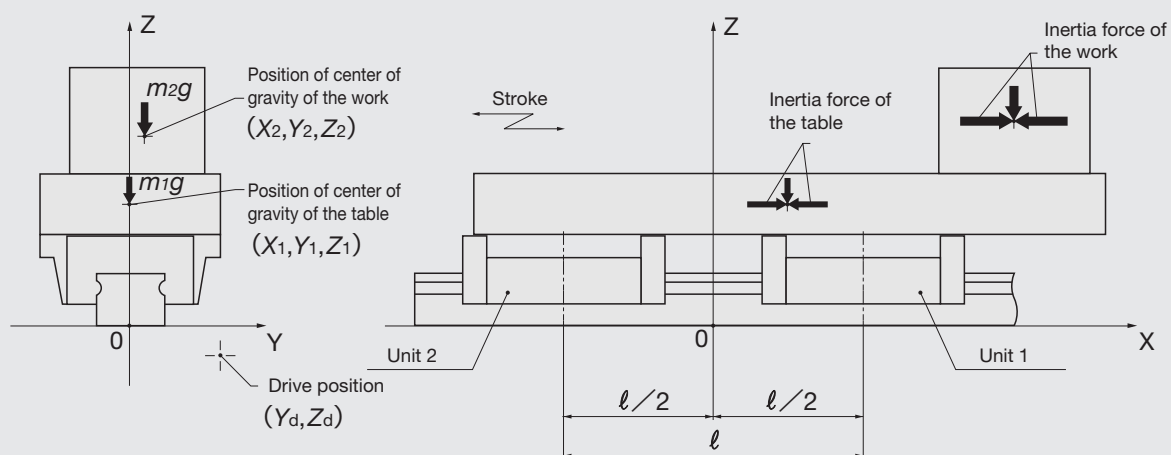
Time spent for acceleration ... $t_1 = 0.1 \text{ s}$

Time spent during constant ... $t_2 = 4.9 \text{ s}$
speed motion

Time spent for deceleration ... $t_3 = 0.1 \text{ s}$

Drive position $Y_d = 60 \text{ mm}$

..... $Z_d = -20 \text{ mm}$



The life and static safety factor under the above conditions are calculated as follows. Load factor f_w is assumed to be 1.5.

① Load on the slide unit

Moments that occur due to the applied load, the table weight and the inertia force act around each coordinate axis of the Linear Motion Rolling Guide as shown below.

• During acceleration at the start of motion

$$M_r = \sum (F_Y Z) + \sum (F_Z Y) = m_1 g Y_1 + m_2 g Y_2 = 100 \times 9.8 \times 0 + 1000 \times 9.8 \times 10 \doteq 98000$$

$$M_p = \sum \{F_X (Z - Z_d)\} + \sum (F_Z X)$$

$$= m_1 \frac{V}{1000 \times t_1} (Z_1 - Z_d) + m_2 \frac{V}{1000 \times t_1} (Z_2 - Z_d) + m_1 g X_1 + m_2 g X_2$$

$$= 100 \times \frac{100}{1000 \times 0.1} \times (80 + 20) + 1000 \times \frac{100}{1000 \times 0.1} \times (130 + 20)$$

$$+ 100 \times 9.8 \times 50 + 1000 \times 9.8 \times 200 \doteq 2169000$$

$$M_y = - \sum \{F_X (Y - Y_d)\} + \sum (F_Y X)$$

$$= - m_1 \frac{V_{\max}}{1000 \times t_1} (Y_1 - Y_d) - m_2 \frac{V_{\max}}{1000 \times t_2} (Y_2 - Y_d)$$

$$= - 100 \times \frac{100}{1000 \times 0.1} \times (0 - 60) - 1000 \times \frac{100}{1000 \times 0.1} \times (10 - 60) \doteq 56000$$

• During constant speed motion

$$M_r = m_1 g Y_1 + m_2 g Y_2 \doteq 98000$$

$$M_p = m_1 g X_1 + m_2 g X_2 \doteq 2010000$$

$$M_y = 0$$

• During deceleration at the end of motion

$$M_r = m_1 g Y_1 + m_2 g Y_2 \doteq 98000$$

$$M_p = - m_1 \frac{V_{\max}}{t_1} (Z_1 - Z_d) - m_2 \frac{V_{\max}}{t_1} (Z_2 - Z_d) + m_1 g X_1 + m_2 g X_2 \doteq 1850000$$

$$M_y = m_1 \frac{V_{\max}}{t_1} (Y_1 - Y_d) + m_2 \frac{V_{\max}}{t_2} (Y_2 - Y_d) \doteq - 56000$$

where, M_r : Moment in the rolling direction, N • mm
 M_p : Moment in the pitching direction, N • mm
 M_y : Moment in the yawing direction, N • mm

The loads applied on each slide unit are calculated according to Table 10.2 on page 31.

• During acceleration at the start of motion

$$F_{r1} = \frac{\sum F_Z}{2} + \frac{M_p}{\ell} = \frac{m_1 g + m_2 g}{2} + \frac{M_p}{\ell} = \frac{100 \times 9.8 + 1000 \times 9.8}{2} + \frac{2169000}{200} \doteq 16200$$

$$F_{r2} = \frac{\sum F_Z}{2} - \frac{M_p}{\ell} = \frac{m_1 g + m_2 g}{2} - \frac{M_p}{\ell} \doteq - 5460$$

$$F_{a1} = \frac{\sum F_Y}{2} + \frac{M_y}{\ell} = 280$$

$$F_{a2} = \frac{\sum F_Y}{2} - \frac{M_y}{\ell} = - 280$$

$$M_{01} = M_{02} = \frac{M_r}{2} = 49000$$

• During constant speed motion

$$F_{r1} = \frac{100 \times 9.8 + 1000 \times 9.8}{2} + \frac{2010000}{200} \doteq 15400$$

$$F_{r2} \doteq -4660$$

$$F_{a1} = F_{a2} = 0$$

$$M_{01} = M_{02} = 49000$$

• During deceleration at the end of motion

$$F_{r1} = \frac{100 \times 9.8 + 1000 \times 9.8}{2} + \frac{1850000}{200} \doteq 14600$$

$$F_{r2} \doteq -3860$$

$$F_{a1} \doteq -280$$

$$F_{a2} \doteq 280$$

$$M_{01} = M_{02} = 49000$$

② Basic rating life

The upward/downward load, lateral load, and moment in the T_0 direction are converted into the conversion loads by formulas (1.5) and (1.6) on page 25, and the dynamic equivalent load is calculated by formula (1.7).

• During acceleration at the start of motion

$$F_{re1} = k_r |F_{r1}| + \frac{C_0}{T_0} |M_{01}| = 1 \times 16200 + \frac{80200}{1610} \times \frac{49000}{1000} \doteq 18600$$

$$F_{re2} = 1 \times 5460 + \frac{80200}{1610} \times \frac{49000}{1000} \doteq 7900$$

$$F_{ae1} = k_a |F_{a1}| = 1.28 \times 280 \doteq 358$$

$$F_{ae2} = 1.28 \times 280 \doteq 358$$

$$P_1 = X F_{re1} + Y F_{ae1} = 1 \times 18600 + 0.6 \times 358 \doteq 18800$$

$$P_2 = X F_{re2} + Y F_{ae2} = 1 \times 7900 + 0.6 \times 358 \doteq 8110$$

• During constant speed motion

$$F_{re1} = 1 \times 15400 + \frac{80200}{1610} \times \frac{49000}{1000} \doteq 17800$$

$$F_{re2} = 1 \times 4660 + \frac{80200}{1610} \times \frac{49000}{1000} \doteq 7100$$

$$F_{ae1} = 0$$

$$F_{ae2} = 0$$

$$P_1 = 17800$$

$$P_2 = 7100$$

• During deceleration at the end of motion

$$F_{re1} = 1 \times 14600 + \frac{80200}{1610} \times \frac{49000}{1000} \doteq 17000$$

$$F_{re2} = 1 \times 3860 + \frac{80200}{1610} \times \frac{49000}{1000} \doteq 6300$$

$$F_{ae1} = 1.28 \times 280 \doteq 358$$

$$F_{ae2} = 1.28 \times 280 \doteq 358$$

$$P_1 = 1 \times 17000 + 0.6 \times 358 \doteq 17200$$

$$P_2 = 1 \times 6300 + 0.6 \times 358 \doteq 6510$$

Because the dynamic equivalent load changes stepwise along the traveling distance, the average load is calculated from ① in Table 11 on page 36.

$$P_{m1} = \sqrt[3]{\frac{1}{S} \left(P_1^3 \frac{V_{\max} t_1}{2} + P_2^3 V_{\max} t_2 + P_3^3 \frac{V_{\max} t_3}{2} \right)}$$

$$= \left\{ \frac{1}{500} \times \left(18800^3 \times \frac{100 \times 0.1}{2} + 17800^3 \times 100 \times 4.9 + 17200^3 \times \frac{100 \times 0.1}{2} \right) \right\}^{1/3} \doteq 17800$$

$$P_{m2} = \left\{ \frac{1}{500} \times \left(8110^3 \times \frac{100 \times 0.1}{2} + 7100^3 \times 100 \times 4.9 + 6510^3 \times \frac{100 \times 0.1}{2} \right) \right\}^{1/3} \doteq 7110$$

The basic rating life of slide unit 1 receiving the largest dynamic equivalent load is calculated. The basic rating life is obtained by the formula given in Table 2 on page 21 while considering the load factor f_w .

$$L_1 = 50 \left(\frac{C}{f_w P_{m1}} \right)^3 = 50 \left(\frac{74600}{1.5 \times 17800} \right)^3 \doteq 1090$$

$$L_{h1} = \frac{10^6 L_1}{2S n_1 \times 60} = \frac{10^6 \times 1090}{2 \times 500 \times 6 \times 60} \doteq 3030$$

As the result of the above calculation, the basic rating life is about 3030 hours.

③ Static safety factor

The static equivalent load is calculated from the upward/downward load and lateral load by formula (1.8) on page 27.

• During acceleration at the start of motion

$$P_{01} = k_{0r} |F_{r1}| + k_{0a} |F_{a1}| + \frac{C_0}{T_0} |M_{01}| = 1 \times 16200 + 1.28 \times 280 + \frac{80200}{1610} \times \frac{49000}{1000} \doteq 19000$$

$$P_{02} = k_{0r} |F_{r2}| + k_{0a} |F_{a2}| + \frac{C_0}{T_0} |M_{02}| = 1.19 \times 5460 + 1.28 \times 280 + \frac{80200}{1610} \times \frac{49000}{1000} \doteq 9300$$

• During constant speed motion

$$P_{01} = 1 \times 15400 + 1.28 \times 0 + \frac{80200}{1610} \times \frac{49000}{1000} \doteq 19000$$

$$P_{02} = 1.19 \times 4660 + 1.28 \times 0 + \frac{80200}{1610} \times \frac{49000}{1000} \doteq 7990$$

• During deceleration at the end of motion

$$P_{01} = 1 \times 14600 + 1.28 \times 280 + \frac{80200}{1610} \times \frac{49000}{1000} \doteq 17400$$

$$P_{02} = 1.19 \times 3860 + 1.28 \times 280 + \frac{80200}{1610} \times \frac{49000}{1000} \doteq 7390$$

The static safety factor of slide unit 1 during acceleration at the start receiving the largest static equivalent load is calculated. The static safety factor is obtained by formula (1.3) on page 24.

$$f_s = \frac{C_0}{P_{01}} = \frac{80200}{19000} \doteq 4.2$$

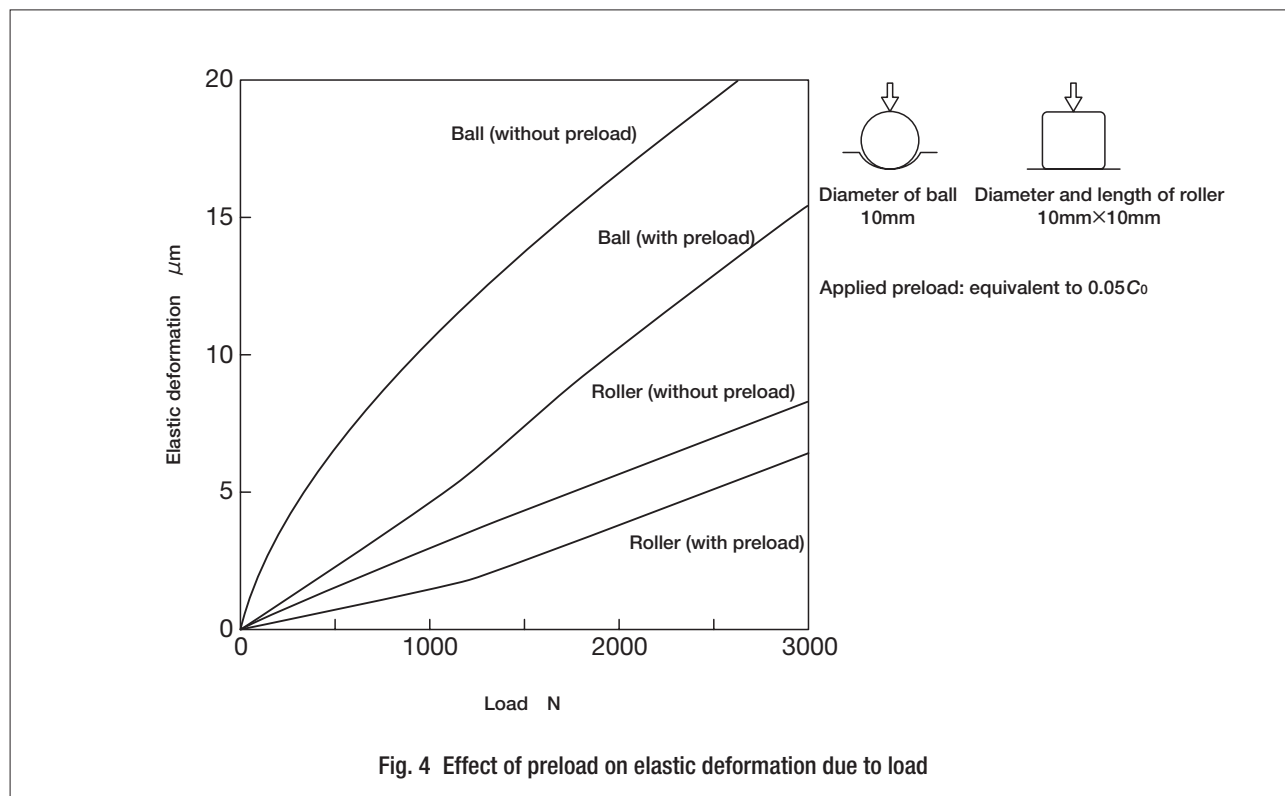
As the result of the above calculation, the static safety factor is about 4.2.

Preload

● Purpose of preload

A clearance may be given to linear motion rolling guides, when the load is small and very smooth motion is required. However, in many cases, preload is preferred, because it eliminates play in the guide mechanism and increases the rigidity of rolling guide.

Preload is given by applying an internal stress, in advance, to the contact area between raceways and rolling elements. When a load is applied on the preloaded rolling guide, elastic deformation due to the load is smaller compared to that without preload by the effect of this internal stress, and the rigidity of rolling guide is increased. (See Fig. 4.)



● Setting preload

The preload amount is determined by considering the characteristics of the machines and equipment on which the rolling guide is mounted and the nature of load acting on the rolling guide. The standard amount of preload for linear motion rolling guides is, in general, approx. 1/3 of load when the rolling elements are balls (steel balls) and approx. 1/2 of load when they are rollers (cylindrical rollers). If the rolling guides are required to have very high rigidity to withstand vibration or fluctuating load, a larger preload may be applied.

Cautions on Preload Selection

Even when high rigidity must be obtained, excessive preload should be avoided, because it will produce an excessive stress between rolling elements and raceways, and eventually result in short life of rolling guides. It is important to apply a proper amount of preload, considering the operating conditions. When linear motion rolling guides must be used with a large preload, consult **IKO** for further information. Linear Bushing and Stroke Rotary Bushing should never be given a large amount of preload.

Friction

● Friction of Linear Motion Rolling Guides

The static friction (start-up friction) of linear motion rolling guides is much lower than that of conventional plain guides. Also, the difference between static friction and dynamic friction is small, and friction varies little when velocity changes. These are excellent features of linear motion rolling guides, and account for their ability to reduce power consumption, suppress operating temperature rise, and increase traveling speed.

Since frictional resistance and variation are small, high speed response to motion commands and high accuracy positioning can be achieved.

● Friction coefficient

The frictional resistance of rolling guides varies with their type, load, traveling speed and lubricant used. Generally speaking, lubricants or seals are major factors in determining the frictional resistance in light load and high speed applications, while the magnitude of load is the major factor in heavy load and low speed applications. The frictional resistance of rolling guides actually depends on various factors, but the following formula is used for practical purposes.

$$F = \mu P \dots\dots\dots (1.10)$$

where, F : Frictional resistance, N

μ : Dynamic friction coefficient

P : Load, N

For sealed guides, seal resistance is added to the above value, but this resistance varies greatly with the interference amount of seal lip and lubrication conditions.

Where the methods of lubrication and mounting are correct and the load is moderate, the friction coefficients of linear motion rolling guide in operation are within the range shown in Table 12. Generally, friction coefficient is large under small load. Fig. 5 gives typical examples of this relationship.

Table 12 Friction coefficient

Series	Dynamic friction coefficient $\mu^{(1)}$
Linear Way	0.0040~0.0060
Linear Roller Way	0.0020~0.0040
Linear Ball Spline	0.0020~0.0040
Crossed Roller Way	0.0010~0.0030
Precision Linear Slide	0.0010~0.0020
Linear Bushing	0.0020~0.0030
Stroke Rotary Bushing	0.0006~0.0012
Roller Way	0.0020~0.0040
Flat Roller Cage	0.0010~0.0030

Note(1) : These friction coefficients do not include the seal friction.

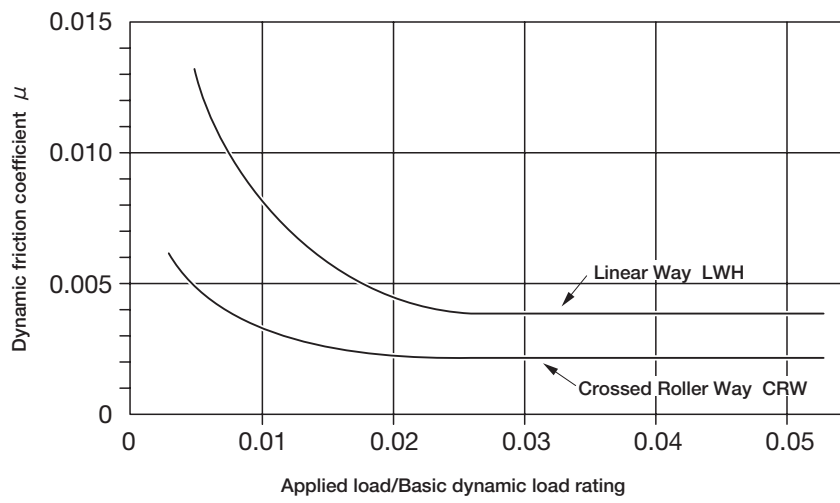


Fig. 5 Relationship between load and friction coefficient

Lubrication

● Purpose of lubrication

The purpose of lubrication for linear motion rolling guides is to keep raceways, rolling elements, etc. from direct metal-to-metal contact, and thereby reduce friction and wear and prevent heat generation and seizure. When an adequate oil film is formed between the raceways and rolling elements at the rolling contact area, the contact stress due to load can be moderated. Lubrication is important for ensuring the reliability of linear motion rolling guides.

● Selection of lubricant

To obtain the full performance of linear motion rolling guides, it is necessary to select an appropriate lubricant and lubrication method by considering the type, load and speed of each linear motion rolling guide. However, as compared with plain guides, lubrication of linear motion rolling guides is much simpler. Only a small amount of lubricant is needed and the replenishment interval is longer, so maintenance can be greatly reduced. Oil and grease are the two most commonly used lubricants for linear motion rolling guides.

● Grease lubrication

For grease lubrication of linear motion rolling guides, lithium-soap base grease (Consistency No.2 of JIS) is commonly used. For rolling guides operating under heavy load conditions, grease containing extreme pressure additives is recommended.

In clean and high-vacuum environments, where low dust generation performance and low vaporization characteristics are required, greases containing a synthetic base oil or a soap other than the lithium-soap base are used. For applications in these environments, due consideration is necessary to select a grease type that is suitable for the special operating conditions and achieves satisfactory lubrication performance at the same time.

Grease Replenishment Interval

The quality of any grease will gradually deteriorate as operating time passes. Therefore, periodic relubrication is necessary. The relubrication interval varies depending on the operating conditions of the rolling guides. A six month interval is generally recommended and, if the machine operation consists of reciprocating motions with many cycles and long strokes, relubrication every three months is recommended.

Grease Replenishment Method

New grease must be supplied through a grease feed device such as a grease nipple until old grease is discharged. After grease is replenished, running in is performed and excess grease will be discharged from the inside of rolling guide. Discharged grease must then be removed before starting the operation.

The amount of grease required for standard replenishment is about 1/3 to 1/2 of the free space inside the linear motion rolling guide. When grease is supplied from a grease nipple for the first time, there will be grease lost in the replenishment path. The amount lost should be taken into consideration.

Generally, immediately after grease is replenished, frictional resistance tends to increase. If running-in is performed for 10 to 20 reciprocating cycles after excess grease is discharged, frictional resistance becomes small and stable.

For applications where low frictional resistance is required, the replenishment amount of grease may be reduced, but it must be kept to an appropriate level so as not to give a bad influence on the lubrication performance.

Mixing of Different Grease Types

Mixing different types of greases may result in changing the properties of base oil, soap base, or additives used, and, in some cases, severely deteriorate the lubrication performance or cause a trouble due to chemical changes of additives. Old grease should therefore be removed thoroughly before filling with new grease.

Grease Brands for Linear Motion Rolling Guides

Name		Base oil	Thickener	Service range °C	Remarks
ALVANIA GREASE EP2	SHELL	Mineral oil	Lithium	-20~+110	General applications, contains extreme pressure additives
ALVANIA GREASE S2	SHELL	Mineral oil	Lithium	-25~+120	General applications
MULTEMP PS NO.2	KYODO OIL	Synthetic oil, mineral oil	Lithium	-50~+130	General applications
IJK CLEAN ENVIRONMENT GREASE CG2	NIPPON THOMPSON	Synthetic oil	Urea	-40~+200	For clean environment, long life
IJK CLEAN ENVIRONMENT GREASE CGL	NIPPON THOMPSON	Synthetic oil, mineral oil	Lithium/Calcium	-30~+120	For clean environment, Low friction
DEMNUM GREASE L-200 (1)	DAIKIN	Synthetic oil	Ethylene tetra-fluoride	-60~+300	For clean environment
FOMBLIN YVAC3 (1)	AUSIMONT	Synthetic oil	Ethylene tetra-fluoride	-20~+200	For vacuum environment
6459 GREASE N	SHELL	Mineral oil	Poly-urea	—	Fretting-proof

Note(1) : Set a little shorter replenishment interval.

Remark : When using a grease type, check the selected type according to the manufacturer's catalog of grease.

For applications other than those described above, consult **IJK** for further information.

● Oil lubrication

For oil lubrication, heavy loads require a higher oil viscosity and higher operating speeds require a lower viscosity. Generally, for linear motion rolling guides operating under heavy loads, lubrication oil with a viscosity of about 68 mm²/s is used. For linear motion rolling guides under light loads at high speeds, lubrication oil with a viscosity of about 13 mm²/s is used.

Operating Environment

● Operating temperature

When linear motion rolling guides are operated at a temperature exceeding 150°C, the basic dynamic load rating must be corrected by using the temperature factor.

Some linear motion rolling guides comprise synthetic resin components. When they are used at high temperature, these components may not endure the high temperature. The maximum operating temperature for these linear motion rolling guides is 120°C. For continuous operation, they can be operated at temperatures not exceeding 100°C. If the operating temperature exceeds 100°C, consult **IKO** for further information.

● Dust protection

Purpose of dust protection

To obtain the full performance of linear motion rolling guides, it is important to protect them from the intrusion of dust and other harmful foreign matter. Select an effective sealing or dust-protection device to withstand any operating conditions that might be imposed.

● Method of dust protection

Sealed types are available in some linear motion rolling guide series.

Linear Way and Linear Roller Way have end seals as a standard specification. In addition, double seals or scrapers are provided as special specifications for improvement in dust protection performance. Caps for covering the track rail mounting holes and a rail cover plate (Fig. 6) for covering the top surface of the track rail will further increase the reliability for dust protection.

However, when a large amount of dust or foreign particles are floating in air, or when large foreign substances such as chips or sand fall onto raceways, dust protection becomes difficult. In this case, it is recommended to cover the entire guide mechanism with bellows (Fig. 7), telescopic shields, etc.

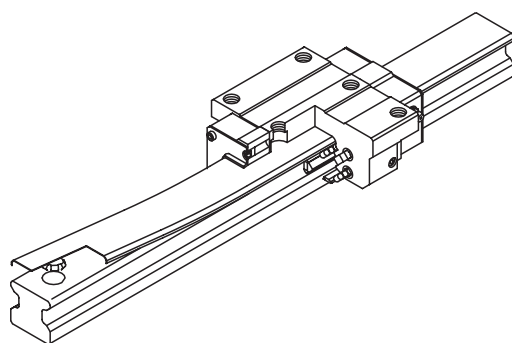


Fig. 6 Rail cover plate

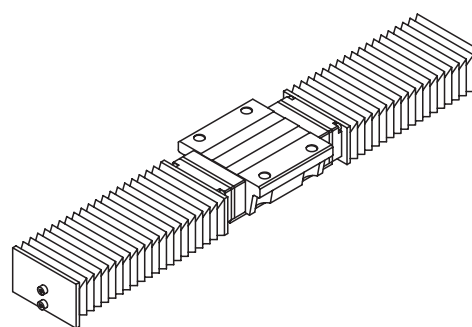


Fig. 7 Bellows

Linear Way *Linear Roller Way*



LINEAR WAY LINEAR ROLLER WAY

Description of Linear Way and Linear Roller Way ... 52

C-Sleeve Linear Way ML A-2

C-Sleeve Linear Way ME A-18

C-Sleeve Linear Way MH A-34

C-Sleeve Linear Way MUL A-52

Linear Way L B-2

Linear Way E B-28

Low Decibel Linear Way E B-54

Linear Way H B-72

Linear Way F B-108

Linear Way U B-128

Linear Way Module B-140

Linear Roller Way Super X C-2

Linear Roller Way X C-34

Linear Roller Way H C-46

Features of Linear Way and Linear Roller Way

IKO Linear Way and Linear Roller Way are linear motion rolling guides which achieve endless linear motion of a slide unit along a track rail by re-circulating rolling elements inside the slide unit. Slide units and track rails are fixed on machines and equipment with mounting bolts, and a highly accurate linear motion can readily be obtained.

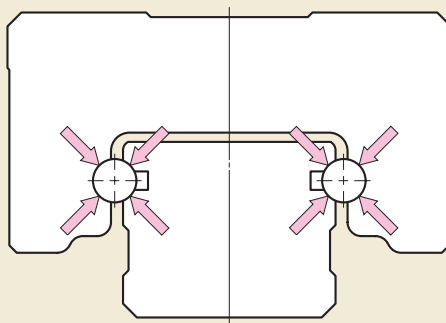
As compared with other types of linear motion rolling guides, Linear Way and Linear Roller Way have the following features.

1 Lower manufacturing cost

It is not necessary to prepare a guide plane on machines and equipment by heat treatment and surface finishing. A large reduction in man-hour and cost can be achieved in the design and manufacturing of linear motion guide mechanism.

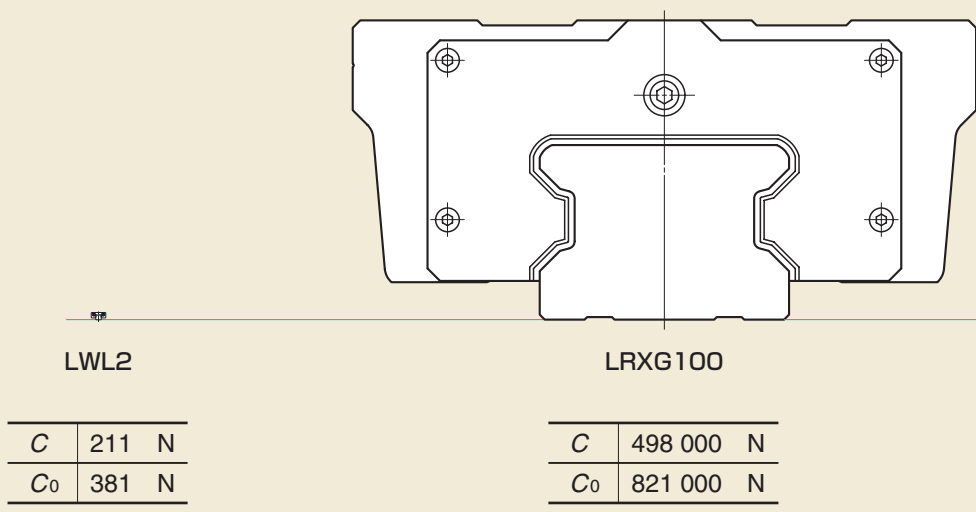
2 Large load capacity in any directions

Loads in any directions can be received without making a complicated guide structure. A linear motion rolling guide mechanism can readily be obtained that can withstand moment load and complex load.



3 Wide range of selections for high degree of design freedom

A wide range of variations in types and sizes makes it possible to select a model most suitable for the operating conditions. Size variations range from track rail width 2 mm to 100 mm.



4 High rigidity for achieving compact design of machines and equipment

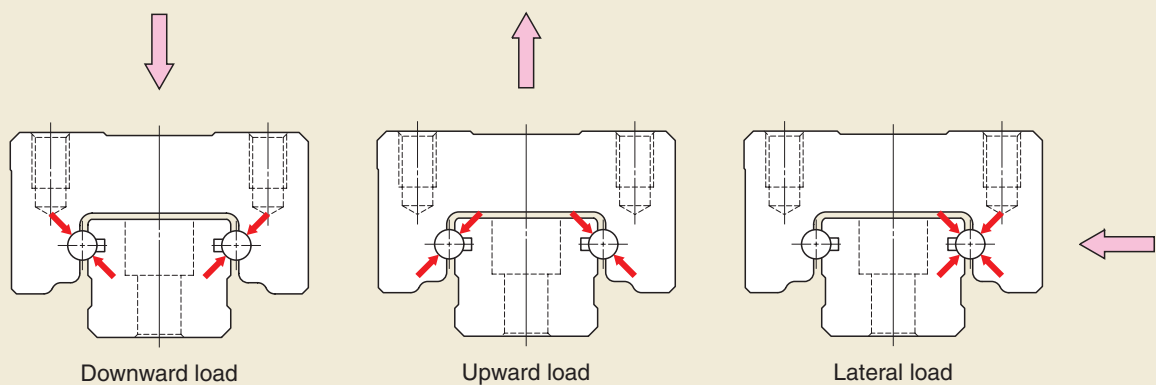
Because the track rail is firmly fixed on the mating mounting surface over its total length, high rigidity can be obtained in comparison with shaft type guides which may be affected by shaft bending.

Features of Linear Way

IKO Linear Way features the design in which large diameter steel balls are arranged in two rows with each ball making four-point contact with the raceways, and has following advantages over other types.

1 Large load capacity in any directions

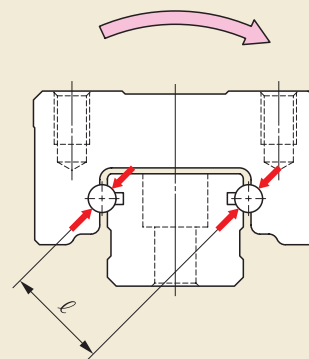
The simple two-row raceway design makes it possible to incorporate large diameter steel balls for high load ratings. Loads in any directions can almost uniformly be received.



Load acting on rolling elements in each loading direction

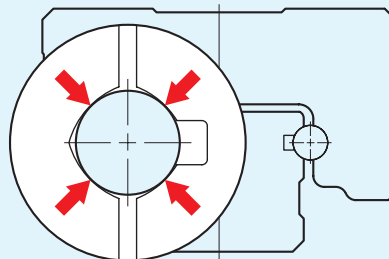
2 Excellent strength against moment load and complex load

A large moment load capacity can be obtained, since the moment arm distance ℓ is long as shown in the figure. Load capacity under complex load is also large.



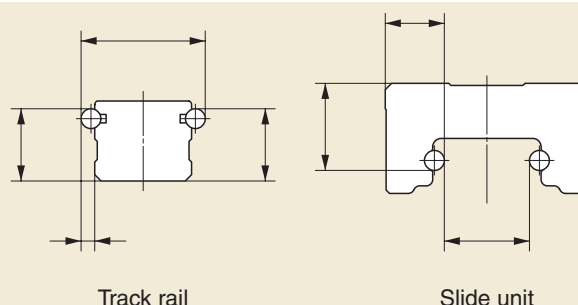
When T_0 moment is applied

Four-points contact structure



3 High accuracy with simple structure

The simple two-row raceway design minimizes the number of potential errors in manufacturing and measurement, and high dimensional accuracy of raceways can be obtained. Interchangeable specification products can be manufactured benefiting from this feature by rigorous control of the dimensional accuracy of individual slide units and track rails.



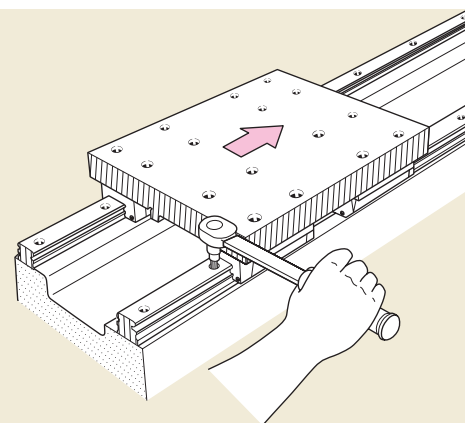
Measurement of raceway accuracy

4 Smooth operation and low noise

Smooth and quiet operation is achieved, because all raceway contours are precisely ground and the ball re-circulating routes are designed based on the analysis of optimal functional characteristics.

5 Accurate and simple installation

Accurate parallel mounting of two track rails can be made by aligning the attendant rail to the datum rail. Because the rigidity in the lateral direction is high, frictional resistance of poorly aligned two rails will steeply increase giving a warning so that misalignment can be easily detected and corrected. Potential troubles due to misalignment during actual operation such as short life, degradation in guide accuracy can therefore be eliminated in advance. It is easy to butt-joint track rails to form longer lengths.

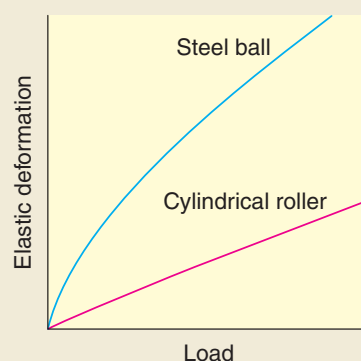


Features of Linear Roller Way

IKO Linear Roller Way features the design in which four rows of cylindrical rollers are arranged in a highly rigid casing in a well balanced form. The rollers in each row are arranged in parallel to each other and not crossed alternately. These linear motion rolling guides achieve smooth motion with high rigidity, high accuracy and high reliability.

1 Super high rigidity

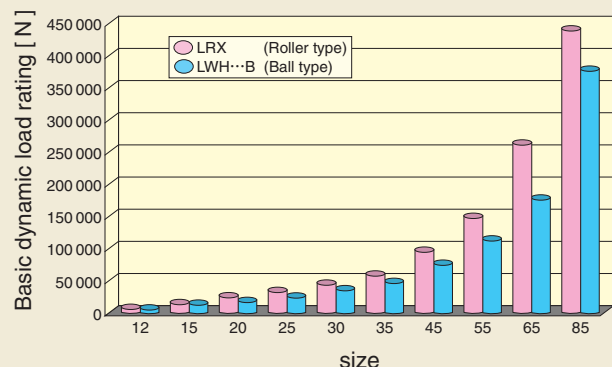
Very high rigidity is achieved owing to the excellent elastic deformation characteristics of cylindrical rollers which give smaller elastic deformation under load as compared with steel balls, and, in addition, to a large number of cylindrical rollers incorporated in the slide unit.



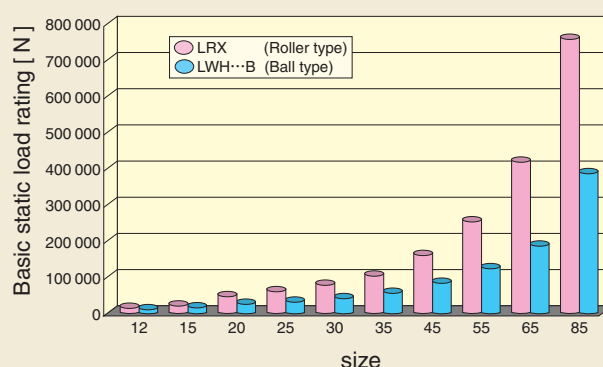
Comparison of rigidity between cylindrical roller and steel ball

2 Super high load capacity

Cylindrical rollers give a larger contact area compared to steel balls, so higher load capacity is attainable when cylindrical rollers are used. Incorporating a large number of cylindrical rollers, Linear Roller Way has a very high load rating.



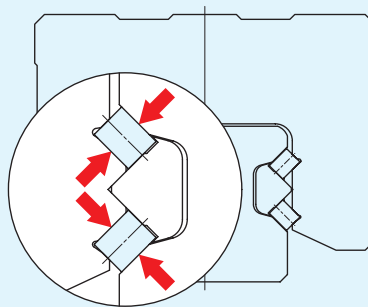
Comparison of basic dynamic load ratings



Comparison of basic static load ratings

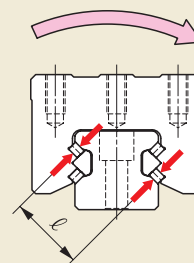
Remark : The calculation formulas of rating life are different for roller type and ball type. Generally, if the values of basic dynamic load rating are the same, the life of the roller type is longer.

Parallel arrangement



3 Excellent load balance and moment load capacity

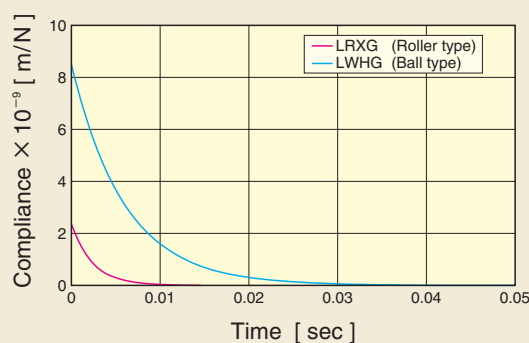
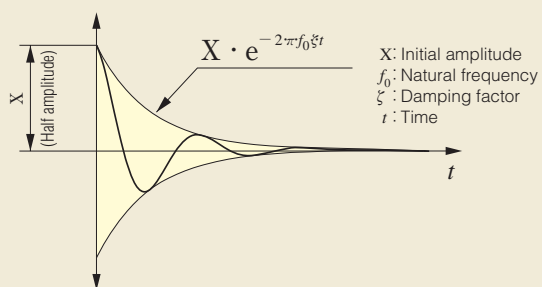
Cylindrical rollers are arranged in a well-balanced form so that they can uniformly withstand loads in all directions. In addition, rows are arranged in such a way that the moment arm distance ℓ between the loading points is large under T_0 moment. A high moment load capacity can be obtained.



When T_0 moment is applied

4 Excellent vibration characteristics

As compared with ball types of the same size, these guides have higher rigidity and give smaller deformation under repeated fluctuating load. The natural frequency is high, and the vibration damping time is short.



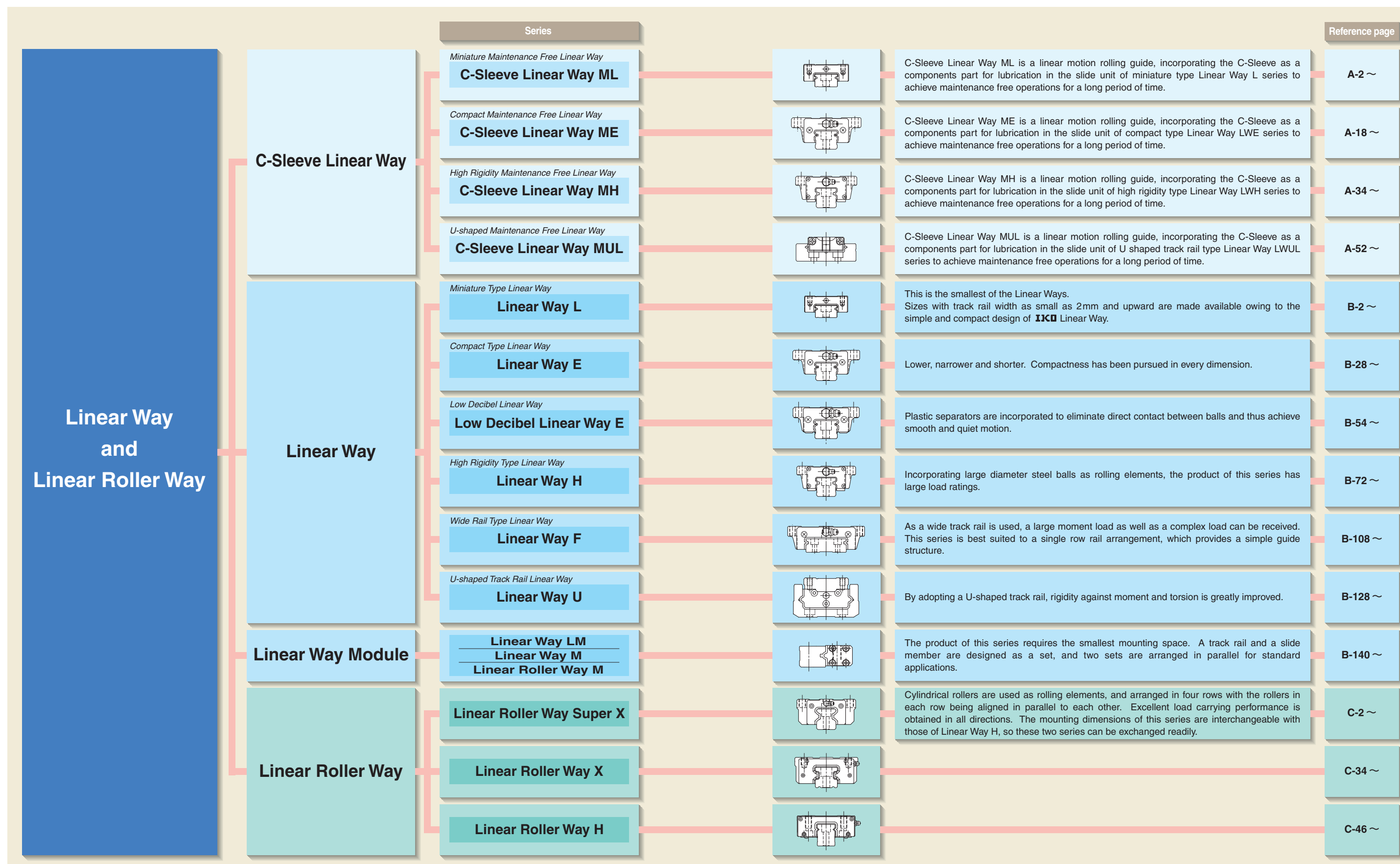
Vibration damping curve

5 High running performance

The optimum design based on the analysis of roller re-circulation behavior achieves smooth and quiet motion.

Remark : Features mentioned above are those of Linear Roller Way Super X and Linear Roller Way X which are the typical roller guides.

Series of Linear Way and Linear Roller Way



Maintenance Free Linear Motion Rolling Guide Series

This Maintenance Free series can reduce the man-hours for troublesome lubrication control and achieve long-term maintenance free operations. In Maintenance Free series, Miniature type C-Sleeve Linear Way ML, Compact type C-Sleeve Linear Way ME, High Rigidity type C-Sleeve Linear Way MH, U-shaped track rail type C-Sleeve Linear Way MUL and Linear (Roller) Ways with self lubrication Capillary plate are available.

Wide variation of C-Sleeve Linear Way

Miniature type

C-Sleeve Linear Way ML ML · MLF

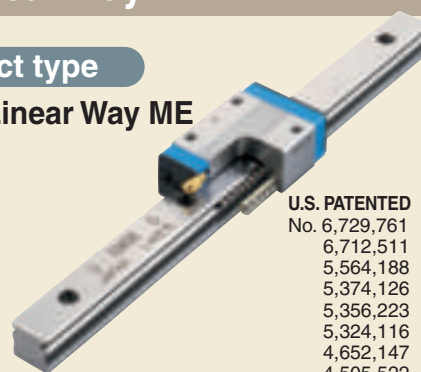
U.S. PATENTED
No. 6,729,761
6,712,511
5,435,649
5,289,779
5,250,126
4,652,147
4,505,522



Compact type

C-Sleeve Linear Way ME ME

U.S. PATENTED
No. 6,729,761
6,712,511
5,564,188
5,374,126
5,356,223
5,324,116
4,652,147
4,505,522



High Rigidity type

C-Sleeve Linear Way MH MH

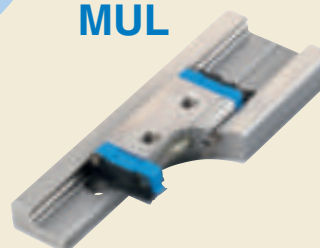
U.S. PATENTED
No. 6,729,761
6,712,511
5,622,433
5,564,188
5,374,126
4,652,147
4,610,488
4,505,522



U-shaped track rail type

C-Sleeve Linear Way MUL MUL

U.S. PATENTED
No. 6,729,761
6,712,511
6,309,107
5,435,649
5,289,779
5,250,126
4,652,147
4,505,522



Long-term maintenance free series

Linear Way & Linear Roller Way with Capillary plates

The Capillary plate is assembled inside the end seal of the slide unit or external cylinder and makes uniform contact with the raceways of track rail or spline shaft.

When the slide unit or external cylinder is stroked, lubrication oil impregnated in the Capillary plate is continuously fed to the raceways, keeping stable lubrication for long periods of time. So, long-term maintenance free operations can be achieved.

The Capillary plate is applicable to Linear Way, Linear Roller Way and Linear Ball Spline.



U.S. PATENTED
No. 6,190,046
No. 6,176,617
No. 6,082,899
No. 5,967,667

IKO C-Plate
Capillary Plate

Feature of C-Sleeve Linear Way

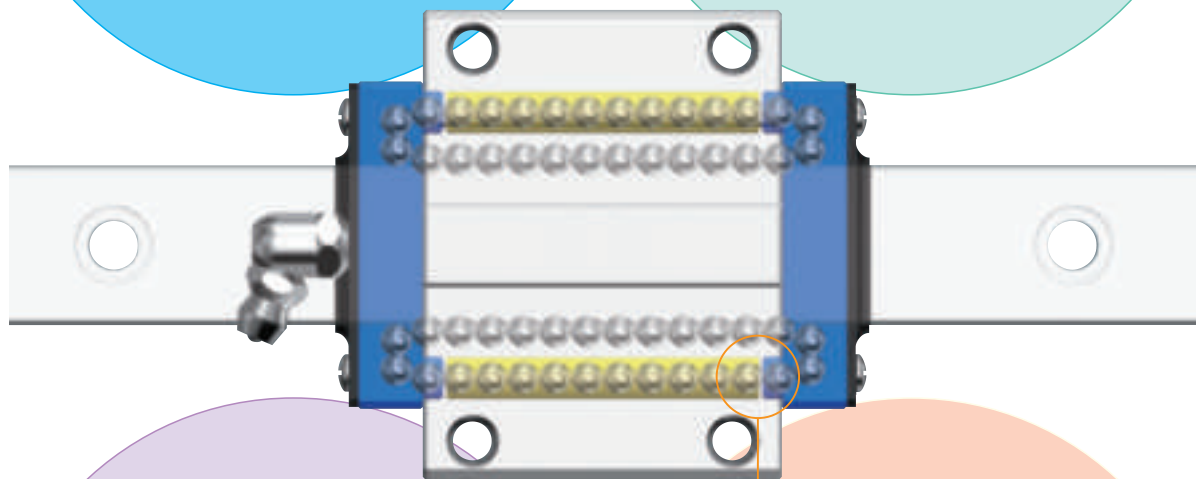
Maintenance free for 20,000km or 5 years
Interchangeable is newly available.

Maintenance Free

Ability of lubrication is maintained for long term, the cost of lubrication management and system can be reduced.

Ecology

C-Sleeve contributes to global environment protection because the amount of lubricant can be minimized.



Compactness

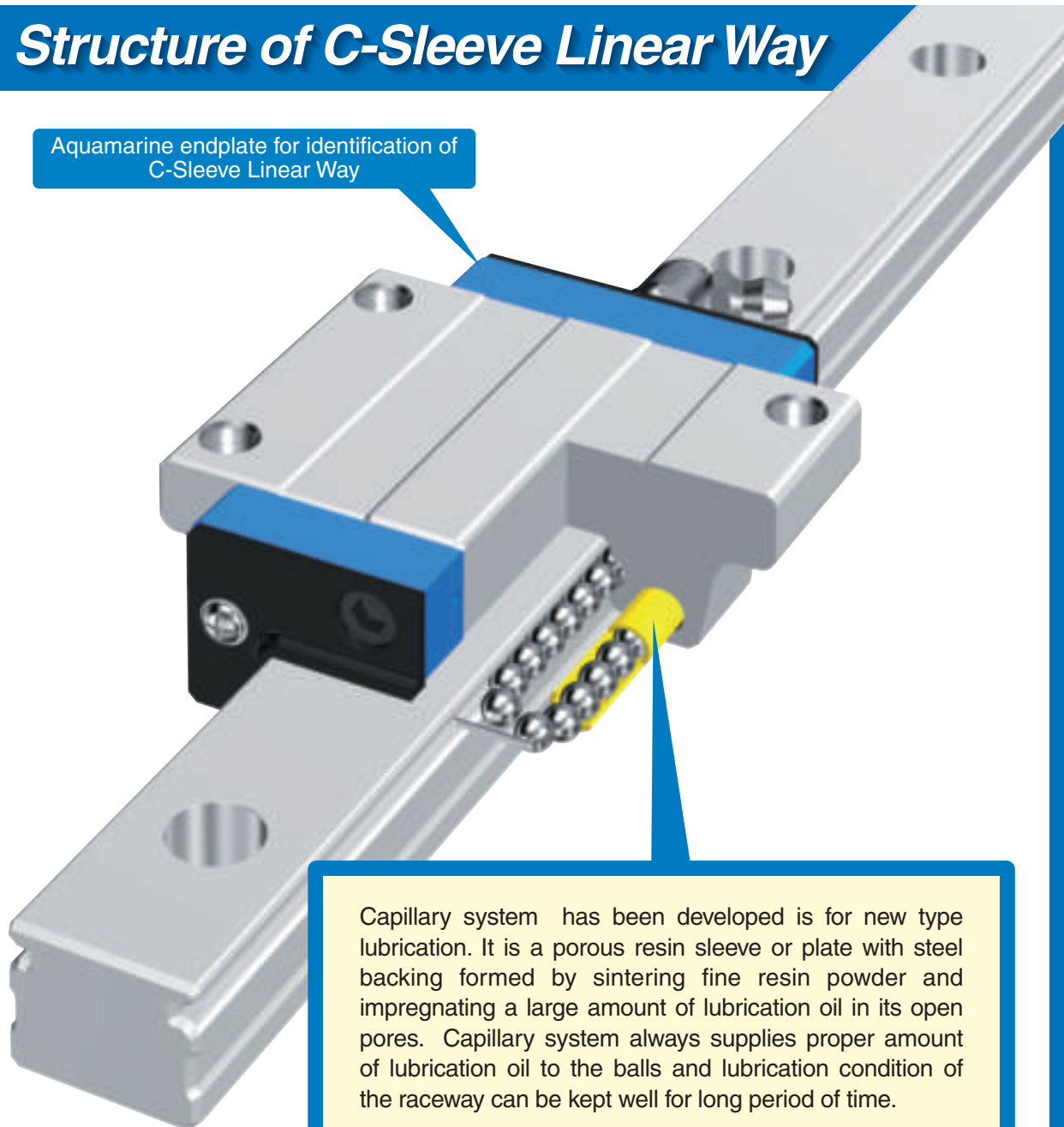
No increase in carriage length unlike a bolt-on external lubrication parts. No loss of available stroke length when replacing standard unit.

Smoothness

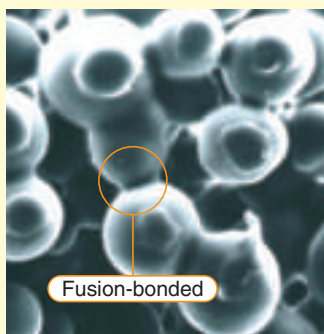
Light and smooth running is achieved by the improvement of design. It is designed not to have contact to track rail and this has brought a very smooth friction.

Structure of C-Sleeve Linear Way

Aquamarine endplate for identification of C-Sleeve Linear Way

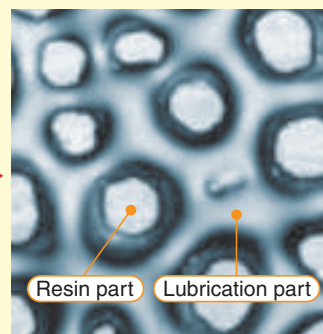


Capillary system has been developed is for new type lubrication. It is a porous resin sleeve or plate with steel backing formed by sintering fine resin powder and impregnating a large amount of lubrication oil in its open pores. Capillary system always supplies proper amount of lubrication oil to the balls and lubrication condition of the raceway can be kept well for long period of time.



Fusion-bonded

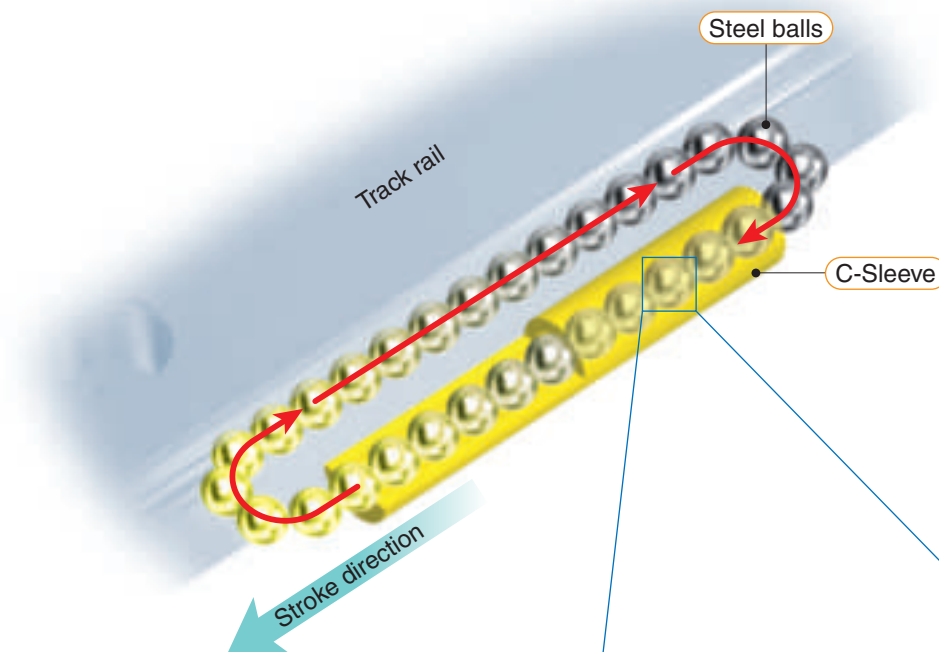
Before impregnating oil
Resin particles are strongly fusion-bonded.



Resin part Lubrication part

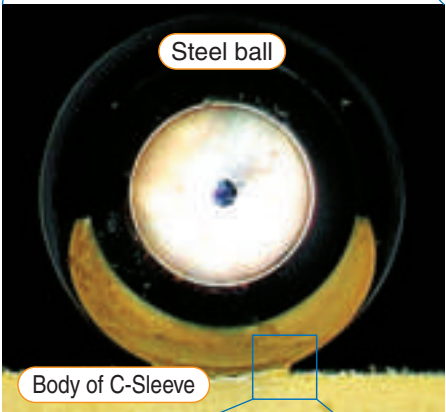
After impregnating oil
(Capillary lubrication structure)
Lubricant is retained in cavities amongst resin particles.

C-Sleeve lubrication mechanism



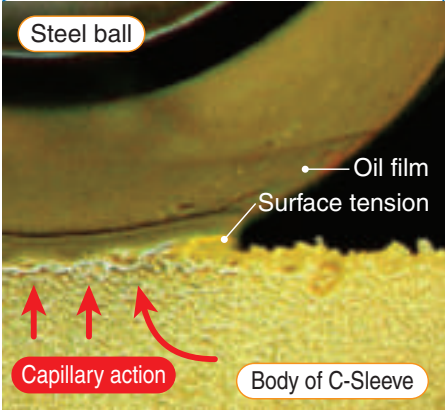
Lubricant is distributed by the circulation of the steel balls.

Lubricant is supplied directly to the steel balls. As the steel circulate, the lubricant is distributed to the loading area along the track rail. This results in adequate lubrication being properly maintained in the loading area for a long time.



Lubricant is deposited directly to the surface of the steel balls.

The surface of C-Sleeve is always covered with the lubricant. Lubricant is continuously supplied to the surface of steel ball by surface tension in the contact of C-Sleeve surface and steel balls. New oil permeates automatically from the core of C-Sleeve to the internal surface that comes in contact with steel balls.



1N=0.102kgf=0.2248lbs.
1mm=0.03937inch

Interchangeable Specification

IKO Linear Way and Linear Roller Way include interchangeable specification products. The track rails and the slide units of this specification can be handled separately and can be assembled to make a set as required.

The interchangeable specification guides are produced with the original precision manufacturing technology, making the most of the **IKO** guide designs: namely, the simple two-row raceway and four-point contact ball design of ball types, and the unique four-row raceway and parallel re-circulating roller design of roller types. The dimensional accuracy of both slide units and track rails is strictly controlled to achieve the interchangeability of higher standard.



Wide range of variations

The models for which the interchangeable specification is applicable are indicated by a star-mark (☆) in the table of dimensions of each series.

C-Sleeve Linear Way ML

(page A-2 to page A-17)

6 types and 37 models

C-Sleeve Linear Way ME

(page A-18 to page A-33)

9 types and 27 models

C-Sleeve Linear Way MH

(page A-34 to page A-51)

8 types and 18 models

Linear Way L

(page B-2 to page B-27)

8 types and 45 models

Linear Way E

(page B-28 to page B-53)

18 types and 81 models

Linear Way H

(page B-72 to page B-107)

14 types and 76 models

Linear Way F

(page B-108 to page B-127)

4 types and 12 models

Linear Roller Way Super X

(page C-2 to page C-33)

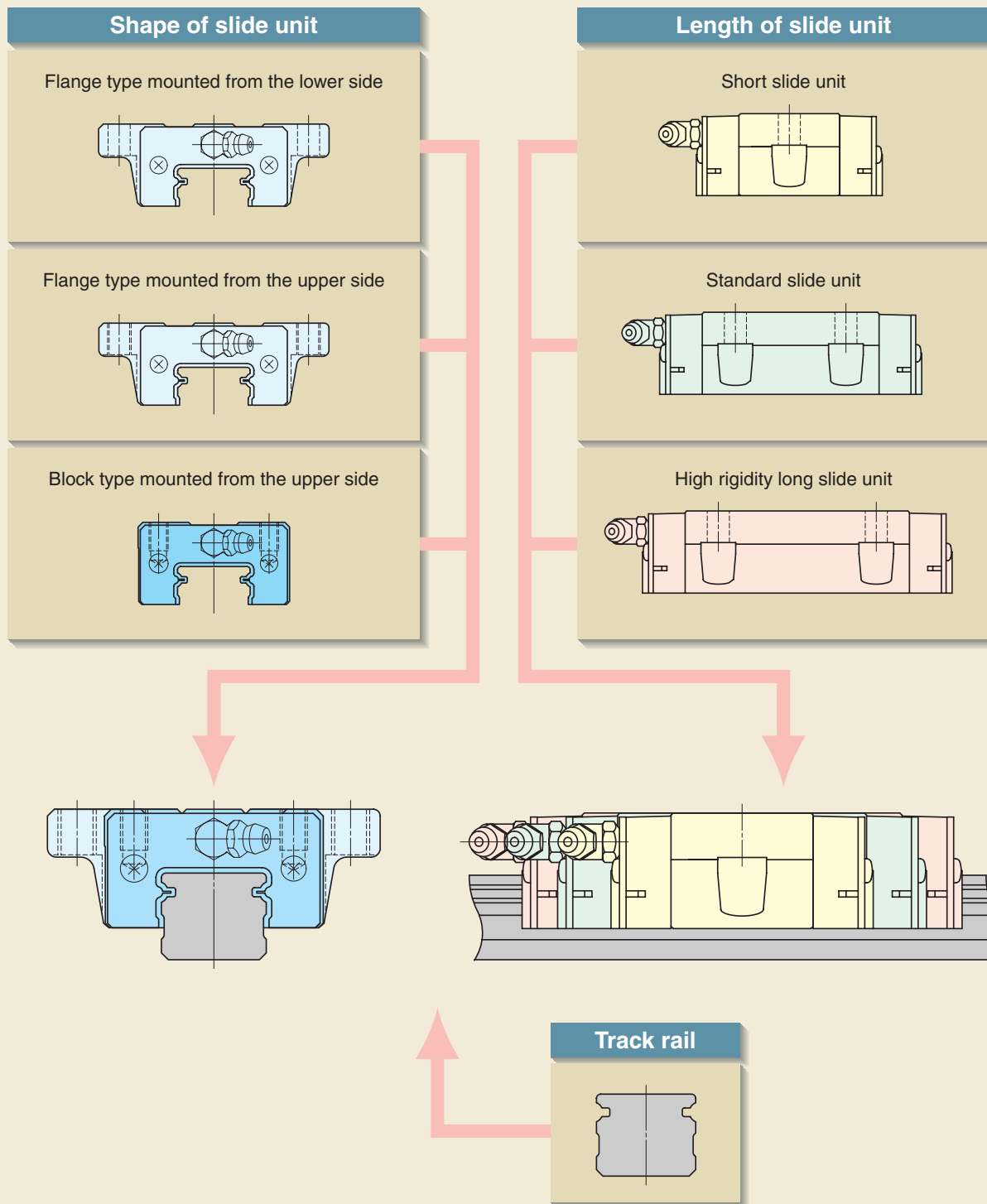
12 types and 84 models

Features of interchangeable specification products [1]

Interchangeable slide unit

Various types of slide units with different sectional shapes and lengths are prepared. All of these slide units can be freely mounted on the same track rail.

Track rails can be butt-jointed for use.(1)



Note(1) : When butt-jointing track rails are required, place an order specifying "butt-jointing interchangeable track rail" of special specification.

Features of interchangeable specification products [2]

Interchangeable with high accuracy

Three accuracy classes, Ordinary, High and Precision are prepared for the interchangeable specification products so that these products can be used for applications requiring high running accuracy.

Height variation among multiple sets is also controlled at a high accuracy level, ensuring that these products can be used for parallel track rail arrangement.

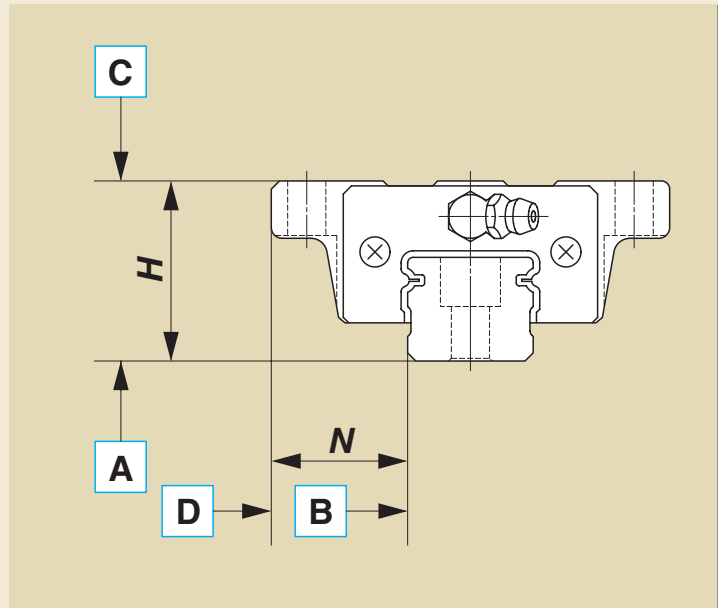
Standard accuracy specifications : up to Precision class

Tolerances of Dimensions H and N

Tolerances of Dimensions H and N in one set

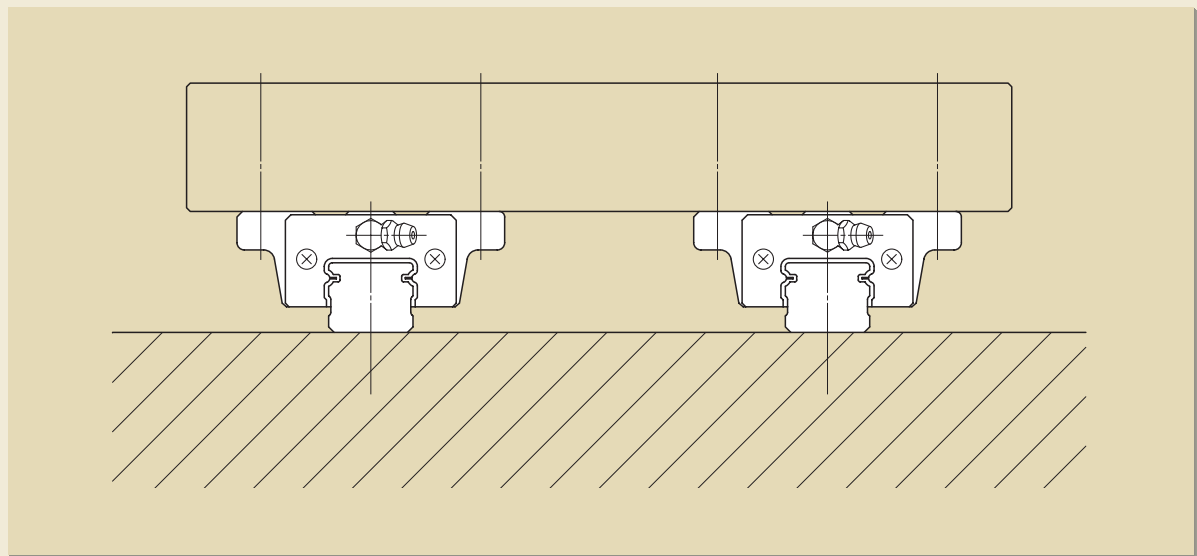
Parallelism in operation of plane C to plane A

Parallelism in operation of plane D to plane B



Parallel arrangement of multiple sets using standard specification products

The dimensional variation of H among multiple sets is specified.

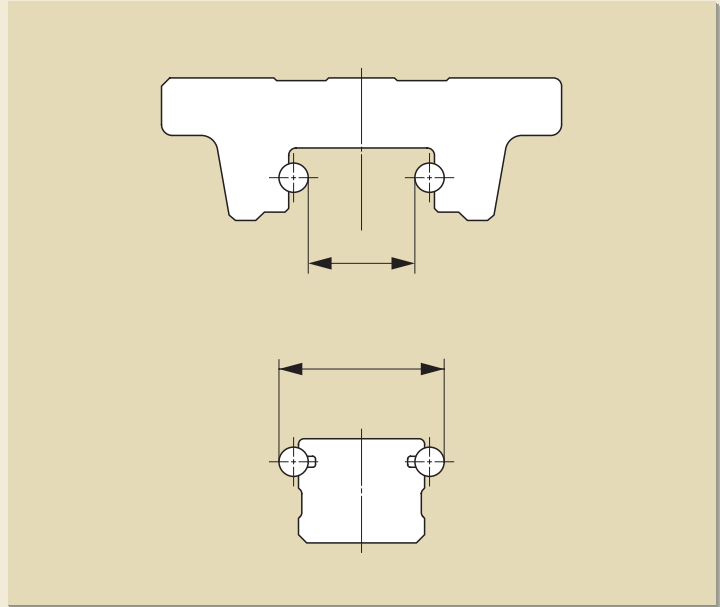


Features of interchangeable specification products [3]

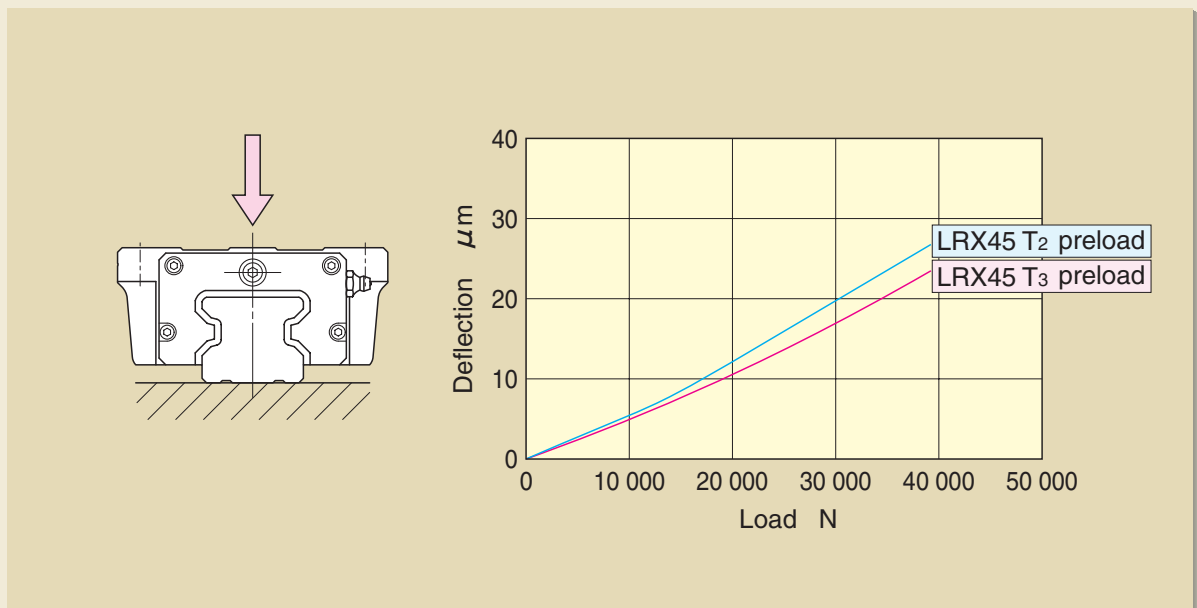
Interchangeable with preload

High accuracy dimensional control owing to a simple structure has made it possible to realize the interchangeability among preloaded slide units. In the interchangeable specification products, several preload types are prepared so that these products can be used for applications requiring one step higher rigidity.

High accuracy dimensional control realizing heavy preload

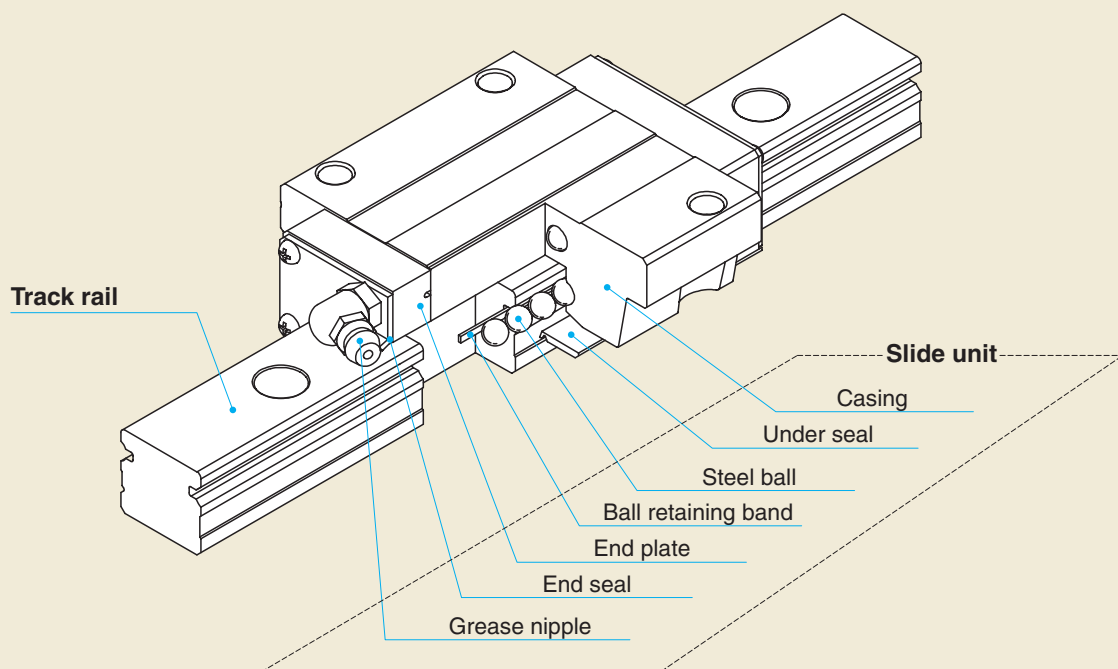


Slide units with the same preload symbol are interchangeable for achieving high rigidity



Stainless Series

IKO Linear Way and Linear Roller Way include products in which stainless steel is used for product components. Stainless steel components are more resistant to corrosion than high carbon steel components, so these products are most suitable for applications where the use of oil or grease (including rust preventive oil) should be avoided or kept to a minimum. The stainless series is suitable for use in clean rooms and can be used with **IKO** Clean Grease to minimize dust generation.



Material

Part	Material
Track rail	Martensitic stainless steel
Casing	Martensitic stainless steel
Steel ball	Martensitic stainless steel
Ball retaining band	Austenitic stainless steel
End plate	Functional synthetic resin
End seal	Austenitic stainless steel + Synthetic rubber
Grease nipple	Brass

	Series		Reference page
C-Sleeve Linear Way	<i>Miniature Maintenance Free Linear Way</i> C-Sleeve Linear Way ML	This Linear Way incorporates the C-Sleeve as a component part for lubrication in Linear Way L. The lubricant contained in the C-Sleeve achieves long-term maintenance free operations, so the man-hours for troublesome lubrication control can be reduced.	A-2 ~
	<i>U-shaped Maintenance Free Linear Way</i> C-Sleeve Linear Way MUL	This Linear Way incorporates the C-Sleeve as a component part for lubrication in Linear Way UL. The lubricant contained in the C-Sleeve achieves long-term maintenance free operations, so the man-hours for troublesome lubrication control can be reduced.	A-52 ~
Linear Way	<i>Miniature Type Linear Way</i> Linear Way L	This is the smallest in the IKO Linear Ways. This product is suitable for use in machines or equipment in clean rooms. Models with various track rail widths from as small as 2 mm are lined up.	B-2 ~
	<i>Compact Type Linear Way</i> Linear Way E	This is a compact type in comparison with Linear Way H and can be used for general purpose applications.	B-28 ~
	<i>High Rigidity Type Linear Way</i> Linear Way H	This type features large load ratings and high rigidity.	B-72 ~
	<i>Wide Rail Type Linear Way</i> Linear Way F	Being a wide rail type, it can support a large moment load acting around the axial direction, and it is also suitable for single row rail arrangement.	B-108 ~
	<i>U-shaped Track Rail Linear Way</i> Linear Way U	By adopting a U-shaped track rail, rigidity against moment and torsion is greatly improved.	B-128 ~
Linear Roller Way	Linear Roller Way Super X	For its rolling elements, this product employs cylindrical rollers, which provide very high rigidity and high accuracy.	C-2 ~

When combined with the following special specifications, **IKO Stainless series Linear Way and Linear Roller Way will provide a specification more suitable for each application.**

IKO Low Dust Generation Grease for Clean Environment CG2 /YCG

IKO CG2 grease is a low dust generation grease consists of synthetic base oil and urea type thickener. This grease has superior performance for wide range of temperature, lubrication performance, rust prevention and oxidation stability.

IKO Low Dust Generation Grease for Clean Environment CGL /YCL

IKO CGL grease has blended soaps for thickener and synthetic oil and petrolatum with low fluid point for base oil. In addition to its superior low dust generating, feature, it provides minimal level of rolling resistance as well as high lubricating and rust preventing performance.

Stainless Steel End Plate /BS

A steel end plate (austenitic stainless steel) is used in place of the synthetic resin end plate of the standard specification. Linear Way and Linear Roller Way of this specification can be used in high vacuum and its heat resistance is improved as well. When placing an order for this item, specify it together with the special specification "With no end seal" (/N). A change in grease type to vacuum or heat-resistant grease should also be considered.

Linear Way and Linear Roller Way for Special Environment

To meet requirements in various environmental conditions, **IKO** Linear Way and Linear Roller Way must be modified in terms of their material, lubricating grease, surface treatment, dust protection methods, etc.

General fields of application and principal methods in special environments are shown below.

Clean Environment

When Linear Way and Linear Roller Way are used in clean environments such as a clean room, the environment must not be polluted by the dust generated from them, and also superior corrosion resistance is required for them, since rust preventive oil cannot be used.

Dust generation from Linear Way and Linear Roller Way is mainly caused by lubricant spattering, which can be avoided by using low dust generation grease for clean environment.

As a corrosion prevention measure, Stainless Linear Way and Linear Roller Way can be used or black chrome surface treatment can be performed to improve corrosion resistance.

Corrosion prevention

Stainless Linear Way and Linear Roller Way

Black chrome surface treatment

Fluorine black chrome surface treatment

Lubricant spatter protection

Low dust generation grease for clean environment

Vacuum Environment

When Linear Way and Linear Roller Way are used in vacuum environments, the environment must not be polluted and the degree of vacuum must not be lowered by the gas emitted from them, and also superior corrosion resistance is required for them, since rust preventive oil cannot be used.

Gases emitted from synthetic resin components and lubricant spatters are the main causes of pollution. Components and lubricant must be properly selected as a preventive measure.

Corrosion resistance will be improved by using Stainless Linear Way and Linear Roller Way.

Corrosion and gas emission prevention

Stainless Linear Way and Linear Roller Way

Stainless steel end plate

Lubricant

Vacuum grease

High Temperature

When Linear Way is used at high temperature, heat resistance of synthetic resin components and steel components must be examined, and special measures must be taken, if necessary.

Stainless Linear Way with stainless steel end plates of special specification can be used together with high temperature grease.

Material

Stainless Linear Way

Stainless steel end plate

Seal for special environment

Lubricant

High temperature grease

Dust Protection

If foreign matter such as metal or wooden chips fall onto the raceways of Linear Way and Linear Roller Way, the life or accuracy of these guides may be affected adversely. Therefore, measures must be taken to prevent intrusion of foreign matter.

Bellows covering the entire linear motion mechanism is effective for dust protection. Also, double end seals are often used to protect the guides from intrusion of foreign matter. As dust accumulated in mounting holes may intrude into the slide unit and attach to the raceways, mounting holes can be covered using caps or rail cover plates.

High sealing performance

Linear Roller Way Super X

Linear Way H Ultra Sealed Type

Sealing

Double end seals

Scrapers

Track rail mounting hole

Caps

Rail cover plate

Bellows

Specially prepared bellows

Female threads for bellows

Spatter Protection

Hot welding spatters adhering firmly on track rails cannot be removed by ordinary dust protection measures. Special measures for preventing adhesion and removing adhered spatters are necessary.

Welding spatters and similar foreign substances can be removed easily by applying fluorine black chrome surface treatment and providing a scraper at the same time.

Spatter adhesion protection

Fluorine black chrome surface treatment

Sealing

Scrapers

Dust protection

Caps (aluminum caps)

Rail cover plate

Linear Way and Linear Roller Way for Special Environment

For applications in special environments requiring high corrosion resistance and high sealing performance, **IKO** provides Linear Way and Linear Roller Way for special environment as follows.

Linear Way and Linear Roller Way for Special Environment

Rust prevention

Stainless steel components are used in place of common steel components for improving corrosion resistance.

High sealing specification

Precision grinding is applied to the entire contour surfaces of the track rail for improving the sealing performance.

Series	Image	Reference page
<i>Miniature Maintenance Free Linear Way</i> C-Sleeve Linear Way ML Stainless standard product		A-2 ~
<i>U-shaped Maintenance Free Linear Way</i> C-Sleeve Linear Way MUL Stainless standard product		A-52 ~
<i>Miniature Type Linear Way</i> Linear Way L Stainless standard product		B-2 ~
<i>Compact Type Linear Way</i> Linear Way E Stainless specification product		B-28 ~
<i>High Rigidity Type Linear Way</i> Linear Way H Stainless specification product		B-72 ~
<i>Wide Rail Type Linear Way</i> Linear Way F Stainless specification product		B-108 ~
<i>U-shaped Track Rail Linear Way</i> Linear Way U Stainless specification product		B-128 ~
Linear Roller Way Super X Stainless specification product		C-2 ~
Linear Way H Ultra sealed specification product		B-72 ~
Linear Roller Way Super X Standard product, size 25 and upward		C-2 ~

Optional Special Specifications for Special Environment

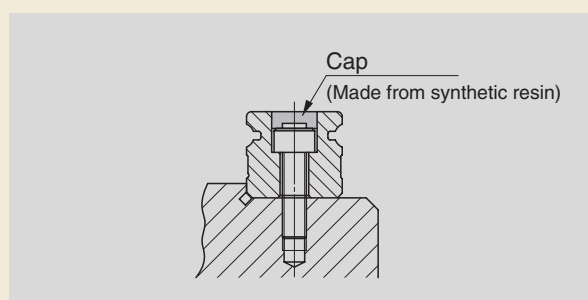
IKO Linear Way and Linear Roller Way with the following special specifications are available for various special environment applications. For details of supplemental codes, see pages 86 and 87.

Dust protection

With caps for rail mounting holes /F

The caps prevent dust and other harmful foreign matter from accumulating in rail mounting holes and intruding into the slide unit.

Aluminum caps are also available. Consult **IKO** for further information.



Rail cover plate /PS

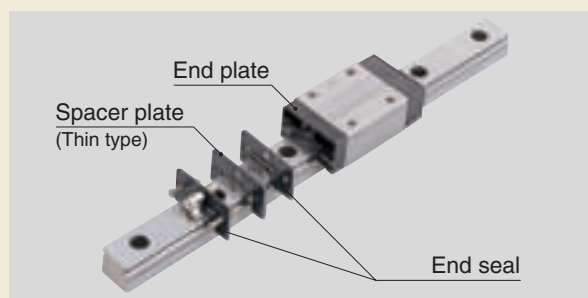
The top surface of the track rail is completely covered with a rail cover plate to prevent intrusion of foreign matter into the slide unit from track rail mounting holes.

U.S. PATENT No. 5,622,433



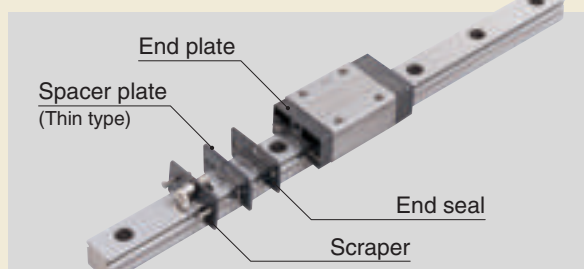
With double end seals /V

The double end seals improve the dust protection performance.



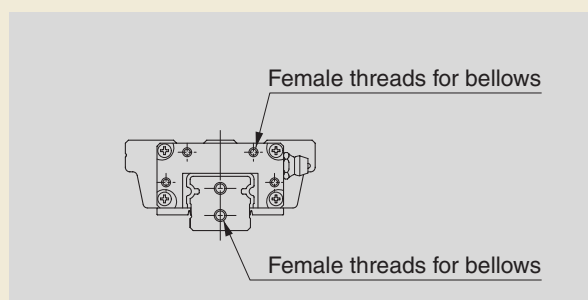
With scrapers /Z

Scrapers are mounted on the outside of end seals to remove large particles of dust or foreign matter that deposit on the track rail.



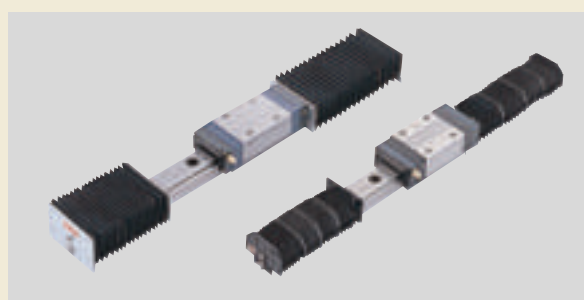
With female threads for bellows /J

Female threads for attaching bellows are provided at the ends of the slide unit and track rail.



Bellows (available product)

This is a covering for dust protection to cover the exposed part of the track rail.



Lubrication

Capillary plate /Q

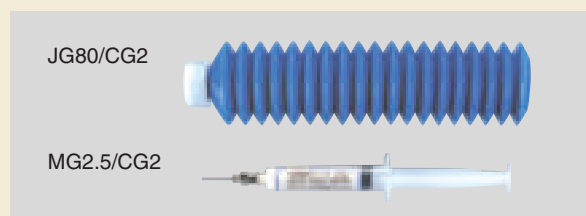
Re-lubrication interval can be made longer and maintenance time and cost can be saved by incorporating this lubrication part.

U.S. PATENT No. 6,190,046
No. 6,176,617
No. 6,082,899
No. 5,967,667



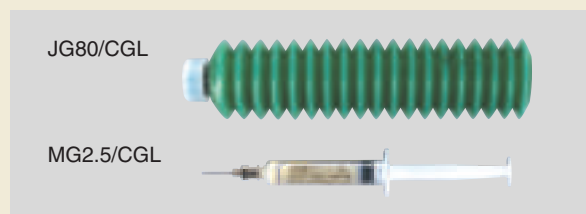
IKO Low Dust Generation Grease for Clean Environment CG2

This grease is used for low dust generation in clean rooms. Bellow type container JG80/CG2 (80g), miniature grease injector type MG10/CG2 (10ml) and MG2.5/CG2 (2.5ml) are available.



IKO Low Dust Generation Grease for Clean Environment CGL

This grease is used for low dust generation in clean rooms. Bellow type container JG80/CGL (80g) and miniature grease injector type MG2.5/CGL (2.5ml) are available.



Others

When special grease is required for vacuum or high temperature, consult **IKO** for information.

Corrosion prevention

Black chrome surface treatment /L

A black chrome permeable film is formed on the track rail or slide unit surface to improve corrosion resistance.

Fluorine black chrome surface treatment /LF

Fluorine resin coating is performed on top of the black chrome permeable film for further improvement in corrosion resistance. This treatment also effectively prevents foreign matter from adhering to the surface.

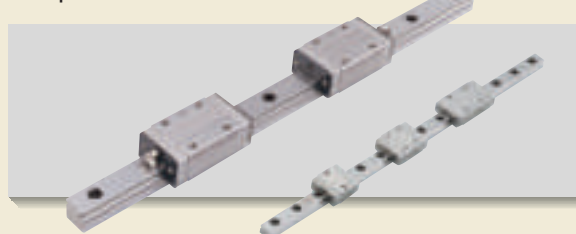


U.S. PATENT No. 5,564,188
No. 5,374,126

Others

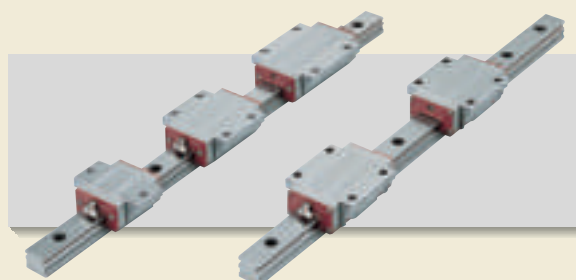
With stainless steel end plates /BS

The end plates are replaced with stainless steel end plates.



With seals for special environment /RE

The end seals and under seals are changed to seals for special environment that can be used at high temperatures. For use at high temperatures, this specification is combined with the specification "with stainless steel end plates" (/BS) and/or "specified grease" (/YCG).



The photo shows a combined specification of "with seals for special environment" (/RE) and "with stainless steel end plates" (/BS).

Identification Number

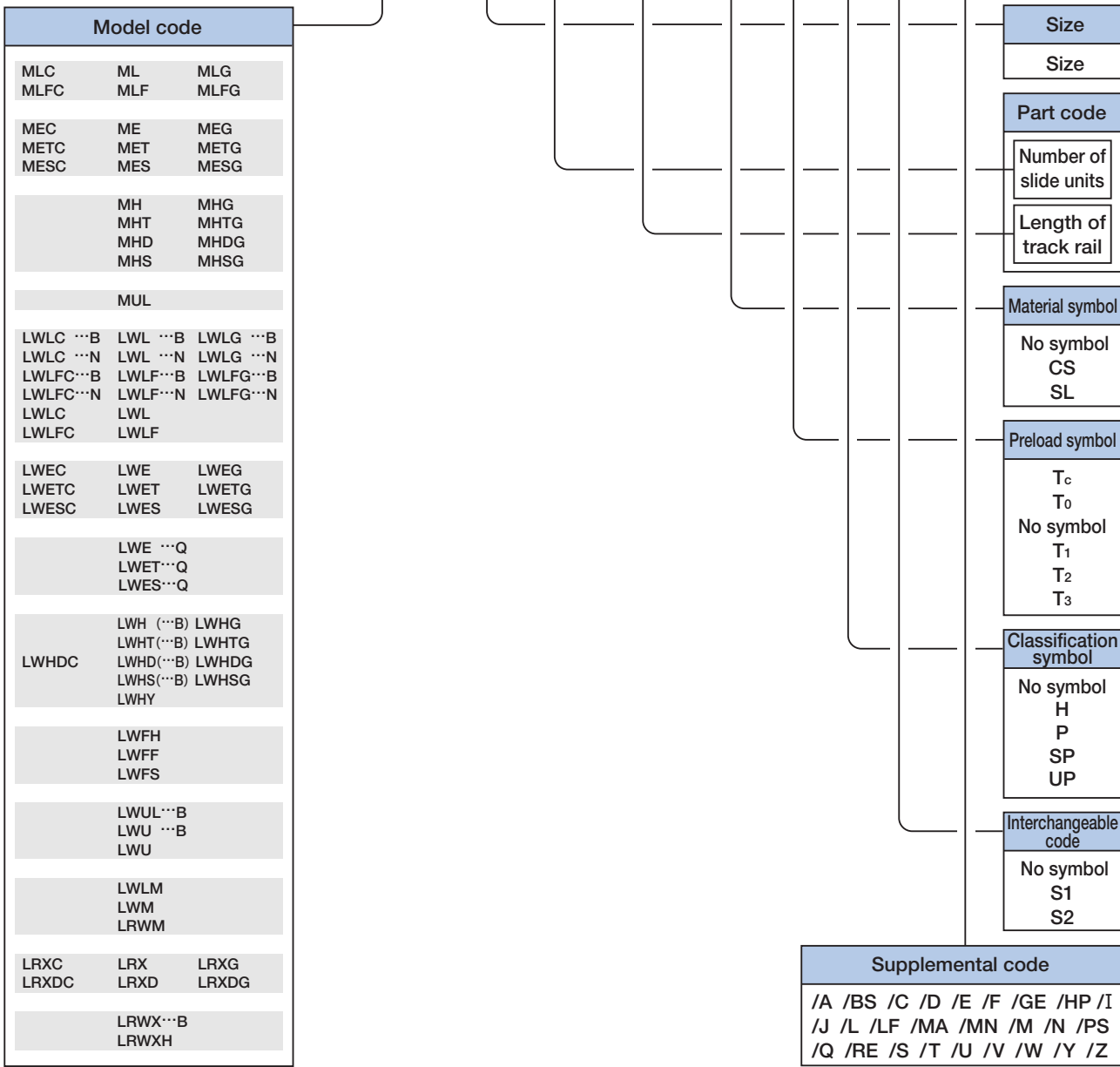
Identification numbers of **IKO** Linear Way and Linear Roller Way consist of a model code, a size, a part code, a material symbol, a preload symbol, a classification symbol, an interchangeable code, and any supplemental codes. Examples of identification numbers are shown below. For details of specifications, see the description of each series.

Interchangeable specification

Slide unit	LWESG	25	C1		SL	T1	P	S2	/U
Track rail	LWE	25		R640	SL		P	S2	/F
Assembled set	LWESG	25	C2	R640	SL	T1	P	S2	/FU

Non-interchangeable specification

Assembled set	LWESG	25	C2	R640	SL	T1	P		/FU
---------------	--------------	-----------	-----------	-------------	-----------	-----------	----------	--	------------



For Ordering

When ordering assembled sets of Linear Way or Linear Roller Way, indicate the number of sets which is always represented by the number of track rails. For ordering the slide units and track rails of interchangeable specification separately, indicate the number of slide units and track rails, respectively. Examples of ordering are shown below.

Interchangeable specification

Slide unit



(for two units)

Ordering example

LWESG 25 C1 SL T1 P S2 /U

Only "C1" meaning one slide unit can be indicated.

Order quantity

2 pieces

Track rail



(for one rail)

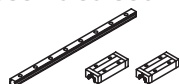
Ordering example

LWE 25 R640 SL P S2 /F

Order quantity

1 piece

Assembled set



(for one set)

Ordering example

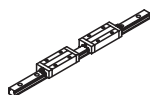
LWESG 25 C2 R640 SL T1 P S2 /FU

Order quantity

1 piece

Non-interchangeable specification

Assembled set



(for one set)

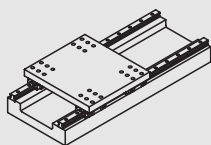
Ordering example

LWESG 25 C2 R640 SL T1 P /FU

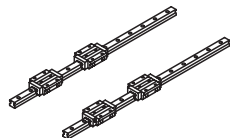
Order quantity

1 piece

Matched sets to be used as an assembled group (supplemental code/W)



Linear Way and Linear Roller Way



(for one group consisting of two sets)

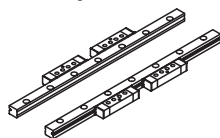
Ordering example

LRX 45 C2 R1260 T3 SP /W2

Order quantity

2 pieces

Linear Way Module



(for one group consisting of two sets)

Ordering example

LWM 2 M2 R480 P /W2

Order quantity

2 pieces

Load Rating

The load ratings of **IKO** Linear Way and Linear Roller Way are defined for downward load. Summarized descriptions of load ratings are given below. For details of load rating definitions and load calculations, see "General description".

● Basic dynamic load rating C

The basic dynamic load rating is defined as the constant load both in direction and magnitude under which a group of identical Linear Ways or Linear Roller Ways are individually operated and 90% of the units in the group can travel 50×10^3 meters free from material damage due to rolling contact fatigue.

● Basic static load rating C_0

The basic static load rating is defined as the static load that gives a prescribed constant contact stress at the center of the contact area between the rolling element and raceway receiving the maximum load.

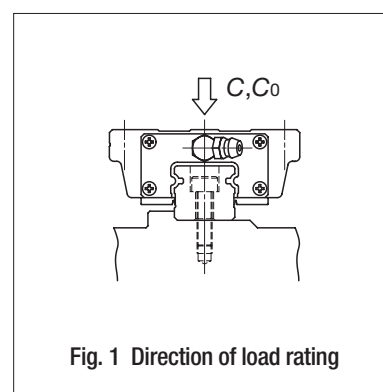


Fig. 1 Direction of load rating

● Static moment rating T_0, T_x, T_y

The static moment rating is defined as the static moment load that gives a prescribed constant contact stress at the center of the contact area between the rolling element and raceway receiving the maximum load when a moment is loaded.

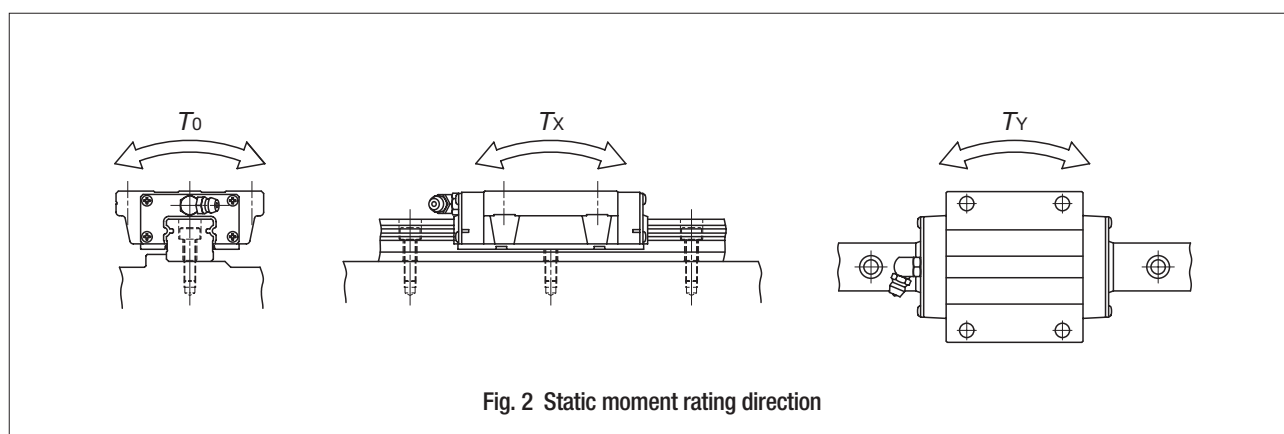


Fig. 2 Static moment rating direction

Accuracy

Five classes of accuracy, Ordinary, High, Precision, Super Precision, and Ultra Precision are specified for **IKO** Linear Way and Linear Roller Way. Table 1 summarizes applicable accuracy classes for each series, and Tables 2.1 to 2.4 show accuracy of each series. For details of applicable classes, see the description of each series.

For the accuracy of series other than those shown in Table 2, consult **IKO** for further information.

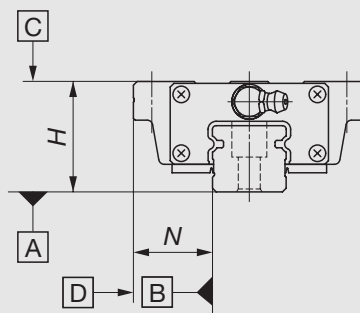
Table 1 Accuracy classes

Series	Classification (symbol)	Ordinary (No symbol)	High (H)	Precision (P)	Super Precision (SP)	Ultra Precision (UP)
C-Sleeve Linear Way ML		—	☆	☆	—	—
C-Sleeve Linear Way ME		☆	☆	☆	○	—
C-Sleeve Linear Way MH		—	☆	☆	○	—
C-Sleeve Linear Way MUL		○	○	—	—	—
Linear Way L		—	☆	☆	—	—
Linear Way E		☆	☆	☆	○	—
Low Decibel Linear Way E		○	○	○	—	—
Linear Way H ⁽¹⁾		—	☆	☆	○	—
Linear Way F		—	☆	☆	○	—
Linear Way U		○	○	—	—	—
Linear Roller Way Super X		—	☆	☆	○	○
Linear Roller Way X		—	○	○	○	○
Linear Way Module		—	○	○	○	—

Note(1) : For the size 8 to 12 models, the classification for Linear Way L is applicable.

Remark : In the table, the mark ☆ indicates that it is also applicable to interchangeable specification products.

Table 2.1 Accuracy of Linear Way and Linear Roller Way



unit : mm

Item	Classification (symbol)	Ordinary (No symbol)	High (H)	Precision (P)	Super Precision (SP)	Ultra Precision (UP)
Dim. <i>H</i> tolerance		±0.080	±0.040	±0.020	±0.010	±0.008
Dim. <i>N</i> tolerance		±0.100	±0.050	±0.025	±0.015	±0.010
Dim. variation of <i>H</i> ⁽¹⁾		0.025	0.015	0.007	0.005	0.003
Dim. variation of <i>N</i> ⁽¹⁾		0.030	0.020	0.010	0.007	0.003
Dim. variation of <i>H</i> for multiple assembled sets ⁽²⁾		0.045	0.035	0.025	—	—
Parallelism in operation of C to A		See Fig. 3.1.				
Parallelism in operation of D to B		See Fig. 3.1.				

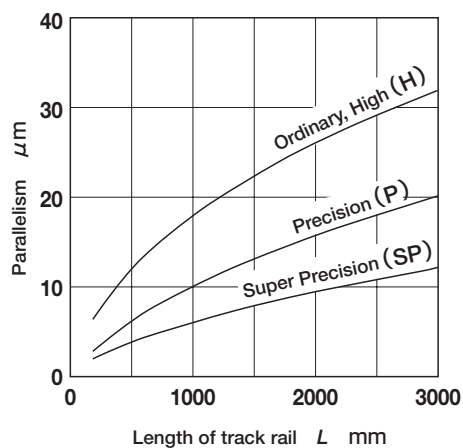
Note⁽¹⁾ : It means the size variation between slide units mounted on the same track rail.

⁽²⁾ : It applies to the interchangeable specification products.

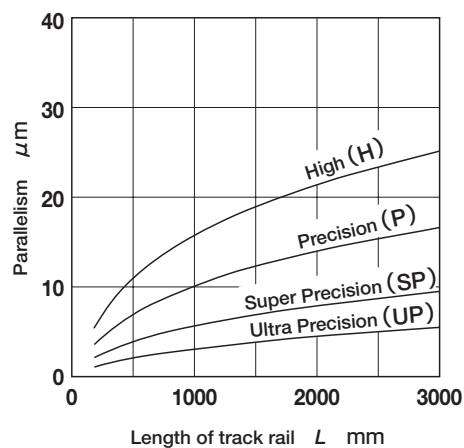
Remark 1 : The accuracy of C-Sleeve Linear Way ML, Linear Way L and the size 8 to 12 models of Linear Way H is shown in Table 2.2.

2 : The accuracy of Linear Way U and C-Sleeve Linear Way MUL is shown in Table 2.3.

3 : The accuracy of Linear Way Module is shown in Table 2.4.



(a) Linear Way

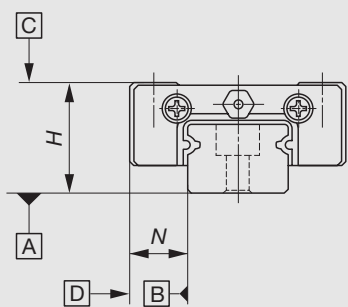


(b) Linear Roller Way

Fig. 3.1 Parallelism in operation of Linear Way and Linear Roller Way

Table 2.2 Accuracy of Linear Way L and C-sleeve Linear Way ML

unit : mm



Item	Classification (Symbol)	High (H)	Precision (P)
Dim. <i>H</i> tolerance		±0.020	±0.010
Dim. <i>N</i> tolerance		±0.025	±0.015
Dim. variation of <i>H</i> ⁽¹⁾		0.015	0.007
Dim. variation of <i>N</i> ⁽¹⁾		0.020	0.010
Dim. variation of <i>H</i> for multiple assembled sets ⁽²⁾		0.030	0.020
Parallelism in operation of C to A		See Fig. 3.2.	
Parallelism in operation of D to B		See Fig. 3.2.	

Note⁽¹⁾ : It means the size variation between slide units mounted on the same track rail.

⁽²⁾ : It applies to the interchangeable specification products.

Remark : The accuracy given in this table also applies to C-Sleeve Linear Way L and the size 8 to 12 models of Linear Way H.

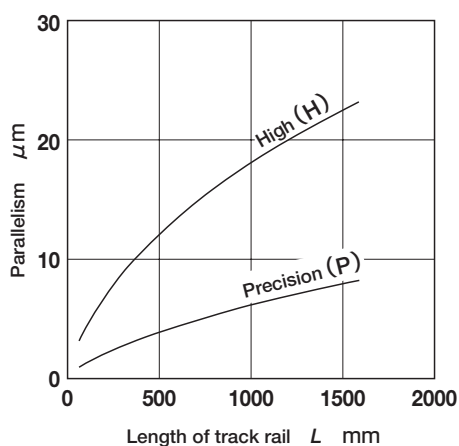
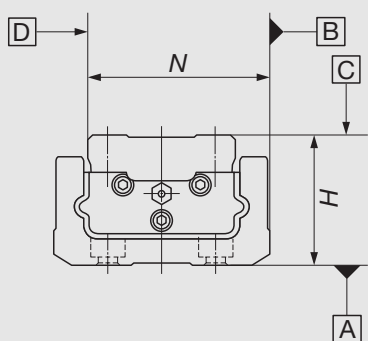


Fig. 3.2 Parallelism in operation of Linear Way L and C-Sleeve Linear Way ML

Table 2.3 Accuracy of Linear Way U



Item	Classification (Symbol)	unit : mm	
		Ordinary (No symbol)	High (H)
Dim. H tolerance		± 0.100	± 0.050
Dim. N tolerance		± 0.100	± 0.050
Dim. variation of $H^{(1)}$		0.050	0.040
Dim. variation of $N^{(1)}$		0.050	0.040
Parallelism in operation of C to A		See Fig. 3.3.	
Parallelism in operation of D to B		See Fig. 3.3.	

Note⁽¹⁾ : It means the size variation between slide units mounted on the same track rail.

Remark : Also applicable to C-Sleeve Linear Way MUL.

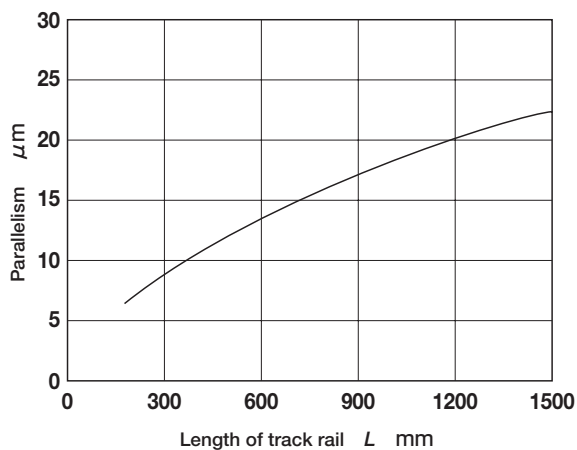
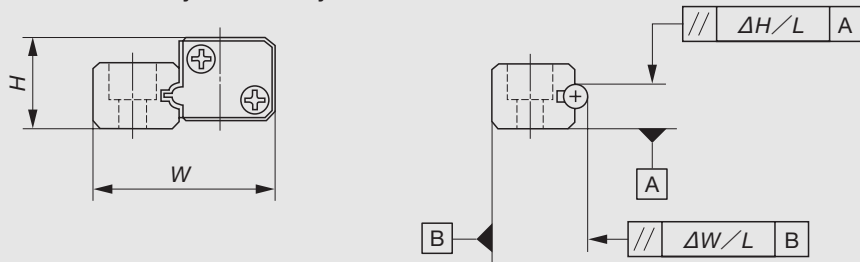


Fig. 3.3 Parallelism in operation of Linear Way U

Table 2.4 Accuracy of Linear Way Module



unit : mm

Item	Classification (symbol)	High (H)	Precision (P)	Super Precision (SP)
Dim. H tolerance		± 0.040	± 0.020	± 0.010
Dim. W tolerance		± 0.050	± 0.025	± 0.015
Dim. variation of $H^{(1)}$		0.015	0.007	0.005
Dim. variation of $W^{(1)}$		0.020	0.010	0.007
Parallelism of track rail ΔH		See Figs. 3.4 and 3.5.		
Parallelism of track rail ΔW		See Figs. 3.4 and 3.5.		

Note(1) : It means the size variation between slide members mounted on the same track rail.

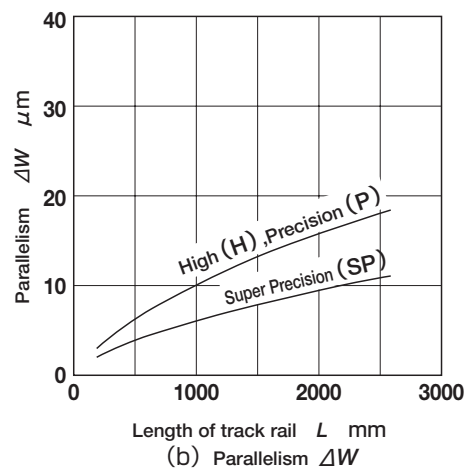
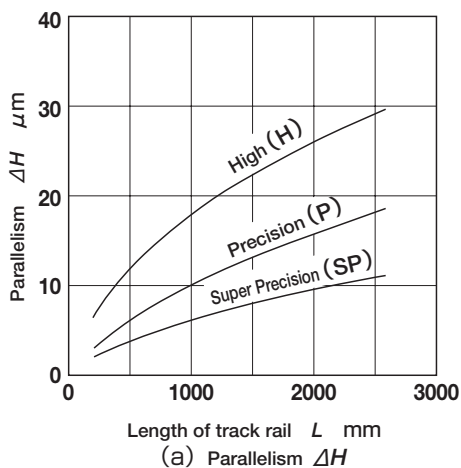


Fig. 3.4 Parallelism of Linear Way M and Linear Roller Way M

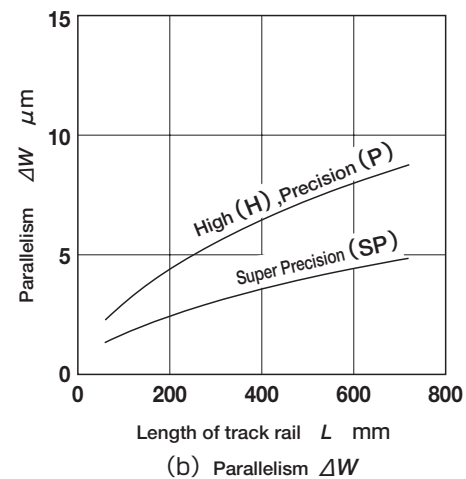
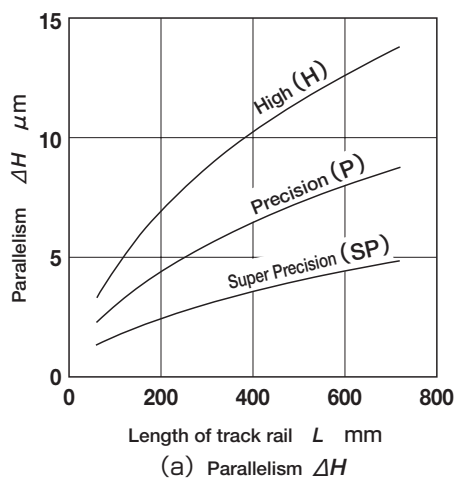


Fig. 3.5 Parallelism of Linear Way LM

1N=0.102kgf=0.2248lbs.
1mm=0.03937inch

Preload

The average amount of preload for **IKO** Linear Way and Linear Roller Way is shown in Table 3. When both rigidity and vibration characteristics are important, the standard preload amount is 1/3 of the applied load for Linear Way and 1/2 for Linear Roller Way.

A summary of applicable preload types is shown in Table 4. For details, see the description of each series.

Table 3 Preload amount

Preload type	Item	Symbol	Preload amount N	Application
Clearance		T _C	0 (1)	<ul style="list-style-type: none"> • Very smooth motion • To absorb slight misalignment
		T ₀	0 (2)	<ul style="list-style-type: none"> • Very smooth motion
Standard		(No symbol)	0 (3)	<ul style="list-style-type: none"> • Smooth and precise motion
Light preload		T ₁	0.02C ₀	<ul style="list-style-type: none"> • Minimum vibration • Load is evenly balanced. • Smooth and precise motion
Medium preload		T ₂	0.05C ₀	<ul style="list-style-type: none"> • Medium vibration • Medium overhung load
Heavy preload		T ₃	0.08C ₀	<ul style="list-style-type: none"> • Vibration and/or shocks • Large overhung load • Heavy cutting

Note(1) : Clearance of about 10μm

(2) : Zero or minimal amount of clearance

(3) : Zero or minimal amount of preload

Remark : C₀ means the basic static load rating.

Table 4 Preload type

Series \ Preload type (Symbol)	Clearance (T _C)	Clearance (T ₀)	Standard (No symbol)	Light preload (T ₁)	Medium preload (T ₂)	Heavy preload (T ₃)
C-Sleeve Linear Way ML	—	☆	☆	☆	—	—
C-Sleeve Linear Way ME ⁽²⁾	☆	—	☆	☆	○	—
C-Sleeve Linear Way MH	—	—	☆	☆	○	○
C-Sleeve Linear Way MUL	—	—	○	○	—	—
Linear Way L	—	☆	☆	☆	—	—
Linear Way E	☆	—	☆	☆	○	—
Low Decibel Linear Way E	—	—	○	○	—	—
Linear Way H	—	○ ⁽¹⁾	☆	☆	☆	☆
Linear Way F	—	—	☆	☆	○	—
Linear Way U	—	—	○	○	—	—
Linear Roller Way Super X	—	—	☆	☆	☆	☆
Linear Roller Way X	—	—	○	○	○	○

Note(1) : It applies to size 8 to 12 models.

Remark : In the table, the mark ☆ indicates that it is also applicable to interchangeable specification products.

Special Specifications

IKO Linear Way and Linear Roller Way of the special specifications shown in Table 5 are available. In some cases, however, special specifications may not be applicable. For details, see the description of each series. When a special specification is required, add the applicable supplemental code to the end of the identification number. When a combination of several special specifications is required, arrange their supplemental codes in alphabetical order.

Table 5.1 Special specifications for Linear Way and Linear Roller Way

Special specification	Supplemental code	C-Sleeve Linear Way ML	C-Sleeve Linear Way ME	C-Sleeve Linear Way MH	C-Sleeve Linear Way MUL	Linear Way L	Linear Way E	Low Decibel Linear Way E
Butt-jointing track rails (Non-interchangeable specification)	A	○	○	○	—	○	○	—
Stainless steel end plates	BS	—	—	—	—	○	☆	—
Chamfered reference surface	C	—	—	—	—	—	—	—
Opposite reference surfaces arrangement	D	☆	☆	☆	—	☆	☆	○
Specified rail mounting hole positions	E	☆	☆	☆	○	☆	☆	—
Caps for rail mounting holes	F	—	☆	☆	—	—	☆	○
Changed pitch of slide unit middle mounting holes	GE	—	—	—	—	—	—	—
Half pitch of track rail mounting holes	HP	—	—	—	—	—	—	—
Inspection sheet (Non-interchangeable specification)	I	○	○	○	—	○	○	—
Female threads for bellows	J	—	☆	☆	—	—	☆	—
Black chrome surface treatment	L	○	☆	☆	○	○	☆	○
Fluorine black chrome surface treatment	LF	—	☆	☆	—	○	☆	○
With track rail mounting bolt	MA	—	☆	☆	○	—	☆	○
Without track rail mounting bolt	MN	☆	—	☆	—	☆	—	—
Change of mounting hole and female thread sizes	M	—	☆	—	—	○	☆	○
No end seal	N	☆	☆	☆	—	☆	☆	—
Rail cover plate (Non-interchangeable specification)	PS	—	—	○	—	—	—	—
Capillary plate (Non-interchangeable specification)	Q	—	—	—	—	☆	☆	○
Seal for special environment	RE	—	—	—	—	○	☆	—
Track rail with stopper pins (Non-interchangeable specification)	S	○	—	—	—	○	—	—
Butt-jointing interchangeable track rail (Interchangeable specification)	T	—	☆	☆	—	—	☆	—
Under seals	U	☆	☆	—	○	☆	☆	—
Double end seals	V	—	☆	☆	—	—	☆	○
Matched sets to be used as an assembled group	W	○	○	○	○	○	○	○
Specified grease	Y	—	—	—	—	○	☆	○
Scrapers	Z	—	☆	☆	—	—	☆	○

Note(1) : Including Linear Way LM and Linear Roller Way M.

Remark 1 : The mark ☆ indicates that interchangeable specification products are available.

2 : For the details of special specifications applicable to each series and combinations of special specifications, see the description of each series.

Table 5.2 Special specifications for Linear Way and Linear Roller Way

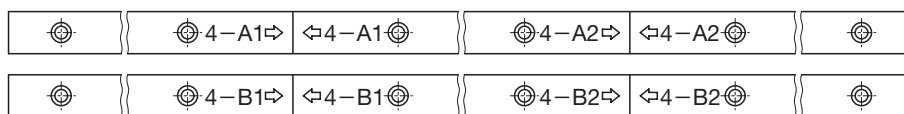
Special specification	Supplemental code	Linear Way H	Linear Way F	Linear Way U	Linear Roller Way Super X	Linear Roller Way X	Linear Way M ⁽¹⁾
Butt-jointing track rails (Non-interchangeable specification)	A	○	○	–	○	○	○
Stainless steel end plates	BS	☆	–	–	–	–	–
Chamfered reference surface	C	–	☆	–	–	–	–
Opposite reference surfaces arrangement	D	☆	☆	–	☆	○	–
Specified rail mounting hole positions	E	☆	☆	○	☆	○	○
Caps for rail mounting holes	F	☆	☆	–	☆	○	○
Changed pitch of slide unit middle mounting holes	GE	–	–	–	☆	–	–
Half pitch of track rail mounting holes	HP	–	–	–	☆	–	–
Inspection sheet (Non-interchangeable specification)	I	○	○	–	○	○	○
Female threads for bellows	J	☆	☆	–	☆	○	–
Black chrome surface treatment	L	☆	☆	○	☆	○	○
Fluorine black chrome surface treatment	LF	☆	☆	–	☆	○	○
With track rail mounting bolt	MA	–	–	○	–	–	–
Without track rail mounting bolt	MN	☆	☆	○	☆	○	○
Change of mounting hole and female thread sizes	M	–	–	–	–	–	–
No end seal	N	☆	☆	–	☆	–	–
Rail cover plate (Non-interchangeable specification)	PS	○	–	–	○	–	–
Capillary plate (Non-interchangeable specification)	Q	☆	☆	○	☆	○	–
Seal for special environment	RE	☆	–	–	–	–	–
Track rail with stopper pins (Non-interchangeable specification)	S	–	–	–	–	–	–
Butt-jointing interchangeable track rail (Interchangeable specification)	T	☆	–	–	☆	–	–
Under seals	U	☆	☆	○	–	–	–
Double end seals	V	☆	☆	–	☆	–	–
Matched sets to be used as an assembled group	W	○	○	○	○	○	○
Specified grease	Y	☆	☆	–	☆	○	○
Scrapers	Z	☆	☆	–	☆	○	–

Note⁽¹⁾ : Including Linear Way LM and Linear Roller Way M.

Remark 1 : The mark ☆ indicates that interchangeable specification products are available.

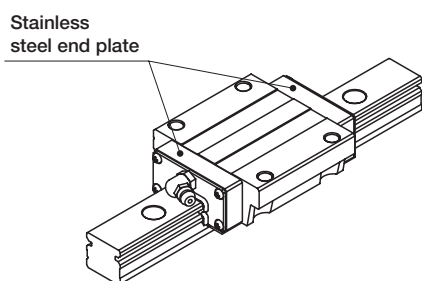
2 : For the details of special specifications applicable to each series and combinations of special specifications, see the description of each series.

Butt-jointing track rails /A



When the required length of non-interchangeable specification track rail exceeds the maximum length indicated in the description of each series, two or more track rails can be used by butt-jointing them in the direction of linear motion. For the length and the number of butt-jointing track rails, consult **IKO** for further information.

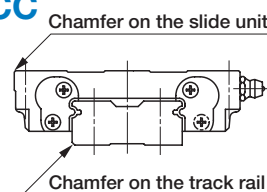
With stainless steel end plates /BS



The standard synthetic resin end plates are replaced with stainless steel end plates, keeping the total length of slide unit unchanged.

When superior heat resistance is required, it is recommended to apply this specification in combination with the "with no end seal (/N)" specification.

Chamfered reference surface /C /CC



Chamfering is additionally made at the edges of reference mounting surfaces of slide unit and track rail.

For the corner radius of mating mounting parts, see Table 23.2 on page 120.

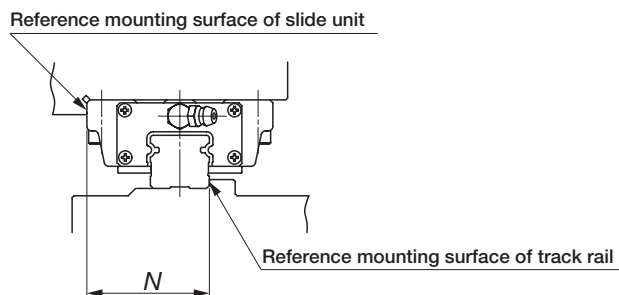
① /C

Chamfering is additionally made at the edge of reference mounting surface of track rail.

② /CC

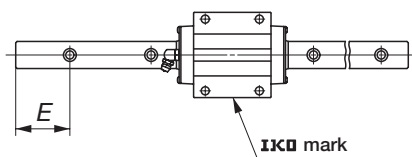
Chamfering is additionally made at the edges of reference mounting surfaces of slide unit and track rail.

Opposite reference surfaces arrangement /D



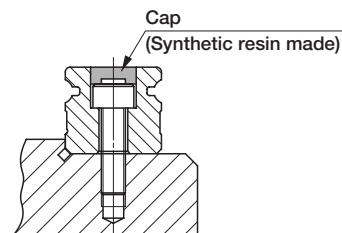
The reference mounting surface of track rail is made opposite to the standard side. The accuracy of dimension *N* including parallelism in operation is the same with that of standard specification.

Specified rail mounting hole positions /E



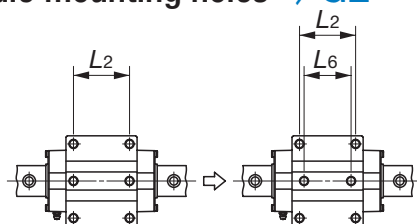
The mounting hole positions of track rail can be specified by specifying dimension E at the left end, which is the distance from the mounting hole nearest to the left end of the track rail to the left end face of the track rail in sight of **IKO** mark on the slide unit. When ordering, add the dimension (in mm) after "/E". Dimension E can be specified in a limited range. Consult **IKO** for further information.

With caps for rail mounting holes /F



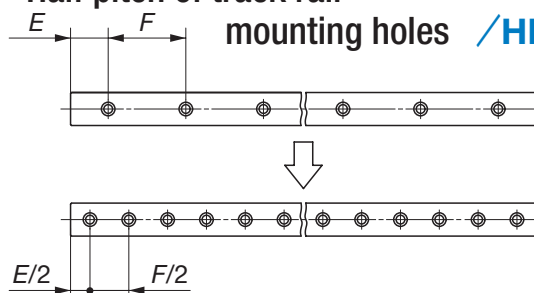
Specially prepared caps for track rail mounting holes are appended. These caps cover the track rail mounting holes to improve the sealing performance in the linear motion direction. Aluminum caps are also available. Consult **IKO** for further information.

Changed pitch of slide unit middle mounting holes /GE



The pitch length between the two middle mounting holes of slide unit of Linear Roller Way Super X is changed. For this dimension, see the description of each series.

Half pitch of track rail mounting holes /HP



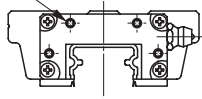
The pitch of the track rail mounting holes is changed to 1/2 of the dimension F of standard type. Track rail mounting bolts are appended in the same number as that of mounting holes.

Inspection sheet /I

The inspection sheet recording dimensions H and N , dimensional variations of H and N , and parallelism in operation of the slide unit (or slide member) is attached for each set.

With female threads for bellows (for single slide unit or track rail) /J /JR /JL

Female threads for bellows



Slide unit

Female threads for bellows

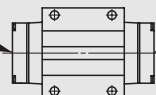


Track rail

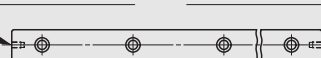
Female threads for mounting bellows are provided on the interchangeable slide unit or the interchangeable track rail. For details of related dimensions, see the description of each series.

① /J

Female threads for bellows Female threads for bellows



Female threads for bellows Female threads for bellows



Female threads are provided at both ends of the slide unit or the track rail.

② /JR

Female threads for bellows

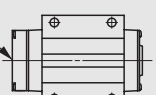


IKO mark

Female threads are provided at the right end of the slide unit in sight of **IKO** mark.

③ /JL

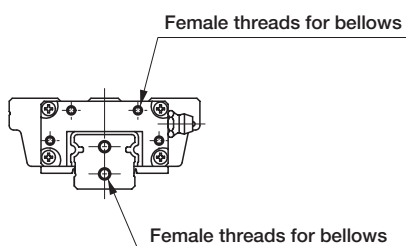
Female threads for bellows



IKO mark

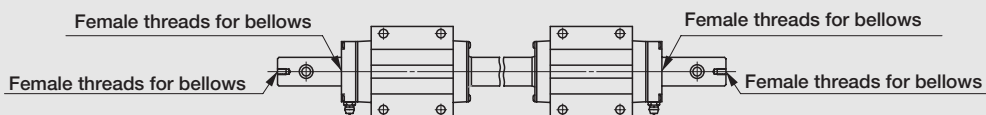
Female threads are provided at the left end of the slide unit in sight of **IKO** mark.

With female threads for bellows (for assembled set) /J /JJ /JR /JS /JJS



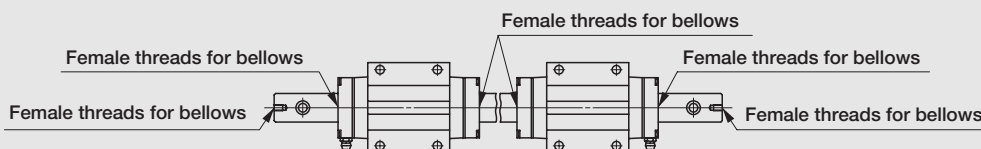
For an assembled set of interchangeable or non-interchangeable specification, female threads for mounting bellows are provided on the slide unit and the track rail. For details of related dimensions, see the description of each series.

① /J



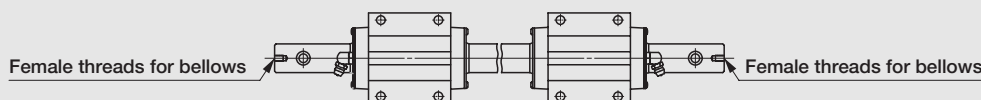
Female threads are provided at both ends of the track rail, and at the slide unit ends which are the closest to the track rail ends. (In case only one slide unit is assembled, female threads are provided at both ends.)

② /JJ



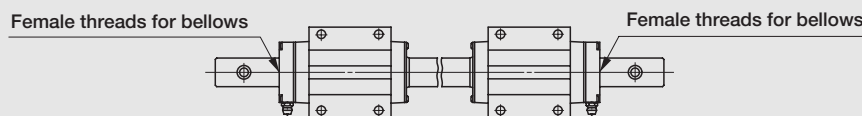
Female threads are provided at both ends of the track rail, and at all ends of all slide units. (Applicable, when the number of slide units is two or more. In case only one slide unit is assembled, indicate "/J".)

③ /JR



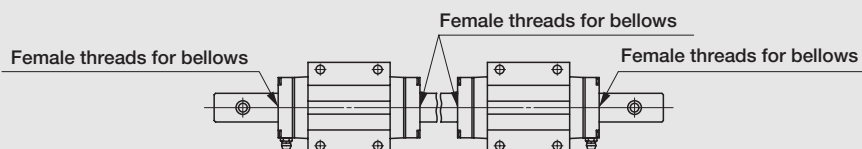
Female threads are provided at both ends of the track rail.

④ /JS



Female threads are provided at the slide unit ends which are the closest to the track rail ends. (In case only one slide unit is assembled, female threads are provided at both ends.)

⑤ /JJS



Female threads are provided at all ends of all slide units. (Applicable, when the number of slide units is two or more. In case only one slide unit is assembled, indicate "/JS".)

Black chrome surface treatment

／LC ／LR ／LCR

After forming a black permeable chrome film, the surface is coated with acrylic resin for improvement in corrosion resistance.

① ／LC

Treatment is applied to the casing.

② ／LR

Treatment is applied to the track rail.

③ ／LCR

Treatment is applied to the casing and the track rail.

Fluorine black chrome surface treatment

／LFC ／LFR ／LFCR

U.S. PATENT NO. 5,564,188

NO. 5,374,126

After forming a black permeable chrome film, the surface is coated with fluorine resin for further improvement in corrosion resistance. This treatment is also effective in preventing the adhesion of foreign substances on the surface.

① ／LFC

Treatment is applied to the casing.

② ／LFR

Treatment is applied to the track rail.

③ ／LFCR

Treatment is applied to the casing and the track rail.

With track rail mounting bolts

／MA⁽¹⁾

Track rail mounting bolts are appended according to the number of mounting holes.

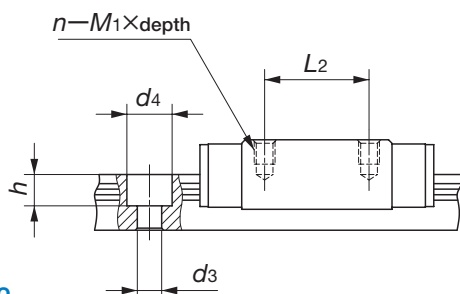
Without track rail mounting bolts

／MN⁽¹⁾

Track rail mounting bolts are not appended.

Change of mounting hole size and female thread size

／M2⁽¹⁾ ／M3⁽¹⁾ ／M4⁽¹⁾



The size of the female threads for mounting the slide unit or the size of the track rail mounting hole is changed. For dimensions, see the description of each series.

① ／M2

The female threads for mounting the LWL5 slide unit are changed to M2.

② ／M3

The female threads for mounting LWL9 and LWL12 slide units are changed to M3, and the track rail mounting holes are changed to holes for M3.

The female threads for mounting LWLF14 and LWLF18 slide units are changed to M3.

③ ／M4

The track rail mounting holes for M3 of LWE15 are changed to holes for M4.

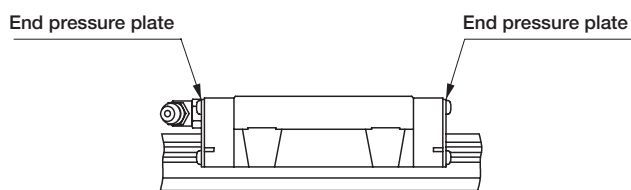
Note⁽¹⁾: For assembling /MA, /MN, /M2, /M3, /M4, please indicate as shown below.

Combination of /MA and /M4: /MA4

Combination of /MN and /M2: /MN2

Combination of /MN and /M3: /MN3

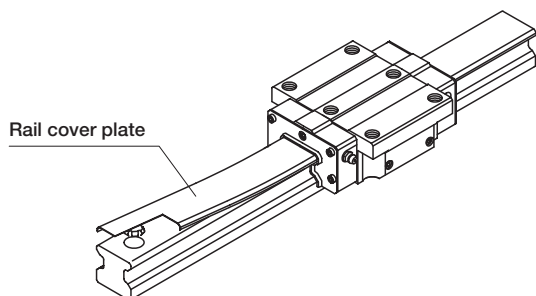
No end seal /N



End seals at both ends of slide unit are replaced by end pressure plates (not in contact with the track rail) to reduce frictional resistance. The under seals are not assembled. This specification is not effective for dust protection.

Rail cover plate /PS

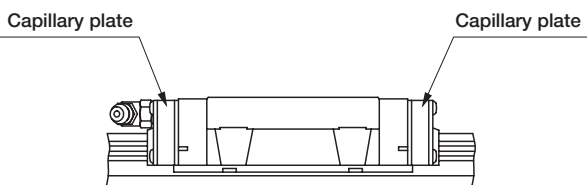
U.S. PATENT NO. 5,622,433



After mounting the track rail, the top surface of track rail is covered with a U-shaped thin stainless steel plate for further improvement in sealing performance. The rail cover plate is delivered as assembled on the track rail. Standard end seals must be replaced with the special end seals. When mounting the cover plate, refer to the attached instruction manual for rail cover plate.

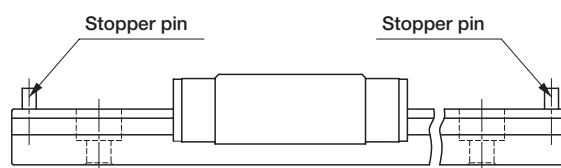
Capillary plate /Q

U.S. PATENT NO. 6,190,046
NO. 6,176,617
NO. 6,082,899
NO. 5,967,667



The capillary plate is assembled inside the end seal of the slide unit. It is impregnated with lubricant so that re-lubrication interval can be made longer. For the total length of the slide unit with capillary plate, see the description of each series.

Track rail with stopper pins /S



To prevent the slide unit of Linear Way L from slipping off, a stopper pin is provided at both ends of the track rail. For related dimensions, see the description of Linear Way L.

Seal for special environment /RE

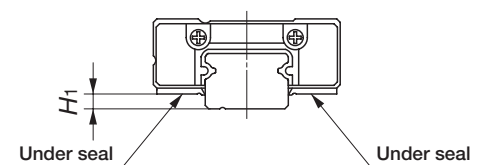
The standard end seals and under seals are changed to seals for special environment that can be used at high temperature.

Butt-jointing interchangeable track rail (for interchangeable specification) /T

A special interchangeable track rail of which both ends are finished for butt-jointing is provided. Use the track rails having the same interchangeable code for butt-jointing. For the non-interchangeable specification, indicate "butt-jointing track rail (/A)".

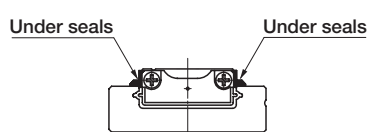
With under seals

U.S. PATENT NO. 5,464,288
NO. 5,356,223
NO. 5,324,116
NO. 5,306,089
NO. 5,209,575



To prevent foreign substances intruding from the lower side of Linear Way, seals are provided on the bottom faces of slide unit. For size H_1 , see the description of each series.

With upper seals



For C-Sleeve Linear Way MUL and Linear Way LWUL, rubber seals are attached to upper side face of the slide unit to prevent foreign materials from entering from the upper side. For dimensions with upper seals, please see the description of each series.

With double end seals (for single slide unit)

Double end seals are provided on the interchangeable slide unit for more effective dust protection. For the total length of the slide unit with double end seals, see the description of each series.

①

Double end seals are provided at both ends of the slide unit.

②

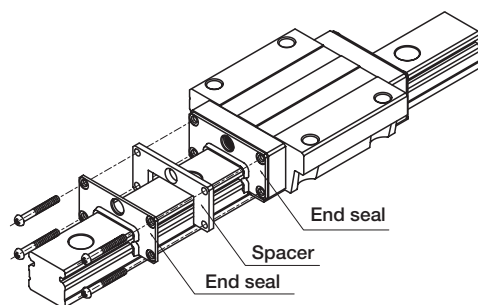
Double end seals are provided at the right end of the slide unit in sight of **IKO** mark.

③

Double end seals are provided at the left end of the slide unit in sight of **IKO** mark.

With double end seals (for assembled set)

Double end seals are provided on the slide unit of assembled set of interchangeable specification or non-interchangeable specification for more effective dust protection. For the total length of the slide unit with double end seals, see the description of each series.



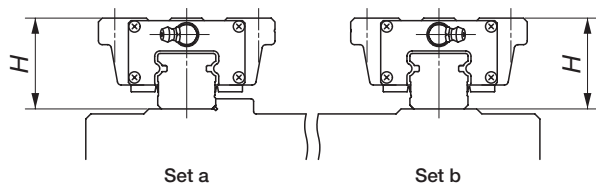
①

Double end seals are provided at the ends of slide units which are the closest to the ends of the track rail. (In case only one slide unit is assembled, double end seals are provided at both ends.)

②

Double end seals are provided at all ends of all slide units. (Applicable when the number of slide units is two or more. In case only one slide unit is assembled, indicate "V".)

Matched sets to be used as an assembled group /W



For two or more sets of Linear Way or Linear Roller Way used on the same plane, the dimensional variation of H of Linear Way or Linear Roller Way is kept within the specified range.

The dimensional variation of dimension H in matched sets is the same as that of a single set.

Indicate the number of sets after "/W".

Specified grease

/YCG /YCL /YBR /YNG

The type of pre-packed grease in the slide unit can be changed by a supplemental code.

- ① /YCG
IKO Low Dust Generation Grease for Clean Environment CG2 is pre-packed.
- ② /YCL
IKO Low Dust Generation Grease for Clean environment CGL is pre-packed.
- ③ /YBR
MOLYCOTE BR2 Plus Grease (Dow Corning) is pre-packed.
- ④ /YNG
No grease is pre-packed.

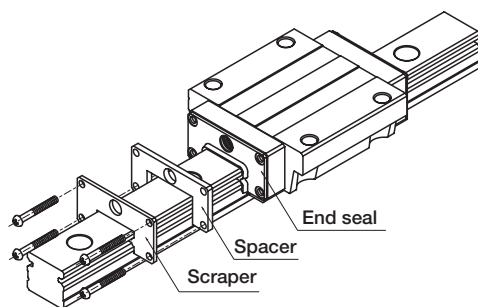
With scrapers (for single slide unit) /Z /ZR /ZL

Metal scrapers are provided on the slide unit of interchangeable specification. The scraper (non-contact type) is used to effectively remove large particles of dust or foreign matter adhering to the track rail. For the total length of the slide unit with scrapers, see the description of each series.

- ① /Z
Scrapers are provided at both ends of the slide unit.
- ② /ZR
A scraper is provided at the right end of the slide unit in sight of **IKO** mark.
- ③ /ZL
A scraper is provided at the left end of the slide unit in sight of **IKO** mark.

With scrapers (for assembled set) /Z /ZZ

Metal scrapers are provided on the slide unit of assembled set of interchangeable specification or non-interchangeable specification. The scraper (non-contact type) is used to effectively remove large particles of dust or foreign matter adhering to the track rail. For the total length of the slide unit with scrapers, see the description of each series.



- ① /Z
Scrapers are provided at the ends of slide units which are the closest to the ends of the track rail. (In case only one slide unit is assembled, scrapers are provided at both ends.)
- ② /ZZ
Scrapers are provided at all ends of all slide units. (Applicable when the number of slide units is two or more. In case only one slide unit is assembled, indicate "/Z".)

Lubrication and Dust Protection

IKO Linear Way and Linear Roller Way are most generally lubricated with grease, which allows for easy lubrication control. A grease nipple for grease replenishment is provided on each slide unit of Linear Way and Linear Roller Way of standard specification (except some models). Parts such as piping joints are also available, and can be delivered if required.

IKO Linear Way and Linear Roller Way are provided with special rubber seals for dust protection. But, if a large amount of fine contaminants are present, or if large particles of foreign matter may fall on the track rail, it is recommended to provide bellows and other protective covers.

The size 2, 3, 4, and 6 models of Linear Way L are not provided with seals.

● Pre-packed grease

A high quality lithium-soap base grease shown in Table 6 is pre-packed in **IKO** Linear Way and Linear Roller Way. A special grease can be pre-packed by specifying "Specified grease" of the special specification on page 95. For the interval and amount of grease replenishment, see "General description".

Table 6 Pre-packed grease list

Series	Pre-packed grease
C-Sleeve Linear Way ML	MULTEMP PS No.2 (KYODO YUSHI)
C-Sleeve Linear Way ME	ALVANIA EP GREASE 2 (SHELL)
C-Sleeve Linear Way MH	
C-Sleeve Linear Way MUL	MULTEMP PS No.2 (KYODO YUSHI)
Linear Way L	ALVANIA EP GREASE 2 (SHELL)
Linear Way E	
Low Decibel Linear Way E	
Linear Way H ⁽¹⁾	
Linear Way F	
Linear Way U ⁽²⁾	
Linear Roller Way Super X	
Linear Roller Way X	
Linear Way Module	

Note⁽¹⁾ : For size 8 to 12 models, MULTEMP PS No.2 is pre-packed.

(²) : For size 25 and 30 models, MULTEMP PS No.2 is pre-packed.

● Parts for lubrication

IKO Linear Way and Linear Roller Way are provided with a grease nipple or oil hole for grease replenishment. Table 7 shows parts for lubrication applicable to each series. However, Linear Way L Ball Non-retained type is not provided a grease nipple and oil hole. For re-lubrication of this type, apply grease directly to the raceways of the track rail.

Table 7.1 Parts for lubrication

Series	Model code	Size	Grease nipple		Nominal size of female threads for piping	
			Type	Applicable supply nozzle type		
C-Sleeve Linear Way ML	ML	5 7 9 12	Oil hole	Mini-grease injector		—
		15 20	A-M3	A-5120V B-5120V	A-5240V B-5240V	—
		25	B-M4	A-8120V B-8120V		M4
	MLF	10 14 18 24	Oil hole	Mini-grease injector		—
		30 42	A-M3	A-5120V B-5120V	A-5240V B-5240V	—
	C-Sleeve Linear Way ME	ME	15	A-M4	A-5120V B-5120V	A-5240V B-5240V
20 25			B-M6	Grease gun available on the market		M6
C-Sleeve Linear Way MH	MH	15	A-M4	A-5120V B-5120V	A-5240V B-5240V	—
		20 25	B-M6	Grease gun available on the market		M6
C-Sleeve Linear Way MUL	MUL	25 30	Oil hole	Mini-grease injector		—
Linear Way L Ball Retained type	LWL ...B	5 7 9 12	Oil hole	Mini-grease injector		—
		15 20	A-M3	A-5120V B-5120V	A-5240V B-5240V	—
		25	B-M4	A-8120V B-8120V		M4
	LWLF...B	10 14 18 24	Oil hole	Mini-grease injector		—
		30 42	A-M3	A-5120V B-5120V	A-5240V B-5240V	—
	Linear Way E	LWE	15	A-M4	A-5120V B-5120V	A-5240V B-5240V
20 25 30			B-M6	Grease gun available on the market		M6
35 45			JIS B type	Grease gun available on the market		PT1/8
Low Decibel Linear Way E	LWE...Q	15	A-M4	A-5120V B-5120V	A-5240V B-5240V	M4
		20 25 30	B-M6	Grease gun available on the market		M6
		35	JIS B type	Grease gun available on the market		PT1/8

Remark : The above table shows representative model codes, but is applicable to all other models.

When "Oil hole" is described in the grease nipple column, an oil hole is provided in place of a grease nipple.

Table 7.2 Parts for lubrication

Series	Model code	Size	Grease nipple		Nominal size of female threads for piping	
			Type	Applicable supply nozzle type		
Linear Way H	LWH...B	8 10	Oil hole	Mini-grease injector		-
		12	A-M3	A-5120V B-5120V	A-5240V B-5240V	-
		15	A-M4	A-5120V B-5120V	A-5240V B-5240V	M4
		20 25 30	B-M6	Grease gun available on the market		M6
		35 45 55 65 85	JIS B type			PT1/8
Linear Way F	LWFH	40 60 90	JIS A-M6F	Grease gun available on the market		M6
	LWFF LWFS	33	A-M3			A-5120V B-5120V
		37	A-M4	A-5120V B-5120V	A-5240V B-5240V	M4
		42 69	B-M6	Grease gun available on the market		M6
Linear Way U	LWUL...B	25 30	Oil hole	Mini-grease injector		-
	LWU...B LWU	40 50	A-M4	A-5120V B-5120V	A-5240V B-5240V	M4
		60 86 100 130	JIS A-M6F	Grease gun available on the market		M6
Linear Roller Way Super X	LRX	12	A-M3	A-5120V B-5120V	A-5240V B-5240V	-
		15	A-M4	A-5120V B-5120V	A-5240V B-5240V	M4
		20 25	B-M4	A-8120V B-8120V		M4
		30	B-M6	Grease gun available on the market		M6
		35	JIS A-M6F			M6
		45 55 65 85	JIS A-PT1/8			PT1/8
		100	JIS A-PT1/4			PT1/4
25 35	JIS A-M6F	M6				
Linear Roller Way X	LRWX...B	45 55 75	JIS A-PT1/8	Grease gun available on the market		PT1/8

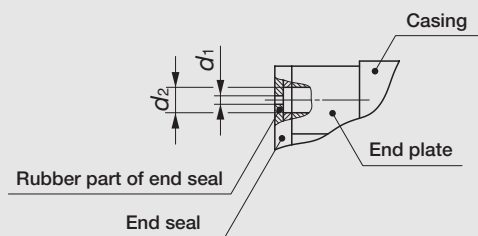
Remark : The above table shows representative model codes, but is applicable to all other models.

When "Oil hole" is described in the grease nipple column, an oil hole is provided in place of a grease nipple.

● Oil hole

Some models of C-Sleeve Linear Way ML, C-Sleeve Linear Way MUL, Linear Way L Ball Retained type and Linear Way H are provided with an oil hole as shown in Table 8. (See also Table 7.) For grease replenishment, use a syringe type dispenser. The specially prepared miniature greaser is also available.

Table 8 Oil hole



Series	Size	Oil hole size	
		d ₁	d ₂
C-Sleeve Linear Way ML	5 10	0.5	1.1
	7 14		1.2
	9 18		1.5
	12 24		2
C-Sleeve Linear Way MUL	25	0.5	1.2
	30		1.5
Linear Way L Ball Retained type	5 10	0.5	1.1
	7 14		1.2
	9 18		1.5
	12 24		2
Linear Way H	8 10	0.5	1.5
Linear Way U	25	0.5	1.2
	30		1.5

unit : mm

● Miniature greaser

The miniature greaser is specially prepared for grease replenishment for Linear Way with an oil hole shown in Table 8. Table 9 shows the types of grease and specifications of the miniature greaser.



Table 9 Specifications

Identification number	Grease name	Content	Outside diameter of injector needle
MG10/MT2	MULTEMP PS No.2 (KYODO YUSHI)	10ml	φ 1mm
MG10/CG2	IKO Low Dust Generation Grease for Clean Environment CG2		
MG2.5/CG2	IKO Low Dust Generation Grease for Clean Environment CG2	2.5ml	
MG2.5/CGL	IKO Low Dust Generation Grease for Clean Environment CGL		

● Grease nipple and supply nozzle

Tables 10.1 and 10.2 show the specifications of grease nipples and applicable types of supply nozzles. Table 11 shows the specifications of supply nozzles.

Table 10.1 Grease nipples and applicable supply nozzles

Grease nipple		Applicable supply nozzle	
Type	Shape and dimension	Type	Shape
A-M3		A-5120V A-5240V B-5120V B-5240V	Straight type
A-M4			Straight type with angle
B-M4		A-8120V B-8120V	

Table 10.2 Grease nipples and applicable supply nozzles

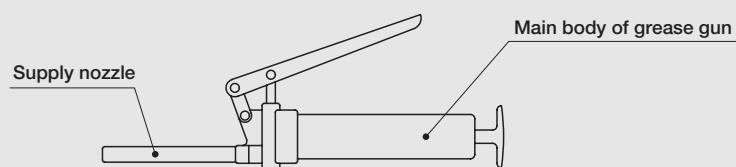
Grease nipple		Applicable supply nozzle	
Type	Shape and dimension	Type	Shape
B-M6			
JIS A-M6F			<p>Straight type</p>
JIS A-PT1/8		Product available on the market	<p>Chuck type</p>
JIS B type			<p>Hose type</p>
JIS A-PT1/4			

Note(1) : For straight type, chuck type and hose type supply nozzles available on the market, it is recommended to use one with an outside diameter (D) of 13 mm or less.

Table 11 Applicable supply nozzles

Type	Shape and dimension
A-5120V	
A-5240V	
B-5120V	
B-5240V	
A-8120V	
B-8120V	

Remark : The supply nozzles shown in the table can be mounted on the main body of a common grease gun available on the market (shown below).
If these supply nozzles are required, consult **IKO** by specifying the supply nozzle type.



● Pipe joints

When applying centralized grease or oil lubrication, detach the grease nipple or stop cock from the slide unit, and replace them with pipe joints, which are prepared for various piping female thread sizes. Use them after comparing the dimension of the pipe joints and the dimension H_3 in the dimension table of each series, because the top face of some pipe joints is at the same or higher level with the top face of slide unit. Fig. 4.1 and 4.2, Tables 12.1, 12.2, 13.1 and 13.2 show model numbers and dimensions of pipe joints. Note that some of them are not applicable for the slide units of special specifications. Pipe joints can be mounted on Linear Way and Linear Roller Way prior to delivery upon request. Consult **IKO** for further information.

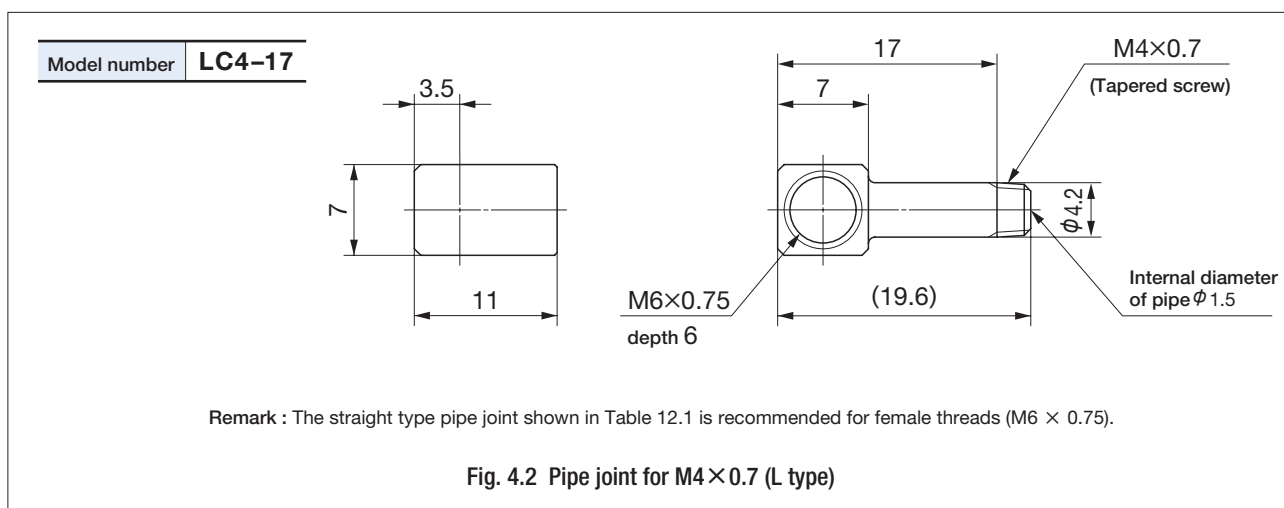
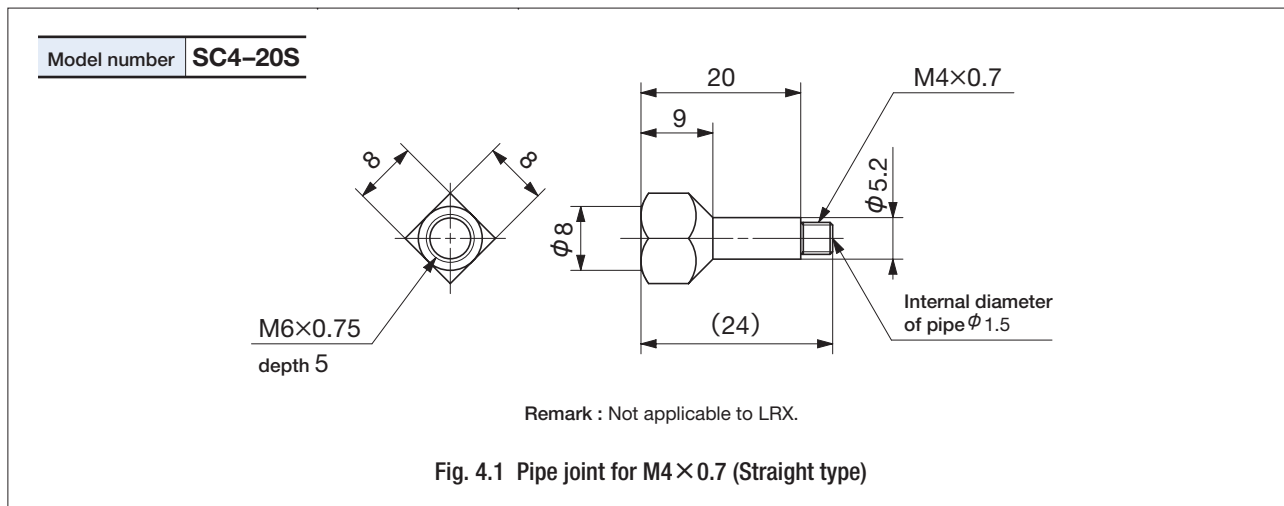
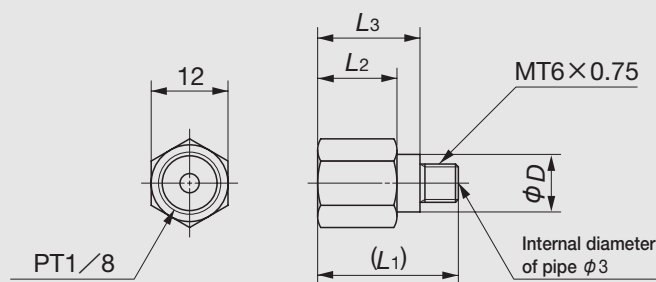
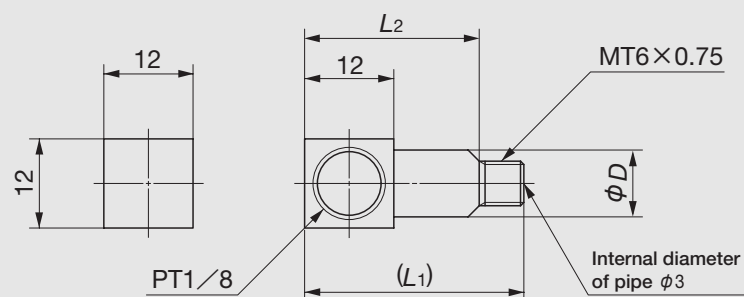


Table 12.1 Pipe joint for M6 × 0.75 (Straight type)



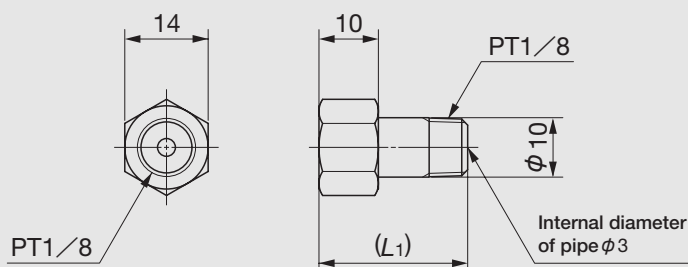
unit : mm				
Model number	L_1	L_2	L_3	D
SC6-16	22	12.4	16	9
SC6-22S	28	12	22	6
SC6-25S	31	12	25	6

Table 12.2 Pipe joint for M6 × 0.75 (L type)



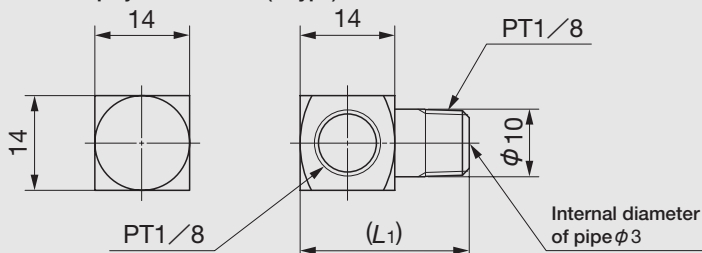
unit : mm			
Model number	L ₁	L ₂	D
LC6-18	25	18	9
LC6-22S	28	—	6
LC6-24	30.5	23.5	9
LC6-25S	31	—	6

Table 13.1 Pipe joint for PT1/8 (Straight type)



unit : mm	
Model number	L ₁
SC1/8-19S	25
SC1/8-34S	40

Table 13.2 Pipe joint for PT1/8 (L type)



unit : mm	
Model number	L ₁
LC1/8-19S	25
LC1/8-34S	40

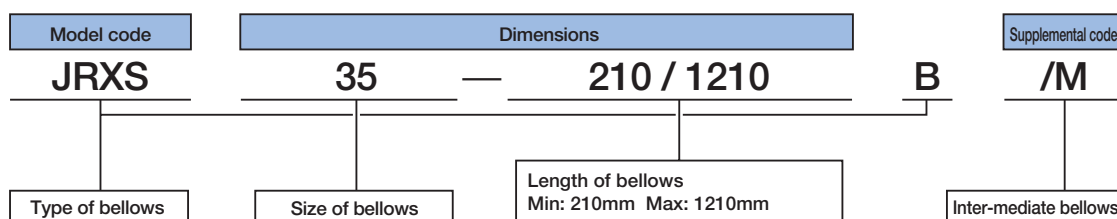
● Bellows

Dimensions of bellows specially prepared for **IKO** Linear Way and Linear Roller Way are shown in Tables 15.1 and 15.2. These bellows are manufactured to match the dimensions of each series for easy mounting and effective dust protection.

For special bellows to be used in an upside-down position or those made of heat-resistant material, consult **IKO** for further information.

Identification number of bellows

The identification number of bellows consists of a model code, dimensions, and any supplemental codes. Its standard arrangement is shown below.



Calculation of minimum length of bellows

The minimum necessary length of bellows is determined, by first calculating the necessary number of accordion pleats as follows.

$$ns = \frac{S}{\ell_{Smax} - \ell_{Smin}}$$

where, ns : Number of pleats (Raise decimal fractions.)

S : Length of stroke, mm

ℓ_{Smax} : Maximum length of one pleat (See Tables 15.1 and 15.2.)

ℓ_{Smin} : Minimum length of one pleat (See Tables 15.1 and 15.2.)

$$L_{min} = ns \times \ell_{Smin} + m \times 5 + 10$$

$$L_{max} = S + L_{min}$$

where, L_{min} : Minimum length of bellows, mm

L_{max} : Maximum length of bellows, mm

m : Number of internal guide plates (See Table 14.)

Table 14 Number of internal guide plates

Type of bellows	Dimension P of bellows (1) mm		Number of internal guide plates, m
	over	incl.	
JEF JRES	—	35	$m = \frac{ns}{7} - 1$
JES JHS JFS JRXS...B	—	22	$m = \frac{ns}{16}$ but $m=0$, when $ns \leq 20$
	22	25	$m = \frac{ns}{12}$ but $m=0$, when $ns \leq 18$
	25	35	$m = \frac{ns}{8}$

Note(1) : For dimension P , see Tables 15.1 and 15.2.

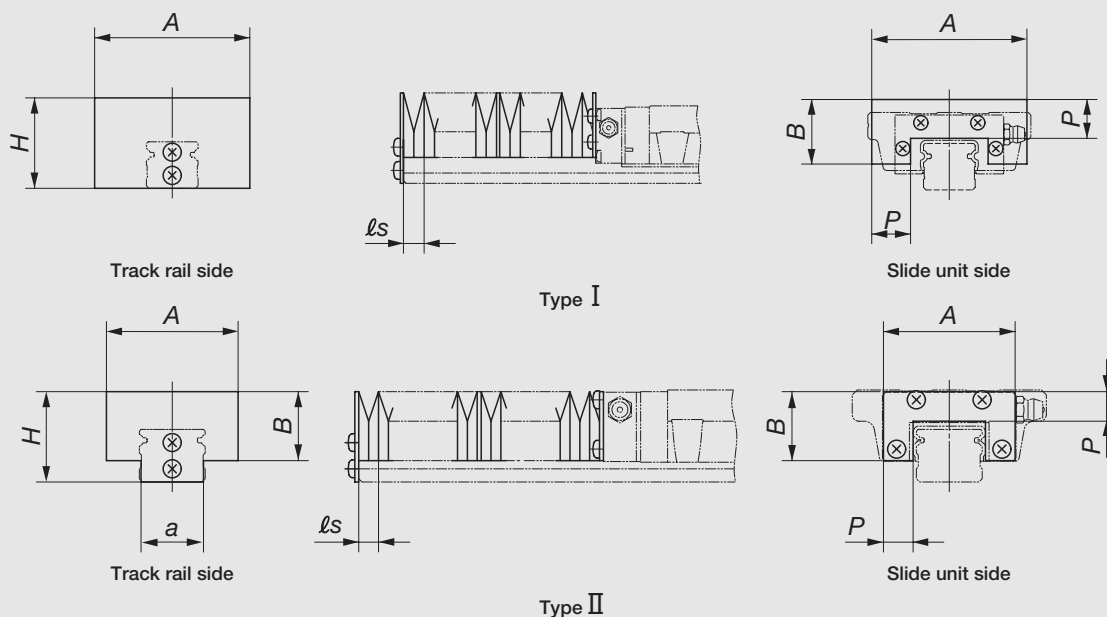
Remark : In calculating the number of internal guide plates m , raise the decimal fractions for JEF and JRES and omit the decimal fractions for others.

Intermediate bellows

Another type of mounting plate is used for mounting bellows between slide units. Add the supplemental code "/M" onto the identification number when ordering.

Reinforced bellows are also available, which are specially designed for use on long track rails or for lateral mounting. The width A of reinforced bellows is greater than that of standard type bellows. For these reinforced bellows, consult **IKO**.

Table 15.1 Dimensions of bellows and applicable models



unit : mm

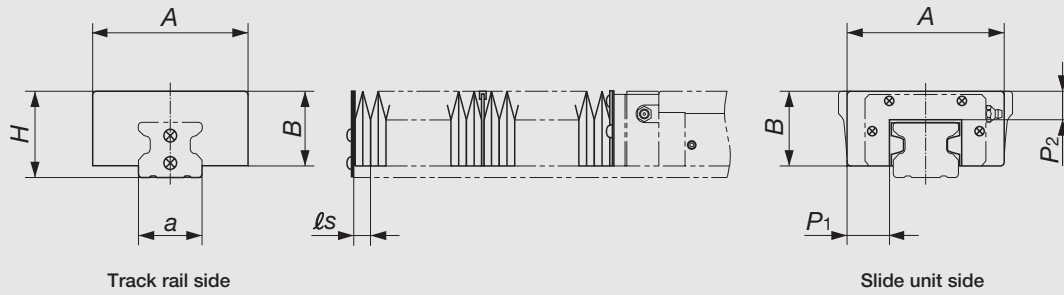
Series	Size	Bellows model code	Type	H	A	a	B	P	lsmin	lsmax
C-Sleeve Linear Way ME	15	JEF15	II	23.5	34	14	17	8	2	9
	20	JEF20		27.5	40	19	21	9	2	10
	25	JEF25		32	46	22	24	10	2	11
C-Sleeve Linear Way MH	15	JHS15	I	31 ⁽²⁾	55	-	19.5	15	2	14
	20	JHS20		35 ⁽²⁾	60	-	25	15	2	14
	25	JHS25		39 ⁽²⁾	64	-	29.5	15	2	14
Linear Way E	15	JEF15	II	23.5	34	14	17	8	2	9
	20	JEF20		27.5	40	19	21	9	2	10
	25	JEF25		32	46	22	24	10	2	11
	30	JES30		42	70	27	35	15	2	14
	35	JES35		48	85	33	40	18	2	18.5
	45	JES45		60	105	44	50	22	2	23.5
Linear Way H ⁽¹⁾	15	JHS15	I	31 ⁽²⁾	55	-	19.5	15	2	14
	20	JHS20		35 ⁽²⁾	60	-	25	15	2	14
	25	JHS25		39 ⁽²⁾	64	-	29.5	15	2	14
	30	JHS30		42	70	-	35	15	2	14
	35	JHS35		48	85	-	40	18	2	18.5
	45	JHS45		60	105	-	50	22	2	23.5
	55	JHS55		70	120	-	57	25	2	28
	65	JHS65		90	158	-	76	35	2	42
Linear Way F	33	JFFS33	II	26 ⁽²⁾	66 ⁽³⁾	-	23	15	2	15
	37	JFFS37	II	27.5 ⁽²⁾	70 ⁽³⁾	-	24	15	2	15
	40	JFS40	I	32 ⁽²⁾	80	-	27	15	2	14
	42	JFFS42	II	30.5 ⁽²⁾	76 ⁽³⁾	-	27.5	15	2	15
	60	JFS60	I	36 ⁽²⁾	100	-	30	15	2	14
	69	JFFS69	II	36 ⁽²⁾	106	-	31.5	15	2	15
	90	JFS90	I	50	150	-	43	22	2	23.5

Note⁽¹⁾ : Not applicable for LWHY series.

⁽²⁾ : The height of bellows may become higher than the height H of Linear Way. Check H dimension of Linear Way shown in the table of dimensions of each series.

⁽³⁾ : The width of bellows may become larger than the width W₂ of Linear Way. Check W₂ dimension of Linear Way shown in the table of dimensions of each series.

Table 15.2 Dimensions of bellows and applicable models



unit : mm

Series	Size	Bellows model code	H	A	a	B	P ₁	P ₂	ℓsmin	ℓsmax
Linear Roller Way Super X	15	JRES 15	34 ⁽¹⁾	55	14	30	17.5	15	2	15
	20	JRES 20	39 ⁽¹⁾	60	19	34	15	15	2	15
	25	JRES 25	42 ⁽¹⁾	65	22	36	16.5	15	2	15
	30	JRES 30	46 ⁽¹⁾	70	27	39.5	15	15	2	15
	35	JRES 35	48	88	33	41.5	24	15	2	15
	45	JRES 45	60	108	44	52	29	20	2	21
	55	JRES 55	70	122	52	61	31	22	2	23.5
	65	JRES 65	88	140	61	76	25	25	2	30
	85	JRES 85	107	180	82	89	30	30	2	36
	100	JRES100	115	214	96	100	35	35	2	45
Linear Roller Way X	25	JRXS25···B	40	60	22	34	15	12	2	10
	35	JRXS35···B	48	88	34	41.5	24	15	2	14
	45	JRXS45···B	60	108	44	52	29	20	2	21
	55	JRXS55···B	70	122	54	61	31	22	2	23.5
	75	JRXS75···B	90	160	74	80	40	30	2	36

Note(1) : The height of bellows may become higher than the height H of Linear Roller Way. Check H dimension of Linear Roller Way shown in the table of dimensions of each series.

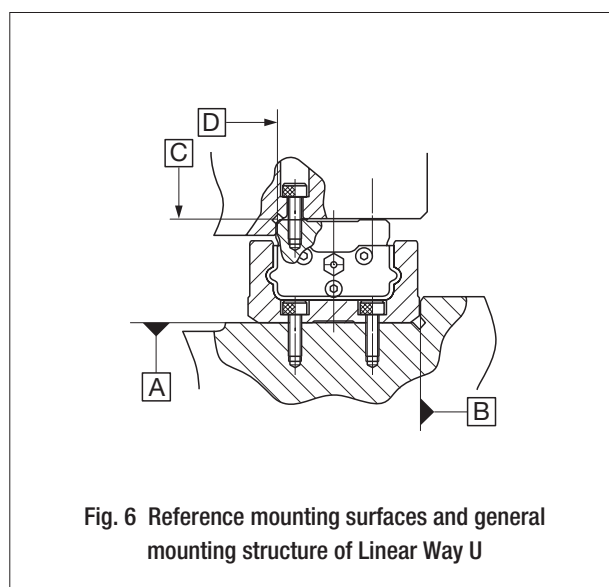
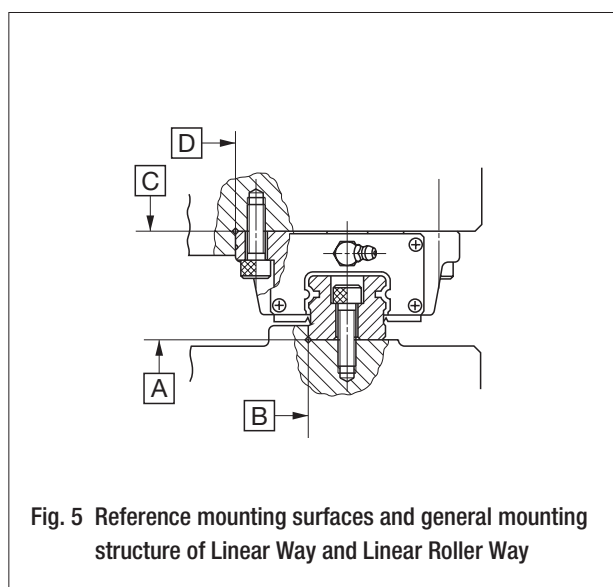
Precautions for Use

● Mounting structure

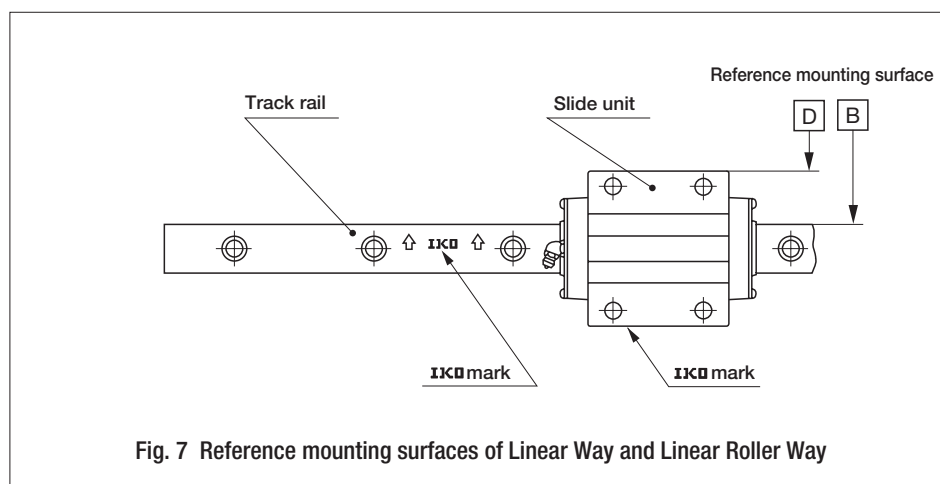
Mounting surface, reference mounting surface, and general mounting structure

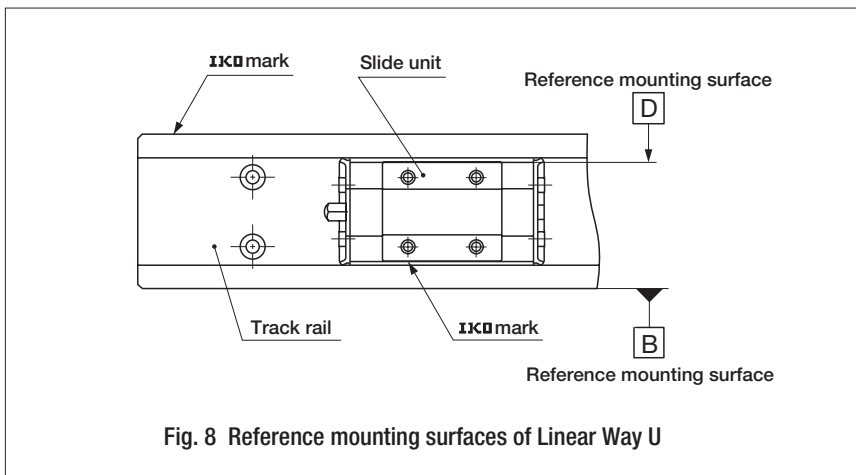
To mount Linear Way or Linear Roller Way, correctly fit the reference mounting surfaces B and D of the slide unit and the track rail to the reference mounting surfaces of the table and the bed, and then fix them tightly. (See Figs. 5 and 6.)

The reference mounting surfaces B and D and mounting surfaces A and C of Linear Way or Linear Roller Way are accurately finished by grinding. Stable and high accuracy linear motion can be obtained by finishing the mating mounting surfaces of machines or equipment with high accuracy and correctly mounting the guide on these surfaces.



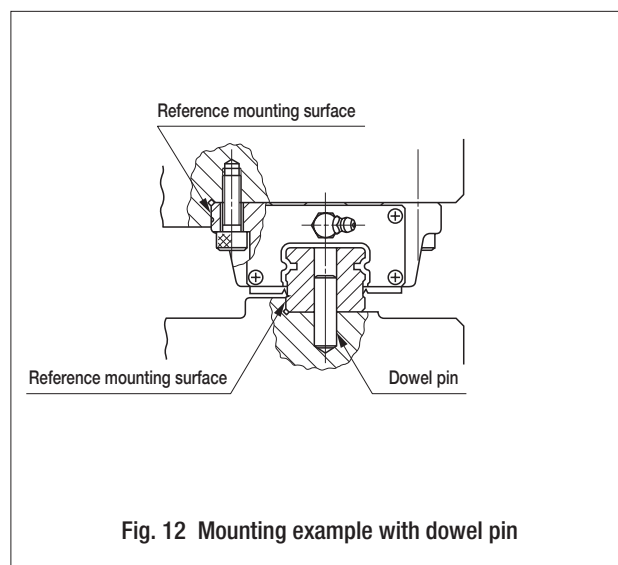
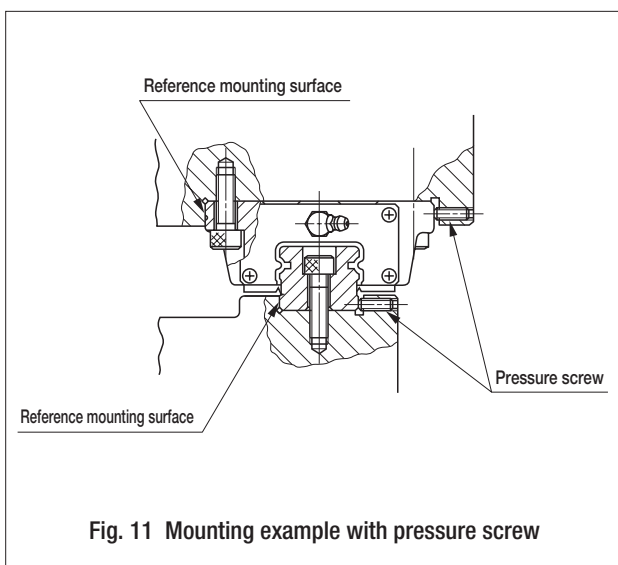
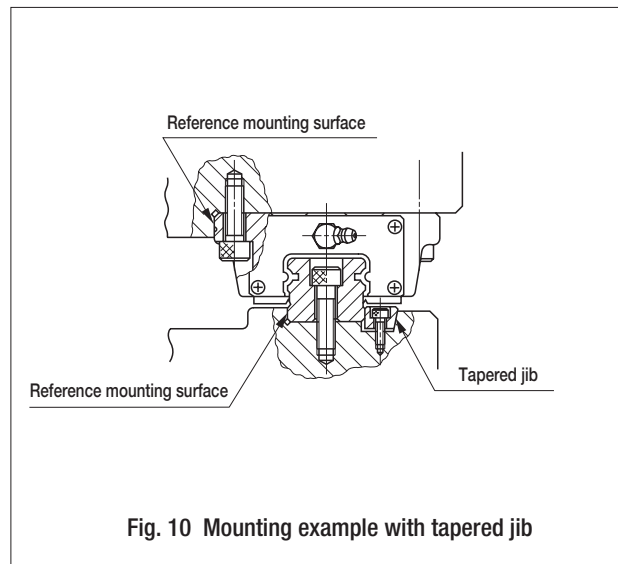
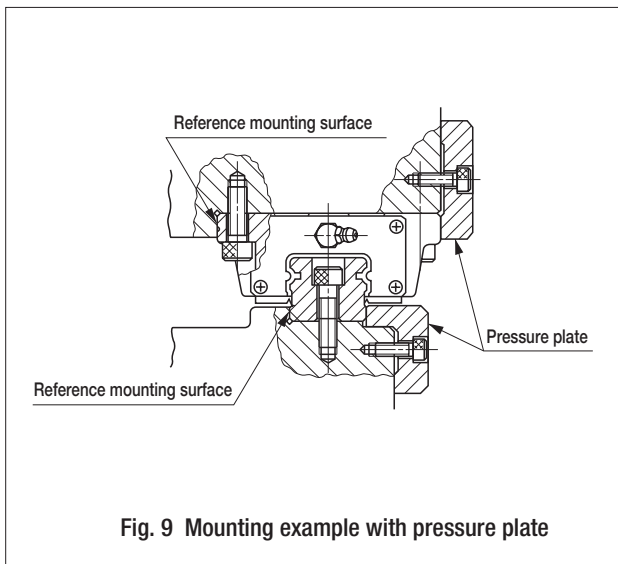
The slide unit reference mounting surface is always the side surface opposite to the **IKO** mark. The track rail reference mounting surface is identified by locating the **IKO** mark on the top surface of the track rail. The track rail reference mounting surface is the side surface above the **IKO** mark (in the direction of the arrow). (See Figs. 7 and 8.)





Load direction and mounting structure

When a lateral load, alternate load, or fluctuating load is applied to Linear Way or Linear Roller Way, firmly fix the side faces of the slide unit and track rail as shown in Fig. 9 and Fig. 10. When the applied load is small or the operating conditions are not too severe, mounting methods shown in Fig. 11 and Fig. 12 are also used.

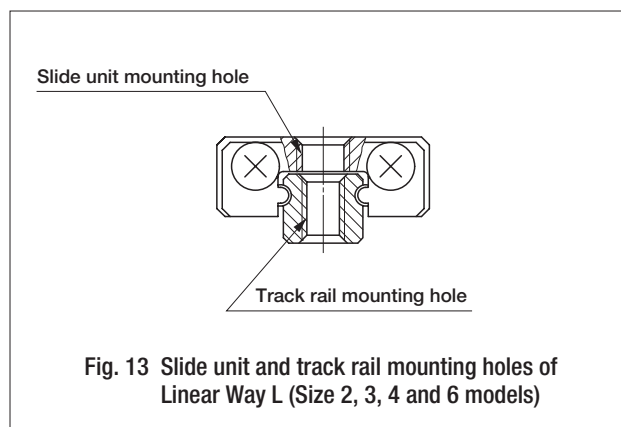


Mounting of Linear Way L (For the size 2, 3, 4 and 6)

The general mounting structure of Linear Way L is similar to that shown in Fig. 5. The slide unit of this series is mounted by tightening bolts in the female threads of the slide unit.

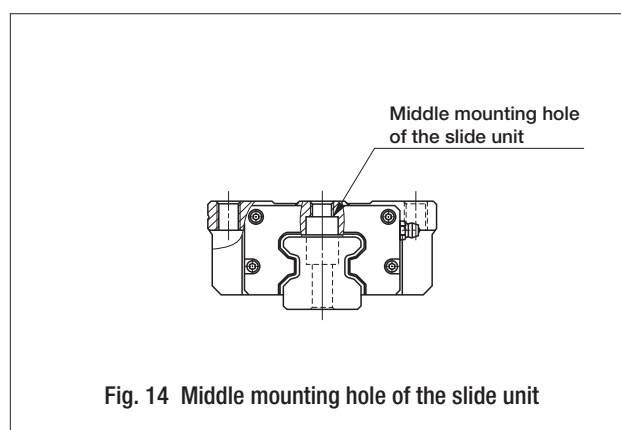
For the size 2, 3, 4 and 6 models, the female threads for mounting the slide unit and the track rail are through holes. (See Fig. 13.) If the fixing depth of the mounting bolts is too long, the bolts will interfere with the slide unit or track rail, resulting in poor traveling accuracy and short life. The fixing depth of the mounting bolts should be kept within the values shown in the table of dimensions.

The mounting bolts for the track rail are not appended to the tapped rail specification products. Prepare bolts with a fixing depth not exceeding H_4 shown in the dimension table.



Mounting of Linear Roller Way Super X and Linear Roller Way X slide unit

The general mounting structure of Linear Roller Way Super X and Linear Roller Way X slide unit is similar to that shown in Fig. 5. Some slide units are provided with one or two mounting thread holes in the middle of width (See Fig. 14.) so that an applied load can be received with good load balance. When designing machines or equipment, ensure that these middle mounting holes of the slide unit can be securely tightened to obtain maximum performance of the guide.



Mounting of Linear Way Module

Fig. 15 shows the standard mounting structure of Linear Way Module. As a convenient means to eliminate play or give preload, preload adjusting screws are often used in linear motion rolling guides.

Set the preload adjusting screws at the positions of fixing bolts of slide member and in the middle of the height of slide member, and then press the slide member by tightening the screw.

For mounting the slide member of Linear Way LM, it is recommended to fix the slide member from the table side, because the allowance for preload adjustment in the bolt hole of slide member is small. In this case, the bolt hole and the counter bore in the table should be made larger to give the adjustment allowance.

The preload amount differs depending on the operating conditions of machines or equipment. An excessive preload will result in short bearing life and raceway damage. The preload amount for general application should be adjusted to a zero or slight minus clearance in the ideal case.

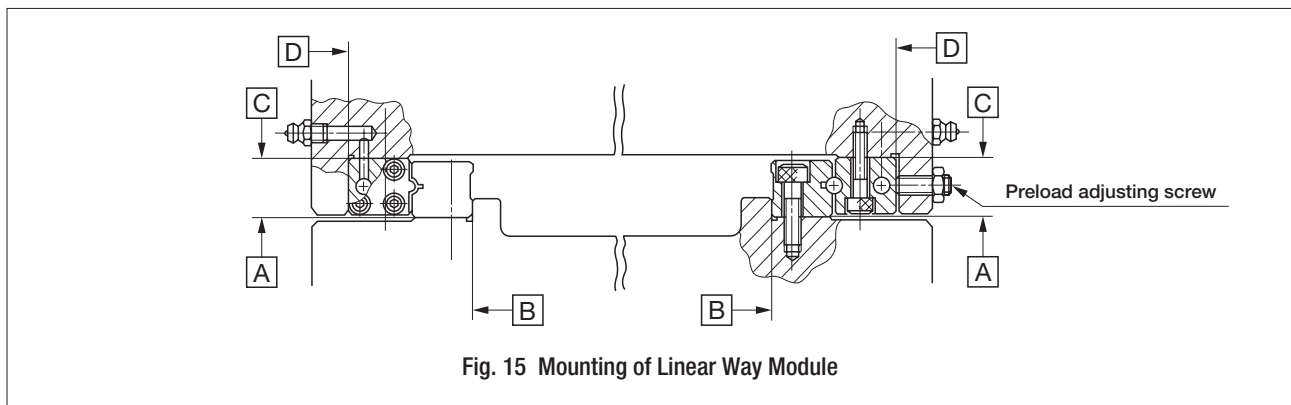


Fig. 15 Mounting of Linear Way Module

● Specifications of mounting parts

Accuracy of mounting surfaces

The life and other performances of Linear Way and Linear Roller Way are greatly affected by the accuracy of the mounting surfaces of machines and equipment and the mounting accuracy. Poor accuracy may result in producing a larger load than the calculated load, and eventually lead to short life, etc.

Reliable operation of linear motion rolling guide is ensured by providing high manufacturing and mounting accuracy of mounting parts and designing a mounting structure so as to keep the accuracy and performance, while considering the required linear motion accuracy, rigidity and other related operating conditions.

As an example, the standard values of parallelism between two track rail mounting surfaces when multiple sets are used, are shown in Table 30 on page 126.

Corner radius and shoulder height of reference mounting surfaces

It is recommended to make a relieved fillet at the corner of the mating reference mounting surfaces as shown in Fig. 16. However, in some series, corner radii R_1 and R_2 shown in Fig. 17 can also be used. Tables 16.1 to 27.3 show recommended shoulder heights and corner radii of the mating reference mounting surfaces.

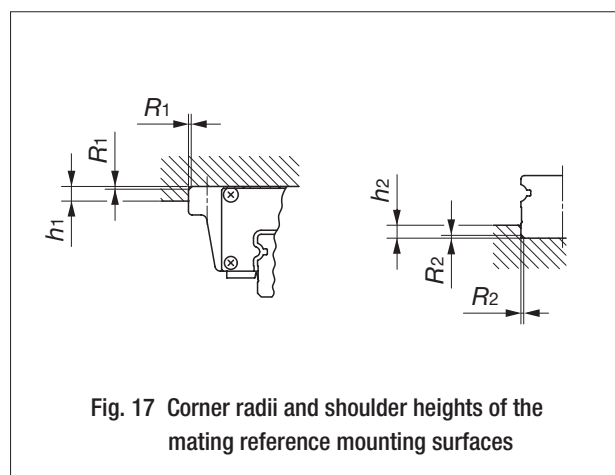
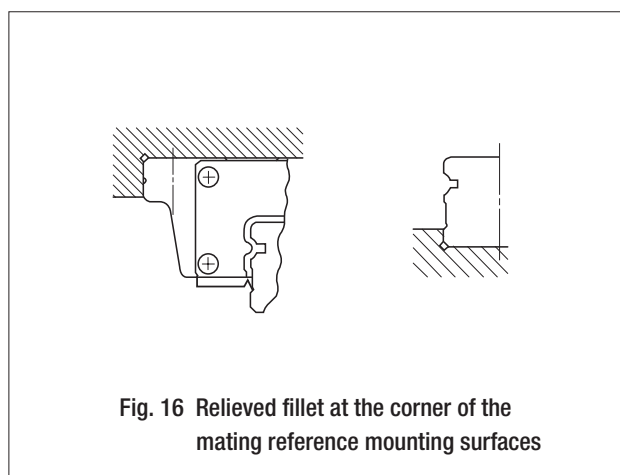
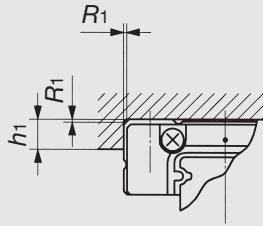
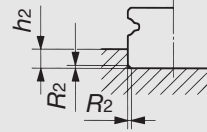


Table 16.1 Shoulder heights and corner of the mating reference mounting of C-Sleeve Linear Way ML standard type



Slide unit



Track rail

unit : mm

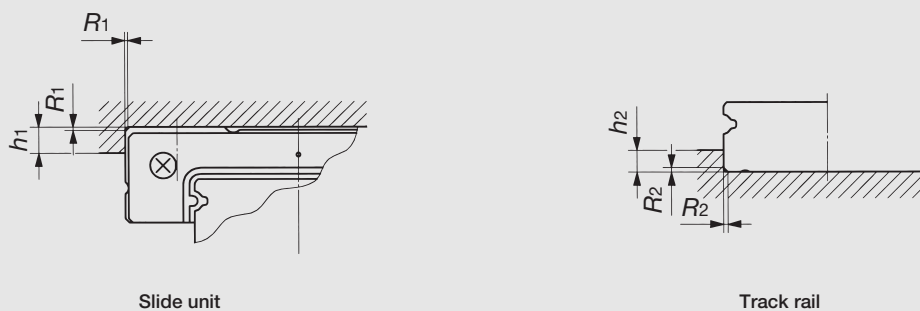
Model number	Slide unit		Track rail	
	Shoulder height h_1	Corner radius R_1 (max.)	Shoulder height ⁽¹⁾ h_2	Corner radius R_2 (max.)
ML 5	2	0.3	0.8	0.2
ML 7	2.5	0.2	1.2	0.2
ML 9	3	0.2	1.5	0.2
ML 12	4	0.2	2.5	0.2
ML 15	4.5	0.2	3	0.2
ML 20	5	0.2	4	0.2
ML 25	6.5	0.7	4	0.7

Note⁽¹⁾ : For models with under seals (/U), it is use h_2 values 1mm smaller than the values in the table.

However, for "with under seals" of the size 9 models, 0.8mm is recommended.

Remark : The above table shows representative model numbers but is applicable to all models.

Table 16.2 Shoulder heights and corner of the mating reference mounting of C-Sleeve Linear Way ML wide rail type



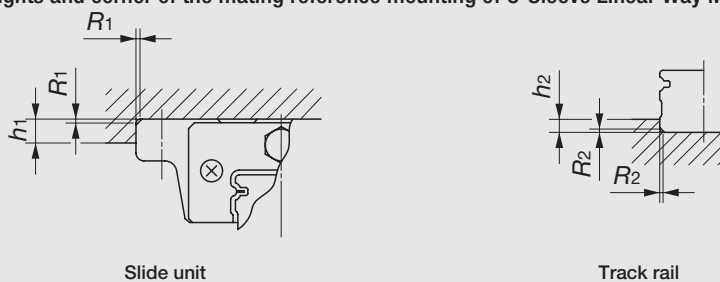
unit : mm

Model number	Slide unit		Track rail	
	Shoulder height h_1	Corner radius R_1 (max.)	Shoulder height ⁽¹⁾ h_2	Corner radius R_2 (max.)
MLF 10	2	0.3	1.2	0.2
MLF 14	2.5	0.2	1.2	0.2
MLF 18	3	0.2	2.5	0.2
MLF 24	4	0.2	2.5	0.2
MLF 30	4.5	0.2	2.5	0.2
MLF 42	5	0.2	3	0.2

Note⁽¹⁾ : For models with under seals (U), it is use h_2 values 1mm smaller than the values in the table.

Remark : The above table shows representative model numbers but is applicable to all models.

Table 17 Shoulder heights and corner of the mating reference mounting of C-Sleeve Linear Way ME

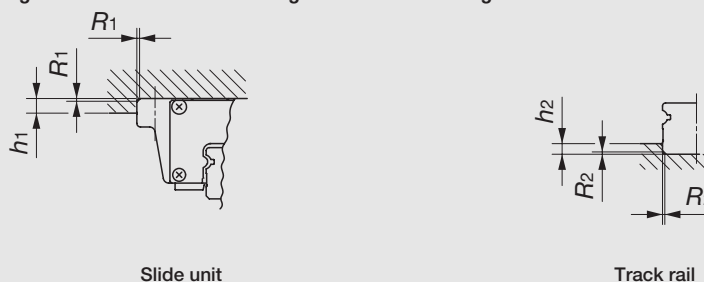


unit : mm

Model number	Slide unit		Track rail	
	Shoulder height h_1	Comer radius R_1 (max.)	Shoulder height h_2	Comer radius R_2 (max.)
ME(T) 15	4	1	3	0.5
MES 15		0.5		
ME(T) 20	5	1	3	0.5
MES 20		0.5		
ME(T) 25	6	1	4	1
MES 25				

Remark : The above table shows representative model numbers but is applicable to all models.

Table 18 Shoulder heights and corner of the mating reference mounting of C-Sleeve Linear Way MH

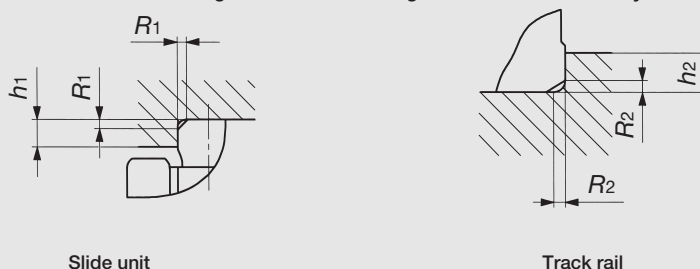


unit : mm

Model number	Slide unit		Track rail	
	Shoulder height h_1	Comer radius R_1 (max.)	Shoulder height h_2	Comer radius R_2 (max.)
MH 15	4	0.5	3	0.5
MH 20	5	0.5	3	0.5
MH 25	6	1	4	1

Remark : The above table shows representative model numbers but is applicable to all models.

Table 19 Shoulder heights and corner of the mating reference mounting of C-Sleeve Linear Way MUL



unit : mm

Model number	Slide unit		Track rail	
	Shoulder height h_1	Comer radius R_1 (max.)	Shoulder height h_2	Comer radius R_2 (max.) (1)
MUL 25	1.5	0.2	2.5	—
MUL 30	2.5	0.2	3	—

Note(1) : Please provide a relieved fillet as shown on Fig.16.

1N=0.102kgf=0.2248lbs.
1mm=0.03937inch

Table 20.1 Shoulder heights and corner radii of the mating reference mounting surfaces of Linear Way L standard type



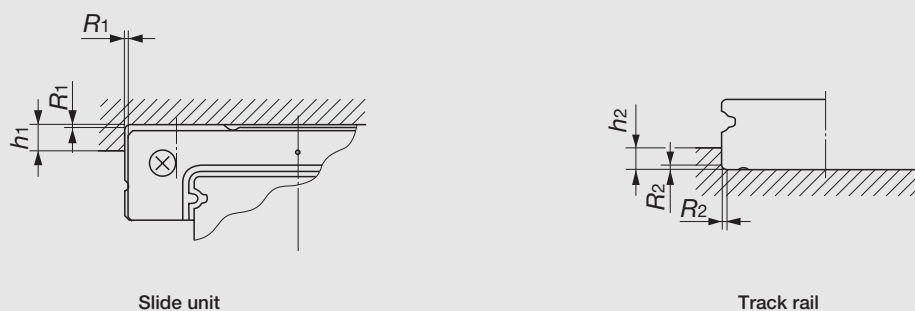
unit : mm

Model number	Slide unit		Track rail	
	Shoulder height h_1	Corner radius R_1 (max.)	Shoulder height ⁽¹⁾ h_2	Corner radius R_2 (max.)
LWL 2	1	0.1	0.5	0.05
LWL 3	1.2	0.15	0.8	0.1
LWL 5···B	2	0.3	0.8	0.2
LWL 5				
LWL 7···B	2.5	0.2	1.2	0.2
LWL 7				
LWL 9···B	3	0.2	1.5	0.2
LWL 9···BCS		0.4		
LWL 9		0.2		
LWL 12···B	4	0.2	2.5	0.2
LWL 12···BCS		0.4		
LWL 12		0.2		
LWL 12···CS		0.4		
LWL 15···B	4.5	0.2	3	0.2
LWL 15···BCS		0.4		
LWL 15	4	0.2		
LWL 15···CS		0.4		
LWL 20···B	5	0.2	4	0.2
LWL 20···BCS		0.4		
LWL 25···B	6.5	0.7	4	0.7

Note⁽¹⁾ : For models with under seals (U), it is recommended to use h_2 values 1mm smaller than the values in the table.
However, for "with under seals" of the size 9 models, 0.8mm is recommended.

Remark : The above table shows representative model numbers but is applicable to all models.

Table 20.2 Shoulder heights and corner radii of the mating reference mounting surfaces of Linear Way L wide rail type



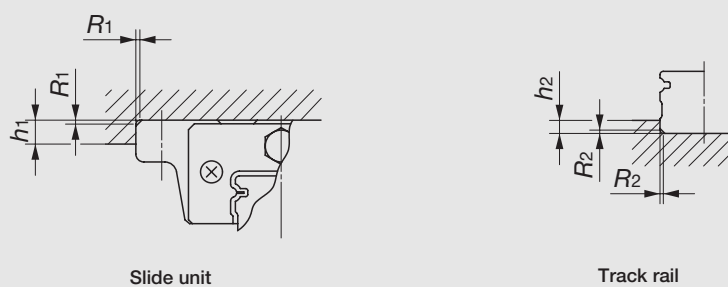
unit : mm

Model number	Slide unit		Track rail	
	Shoulder height h_1	Corner radius R_1 (max.)	Shoulder height ⁽¹⁾ h_2	Corner radius R_2 (max.)
LWLF 4	1.5	0.1	0.8	0.1
LWLF 6	2	0.1	0.8	0.1
LWLF 10 ...B	2	0.3	1.2	0.2
LWLF 14 ...B	2.5	0.2	1.2	0.2
LWLF 14				
LWLF 18 ...B	3	0.2	2.5	0.2
LWLF 18 ...BCS		0.4		
LWLF 18		0.2	1.5	
LWLF 18 ...CS		0.4		
LWLF 24 ...B	4	0.2	2.5	0.2
LWLF 24 ...BCS		0.4		
LWLF 24	3	0.2		
LWLF 24 ...CS		0.4		
LWLF 30 ...B	4.5	0.2	2.5	0.2
LWLF 30 ...BCS		0.4		
LWLF 42 ...B	5	0.2	3	0.2
LWLF 42 ...BCS		0.4		
LWLF 42	4	0.2	2.5	
LWLF 42 ...CS		0.4		

Note⁽¹⁾ : For models with under seals (/U), it is recommended to use h_2 values 1mm smaller than the values in the table.

Remark : The above table shows representative model numbers but is applicable to models.

Table 21 Shoulder heights and corner radii of the mating reference mounting surfaces of Linear Way E

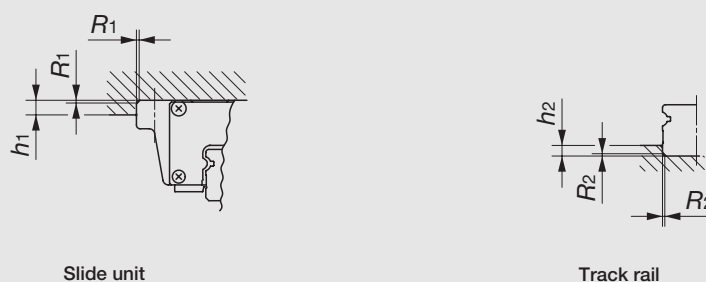


unit : mm

Model number	Slide unit		Track rail	
	Shoulder height h_1	Corner radius $R_1(\text{max.})$	Shoulder height h_2	Corner radius $R_2(\text{max.})$
LWE(T) 15	4	1	3	0.5
LWES 15		0.5		
LWE(T) 20	5	1	3	0.5
LWES 20		0.5		
LWE(T) 25	6	1	4	1
LWES 25				
LWE(T) 30	8	1	5	1
LWES 30				
LWE(T) 35	8	1	6	1
LWES 35				
LWE(T) 45	8	1.5	7	1.5
LWES 45				

Remark : The above table shows representative model numbers but is applicable to all models.

Table 22 Shoulder heights and corner radii of the mating reference mounting surfaces of Linear Way H



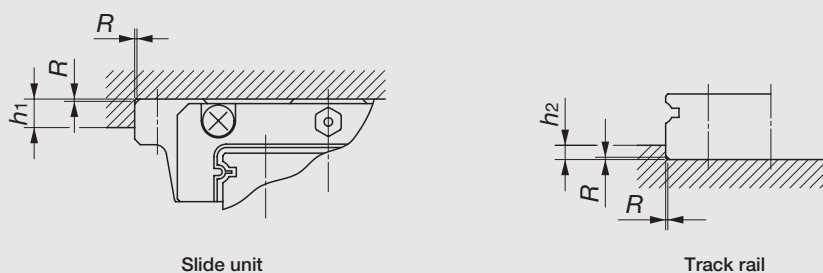
unit : mm

Model number	Slide unit		Track rail	
	Shoulder height h_1	Corner radius $R_1(\text{max.})$	Shoulder height h_2	Corner radius $R_2(\text{max.})$
LWHT 8...SL	3.5	0.5	1.6(1)	0.2
LWHD 8...SL	4	0.5	1.6(1)	0.2
LWHT 10...SL	4.5	0.5	1.9(1)	0.2
LWHD 10...SL	5	0.5	1.9(1)	0.2
LWHT 12	6	0.5	2.7(1)	0.7
LWHD 12	6	0.5	2.7(1)	0.7
LWH 15...B	4	0.5	3	0.5
LWH 20...B	5	0.5	3	0.5
LWH 25...B	6	1	4	1
LWH 30...B	8	1	5	1
LWH 35...B	8	1	6	1
LWH 45...B	8	1.5	7	1.5
LWH 55...B	10	1.5	8	1.5
LWH 65...B	10	1.5	10	1.5

Note(1) : For models with under seals (U), it is recommended to use h_2 values 0.6mm smaller than the values in the table.

Remark : The above table shows representative model numbers but is applicable to all models.

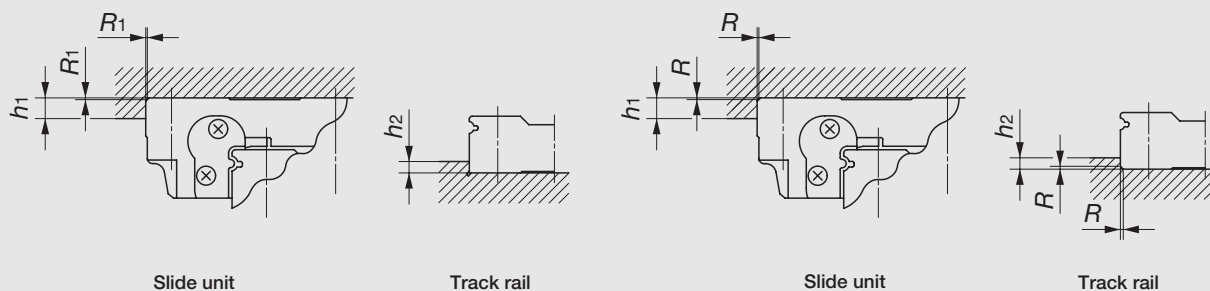
Table 23.1 Shoulder heights and corner radius of the mating reference mounting surfaces of Linear Way F



unit : mm

Model number	Slide unit Shoulder height h_1	Track rail Shoulder height h_2	Corner radius $R(\text{max.})$
LWFF 33 LWFS 33	4	2	0.4
LWFF 37 LWFS 37	5	2.5	0.4
LWFF 42	5	2.5	0.4
LWFF 69	5	3.5	0.8

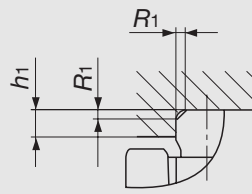
Table 23.2 Shoulder heights and corner radii of the mating reference mounting surfaces of Linear Way F



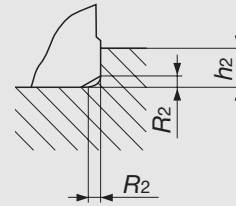
unit : mm

Model number	Slide unit		Track rail Shoulder height h_2	Corner radius for "/CC" specification $R(\text{max.})$
	Shoulder height h_1	Corner radius $R_1(\text{max.})$		
LWFH 40	4	0.3	3	1
LWFH 60	6	0.5	4	1
LWFH 90	8	0.5	6	1

Table 24 Shoulder heights and corner radii of the mating reference mounting surfaces of Linear Way U



Slide unit



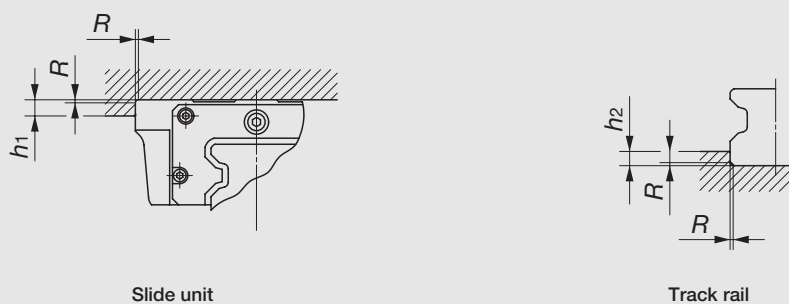
Track rail

unit : mm

Model number	Slide unit		Track rail	
	Shoulder height h_1	Corner radius R_1 (max.)	Shoulder height h_2	Corner radius R_2 (max.) ⁽¹⁾
LWUL 25...B	1.5	0.2	2.5	—
LWUL 30...B	2.5	0.2	3	—
LWU 40...B	3	0.5	5	1
LWU 50...B	3	0.5	7	2
LWU 60...B	3	0.5	9	2
LWU 86...B	4	0.5	11	2
LWU 100	4	0.5	13	1
LWU 130	5	1	14	2

Note⁽¹⁾ : For the size 25 and 30 models, provide a relieved fillet as shown on Fig. 16.

Table 25 Shoulder heights and corner radius of the mating reference mounting surfaces of Linear Roller Way Super X

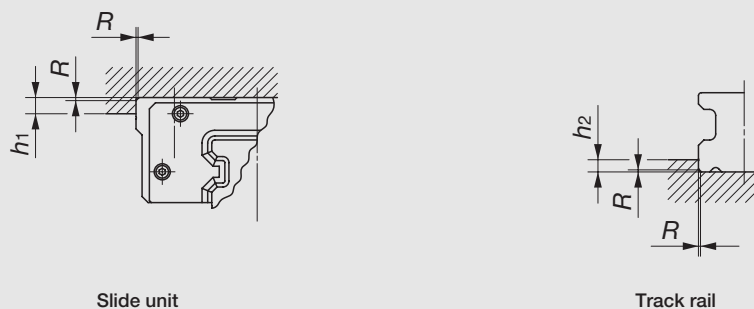


unit : mm

Model number	Slide unit Shoulder height h_1	Track rail Shoulder height h_2	Corner radius $R_{(max.)}$
LRX 12	4	2	0.5
LRX 15	4	3	0.5
LRX 20	5	4	0.5
LRX 25	6	5	1
LRX 30	8	5.5	1
LRX 35	8	5.5	1
LRX 45	8	7	1.5
LRX 55	10	8	1.5
LRX 65	10	10	1.5
LRX 85	14	14	2.5
LRX 100	14	13	2.5

Remark : The above table shows representative model numbers but is applicable to all models.

Table 26 Shoulder heights and corner radius of the mating reference mounting surfaces of Linear Roller Way X

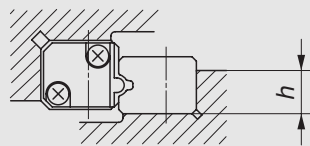


unit : mm

Model number	Slide unit Shoulder height h_1	Track rail Shoulder height h_2	Corner radius $R_{(max.)}$
LRWX 25 ...B	6	4	1
LRWX 35 ...B	8	5.5	1
LRWXH 35	8	5.5	1
LRWX 45 ...B	8	6	1
LRWXH 45	8	6	1
LRWX 55 ...B	10	8	1.5
LRWXH 55	10	8	1.5
LRWX 75 ...B	10	8	1.5
LRWXH 75	10	8	1.5

Remark : The above table shows representative model numbers but is applicable to all models.

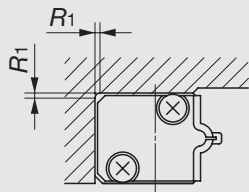
Table 27.1 Shoulder height of the mating reference mounting surface of Linear Way LM



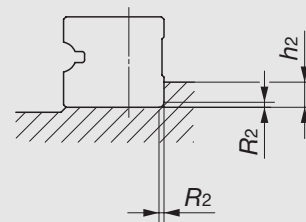
unit : mm

Model number	h
LWLM 7	4
LWLM 9	5
LWLM 11	6

Table 27.2 Shoulder height and corner radii of the mating reference mounting surfaces of Linear Way M



Slide member

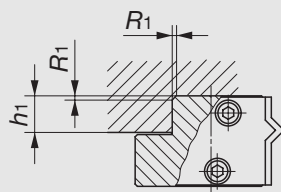


Track rail

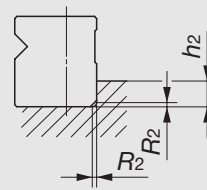
unit : mm

Model number	Slide member Corner radius $R_{1(max.)}$	Track rail	
		Shoulder height h_2	Corner radius $R_{2(max.)}$
LWM 1	0.8	4	0.8
LWM 2	1	5	1
LWM 3	1	5	1
LWM 4	1.5	6	1
LWM 5	1.5	6	1
LWM 6	1.5	8	1.5

Table 27.3 Shoulder heights and corner radii of the mating reference mounting surfaces of Linear Roller Way M



Slide member



Track rail

unit : mm

Model number	Slide member		Track rail	
	Shoulder height h_1	Corner radius $R_{1(max.)}$	Shoulder height h_2	Corner radius $R_{2(max.)}$
LRWM 2	7	1	5	1
LRWM 3	8.5	1	6	1
LRWM 4	10.5	1.5	6	1
LRWM 5	12.5	1.5	8	1
LRWM 6	14.5	2	8	1.5

1N=0.102kgf=0.2248lbs.
1mm=0.03937inch

● Operating conditions

Multiple slide units mounted in close distance

When multiple slide units are used in close distance to each other, the actual load may be greater than the calculated load depending on the accuracy of the mounting surfaces and the reference mounting surfaces of the machine. It is suggested in such cases to assume a greater load than the calculated load.

For lateral or upside-down mounting

When mounting Linear Way E or Linear Way F slide units in lateral or reverse (upside-down) position, specify slide units with under seals (supplemental code "/U"), if necessary, to prevent foreign particles from intruding into the slide units.

Operating speed

The limiting values for operating speed of Linear Way or Linear Roller Way depend on various operating conditions such as the type of motion, magnitude of applied load, lubrication conditions, mounting accuracy, and ambient temperature.

Based on the experiences and actual practice, standard values of maximum speed under general operating conditions are given in Table 28 for reference.

Table 28 Standard maximum speed

Model size	Maximum speed m/min
35	180
45	120
55	100
65	75

Operating temperature

The maximum operating temperature is 120°C and a continuous operation is possible at temperatures up to 100°C. When the temperature exceeds 100°C, consult **IKO**.

In the case of C-Sleeve Linear Way and the models "with Capillary plates" of special specification, operate below 80°C.

Cleaning

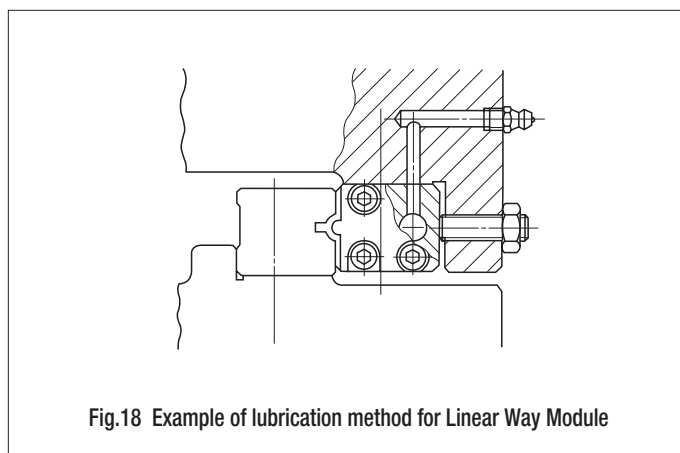
Do not wash C-Sleeve Linear Way with organic solvent and/or white kerosene, which have the ability of removing fat, nor leave them in contact with the above agents.

Oil supply point for lubrication

When lubrication oil is fed by gravity, sufficient amounts of oil may not reach to the raceways which are located higher than the supply point. In such cases, it is necessary to examine the lubrication route and supply point. Consult **IKO** for further information.

Lubrication of Linear Way Module

A grease nipple is not provided on the slide member of Linear Way Module, but a lubrication hole is provided on it to supply lubricant directly to the steel ball re-circulation route. By preparing a lubricant supply route in the mating machine parts as shown in Fig.18, lubrication can be carried out readily .



Precautions for Mounting

When mounting multiple sets at the same time

- Interchangeable specification product
In the case of an interchangeable specification product, assemble a slide unit and a track rail with the same interchangeable code ("S1" or "S2")
- Non-interchangeable specification product
Use an assembly of slide unit and track rail as delivered without changing the combination.
- Matched sets to be used as an assembled group
Special specification products of matched sets (supplemental code "/W") are delivered as a group in which dimensional variations are specially controlled. Mount them without mixing with the sets of another group.

Assembling a slide unit and a track rail

- Assembling of C-Sleeve Linear Way ML and Linear Way L
When assembling C-Sleeve Linear Way ML or Linear Way L, correctly fit the grooves of the slide unit mounted on a dummy rail (steel ball holder) to the grooves of the track rail, and then move the slide unit gently from the dummy rail to the track rail in parallel direction.
Steel balls are retained in C-Sleeve Linear Way ML and Linear Way L Ball Retained type, so the slide unit can be separated freely from the track rail. However, the slide unit can be assembled on the track rail much easier by using the dummy rail.
The Linear Way L slide unit of interchangeable specification is delivered as assembled on a dummy rail. In Linear Way L Ball Non-Retained type, steel balls are not retained. When separating the slide unit from the track rail, a dummy rail (steel ball holder) should be used.
The dummy rail (steel ball holder) is appended as an accessory to models shown in Table 29. The steel ball holder for other models are also available. If required, consult **IKO** for further information.

Table 29 Models to which a steel ball holder is appended

C-Sleeve Linear Way ML			Linear Way L		
Standard type		Wide Rail type	Standard type		Wide Rail type
MLC	5	MLFC 10	LWL	2	LWLF 4
ML	5	MLF 10	LWLC	3	LWLFC 6
MLC	7	MLFC 14	LWL	3	LWLF 6
ML	7	MLF 14	LWLC	5··B	LWLFC 10··B
MLG	7	MLFG 14	LWL	5··B	LWLF 10··B
MLC	9	MLFC 18	LWLC	7··B	LWLFC 14··B
ML	9	MLF 18	LWL	7··B	LWLF 14··B
MLG	9	MLFG 18	LWLG	7··B	LWLFG 14··B
MLG	12	MLFG 24	LWLC	9··B	LWLFC 18··B
MLG	15	MLFG 30	LWL	9··B	LWLF 18··B
MLG	20	MLFG 42	LWLG	9··B	LWLFG 18··B
MLG	25	—	LWLG	12··B	LWLFG 24··B
—	—	—	LWLG	15··B	LWLFG 30··B
—	—	—	LWLG	20··B	LWLFG 42··B
—	—	—	LWLG	25··B	—

Remark : For Linear Way L series, also applicable to high carbon steel products.

- Assembling of types other than C-Sleeve Linear Way ML and Linear Way L

When assembling the slide unit on the track rail, correctly fit the grooves of the slide unit to the grooves of the track rail and move the slide unit gently in parallel direction. Rough handling will result in seal damage or dropping of steel balls.

The interchangeable specification slide unit is provided with a dummy rail. And, the size 12, 15, 20, 25 and 30 models of Linear Roller Way Super X are appended with a dummy rail. This dummy rail should be used for assembly.

Handling of C-Sleeve Linear Way ML, Linear Way L and Linear Way LM

In C-Sleeve Linear Way ML, Linear Way L Ball Retained type and Linear Way LM, steel balls are retained with a steel ball retaining band. However, these products must be handled with care to prevent the steel balls from falling out.

Mounting accuracy

Inadequate mounting accuracy of Linear Way and Linear Roller Way will affect the operating accuracy and life adversely, so mounting must be carried out with care. When multiple sets are mounted, the parallelism between the two mounting surfaces of machines must be prepared, in general, as shown in Table 30. In the case of Linear Way, if mounting parallelism is poor, frictional resistance will steeply increase giving a warning signal, which can be used to perform high accuracy mounting. For details, see "Mounting" on page 128.

Table 30 Parallelism between two mounting surfaces

Class	Ordinary (No symbol)	High (H)	Precision (P)	Super precision (SP)	Ultra Precision (UP)
Parallelism	30		20	10	6

unit : μm

Cleaning of mounting surfaces

When mounting Linear Way or Linear Roller Way, first clean all mounting and reference mounting surfaces. (See Fig. 19.)

- Remove burrs and blemishes from the reference mounting surfaces and mounting surfaces of the machine or equipment, on which Linear Way or Linear Roller Way will be mounted, using an oil-stone, etc., and then wipe the surfaces with clean cloth.
- Remove rust preventive oil and dirt from the reference mounting surfaces and mounting surfaces of Linear Way or Linear Roller Way with clean cloth.

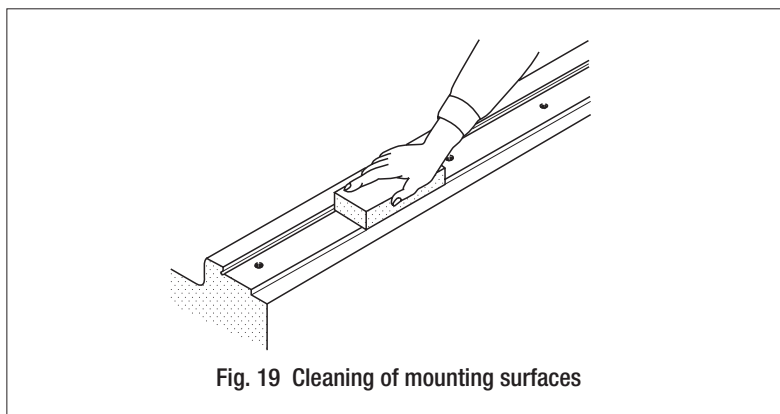


Fig. 19 Cleaning of mounting surfaces

Plugging-in of caps for rail mounting holes

- When plugging the caps of special specification ("with caps for rail mounting holes, supplemental code /F") into the mounting holes of track rail, tap in the cap gently by applying a flat plate on the top face of the cap until the top face of the cap becomes level with the top face of the track rail.

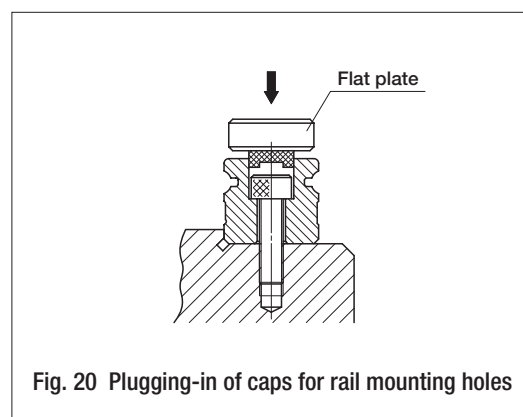


Fig. 20 Plugging-in of caps for rail mounting holes

Tightening torque of mounting bolts

The standard torque values for Linear Way and Linear Roller Way mounting bolts are shown in Tables 31.1 and 31.2. When machines or equipment are subjected to severe vibration, shock, large fluctuating load, or moment load, the bolts should be tightened with a torque 1.2 to 1.5 times higher than the standard torque values shown.

When the mating member material is cast iron or aluminum, tightening torque should be lowered in accordance with the strength characteristics of the material.

Table 31.1 Tightening torque of mounting bolts of Linear Way and Linear Roller Way

Bolt size	Tightening torque N·m	
	Carbon steel bolt (Strength division 12.9)	Stainless steel bolt (Property division A2-70)
M 3 × 0.5	1.7	1.1
M 4 × 0.7	4.0	2.5
M 5 × 0.8	7.9	5.0
M 6 × 1	13.3	8.5
M 8 × 1.25	32.0	20.4
M 10 × 1.5	62.7	—
M 12 × 1.75	108	—
M 14 × 2	172	—
M 16 × 2	263	—
M 20 × 2.5	512	—
M 24 × 3	882	—
M 30 × 3.5	1 750	—

Remark 1 : For C-Sleeve Linear Way ML, Linear Way L, Linear Way LM and the size 8, 10 and 12 models of Linear Way H, see Table 31.2.
2 : Tightening torque for the slide unit middle mounting holes of the size 15, 20, 25, 30 and 35 models of Linear Roller Way Super X flange type is recommended to be 70 to 80 % of the values in the table.

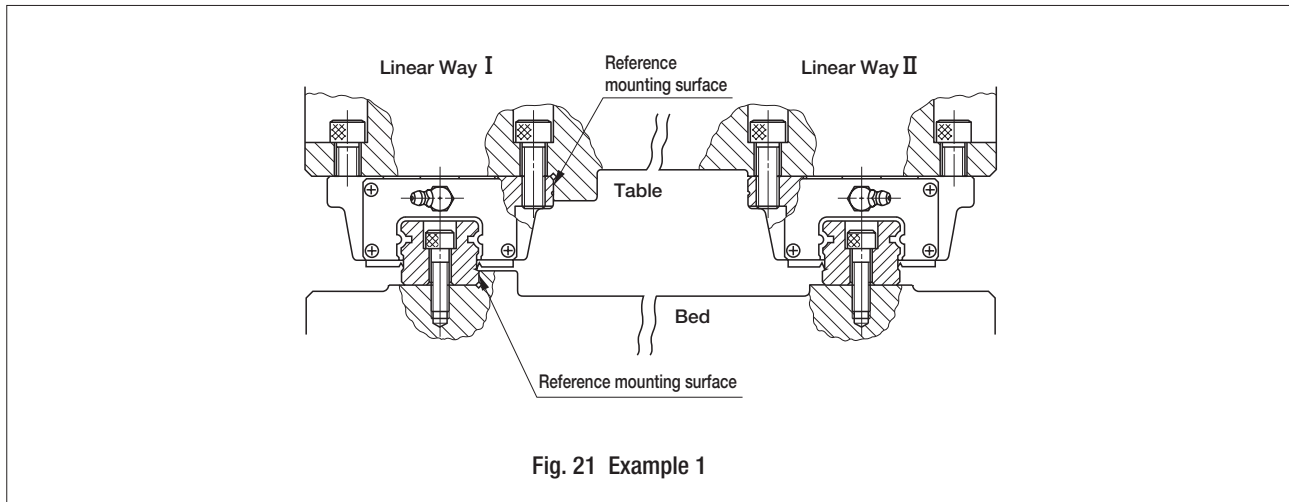
Table 31.2 Tightening torque of mounting bolts of C-Sleeve Linear Way ML, Linear Way L, Linear Way LM and the size 8, 10 and 12 models of Linear Way H

Bolt size	Tightening torque N·m	
	Carbon steel bolt (Strength division 8.8)	Stainless steel bolt (Property division A2-70)
M 1 × 0.25	—	0.04
M 1.4 × 0.3	—	0.10
M 1.6 × 0.35	—	0.15
M 2 × 0.4	—	0.31
M 2.3 × 0.4	—	0.48
M 2.5 × 0.45	—	0.62
M 2.6 × 0.45	—	0.70
M 3 × 0.5	1.2	1.1
M 4 × 0.7	2.8	2.5
M 5 × 0.8	5.6	5.0
M 6 × 1	—	8.5

Mounting Examples

The general mounting procedure for Linear Way and Linear Roller Way is shown in Examples 1 to 3 using a Linear Way as an example. The mounting procedure for Linear Way Module is shown in Example 4.

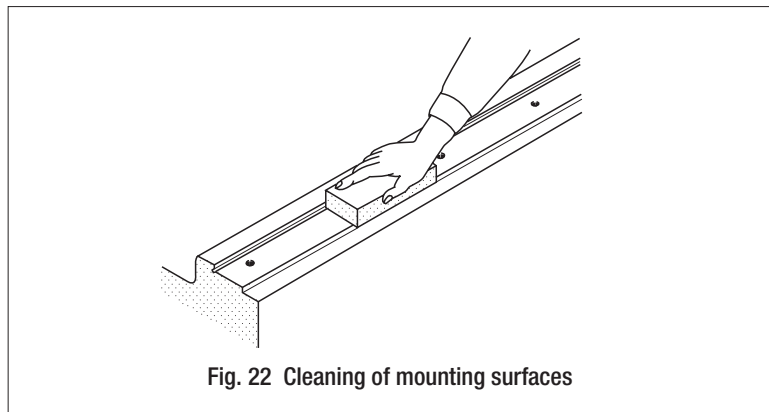
Example 1 For general operation



For operations under normal conditions without shocks, prepare one mating reference mounting surface on the table and the bed respectively, and proceed as follows. (See Fig. 21.)

① Cleaning of mounting surfaces

- Remove burrs and blemishes from the reference mounting surfaces and mounting surfaces of the machine using an oil-stone, etc. and then wipe the surfaces with clean cloth. (See Fig. 22.)
- Remove rust preventive oil and dirt from the reference mounting surfaces and mounting surfaces of Linear Way with clean cloth.



② Temporary fixing of Linear Way I and II track rails

- Correctly fit the reference mounting surface of Linear Way I track rail onto the mating reference mounting surface of the bed, and temporarily fix the track rail with mounting bolts. (See Fig. 23.)

During installation, ensure that track rail mounting bolts do not interfere with the mounting holes.

- Temporarily fix Linear Way II track rail onto the bed.

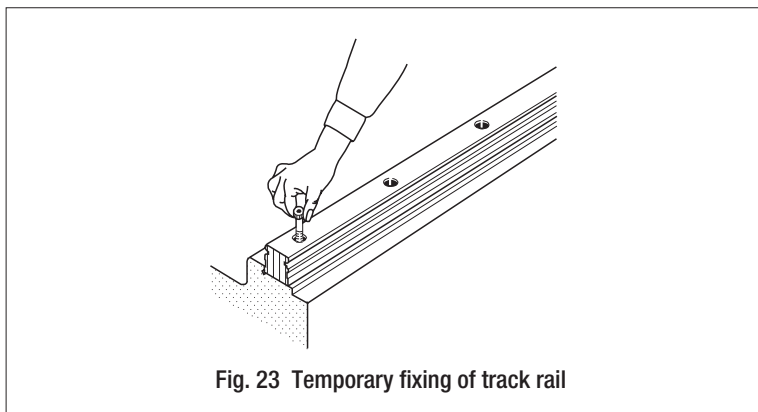


Fig. 23 Temporary fixing of track rail

③ Final fixing of Linear Way I track rail

- Firmly push the reference mounting surface of Linear Way I track rail to the mating reference mounting surface of the bed using a small vise or clamp. Tighten the track rail mounting bolt at the position where the vise or clamp is applied. Fix the track rail by progressively moving the position of the vise or clamp from one rail end to the other. (See Fig. 24.)

- At this stage, leave Linear Way II track rail temporarily fixed.

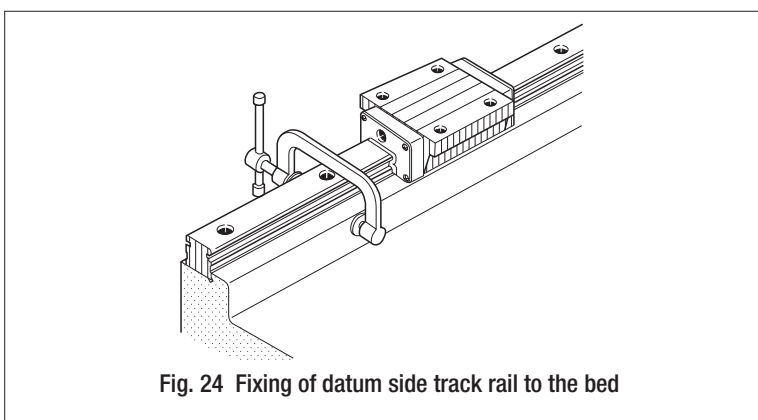


Fig. 24 Fixing of datum side track rail to the bed

④ Temporary fixing of Linear Way I and II slide units

- After locating all slide units to their respective table mounting positions, gently place the table on them.
- Temporarily fix Linear Way I and II slide units to the table.

⑤ Final fixing of Linear Way I slide units

- Fix the Linear Way I slide units to the table while correctly fitting the reference mounting surfaces of slide units to the mating reference mounting surface of the table.

⑥ Fixing of Linear Way II slide units

- Correctly fix one of the slide units of Linear Way II in relation to the linear motion direction and leave other slide units temporarily tightened with mounting bolts. (See Fig. 25.)

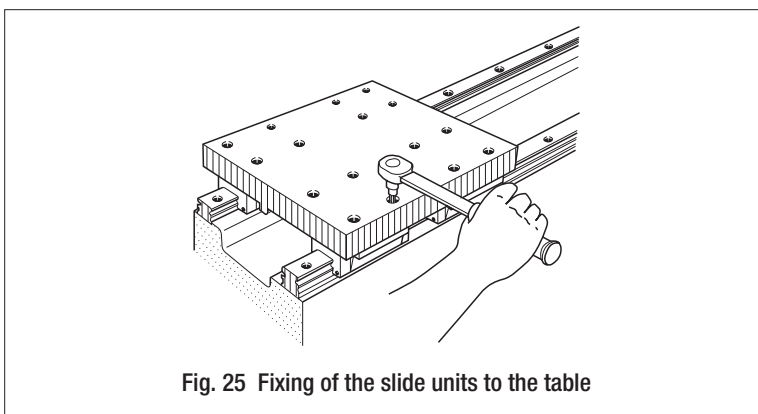
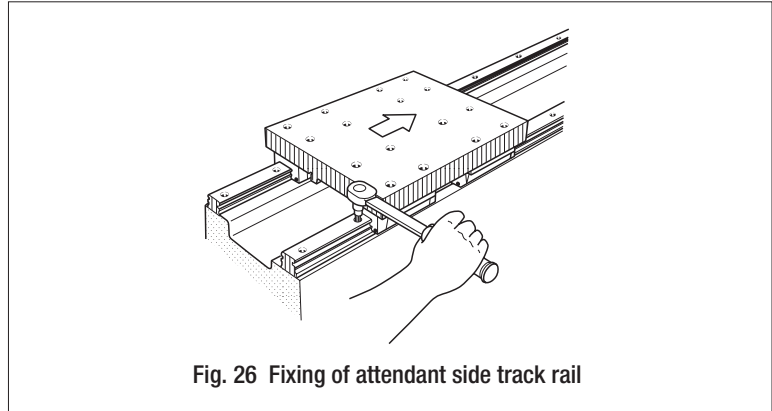


Fig. 25 Fixing of the slide units to the table

7 Final fixing of Linear Way II track rail

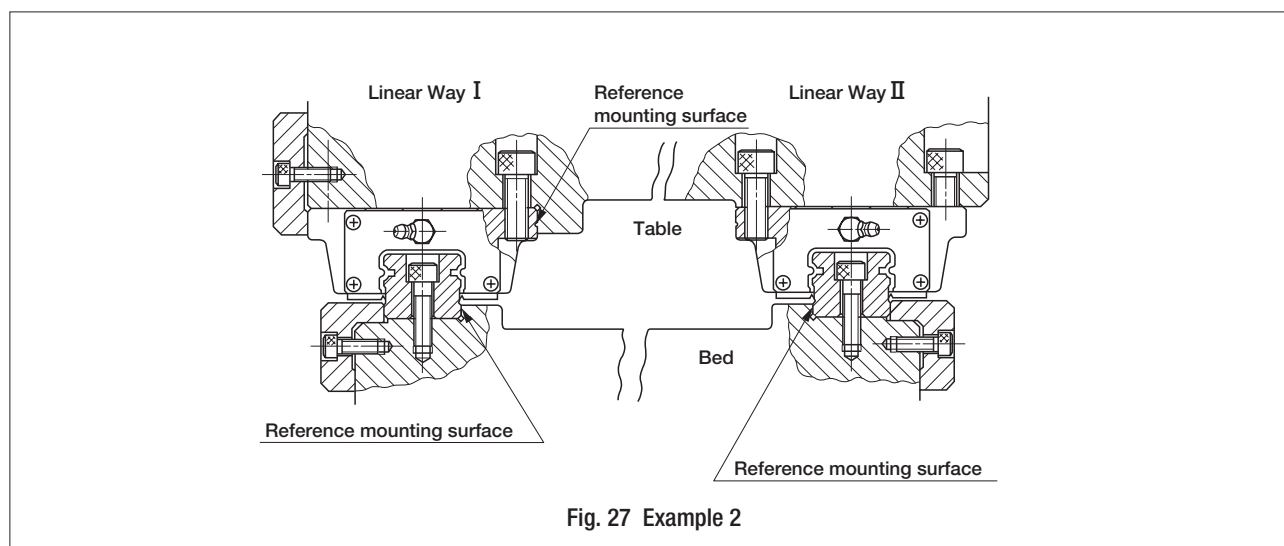
- While moving the table by hand and ensuring its smooth movement, fix the Linear Way II track rail to the bed with the mounting bolts. During this procedure, tighten the mounting bolt immediately behind the fixed slide unit of Linear Way II, while progressively moving the table from one rail end to the other. (See Fig. 26.)



8 Final fixing of other Linear Way II slide units

- Fix all Linear Way II slide units that have been left temporarily fixed to the table.

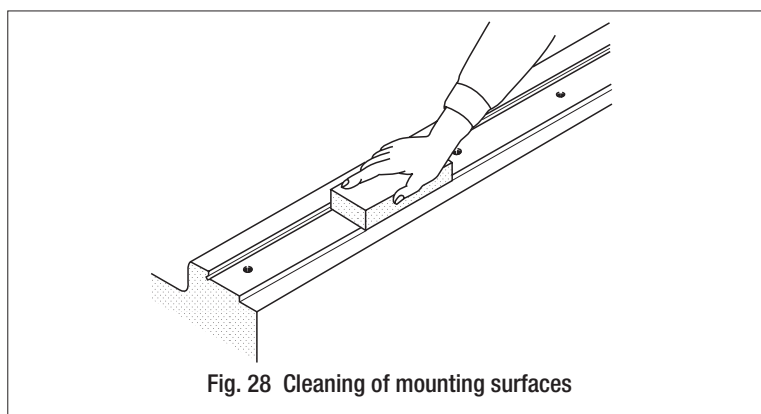
Example 2 Operation requiring accurate movement and rigidity



When machines using Linear Way require high running accuracy and rigidity, prepare two mating reference mounting surfaces on the bed and one mating reference mounting surface on the table, then perform the following procedure. (See Fig. 27.)

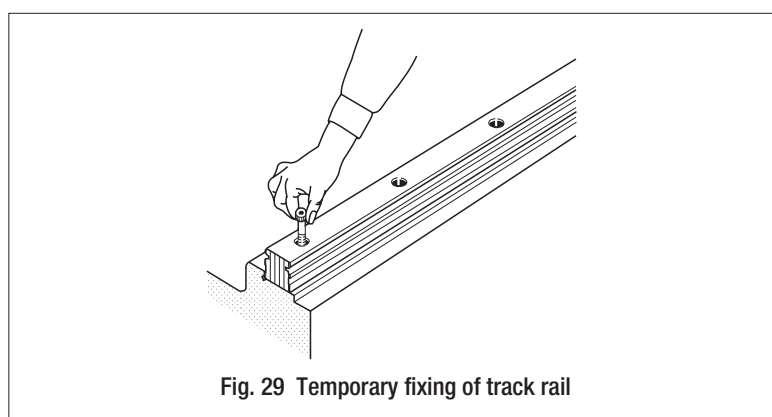
① Cleaning of mounting surfaces and reference mounting surfaces

- Remove burrs and blemishes from mounting surfaces and reference mounting surfaces of the machine using an oil-stone, etc., and then wipe the surfaces with clean cloth. (See Fig. 28.)
- Remove rust preventive oil and dirt from Linear Way reference mounting surfaces and mounting surfaces with clean cloth.



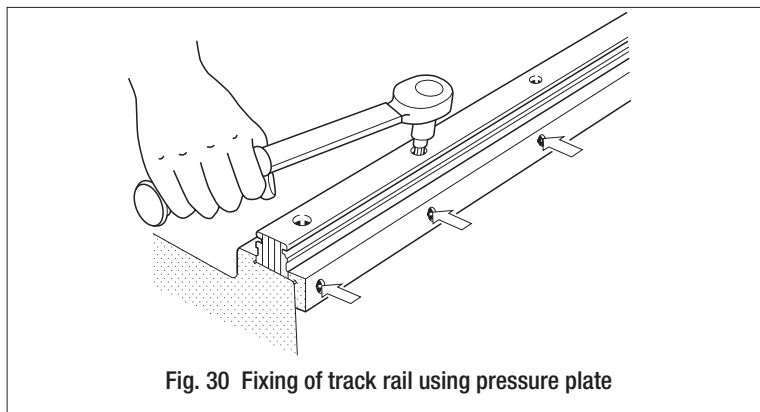
② Temporary fixing of Linear Way I and II track rails

- Correctly fit the reference mounting surfaces of Linear Way I and II track rails onto the mating reference mounting surfaces of the bed, and temporarily fix the track rails with mounting bolts. (See Fig. 29.)



③ Final fixing of Linear Way I and II track rails

- Firmly press the reference mounting surface of Linear Way I track rail to the mating reference surface of the bed with pressure plates or pressure screws. Tighten the mounting bolt of the track rail at the pressure plate or screw position from one end of the track rail to the other in succession. (See Fig. 30.)
- Fix Linear Way II track rail in the same way.



④ Temporary fixing of Linear Way I and II slide units

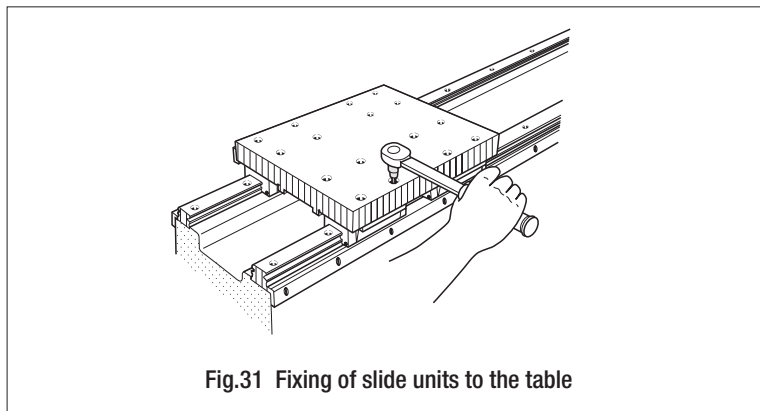
- After locating all slide units to their respective table mounting positions, gently place the table on them. Temporarily fix Linear Way I and II slide units to the table.

⑤ Final fixing of Linear Way I slide units

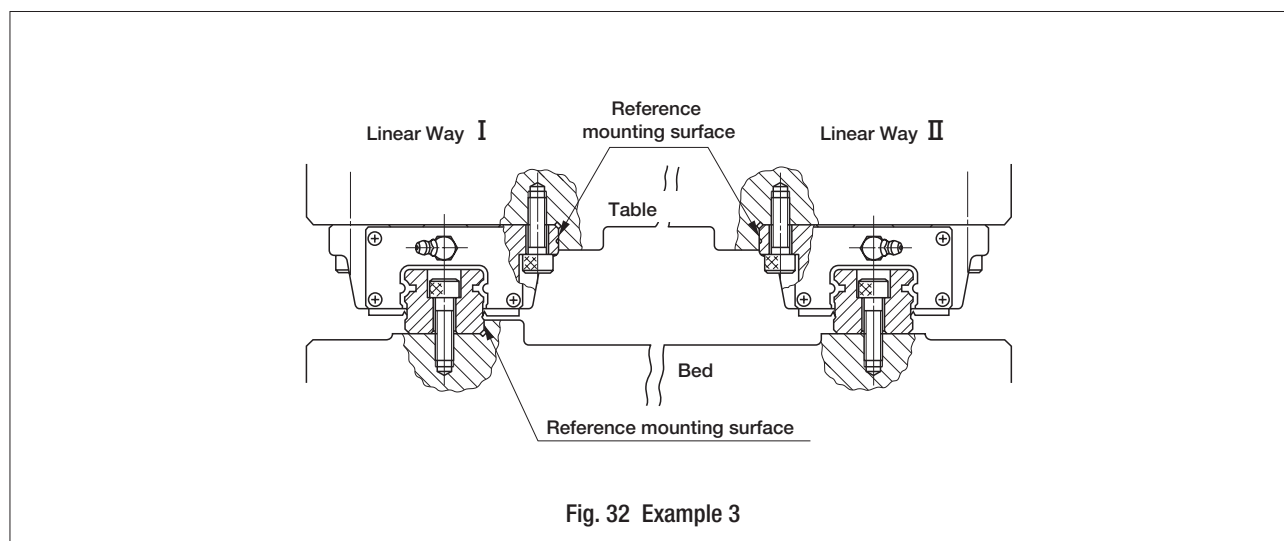
- Fix the Linear Way I slide units to the table while correctly fitting the reference mounting surfaces of the slide units to the mating reference mounting surface of the table using pressure plates or pressure screws.

⑥ Final fixing of Linear Way II slide units

- Move the table by hand to ensure smooth movement, then fix the Linear Way II slide units to the table with mounting bolts. (See Fig. 31.)



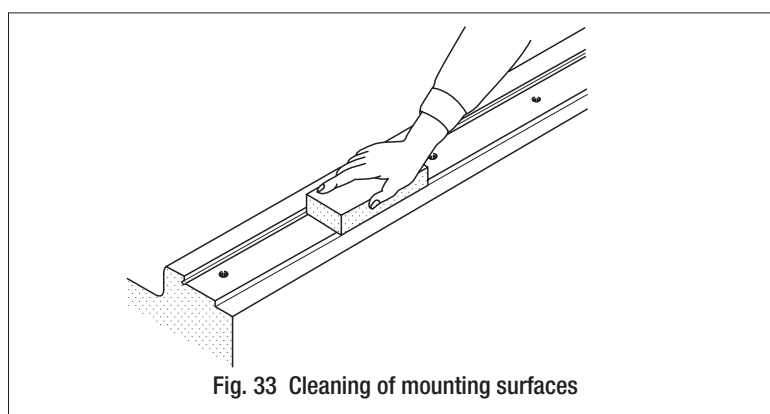
Example 3 Separate mounting of slide units from track rails



When the slide units assembled on the track rail cannot be securely fixed to the table due to table construction, prepare one reference mounting surface on the bed and two reference mounting surfaces on the table, then proceed as follows. (See Fig. 32.)

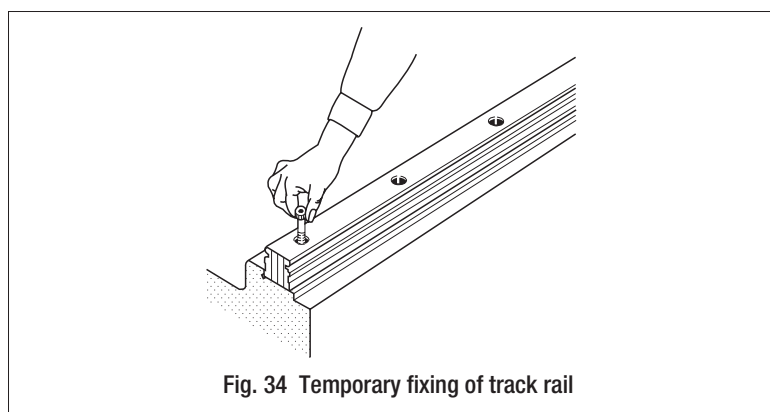
① Cleaning of mounting surfaces

- Remove burrs and blemishes from reference mounting surfaces and mounting surfaces of the machine using an oil-stone, etc., and then wipe the surfaces with clean cloth. (See Fig. 33.)
- Remove rust preventive oil and dirt from Linear Way reference mounting surfaces and mounting surfaces with clean cloth.



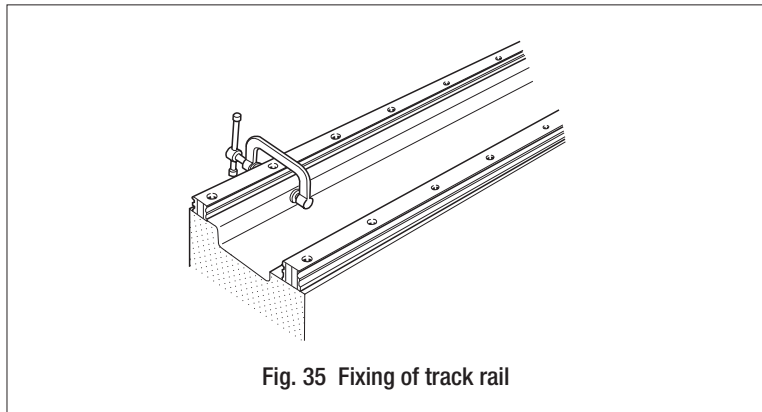
② Temporary fixing of Linear Way I and II track rails

- Correctly fit the reference mounting surface of Linear Way I track rail onto the mating reference mounting surface of the bed, and temporarily fix the track rail with mounting bolts. (See Fig. 34.)
During installation, ensure that the track rail mounting bolts do not interfere with the mounting holes.
- Temporarily fix Linear Way II track rail onto the bed.



3 Final fixing of Linear Way I track rail

- Firmly push the reference mounting surface of Linear Way I track rail to the mating reference mounting surface of the bed using a small vise or clamp. Tighten the track rail mounting bolt at the position of the vise or clamp. Fix the track rail by progressively moving the vise or clamp from one rail end to the other. (See Fig. 35.)
- At this stage, leave Linear Way II track rail temporarily fixed.

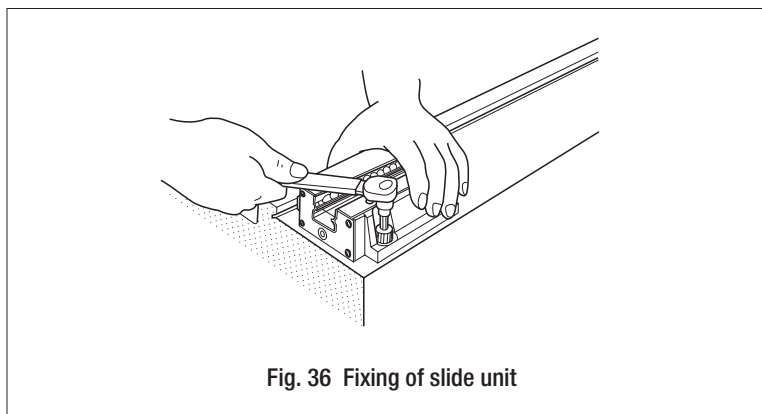


4 Separation of slide units from track rails

- After noting the respective markings which identify correct assembly positions of slide units on Linear Way I and II track rails, separate slide units from track rails.

5 Fixing of Linear Way I and II slide units

- Correctly fit the reference mounting surfaces of Linear Way I and II slide units to the mating reference mounting surfaces of the table and fix the slide units as shown in the figure. (See Fig. 36.)



6 Installing slide units on track rails

- Gently and gradually install the slide units which are fixed on the table onto the track rails which are fixed or temporarily tightened on the bed. Take care to maintain parallelism of the table to the track rails as the table is slid onto the rails.

7 Fixing of Linear Way II track rail

- Fix the track rail of Linear Way II while checking the smooth motion by moving the table. At this time, tighten the mounting bolt right behind the fixed slide unit of Linear Way II just passed. Fix the track rail by repeating this procedure from one rail end to the other.

Example 4 Assembly of Linear Way Module

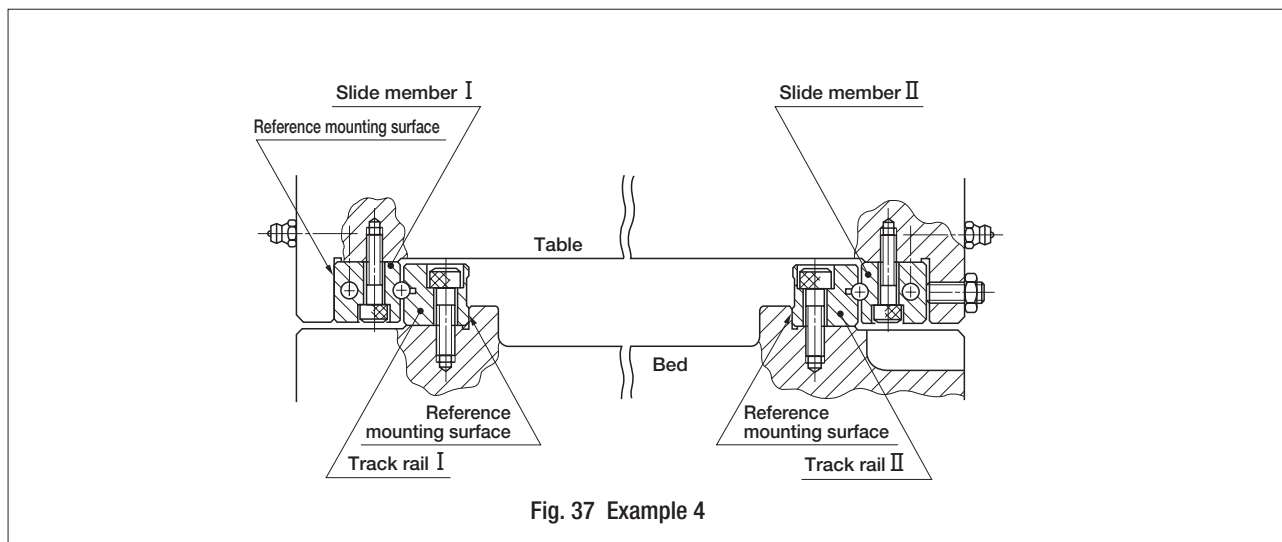


Fig. 37 Example 4

Generally, two sets of Linear Way Modules are used in parallel as shown in Fig. 36. They are usually mounted according to the following procedure. (See Fig. 37.)

① Cleaning of mounting surfaces

- Remove burrs and blemishes from reference mounting surfaces and mounting surfaces of the machine using an oil-stone, etc., and then wipe the surfaces with clean cloth. (See Fig. 38.)
- Remove rust preventive oil and dirt from Linear Way Module reference mounting surfaces and mounting surfaces with clean cloth.

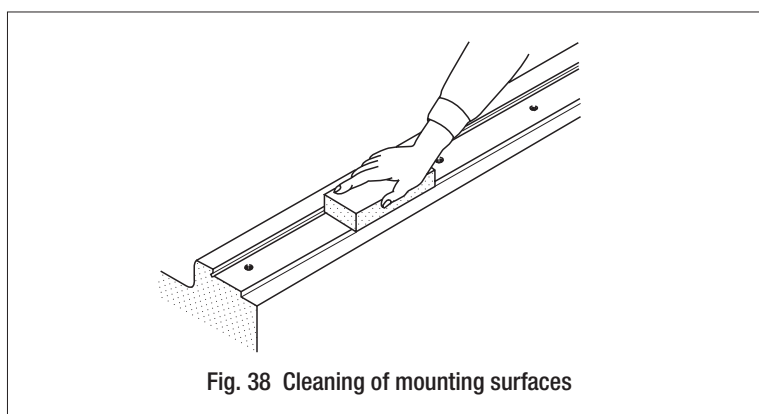


Fig. 38 Cleaning of mounting surfaces

② Fixing of track rails

- Correctly fit the reference mounting surfaces of Track Rails I and II to the reference mounting surfaces of the bed and bring them in close contact using a small vise, etc. Tighten the mounting bolt at the position of the vise. (See Fig. 39.)

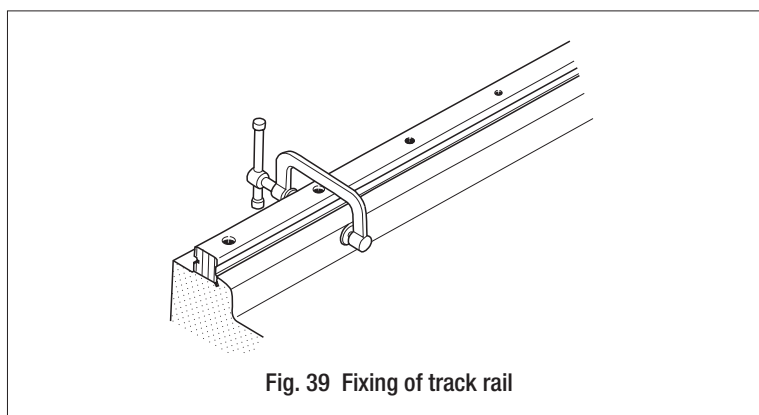
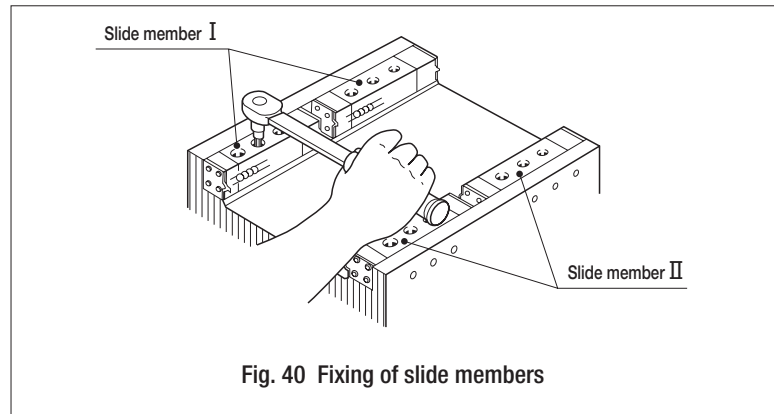


Fig. 39 Fixing of track rail

3 Fixing of slide members

- Tighten the mounting bolts and fix the slide member I to the table while correctly fitting the reference mounting surface of the slide member to the mating reference mounting surface of the table. Temporarily fix the slide member II. (See Fig. 40.)

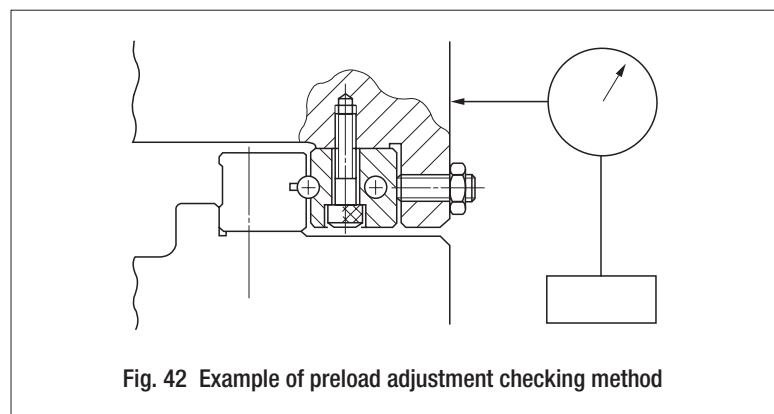
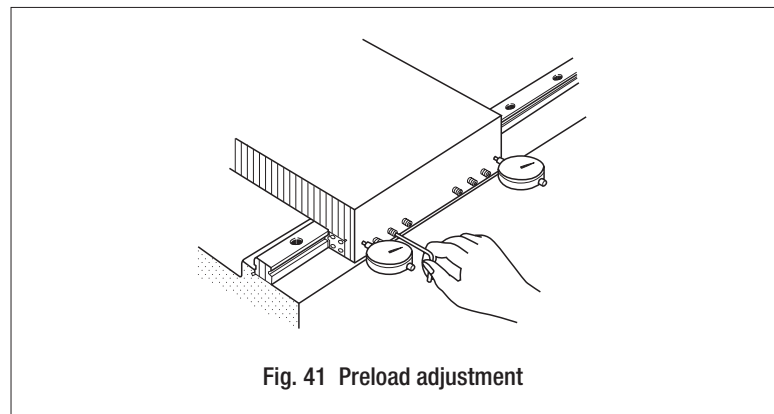


4 Installing slide members on track rails

- Gently and gradually install the slide members fixed to the table onto the track rails fixed to the bed, taking care to maintain parallelism between the table and the track rails.

5 Final fixing of slide member II

- While measuring the clearance with a dial gauge as shown in Fig. 41, tighten all preload adjusting screws starting from the screw in the center.
- When the dial gauge indicates no deflection while the table is pushed to right and left in the direction perpendicular to the rails, the preload is zero or very light.
- After adjusting preload, fix slide members II by tightening the mounting bolts.



Mounting methods of datum track rail

The following methods may be used to mount the datum track rails of **IKO** Linear Way and Linear Roller Way. Select the method most suited to the specifications of the machine or equipment.

① Use of mating reference mounting surface of bed

Firmly push the reference mounting surface of the track rail against the mating reference mounting surface of the bed using a small vise or clamp. Tighten the mounting bolt at the position of the vise. Fix the track rail by repeating this procedure from one end of the rail to the other in succession.

② Use of a temporary reference surface

Prepare a temporary reference surface near the mounting surface of the bed and temporarily fix the track rail. Next, fix an indicator stand on the top face of the slide unit as shown in Fig. 43. Apply the indicator probe to the temporary reference surface and fix the track rail by tightening the mounting bolts in succession from one end of the track rail to the other while checking the straightness of the slide unit movement.

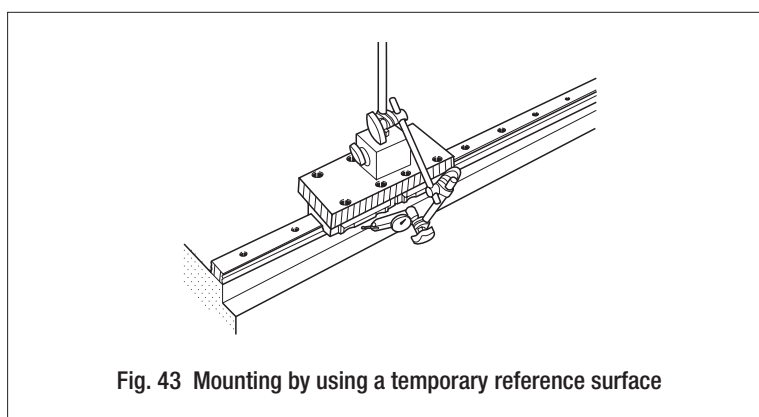


Fig. 43 Mounting by using a temporary reference surface

③ Use of straight-edge

After temporarily fixing the track rail, apply an indicator probe to the reference mounting surface of the track rail as shown in Fig. 44. Tighten the mounting bolts one by one, while progressively checking the straightness of the track rail in reference to the straight-edge from one end of the track rail to the other.

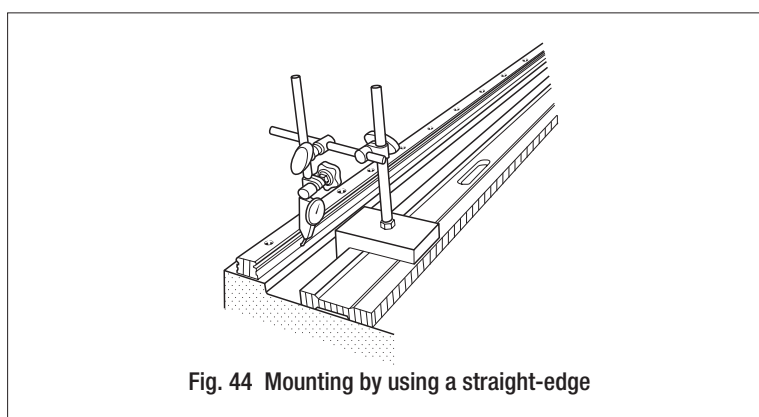


Fig. 44 Mounting by using a straight-edge

Mounting methods of attendant track rail

The following methods may be used to mount the attendant track rail. Select the method most suited to the specifications of the machine or equipment.

① Use of reference mounting surface

Firmly push the reference mounting surface of the track rail against the reference mounting surface of the bed using a pressure plate or small vise. Fix the track rail by tightening the mounting bolt at the position of the pressure plate or vise. Tighten the mounting bolts one by one starting from one end of the track rail to the other.

② Use of mounted datum track rail as the reference

Fix the datum track rail correctly, fix one attendant slide unit correctly in the direction of motion, and temporarily fix the other slide units and the attendant track rail. Then, fix the attendant track rail by tightening the mounting bolts one by one from one end of the track rail to the other while checking the smooth movement.

③ Use of straight-edge

After fixing the track rail temporarily, apply the indicator probe to the reference mounting surface of the track rail (as shown in Fig. 44). While checking the straightness in reference to the straight-edge, fix the attendant track rail by tightening the mounting bolts one by one from one end of the track rail to the other.

④ Use of datum side Linear Way

As shown in Fig. 45, set an indicator stand on the top face of the datum slide unit and apply the indicator probe to the reference mounting surface of the attendant track rail. While checking parallelism of the two rails, fix the attendant rail by tightening mounting bolts one by one from one end of the track rail to the other.

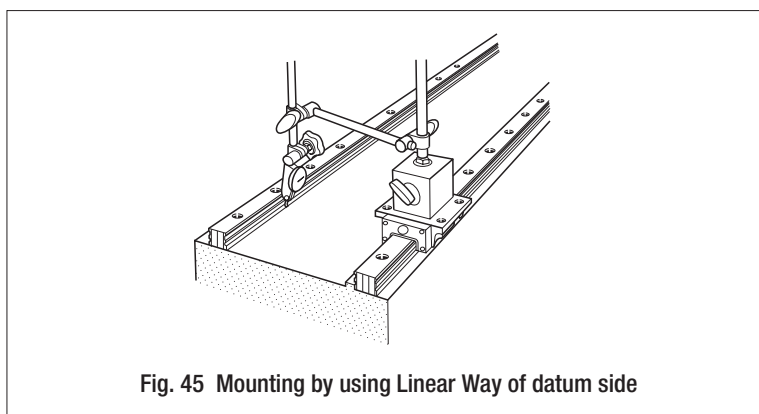
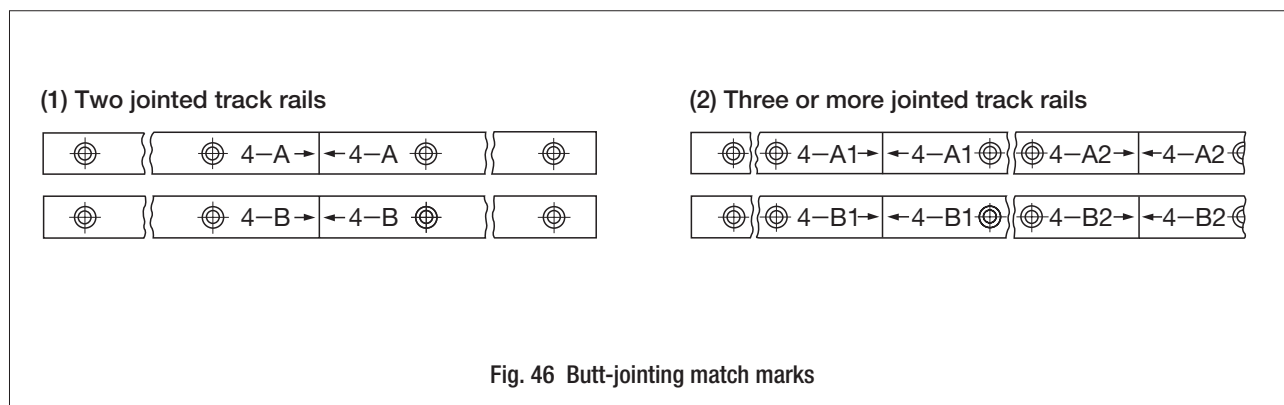


Fig. 45 Mounting by using Linear Way of datum side

Mounting method for butt-jointing track rails

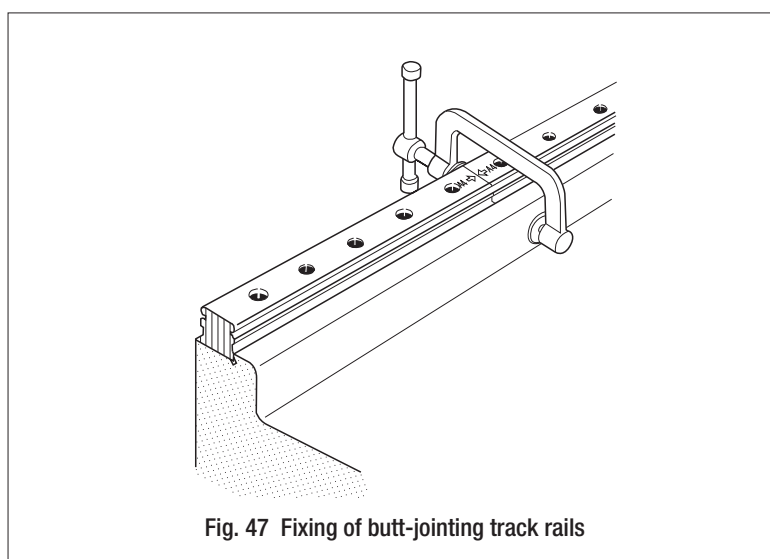
When using butt-jointing track rails, indicate whether a butt-jointing track rail of special specification (non-interchangeable specification, supplemental code "/A") or a butt-jointing interchangeable track rail (interchangeable specification, supplemental code "/T") is to be mounted.

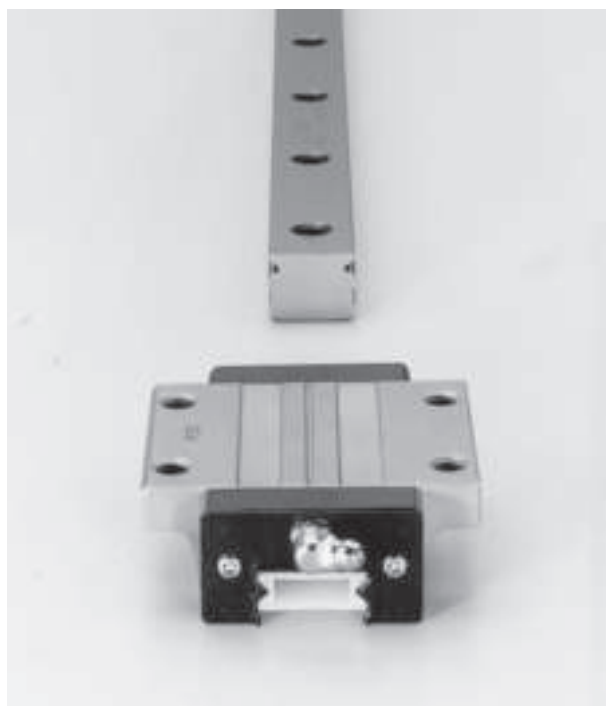
For butt-jointing track rails of non-interchangeable specification, a match mark as shown in Fig. 46 is indicated on the top face of track rail end. Procedures for mounting jointing track rails are generally as follows.



❶ Joint the track rails end-to-end in accordance with the match marks, and temporarily fix the rails onto the bed. The butt-jointing interchangeable track rail of interchangeable specification does not require matching butt-jointing rail ends, because the rail is prepared for free combination.

❷ Fit the reference mounting surfaces of the track rails onto the reference mounting surface of the bed, then fix all track rails one by one. While performing this procedure, tightly press the reference mounting surface of each track rail with a small vise, etc. against the reference mounting surface of the bed at the butt-jointing position so that the track rails at the butt-jointing position are connected without a step. (See Fig. 47.)





C-Sleeve Linear Ways

Description of each series and Table of dimensions

A

Miniature type

C-Sleeve Linear Way ML

Page A-2 to A-17



Compact type

C-Sleeve Linear Way ME

Page A-18 to A-33



High Rigidity type

C-Sleeve Linear Way MH

Page A-34 to A-51



U-shaped track rail type

C-Sleeve Linear Way MUL

Page A-52 to A-61



In the table of dimensions, standard products are referred to using identification numbers marked with . The identification numbers marked with refer to our semi-standard products.

(A-1)

Maintenance Free & Interchangeable

U.S. PATENTED

C-Sleeve Linear Way ML

ML/MLF

IKO C-Sleeve Linear Way ML is a linear motion rolling guide, incorporating the C-Sleeve as a components part for lubrication in the slide unit of miniature type Linear Way L series to achieve maintenance free operations for a long period of time.

Long-term maintenance free

The lubricant in the C-Sleeve keeps the lubrication performance for a long period of time and achieves long-term maintenance free operations. (5 years and 20,000km)

So man-hours for troublesome lubrication control can be reduced.

Lightweight and compact

The C-Sleeve is incorporated in the lightweight and compact slide unit of miniature type Linear Way L series without changing the external dimensions of the slide unit.

Smooth and light motion

As the C-Sleeve is not in contact with the track rail, frictional resistance does not increase. A smooth and light motion is ensured.

Stainless steel made

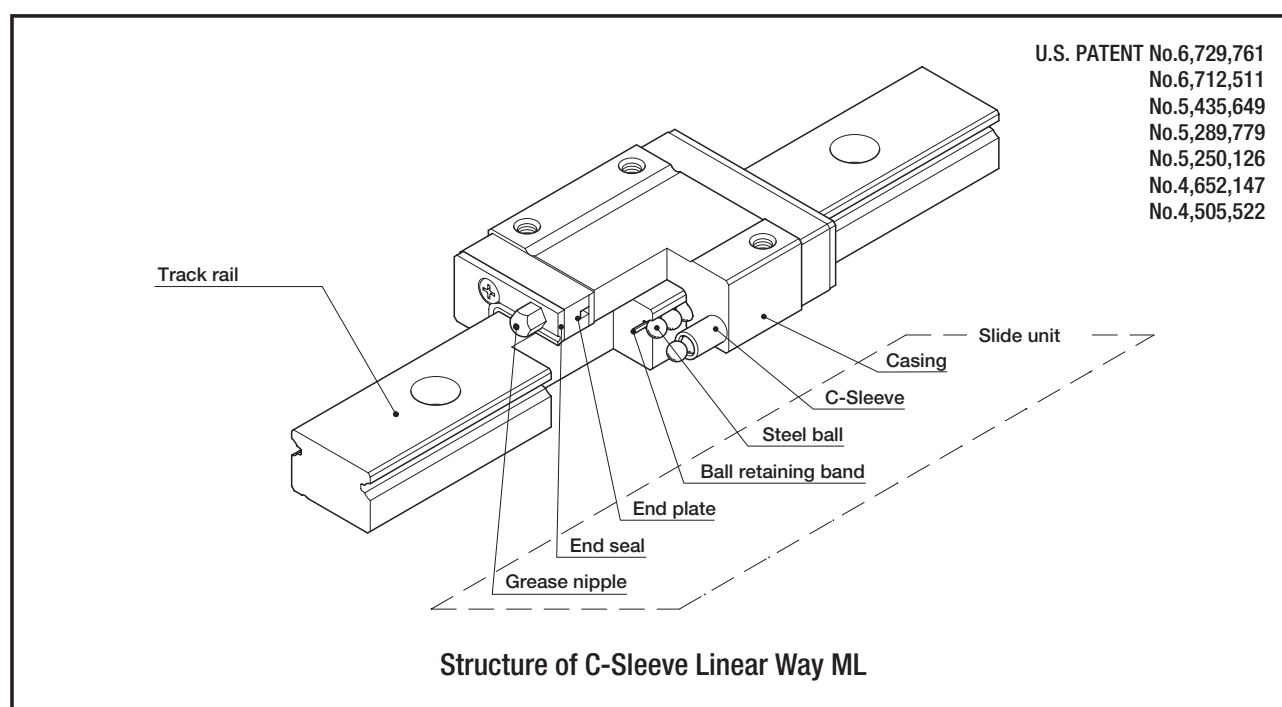
The metal components are manufactured from corrosion resistant stainless steel. So this series is most suitable for use in clean rooms and also for applications where the use of lubricants and rust preventive oil should be avoided or kept to a minimum.

Ball retained type

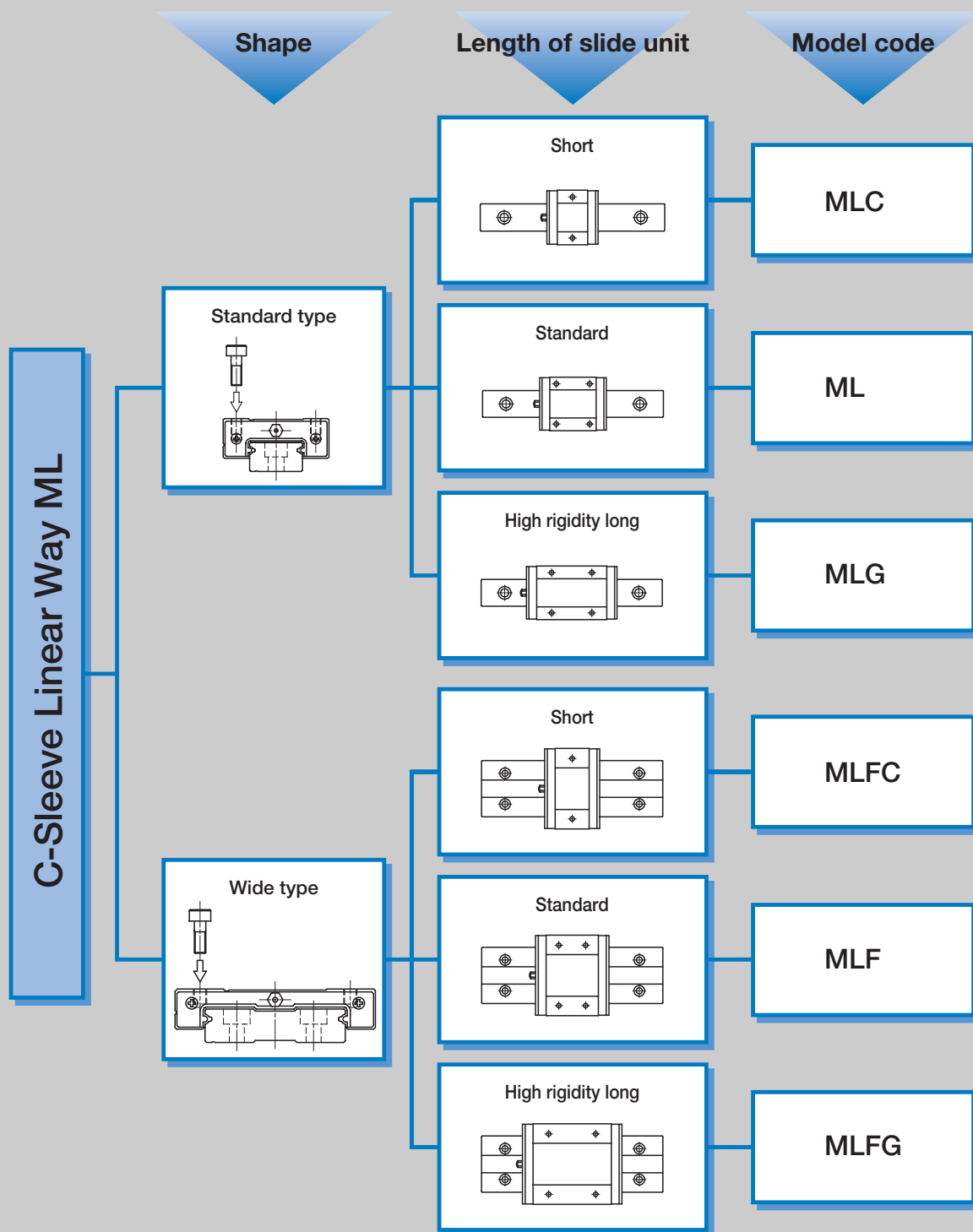
The slide unit incorporates ball retaining bands, which prevent steel balls from dropping when the slide unit is separated from the track rail. So handling is easy.

Interchangeability

The track rails and the slide units of interchangeable specification can be handled separately and can be assembled to make a set as required. Three types of slide units with different lengths are prepared. The best type and size can be selected these entire slide units can be freely assembled on the same track rail.



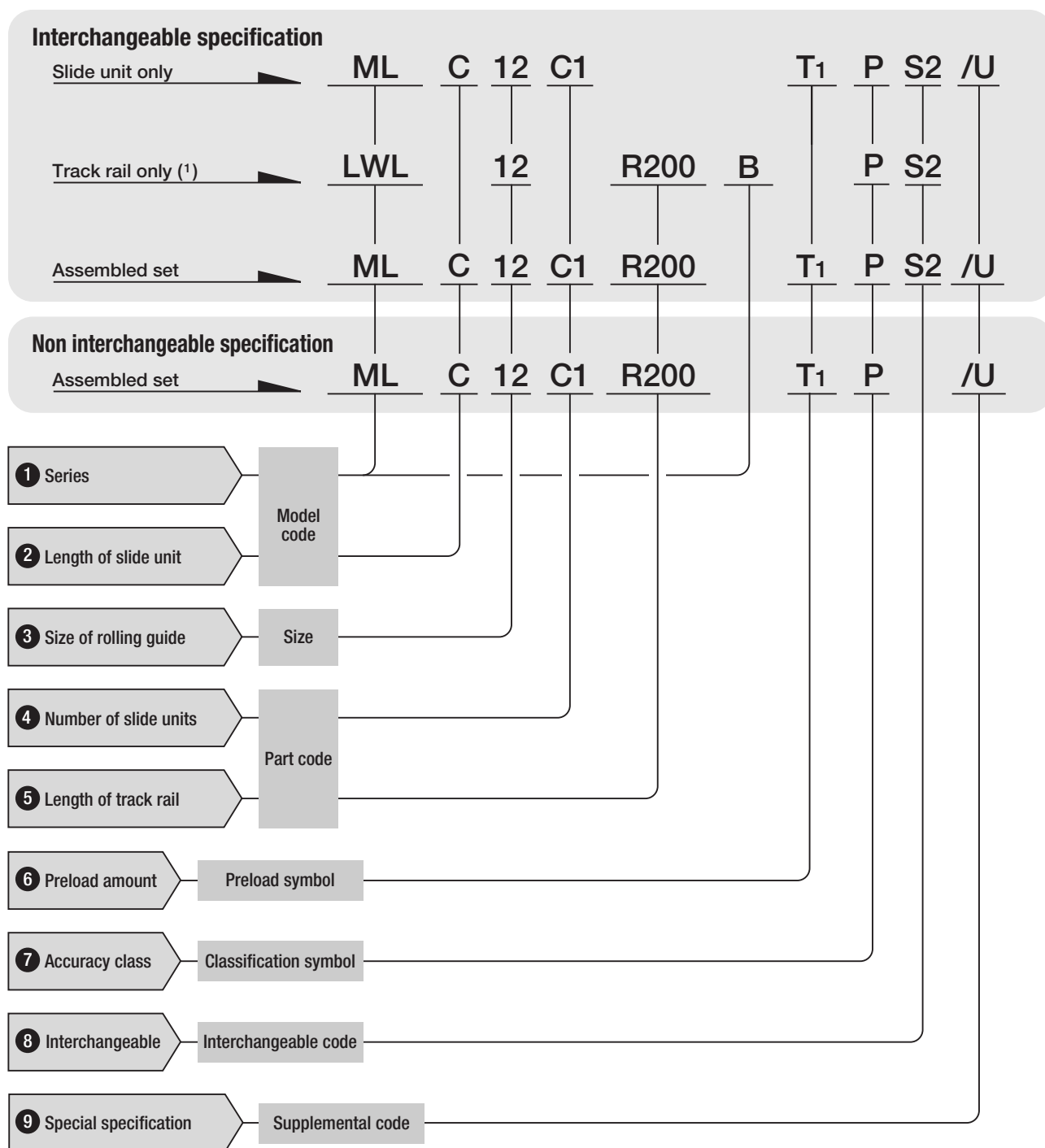
Variation of IKO C-Sleeve Linear Way ML



1N=0.102kgf=0.2248lbs.
1mm=0.03937inch

● Identification number and specification

The specification of C-Sleeve Linear Way ML is indicated by the identification number, consisting of a model code, a size, a part code, a preload symbol, a classification symbol and any supplemental codes. For details of each specification, see page 76.



Note(1): In case ordering track rail only, model code should be changed as shown below.
 Track rail of interchangeable ML → Model code LWL...B (Ex: LWL9R160BHS2)
 Track rail of interchangeable MLF → Model code LWLF...B (Ex: LWLF42R320BHS2)

1 Series

Standard type : **ML**
Wide type : **MLF**

2 Length of slide unit

Short : **C**
Standard : **No symbol**
High rigidity long : **G**

Applicable size and shape of slide unit are shown in Table 1 and 2.

3 Size

Table 1 Type and size of standard type C-Sleeve Linear Way ML

Type Size	Stainless steel		
	Short MLC	Standard ML	High rigidity long MLG
5	☆	☆	—
7	☆	☆	☆
9	☆	☆	☆
12	☆	☆	☆
15	☆	☆	☆
20	☆	☆	☆
25	☆	☆	☆

Remark : The mark ☆ indicates that it is also applicable to interchangeable specification.

Table 2 Type and size of wide type C-Sleeve Linear Way MLF

Type Size	Stainless steel		
	Short MLFC	Standard MLF	High rigidity long MLFG
10	☆	☆	—
14	☆	☆	☆
18	☆	☆	☆
24	☆	☆	☆
30	☆	☆	☆
42	☆	☆	☆

Remark : The mark ☆ indicates that it is also applicable to interchangeable specification.

4 Number of slide unit

Assembled set : **C○**
Slide unit only : **C1**

For an assembled set, indicate the number of slide units assembled on one track rail. For an interchangeable slide unit only, "C1" can be indicated.

5 Length of track rail

Assembled set : **R○**
Track rail only : **R○**

Indicate the length of track rail in mm. For standard and maximum lengths, see "Track rail length" on page A-8.

6 Preload amount

Clearance : T₀ Specify this items for an assembled set or an interchangeable single slide unit.
 Standard : No symbol Applicable preload and size are shown in Table 3.
 Light preload : T₁ For detail of preload amount, see page 84.

Table 3 Preload of C-Sleeve Linear Way ML/MLF

Size		Preload and symbol		
Standard type	Wide type	Clearance (T ₀)	Standard (No symbol)	Light preload (T ₁)
5	10	☆	☆	—
7	14	☆	☆	☆
9	18	☆	☆	☆
12	24	☆	☆	☆
15	30	☆	☆	☆
20	42	☆	☆	☆
25	—	☆	☆	☆

Remark : The mark ☆ indicates that it is also applicable to interchangeable specification.

7 Accuracy class

High class : H In interchangeable specification, please combine same accuracy codes on both slide unit and track rail. For detail of accuracy, see page 79.
 Precision class : P

8 Inetrchangeable

Select group 1 : S1 Specify this item for the interchangeable specification products. Assemble track rails and slide units with the same interchangeable code.
 Select group 2 : S2 Performance and accuracy of "S1" group and "S2" group are the same.

9 Special specifications

Applicable special specifications are shown in Table 4. When a combination of several special specifications is required, please refer Table 5 and arrange their supplemental codes in alphabetical order. For detail of specifications, see page 86.

Table 4 Applicable specifications

Specifications	Supplemental code	Assembled set	Track rail only	Slide unit only	Dimension
Butt jointing track rail	A	○	—	—	
Opposite reference surfaces arrangement	D	☆	—	—	
Specified rail mounting hole positions	E	☆	☆	—	
Appending inspection sheet	I	○	—	—	
Black chrome surface treatment	LR	○ ⁽¹⁾	—	—	
Without track rail mounting bolts	MN	☆	☆	—	
No rubber end seals	N	☆	—	☆	
Track rail with stopper pins	S	○	—	—	See Table 6
Under seals	U	☆ ⁽²⁾	—	☆ ⁽²⁾	See Table 7
Matched sets to be used as an assembled group	W	○	—	—	

Note⁽¹⁾ : Not applicable to size 5 and 10.

⁽²⁾ : Not applicable to size 5, 7, 10 and 14.

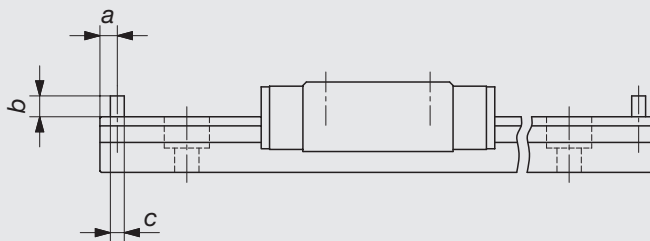
Remark : The mark ☆ indicates that it is also applicable to interchangeable specification.

Table 5 Combination of special specifications

D	○								
E	-	-							
I	○	○	○						
LR	-	○	○	○					
MN	○	☆	☆	○	○				
N	○	☆	☆	○	○	○	☆		
S	○	○	○	○	○	○	○		
U	○	☆	☆	○	○	○	☆	-	○
W	○	○	-	○	○	○	○	○	○
	A	D	E	I	LR	MN	N	S	U

- Remark 1 : In the table, the mark ○ indicates that this combination can be made.
 2: The mark ☆ indicates that the combination is available for also interchangeable specification.
 3: When a combination of several special specifications is required, arrange their supplemental codes in alphabetical order.

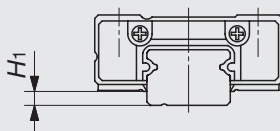
Table 6 Dimension of track rail with stopper pins (Supplemental code: /S)



Model number	a	b	c	Model number	a	b	c
ML 5	2	2	1.6	MLF 10	2.5	2	1.6
ML 7	2.5	2.5	2	MLF 14		3	2
ML 9		3		MLF 18			
ML 12		4		MLF 24			
ML 15		5		MLF 30			
ML 20		3.5		MLF 42			
ML 25							

Remark : The table shows representative model numbers but is also applicable to all types of the same size.

Table 7 H₁ dimension of slide unit with under seals (Supplemental code: /U)



Model number	H ₁	Model number	H ₁
ML 9	1	MLF 18	2
ML 12	2	MLF 24	
ML 15	3	MLF 30	
ML 20	4	MLF 42	3
ML 25	5(1)		

Note(1) : H₁ dimension of size 25 (ML25) is the same as the dimension without under seals.
 Remark : The table shows representative model numbers but is applicable to all models of the same size of ML and MLF series.


Track rail length

Standard and maximum lengths of track rail are shown in Table 8.1 and 8.2.

Track rail in any lengths are also available. Simply indicate the necessary length of track rail in millimeter (mm) in the identification number.

- In non-interchangeable specification, for track rail longer than the maximum length shown in Table 8.1 and 8.2, butt-jointing track rails are available upon request. In this case, indicate supplemental code "/A" in the identification number.
- E dimensions at both ends are the same unless otherwise specified. To change these dimensions, specify the specified rail mounting hole positions (supplemental code "/E") of special specification.

Table 8.1 C-Sleeve Linear Way ML (Standard type) Standard and maximum lengths of track rails



unit : mm

Model number		ML 5	ML 7	ML 9	ML 12
Item					
Standard length $L(n)$		60(4)	60(4)	60(3)	100(4)
		90(6)	90(6)	80(4)	150(6)
		105(7)	120(8)	120(6)	200(8)
		120(8)	150(10)	160(8)	275(11)
		150(10)	180(12)	220(11)	350(14)
		240(16)	280(14)	475(19)	
Mounting hole pitch F		15	15	20	25
E		7.5	7.5	10	12.5
Reference dimension E ⁽¹⁾	Over (Incl.)	4	4.5	4.5	5
	Under	11.5	12	14.5	17.5
Maximum length ⁽²⁾		210 (510)	300 (990)	860 (1 200)	1 000 (1 450)
Maximum number of track rails for butt jointing		5	7	2	2
Maximum length of butt jointing track rails		915	1 905	1 660	1 925
Model number		ML 15	ML 20	ML 25	
Item					
Standard length $L(n)$		160(4)	180(3)	240(4)	
		240(6)	240(4)	300(5)	
		320(8)	360(6)	360(6)	
		440(11)	480(8)	480(8)	
		560(14)	660(11)	660(11)	
		680(17)	840(14)	900(15)	
Mounting hole pitch F		40	60	60	
E		20	30	30	
Reference dimension E ⁽¹⁾	Over (Incl.)	5.5	8	9	
	Under	25.5	38	39	
Maximum length ⁽²⁾		1 000 (1 480)	960 (1 800)	960 (1 800)	
Maximum number of track rails for butt jointing		2	2	2	
Maximum length of butt jointing track rails		1 880	1 740	1 740	

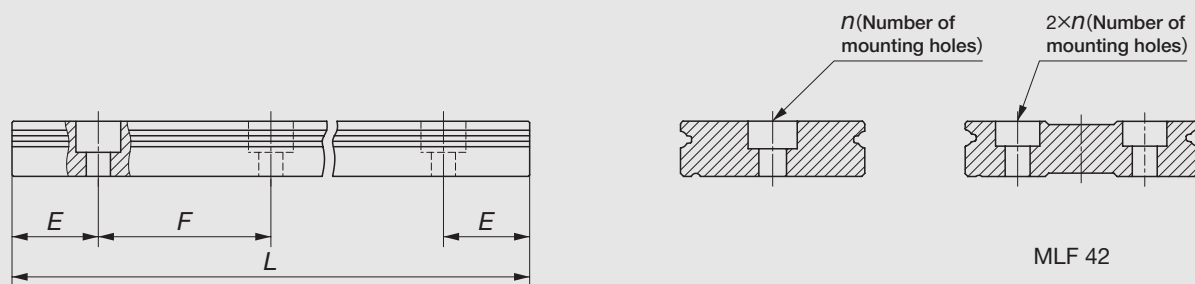
Note(1) : Not applied to optional specification "track rail stopper pins" (supplemental code "/S")

(2) : The track rails can be manufactured up to the maximum length shown in parentheses. If required, please consult **IKD**.

Remark 1 : The above table shows representative model numbers but is applicable to all models of the same size.

2 : "Maximum number of butt-jointing track rails" and "Maximum length of butt-jointing track rails" do not apply to the track rails of interchangeable specification and tapped rail specification.

Table 8.2 C-Sleeve Linear Way MLF (Wide type) Standard and maximum lengths of track rails



unit : mm

Model number	MLF 10	MLF 14	MLF 18	MLF 24
Item				
Standard length $L(n)$	60(3) 80(4) 120(6) 160(8) 220(11) 280(14)	90(3) 120(4) 150(5) 180(6) 240(8) 300(10)	90(3) 120(4) 150(5) 180(6) 240(8) 300(10)	120(3) 160(4) 240(6) 320(8) 400(10) 480(12)
Mounting hole pitch F	20	30	30	40
E	10	15	15	20
Reference dimension E ⁽¹⁾	Over (Incl.)	4.5	5.5	5.5
	Under	14.5	20.5	20.5
Maximum length ⁽²⁾	300 (500)	300 (990)	690 (1 860)	680 (1 960)
Maximum number of track rails for butt jointing	7	8	3	3
Maximum length of butt jointing track rails	1 840	1 950	1 920	1 840
Model number	MLF 30	MLF 42		
Item				
Standard length $L(n)$	160(4) 240(6) 320(8) 440(11) 560(14) 680(17)	160(4) 240(6) 320(8) 440(11) 560(14) 680(17)		
Mounting hole pitch F	40	40		
E	20	20		
Reference dimension E ⁽¹⁾	Over (Incl.)	6.5	6.5	
	Under	26.5	26.5	
Maximum length ⁽²⁾	680 (2 000)	680 (2 000)		
Maximum number of track rails for butt jointing	3	3		
Maximum length of butt jointing track rails	1 840	1 840		

Note(1) : Not applied to optional specification "track rail stopper pins" (supplemental code "/S")

(2) : The track rails can be manufactured up to the maximum length shown in parentheses. If required, please consult **IKO**.

Remark 1 : The above table shows representative model numbers but is applicable to all models of the same size.

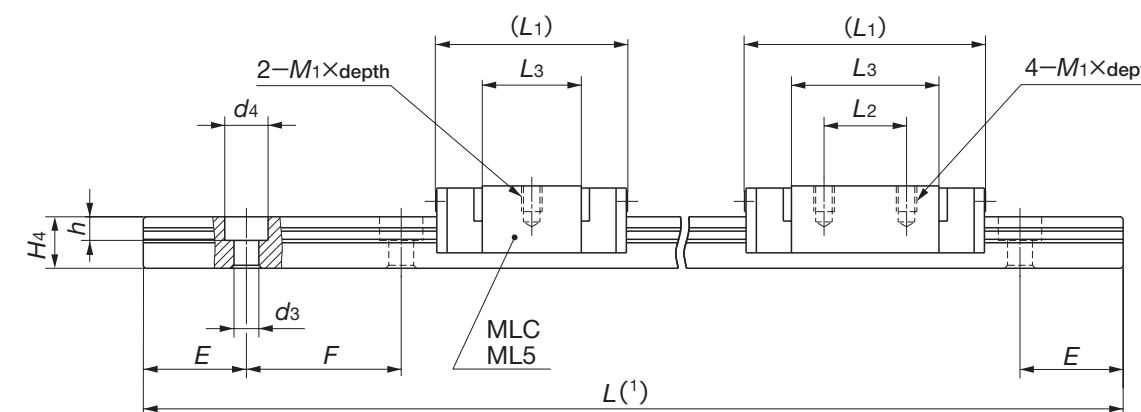
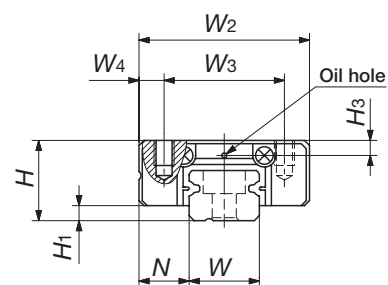
2 : "Maximum number of butt-jointing track rails" and "Maximum length of butt-jointing track rails" do not apply to the track rails of interchangeable specification and tapped rail specification.

IKO C-Sleeve Linear Way ML Standard type



A

MLC
ML
MLG



ML, MLF

Model number	Interchangeable	Mass (Reference) g		Dimension of assembly mm			Dimension of slide unit mm							
		Slide unit	Track rail (per 100mm)	H	H ₁	N	W ₂	W ₃	W ₄	L ₁	L ₂	L ₃	M ₁ × depth	
MLC 5	☆	3.4	12	6	1	3.5	12	8	2	16	-	9.6	M2 × 1.5	
ML 5	☆	4.3								19		12.6		
MLC 7	☆	6.7	22	8	1.5	5	17	12	2.5	19	-	9.6	M2 × 2.5	
ML 7	☆	9.1								23.5		8		14.3
MLG 7	☆	13								31		12		21.6
MLC 9	☆	11	35	10	2	5.5	20	15	2.5	21.5	-	11.9	M3 × 3	
ML 9	☆	18								30		10		20.8
MLG 9	☆	26								40.5		15		30.9
MLC 12	☆	22	65	13	3	7.5	27	20	3.5	25	-	13	M3 × 3.5	
ML 12	☆	34								34		15		21.6
MLG 12	☆	48								44		20		32

H ₃	Dimension of track rail mm								Appended mounting bolt for track rail mm Bolt size x length	Basic dynamic load rating ⁽²⁾ C N	Basic static load rating ⁽²⁾ C ₀ N	Static moment rating ⁽²⁾		
	W	H ₄	d ₃	d ₄	h	E	F	T ₀ N·m				T _x N·m	T _y N·m	
1.2	5	3.7	2.4	3.6	0.8	7.5	15	Cross-recessed head cap screw for precision equipment M2×6	562	841	2.2	1.4	1.2	
									676	1 090	2.9	8.5	7.2	
1.5	7	5	2.4	4.2	2.3	7.5	15	Hexagon socket head bolt M2×6	937	1 140	4.1	1.8	1.5	
									1 330	1 890	6.9	14.9	12.5	
									1 690	2 650	9.7	4.7	3.9	
2.2	9	6	3.5	6	3.5	10	20	Hexagon socket head bolt M3×8	1 180	1 480	6.9	2.9	2.4	
									1 810	2 760	12.8	21.4	18.0	
									2 370	4 030	18.7	9.1	7.6	
2.7	12	8	3.5	6.5	4.5	12.5	25	Hexagon socket head bolt M3×8	2 210	2 380	14.8	5.3	4.5	
									3 330	4 290	26.6	41.7	35.0	
									4 310	6 200	38.4	15.4	12.9	
												30.6	25.7	
												168	141	

Note⁽¹⁾: Track rail lengths L are shown in Table 8.1 on page A-8.

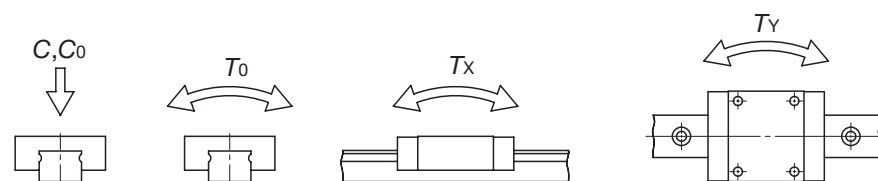
⁽²⁾: The directions of basic dynamic load rating (C), basic static load rating (C₀) and static moment rating (T₀, T_x and T_y) are shown in the sketches below. The upper values in the T_x and T_y column apply to one slide unit, and the lower values apply to two units in close contact.

Remark 1: The mark ☆ indicates that it is also applicable to interchangeable specification.

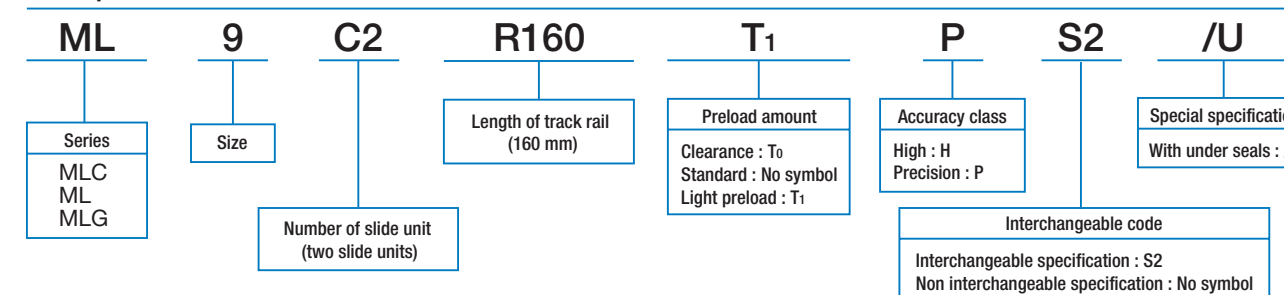
2: The appended bolts for mounting track rails are stainless hexagon socket head bolts of JIS B1176 or equivalent, or stainless cross-recessed head cap screws for precision equipment.

3: Oil hole is provided for ML5 to ML12 models.

4: For specification of oil hole, see page 99.



Example of identification number for assembled set (For details, see "Identification number and specification".)



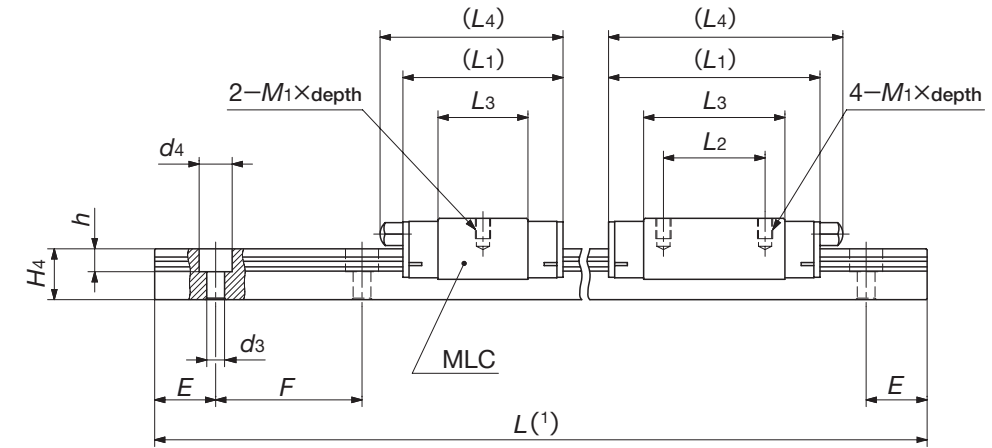
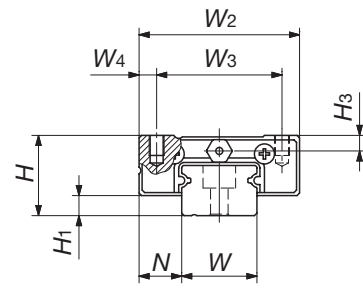
※In case ordering track rail only, model code is changed as shown below.
Track rail of interchangeable ML → Model code LWL...B (Ex: LWL9R160BPS2)

IKO C-Sleeve Linear Way ML Standard type



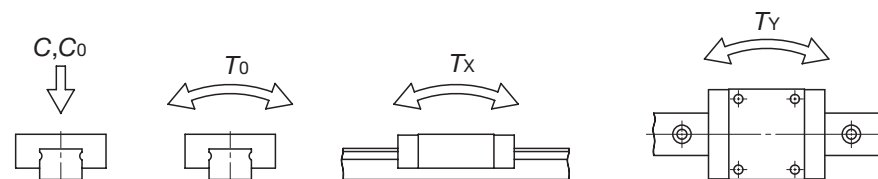
A

MLC
ML
MLG



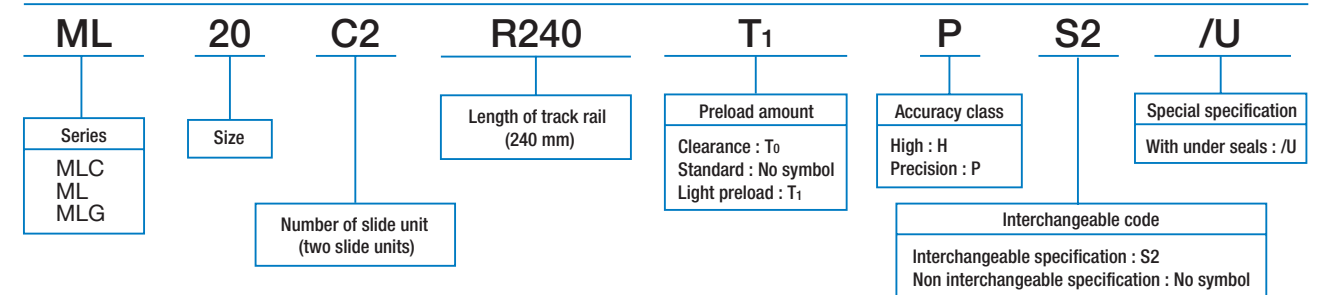
Model number	Interchangeable	Mass (Reference) g		Dimension of assembly mm			Dimension of slide unit mm							
		Slide unit	Track rail (per 100mm)	H	H ₁	N	W ₂	W ₃	W ₄	L ₁	L ₂	L ₃	L ₄	M ₁ × depth
MLC 15	☆	43	107	16	4	8.5	32	25	3.5	32	—	17.8	36	M3 × 4
ML 15	☆	63								42	20	27.9	47	
MLG 15	☆	93								57	25	42.8	62	
MLC 20	☆	89	156	20	5	10	40	30	5	38	—	22.3	42	M4 × 6
ML 20	☆	130								50	25	34.6	55	
MLG 20	☆	189								68	30	52.3	72	
MLC 25	☆	189	243	25	5	12.5	48	35	6.5	55	—	31.9	65	M6 × 7
ML 25	☆	305								78	35	55.7	89	
MLG 25	☆	405								98	40	75.5	108	

Note(1) : Track rail lengths L are shown in Table 8.1 on page A-8.
 (2) : The directions of basic dynamic load rating (C), basic static load rating (C₀) and static moment rating (T₀, T_x and T_y) are shown in the sketches below. The upper values in the T_x and T_y column apply to one slide unit, and the lower values apply to two units in close contact.
 Remark 1 : The mark ☆ indicates that it is also applicable to interchangeable specification.
 2 : The appended bolts for mounting track rails are stainless hexagon socket head bolts of JIS B1176 or equivalent, or stainless cross-recessed head cap screws for precision equipment.
 3 : For specification of grease nipple, see page 97.



H ₃	Dimension of track rail mm							Appended mounting bolt for track rail mm Bolt size x length	Basic dynamic load rating ⁽²⁾ C N	Basic static load rating ⁽²⁾ C ₀ N	Static moment rating ⁽²⁾		
	W	H ₄	d ₃	d ₄	h	E	F				T ₀ N·m	T _x N·m	T _y N·m
3.1	15	10	3.5	6.5	4.5	20	40	Hexagon socket head bolt M3 × 10	3 490	3 890	30.0	11.7	9.8
									4 980	6 490	50.0	29.7	24.9
									6 620	9 740	75.0	63.9	53.6
4.2	20	11	6	9.5	5.5	30	60	Hexagon socket head bolt M5 × 14	4 580	5 300	54.0	19.4	16.3
									6 650	9 080	92.6	52.7	44.2
									8 510	12 900	131	102	85.7
5	23	15	7	11.0	9.0	30	60	Hexagon socket head bolt M6 × 16	9 120	10 600	128	57.4	48.1
									13 500	18 500	223	163	137
									16 700	25 200	303	293	246

Example of identification number for assembled set (For details, see "Identification number and specification".)



※In case ordering track rail only, model code is changed as shown below.
 Track rail of interchangeable ML → Model code LWL...B (Ex: LWL20R240BPS2)

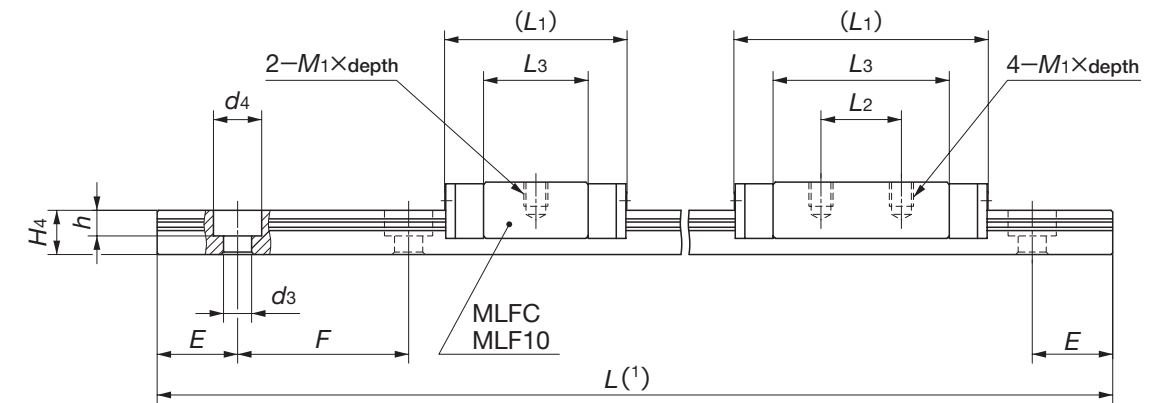
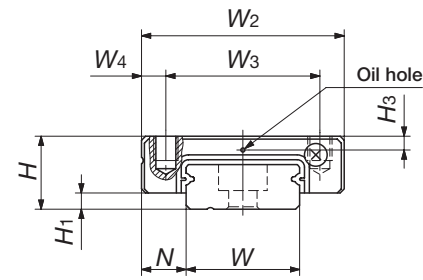
ML, MLF

IKO C-Sleeve Linear Way MLF Wide type



A

MLFC
MLF
MLFG



Model number	Interchangeable	Mass (Reference) g		Dimension of assembly mm			Dimension of slide unit mm							
		Slide unit	Track rail (per 100mm)	H	H ₁	N	W ₂	W ₃	W ₄	L ₁	L ₂	L ₃	M ₁ × depth	H ₃
MLFC 10	☆	6.1	28	6.5	1.5	3.5	17	13	2	20.5	—	13.6	M2.5 × 1.5	1.3
MLF 10	☆	7.6								24.5	—	17.6		
MLFC 14	☆	13	54	9	2	5.5	25	19	3	22.5	—	13	M3 × 3	1.7
MLF 14	☆	20								31.5	10	22		
MLFG 14	☆	29								42	19	32.5		
MLFC 18	☆	26	90	12	3	6	30	21	4.5	26.5	—	16.6	M3 × 3	2.5
MLF 18	☆	42								39	12	28.6		
MLFG 18	☆	59								50.5	24	40.4		
MLFC 24	☆	46	139	14	3	8	40	28	6	30.5	—	17.7	M3 × 3.5	3.2
MLF 24	☆	74								44	15	31		
MLFG 24	☆	108								59	28	46.3		

Dimension of track rail mm							Appended mounting bolt for track rail mm	Basic dynamic load rating ⁽²⁾ C	Basic static load rating ⁽²⁾ C ₀	Static moment rating ⁽²⁾		
W	H ₄	d ₃	d ₄	h	E	F				Bolt size x length	N	N
10	4	2.9	4.8	1.6	10	20	Cross-recessed head cap screw for precision equipment M2.5×7	712	1 180	6.1	2.6	2.2
								849	1 510	7.8	14.9	12.5
14	5.5	3.5	6	3.2	15	30	Hexagon socket head bolt M3×8	1 240	1 700	12.2	3.8	3.2
								1 770	2 840	20.3	24.6	20.7
								2 320	4 160	29.8	10.1	8.4
18	7	3.5	6.5	4.5	15	30	Hexagon socket head bolt M3×8	1 510	2 120	19.4	5.5	4.7
								2 280	3 810	34.9	35.9	30.1
								2 870	5 300	48.5	16.9	14.2
											90.1	75.6
											31.9	26.7
											159	134
24	8	4.5	8	4.5	20	40	Hexagon socket head bolt M4×10	2 800	3 340	40.7	9.7	8.2
								4 310	6 200	75.6	67.6	56.8
								5 620	9 060	111	30.6	25.7
											168	141
											63.3	53.1
											321	270

Note⁽¹⁾: Track rail lengths L are shown in Table 8.2 on page A-9.

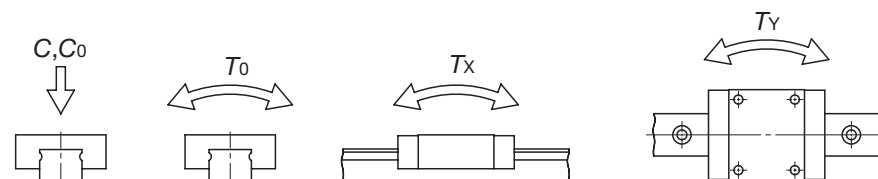
⁽²⁾: The directions of basic dynamic load rating (C), basic static load rating (C₀) and static moment rating (T₀, T_x and T_y) are shown in the sketches below. The upper values in the T_x and T_y column apply to one slide unit, and the lower values apply to two units in close contact.

Remark 1: The mark ☆ indicates that it is also applicable to interchangeable specification.

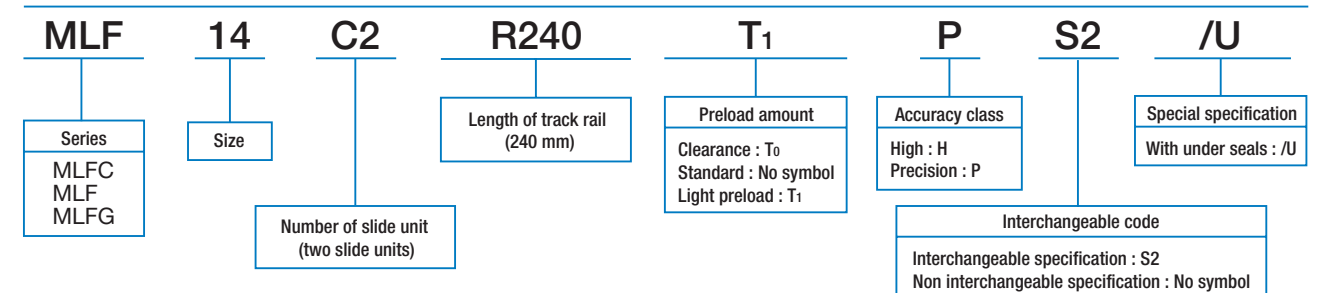
2: The appended bolts for mounting track rails are stainless hexagon socket head bolts of JIS B1176 or equivalent, or stainless cross-recessed head cap screws for precision equipment.

3: Oil hole is provided for MLF10 to MLF24 models.

4: For specification of oil hole, see page 99.



Example of identification number for assembled set (For details, see "Identification number and specification".)



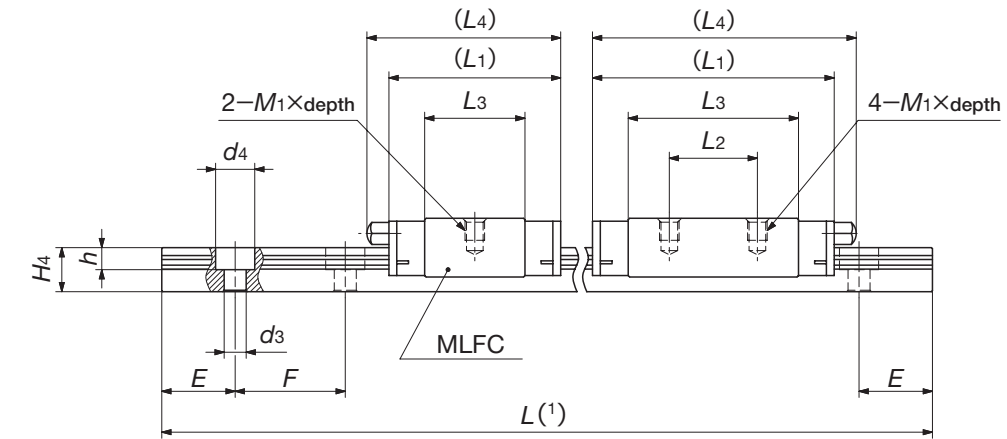
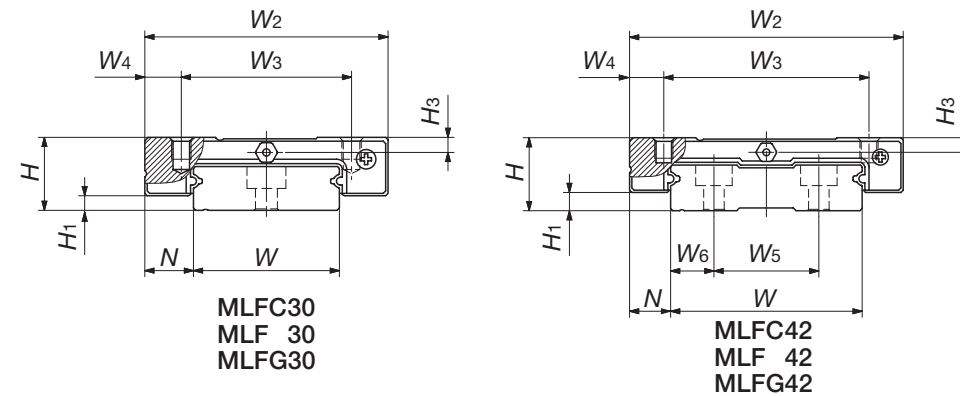
※In case ordering track rail only, model code is changed as shown below.
Track rail of interchangeable MLF → Model code LWLF...B (Ex: LWLF14R240BPS2)

IKO C-Sleeve Linear Way MLF Wide type



A

MLFC
MLF
MLFG



Model number	Interchangeable	Mass (Reference) g		Dimension of assembly mm			Dimension of slide unit mm								
		Slide unit	Track rail (per 100mm)	H	H ₁	N	W ₂	W ₃	W ₄	L ₁	L ₂	L ₃	L ₄	M ₁ × depth	H ₃
MLFC 30	☆	70	198	15	3	10	50	35	7.5	35.5	—	20.5	40	M4 × 4.5	3.1
MLF 30	☆	111								50	18	34.8	54		
MLFG 30	☆	167								68.5	35	53.8	73		
MLFC 42	☆	95	294	16	4	9	60	45	7.5	41.5	—	25.7	46	M4 × 4.5	3.2
MLF 42	☆	138								55	20	39.4	60		
MLFG 42	☆	200								74.5	35	58.7	79		

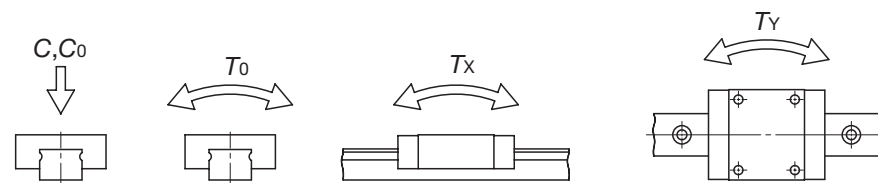
Note(1) : Track rail lengths L are shown in Table 8.2 on page A-9.

(2) : The directions of basic dynamic load rating (C), basic static load rating (C₀) and static moment rating (T₀, T_x and T_y) are shown in the sketches below. The upper values in the T_x and T_y column apply to one slide unit, and the lower values apply to two units in close contact.

Remark 1 : The mark ☆ indicates that it is also applicable to interchangeable specification.

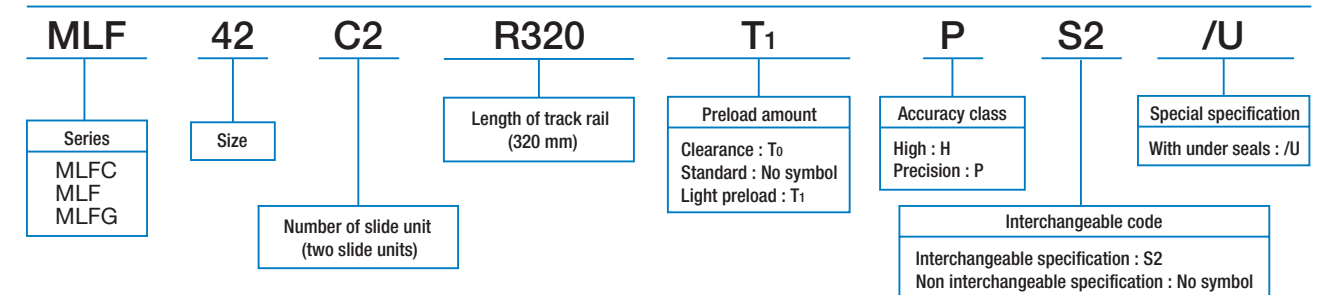
2 : The appended bolts for mounting track rails are stainless hexagon socket head bolts of JIS B1176 or equivalent, or stainless cross-recessed head cap screws for precision equipment.

3 : For specification of grease nipple, see page 97.



Dimension of track rail mm									Appended mounting bolt for track rail mm	Basic dynamic load rating ⁽²⁾	Basic static load rating ⁽²⁾	Static moment rating ⁽²⁾			
W	H ₄	W ₅	W ₆	d ₃	d ₄	h	E	F				Bolt size x length	C	C ₀	T ₀
											N	N	N·m	N·m	N·m
30	9	—	—	4.5	8	4.5	20	40	Hexagon socket head bolt M4 × 12	3 890	4 540	69.1	15.4	13.0	
										5 970	8 440	128	48.7	89.9	
										7 810	12 300	187	100	84.3	
42	10	23	9.5	4.5	8	4.5	20	40	Hexagon socket head bolt M4 × 12	5 440	6 810	144	30.8	25.8	
										7 050	9 840	209	61.3	51.4	
										9 520	15 100	321	140	117	
														508	426
														180	151
														333	280
														674	565

Example of identification number for assembled set (For details, see "Identification number and specification".)



※In case ordering track rail only, model code is changed as shown below.
Track rail of interchangeable MLF → Model code LWLF...B (Ex: LWLF42R320BPS2)

Maintenance Free & Interchangeable

U.S. PATENTED

C-Sleeve Linear Way ME

ME/MET/MES

IKO C-Sleeve Linear Way ME is a linear motion rolling guide, incorporating the C-Sleeve as a components part for lubrication in the slide unit of compact type Linear Way E series to achieve maintenance free operations for a long period of time.

Long-term maintenance free

The lubricant in the C-Sleeve keeps the lubrication performance for a long period of time and achieves long-term maintenance free operations. (5 years and 20,000km)

So man-hours for troublesome lubrication control can be reduced.

Lightweight and compact

The C-Sleeve is incorporated in the lightweight and compact slide unit of miniature type Linear Way E series without changing the external dimensions of the slide unit.

Smooth and light motion

As the C-Sleeve is not in contact with the track rail, frictional resistance does not increase. A smooth and light motion is ensured.

Various lengths of slide unit

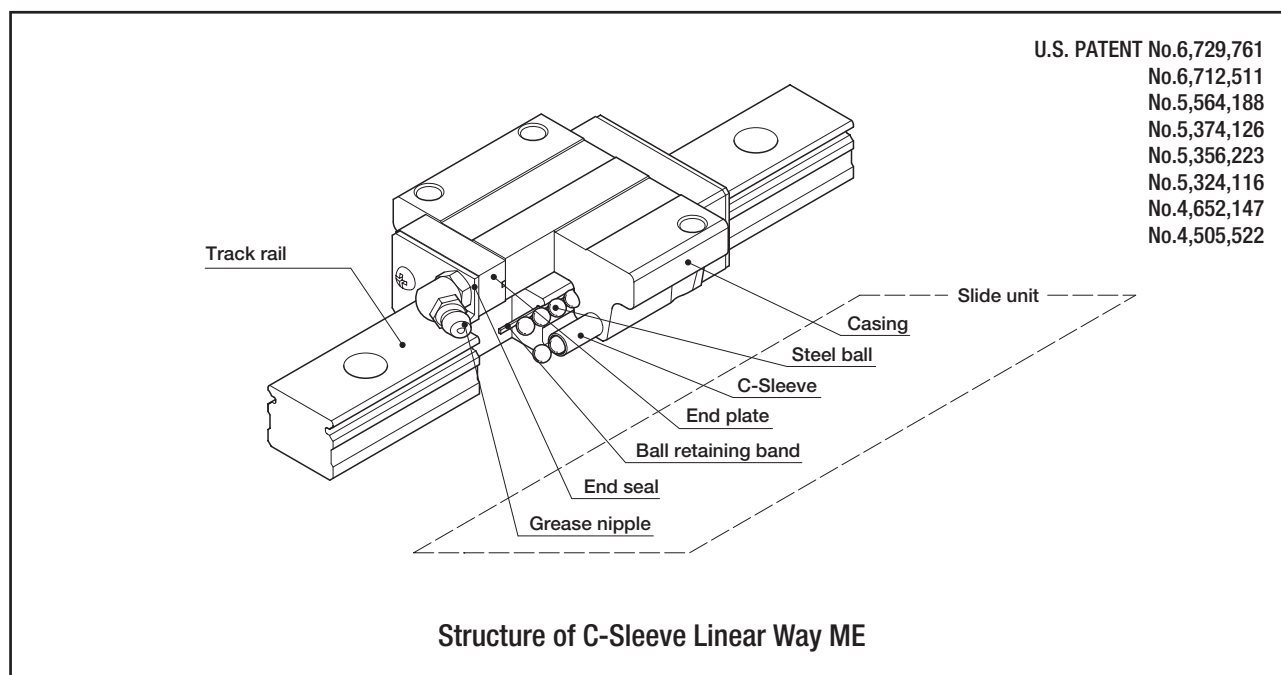
In addition to the standard slide unit, a short type slide unit and a high rigidity long type slide unit both having the same sectional dimensions with the standard slide unit are available.

Flange type and block type

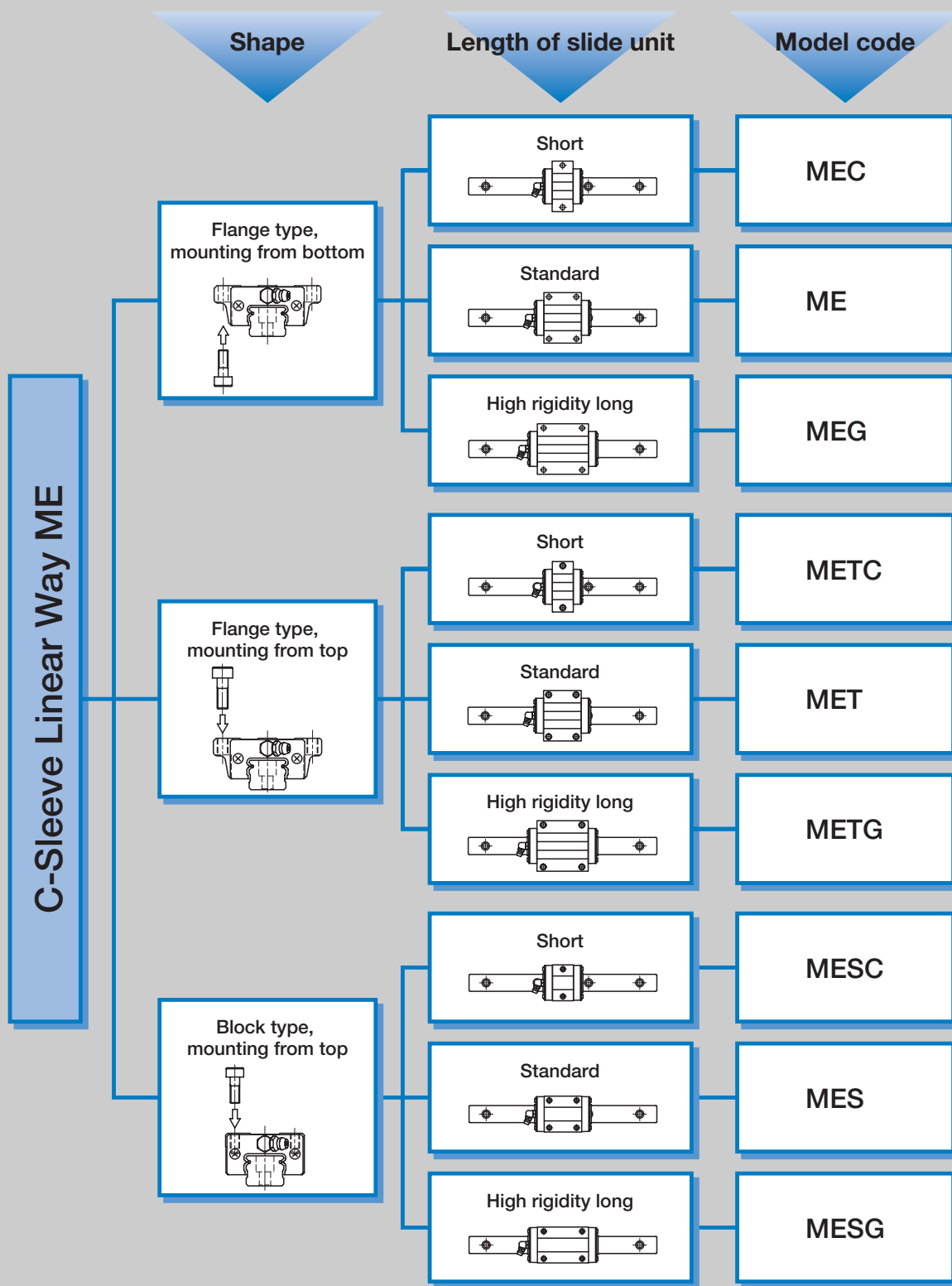
Slide units are available in three different sectional shapes; two flange types for different mounting directions and one block type with a narrow width.

Interchangeability

The track rails and the slide units of interchangeable specification can be handled separately and can be assembled to make a set as required. Three types of slide units with different lengths are prepared. The best type and size can be selected these entire slide units can be freely assembled on the same track rail.

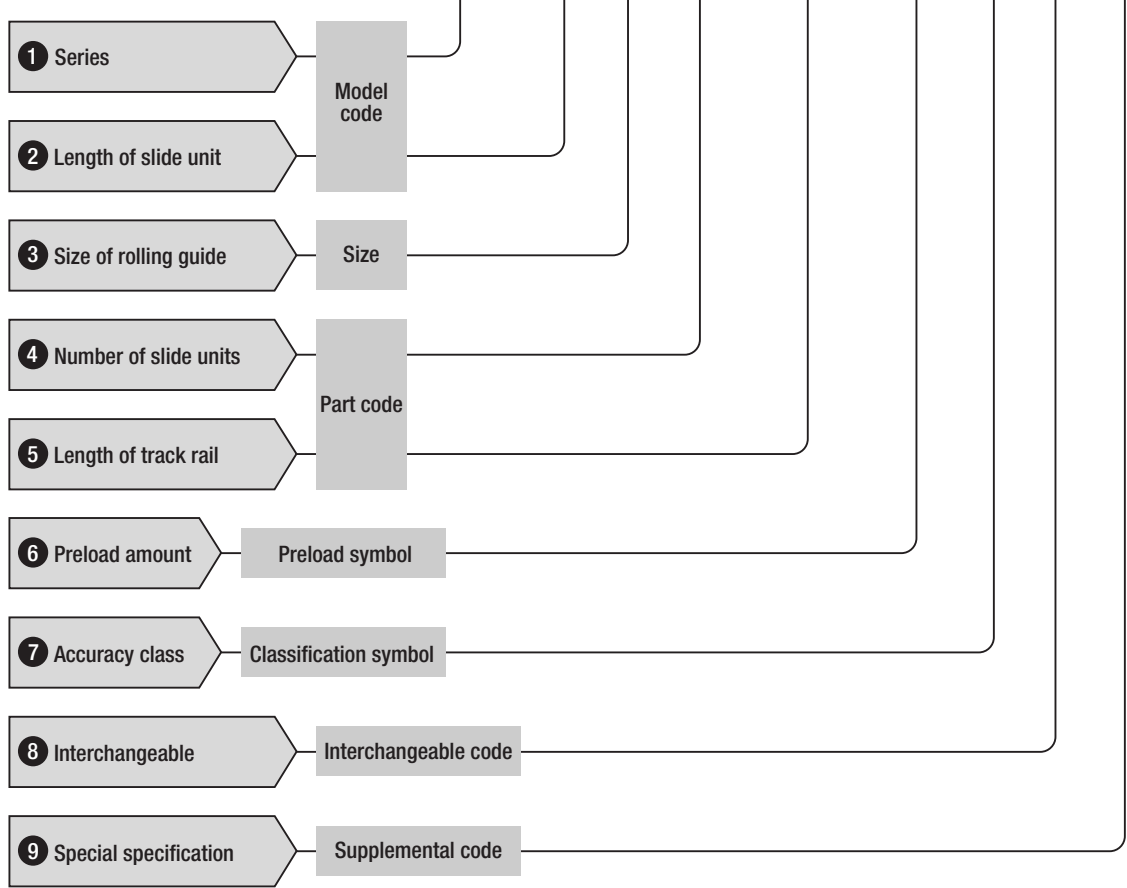
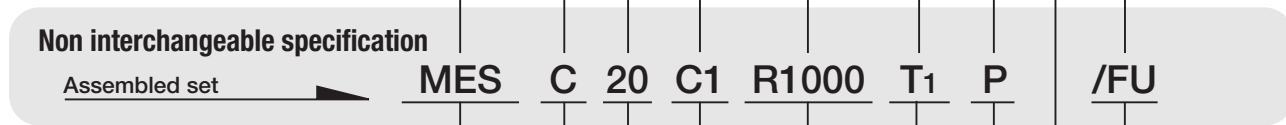
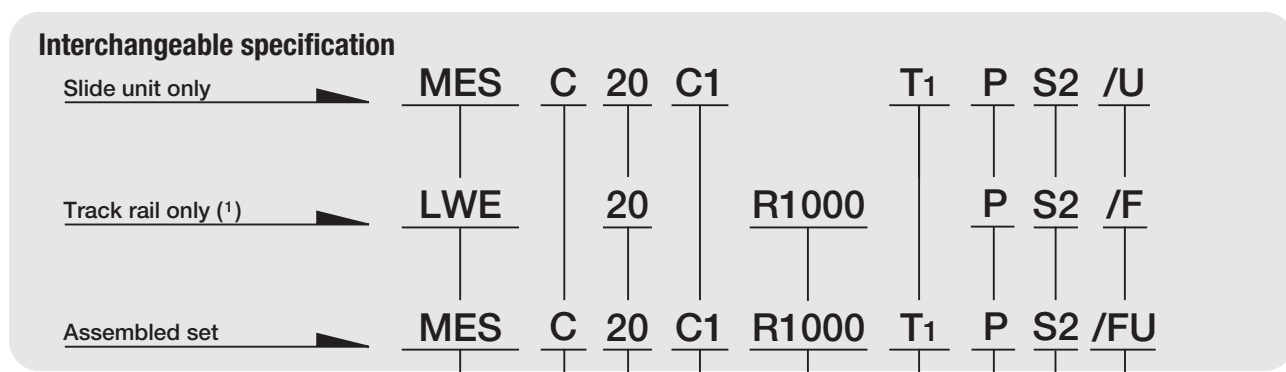


Variation of IKO C-Sleeve Linear Way ME



● Identification number and specification

The specification of C-Sleeve Linear Way ME is indicated by the identification number, consisting of a model code, a size, a part code, a preload symbol, a classification symbol and any supplemental codes. For details of each specification, see page 76.



Note(1) : In case ordering track rail only, model code should be changed as shown below.
 Track rail of interchangeable ME → Model code LWE (Ex: LWE15R1000PS2)

1 Series

Flange type, mounting from bottom : **ME**
 Flange type, mounting from top : **MET**
 Block type, mounting from top : **MES**

2 Length of slide unit

Short : **C**
 Standard : No symbol
 High rigidity long : **G**

Applicable size and shape of slide unit are shown in Table 1.1 to 1.3 below.

3 Size

Type and size of standard type C-Sleeve Linear Way ME

Table 1.1 Flange type, mounting from bottom

Size \ Type	Carbon steel		
	Short MEC	Standard ME	High rigidity long MEG
15	☆	☆	☆
20	☆	☆	☆
25	☆	☆	☆

Table 1.2 Flange type, mounting from top

Size \ Type	Carbon steel		
	Short METC	Standard MET	High rigidity long METG
15	☆	☆	☆
20	☆	☆	☆
25	☆	☆	☆

Table 1.3 Block type, mounting from top

Size \ Type	Carbon steel		
	Short MESC	Standard MES	High rigidity long MESG
15	☆	☆	☆
20	☆	☆	☆
25	☆	☆	☆

Remark : The mark ☆ indicates that it is also applicable to interchangeable specification.

4 Number of slide unit

Assembled set : C○
 Slide unit only : C1

For an assembled set, indicate the number of slide units assembled on one track rail. For an interchangeable slide unit only, "C1" can be indicated.

5 Length of track rail

Assembled set : R○
 Track rail only : R○

Indicate the length of track rail in mm. For standard and maximum lengths, see "Track rail length" on page A-27.

6 Preload amount

Clearance : T_C
 Standard : No symbol
 Light preload : T₁
 Medium preload : T₂

Specify this items for an assembled set or an interchangeable single slide unit. Applicable preload and size are shown in Table 3. For detail of preload amount, see page 84.

7 Accuracy class

Ordinary : No symbol
 High class : H
 Precision class : P
 Super precision : SP

In interchangeable specification, please combine same accuracy codes on both slide unit and track rail. For combination of accuracy and preload, see Table 2. Detail of accuracy is shown in page 79.

Table 2 Combination of accuracy and preload

Accuracy class and symbol Preload class and symbol	Ordinary class (No symbol)	High class (H)	Precision class (P)	Super precision class (SP)
Clearance (T _C)	☆	—	—	—
Standard (No symbol)	☆	☆	☆	○
Light preload (T ₁)	—	☆	☆	○
Medium preload (T ₂)	—	○	○	○

Remark : The mark ☆ indicates that it is also applicable to interchangeable specification.

8 Inetrchangeable

Select group 1 : S1
 Select group 2 : S2

Specify this item for the interchangeable specification products. Assemble track rails and slide units with the same interchangeable code. Performance and accuracy of "S1" group and "S2" group are the same.

9 Special specifications

Applicable special specifications are shown in Table 3. When a combination of several special specifications is required, please refer Table 4 and arrange their supplemental codes in alphabetical order. For detail of specifications are show on page 86.

Table 3 Applicable specifications

Specifications	Supplemental code	Set product	Track rail only	Slide unit only	Dimension
Butt jointing track rail	A	○	—	—	
Opposite reference surfaces arrangement	D	☆	—	—	
Specified rail mounting hole positions	E	☆	☆	—	
Caps for rail mounting holes	F	☆	☆	—	
Appending inspection sheet	I	○	—	—	
Female threads for bellows	J	☆	☆	☆	See table 5.1 and 5.2
Black chrome surface treatment	L	☆	—	—	
Fluoric black chrome surface treatment	LF	☆	—	—	
With track rail mounting bolts	MA	☆	☆	—	See table 6
Change of mounting hole size	M4	☆ ⁽¹⁾	☆ ⁽¹⁾	—	See table 7
No rubber end seals	N	☆	—	☆	
Butt jointing interchangeable track rail	T	☆ ⁽²⁾	☆	—	
Under seals	U	☆	—	☆	See table 8
Double end seals	V	☆	—	☆	See table 9
Matched sets to be used as an assembled group	W	○	—	—	
Scrapers	Z	☆	—	☆	See table 10

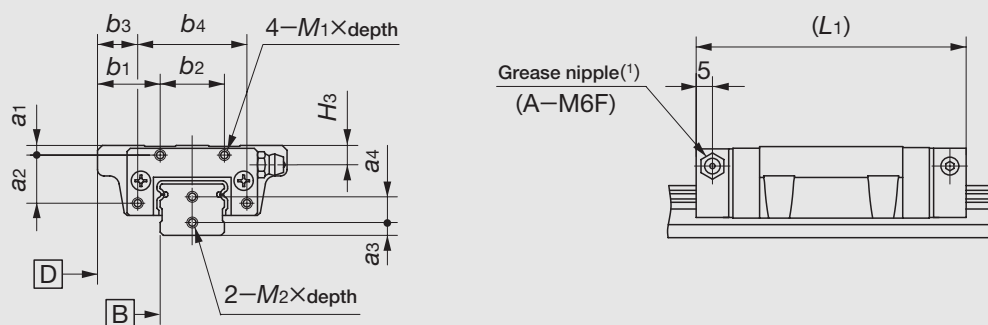
Note⁽¹⁾ : Applicable to size 15
⁽²⁾ : Not applicable to non interchangeable specification
 Remark : The mark ☆ indicates that it is also applicable to interchangeable specification.

Table 4 Combination of special specifications

D	○																			
E	—	—																		
F	○	☆	☆																	
I	○	○	○	○																
J	○	☆	☆	☆	○															
L	○	☆	☆	☆	○	☆														
LF	○	☆	☆	☆	○	☆	—													
MA	○	☆	☆	☆	○	☆	☆	☆												
M4	○	☆	☆	☆	○	☆	☆	☆	☆											
N	○	☆	☆	—	○	—	☆	☆	☆	☆										
T	—	☆	☆	☆	—	—	☆	☆	☆	☆	☆									
U	○	☆	☆	☆	○	☆	☆	☆	☆	☆	—	☆								
V	○	☆	☆	☆	○	★	☆	☆	☆	☆	—	☆	☆							
W	○	○	—	○	○	○	○	○	○	○	○	—	○	○						
Z	○	☆	☆	☆	○	★	☆	☆	☆	☆	—	☆	☆	★	○					
	A	D	E	F	I	J	L	LF	MA	M4	N	T	U	V	W					

Remark 1 : In the table, the mark ○ indicates that this combination can be made.
 2 : The mark ☆ indicates that the combination is available for also interchangeable specification.
 3 : When the specification with ★ is required, please consult **IKD**.
 4 : When a combination of several specifications is required, arrange their supplemental codes in alphabetical order.

Table 5.1 Female threads for bellows for flange type ME (Supplemental code /JJ)



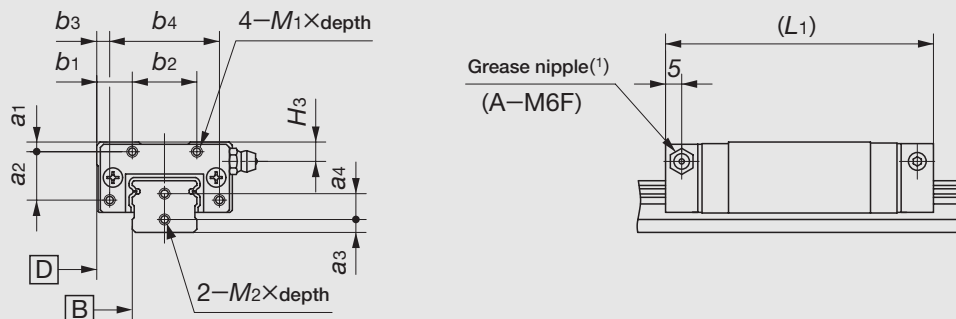
unit : mm

Model number	Slide unit									Track rail		
	a1	a2	b1	b2	b3	b4	M1×depth	L1 ⁽²⁾	H3	a3	a4	M2×depth
ME (T) C 15	3	12	18	16	12	28	M3×6	58	5.7	4	7	M3×6
ME (T) 15								74				
ME (T) G 15								87				
ME (T) C 20	3	15	19.5	20	12.5	34	M3×6	64	6	4	8	M3×6
ME (T) 20								83				
ME (T) G 20								99				
ME (T) C 25	3.5	17	23.5	26	16.5	40	M3×6	76	7	5	9	M4×8
ME (T) 25								100				
ME (T) G 25								119				

Note⁽¹⁾ : The specification and mounting positions of grease nipple are different from those of the standard specification product. Size 15 models are provided with a special specification grease nipple (NPB2 type). For detail of dimensions, consult **IKO** for further information.

⁽²⁾ : The values are for the slide unit with female threads for bellows at both ends.

Table 5.2 Female threads for bellows for block type MES (Supplemental code /JJ)



unit : mm

Model number	Slide unit									Track rail		
	a1	a2	b1	b2	b3	b4	M1×depth	L1 ⁽²⁾	H3	a3	a4	M2×depth
MESC 15	3	12	9	16	3	28	M3×6	58	5.7	4	7	M3×6
MES 15								74				
MESG 15								87				
MES 20	3	15	11	20	4	34	M3×6	64	6	4	8	M3×6
MES 20								83				
MESG 20								99				
MESC 25	3.5	17	11	26	4	40	M3×6	76	7	5	9	M4×8
MES 25								100				
MESG 25								119				

Note⁽¹⁾ : The specification and mounting positions of grease nipple are different from those of the standard specification product. Size 15 models are provided with a special specification grease nipple (NPB2 type). For detail of dimensions, consult **IKO** for further information.

⁽²⁾ : The values are for the slide unit with female threads for bellows at both ends.

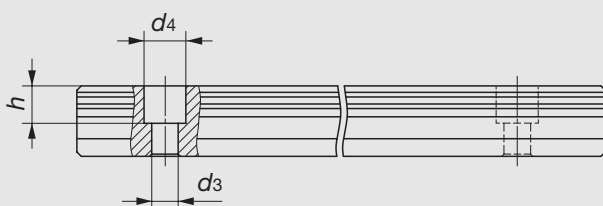
Table 6 Appended bolts size for mounting track rail (Supplemental code /MA)

Model number	Bolt size
ME 15	M 3×16
	M 4×16 ⁽¹⁾
ME 20	M 5×16
ME 25	M 6×20

Note⁽¹⁾ : Applicable to track rail with supplemental code "/M4".

Remark 1 : The table shows representative model numbers but is applicable to all models of the same size.
2 : Hexagon socket bolts of JIS B 1176 strength division 12.9 are appended.

Table 7 Changed size of mounting holes (Supplemental code /M4) for size 15

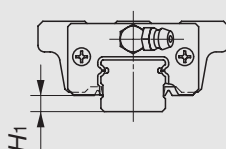


unit : mm

Model number	d3	d4	h
ME 15	4.5	8	6

Remark : The table shows representative model number but is applicable to all model of the same size.

Table 8 H₁ dimension of slide unit with under seals (Supplemental code /U)

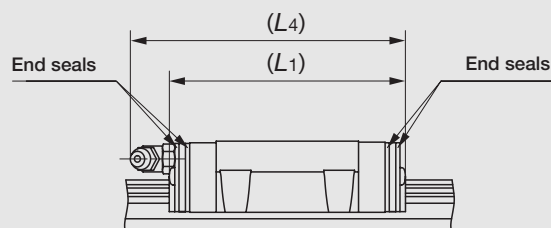


unit : mm

Model number	H ₁
ME 15	5
ME 20	5
ME 25	6

Remark : The table shows representative model numbers but is applicable to all models of the same size.

Table 9 Slide unit with double end seals (Supplemental code /V, /VV)

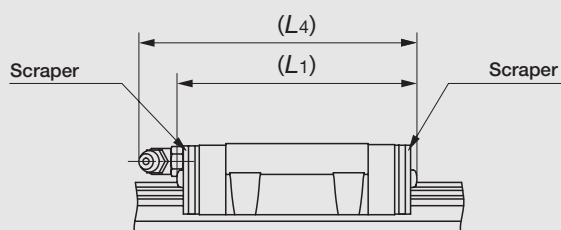


unit : mm

Model number	L1	L4
MEC 15	48	50
ME 15	64	66
MEG 15	76	78
MEC 20	54	68
ME 20	73	87
MEG 20	89	103
MEC 25	67	80
ME 25	91	104
MEG 25	110	123

Remark 1 : The table shows representative model numbers but is applicable to all models of the same size.
 2 : The total lengths of slide unit with double end seals at both ends are shown.

Table 10 Slide unit with scrapers (Supplemental code /Z, /ZZ)



unit : mm

Model number	L1	L4
MEC 15	48	50
ME 15	64	66
MEG 15	77	79
MEC 20	55	69
ME 20	75	88
MEG 20	90	104
MEC 25	69	81
ME 25	93	105
MEG 25	112	124

Remark 1 : The table shows representative model numbers but is applicable to all models of the same size.
 2 : The total lengths of slide unit with scrapers at both ends are shown.

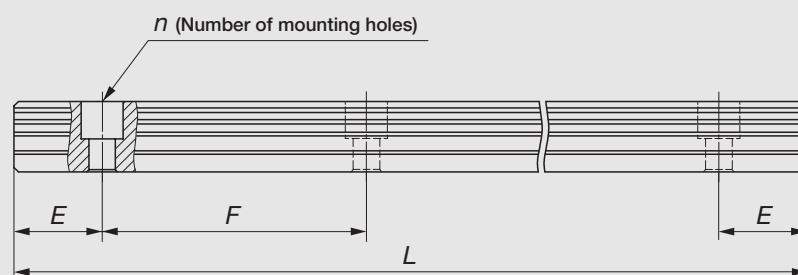
● Track rail length

Standard and maximum lengths of track rail are shown in Table 11.

Track rail in any lengths are also available. Simply indicate the necessary length of track rail in millimeter (mm) in the identification number.

- In non-interchangeable specification, for track rail longer than the maximum length shown in Table 11, butt-jointing track rails are available upon request. In this case, indicate supplemental code "/A" in the identification number.
- E dimensions at both ends are the same unless otherwise specified. To change these dimensions, specify the specified rail mounting hole positions (supplemental code "/E") of special specification. For detail, see page 89.

Table 11 Standard and maximum lengths of high carbon track rails



unit : mm

Item	Model number	ME 15	ME 20	ME 25
Standard length L (n)		160 (3)	220 (4)	220 (4)
		220 (4)	280 (5)	280 (5)
		280 (5)	340 (6)	340 (6)
		340 (6)	460 (8)	460 (8)
		460 (8)	640 (11)	640 (11)
		640 (11)	820 (14)	820 (14)
		820 (14)	1 000 (17)	1 000 (17)
			1 240 (21)	1 240 (21)
				1 600 (27)
Mounting hole pitch F		60	60	60
E ⁽¹⁾		20	20	20
Reference dimension E ⁽²⁾	Over (Incl.)	6	8	9
	Under	36	38	39
Maximum length ⁽³⁾ ⁽⁴⁾		1 600 (2 980)	2 200 (2 980)	2 980 (4 000)

Note⁽¹⁾ : When specifying a butt-jointing interchangeable track rail (supplemental code "/T"), pay attention to the E dimension at the butt-jointing part.

⁽²⁾ : Not applicable to the track rail with female threads for bellows (supplemental code "/J").

⁽³⁾ : The E dimension for the rail with the maximum length is 1/2 of the F dimension.

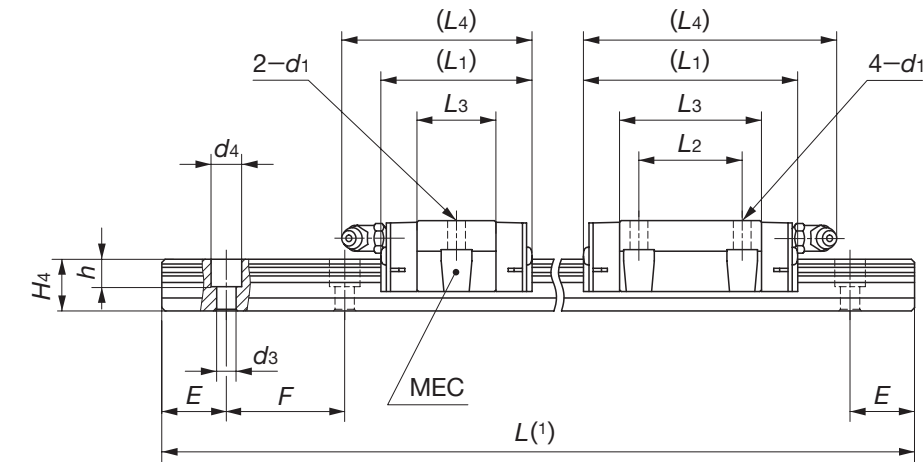
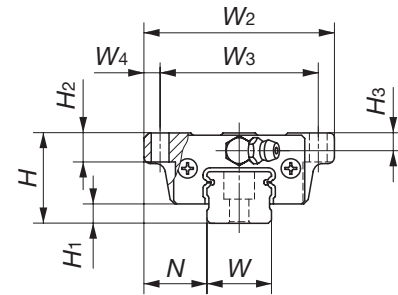
⁽⁴⁾ : Track rails with the maximum lengths shown in parentheses can also be manufactured. Consult **IKO** for further information.

Remark : The above table shows representative model numbers but is applicable to all models of the same size.

IKO C-Sleeve Linear Way ME



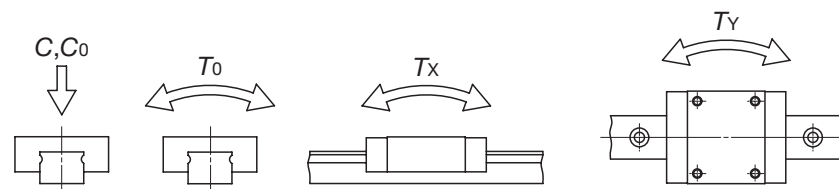
Flange type, mounting from bottom
MEC
ME
MEG



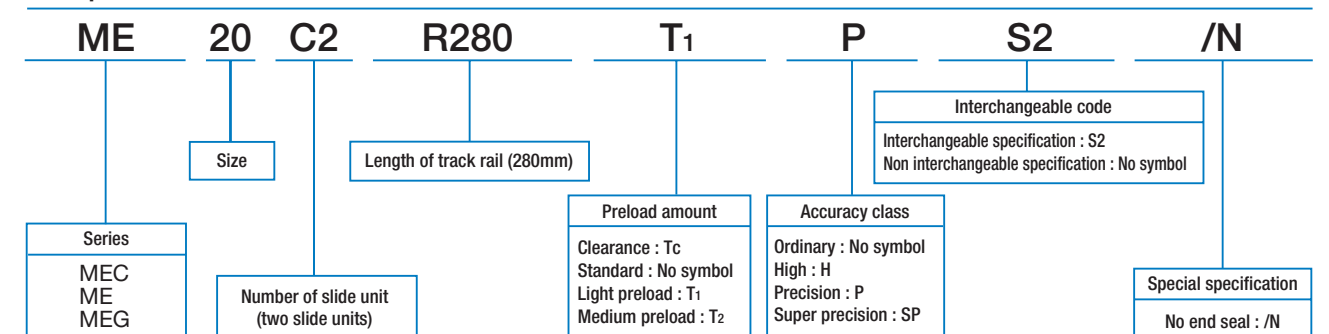
Model number	Interchangeable	Mass (Reference)		Dimension of assembly mm			Dimension of slide unit mm									
		Slide unit kg	Track rail kg/m	H	H ₁	N	W ₂	W ₃	W ₄	L ₁	L ₂	L ₃	L ₄	d ₁	H ₂	H ₃
MEC 15	☆	0.11	1.57	24	5.8	18.5	52	41	5.5	41	—	22.4	45	4.5	7	4.5
ME 15	☆	0.18								57	26	38.4	61			
MEG 15	☆	0.24								70	36	51.1	74			
MEC 20	☆	0.18	2.28	28	6	19.5	59	49	5	47	—	24.7	59	5.5	9	5.5
ME 20	☆	0.30								66.5	32	44.2	79			
MEG 20	☆	0.39								82	45	60.1	95			
MEC 25	☆	0.33	3.09	33	7	25	73	60	6.5	59	—	32	71	7	10	6.5
ME 25	☆	0.54								83	35	56	95			
MEG 25	☆	0.72								102	50	75	114			

Dimension of track rail mm							Recommended mounting bolt for track rail ⁽²⁾ mm Bolt size x length	Basic dynamic load rating ⁽³⁾ C N	Basic static load rating ⁽³⁾ C ₀ N	Static moment rating ⁽³⁾		
W	H ₄	d ₃	d ₄	h	E	F				T ₀ N·m	T _x N·m	T _y N·m
15	14.5	3.6 (4.5)	6.5 (8)	4.5 (6)	20	60	M3×16 (M4×16)	5 240	5 480	43.8	21.3 149	21.3 149
								7 640	9 390	75.1	57.6 333	57.6 333
								9 340	12 500	100	99.5 533	99.5 533
20	16	6	9.5	8.5	20	60	M5×16	7 580	7 340	78.9	31.5 235	31.5 235
								11 600	13 400	145	95.6 561	95.6 561
								14 400	18 300	197	172 918	172 918
23	19	7	11	9	20	60	M6×20	12 400	12 300	153	71.8 480	71.8 480
								18 100	21 100	262	195 1 090	195 1 090
								22 200	28 200	349	336 1 740	336 1 740

Note⁽¹⁾: Track rail lengths L are shown in Table 11 on page A-27.
 (2): Track rail mounting bolts are not appended. Hexagon socket bolts of JIS B 1176 strength division 12.9 or equivalent are recommended. Values in parentheses are applicable to the track rail of supplemental code "/M4" of special specification.
 (3): The directions of basic dynamic load rating (C), basic static load rating (C₀) and static moment rating (T₀, T_x and T_y) are shown in the sketches below. The upper values in the T_x and T_y column apply to one slide unit, and the lower values apply to two units in close contact.
 Remark 1: The mark ☆ indicates that it is also applicable to interchangeable specification.
 2: Values in parentheses are applicable to the supplemental code "/M4" of special specification.
 3: For the shape of grease nipple, please see page 97.



Example of identification number for assembled set (For details, see "Identification number and specification".)

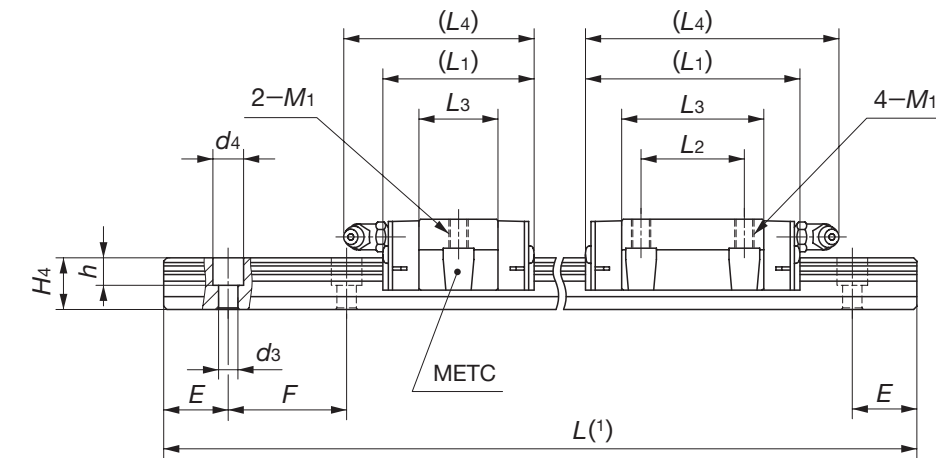
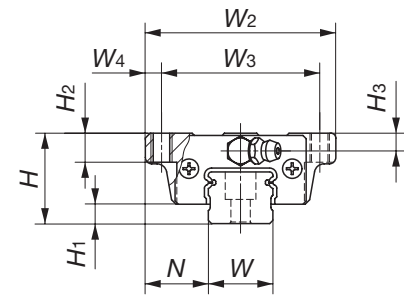


※ In case ordering track rail only, model code is changed as shown below.
 Track rail of interchangeable ME → Model code LWE (Ex:LWE20R280PS2)

IKO C-Sleeve Linear Way ME



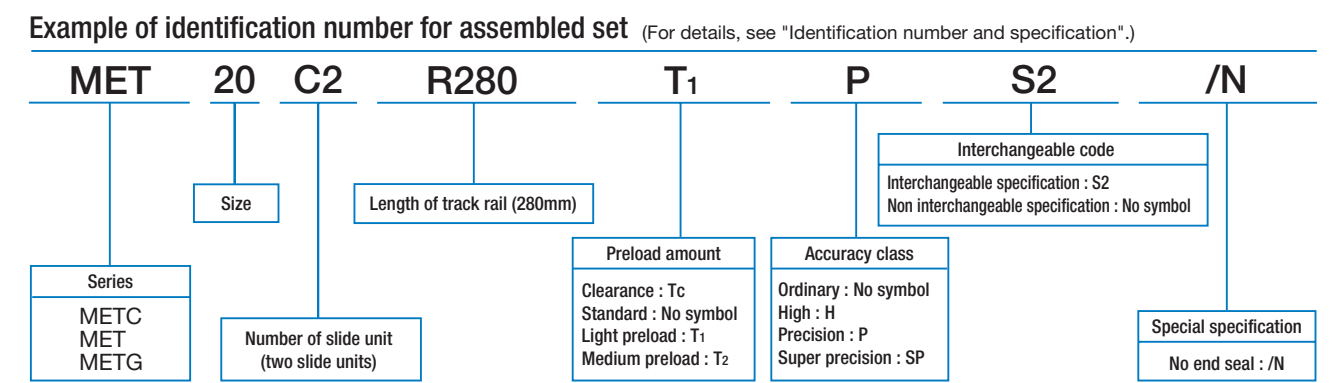
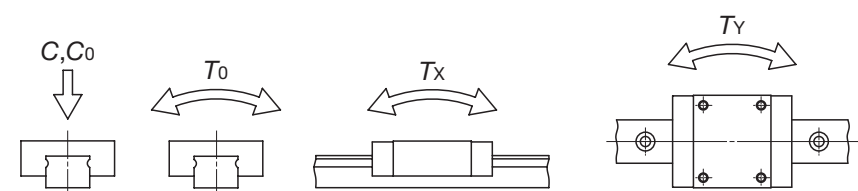
Flange type, mounting from top
METC
MET
METG



Model number	Interchangeable	Mass (Reference)		Dimension of assembly mm			Dimension of slide unit mm									
		Slide unit kg	Track rail kg/m	H	H ₁	N	W ₂	W ₃	W ₄	L ₁	L ₂	L ₃	L ₄	M ₁	H ₂	H ₃
METC 15	☆	0.11	1.57	24	5.8	18.5	52	41	5.5	41	—	22.4	45	M 5	7	4.5
MET 15	☆	0.18								57	26	38.4	61			
METG 15	☆	0.24								70	36	51.1	74			
METC 20	☆	0.18	2.28	28	6	19.5	59	49	5	47	—	24.7	59	M 6	9	5.5
MET 20	☆	0.30								66.5	32	44.2	79			
METG 20	☆	0.39								82	45	60.1	95			
METC 25	☆	0.33	3.09	33	7	25	73	60	6.5	59	—	32	71	M 8	10	6.5
MET 25	☆	0.54								83	35	56	95			
METG 25	☆	0.72								102	50	75	114			

Dimension of track rail mm							Recommended mounting bolt for track rail ⁽²⁾ mm Bolt size x length	Basic dynamic load rating ⁽³⁾ C N	Basic static load rating ⁽³⁾ C ₀ N	Static moment rating ⁽³⁾		
W	H ₄	d ₃	d ₄	h	E	F				T ₀ N·m	T _X N·m	T _Y N·m
15	14.5	3.6 (4.5)	6.5 (8)	4.5 (6)	20	60	M3×16 (M4×16)	5 240	5 480	43.8	21.3 149	21.3 149
								7 640	9 390	75.1	57.6 333	57.6 333
								9 340	12 500	100	99.5 533	99.5 533
20	16	6	9.5	8.5	20	60	M5×16	7 580	7 340	78.9	31.5 235	31.5 235
								11 600	13 400	145	95.6 561	95.6 561
								14 400	18 300	197	172 918	172 918
23	19	7	11	9	20	60	M6×20	12 400	12 300	153	71.8 480	71.8 480
								18 100	21 100	262	195 1 090	195 1 090
								22 200	28 200	349	336 1 740	336 1 740

Note⁽¹⁾: Track rail lengths L are shown in Table 11 on page A-27.
 (2): Track rail mounting bolts are not appended. Hexagon socket bolts of JIS B 1176 strength division 12.9 or equivalent are recommended. Values in parentheses are applicable to the track rail of supplemental code "/M4" of special specification.
 (3): The directions of basic dynamic load rating (C), basic static load rating (C₀) and static moment rating (T₀, T_X and T_Y) are shown in the sketches below. The upper values in the T_X and T_Y column apply to one slide unit, and the lower values apply to two units in close contact.
 Remark 1: The mark ☆ indicates that it is also applicable to interchangeable specification.
 2: Values in parentheses are applicable to the supplemental code "/M4" of special specification.
 3: For the shape of grease nipple, please see page 97.

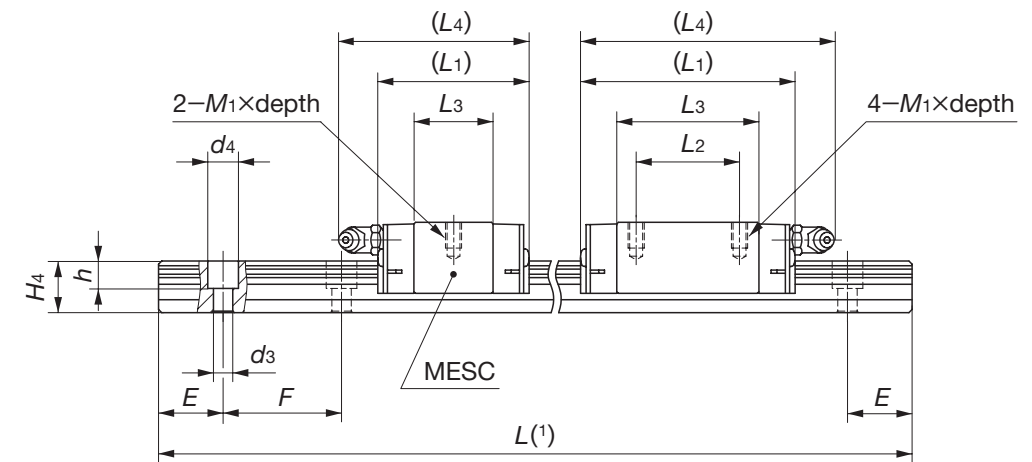
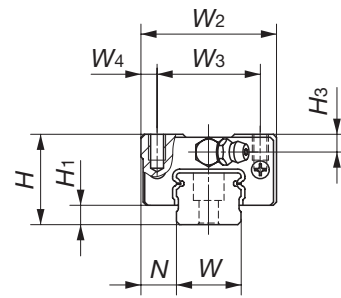


※ In case ordering track rail only, model code is changed as shown below.
 Track rail of interchangeable MET → Model code LWE (Ex:LWE20R280PS2)

IKO C-Sleeve Linear Way ME

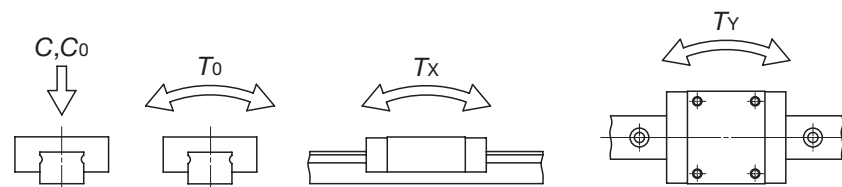


Block type, mounting from top
MESC
MES
MESG



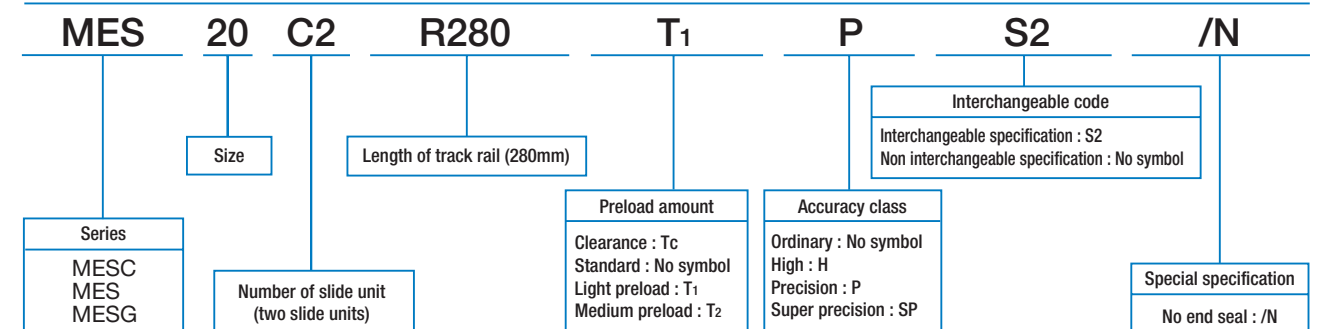
Model number	Interchangeable	Mass (Reference)		Dimension of assembly mm			Dimensions of slide unit mm							
		Slide unit kg	Track rail kg/m	H	H ₁	N	W ₂	W ₃	W ₄	L ₁	L ₂	L ₃	L ₄	M1×depth
MESC 15	☆	0.09	1.57	24	5.8	9.5	34	26	4	41	—	22.4	45	M4×7
MES 15	☆	0.14								57	26	38.4	61	
MESG 15	☆	0.18								70	36	51.1	74	
MESC 20	☆	0.15	2.28	28	6	11	42	32	5	47	—	24.7	59	M5×8
MES 20	☆	0.25								66.5	32	44.2	79	
MESG 20	☆	0.32								82	45	60.1	95	
MESC 25	☆	0.26	3.09	33	7	12.5	48	35	6.5	59	—	32	71	M6×9
MES 25	☆	0.41								83	35	56	95	
MESG 25	☆	0.54								102	50	75	114	

Note(1) : Track rail lengths L are shown in Table 11 on page A-27.
 (2) : Track rail mounting bolts are not appended. Hexagon socket bolts of JIS B 1176 strength division 12.9 or equivalent are recommended. Values in parentheses are applicable to the track rail of supplemental code "/M4" of special specification.
 (3) : The directions of basic dynamic load rating (C), basic static load rating (C₀) and static moment rating (T₀, T_x and T_y) are shown in the sketches below. The upper values in the T_x and T_y column apply to one slide unit, and the lower values apply to two units in close contact.
 Remark 1 : The mark ☆ indicates that it is also applicable to interchangeable specification.
 2 : Values in parentheses are applicable to the supplemental code "/M4" of special specification.
 3 : For the shape of grease nipple, please see page 97.



H ₃	Dimensions of track rail mm							Recommended mounting bolt for track rail ⁽²⁾ mm Bolt size x length	Basic dynamic load rating ⁽³⁾ C N	Basic static load rating ⁽³⁾ C ₀ N	Static moment rating ⁽³⁾		
	W	H ₄	d ₃	d ₄	h	E	F				T ₀ N·m	T _x N·m	T _y N·m
4.5	15	14.5	3.6 (4.5)	6.5 (8)	4.5 (6)	20	60	M3×16 (M4×16)	5 240	5 480	43.8	21.3 149	21.3 149
									7 640	9 390	75.1	57.6 333	57.6 333
									9 340	12 500	100	99.5 533	99.5 533
5.5	20	16	6	9.5	8.5	20	60	M5×16	7 580	7 340	78.9	31.5 235	31.5 235
									11 600	13 400	145	95.6 561	95.6 561
									14 400	18 300	197	172 918	172 918
6.5	23	19	7	11	9	20	60	M6×20	12 400	12 300	153	71.8 480	71.8 480
									18 100	21 100	262	195 1 090	195 1 090
									22 200	28 200	349	336 1 740	336 1 740

Example of identification number for assembled set (For details, see "Identification number and specification".)



※ In case ordering track rail only, model code is changed as shown below.
 Track rail of interchangeable MES → Model code LWE (Ex:LWE20R280PS2)

Maintenance Free & Interchangeable

U.S. PATENTED

C-Sleeve Linear Way MH

MH/MHT/MHD/MHS

IKC-Sleeve Linear Way MH features the largest load ratings and rigidity among all ball types and incorporating the C-Sleeve as a components part for lubrication in the slide unit to achieve maintenance free operations for a long period of time.

Long-term maintenance free

The lubricant in the C-Sleeve keeps the lubrication performance for a long period of time and achieves long-term maintenance free operations. (5 years and 20,000km) So man-hours for troublesome lubrication control can be reduced.

Interchangeability

Interchangeable specification is also available. The track rails and the slide units of interchangeable specification can be handled separately and can be assembled to make a set as required. Two types of slide units with different lengths are prepared. The best type and size can be selected these entire slide units can be freely assembled on the same track rail.

Light weight and compact

The C-Sleeve is incorporated in the slide unit of High Rigidity type Linear Way H series without changing the external dimensions of the slide unit.

Smooth and light motion

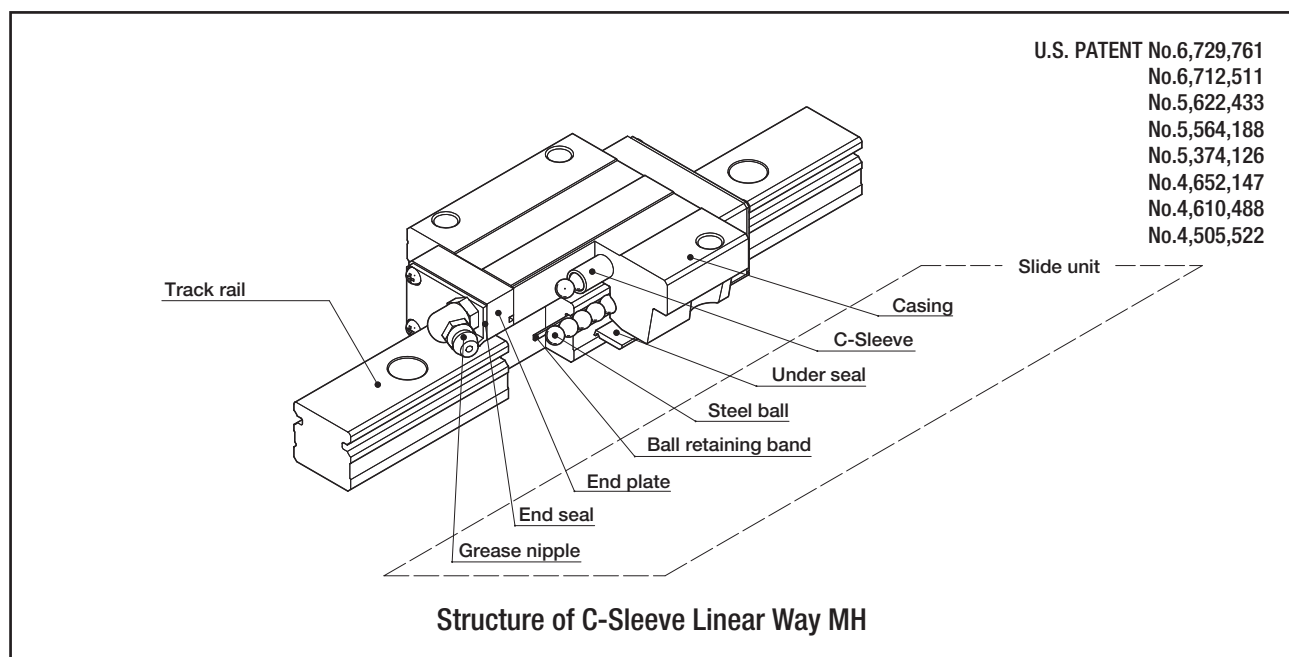
As the C-Sleeve is not in contact with the track rail, frictional resistance does not increase. A smooth and light motion is ensured.

Flange type and block type

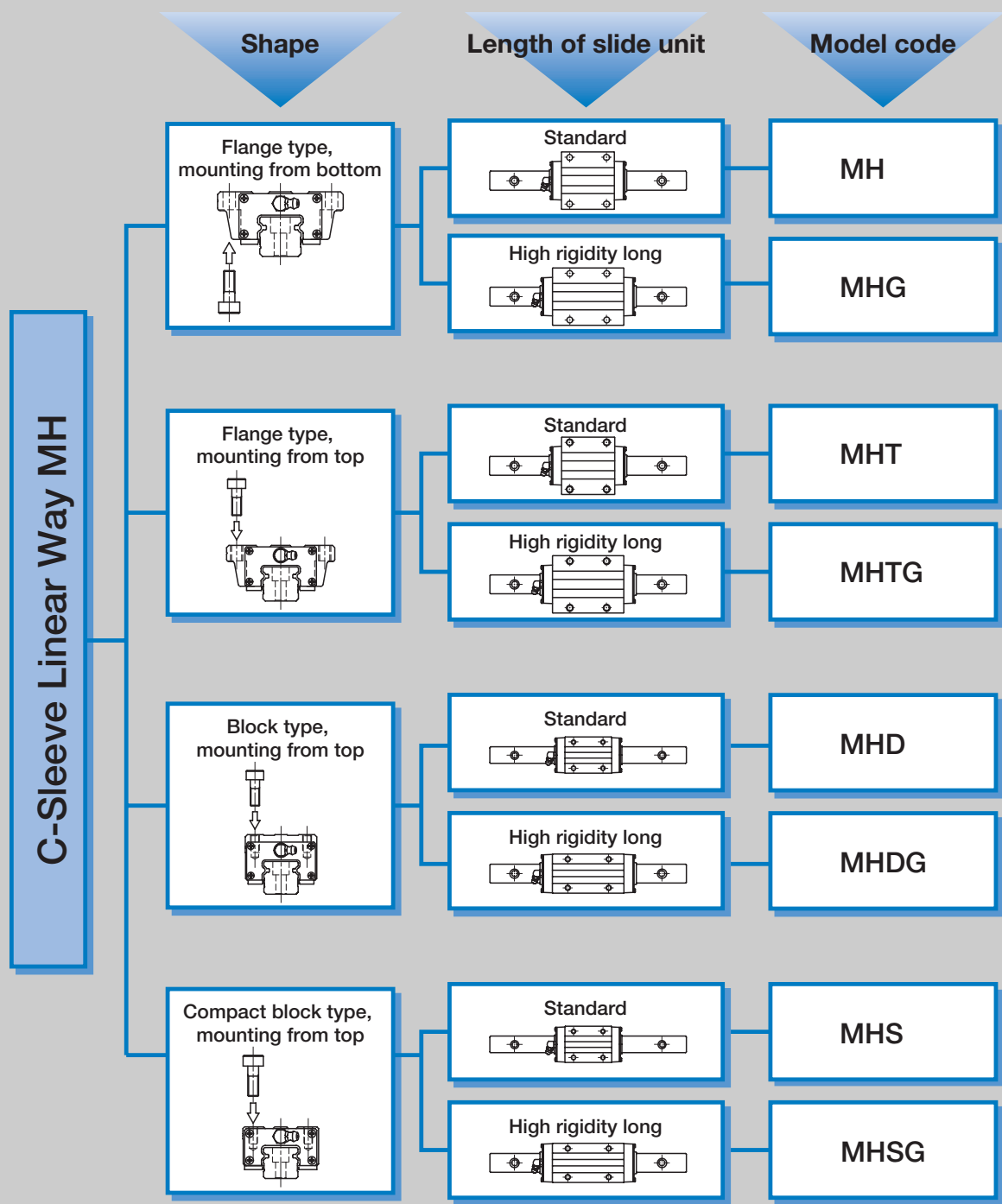
Four kinds of slide units are available; two flange types for different mounting directions and two kinds of narrow block type with different height and mounting dimensions.

Length of slide unit

A standard type slide unit and a high rigidity long type slide unit both having the same sectional dimensions are available.



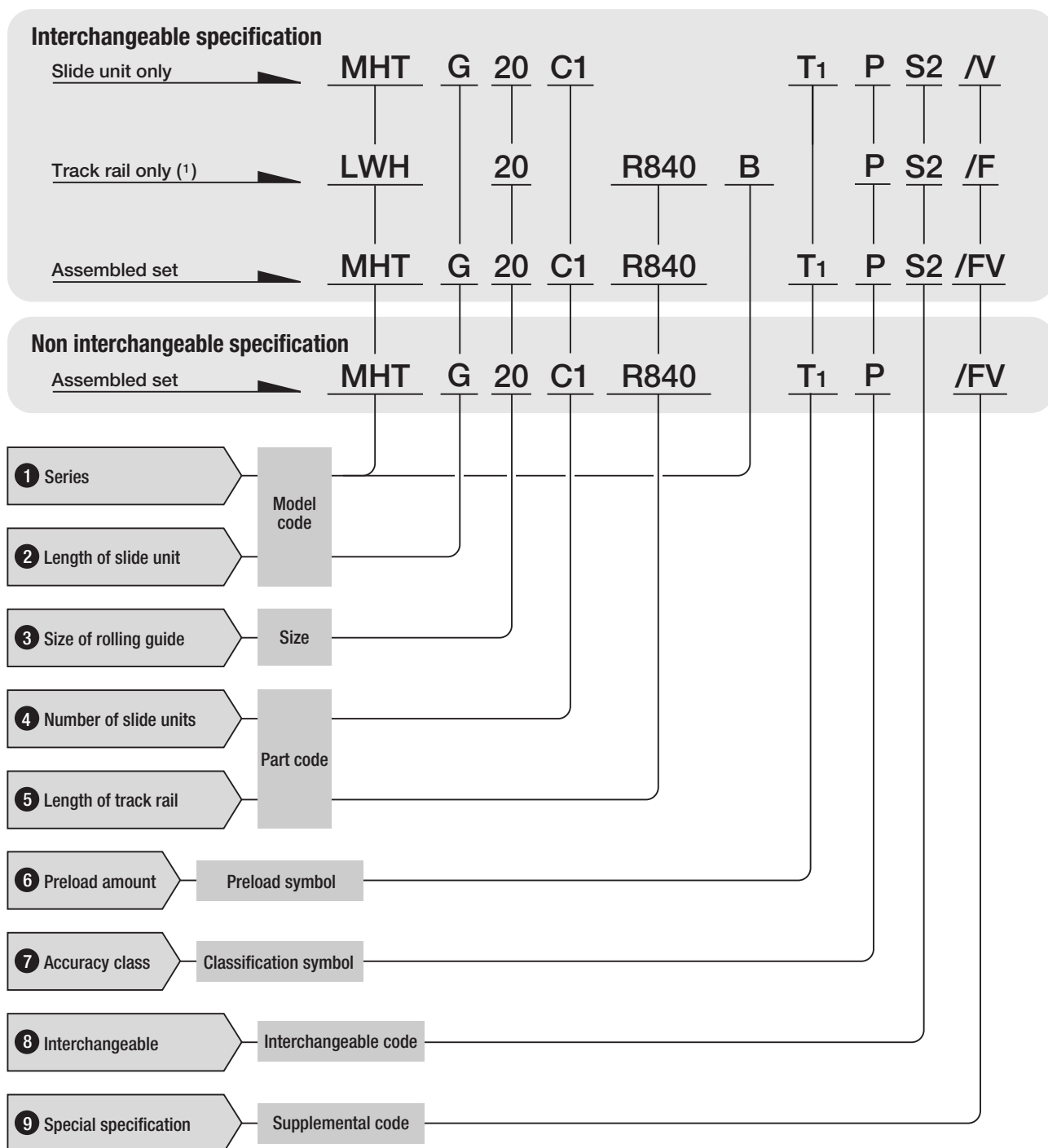
Variation of IKO C-Sleeve Linear Way MH



1N=0.102kgf=0.2248lbs.
1mm=0.03937inch

● Identification number and specification

The specification of C-Sleeve Linear Way MH is indicated by the identification number, consisting of a model code, a size, a part code, a preload symbol, a classification symbol and any supplemental codes. For details of each specification, see page 76.



Note(1) : In case ordering track rail only, model code should be changed as shown below.
 Track rail of interchangeable MH → Model code LWH (Ex: LWH15R900BPS2)

1 Series

Flange type, mounting from bottom : **MH**
 Flange type, mounting from top : **MHT**
 Block type, mounting from top : **MHD**
 Compact block type, mounting from top : **MHS**

2 Length of slide unit

Standard : No symbol
 High rigidity long : **G**

Applicable size and shape of slide unit are shown in Table 1.1 to 1.4.

3 Size

Type and size of standard type C-Sleeve Linear Way MH
 Table 1.1 Flange type, mounting from bottom

Size \ Type	Carbon steel	
	Standard MH	High rigidity long MHG
15	☆	—
20	☆	☆
25	☆	☆

Table 1.2 Flange type, mounting from top

Size \ Type	Carbon steel	
	Standard MHT	High rigidity long MHTG
15	☆	—
20	☆	☆
25	☆	☆

Table 1.3 Block type, mounting from top

Size \ Type	Carbon steel	
	Standard MHD	High rigidity long MHDG
15	☆	—
25	☆	☆

Table 1.4 Compact block type, mounting from top

Size \ Type	Carbon steel	
	Standard MHS	High rigidity long MHSG
15	☆	—
20	☆	☆
25	☆	☆

Remark : The mark ☆ indicates that it is also applicable to interchangeable specification.

1N=0.102kgf=0.2248lbs.
 1mm=0.03937inch

4 Number of slide unit

Assembled set : **C**○
 Slide unit only : **C1**

For an assembled set, indicate the number of slide units assembled on one track rail. For an interchangeable slid unit only, "C1" can be indicated.

5 Length of track rail

Assembled set : **R**○
 Track rail only : **R**○

Indicate the length of track rail in mm. For standard and maximum lengths, see "Track rail length" on page A-43.

6 Preload amount

Standard : No symbol
 Light preload : **T**₁
 Medium preload : **T**₂
 Heavy preload : **T**₃

Specify this items for an assembled set or an interchangeable single slide unit. Applicable preload and size are shown in Table 2. For detail of preload amount, see page 84.

Table 2 Preload of C-Sleeve Linear Way MH

Size	Preload class and symbol			
	Standard (No symbol)	Light preload (T ₁)	Medium preload (T ₂)	Heavy preload (T ₃)
15	☆	☆	○	○
20	☆	☆	○	○
25	☆	☆	○	○

Remark : The mark ☆ indicates that it is also applicable to interchangeable specification.

7 Accuracy class

High class : **H**
 Precision class : **P**
 Super precision : **SP**

In interchangeable specification, please combine same accuracy codes on both slide unit and track rail. For combination of accuracy and preload, see Table 3. Detail of accuracy is shown in page 79.

Table 3 Accuracy class and size

Size	Accuracy class		
	High class (H)	Precision class (P)	Super precision (SP)
15	☆	☆	○
20	☆	☆	○
25	☆	☆	○

Remark : The mark ☆ indicates that it is also applicable to interchangeable specification.

8 Inetrchangeable

Select group 1 : **S1**
 Select group 2 : **S2**

Specify this item for the interchangeable specification products. Assemble track rails and slide units with the same interchangeable code. Performance and accuracy of "S1" group and "S2" group are the same.

9 Special specifications

Applicable special specifications are shown in Table 4. When a combination of several special specifications is required, please refer Table 5 and arrange their supplemental codes in alphabetical order. For detail of specifications are shown on page 86.

Table 4 Applicable specifications

Specifications	Supplemental code	Set product	Track rail only	Slide unit only	Dimension
Butt jointing track rail	A	○	—	—	
Opposite reference surfaces arrangement	D	☆	—	—	
Specified rail mounting hole positions	E	☆	☆	—	
Caps for rail mounting holes	F	☆	☆	—	
Appending inspection sheet	I	○	—	—	
Female threads for bellows	J	☆	☆	☆	See table 6.1, 6.2 and 6.3
Black chrome surface treatment	L	☆	—	—	
Fluoric black chrome surface treatment	LF	☆	—	—	
With track rail mounting bolts (Applicable to set order)	MA	☆	—	—	See table 7
Without track rail mounting bolts (Applicable to track rail order)	MN	—	☆	—	
No rubber end seals	N	☆	—	☆	
Rail cover plate for track rail (1)	PS	○ ⁽¹⁾	—	—	
Butt jointing interchangeable track rail	T	☆ ⁽²⁾	☆	—	
Double end seals	V	☆	—	☆	See table 8
Matched sets to be used as an assembled group	W	○	—	—	
Scrapers	Z	☆	—	☆	See table 9

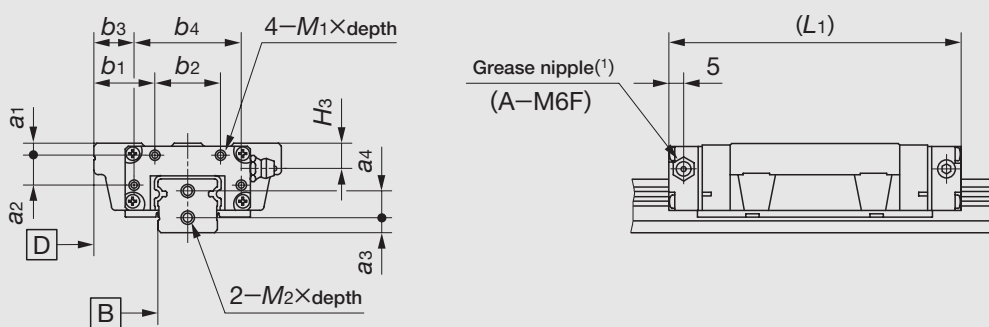
Note(1) : Applicable to size 25 only.
 (2) : Not applicable to non interchangeable specification
 Remark : The mark ☆ indicates that it is also applicable to interchangeable specification.

Table 5 Combination of special specifications

D	○																			
E	—	—																		
F	○	☆	☆																	
I	○	○	○	○																
J	○	☆	☆	☆	○															
L	○	☆	☆	☆	○	☆														
LF	○	☆	☆	☆	○	☆	—													
MA	○	☆	☆	☆	○	☆	☆	☆												
MN	—	—	☆	☆	—	☆	—	—	—											
N	○	☆	☆	—	○	—	☆	☆	☆	—										
PS	—	○	○	—	○	—	—	—	○	—	—									
T	—	☆	☆	☆	—	—	☆	☆	☆	☆	☆	—								
V	○	☆	☆	☆	○	★	☆	☆	☆	—	—	○	☆							
W	○	○	—	○	○	○	○	○	○	○	—	○	○	—	○					
Z	○	☆	☆	☆	○	★	☆	☆	☆	—	—	—	☆	★	○					
	A	D	E	F	I	J	L	LF	MA	MN	N	PS	T	V	W					

Remark 1 : In the table, the mark ○ indicates that this combination can be made.
 2 : The mark ☆ indicates that the combination is available for also interchangeable specification.
 3 : When the specification with ★ is required, please consult **IKO**.
 4 : When a combination of several specifications is required, arrange their supplemental codes in alphabetical order.

Table 6.1 Female threads for bellows for flange type MH (Supplemental code /JJ)



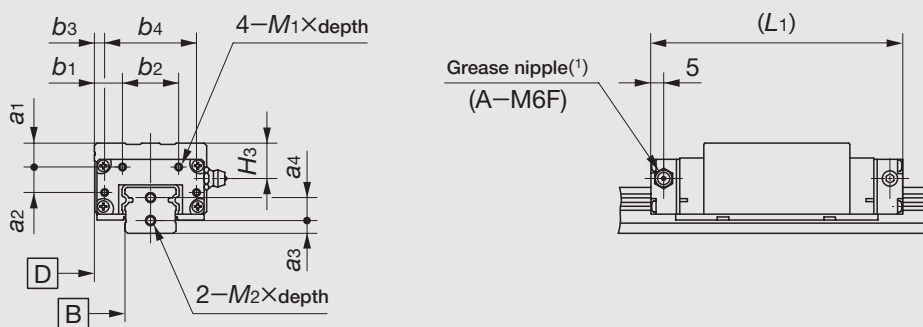
unit : mm

Model number	Slide unit									Track rail		
	a_1	a_2	b_1	b_2	b_3	b_4	$M_1 \times \text{depth}$	$L_1^{(2)}$	H_3	a_3	a_4	$M_2 \times \text{depth}$
MH (T) 15	3	7	15.5	16	9.5	28	M3×6	83	6.5	4	8	M3×6
MH (T) 20	4	10	20.5	22	13.5	36	M3×6	99	8.5	5	9	M4×8
MH (T) G 20								128				
MH (T) 25	4	13	22	26	15	40	M3×6	110	8.5	5	12	M4×8
MH (T) G 25								133				

Note(1) : The specification and mounting positions of grease nipple are different from those of the standard specification product. Size 15 models are provided with a special specification grease nipple (NPB2 type). For detail of dimensions, consult **IKO** for further information.

(2) : The values are for the slide unit with female threads for bellows at both ends.

Table 6.2 Female threads for bellows for block type MHD (Supplemental code /JJ)



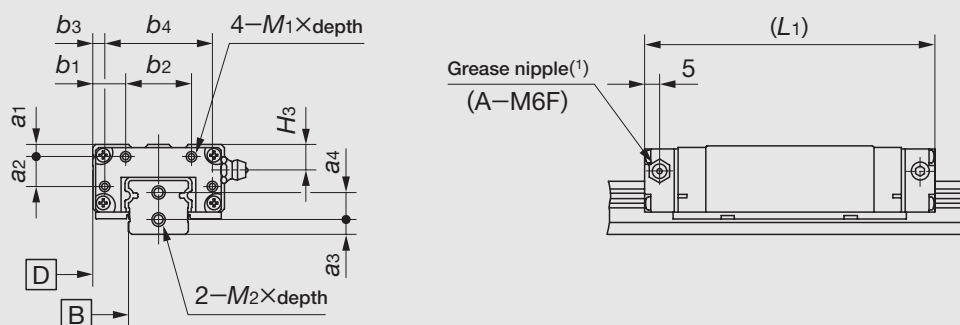
unit : mm

Model number	Slide unit									Track rail		
	a_1	a_2	b_1	b_2	b_3	b_4	$M_1 \times \text{depth}$	$L_1^{(2)}$	H_3	a_3	a_4	$M_2 \times \text{depth}$
MHD 15	7	7	9	16	3	28	M3×6	83	10.5	4	8	M3×6
MHD 25	8	13	11	26	4	40	M3×6	110	12.5	5	12	M4×8
MHDG 25								133				

Note(1) : The specification and mounting positions of grease nipple are different from those of the standard specification product. Size 15 models are provided with a special specification grease nipple (NPB2 type). For detail of dimensions, consult **IKO** for further information.

(2) : The values are for the slide unit with female threads for bellows at both ends.

Table 6.3 Female threads for bellows for compact block type MHS (Supplemental code /JJ)



unit : mm

Model number	Slide unit									Track rail		
	a1	a2	b1	b2	b3	b4	M1×depth	L1 ⁽²⁾	H3	a3	a4	M2×depth
MHS 15	3	7	9	16	3	28	M3×6	83	6.5	4	8	M3×6
MHS 20	4	10	11	22	4	36	M3×6	99	8.5	5	9	M4×8
MHSG 20								128				
MHS 25	4	13	11	26	4	40	M3×6	110	8.5	5	12	M4×8
MHSG 25								133				

Note⁽¹⁾ : The specification and mounting positions of grease nipple are different from those of the standard specification product. Size 15 models are provided with a special specification grease nipple (NPB2 type). For detail of dimensions, consult **IJKO** for further information.

⁽²⁾ : The values are for the slide unit with female threads for bellows at both ends.

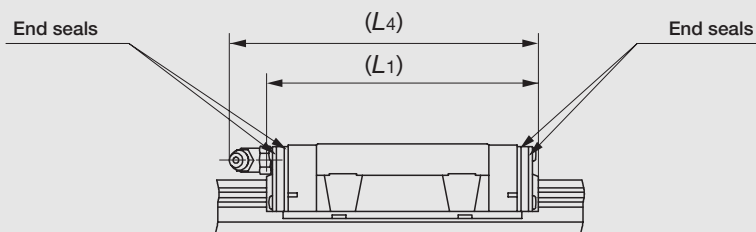
Table 7 Appended bolts size for mounting track rail of MH (Supplemental code /MA)

Model number	Bolt size
MH 15	M4×16
MH 20	M5×18
MH 25	M6×22

Remark 1 : The table shows representative model numbers but is applicable to all models of the same size.

2 : Hexagon socket bolts of JIS B 1176 strength division 12.9 are appended.

Table 8 Slide unit with double end seals (Supplemental code /VV)

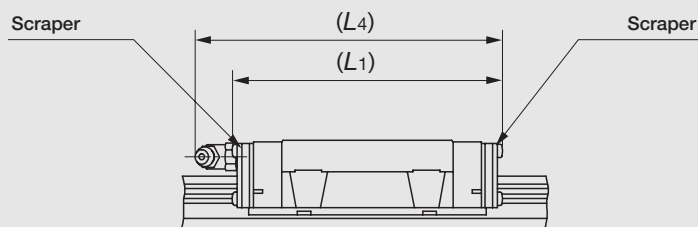


unit : mm

Model number	L_1	L_4
MH 15	72	77
MH 20	91	104
MHG 20	119	133
MH 25	104	116
MHG 25	127	139

Remark 1 : The table shows representative model numbers but is applicable to all models of the same size.
 2 : The total lengths of slide unit with double end seals at both ends are shown.

Table 9 Slide unit with scrapers (Supplemental code /ZZ)



unit : mm

Model number	L_1	L_4
MH 15	73	75
MH 20	91	104
MHG 20	119	133
MH 25	104	116
MHG 25	126	139

Remark 1 : The table shows representative model numbers but is applicable to all models of the same size.
 2 : The total lengths of slide unit with scrapers at both ends are shown.

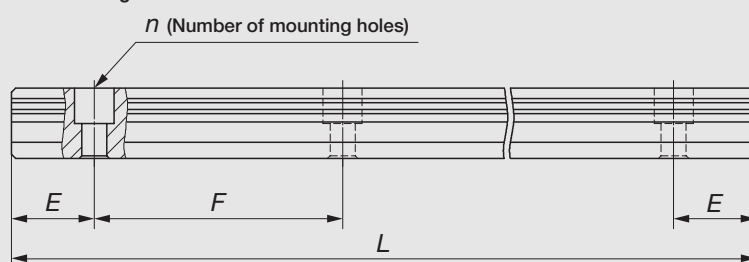
● Track rail length

Standard and maximum lengths of track rail are shown in Table 10.

Track rail in any lengths are also available. Simply indicate the necessary length of track rail in millimeter (mm) in the identification number.

- In non-interchangeable specification, for track rail longer than the maximum length shown in Table 10, butt-jointing track rails are available upon request. In this case, indicate supplemental code "/A" in the identification number.
- *E* dimensions at both ends are the same unless otherwise specified. To change these dimensions, specify the specified rail mounting hole positions (supplemental code "/E") of special specification. For detail, see page 89.

Table 10 Standard and maximum lengths of MH



unit : mm

Item	Model number	MH 15	MH 20	MH 25
Standard length <i>L</i> (<i>n</i>)		180(3)	240(4)	240(4)
		240(4)	480(8)	480(8)
		360(6)	660(11)	660(11)
		480(8)	840(14)	840(14)
		660(11)	1 020(17)	1 020(17)
		900(15)	1 200(20)	1 200(20)
		1 200(20)	1 500(25)	1 500(25)
Mounting hole pitch <i>F</i>		60	60	60
<i>E</i>		30	30	30
Reference dimension <i>E</i> ⁽¹⁾	Over (Incl.)	7	8	9
	Under	37	38	39
Maximum length ⁽²⁾		1 500 (3 000)	1 980 (3 000)	3 000 (3 960)

Note ⁽¹⁾ : Not applied to optional specification "female threads for bellows" (supplemental code "/J", "/JJ")

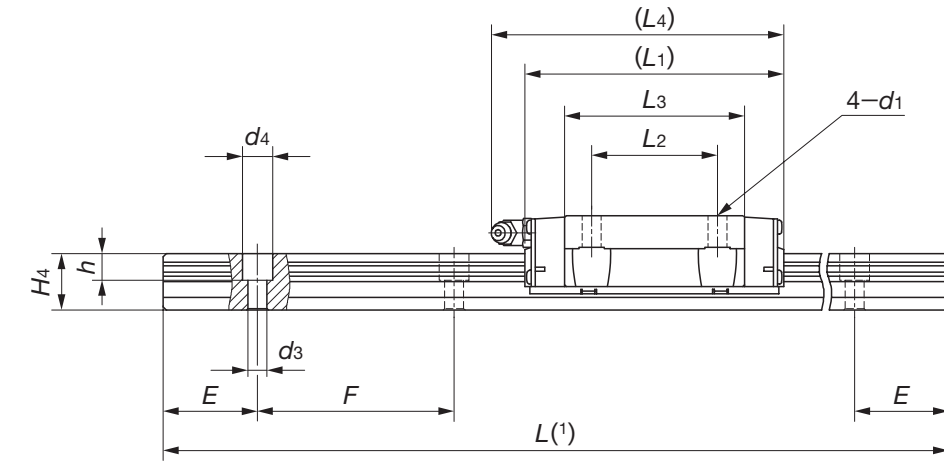
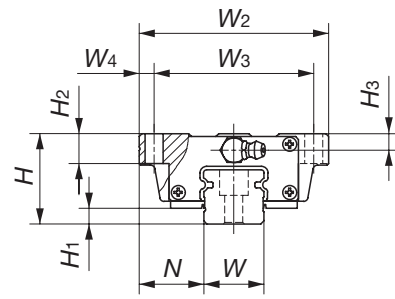
⁽²⁾ : The track rails can be manufactured up to the maximum length shown in parentheses. If required, please consult **IKO**.

Remark : The above table shows representative model number but is applicable to all models of the same size.

IKO C-Sleeve Linear Way MH



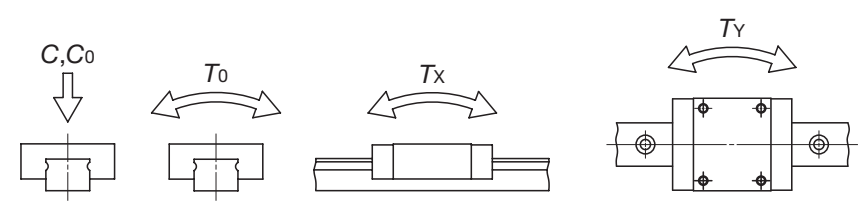
Flanged shape, mounting from bottom
MH
MHG



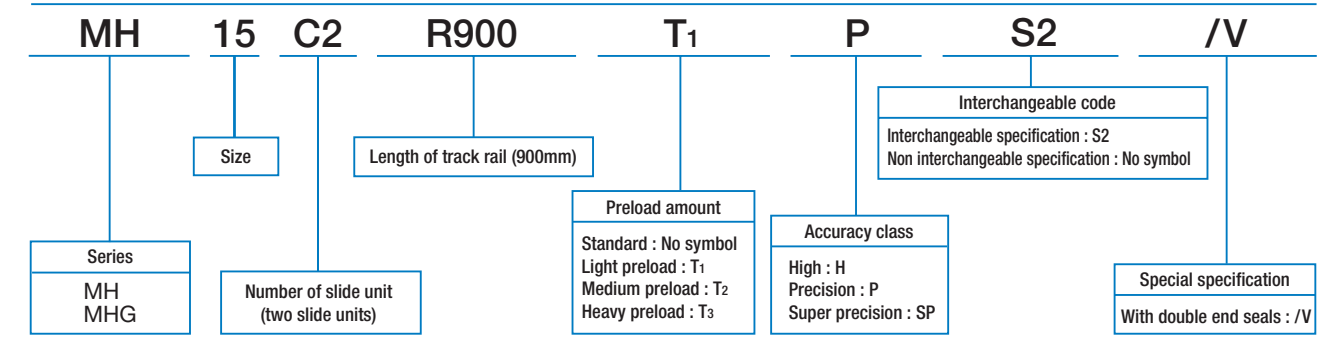
Model number	Interchangeable	Mass (Reference)		Dimension of assembly mm			Dimension of slide unit mm							
		Slide unit kg	Track rail kg/m	H	H ₁	N	W ₂	W ₃	W ₄	L ₁	L ₂	L ₃	L ₄	d ₁
MH 15	☆	0.22	1.47	24	4.5	16	47	38	4.5	66	30	44.2	69	4.5
MH 20	☆	0.47	2.56	30	5	21.5	63	53	5	83	40	56	95	6
MHG 20	☆	0.69								112		84.8	124	
MH 25	☆	0.69	3.50	36	6.5	23.5	70	57	6.5	95	45	63.9	106	7
MHG 25	☆	0.91								118		86.6	129	

H ₂	H ₃	Dimension of track rail mm								Recommended mounting bolt for track rail ⁽²⁾ mm Bolt size x length	Basic dynamic load rating ⁽³⁾ C N	Basic static load rating ⁽³⁾ C ₀ N	Static moment rating ⁽³⁾		
		W	H ₄	d ₃	d ₄	h	E	F	T ₀ N·m				T _X N·m	T _Y N·m	
7	4.5	15	15	4.5	8	6	30	60	M4×16	11 600	13 400	112	95.6 556	95.6 556	
10	5.5	20	18	6	9.5	8.5	30	60	M5×18	18 100	21 100	232	195 1 090	195 1 090	
										24 100	31 700	349	421 2 140	421 2 140	
10	6.5	23	22	7	11	9	30	60	M6×22	25 200	28 800	362	309 1 690	309 1 690	
										30 800	38 300	483	533 2 740	533 2 740	

Note⁽¹⁾: Track rail lengths L are shown in Table 10 on page A-43.
 Note⁽²⁾: Track rail mounting bolts are not appended. Hexagon socket bolts of JIS B 1176 strength division 12.9 or equivalent are recommended.
 Note⁽³⁾: The directions of basic dynamic load rating (C), basic static load rating (C₀) and static moment rating (T₀, T_X and T_Y) are shown in the sketches below. The upper values in the T_X and T_Y column apply to one slide unit, and the lower values apply to two units in close contact.
 Remark 1: The mark ☆ indicates that the combination is available for also interchangeable specification.
 2: For the shape of grease nipple, please see page 97.



Example of identification number for assembled set (For details, see "Identification number and specification".)



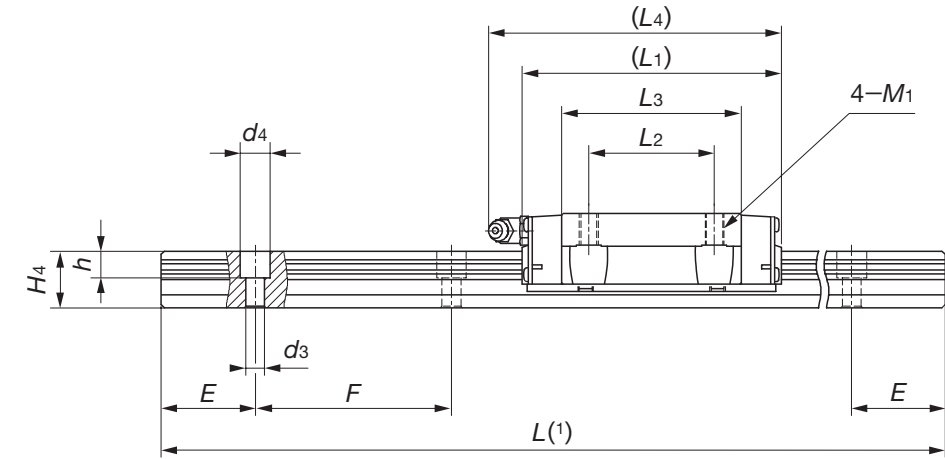
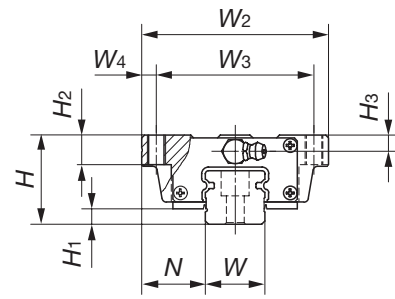
※ In case ordering track rail only, model code is changed as shown below.
 Track rail of interchangeable MH → Model code LWH (Ex: LWH15R900BPS2)

A
 MH, MHT, MHD, MHS

IKO C-Sleeve Linear Way MH

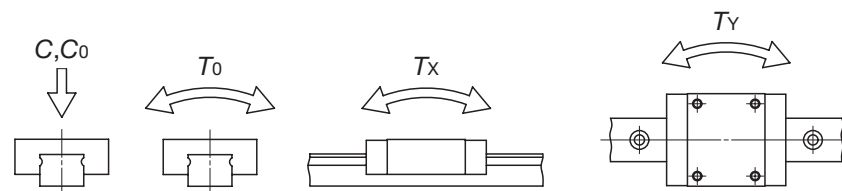


Flange type, mounting from top
MHT
MHTG



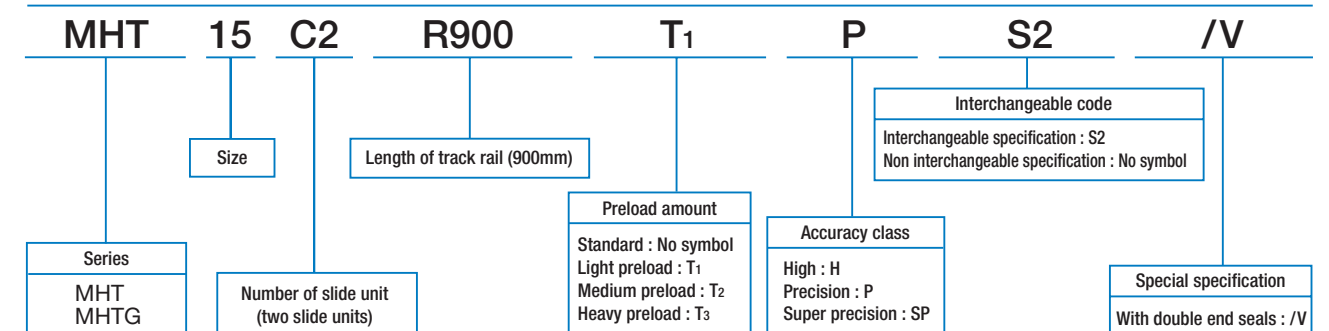
Model number	Interchangeable	Mass (Reference)		Dimension of assembly mm			Dimension of slide unit mm							
		Slide unit kg	Track rail kg/m	H	H ₁	N	W ₂	W ₃	W ₄	L ₁	L ₂	L ₃	L ₄	M ₁
MHT 15	☆	0.22	1.47	24	4.5	16	47	38	4.5	66	30	44.2	69	M5
MHT 20	☆	0.47	2.56	30	5	21.5	63	53	5	83	40	56	95	M6
MHTG 20	☆	0.69								112		84.8	124	
MHT 25	☆	0.69	3.50	36	6.5	23.5	70	57	6.5	95	45	63.9	106	M8
MHTG 25	☆	0.91								118		86.6	129	

Note(1) : Track rail lengths L are shown in Table 10 on page A-43.
 (2) : Track rail mounting bolts are not appended. Hexagon socket bolts of JIS B 1176 strength division 12.9 or equivalent are recommended.
 (3) : The directions of basic dynamic load rating (C), basic static load rating (C₀) and static moment rating (T₀, T_x and T_y) are shown in the sketches below. The upper values in the T_x and T_y column apply to one slide unit, and the lower values apply to two units in close contact.
 Remark 1 : The mark ☆ indicates that the combination is available for also interchangeable specification.
 2 : For the shape of grease nipple, please see page 97.



H ₂	H ₃	Dimension of track rail mm								Recommended mounting bolt for track rail ⁽²⁾ mm Bolt size x length	Basic dynamic load rating ⁽³⁾ C N	Basic static load rating ⁽³⁾ C ₀ N	Static moment rating ⁽³⁾		
		W	H ₄	d ₃	d ₄	h	E	F	T ₀ N·m				T _x N·m	T _y N·m	
7	4.5	15	15	4.5	8	6	30	60	M4×16	11 600	13 400	112	95.6 556	95.6 556	
10	5.5	20	18	6	9.5	8.5	30	60	M5×18	18 100	21 100	232	195 1 090	195 1 090	
										24 100	31 700	349	421 2 140	421 2 140	
10	6.5	23	22	7	11	9	30	60	M6×22	25 200	28 800	362	309 1 690	309 1 690	
										30 800	38 300	483	533 2 740	533 2 740	

Example of identification number for assembled set (For details, see "Identification number and specification".)

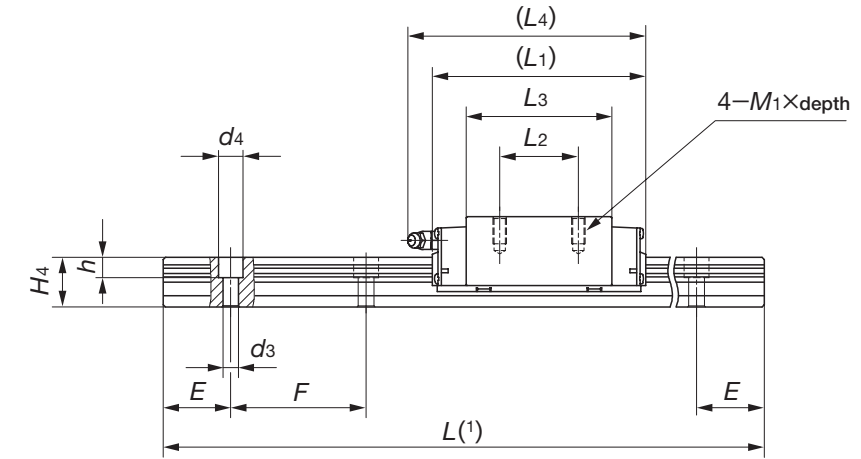
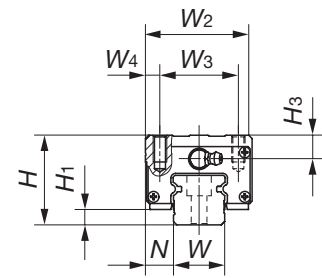


※ In case ordering track rail only, model code is changed as shown below.
 Track rail of interchangeable MHT → Model code LWH (Ex: LWH15R900BPS2)

IKO C-Sleeve Linear Way MH

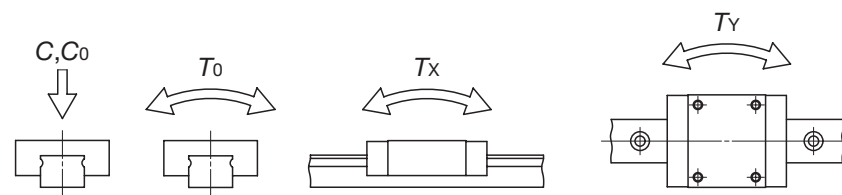


Block type, mounting from top
MHD
MHDG



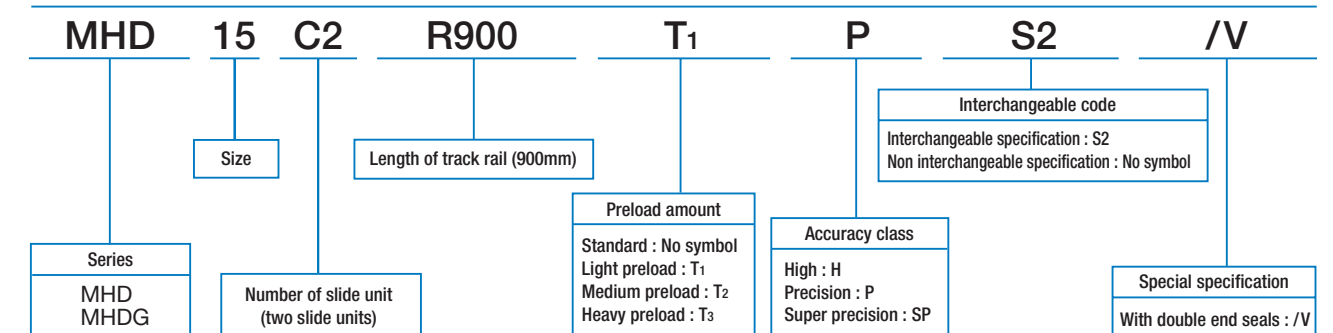
Model number	Interchangeable	Mass (Reference)		Dimension of assembly mm			Dimension of slide unit mm							
		Slide unit kg	Track rail kg/m	H	H ₁	N	W ₂	W ₃	W ₄	L ₁	L ₂	L ₃	L ₄	M ₁ ×depth
MHD 15	☆	0.23	1.47	28	4.5	9.5	34	26	4	66	26	44.2	69	M4×10
MHD 25	☆	0.64	3.50	40	6.5	12.5	48	35	6.5	95	35	63.9	106	M6×12
MHDG 25	☆	0.78								118	50	86.6	129	

Note(1) : Track rail lengths L are shown in Table 10 on page A-43.
 (2) : Track rail mounting bolts are not appended. Hexagon socket bolts of JIS B 1176 strength division 12.9 or equivalent are recommended
 (3) : The directions of basic dynamic load rating (C), basic static load rating (C₀) and static moment rating (T₀, T_x and T_y) are shown in the sketches below. The upper values in the T_x and T_y column apply to one slide unit, and the lower values apply to two units in close contact.
 Remark 1 : The mark ☆ indicates that the combination is available for also interchangeable specification.
 2 : For the shape of grease nipple, please see page 97.



H ₃	Dimension of track rail mm								Recommended mounting bolt for track rail ⁽²⁾ mm Bolt size x length	Basic dynamic load rating ⁽³⁾ C N	Basic static load rating ⁽³⁾ C ₀ N	Static moment rating ⁽³⁾		
	W	H ₄	d ₃	d ₄	h	E	F	T ₀ N·m				T _x N·m	T _y N·m	
8.5	15	15	4.5	8	6	30	60	M4×16	11 600	13 400	112	95.6 556	95.6 556	
10.5	23	22	7	11	9	30	60	M6×22	25 200	28 800	362	309 1 690	309 1 690	
									30 800	38 300	483	533 2 740	533 2 740	

Example of identification number for assembled set (For details, see "Identification number and specification".)

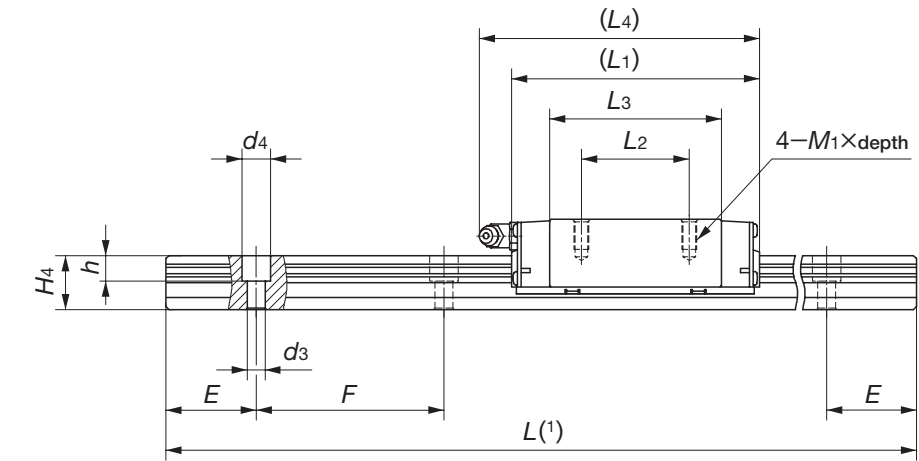
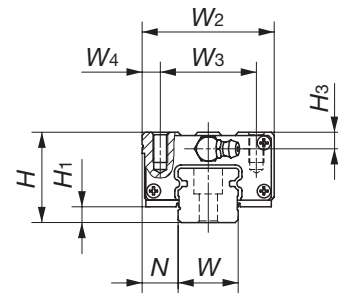


※ In case ordering track rail only, model code is changed as shown below.
 Track rail of interchangeable MHD → Model code LWH (Ex: LWH15R900PPS2)

IKO C-Sleeve Linear Way MH

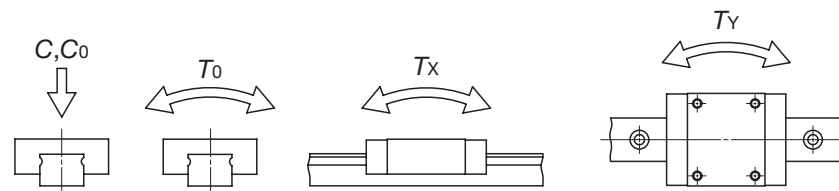


Compact block type, mounting from top
MHS
MHSG



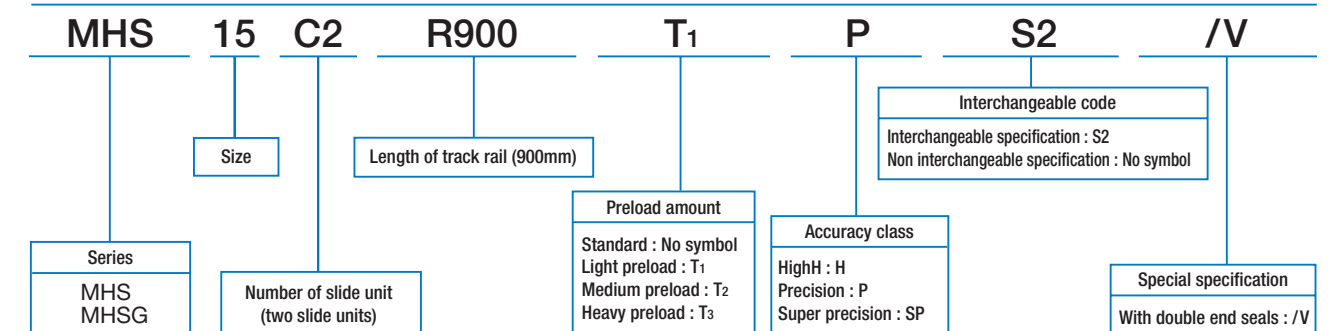
Model number	Interchangeable	Mass (Reference)		Dimension of assembly mm			Dimension of slide unit mm							
		Slide unit kg	Track rail kg/m	H	H ₁	N	W ₂	W ₃	W ₄	L ₁	L ₂	L ₃	L ₄	M1×depth
MHS 15	☆	0.18	1.47	24	4.5	9.5	34	26	4	66	26	44.2	69	M4×8
MHS 20	☆	0.35	2.56	30	5	12	44	32	6	83	36	56	95	M5×10
MHSG 20	☆	0.52								112	50	84.8	124	
MHS 25	☆	0.54	3.50	36	6.5	12.5	48	35	6.5	95	35	63.9	106	M6×12
MHSG 25	☆	0.66								118	50	86.6	129	

Note(1) : Track rail lengths L are shown in Table 10 on page A-43.
 (2) : Track rail mounting bolts are not appended. Hexagon socket bolts of JIS B 1176 strength division 12.9 or equivalent are recommended.
 (3) : The directions of basic dynamic load rating (C), basic static load rating (C₀) and static moment rating (T₀, T_x and T_y) are shown in the sketches below. The upper values in the T_x and T_y column apply to one slide unit, and the lower values apply to two units in close contact.
 Remark 1 : The mark ☆ indicates that the combination is available for also interchangeable specification.
 2 : For the shape of grease nipple, please see page 97.



H ₃	Dimension of track rail mm								Recommended mounting bolt for track rail ⁽²⁾ mm Bolt size x length	Basic dynamic load rating ⁽³⁾ C N	Basic static load rating ⁽³⁾ C ₀ N	Static moment rating ⁽³⁾		
	W	H ₄	d ₃	d ₄	h	E	F	T ₀ N·m				T _x N·m	T _y N·m	
4.5	15	15	4.5	8	6	30	60	M4×16	11 600	13 400	112	95.6 556	95.6 556	
5.5	20	18	6	9.5	8.5	30	60	M5×18	18 100	21 100	232	195 1 090	195 1 090	
									24 100	31 700	349	421 2 140	421 2 140	
6.5	23	22	7	11	9	30	60	M6×22	25 200	28 800	362	309 1 690	309 1 690	
									30 800	38 300	483	533 2 740	533 2 740	

Example of identification number for assembled set (For details, see "Identification number and specification".)



※ In case ordering track rail only, model code is changed as shown below.
 Track rail of interchangeable MHS → Model code LWH (Ex: LWH15R900BPS2)

Maintenance Free & Interchangeable

U.S. PATENTED

C-Sleeve Linear Way MUL

MUL

IKO C-Sleeve Linear Way MUL is a linear motion rolling guide, incorporating the C-Sleeve as a components part for lubrication in the slide unit of miniature type Linear Way LWUL series to achieve maintenance free operations for a long period of time.

Long-term maintenance free

The lubricant in the C-Sleeve keeps the lubrication performance for a long period of time and achieves long-term maintenance free operations. (5 years and 20,000km)

So man-hours for troublesome lubrication control can be reduced.

Lightweight and compact

The C-Sleeve is incorporated in the lightweight and compact slide unit of miniature type Linear Way LWLU series without changing the external dimensions of the slide unit.

Smooth and light motion

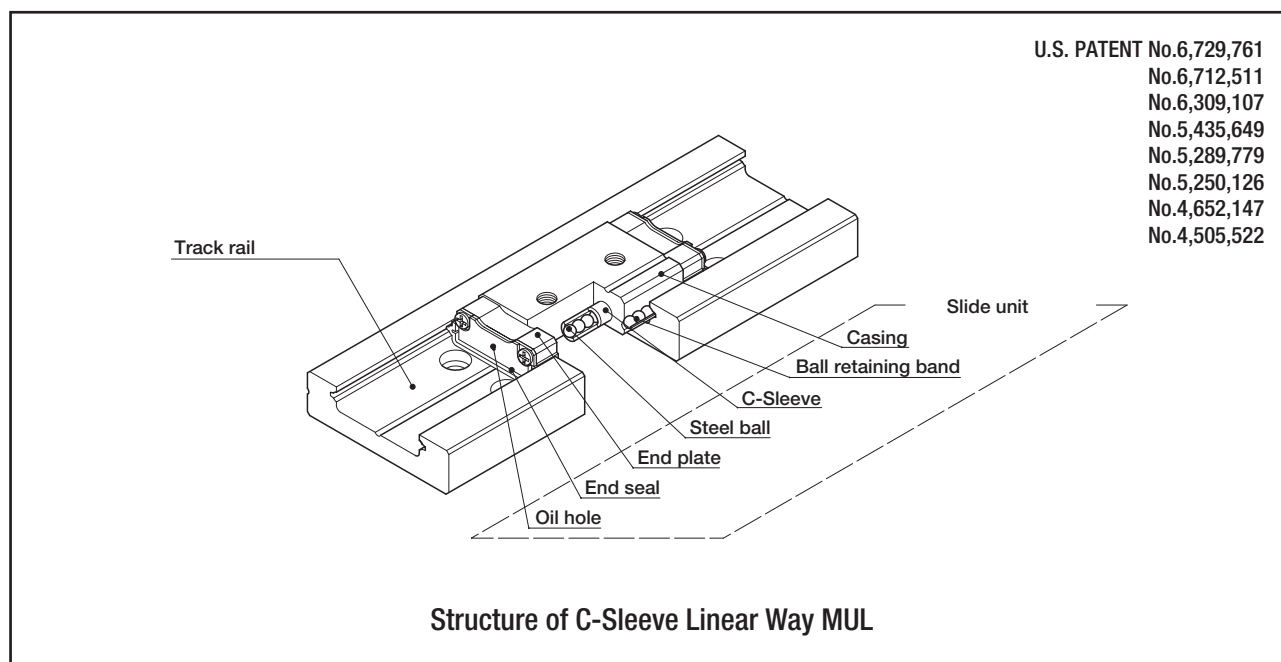
As the C-Sleeve is not in contact with the track rail, frictional resistance does not increase. A smooth and light motion is ensured.

Stainless steel made

The metal components are manufactured from corrosion resistant stainless steel. So this series is most suitable for use in clean rooms and also for applications where the use of lubricants and rust preventive oil should be avoided or kept to a minimum.

U-shaped track rail

Rigidity of track rail under moment and torsion is very much increased by adopting the U-shaped design. The track rail can, therefore, be mounted on machines and equipment as structural members, either in a cantilever position or supported at both ends, so they can be combined an assembled freely.



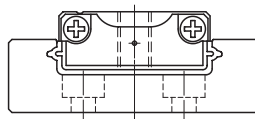
IKD C-Sleeve Linear Way MUL

Shape

Model code

C-Sleeve Linear Way MUL

Miniature type



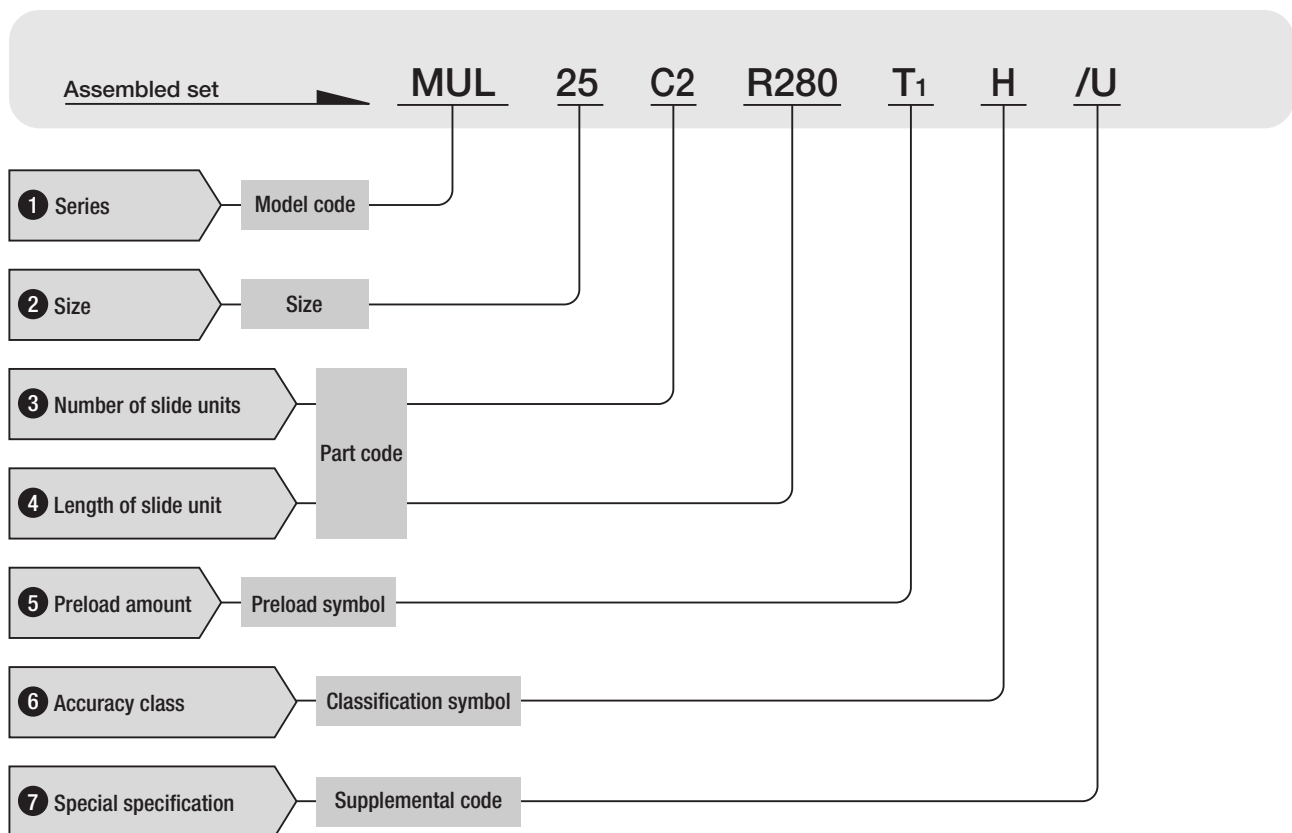
MUL

A

MUL

● Identification number and specification

The specification of C-Sleeve Linear Way MUL is indicated by the identification number, consisting of a model code, a size, a part code, a preload symbol, a classification symbol and any supplemental codes. For details of each specification, see page 76.



1 Series

Miniature type : MUL

Applicable type and size of slide unit are shown in Table 1.

2 Size

Table 1 Type and size of C-Sleeve Linear Way MUL

Size	Type	Stainless steel
		MUL
25		○
30		○

3 Number of slide unit

: C○

For an assembled set, indicate the number of slide units assembled on one track rail.

4 Length of track rail

: R○

Indicate the length of track rail in mm. For standard and maximum lengths, see "Track rail length" on page A-58.

5 Preload amount

Standard : No symbol
Light preload : T₁

For detail of preload amount, see page 84.

6 Accuracy class

Ordinary class : No symbol
 High class : **H** For detail of accuracy, see page 79.

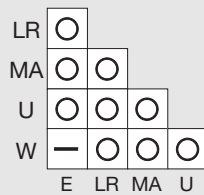
7 Special specifications

Applicable special specifications are shown in Table 2. When a combination of several special specifications is required, please refer Table 3 and arrange their supplemental codes in alphabetical order. For detail of specifications, see page 86.

Table 2 Applicable special specifications

Specifications	Supplemental code	Dimension
Specified rail mounting hole positions	E	
Black chrome surface treatment on track rail	LR	
With track rail mounting bolts	MA	See Table 4.
With upper seals	U	See Table 5.
Matched sets to be used as an assembled group	W	

Table 3 Combination of special specifications



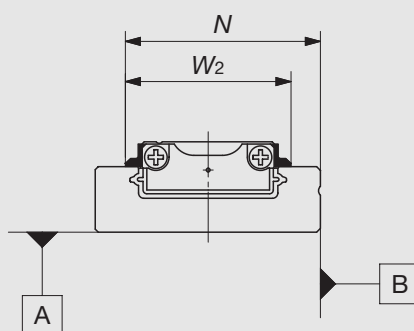
Remark : When a combination of several special specifications is required, arrange their supplemental codes in alphabetical order.

Table 4 Size for track rail mounting bolt (Supplemental code /MA)

Model code	Bolt size
MUL 25	Cross-recessed head cap screw for precision equipment M2.5×6
MUL 30	Hexagon socket head bolt (1) M2.5×6

Note(1) : The property division A2-70 of JIS B 1176 hexagon socket head bolt is recommended.

Table 5 Dimension of slide unit with upper seals (Supplemental code: /U)



unit : mm

Model number	N	W ₂
MUL 25	21.4	18
MUL 30	25.9	22

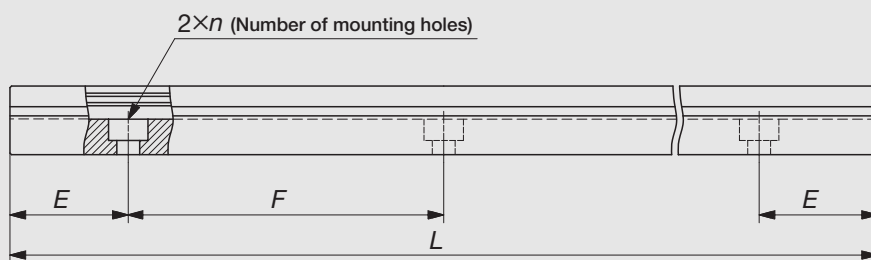
● Track rail length

Standard and maximum lengths of track rail are shown in Table 6.

Track rail in any lengths are also available. Simply indicate the necessary length of track rail in millimeter (mm) in the identification number. For the tolerance of *E* dimensions and track rail length, consult **IKO** for further information.

- *E* dimensions at both ends are the same unless otherwise specified. To change these dimensions, specify the specified rail mounting hole positions (supplemental code "/E") of special specification. Please see page 89.

Table 6 Standard and maximum lengths of track rails



unit : mm

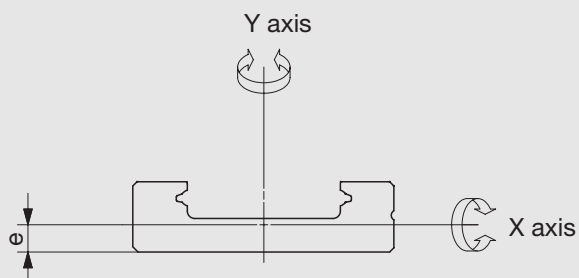
Model number		MUL 25	MUL 30
Item			
Standard length <i>L</i> (<i>n</i>)		105(3)	120(3)
		140(4)	160(4)
		175(5)	200(5)
		210(6)	240(6)
		245(7)	280(7)
		280(8)	320(8)
Mounting hole pitch <i>F</i>		35	40
<i>E</i>		17.5	20
Reference dimension <i>E</i>	Over (Incl.)	4.5	4.5
	Under	22	24.5
Maximum length ⁽¹⁾		420 (840)	480 (960)

Note ⁽¹⁾ : The track rails can be manufactured up to the maximum length shown in parentheses. If required, please consult **IKO**.

● Geometrical moment of inertia

High rigidity design of C-Sleeve Linear Way MUL is achieved by adopting a U-shaped track rail. Table 7 shows the moment of inertia of sectional area of track rails.

Table 7 Moment of inertia of sectional area of track rails



Model number	Moment of inertia of sectional area mm ⁴		Center of gravity e mm
	<i>I_X</i>	<i>I_Y</i>	
MUL 25	3.7×10^2	7.5×10^3	2.6
MUL 30	9.3×10^2	1.7×10^4	3.3

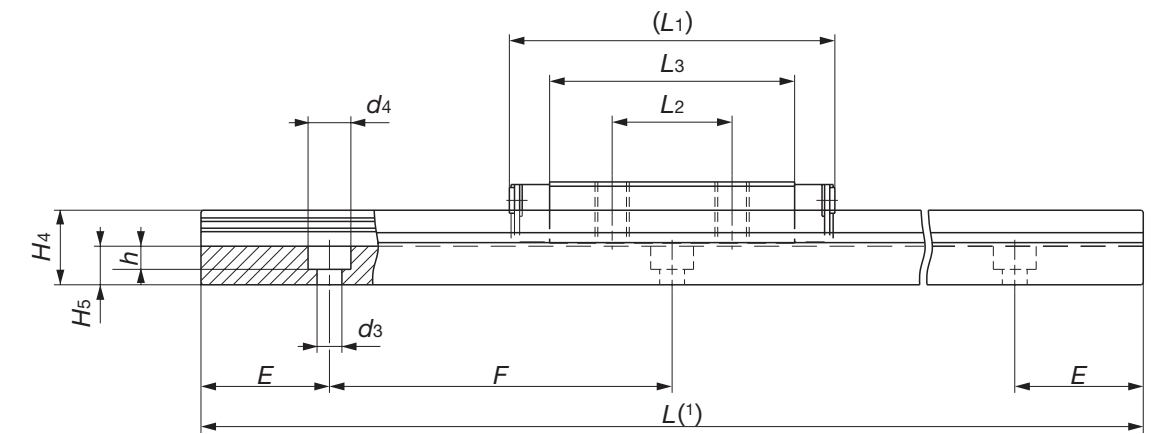
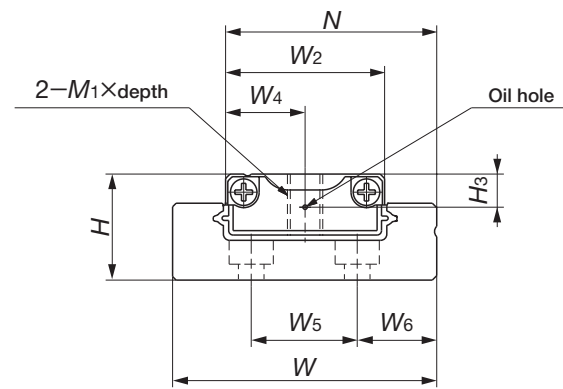
A

MUL

IKO C-Sleeve Linear Way MUL



MUL

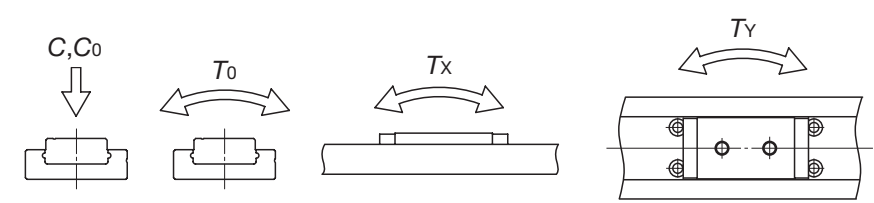
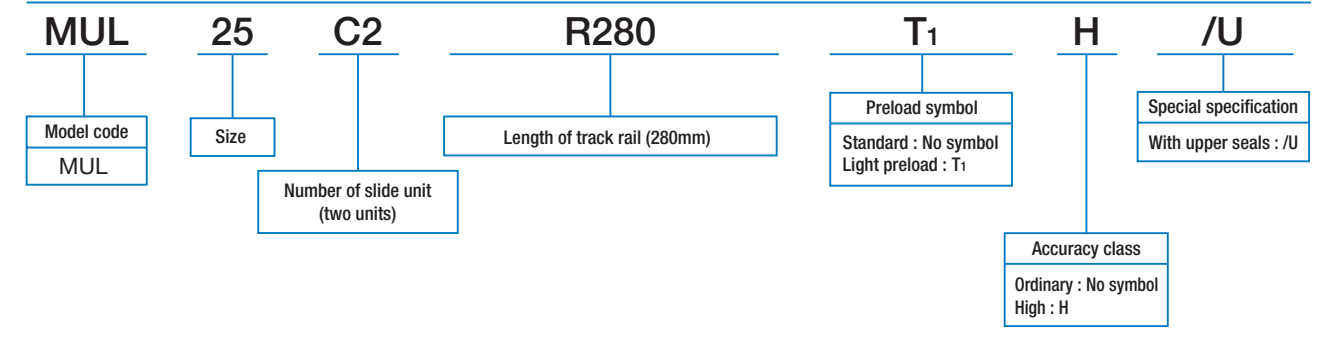


Model number	Mass (Reference) g		Dimension of assembly mm		Dimension of slide unit mm								
	Slide unit	Track rail (per 100mm)	H	N	W ₂	W ₄	L ₁	L ₂	L ₃	M ₁ ×depth	H ₃	W	H ₄
MUL 25	13	87	9	19.4	14	7	31	12	22	M3×5	2.9	24.9	6.7
MUL 30	28	139	12	23.9	18	9	38	14	28.6	M4×7	3.75	29.9	8.7

Dimension of track rail mm								Appended mounting bolt for track rail ⁽²⁾ mm Bolt size x length	Basic dynamic load rating ⁽³⁾ C N	Basic static load rating ⁽³⁾ C ₀ N	Static moment rating ⁽³⁾		
H ₅	W ₅	W ₆	d ₃	d ₄	h	E	F				T ₀ N·m	T _x N·m	T _y N·m
3.2	9	8	2.9	4.8	1.6	17.5	35	Cross-recessed head cap screw for precision equipment M2.5×6	1 770	2 840	20.3	10.1 53.7	8.4 45.0
4.5	12	9	2.9	5	2.7	20	40	Hexagon socket head bolt M2.5×6	2 280	3 810	34.9	16.9 87.5	14.2 73.4

Note⁽¹⁾ : Track rail lengths L are shown in Table 5 on page A-58.
 Note⁽²⁾ : Track rail mounting bolts are not appended. For recommended bolts, see Table 4 on page A-57.
 Note⁽³⁾ : The directions of basic dynamic load rating (C), basic static load rating (C₀) and static moment rating (T₀, T_x and T_y) are shown in the sketches below. The upper values in the T_x and T_y column apply to one slide unit, and the lower values apply to two units in close contact.
 Remark : For the dimension of oil hole, please see page 97.

Example of identification number (For details, see "Identification number and specification".)





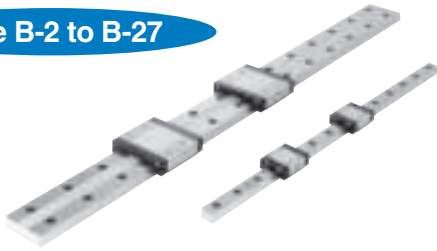
Linear Ways

Description of each series and Table of dimensions

B

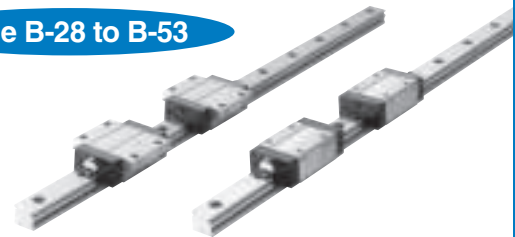
Linear Way L

Page B-2 to B-27



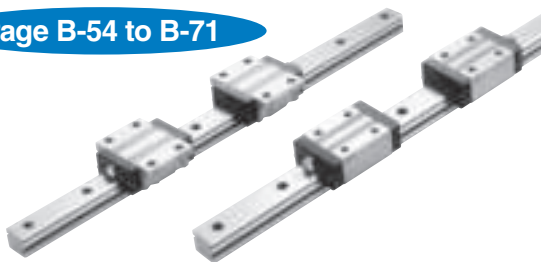
Linear Way E

Page B-28 to B-53



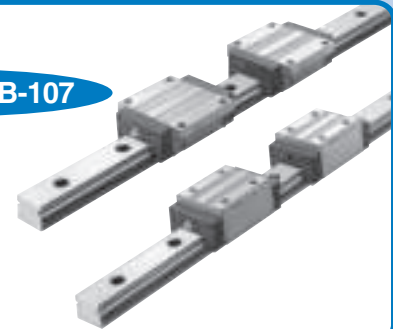
Low Decibel Linear Way E

Page B-54 to B-71



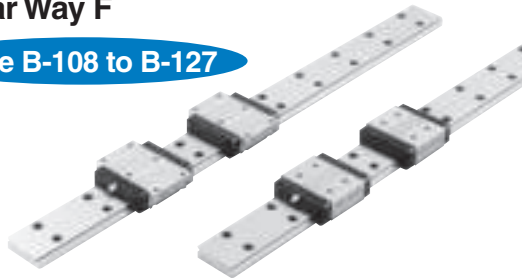
Linear Way H

Page B-72 to B-107



Linear Way F

Page B-108 to B-127



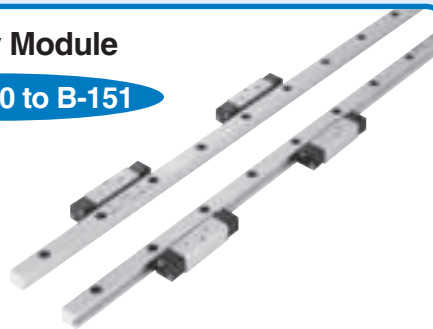
Linear Way U

Page B-128 to B-139



Linear Way Module

Page B-140 to B-151



In the table of dimensions, standard products are referred to using identification numbers marked with . The identification numbers marked with refer to our semi-standard products.

(B-1)

Miniature Type Linear Way

U.S. PATENTED

Linear Way L

LWL/LWLF

I **K** **Q** Linear Way L is a miniature type linear motion rolling guide, incorporating two rows of steel balls arranged in four point contact with the raceways. Although it is small in size, it provides stable accuracy and rigidity owing to its simple design even in operations under fluctuating loads with changing direction and magnitude or complex loads. The standard products are made from stainless steel, and a wide range of variations in shapes and sizes are available for selections suitable for each application.

Interchangeable

The ball-retained type includes interchangeable specification products. The dimensions of slide units and track rails of this specification are individually controlled, so that the slide units and track rails can be combined, added or exchanged freely.

Standard type and wide rail type

Slide units and track rails are provided in two widths: standard type and wide rail type. The wide rail type is suitable for single row rail arrangement.

Length of slide unit

The slide unit of stainless steel, ball retained type is further classified into three types: short type, standard type and high rigidity long type. All of these slide units are equal in sectional dimensions but different in slide unit lengths, which can be selected suiting the requirements in each application.

Stainless steel type and high carbon steel type

The stainless steel type has excellent corrosion resistance and is most suitable for machines and equipment used in clean environments, for example, medical equipment, disk read devices, and semiconductor manufacturing equipment.

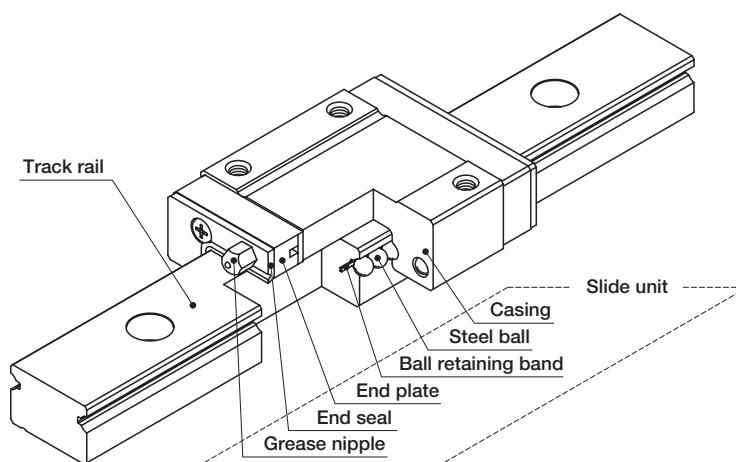
The high carbon steel type permits additional working to track rails and is used for general purpose applications such as material transfer machines and handling equipment.

Ball retained type

The slide unit of ball retained type incorporates ball retaining bands, which prevent steel balls from dropping when the slide unit is separated from the track rail. So handling is easy.

Tapped rail specification

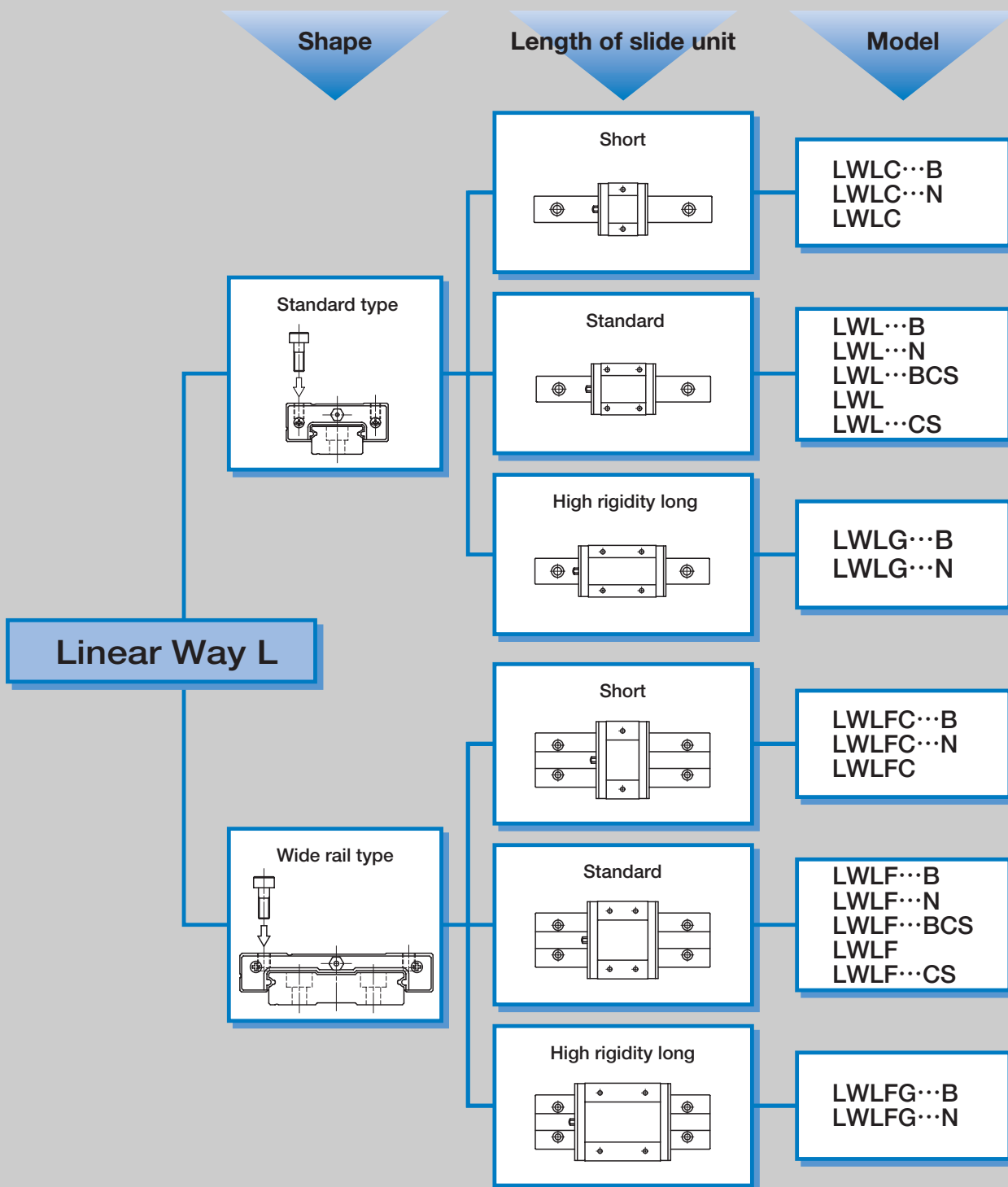
In addition to the standard specification track rail which is fixed by inserting bolts downward in the mounting holes, the tapped rail specification track rail that has tapped screw holes is available, so an optimum mounting direction can be selected, giving more freedom in machine design.



Structure of Linear Way L Ball Retained Type

U.S. PATENT No. 5,435,649
 No. 5,289,779
 No. 5,250,126
 No. 4,652,147
 No. 4,505,522

Linear Way L series



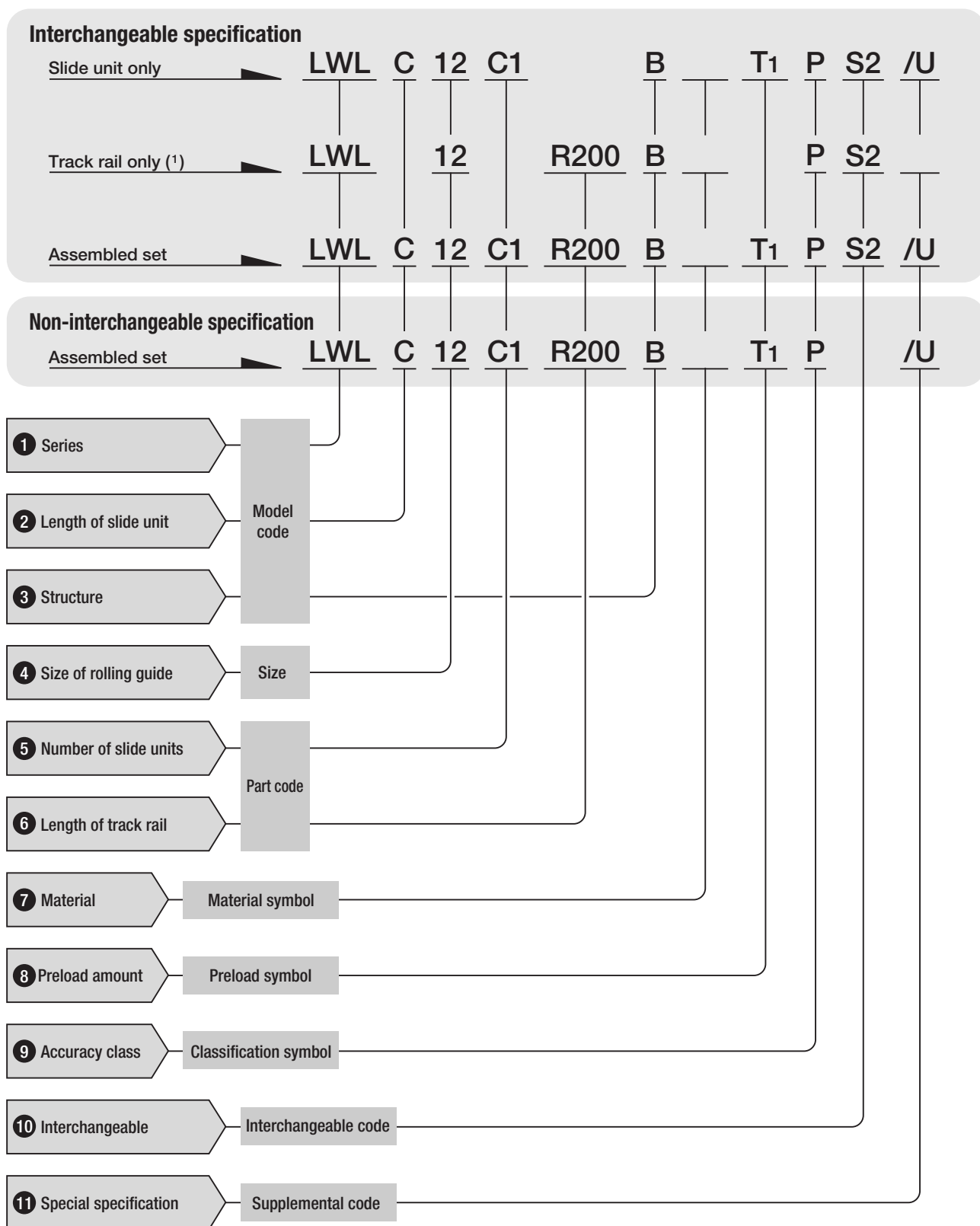
B
LWL, LWLF

Remark 1 : Models with "B" are ball retained type and include interchangeable products.
 2 : Models with "N" are tapped rail specification.
 3 : Models with "CS" are high carbon steel type.

1N=0.102kgf=0.2248lbs.
 1mm=0.03937inch

● Identification number and specification

The specification of Linear Way L is indicated by the identification number, consisting of a model code, a size, a part code, a material symbol, a preload symbol, a classification symbol, an interchangeable code and any supplemental codes. For details of each specification, see page 76.



Note(1) : For the model code of a single track rail of interchangeable specification, indicate "LWL...B" or "LWLF...B" regardless of the slide unit type to be combined.

<p>1 Series</p>	<p>Standard type : LWL Wide rail type : LWLF</p>	<p>For available slide unit models, materials and sizes, see Tables 1.1, 1.2, 2.1 and 2.2. The track rails of the size 2 and 3 models are of the tapped rail specification, but "N" is not attached to the model code.</p>
<p>2 Length of slide unit</p>	<p>Short : C Standard : No symbol High rigidity long : G</p>	
<p>3 Structure</p>	<p>Ball retained type : B Ball non-retained type : No symbol Tapped rail specification : N</p>	
<p>4 Size of rolling guide</p>		
<p>5 Number of slide units</p>	<p>Assembled set : C○ Slide unit only : C1</p>	<p>For an assembled set, indicate the number of slide units assembled on one track rail. For a slide unit, only "C1" can be indicated.</p>
<p>6 Length of track rail</p>	<p>Assembled set : R○ Track rail only : R○</p>	<p>Indicate the length of track rail in mm. For standard and maximum lengths, see "Track rail length" on page B-12 to B-13.</p>
<p>7 Material</p>	<p>Stainless steel made : No symbol High carbon steel made : CS</p>	<p>For applicable material types, see Tables 1.1, 1.2, 2.1 and 2.2.</p>

B
LWL, LWLF

Table 1.1 Models and sizes of Linear Way L standard type (Ball retained type)

Model Size	Standard rail specification				Tapped rail specification		
	Stainless steel made			High carbon steel made	Stainless steel made		
	Short LWLC...B	Standard LWL...B	High rigidity long LWLG...B	Standard LWL...BCS	Short LWLC...N	Standard LWL...N	High rigidity long LWLG...N
5	☆	☆	—	—	○	○	—
7	☆	☆	☆	—	○	○	○
9	☆	☆	☆	☆	○	○	○
12	☆	☆	☆	☆	—	—	—
15	☆	☆	☆	☆	—	—	—
20	☆	☆	☆	☆	—	—	—
25	☆	☆	☆	—	—	—	—

Remark : The mark ☆ indicates that interchangeable specification products are available.

Table 1.2 Models and sizes of Linear Way L standard type (Ball non-retained type)

Model Size	Standard rail specification		Tapped rail specification	
	Stainless steel made	High carbon steel made	Stainless steel made	
	Standard LWL	Standard LWL...CS	Short LWLC	Standard LWL
2	—	—	—	○
3	—	—	○	○
5	○	—	—	—
7	○	—	—	—
9	○	—	—	—
12	○	○	—	—
15	○	○	—	—

Table 2.1 Models and sizes of Linear Way L wide rail type (Ball retained type)

Model Size	Standard rail specification				Tapped rail specification		
	Stainless steel made			High carbon steel made	Stainless steel made		
	Short LWLFC...B	Standard LWLF...B	High rigidity long LWLFG...B	Standard LWLF...BCS	Short LWLFC...N	Standard LWLF...N	High rigidity long LWLFG...N
10	☆	☆	—	—	○	○	—
14	☆	☆	☆	—	○	○	○
18	☆	☆	☆	☆	○	○	○
24	☆	☆	☆	☆	—	—	—
30	☆	☆	☆	☆	—	—	—
42	☆	☆	☆	☆	—	—	○

Remark : The mark ☆ indicates that interchangeable specification products are available.

Table 2.2 Models and sizes of Linear Way L wide rail type (Ball non-retained type)

Model Size	Standard rail specification			Tapped rail specification	
	Stainless steel made		High carbon steel made	Stainless steel made	
	Short LWLFC	Standard LWLF	Standard LWLF...CS	Short LWLFC...N	Standard LWLF...N
4	—	○	—	—	—
6	○	○	—	○	○
14	—	○	—	—	—
18	—	○	○	—	—
24	—	○	○	—	—
42	—	○	○	—	—

8 Preload amount

Clearance : T0
 Standard : No symbol
 Light preload : T1

Specify this item for an assembled set or a single slide unit. For applicable preload amount, see Table 3. For details of preload amount, see page 84.

Table 3 Applicable preload types

Size		Preload type		
Standard type	Wide rail type	Clearance (T0)	Standard (No symbol)	Light preload (T1)
2	4	○	—	—
3	6	○	—	—
5	10	☆	☆	—
7	14	☆	☆	☆
9	18	☆	☆	☆
12	24	☆	☆	☆
15	30	☆	☆	☆
20	42	☆	☆	☆
25	—	☆	☆	☆

Remark : The mark ☆ indicates that it is also applicable to interchangeable specification products.

9 Accuracy class

High : H
 Precision : P

For the interchangeable specification, combine slide units and track rails of the same class. For details of accuracy, see page 79.

10 Interchangeable code

Select group 1 : S1
 Select group 2 : S2

Specify this item for the interchangeable specification products. Assemble track rails and slide units with the same interchangeable code. Performance and accuracy of "S1" group and "S2" group are the same.

11 Special specification

For applicable special specifications, see Table 4. When several special specifications are required, see Table 5. For details of special specifications, see page 86.

Table 4 Special specifications

Special specification	Supplemental code	Assembled set	Track rail only	Slide unit only	Dimension
Butt-jointing track rail	A	○ ⁽¹⁾ (2) ⁽³⁾	—	—	
Stainless steel end plates	BS	○ ⁽⁴⁾ (5)	—	—	
Opposite reference surfaces arrangement	D	☆	—	—	
Specified rail mounting hole positions	E	☆	☆	—	
Inspection sheet	I	○	—	—	
Black chrome surface treatment (track rail)	LR	○ ⁽⁶⁾	—	—	
Supplied without track rail mounting bolt	MN	☆ ⁽²⁾ (7)	☆	—	
Changed sizes of mounting holes and female threads	M	○ ⁽²⁾ (8)	—	—	See Table 6 .
No end seal	N	☆	—	☆	
Capillary plates	Q	☆ ⁽⁴⁾	—	☆	See Table 7 .
Seals for special environment	RE	○ ⁽⁴⁾ (9)	—	—	
Track rail with stopper pins	S	○	—	—	See Table 8 .
Under seals	U	☆ ⁽¹⁰⁾	—	☆ ⁽¹¹⁾	See Table 9 .
Matched sets to be used as an assembled group	W	○	—	—	
Specified grease	Y	○ ⁽¹²⁾	—	—	

Note⁽¹⁾ : Not applicable to high carbon steel type.

⁽²⁾ : Not applicable to tapped rail specification products.

⁽³⁾ : Not applicable to size 2, 3, 4 and 6 models.

⁽⁴⁾ : Not applicable to non ball-retrained type.

⁽⁵⁾ : Not applicable to size 25 models.

⁽⁶⁾ : Not applicable to size 2, 3, 4, 5, 6 and 10 models.

⁽⁷⁾ : Not applicable to size 2 and 3 models.

⁽⁸⁾ : Applicable to size 5, 9, 12, 14 and 18 models of stainless steel made ball non-retained type.

⁽⁹⁾ : Not applicable to size 2, 3, 4 and 25 models.

⁽¹⁰⁾ : Not applicable to size 2, 3, 4, 5, 6, 7, 10 and 14 models.

⁽¹¹⁾ : Not applicable to size 5, 7, 10 and 14 models.

⁽¹²⁾ : Only /YNG is applicable to size 2 and 4 models.

Remark : The mark ☆ indicates that it is also applicable to interchangeable specification products.

Table 5 Combination of special specifications

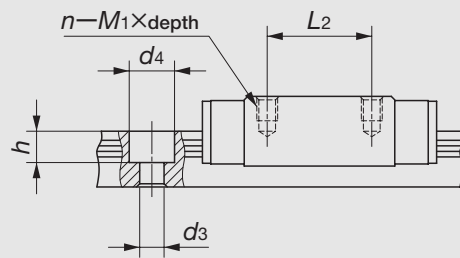
BS	○																			
D	○	○																		
E	—	○	—																	
I	○	○	○	○																
LR	—	○	○	○	○															
MN	○	○	☆	☆	○	○														
M	○	○	○	○	○	○	○													
N	○	○	☆	☆	○	○	☆	○												
Q	○	○	☆	☆	○	○	☆	○	☆											
RE	○	○	○	○	○	○	○	○	—	○										
S	○	○	○	○	○	○	○	○	○	○	○									
U	○	○	☆	☆	○	○	☆	○	—	☆	○	○								
W	○	○	○	—	○	○	○	○	○	○	○	○	○							
Y	○	○	○	○	○	○	○	○	○	○	—	○	○	○	○					
	A	BS	D	E	I	LR	MN	M	N	Q	RE	S	U	W						

Remark 1 : In the table, the mark ☆ indicates that it is also applicable to interchangeable specification products.

2 : In the table, the mark — indicates that this combination cannot be made.

3 : When several special specifications are combined, arrange the supplemental codes alphabetically.

Table 6 Changed sizes of mounting holes and female threads (Supplemental code /M)



unit : mm

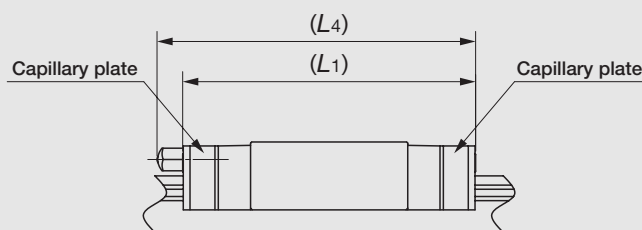
Model number	$n-M_1 \times \text{depth}$	L_2	d_3	d_4	h	Track rail mounting bolt
LWL 5 .../M2	2-M2x2	7*	2.4*	3.6*	1*	M2x 6*
LWL 9 .../M3	4-M3x2.5	10	3.5	6	3.5	M3x 8
LWL 12 .../M3	4-M3x3	15*	3.5	6.5	4.5	M3x10
LWLF 14 .../M3	4-M3x3	10*	3.5*	6*	3.2*	M3x 6*
LWLF 18 .../M3	4-M3x3	12*	3.5*	6.5*	4.5*	M3x 8*

Remark : The values marked with an asterisk (*) are the same as those of the standard products.

B

LWL, LWLF

Table 7 Slide unit with Capillary plates (Supplemental code /Q)



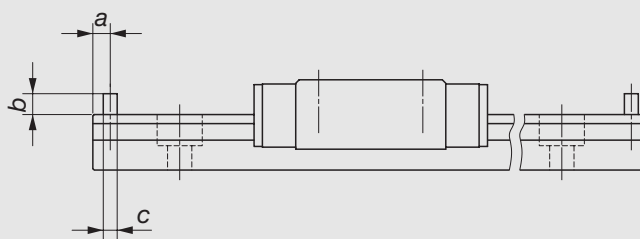
unit : mm

Model number	L1	L4
LWLC 5...B	22	—
LWL 5...B	25	—
LWLC 7...B	27	—
LWL 7...B	31.5	—
LWLG 7...B	39	—
LWLC 9...B	30	—
LWL 9...B	39	—
LWLG 9...B	49	—
LWLC 12...B	33	—
LWL 12...B	42	—
LWLG 12...B	52	—
LWLC 15...B	42	46
LWL 15...B	52	57
LWLG 15...B	67	72
LWLC 20...B	48	52
LWL 20...B	60	65
LWLG 20...B	78	82
LWLC 25...B	63.5	74
LWL 25...B	87.5	98
LWLG 25...B	107.5	118

Model number	L1	L4
LWLFC 10...B	26.5	—
LWLFC 10...B	30.5	—
LWLFC 14...B	30.5	—
LWLFC 14...B	39.5	—
LWLFC 14...B	50	—
LWLFC 18...B	34.5	—
LWLFC 18...B	47	—
LWLFC 18...B	58.5	—
LWLFC 24...B	38.5	—
LWLFC 24...B	52	—
LWLFC 24...B	67	—
LWLFC 30...B	45.5	50
LWLFC 30...B	60	64
LWLFC 30...B	78.5	83
LWLFC 42...B	51.5	56
LWLFC 42...B	65	70
LWLFC 42...B	84.5	89

Remark : The above table shows representative model numbers but is applicable to all models.

Table 8 Track rail with stopper pins (Supplemental code /S)



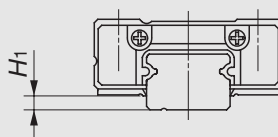
unit : mm

Model number		a	b	c
Ball retained type	Ball non-retained type			
LWL 5··B	LWL 5	2	2	1.6
LWL 7··B	LWL 7	2.5	2.5	2
LWL 9··B	LWL 9		3	
LWL 12··B	LWL 12		4	
LWL 15··B	LWL 15		5	
LWL 20··B	—			
LWL 25··B	—	3.5		

Model number		a	b	c
Ball retained type	Ball non-retained type			
LWLF 10··B	—	2.5	2	1.6
LWLF 14··B	LWLF 14		3	2
LWLF 18··B	LWLF 18			
LWLF 24··B	LWLF 24			
LWLF 30··B	—		4	
LWLF 42··B	LWLF 42		5	

Remark : The above table shows representative model numbers but is also applicable to all models of the same size.

Table 9 H₁ dimension of slide unit with under seals (Supplemental code /U)



unit : mm

Model number		H ₁
Ball retained type	Ball non-retained type	
LWL 9··B	LWL 9	1
LWL 12··B	LWL 12	2
LWL 15··B	LWL 15	3
LWL 20··B	—	4
LWL 25··B	—	5(1)

Model number		H ₁
Ball retained type	Ball non-retained type	
LWLF 18··B	LWLF 18	2
LWLF 24··B	LWLF 24	
LWLF 30··B	—	
—	LWLF 42	3
LWLF 42··B	—	

Note(1) : This dimension is the same as that without under seals.

Remark : The above table shows representative model numbers but is applicable to all models of the same size.

B

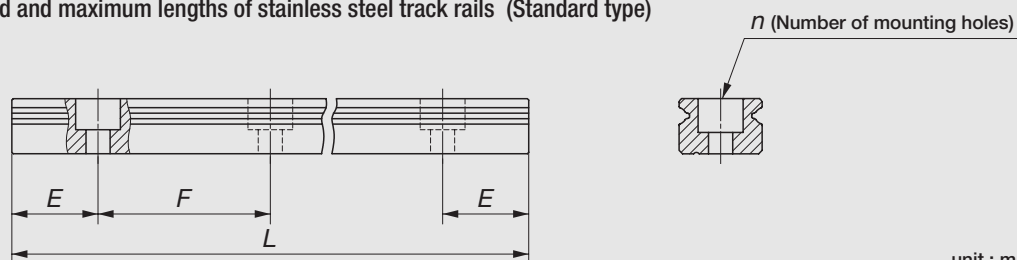
LWL, LWLF

Track rail length

Standard and maximum lengths of track rails are shown in Tables 10.1, 10.2 and 10.3. Track rails in any length are also available. Simply indicate the necessary length of track rail in mm in the identification number. For the tolerances of E dimension and track rail length, consult **IKO** for further information.

- For non-interchangeable track rails longer than the maximum length shown in Tables 10.1, 10.2 and 10.3, butt-jointing track rails are available upon request. In this case, indicate " /A" in the identification number.
- E dimensions at both ends are the same and are within the standard range of E unless otherwise specified. To change these dimensions, specify the specified rail mounting hole positions " /E" of special specification. For details, see page 89.

Table 10.1 Standard and maximum lengths of stainless steel track rails (Standard type)



Model number	LWL 2	LWL 3	LWL 5...B	LWL 7...B	LWL 9...B
Item			LWL 5	LWL 7	LWL 9
Standard length $L(n)$	32(4) 40(5) 56(7) 80(10)	30(3) 40(4) 60(6) 80(8) 100(10)	60(4) 90(6) 105(7) 120(8) 150(10)	60(4) 90(6) 120(8) 150(10) 180(12) 240(16)	60(3) 80(4) 120(6) 160(8) 220(11) 280(14)
Pitch of mounting holes F	8	10	15	15	20
E	4	5	7.5	7.5	10
Standard range of E (1)	incl. 2.5 under 6.5	3 8	4 11.5	4.5 12	4.5 14.5
Maximum length(2)	104 (200)	150 (300)	210 (510)	300 (990)	860 (1 200)
Maximum number of butt-jointing track rails	—	—	5	7	2
Maximum length of butt-jointing track rails	—	—	915	1 905	1 660
Model number	LWL 12...B	LWL 15...B	LWL 20...B	LWL 25...B	
Item					
Standard length $L(n)$	100(4) 150(6) 200(8) 275(11) 350(14) 475(19)	160(4) 240(6) 320(8) 440(11) 560(14) 680(17)	180(3) 240(4) 360(6) 480(8) 660(11) 840(14)	240(4) 300(5) 360(6) 480(8) 660(11) 900(15)	
Pitch of mounting holes F	25	40	60	60	
E	12.5	20	30	30	
Standard range of E (1)	incl. 5 under 17.5	5.5 25.5	8 38	9 39	
Maximum length(2)	1 000 (1 450)	1 000 (1 480)	960 (1 800)	960 (1 800)	
Maximum number of butt-jointing track rails	2	2	2	2	
Maximum length of butt-jointing track rails	1 925	1 880	1 740	1 740	

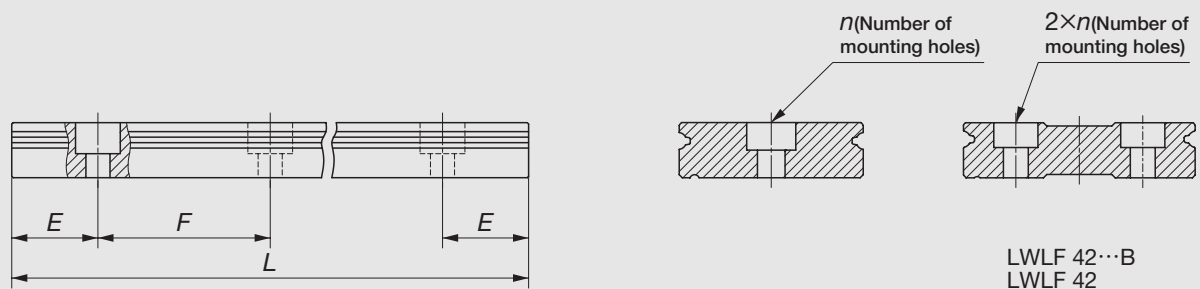
Note(1) : Not applicable to the track rail with stopper pins (/S).

(2) : The track rails of LWL 2, LWL 3 and LWL ...B can be manufactured up to the maximum lengths shown in parentheses. Consult **IKO** for further information.

Remark 1 : The above table shows representative model numbers but is applicable to all models of the same size.

2 : "Maximum number of butt-jointing track rails" and "Maximum length of butt-jointing track rails" do not apply to the track rails of interchangeable specification and tapped rail specification.

Table 10.2 Standard and maximum lengths of stainless steel track rails (Wide rail type)



unit : mm

Model number	LWLF 4	LWLF 6	LWLF 10...B	LWLF 14...B
Item				LWLF 14
Standard length $L(n)$	40(4) 60(6) 70(7) 80(8) 100(10)	60(4) 90(6) 105(7) 120(8) 150(10)	60(3) 80(4) 120(6) 160(8) 220(11) 280(14)	90(3) 120(4) 150(5) 180(6) 240(8) 300(10)
Pitch of mounting holes F	10	15	20	30
E	5	7.5	10	15
Standard range of E (1)	incl.	3.5	4.5	5.5
	under	8.5	12	20.5
Maximum length(2)	180 (300)	240 (300)	300 (500)	300 (990)
Maximum number of butt-jointing track rails	—	—	7	8
Maximum length of butt-jointing track rails	—	—	1 840	1 950
Model number	LWLF 18...B	LWLF 24...B	LWLF 30...B	LWLF 42...B
Item				LWLF 42
Standard length $L(n)$	90(3) 120(4) 150(5) 180(6) 240(8) 300(10)	120(3) 160(4) 240(6) 320(8) 400(10) 480(12)	160(4) 240(6) 320(8) 440(11) 560(14) 680(17)	160(4) 240(6) 320(8) 440(11) 560(14) 680(17)
Pitch of mounting holes F	30	40	40	40
E	15	20	20	20
Standard range of E (1)	incl.	5.5	6.5	6.5
	under	20.5	26.5	26.5
Maximum length(2)	690 (1 860)	680 (1 960)	680 (2 000)	680 (2 000)
Maximum number of butt-jointing track rails	3	3	3	3
Maximum length of butt-jointing track rails	1 920	1 840	1 840	1 840

Note(1) : Not applicable to the track rail with stopper pins (S).

(2) : The track rails of LWLF 4, LWLF 6 and LWLF...B can be manufactured up to the maximum lengths shown in parentheses. Consult **IKD** for further information.

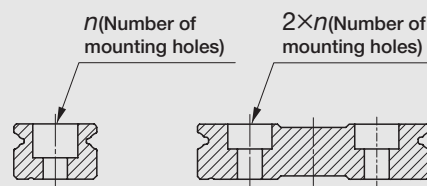
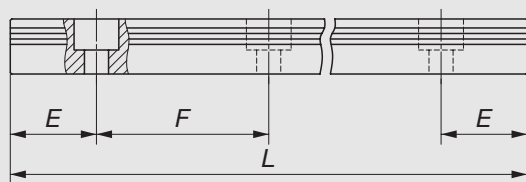
Remark 1 : The above table shows representative model numbers but is applicable to all models of the same size.

2 : "Maximum number of butt-jointing track rails" and "Maximum length of butt-jointing track rails" do not apply to the track rails of interchangeable specification and tapped rail specification.

B

LWL, LWLF

Table 10.3 Standard and maximum lengths of high carbon steel track rails (Standard type, Wide rail type)



LWLF 42...BCS
LWLF 42... CS

unit : mm

Model number		LWL 9...BCS	LWL 12...BCS LWL 12... CS	LWL 15...BCS LWL 15... CS	LWL 20...BCS
Item					
Standard length $L(n)$		80(4) 160(8) 220(11) 280(14) 380(19) 500(25) 600(30)	100(4) 200(8) 275(11) 350(14) 475(19) 600(24) 700(28)	160(4) 320(8) 440(11) 560(14) 680(17) 800(20) 920(23)	180(3) 240(4) 360(6) 480(8) 660(11) 900(15) 1 020(17)
Pitch of mounting holes F		20	25	40	60
E		10	12.5	20	30
Standard range of E (1)	incl.	4.5	5	5.5	8
	under	14.5	17.5	25.5	38
Maximum length		1 000	1 500	1 520	1 560
Model number		LWLF 18...BCS LWLF 18... CS	LWLF 24...BCS LWLF 24... CS	LWLF 30...BCS	LWLF 42...BCS LWLF 42... CS
Item					
Standard length $L(n)$		90(3) 180(6) 240(8) 300(10) 420(14) 510(17) 600(20)	120(3) 240(6) 320(8) 400(10) 600(15) 720(18) 800(20)	160(4) 320(8) 440(11) 560(14) 680(17) 800(20) 920(23)	160(4) 320(8) 440(11) 560(14) 680(17) 800(20) 920(23)
Pitch of mounting holes F		30	40	40	40
E		15	20	20	20
Standard range of E (1)	incl.	5.5	6.5	6.5	6.5
	under	20.5	26.5	26.5	26.5
Maximum length		1 500	1 520	1 600	1 600

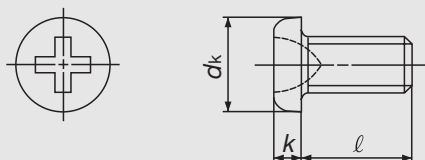
Note(1) : Not applicable to the track rail with stopper pins (/S).

Remark : The above table shows representative model numbers but is applicable to all models of the same size.

● Mounting bolt

Mounting bolts for the slide unit and the track rail of tapped rail specification are available as shown in Table 11.1 and 11.2. Consult **IKO** for further information.

Table 11.1 Cross recessed head screw for precision equipment



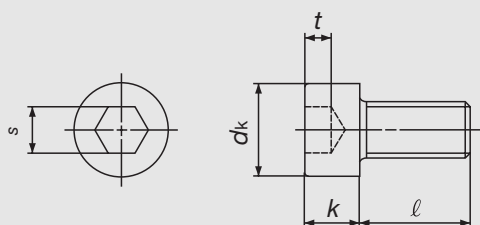
unit : mm

Bolt size (<i>d</i>)	Pitch of screw (<i>P</i>)	Dimension		
		<i>d_k</i>	<i>k</i>	<i>l</i>
M1	0.25	1.8	0.45	3, 4, 5
M1.4 (1)	0.3	2.5	0.8	2.5, 3, 4
M1.6 (1)	0.35	2.8	0.85	4, 5, 6
M2 (1)	0.4	3.5	1	3, 4, 5

Note(1) : Based on "Cross recessed head screw (#0) for precision equipment" of Japanese Standard (JCIS)10-70

Remark : Dimensions of the screws shown in the above table are different from those of the appended mounting bolts for track rail.

Table 11.2 Hexagon socket head bolt



unit : mm

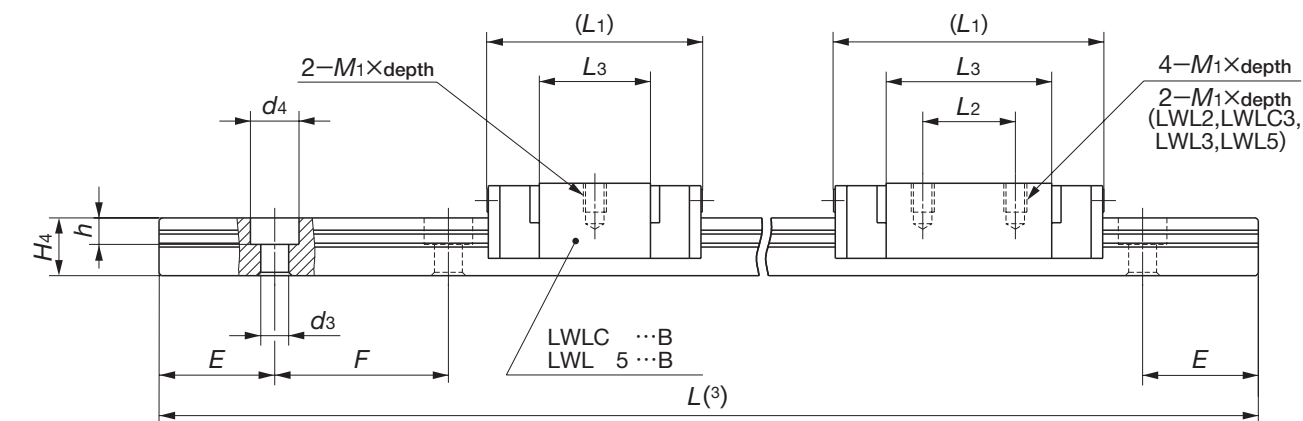
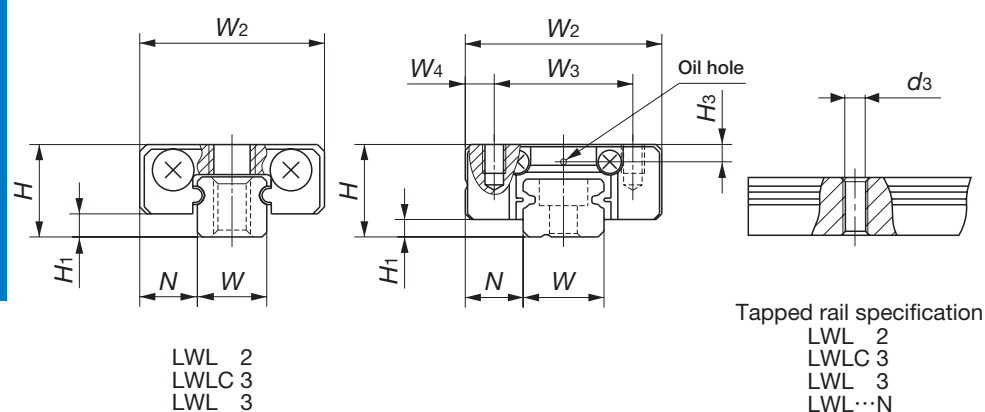
Bolt size (<i>d</i>)	Pitch of screw (<i>P</i>)	Dimension				<i>l</i>
		<i>d_k</i>	<i>k</i>	<i>s</i>	<i>t</i>	
M1.4	0.3	2.6	1.4	1.3	0.6	2.5, 3, 4
M1.6 (1)	0.35	3	1.6	1.5	0.7	4, 5, 6
M2 (1)	0.4	3.8	2	1.5	1	3, 4, 5

Note(1) : Based on JIS B 1176

IKO Linear Way L : Standard type



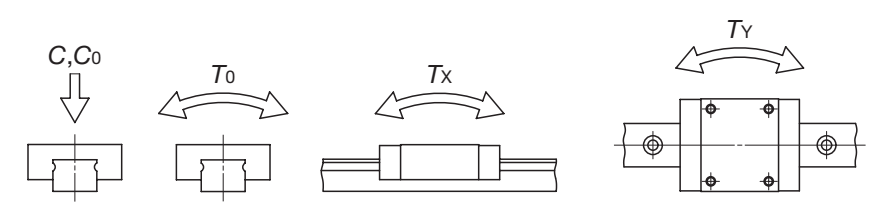
- Ball retained type
- LWLC...B
- LWL ...B
- LWLG...B
- Tapped rail specification
- LWLC...N
- LWL ...N
- LWLG...N
- Ball non-retained type
- LWLC
- LWL



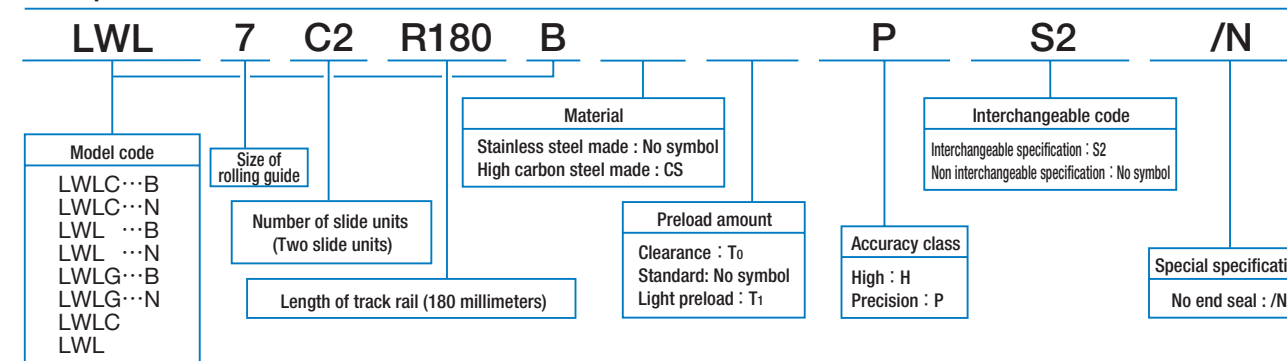
Model number	Interchangeable	Mass(Ref.) g		Dimensions of assembly mm			Dimensions of slide unit mm						
		Slide unit	Track rail (per 100 mm)	H	H ₁	N	W ₂	W ₃	W ₄	L ₁	L ₂	L ₃	M ₁ × depth
LWL 2 ⁽¹⁾		0.9	2.8	3.2	0.7	2	6	—	—	12.4	4	8.8	M1.4 × 1.1
LWLC 3 ⁽¹⁾		1.0	5.3	4	1	2.5	8	—	—	12	3.5	6.7	M1.6 × 1.3
LWL 3 ⁽¹⁾		1.6											
LWLC 5...B	☆	3.4	12	6	1	3.5	12	8	2	16	—	9.6	M2 × 1.5
LWLC 5...N			13										
LWL 5...B	☆	4.4	12	19	—	—	—	—	—	19.5	7	12.6	M2.6 × 2
LWL 5...N			13										
LWL 5		4.0	12	19	—	—	—	—	—	19.5	7	12.6	M2.6 × 2
LWLC 7...B	☆	7.1	22										
LWLC 7...N			10	24	8	1.5	5	17	12	2.5	23.5	8	14.3
LWL 7...B	☆	22											
LWL 7...N		14	24	31	12	21.6	23.5	8	14.3	23.5	8	14.3	M2 × 2.5
LWLG 7...B	☆		22										
LWLG 7...N		7.0	24	23.5	8	14.3	23.5	8	14.3	23.5	8	14.3	M2 × 2.5
LWL 7			24										

H ₃	Dimensions of track rail mm								Mounting bolt for track rail mm Bolt size × length	Basic dynamic load rating ⁽⁴⁾ C N	Basic static load rating ⁽⁴⁾ C ₀ N	Static moment rating ⁽⁴⁾		
	W	H ₄	d ₃	d ₄	h	E	F	T ₀ N·m				T _x N·m	T _y N·m	
—	2	2	M1 Through	—	—	4	8	M1 × ℓ ⁽²⁾ (not appended)	211	381	0.42	0.54 2.9	0.64 3.4	
—	3	2.6	M1.6 Through	—	—	5	10	M1.6 × ℓ ⁽²⁾ (not appended)	251 353	361 587	0.58 0.94	0.39 2.9 0.98 5.9	0.47 3.4 1.2 7.0	
1.2	5	3.7	2.4 Through	3.6	0.8	7.5	15	Cross recessed head screw for precision equipment M2 × 6 M2.5 × ℓ ⁽²⁾ (not appended)	562	841	2.2	1.4 8.5	1.2 7.2	
—			2.4 Through	3.6	0.8			Cross recessed head screw for precision equipment M2 × 6 M2.5 × ℓ ⁽²⁾ (not appended)	676	1 090	2.9	2.3 12.8	1.9 10.8	
—	7	5	2.4	3.6	1	7.5	15	Cross recessed head screw for precision equipment M2 × 6	567	917	2.4	1.9 11.1	2.3 13.2	
1.5			2.4	4.2	2.3			Hexagon socket head bolt M2 × 6 M3 × ℓ ⁽²⁾ (not appended)	937	1 140	4.1	1.8 14.9	1.5 12.5	
—	7	5	2.4	4.2	2.3	7.5	15	Hexagon socket head bolt M2 × 6 M3 × ℓ ⁽²⁾ (not appended)	1 330	1 890	6.9	4.7 28.2	3.9 23.6	
—			2.4	4.2	2.3			Hexagon socket head bolt M2 × 6 M3 × ℓ ⁽²⁾ (not appended)	1 690	2 650	9.7	8.8 50.7	7.4 42.5	
—	7	5	2.4	4.2	2.3	7.5	15	Hexagon socket head bolt M2 × 6	1 120	1 590	6.3	3.9 23.6	4.7 28.2	

Note⁽¹⁾: Size 2 and 3 models are not provided with end seals.
⁽²⁾: Prepare track rail mounting bolts with a fixing depth less than H₄.
⁽³⁾: Track rail lengths are shown in Table 10.1 on page B-12 and Table 10.3 on page B-14.
⁽⁴⁾: The directions of basic dynamic load rating (C), basic static load rating (C₀) and static moment rating (T₀, T_x, T_y) are shown in the sketches below. The upper values in the T_x and T_y columns apply to one slide unit, and the lower values apply to two slide units in close contact.
 Remark 1: The mark ☆ indicates that interchangeable specification products are available.
 2: The appended bolts for mounting track rails are hexagon socket head bolts of JIS B 1176 or equivalent, or cross recessed head screws for precision equipment. For stainless steel type Linear Way L, stainless steel bolts or screws are appended.
 3: The mounting bolts M2 or smaller are shown on page B-15. Consult IKO for further information.
 4: The ball non-retained type models (LWL2, LWLC3, LWL3, LWL5, LWL7) are not provided with an oil hole.
 5: The specification of oil hole is shown on page 99.



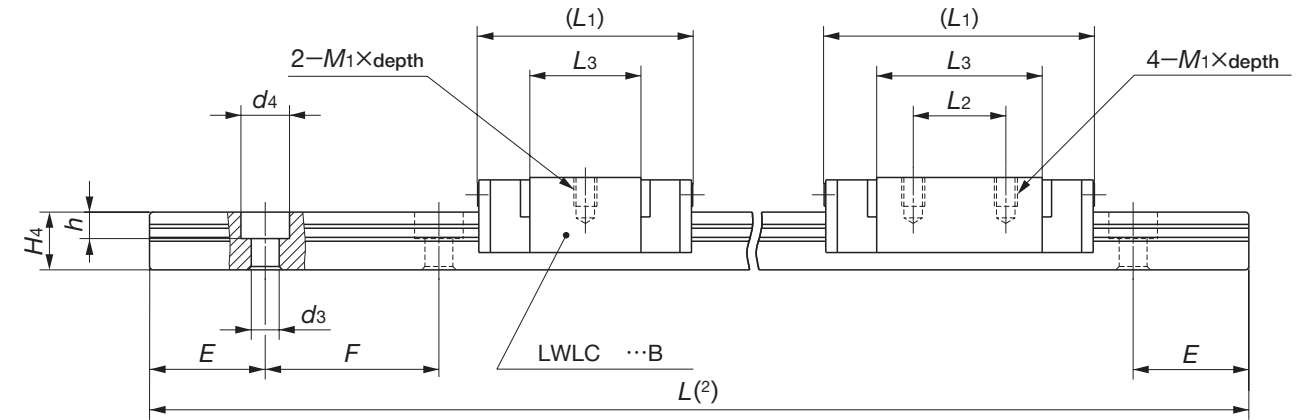
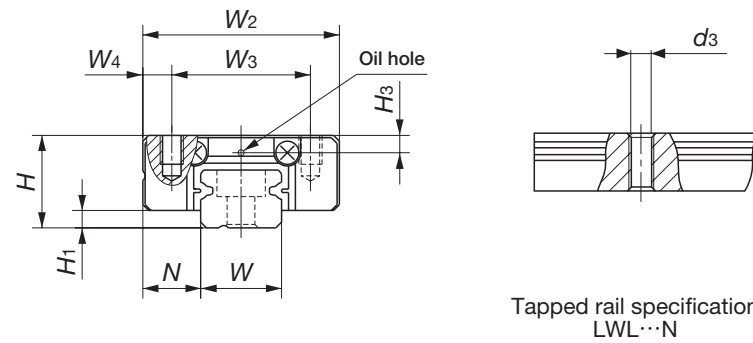
Example of identification number of assembled set (For details, see "Identification number and specification".)



IKO Linear Way L : Standard type

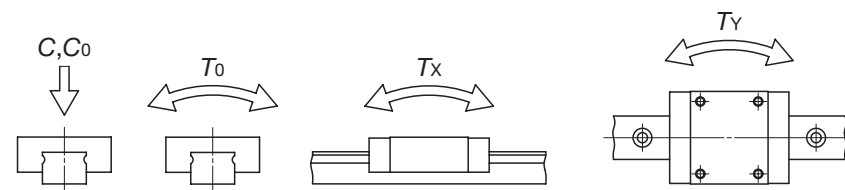


- Ball retained type**
- LWLC...B
- LWL ...B
- LWL ...B CS (High carbon steel made)
- LWLG...B
- Tapped rail specification**
- LWLC...N
- LWL ...N
- LWLG...N
- Ball non-retained type**
- LWL
- LWL ...CS (High carbon steel made)



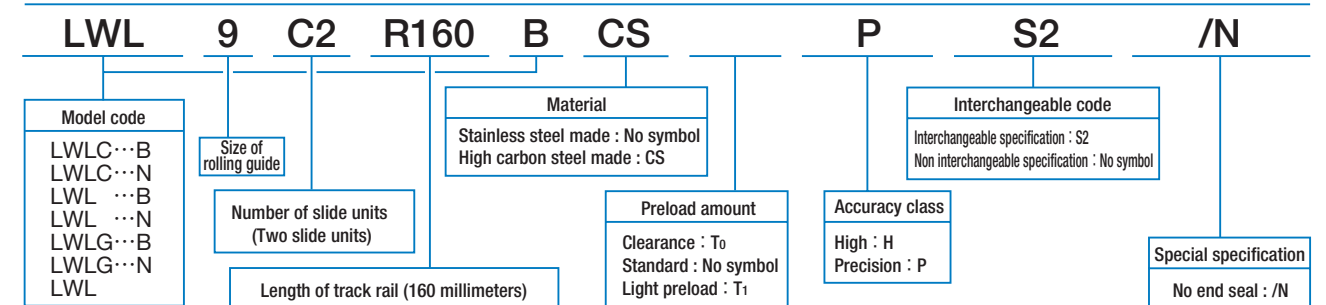
Model number	Interchangeable	Mass(Ref.) g		Dimensions of assembly mm			Dimensions of slide unit mm													
		Slide unit	Track rail (per 100 mm)	H	H ₁	N	W ₂	W ₃	W ₄	L ₁	L ₂	L ₃	M ₁ × depth							
LWLC 9...B	☆	11	35	10	2	5.5	20	15	2.5	21.5	—	11.9	M3 × 3							
LWLC 9...N			37																	
LWL 9...B	☆	19	35																	
LWL 9...B CS	☆		37																	
LWLG 9...B	☆	28	35													40.5	15	30.9		
LWLG 9...N			37																	
LWL 9		18	43													30	13	19.6	M2 × 2.5	
LWLC 12...B	☆	22	65													25	—	13	M3 × 3.5	
LWL 12...B	☆																			
LWL 12...B CS	☆	35															34	15		21.6
LWLG 12...B	☆	51								44	20	32								
LWL 12		34	75										M2.6 × 3							
LWL 12...CS											34	15	21	M3 × 3						

Note(1) : Prepare track rail mounting bolts with a fixing depth less H₄.
 (2) : Track rail lengths are shown in Table 10.1 on page B-12 and Table 10.3 on page B-14.
 (3) : The directions of basic dynamic load rating (C), basic static load rating (C₀) and static moment rating (T₀, T_x, T_y) are shown in the sketches below. The upper values in the T_x and T_y columns apply to one slide unit, and the lower values apply to two slide units in close contact.
 Remark 1 : The mark ☆ indicates that interchangeable specification products are available.
 2 : The appended bolts for mounting track rails are hexagon socket head bolts of JIS B 1176 or equivalent.
 For stainless steel type Linear Way L, stainless steel bolts are appended.
 3 : The ball non-retained type models (LWL9, LWL12, LWL12...CS) are not provided with an oil hole or grease nipple.
 4 : An oil hole is provided for size 9 and 12 models of ball retained type and tapped rail specification products.
 5 : The specification of oil hole is shown on page 99.



H ₃	Dimensions of track rail mm							Mounting bolt for track rail mm Bolt size × length	Basic dynamic load rating ⁽³⁾ C N	Basic static load rating ⁽³⁾ C ₀ N	Static moment rating ⁽³⁾		
	W	H ₄	d ₃	d ₄	h	E	F				T ₀ N·m	T _x N·m	T _y N·m
2.2	9	6	3.5	6	3.5	10	20	M3 × 8	1 180	1 480	6.9	2.9	2.4
			M4 Through	—	—			21.4					
			3.5	6	3.5			M3 × 8	1 810	2 760	12.8	9.1	7.6
			M4 Through	—	—			51.1					
3.5	6	3.5	M3 × 8	2 370	4 030	18.7	18.7	15.7					
M4 Through	—	—	98.3						82.5				
—	—	6.5	2.6	4.5	3	—	M2.3 × 8	2 070	2 820	14.1	9.3	11.1	
2.7	12	8	3.5	6.5	4.5	12.5	25	M3 × 8	2 210	2 380	14.8	5.3	4.5
									3 330	4 290	26.6	15.4	12.9
—	—	8.5	3	5.5	3.5	—	—	M2.6 × 10	4 310	6 200	38.4	30.6	25.7
			3.5	6.5	4.5				168	141			
—	—	—	—	—	—	—	—	M3 × 10	2 860	3 530	23.3	12.0	14.3
—	—	—	—	—	—	—	—	—	—	—	—	78.0	92.9

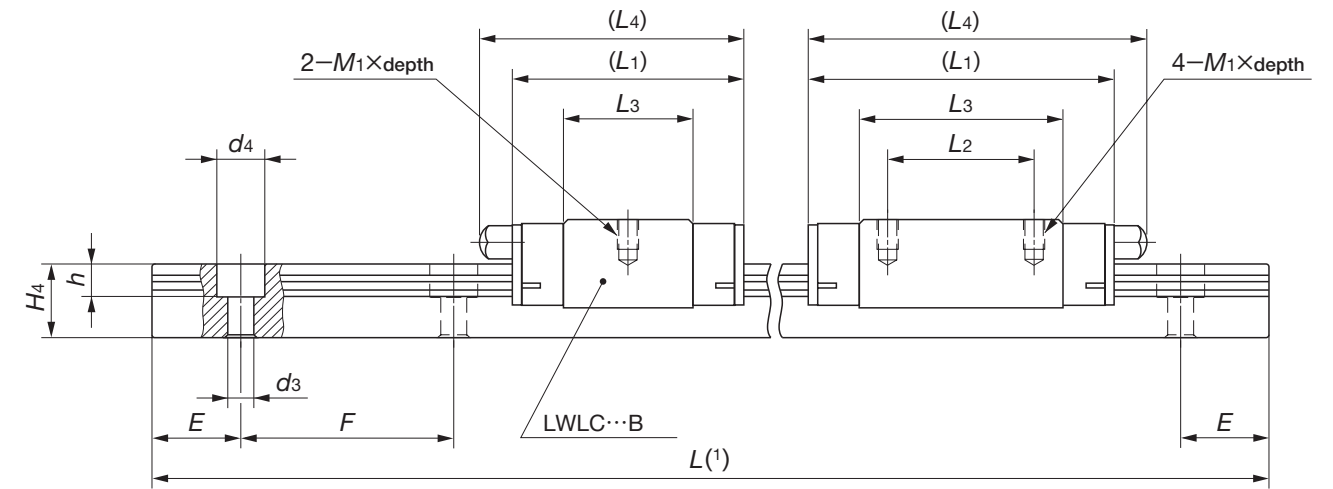
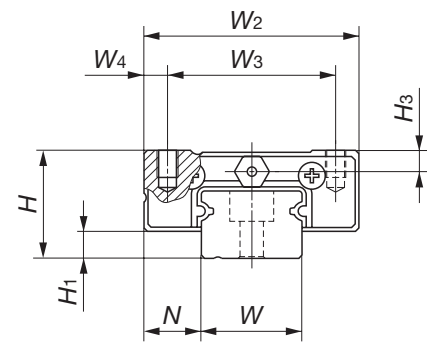
Example of identification number of assembled set (For details, see "Identification number and specification".)



IKO Linear Way L : Standard type

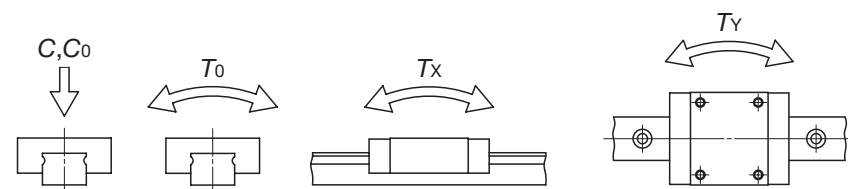


- Ball retained type**
- LWLC...B
- LWL ...B
- LWL ...B CS (High carbon steel made)
- LWLG...B
- Ball non-retained type**
- LWL
- LWL ...CS (High carbon steel made)



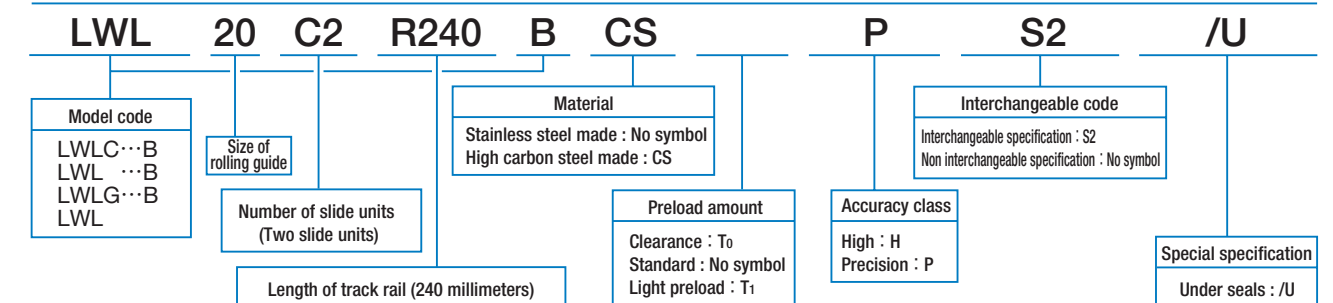
Model number	Interchangeable	Mass (Ref.) g		Dimensions of assembly mm			Dimensions of slide unit mm							
		Slide unit	Track rail (per 100 mm)	H	H1	N	W2	W3	W4	L1	L2	L3	L4	M1 x depth
LWLC 15...B	☆	42	107	16	4	8.5	32	25	3.5	32	—	17.7	36	M3 x 4
LWL 15...B	☆	64								42	20	27.8	47	
LWL 15...B CS	☆	95								57	25	42.7	62	
LWLG 15...B	☆	95	130	16	4	8.5	32	25	3.5	57	25	42.7	62	M3 x 4
LWL 15		57								42	20	26.8	—	
LWLC 20...B	☆	89	156	20	5	10	40	30	5	38	—	22.3	42	M4 x 6
LWL 20...B	☆	133								50	25	34.6	55	
LWL 20...B CS	☆	196								68	30	52.3	72	
LWLG 20...B	☆	196	243	25	5	12.5	48	35	6.5	55	—	31.9	65	M6 x 7
LWLC 25...B	☆	190								78	35	55.7	89	
LWL 25...B	☆	310								98	40	75.5	108	
LWLG 25...B	☆	413												

Note(1) : Track rail lengths are shown in Table 10.1 on page B-12 and Table 10.3 on page B-14.
 (2) : The directions of basic dynamic load rating (C), basic static load rating (C0) and static moment rating (T0, Tx, Ty) are shown in the sketches below. The upper values in the Tx and Ty columns apply to one slide unit, and the lower values apply to two slide units in close contact.
 Remark 1 : The mark ☆ indicates that interchangeable specification products are available.
 2 : The appended bolts for mounting track rails are hexagon socket head bolts of JIS B 1176 or equivalent. For stainless steel type Linear Way L, stainless steel bolts are appended.
 3 : The ball non-retained type models (LWL15, LWL15...CS) are not provided with an oil hole or grease nipple.
 4 : The specifications of oil hole and grease nipple are shown on page 97.



H3	Dimensions of track rail mm							Mounting bolt for track rail mm Bolt size x length	Basic dynamic load rating(2) C N	Basic static load rating(2) C0 N	Static moment rating(2)		
	W	H4	d3	d4	h	E	F				T0 N·m	Tx N·m	Ty N·m
3.1	15	10	3.5	6.5	4.5	20	40	M3 x 10	3 490	3 890	30.0	11.7 84.5	9.8 70.9
									4 980	6 490	50.0	29.7 172	24.9 144
—		11						M3 x 12	4 760	5 690	47.2	24.6 155	29.4 184
4.2	20	11	6	9.5	5.5	30	60	M5 x 14	4 580	5 300	54.0	19.4 134	16.3 112
									6 650	9 080	92.6	52.7 280	44.2 235
5	23	15	7	11.0	9.0	30	60	M6 x 16	9 120	10 600	128	57.4 380	48.1 319
									13 500	18 500	223	163 887	137 744
									16 700	25 200	303	293 1 480	246 1 240

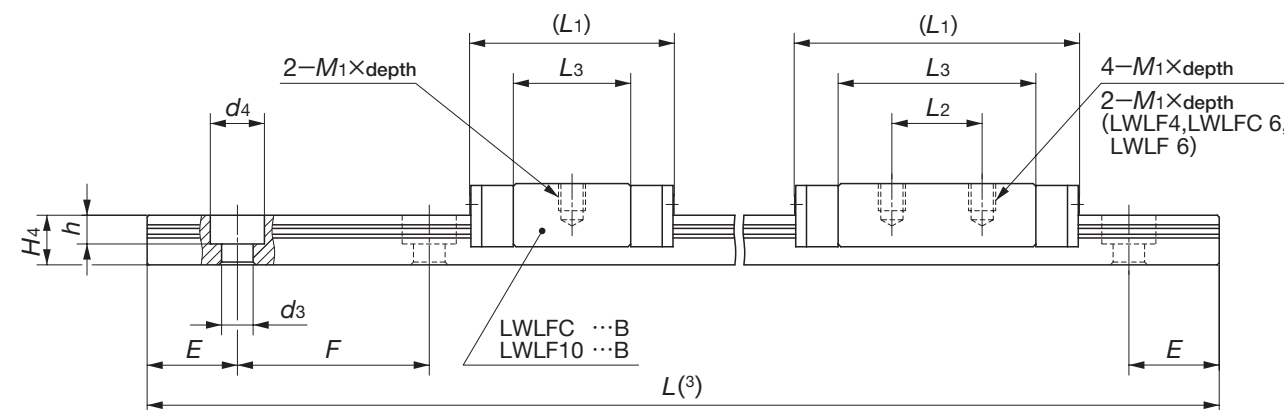
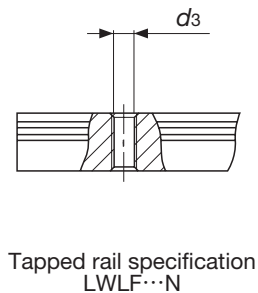
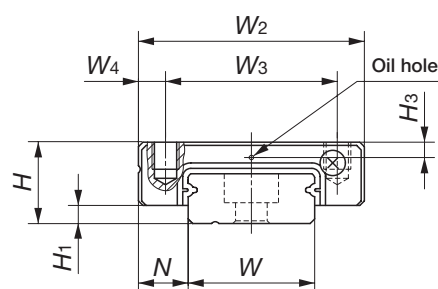
Example of identification number of assembled set (For details, see "Identification number and specification".)



IKO Linear Way L : Wide rail type

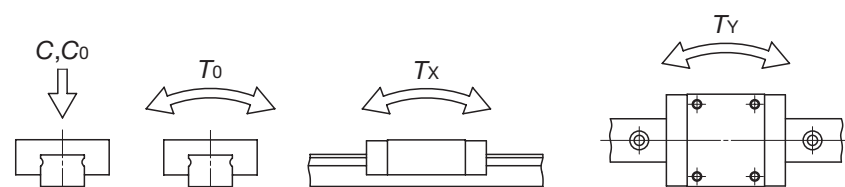


- Ball retained type
- LWLFC...B
- LWLF ...B
- LWLFG...B
- Tapped rail specification
- LWLFC...N
- LWLF ...N
- LWLFG...N
- Ball non-retained type
- LWLFC
- LWLF



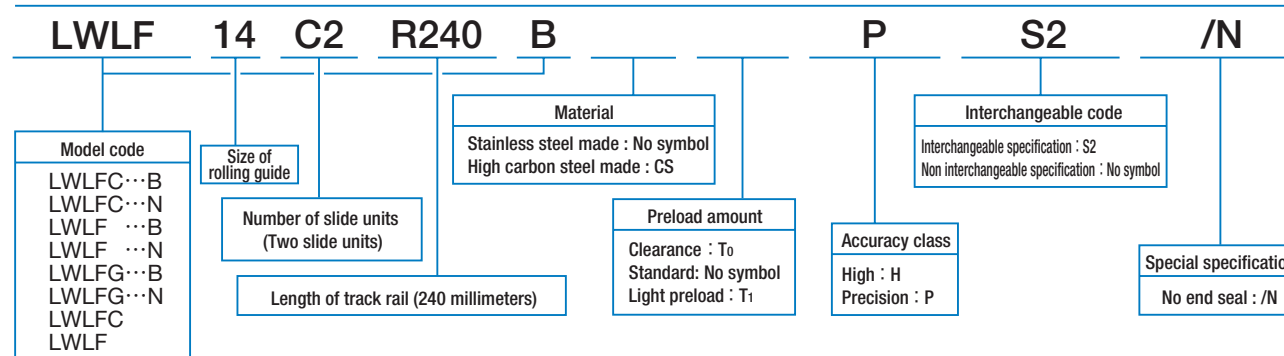
Model number	Interchangeable	Mass (Ref.) g		Dimensions of assembly mm			Dimensions of slide unit mm						
		Slide unit	Track rail (per 100 mm)	H	H ₁	N	W ₂	W ₃	W ₄	L ₁	L ₂	L ₃	M ₁ × depth
LWLF 4 ⁽¹⁾		2.1	6.8	4	1	3	10	—	5	17	6.5	11.9	M2 × 1.3
LWLFC 6 ⁽¹⁾		2.4	13	4.5	1	3	12	—	6	15	4.5	9.8	M2 × 1.6
LWLFC 6...N ⁽¹⁾	12												
LWLF 6 ⁽¹⁾		3.4	13	6.5	1.5	3.5	17	13	2	20	8	14.6	M2.5 × 1.5
LWLF 6...N ⁽¹⁾	12												
LWLFC 10...B	☆	5.9	28	9	2	5.5	25	19	3	20.5	—	13.6	M2.5 × 1.5
LWLFC 10...N	29												
LWLF 10...B	☆	7.5	28	9	2	5.5	25	19	3	24.5	—	17.6	M3 × 3
LWLF 10...N	29												
LWLFC 14...B	☆	13	54	9	2	5.5	25	19	3	22.5	—	13	M3 × 3
LWLFC 14...N	56												
LWLF 14...B	☆	21	54	9	2	5.5	25	19	3	31.5	10	22	M3 × 3
LWLF 14...N	56												
LWLFG 14...B	☆	31	54	9	2	5.5	25	19	3	42	19	32.5	M2.6 × 3
LWLFG 14...N	56												
LWLF 14		23	53	1.7						31.5	10	21.9	M2.6 × 3

Note⁽¹⁾ : Size 4 and 6 models are not provided with end seals.
⁽²⁾ : Prepare track rail mounting bolts with a fixing depth less H₄.
⁽³⁾ : Track rail lengths are shown in Table 10.2 on page B-13 and Table 10.3 on page B-14.
⁽⁴⁾ : The directions of basic dynamic load rating (C), basic static load rating (C₀) and static moment rating (T₀, T_x, T_y) are shown in the sketches below. The upper values in the T_x and T_y columns apply to one slide unit, and the lower values apply to two slide units in close contact.
 Remark 1 : The mark ☆ indicates that interchangeable specification products are available.
 2 : The appended bolts for mounting track rails are hexagon socket head bolts of JIS B 1176 or equivalent, or cross-recessed head screws for precision equipment.
 For stainless steel type Linear Way L, stainless steel bolts or screws are appended.
 3 : The mounting bolts M2 or smaller are shown on page B-15. Consult IKO for further information.
 4 : The ball non-retained type models (LWLF4, LWLFC6, LWLF6, LWLF14) are not provided with an oil hole.
 5 : The specification of oil hole is shown on page 99.



H ₃	Dimensions of track rail mm								Mounting bolt for track rail mm Bolt size × length	Basic dynamic load rating ⁽⁴⁾ C N	Basic static load rating ⁽⁴⁾ C ₀ N	Static moment rating ⁽⁴⁾		
	W	H ₄	d ₃	d ₄	h	E	F	T ₀ N·m				T _x N·m	T _y N·m	
—	4	2.6	1.8	2.8	0.75	5.0	10	Cross recessed head screw for precision equipment M1.6 × 5	390	677	1.4	1.3 7.1	1.5 8.4	
—	6	2.8	2.4	4	1.5	7.5	15	Cross recessed head screw for precision equipment M2 × 4	334	542	1.7	0.84 5.1	1.0 6.1	
			M3 Through	—	—			M3 × ℓ ⁽²⁾ (not appended)						
—	6	2.8	2.4	4	1.5	7.5	15	Cross recessed head screw for precision equipment M2 × 4	443	813	2.5	1.8 9.9	2.2 11.8	
			M3 Through	—	—			M3 × ℓ ⁽²⁾ (not appended)						
1.3	10	4	2.9	4.8	1.6	10	20	Cross recessed head screw for precision equipment M2.5 × 7	712	1 180	6.1	2.6 14.9	2.2 12.5	
			M3 Through	—	—			M3 × ℓ ⁽²⁾ (not appended)						
—	10	4	2.9	4.8	1.6	10	20	Cross recessed head screw for precision equipment M2.5 × 7	849	1 510	7.8	4.2 22.4	3.5 18.8	
			M3 Through	—	—			M3 × ℓ ⁽²⁾ (not appended)						
1.7	14	5.5	3.5	6	3.2	15	30	Hexagon socket head bolt M3 × 8	1 240	1 700	12.2	3.8 24.6	3.2 20.7	
			M4 Through	—	—			M4 × ℓ ⁽²⁾ (not appended)						
—	14	5.5	3.5	6	3.2	15	30	Hexagon socket head bolt M3 × 8	1 770	2 840	20.3	10.1 54.7	8.4 45.9	
			M4 Through	—	—			M4 × ℓ ⁽²⁾ (not appended)						
—	—	5.2	3.5	6	3.2	—	—	Hexagon socket head bolt M3 × 6	1 490	2 380	17.7	8.4 45.9	10.1 54.7	

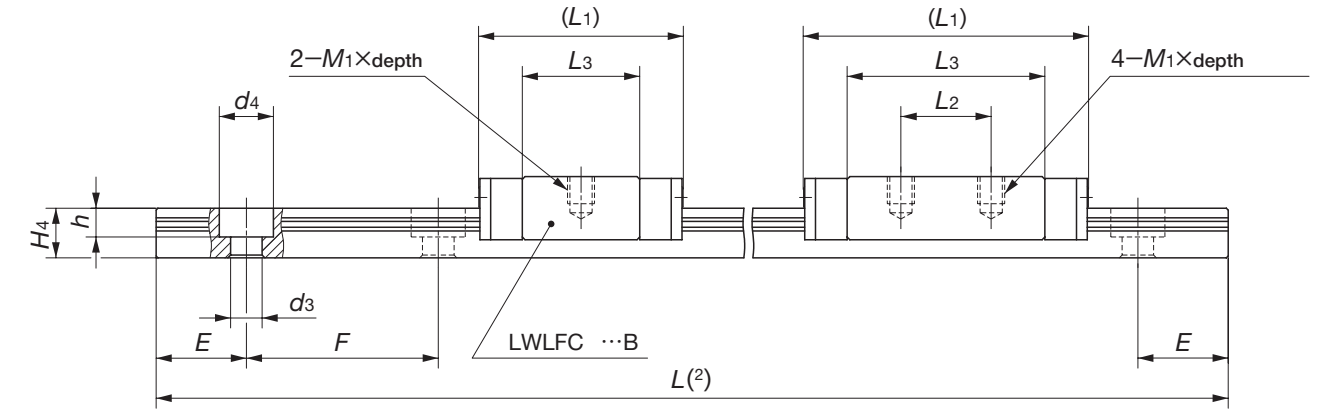
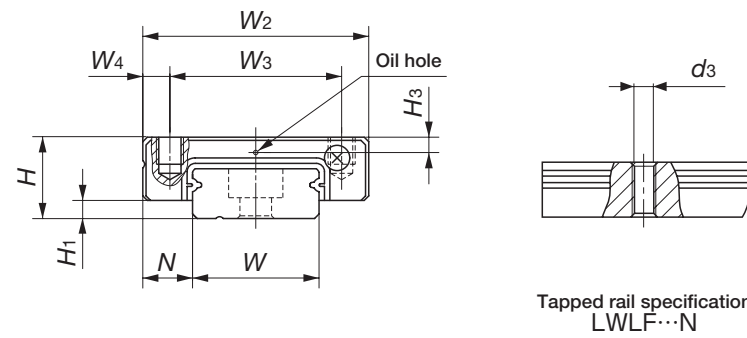
Example of identification number of assembled set (For details, see "Identification number and specification".)



IKO Linear Way L : Wide rail type

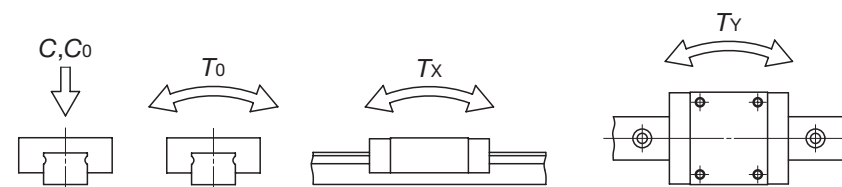


- Ball retained type**
- LWLF $\overline{\text{C}}$ ···B
- LWLF ···B
- LWLF ···B CS (High carbon steel made)
- LWLF $\overline{\text{G}}$ ···B
- Tapped rail specification**
- LWLF $\overline{\text{C}}$ ···N
- LWLF ···N
- LWLF $\overline{\text{G}}$ ···N
- Ball non-retained type**
- LWLF
- LWLF ···CS (High carbon steel made)



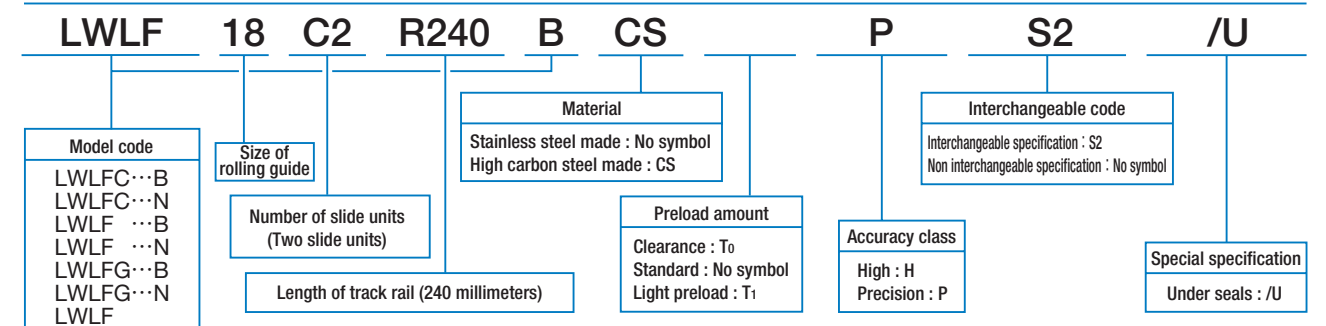
Model number	Interchangeable	Mass (Ref.) g		Dimensions of assembly mm			Dimensions of slide unit mm																
		Slide unit	Track rail (per 100 mm)	H	H ₁	N	W ₂	W ₃	W ₄	L ₁	L ₂	L ₃	M ₁ × depth										
LWLF $\overline{\text{C}}$ 18···B	☆	26	90	12	3	6	30	21	4.5	39	12	28.6	M3 × 3	26.5	—	16.6							
LWLF $\overline{\text{C}}$ 18···N			92																				
LWLF 18···B	☆	44	90																				
LWLF 18···BCS	☆		92																				
LWLF $\overline{\text{G}}$ 18···B	☆	61	90											23	3.5	50.5	24	40.4	M2.6 × 3				
LWLF $\overline{\text{G}}$ 18···N			92																				
LWLF 18		39	98											21	4.5	39	12	27.6	M3 × 3				
LWLF 18···CS																							
LWLF $\overline{\text{C}}$ 24···B	☆	45	139											14	3	8	40	28	6	30.5	—	17.7	M3 × 3.5
LWLF 24···B	☆	76																					
LWLF 24···BCS	☆	111																					
LWLF $\overline{\text{G}}$ 24···B	☆	111																					
LWLF 24		74	150	44	15	31	M3 × 3																
LWLF 24···CS																							

Note(1) : Prepare track rail mounting bolts with a fixing depth less H_4 .
 (2) : Track rail lengths are shown in Table 10.2 on page B-13 and Table 10.3 on page B-14.
 (3) : The directions of basic dynamic load rating (C), basic static load rating (C_0) and static moment rating (T_0 , T_x , T_y) are shown in the sketches below. The upper values in the T_x and T_y columns apply to one slide unit, and the lower values apply to two slide units in close contact.
 Remark 1 : The mark ☆ indicates that interchangeable specification products are available.
 2 : The appended bolts for mounting track rails are hexagon socket head bolts of JIS B 1176 or equivalent. For stainless steel type Linear Way L, stainless steel bolts are appended.
 3 : The ball non-retained type models (LWLF18, LWLF18···CS, LWLF24, LWLF24···CS) are not provided with an oil hole or grease nipple.
 4 : An oil hole is provided for size 18 and 24 models of ball retained type and tapped rail specification products.
 5 : The specification of oil hole is shown on page 99.



H ₃	Dimensions of track rail mm							Mounting bolt for track rail mm Bolt size × length	Basic dynamic load rating ⁽³⁾ C N	Basic static load rating ⁽³⁾ C_0 N	Static moment rating ⁽³⁾			
	W	H ₄	d ₃	d ₄	h	E	F				T_0 N·m	T_x N·m	T_y N·m	
2.5	18	7	3.5	6.5	4.5	15	30	M3 × 8	1 510	2 120	19.4	5.5	35.9	4.7
			M4 Through	—	—			M4 × ℓ ⁽¹⁾ (not appended)						
			3.5	6.5	4.5			M3 × 8	2 280	3 810	34.9	16.9	90.1	14.2
			M4 Through	—	—			M4 × ℓ ⁽¹⁾ (not appended)						
3.5	6.5	4.5	M3 × 8	2 870	5 300	48.5	31.9	159	26.7					
M4 Through	—	—	M4 × ℓ ⁽¹⁾ (not appended)											
—	—	7.5	3.5	6.5	4.5	—	—	M3 × 8	2 620	3 950	37.5	17.5	94.4	20.9
3.2	24	8	4.5	8	4.5	20	40	M4 × 10	2 800	3 340	40.7	9.7	8.2	
									4 310	6 200	75.6	30.6	25.7	
									5 620	9 060	111	63.3	53.1	
—	—	8.5	—	—	—	—	—	—	3 790	5 290	66.7	25.6	145	30.5

Example of identification number of assembled set (For details, see "Identification number and specification".)

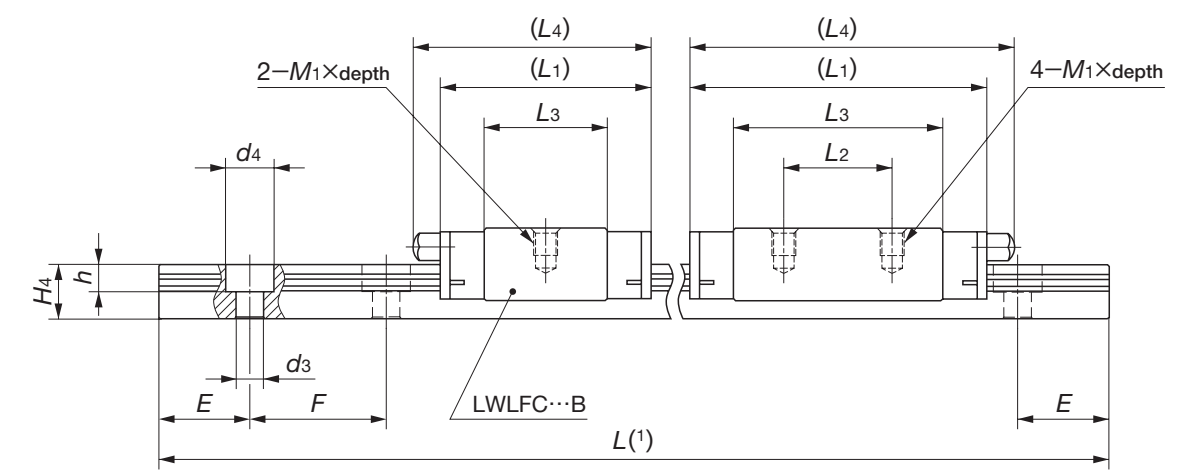
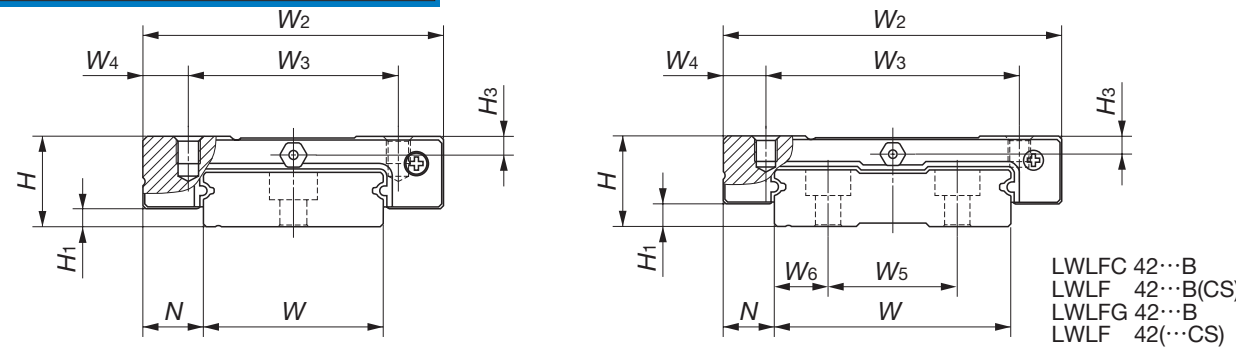


IKO Linear Way L : Wide rail type



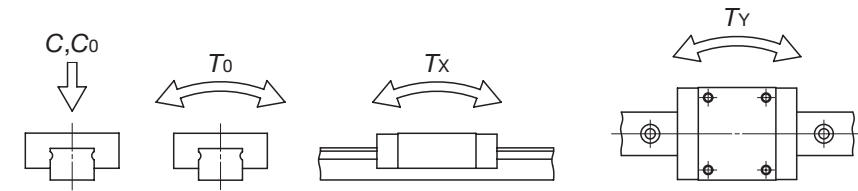
Ball retained type
LWLFC...B
LWLF ...B
LWLF ...B CS (High carbon steel made)
LWLFG...B

Ball non-retained type
LWLF
LWLF ...CS (High carbon steel made)



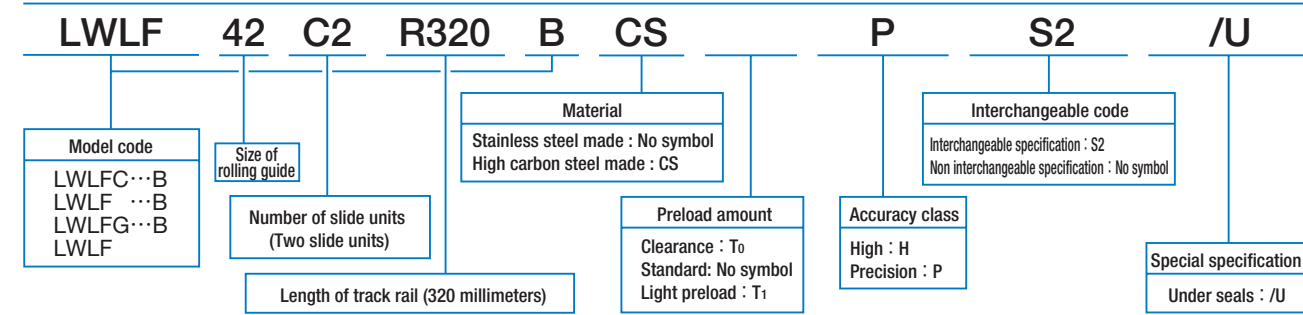
Model number	Interchangeable	Mass (Ref.) g		Dimensions of assembly mm			Dimensions of slide unit mm							
		Slide unit	Track rail (per 100 mm)	H	H1	N	W2	W3	W4	L1	L2	L3	L4	M1×depth
LWLFC 30...B	☆	70	198	15	3	10	50	35	7.5	35.5	—	20.5	40	M4×4.5
LWLF 30...B	☆	112								50	18	34.8	54	
LWLF 30...B CS	☆	170								68.5	35	53.8	73	
LWLFG 30...B	☆	170	294	16	9	60	45	7.5	41.5	—	25.3	46	M4×4.5	
LWLFC 42...B	☆	95							55	20	39	60		
LWLF 42...B	☆	140							74.5	35	58.3	79		
LWLF 42...B CS	☆	204							55	20	39.5	—		
LWLFG 42...B	☆	204	300	3					55	20	39.5	—		
LWLF 42		140												
LWLF 42...CS		140	300	3					55	20	39.5	—		

Note(1) : Track rail lengths are shown in Table 10.2 on page B-13 and Table 10.3 on page B-14.
 (2) : The directions of basic dynamic load rating (C), basic static load rating (Co) and static moment rating (T0, Tx, Ty) are shown in the sketches below. The upper values in the Tx and Ty columns apply to one slide unit, and the lower values apply to two slide units in close contact.
 Remark 1 : The mark ☆ indicates that interchangeable specification products are available.
 2 : The appended bolts for mounting track rails are hexagon socket head bolts of JIS B 1176 or equivalent. For stainless steel type Linear Way L, stainless steel bolts are appended.
 3 : The ball non-retained type models (LWLF 42, LWLF 42...CS) are not provided with an oil holes or grease nipple.
 4 : The specifications of oil hole and grease nipple are shown on page 97.



H3	Dimensions of track rail mm										Mounting bolt for track rail mm Bolt size × length	Basic dynamic load rating(2) C N	Basic static load rating(2) Co N	Static moment rating(2)			
	W	H4	W5	W6	d3	d4	h	E	F	T0				Tx	Ty		
	N	N	N	N	N	N	N	N	N	N·m				N·m	N·m		
3.1	30	9	—	—	4.5	8	4.5	20	40	M4 × 12	3 890	4 540	69.1	15.4	13.0	89.9	
											5 970	8 440	128	48.7	40.8	217	
											7 810	12 300	187	100	84.3	426	
3.2	42	10	23	9.5	4.5	8	4.5	20	40	M4 × 12	5 030	6 050	128	24.8	20.8	137	
											7 050	9 840	209	61.3	51.4	280	
											9 200	14 400	305	126	106	541	
—	—	—	—	—	—	—	—	—	—	—	6 320	8 540	186	52.4	62.4	291	347

Example of identification number of assembled set (For details, see "Identification number and specification".)



Compact Type Linear Way

U.S. PATENTED

Linear Way E

LWE/LWET/LWES

IKD Linear Way E is a linear motion rolling guide, featuring a compact slide unit which performs endless linear motion along a track rail. Two rows of steel balls are arranged in four point contact with the raceways. This design ensures stable high accuracy and rigidity in operations even under fluctuating loads with changing direction and magnitude or complex loads. A wide range of variations in shapes and sizes are available. This series is a compact type suitable for general applications.

Interchangeable

Linear Way E includes interchangeable specification products. The dimensions of slide units and track rails of this specification are individually controlled, so that the slide units and track rails can be combined, added or exchanged freely.

Variable lengths of slide unit

In addition to the standard slide unit, a short type slide unit and a high rigidity long type slide unit both having the same sectional dimensions with the standard slide unit are available.

Compact design

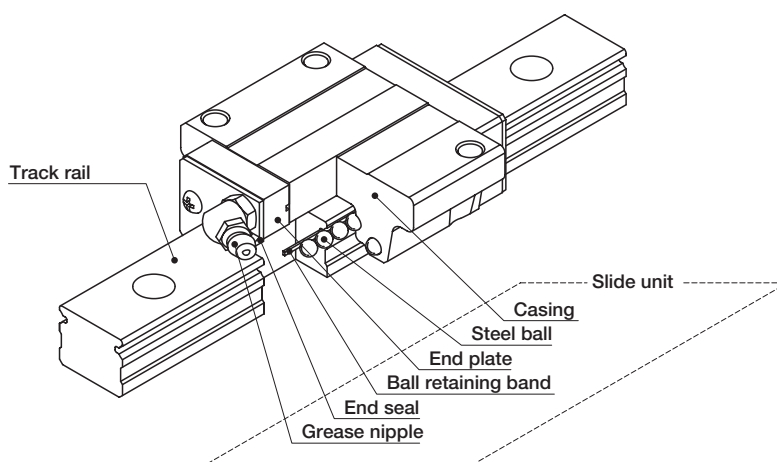
Lower, narrower, and shorter. Compactness has been pursued in every dimension.

Stainless steel type

The stainless steel type has excellent corrosion resistance and is most suitable for machines and equipment used in clean environments, for example, medical equipment, disk read devices and semiconductor manufacturing equipment.

Flange type and block type

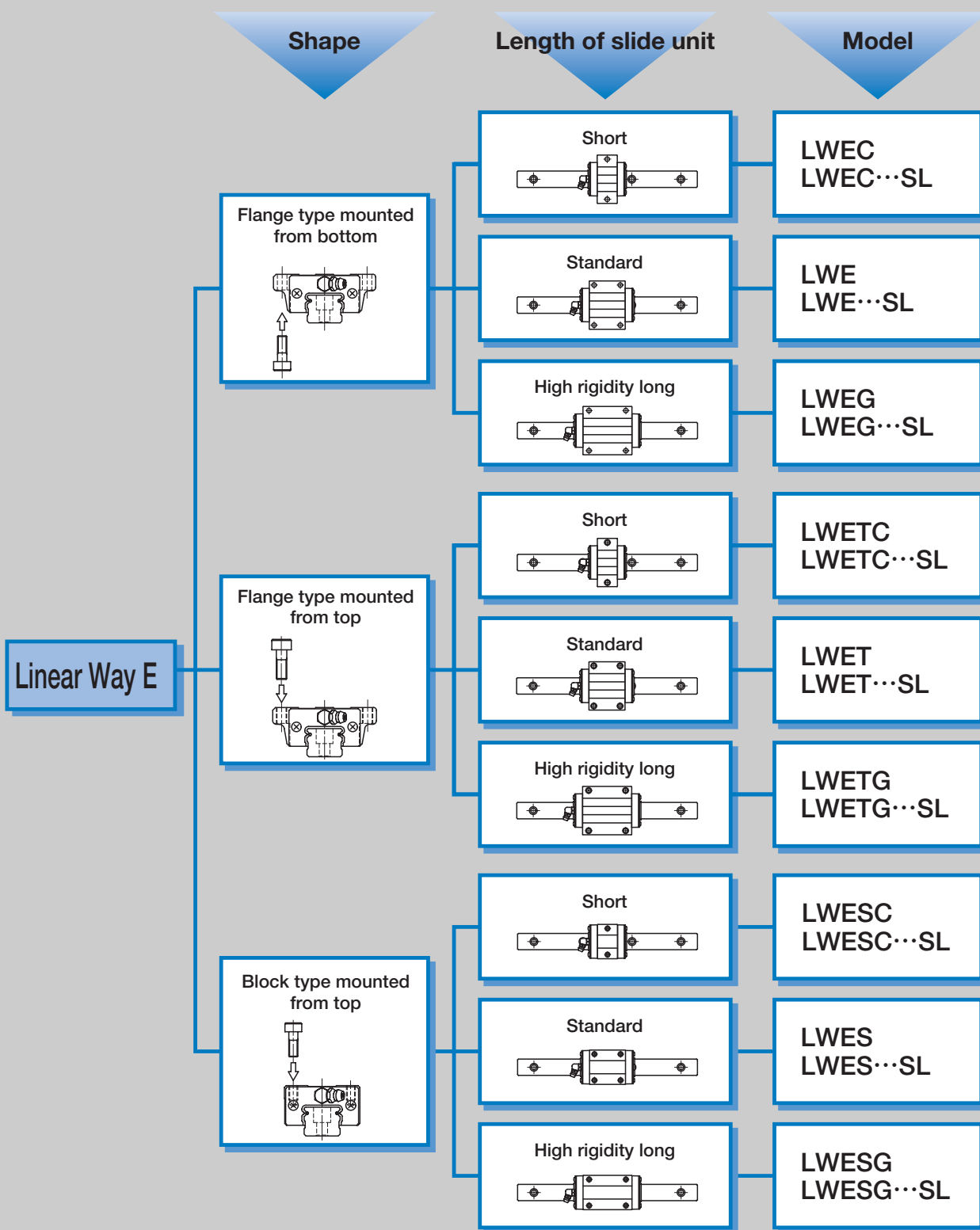
Slide units are available in three different sectional shapes; two flange types for different mounting directions and one block type with a narrow width.



U.S. PATENT No.6,176,617
No.5,962,667
No.4,652,147
No.4,610,488
No.4,505,522

Structure of Linear Way E

Linear Way E series



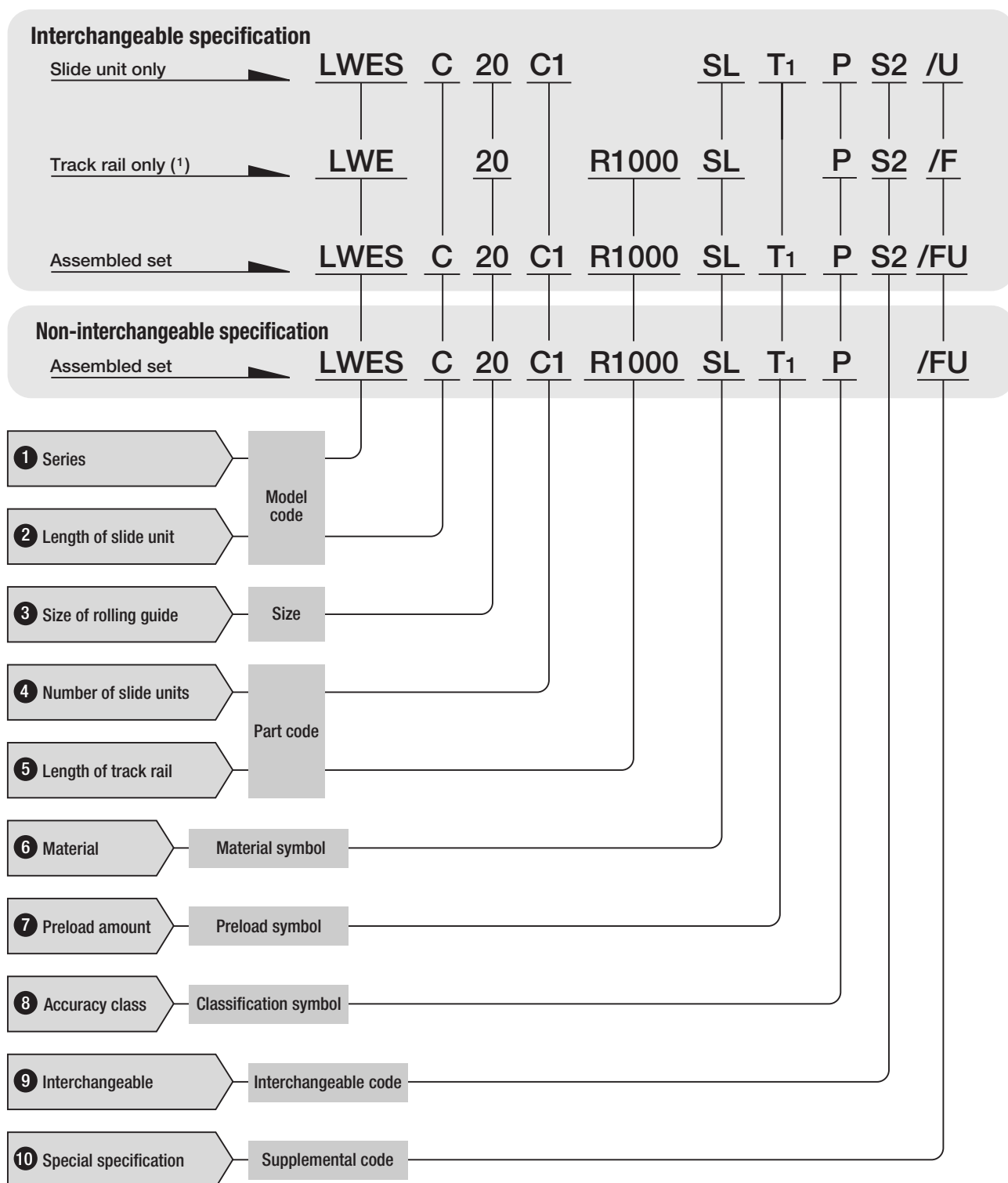
Remark : Models with "SL" are stainless steel type.

B
LWE, LWET, LWES

1N=0.102kgf=0.2248lbs.
1mm=0.03937inch

● Identification number and specification

The specification of Linear Way E is indicated by the identification number, consisting of a model code, a size, a part code, a material symbol, a preload symbol, a classification symbol, an interchangeable code and any supplemental codes. For details of each specification, see page 76.



Note(1) : For the model code of a single track rail of interchangeable specification, indicate "LWE" regardless of the slide unit type to be combined.

1 Series

Flange type mounted from bottom : **LWE**
 Flange type mounted from top : **LWET**
 Block type mounted from top : **LWES**

2 Length of slide unit

Short : **C**
 Standard : No symbol
 High rigidity long : **G**

For available slide unit models, materials and sizes, see Tables 1.1 to 1.3.

3 Size of rolling guide

4 Number of slide units

Assembled set : **C**○
 Slide unit only : **C1**

For an assembled set, indicate the number of slide units assembled on one track rail. For a slide unit, only "C1" can be indicated.

5 Length of track rail

Assembled set : **R**○
 Track rail only : **R**○

Indicate the length of track rail in mm. For standard and maximum lengths, see "Track rail length" on page B-40 to B-41.

6 Material

High carbon steel made : No symbol
 Stainless steel made : **SL**

For available material types, see Tables 1.1, 1.2 and 1.3 on page B-32.

B
LWE, LWET, LWES

Models and sizes of Linear Way E

Table 1.1 Flange type mounted from bottom

Model Size	High carbon steel made			Stainless steel made		
	Short LWEC	Standard LWE	High rigidity long LWEG	Short LWEC···SL	Standard LWE···SL	High rigidity long LWEG···SL
15	☆	☆	☆	☆	☆	☆
20	☆	☆	☆	☆	☆	☆
25	☆	☆	☆	☆	☆	☆
30	☆	☆	☆	☆	☆	☆
35	☆	☆	—	—	—	—
45	—	☆	—	—	—	—

Table 1.2 Flange type mounted from top

Model Size	High carbon steel made			Stainless steel made		
	Short LWETC	Standard LWET	High rigidity long LWETG	Short LWETC···SL	Standard LWET···SL	High rigidity long LWETG···SL
15	☆	☆	☆	☆	☆	☆
20	☆	☆	☆	☆	☆	☆
25	☆	☆	☆	☆	☆	☆
30	☆	☆	☆	☆	☆	☆
35	☆	☆	—	—	—	—
45	—	☆	—	—	—	—

Table 1.3 Block type mounted from top

Model Size	High carbon steel made			Stainless steel made		
	Short LWESC	Standard LWES	High rigidity long LWESG	Short LWESC···SL	Standard LWES···SL	High rigidity long LWESG···SL
15	☆	☆	☆	☆	☆	☆
20	☆	☆	☆	☆	☆	☆
25	☆	☆	☆	☆	☆	☆
30	☆	☆	☆	☆	☆	☆
35	☆	☆	—	—	—	—
45	—	☆	—	—	—	—

Remark : The mark ☆ indicates that interchangeable specification products are available.

7 Preload amount

Clearance : **T_C** Specify this item for an assembled set or a single slide unit.
 Standard : No symbol
 Light preload : **T₁**
 Medium preload : **T₂**
 For applicable combinations of accuracy and preload amount, see Table 2. For details of preload amount, see page 84.

8 Accuracy class

Ordinary : No symbol
 High : **H**
 Precision : **P**
 Super precision : **SP**
 For applicable combinations of accuracy and preload amount, see Table 2. In case of interchangeable specification products, assemble slide units and track rails of the same class. For details of accuracy, see page 79.

Table 2 Accuracy class and preload

Accuracy class (Symbol) / Preload (Symbol)	Ordinary (No symbol)	High (H)	Precision (P)	Super precision (SP)
Clearance (T _C)	☆	—	—	—
Standard (No symbol)	☆	☆	☆	○
Light preload (T ₁)	—	☆	☆	○
Medium preload (T ₂)	—	○	○	○

Remark : The mark ☆ indicates that interchangeable specification products are available.

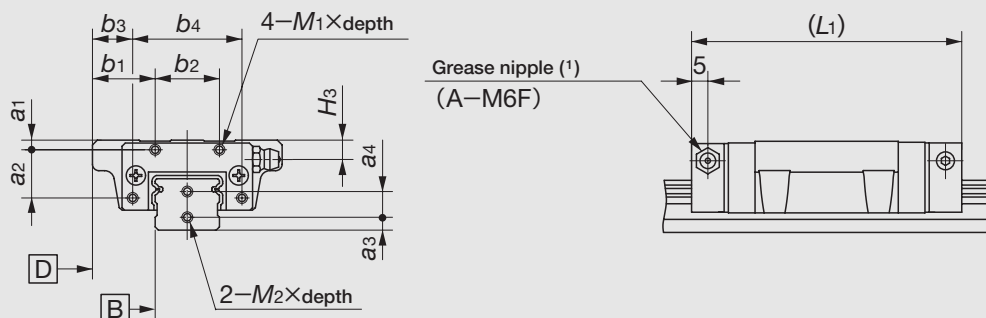
9 Interchangeable code

Select group 1 : **S1**
 Select group 2 : **S2**
 Specify this item for interchangeable specification products. Assemble track rails and slide units with the same interchangeable code. Performance and accuracy of "S1" group and "S2" group are the same.

10 Special specification

For applicable special specifications, see Table 3. When several special specifications are required, see Table 4. For details of special specifications, see page 86.

Table 5.1 Female threads for bellows for flange type slide unit (Supplemental code /J, /JJ)



unit : mm

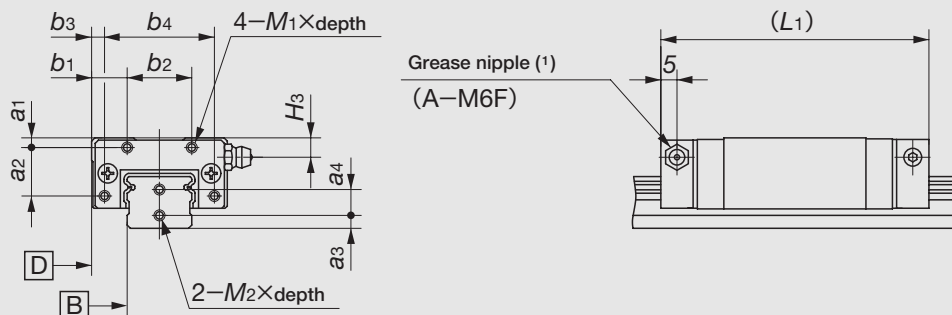
Model number	Slide unit									Track rail		
	a_1	a_2	b_1	b_2	b_3	b_4	$M_1 \times \text{depth}$	$L_1^{(2)}$	H_3	a_3	a_4	$M_2 \times \text{depth}$
LWE (T) C 15	3	12	18	16	12	28	M3×6	58	5.7	4	7	M3× 6
LWE (T) 15								74				
LWE (T) G 15								87				
LWE (T) C 20	3	15	19.5	20	12.5	34	M3×6	64	6	4	8	M3× 6
LWE (T) 20								83				
LWE (T) G 20								99				
LWE (T) C 25	3.5	17	23.5	26	16.5	40	M3×6	76	7	5	9	M4× 8
LWE (T) 25								100				
LWE (T) G 25								119				
LWE (T) C 30	5	17	28	34	20	50	M3×6	83	11	6	14	M4× 8
LWE (T) 30								112				
LWE (T) G 30								144				
LWE (T) C 35	6	20	30	40	20	60	M3×6	93	13	7	15	M4× 8
LWE (T) 35								126				
LWE (T) 45	7	26	35	50	23	74	M4×8	138	15	8	19	M5×10

Note⁽¹⁾ : The specification and mounting position of grease nipple are different from those of the standard specification product.
 Size 15 models are provided with a special specification grease nipple (NPB2 type).
 For details of dimensions, consult **IKO** for further information.

⁽²⁾ : The values for a slide unit with female threads for bellows at both ends are shown.

Remark : The above table shows representative model numbers but is also applicable to stainless steel type models of the same size.

Table 5.2 Female threads for bellows for block type slide unit (Supplemental code /J, /JJ)



unit : mm

Model number	Slide unit							Track rail				
	a1	a2	b1	b2	b3	b4	M1×depth	L1 ⁽²⁾	H3	a3	a4	M2×depth
LWESC 15	3	12	9	16	3	28	M3×6	58	5.7	4	7	M3× 6
LWES 15								74				
LWESG 15								87				
LWESC 20	3	15	11	20	4	34	M3×6	64	6	4	8	M3× 6
LWES 20								83				
LWESG 20								99				
LWESC 25	3.5	17	11	26	4	40	M3×6	76	7	5	9	M4× 8
LWES 25								100				
LWESG 25								119				
LWESC 30	5	17	13	34	5	50	M3×6	83	11	6	14	M4× 8
LWES 30								112				
LWESG 30								144				
LWESC 35	6	20	15	40	5	60	M3×6	93	13	7	15	M4× 8
LWES 35								126				
LWES 45	7	26	18	50	6	74	M4×8	138	15	8	19	M5×10

Note⁽¹⁾ : The specification and mounting position of grease nipple are different from those of the standard specification product.
 Size 15 models are provided with a special specification grease nipple (NPB2 type).
 For details of dimensions, consult **IKO** for further information.

⁽²⁾ : The values for a slide unit with female threads for bellows at both ends are shown.

Remark : The above table shows representative model numbers but is also applicable to stainless steel type models of the same size.

Table 6 Recommended track rail mounting bolt size (Supplemental code /MA)

Model number	Recommended bolt size
LWE 15	M 3×16 M 4×16 ⁽¹⁾
LWE 20	M 5×16
LWE 25	M 6×20
LWE 30	M 6×25
LWE 35	M 8×30
LWE 45	M10×35

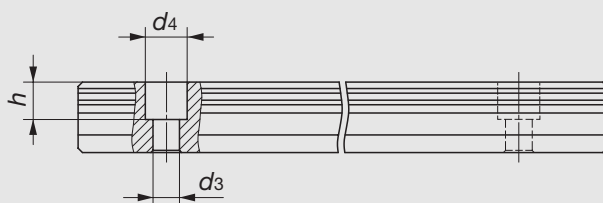
Note⁽¹⁾ : Applicable to the track rail of supplemental code "/M4" of special specification.

Remark 1 : The above table shows representative model numbers but is applicable to all models of the same size.

2 : Hexagon socket head bolts of strength division 12.9 of JIS B 1176 are recommended.

3 : For stainless Linear Way E, stainless steel bolts are appended when specified supplemental code "/MA".

Table 7 Changed size of mounting holes (Supplemental code /M4)

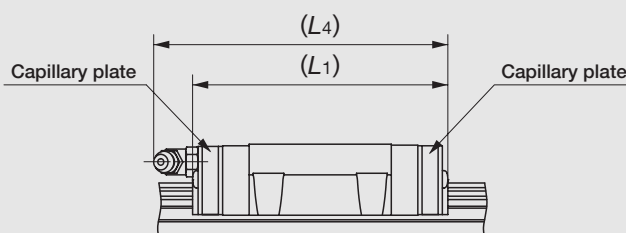


unit : mm

Model number	d_3	d_4	h
LWE 15	4.5	8	6

Remark : The above table shows a representative model number but is applicable to all models of size 15.

Table 8 Slide unit with Capillary plates (Supplemental code /Q)



unit : mm

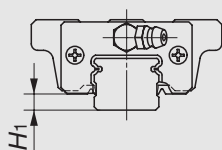
Model number	L ₁	L ₄
LWEC 15	52	55
LWE 15	68	71
LWEG 15	81	83
LWEC 20	58	71
LWE 20	78	91
LWEG 20	94	106
LWEC 25	70	83
LWE 25	94	107
LWEG 25	113	126

Model number	L ₁	L ₄
LWEC 30	80	91
LWE 30	109	119
LWEG 30	141	151
LWEC 35	90	102
LWE 35	123	135
LWE 45	138	148

Remark : The above table shows representative model numbers but is applicable to all models of the same size.

Table 9 H₁ dimension of slide unit with under seals (Supplemental code /U)

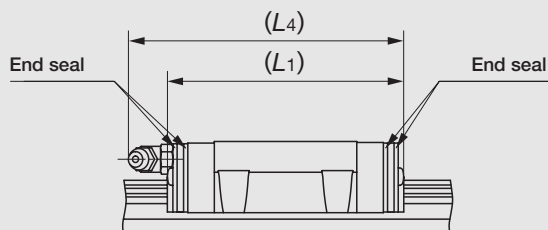
unit : mm



Model number	H ₁
LWE 15	5
LWE 20	5
LWE 25	6
LWE 30	7
LWE 35	8
LWE 45	10

Remark : The above table shows representative model numbers but is applicable to all models of the same size.

Table 10 Slide unit with double end seals (Supplemental code /V, /VV)



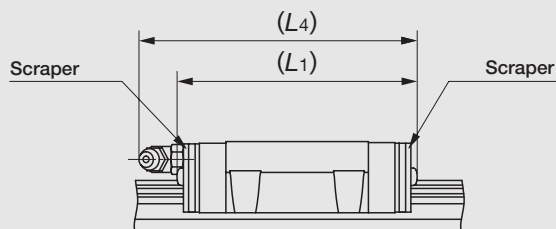
unit : mm

Model number	L ₁	L ₄
LWEC 15	48	50
LWE 15	64	66
LWEG 15	76	78
LWEC 20	54	68
LWE 20	73	87
LWEG 20	89	103
LWEC 25	67	80
LWE 25	91	104
LWEG 25	110	123

Model number	L ₁	L ₄
LWEC 30	78	89
LWE 30	107	118
LWEG 30	138	150
LWEC 35	88	101
LWE 35	121	134
LWE 45	137	148

Remark 1 : The above table shows representative model numbers but is applicable to all models of the same size.
 2 : The values for a slide unit with double end seals at both ends are shown.

Table 11 Slide unit with scrapers (Supplemental code /Z, /ZZ)



unit : mm

Model number	L ₁	L ₄
LWEC 15	48	50
LWE 15	64	66
LWEG 15	77	79
LWEC 20	55	69
LWE 20	75	88
LWEG 20	90	104
LWEC 25	69	81
LWE 25	93	105
LWEG 25	112	124

Model number	L ₁	L ₄
LWEC 30	79	90
LWE 30	108	119
LWEG 30	140	151
LWEC 35	89	101
LWE 35	122	134
LWE 45	138	148

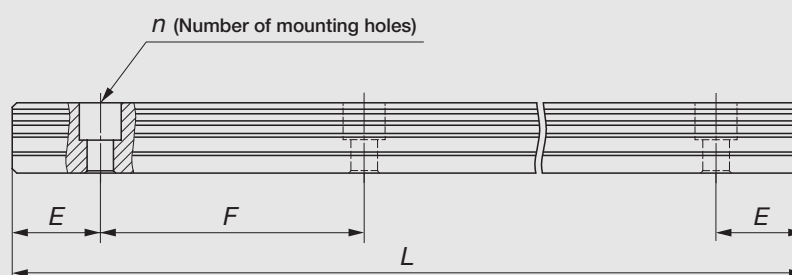
Remark 1 : The above table shows representative model numbers but is applicable to all models of the same size.
 2 : The values for a slide unit with scrapers at both ends are shown.

● Track rail length

Standard and maximum lengths of track rails are shown in Tables 12.1 and 12.2. Track rails in any length are also available. Simply indicate the necessary length of track rail in mm in the identification number. For the tolerances of E dimension and track rail length, consult **IKO** for further information.

- For non-interchangeable track rails longer than the maximum length shown in Tables 12.1 and 12.2, butt-jointing track rails are available upon request. In this case, indicate "/A" in the identification number.
- E dimensions at both ends are the same and are within the standard range of E unless otherwise specified. To change these dimensions, specify the specified rail mounting hole positions "/E" of special specification. For details, see page 89.

Table 12.1 Standard and maximum lengths of high carbon steel track rails



unit : mm

Model number	LWE 15	LWE 20	LWE 25	LWE 30	LWE 35	LWE 45
Item						
Standard length $L (n)$	160 (3)	220 (4)	220 (4)	280 (4)	280 (4)	570 (6)
	220 (4)	280 (5)	280 (5)	440 (6)	440 (6)	885 (9)
	280 (5)	340 (6)	340 (6)	600 (8)	600 (8)	1 200 (12)
	340 (6)	460 (8)	460 (8)	760 (10)	760 (10)	1 620 (16)
	460 (8)	640 (11)	640 (11)	1 000 (13)	1 000 (13)	2 040 (20)
	640 (11)	820 (14)	820 (14)	1 240 (16)	1 240 (16)	2 460 (24)
	820 (14)	1 000 (17)	1 000 (17)	1 640 (21)	1 640 (21)	2 985 (29)
		1 240 (21)	1 240 (21)	2 040 (26)	2 040 (26)	
			1 600 (27)	2 520 (32)	2 520 (32)	
				3 000 (38)	3 000 (38)	
Pitch of mounting holes F	60	60	60	80	80	105
E (1)	20	20	20	20	20	22.5
Standard range of E (2)	incl.	6	8	9	9	10
	under	36	38	39	49	50
Maximum length (3)	1 600 (2 980)	2 200 (2 980)	2 980 (4 000)	3 000 (3 960)	3 000 (3 960)	2 985 (3 930)

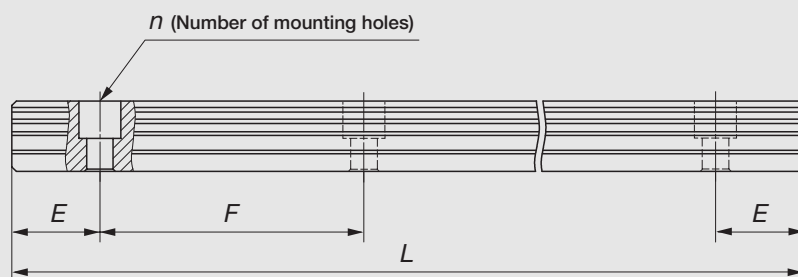
Note(1) : When specifying a butt-jointing interchangeable track rail (supplemental code "/T"), pay attention to the E dimension at the butt-jointing part.

(2) : Not applicable to the track rail with female threads for bellows (supplemental code "/J").

(3) : Track rails with the maximum lengths shown in parentheses can also be manufactured. Consult **IKO** for further information.

Remark : The above table shows representative model numbers but is applicable to all models of the same size.

Table 12.2 Standard and maximum lengths of stainless steel track rails



unit : mm

Item	Model number	LWE 15...SL	LWE 20...SL	LWE 25...SL	LWE 30...SL
Standard length $L(n)$		160(3)	220(4)	220(4)	280(4)
		220(4)	280(5)	280(5)	440(6)
		280(5)	340(6)	340(6)	600(8)
		340(6)	460(8)	460(8)	760(10)
		460(8)	640(11)	640(11)	1 000(13)
		640(11)	820(14)	820(14)	
		820(14)	1 000(17)	1 000(17)	
Pitch of mounting holes F		60	60	60	80
E (1)		20	20	20	20
Standard range of E (2)	incl.	6	8	9	9
	under	36	38	39	49
Maximum length (3)(4)		1 200	1 200	1 200	1 200
		(1 600)	(1 960)	(1 960)	(1 960)

Note(1) : When specifying a butt-jointing interchangeable track rail (supplemental code "/T"), pay attention to the E dimension at the butt-jointing part.

(2) : Not applicable to the track rail with female threads for bellows (supplemental code "/J").

(3) : The E dimension for the rail with the maximum length is 1/2 of the F dimension.

(4) : Track rails with the maximum lengths shown in parentheses can also be manufactured. Consult **IKO** for further information.

Remark : The above table shows representative model numbers but is applicable to all models of the same size.

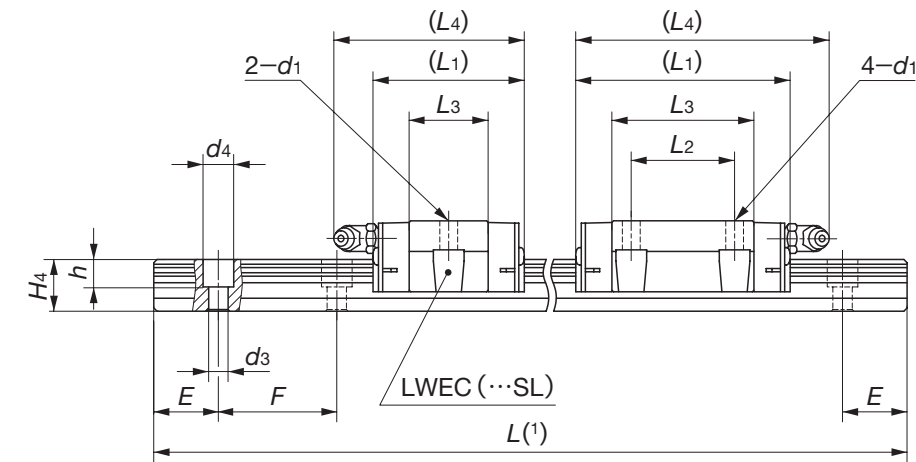
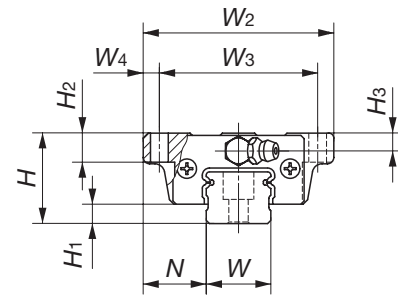
B

LWE, LWET, LWES

IKO Linear Way E : Flange type

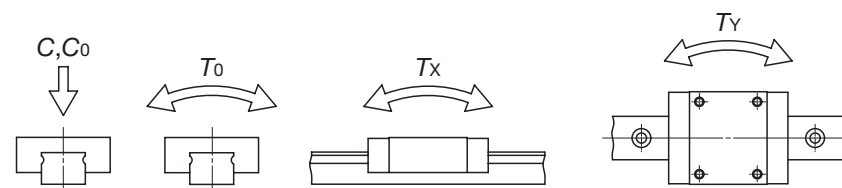


Flange type mounted from bottom
LWEC
LWE
LWEG
LWEC...SL (Stainless steel made)
LWE ...SL (Stainless steel made)
LWEG...SL (Stainless steel made)



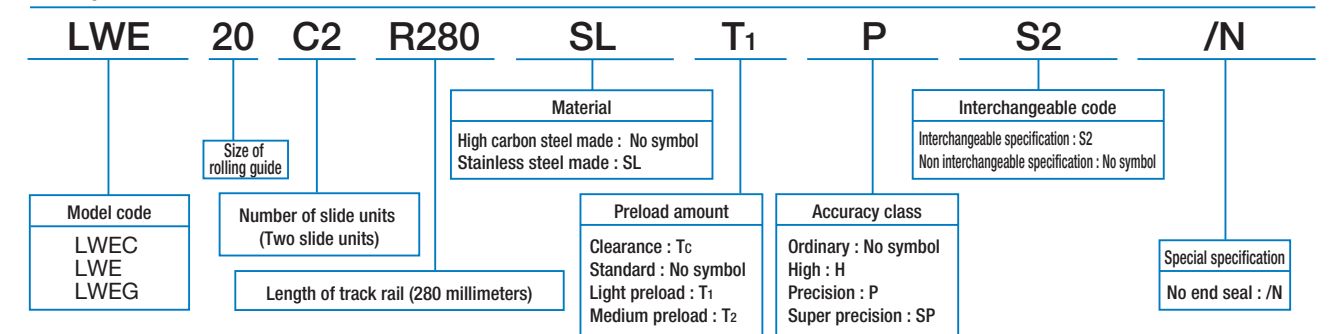
Model number	Interchangeable	Mass (Ref.)		Dimensions of assembly mm			Dimensions of slide unit mm							
		Slide unit kg	Track rail kg/m	H	H ₁	N	W ₂	W ₃	W ₄	L ₁	L ₂	L ₃	L ₄	d ₁
LWEC 15	☆	0.11	1.57	24	5.8	18.5	52	41	5.5	41	—	22.4	45	4.5
LWEC 15...SL	☆									57	26	38.4	61	
LWE 15	☆	0.18	2.28	28	6	19.5	59	49	5	70	36	51.1	74	5.5
LWE 15...SL	☆									66.5	32	44	79	
LWEG 15	☆	0.24	2.28	28	6	19.5	59	49	5	70	36	51.1	74	5.5
LWEG 15...SL	☆									82	45	59.9	95	
LWEC 20	☆	0.18	2.28	28	6	19.5	59	49	5	47	—	24.5	59	5.5
LWEC 20...SL	☆									66.5	32	44	79	
LWE 20	☆	0.30	2.28	28	6	19.5	59	49	5	66.5	32	44	79	5.5
LWE 20...SL	☆									82	45	59.9	95	
LWEG 20	☆	0.40	2.28	28	6	19.5	59	49	5	82	45	59.9	95	5.5
LWEG 20...SL	☆									66.5	32	44	79	

Note⁽¹⁾ : Track rail lengths are shown in Table 12.1 on page B-40 and Table 12.2 on page B-41.
 (2) : The directions of basic dynamic load rating (C), basic static load rating (C₀) and static moment rating (T₀, T_x, T_y) are shown in the sketches below. The upper values in the T_x and T_y columns apply to one slide unit, and the lower values apply to two slide units in close contact.
 Remark 1 : The mark ☆ indicates that interchangeable specification products are available.
 2 : Track rail mounting bolts are not appended. Hexagon socket bolt of JIS B1176 strength division 12.9 or equivalent are recommended for high carbon steel model. The hexagon socket head bolts of JIS B1176 property division A2-70 or equivalent are recommended for stainless steel models. Recommended bolt sizes are shown in Table 6 on page B-37.
 3 : For grease nipple specifications, see page 97.



H ₂	H ₃	Dimensions of track rail mm								Basic dynamic load rating ⁽²⁾ C N	Basic static load rating ⁽²⁾ C ₀ N	Static moment rating ⁽²⁾		
		W	H ₄	d ₃	d ₄	h	E	F	T ₀ N·m			T _x N·m	T _y N·m	
7	4.5	15	14.5	3.6	6.5	4.5	20	60		5 240	5 480	43.8	21.3 149	21.3 149
										7 640	9 390	75.1	57.6 333	57.6 333
										9 340	12 500	100	99.5 533	99.5 533
9	5.5	20	16	6	9.5	8.5	20	60		7 570	7 340	78.9	31.5 235	31.5 235
										11 600	13 400	145	95.6 561	95.6 561
										14 400	18 300	197	172 918	172 918

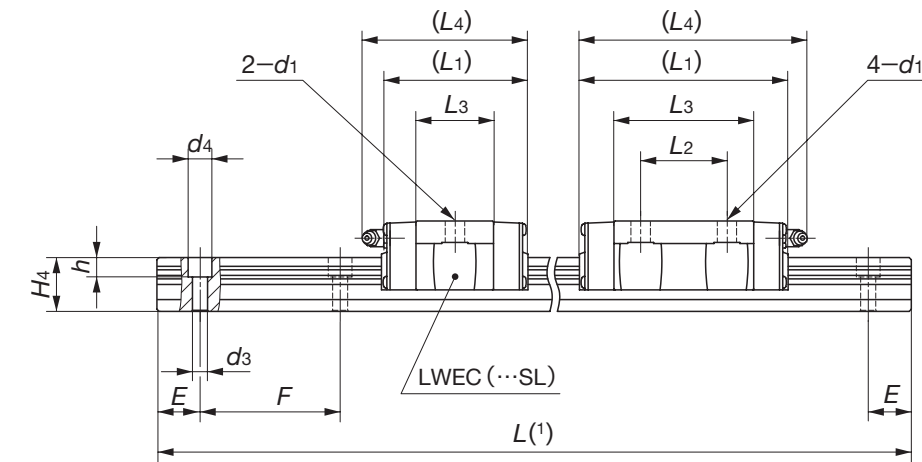
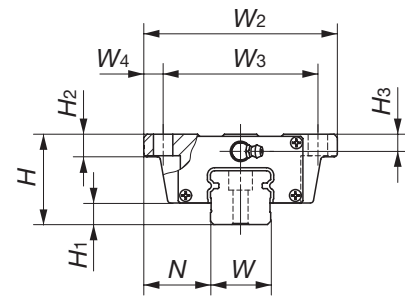
Example of identification number of assembled set (For details, see "Identification number and specification".)



IKO Linear Way E : Flange type



Flange type mounted from bottom
LWEC
LWE
LWEG
LWEC...SL (Stainless steel made)
LWE ...SL (Stainless steel made)
LWEG...SL (Stainless steel made)



Model number	Interchangeable	Mass (Ref.)		Dimensions of assembly mm			Dimensions of slide unit mm							
		Slide unit kg	Track rail kg/m	H	H ₁	N	W ₂	W ₃	W ₄	L ₁	L ₂	L ₃	L ₄	d ₁
LWEC 25	☆	0.33	3.09	33	7	25	73	60	6.5	59	—	32	71	7
LWEC 25...SL	☆									83	35	56	95	
LWE 25	☆	0.55	3.09	33	7	25	73	60	6.5	102	50	75	114	7
LWE 25...SL	☆									83	35	56	95	
LWEG 25	☆	0.73	3.09	33	7	25	73	60	6.5	102	50	75	114	7
LWEG 25...SL	☆									83	35	56	95	
LWEC 30	☆	0.58	5.09	42	10	31	90	72	9	68	—	36	78	9
LWEC 30...SL	☆									97	40	64.8	107	
LWE 30	☆	0.99	5.09	42	10	31	90	72	9	128.5	60	96.5	139	9
LWE 30...SL	☆									97	40	64.8	107	
LWEG 30	☆	1.50	5.09	42	10	31	90	72	9	128.5	60	96.5	139	9
LWEG 30...SL	☆									97	40	64.8	107	
LWEC 35	☆	0.84	6.85	48	11	33	100	82	9	78	—	41.6	90	9
LWE 35	☆									111	50	74.6	123	
LWE 45	☆	2.46	11.2	60	14	37.5	120	100	10	125	60	81.4	136	11

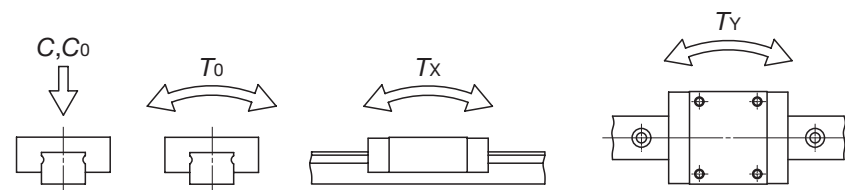
Note(1) : Track rail lengths are shown in Table 12.1 on page B-40 and Table 12.2 on page B-41.

(2) : The directions of basic dynamic load rating (C), basic static load rating (C₀) and static moment rating (T₀, T_x, T_y) are shown in the sketches below. The upper values in the T_x and T_y columns apply to one slide unit, and the lower values apply to two slide units in close contact.

Remark 1 : The mark ☆ indicates that interchangeable specification products are available.

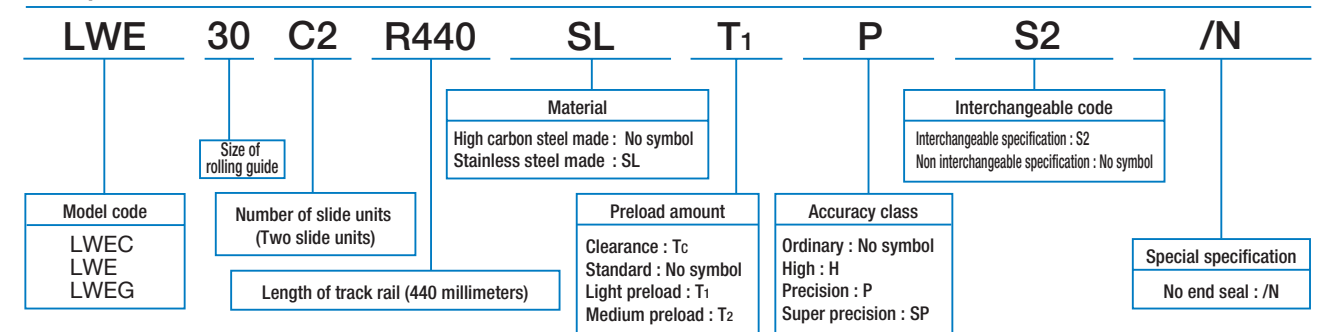
2 : Track rail mounting bolts are not appended. Hexagon socket bolt of JIS B1176 strength division 12.9 or equivalent are recommended for high carbon steel model. The hexagon socket head bolts of JIS B1176 property division A2-70 or equivalent are recommended for stainless steel models. Recommended bolt sizes are shown in Table 6 on page B-37.

3 : For grease nipple specifications, see page 97.



H ₂	H ₃	Dimensions of track rail mm							Basic dynamic load rating ⁽²⁾ C N	Basic static load rating ⁽²⁾ C ₀ N	Static moment rating ⁽²⁾		
		W	H ₄	d ₃	d ₄	h	E	F			T ₀ N·m	T _x N·m	T _y N·m
10	6.5	23	19	7	11	9	20	60	12 400	12 300	153	71.8 480	71.8 480
									18 100	21 100	262	195 1 090	195 1 090
									22 200	28 200	349	336 1 740	336 1 740
10	8	28	25	7	11	9	20	80	20 600	18 800	287	129 855	129 855
									29 500	31 300	479	328 1 920	328 1 920
									39 200	47 000	718	704 3 670	704 3 670
13	10	34	28	9	14	12	20	80	29 900	26 800	412	176 1 190	162 1 100
									42 900	44 700	686	448 2 660	412 2 450
15	13	45	34	11	17.5	14	22.5	105	61 100	60 200	1 210	672 4 070	618 3 750

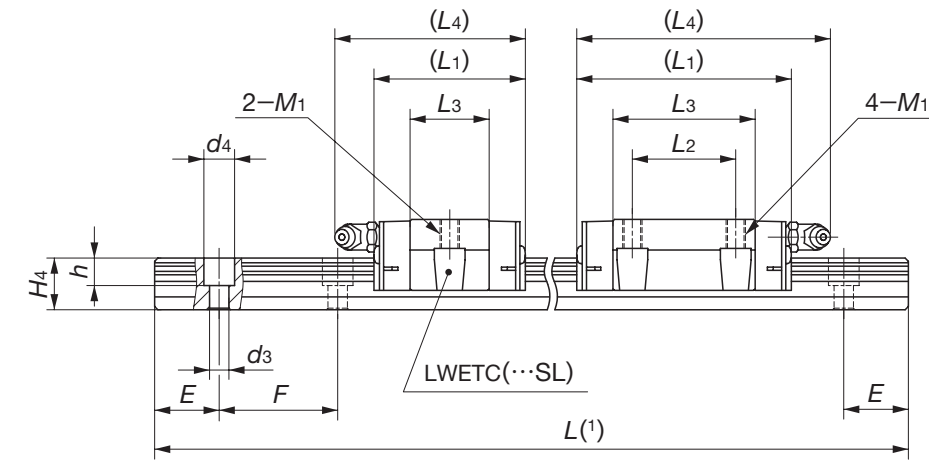
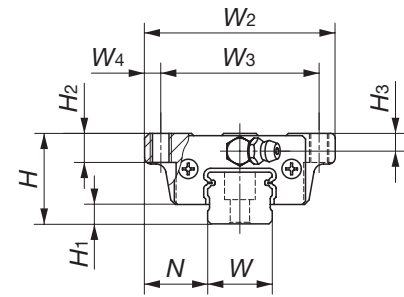
Example of identification number of assembled set (For details, see "Identification number and specification".)



IKO Linear Way E : Flange type

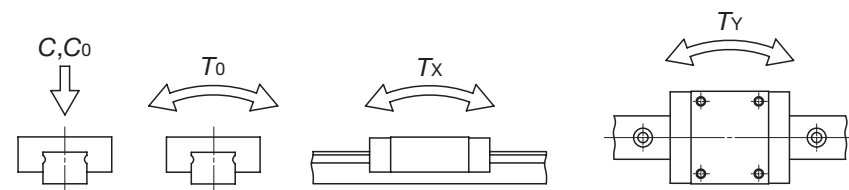


Flange type mounted from top
LWETC
LWET
LWETG
LWETC...SL (Stainless steel made)
LWET ...SL (Stainless steel made)
LWETG...SL (Stainless steel made)



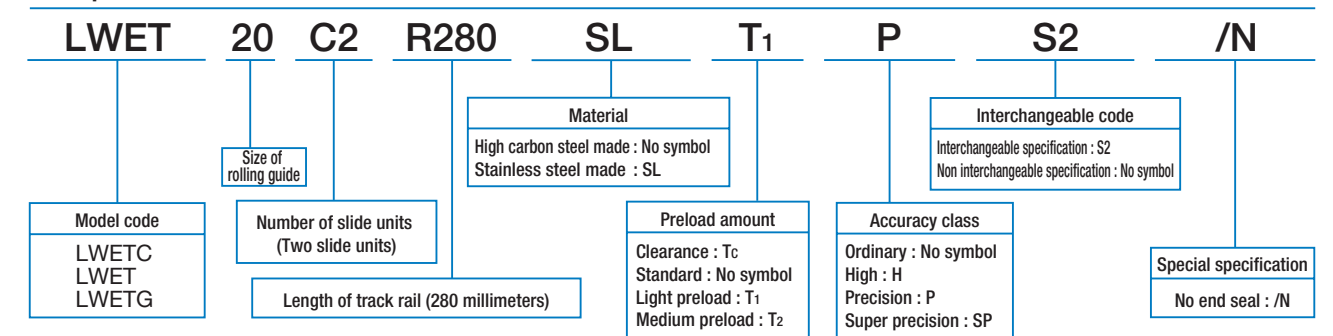
Model number	Interchangeable	Mass (Ref.)		Dimensions of assembly mm			Dimensions of slide unit mm							
		Slide unit kg	Track rail kg/m	H	H ₁	N	W ₂	W ₃	W ₄	L ₁	L ₂	L ₃	L ₄	M1
LWETC 15	☆	0.11	1.57	24	5.8	18.5	52	41	5.5	41	—	22.4	45	M 5
LWETC 15...SL	☆									57	26	38.4	61	
LWET 15	☆	0.18	2.28	28	6	19.5	59	49	5	70	36	51.1	74	
LWET 15...SL	☆									66.5	32	44	79	
LWETG 15	☆	0.24	2.28	28	6	19.5	59	49	5	82	45	59.9	95	
LWETG 15...SL	☆									82	45	59.9	95	
LWETC 20	☆	0.18	2.28	28	6	19.5	59	49	5	47	—	24.5	59	M 6
LWETC 20...SL	☆									66.5	32	44	79	
LWET 20	☆	0.30	2.28	28	6	19.5	59	49	5	70	36	51.1	74	
LWET 20...SL	☆									66.5	32	44	79	
LWETG 20	☆	0.40	2.28	28	6	19.5	59	49	5	82	45	59.9	95	
LWETG 20...SL	☆									82	45	59.9	95	

Note⁽¹⁾ : Track rail lengths are shown in Table 12.1 on page B-40 and Table 12.2 on page B-41.
 (2) : The directions of basic dynamic load rating (C), basic static load rating (C₀) and static moment rating (T₀, T_x, T_y) are shown in the sketches below. The upper values in the T_x and T_y columns apply to one slide unit, and the lower values apply to two slide units in close contact.
 Remark 1 : The mark ☆ indicates that interchangeable specification products are available.
 2 : Track rail mounting bolts are not appended. Hexagon socket bolt of JIS B1176 strength division 12.9 or equivalent are recommended for high carbon steel model. The hexagon socket head bolts of JIS B1176 property division A2-70 or equivalent are recommended for stainless steel models. Recommended bolt sizes are shown in Table 6 on page B-37.
 3 : For grease nipple specifications, see page 97.



H ₂	H ₃	Dimensions of track rail mm								Basic dynamic load rating ⁽²⁾ C N	Basic static load rating ⁽²⁾ C ₀ N	Static moment rating ⁽²⁾		
		W	H ₄	d ₃	d ₄	h	E	F	T ₀ N·m			T _x N·m	T _y N·m	
7	4.5	15	14.5	3.6	6.5	4.5	20	60	60	5 240	5 480	43.8	21.3 149	21.3 149
										7 640	9 390	75.1	57.6 333	57.6 333
										9 340	12 500	100	99.5 533	99.5 533
9	5.5	20	16	6	9.5	8.5	20	60	60	7 570	7 340	78.9	31.5 235	31.5 235
										11 600	13 400	145	95.6 561	95.6 561
										14 400	18 300	197	172 918	172 918

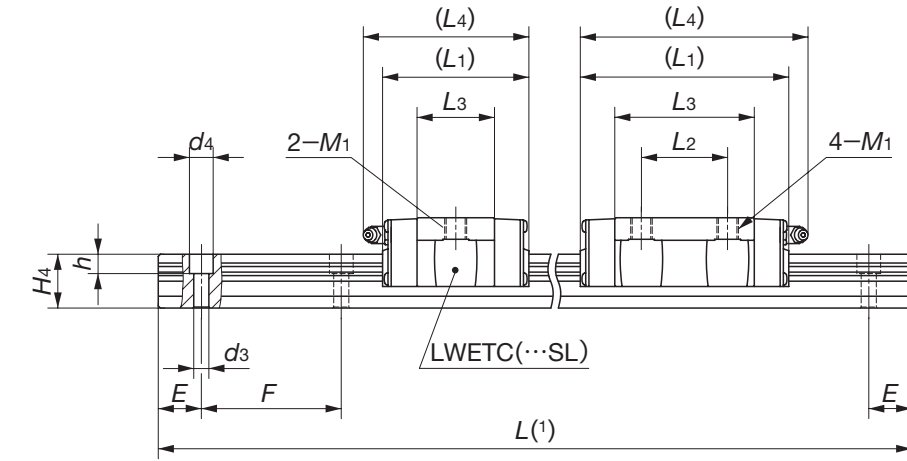
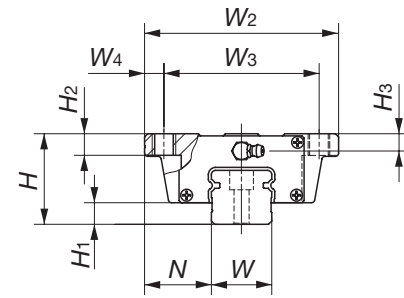
Example of identification number of assembled set (For details, see "Identification number and specification".)



IKO Linear Way E : Flange type



Flange type mounted from top
LWETC
LWET
LWETG
LWETC ...SL (Stainless steel made)
LWET ...SL (Stainless steel made)
LWETG ...SL (Stainless steel made)



Model number	Interchangeable	Mass (Ref.)		Dimensions of assembly mm			Dimensions of slide unit mm							
		Slide unit kg	Track rail kg/m	H	H1	N	W2	W3	W4	L1	L2	L3	L4	M1
LWETC 25	☆	0.33	3.09	33	7	25	73	60	6.5	59	—	32	71	M 8
LWETC 25...SL	☆									83	35	56	95	
LWET 25	☆	0.55	3.09	33	7	25	73	60	6.5	102	50	75	114	M 8
LWET 25...SL	☆									83	35	56	95	
LWETG 25	☆	0.73	3.09	33	7	25	73	60	6.5	102	50	75	114	M 8
LWETG 25...SL	☆									83	35	56	95	
LWETC 30	☆	0.58	5.09	42	10	31	90	72	9	68	—	36	78	M 10
LWETC 30...SL	☆									97	40	64.8	107	
LWET 30	☆	0.99	5.09	42	10	31	90	72	9	128.5	60	96.5	139	M 10
LWET 30...SL	☆									97	40	64.8	107	
LWETG 30	☆	1.50	5.09	42	10	31	90	72	9	128.5	60	96.5	139	M 10
LWETG 30...SL	☆									97	40	64.8	107	
LWETC 35	☆	0.84	6.85	48	11	33	100	82	9	78	—	41.6	90	M 10
LWET 35	☆									111	50	74.6	123	
LWET 45	☆	2.46	11.2	60	14	37.5	120	100	10	125	60	81.4	136	M 12

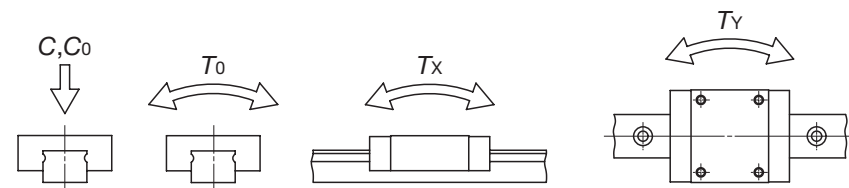
Note(1) : Track rail lengths are shown in Table 12.1 on page B-40 and Table 12.2 on page B-41.

(2) : The directions of basic dynamic load rating (C), basic static load rating (C0) and static moment rating (T0, Tx, Ty) are shown in the sketches below. The upper values in the Tx and Ty columns apply to one slide unit, and the lower values apply to two slide units in close contact.

Remark 1 : The mark ☆ indicates that interchangeable specification products are available.

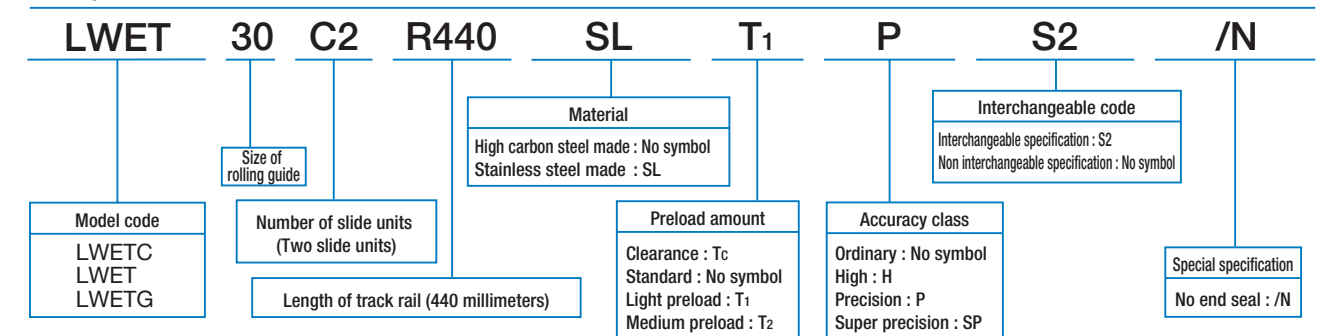
2 : Track rail mounting bolts are not appended. Hexagon socket bolt of JIS B1176 strength division 12.9 or equivalent are recommended for high carbon steel model. The hexagon socket head bolts of JIS B1176 property division A2-70 or equivalent are recommended for stainless steel models. Recommended bolt sizes are shown in Table 6 on page B-37.

3 : For grease nipple specifications, see page 97.



H2	H3	Dimensions of track rail mm								Basic dynamic load rating ⁽²⁾ C N	Basic static load rating ⁽²⁾ C0 N	Static moment rating ⁽²⁾		
		W	H4	d3	d4	h	E	F	T0 N·m			Tx N·m	Ty N·m	
10	6.5	23	19	7	11	9	20	60	60	12 400	12 300	153	71.8 480	71.8 480
										18 100	21 100	262	195 1 090	195 1 090
										22 200	28 200	349	336 1 740	336 1 740
10	8	28	25	7	11	9	20	80	80	20 600	18 800	287	129 855	129 855
										29 500	31 300	479	328 1 920	328 1 920
										39 200	47 000	718	704 3 670	704 3 670
13	10	34	28	9	14	12	20	80	80	29 900	26 800	412	176 1 190	162 1 110
										42 900	44 700	686	448 2 660	412 2 450
15	13	45	34	11	17.5	14	22.5	105	105	61 100	60 200	1 210	672 4 070	618 3 750

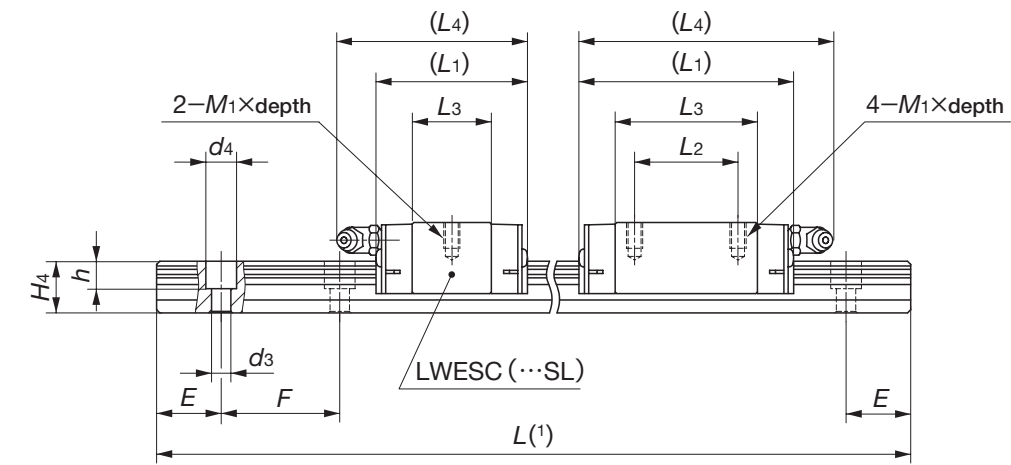
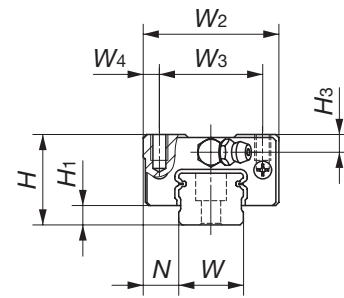
Example of identification number of assembled set (For details, see "Identification number and specification".)



IKO Linear Way E : Block type

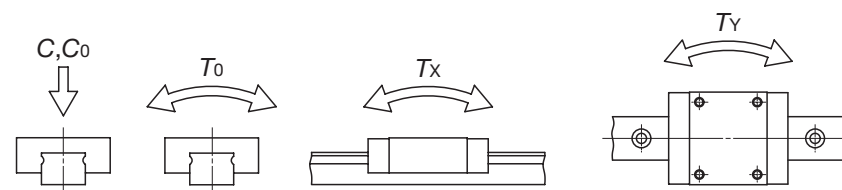


Block type mounted from top
LWESC
LWES
LWESG
LWESC ...SL (Stainless steel made)
LWES ...SL (Stainless steel made)
LWESG ...SL (Stainless steel made)

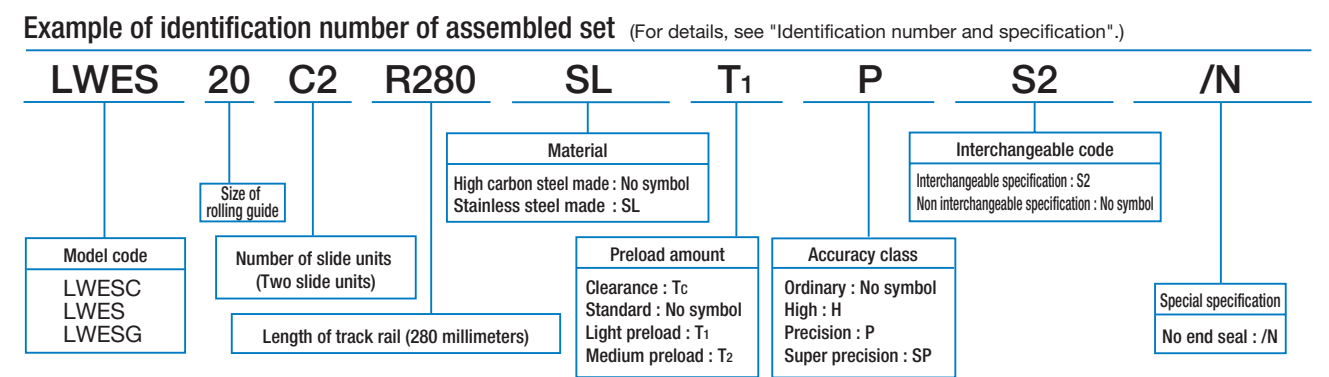


Model number	Interchangeable	Mass (Ref.)		Dimensions of assembly mm			Dimensions of slide unit mm						
		Slide unit kg	Track rail kg/m	H	H ₁	N	W ₂	W ₃	W ₄	L ₁	L ₂	L ₃	L ₄
LWESC 15	☆	0.09	1.57	24	5.8	9.5	34	26	4	41	—	22.4	45
LWESC 15...SL	☆									57	26	38.4	61
LWES 15	☆	0.14	1.57	24	5.8	9.5	34	26	4	70	36	51.1	74
LWES 15...SL	☆									70	36	51.1	74
LWESG 15	☆	0.18	1.57	24	5.8	9.5	34	26	4	47	—	24.5	59
LWESG 15...SL	☆									66.5	32	44	79
LWESC 20	☆	0.15	2.28	28	6	11	42	32	5	82	45	59.9	95
LWESC 20...SL	☆									82	45	59.9	95
LWES 20	☆	0.25	2.28	28	6	11	42	32	5	66.5	32	44	79
LWES 20...SL	☆									66.5	32	44	79
LWESG 20	☆	0.33	2.28	28	6	11	42	32	5	82	45	59.9	95
LWESG 20...SL	☆									82	45	59.9	95

Note⁽¹⁾ : Track rail lengths are shown in Table 12.1 on page B-40 and Table 12.2 on page B-41.
 (2) : The directions of basic dynamic load rating (C), basic static load rating (C₀) and static moment rating (T₀, T_x, T_y) are shown in the sketches below. The upper values in the T_x and T_y columns apply to one slide unit, and the lower values apply to two slide units in close contact.
 Remark 1 : The mark ☆ indicates that interchangeable specification products are available.
 2 : Track rail mounting bolts are not appended. Hexagon socket bolt of JIS B1176 strength division 12.9 or equivalent are recommended for high carbon steel model. The hexagon socket head bolts of JIS B1176 property division A2-70 or equivalent are recommended for stainless steel models. Recommended bolt sizes are shown in Table 6 on page B-37.
 3 : For grease nipple specifications, see page 97.



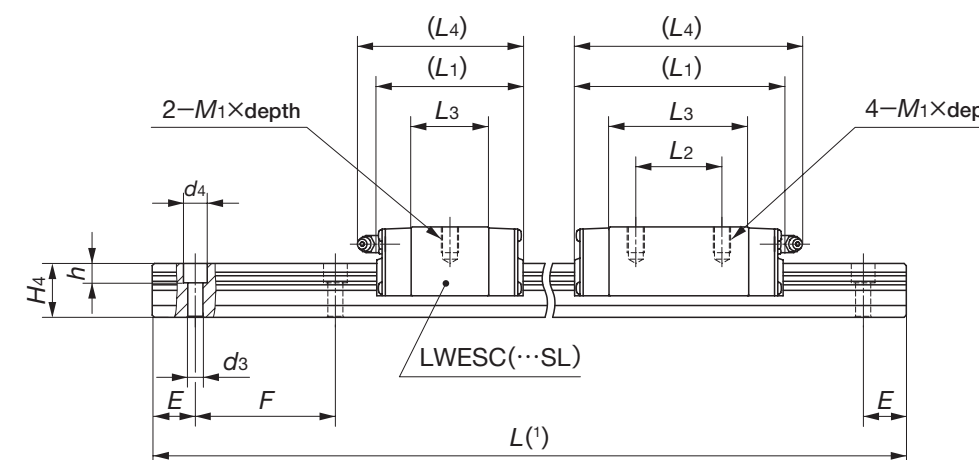
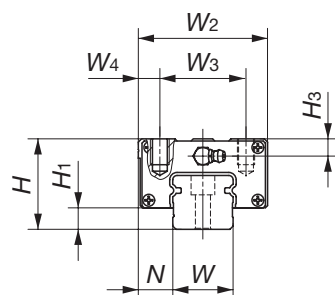
M ₁ × depth	H ₃	Dimensions of track rail mm							Basic dynamic load rating ⁽²⁾ C N	Basic static load rating ⁽²⁾ C ₀ N	Static moment rating ⁽²⁾		
		W	H ₄	d ₃	d ₄	h	E	F			T ₀ N·m	T _x N·m	T _y N·m
M4 × 7	4.5	15	14.5	3.6	6.5	4.5	20	60	5 240	5 480	43.8	21.3 149	21.3 149
									7 640	9 390	75.1	57.6 333	57.6 333
									9 340	12 500	100	99.5 533	99.5 533
M5 × 8	5.5	20	16	6	9.5	8.5	20	60	7 570	7 340	78.9	31.5 235	31.5 235
									11 600	13 400	145	95.6 561	95.6 561
									14 400	18 300	197	172 918	172 918



IKO Linear Way E : Block type



Block type mounted from top
LWESC
LWES
LWESG
LWESC ...SL (Stainless steel made)
LWES ...SL (Stainless steel made)
LWESG ...SL (Stainless steel made)



Model number	Interchangeable	Mass (Ref.)		Dimensions of assembly mm			Dimensions of slide unit mm						
		Slide unit kg	Track rail kg/m	H	H ₁	N	W ₂	W ₃	W ₄	L ₁	L ₂	L ₃	L ₄
LWESC 25	☆	0.26	3.09	33	7	12.5	48	35	6.5	59	—	32	71
LWESC 25...SL	☆									83	35	56	95
LWES 25	☆	0.42	3.09	33	7	12.5	48	35	6.5	102	50	75	114
LWES 25...SL	☆									128.5	60	96.5	139
LWESG 25	☆	0.55	3.09	33	7	12.5	48	35	6.5	68	—	36	78
LWESG 25...SL	☆									97	40	64.8	107
LWESC 30	☆	0.46	5.09	42	10	16	60	40	10	78	—	41.6	90
LWESC 30...SL	☆									111	50	74.6	123
LWES 30	☆	0.78	5.09	42	10	16	60	40	10	128.5	60	96.5	139
LWES 30...SL	☆									125	60	81.4	136
LWESG 30	☆	1.13	5.09	42	10	16	60	40	10	78	—	41.6	90
LWESG 30...SL	☆									111	50	74.6	123
LWESC 35	☆	0.67	6.85	48	11	18	70	50	10	78	—	41.6	90
LWES 35	☆									111	50	74.6	123
LWES 45	☆	2.05	11.2	60	14	20.5	86	60	13	125	60	81.4	136

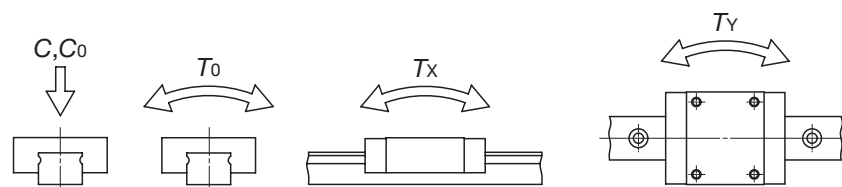
Note(1) : Track rail lengths are shown in Table 12.1 on page B-40 and Table 12.2 on page B-41.

(2) : The directions of basic dynamic load rating (C), basic static load rating (C₀) and static moment rating (T₀, T_x, T_y) are shown in the sketches below. The upper values in the T_x and T_y columns apply to one slide unit, and the lower values apply to two slide units in close contact.

Remark 1 : The mark ☆ indicates that interchangeable specification products are available.

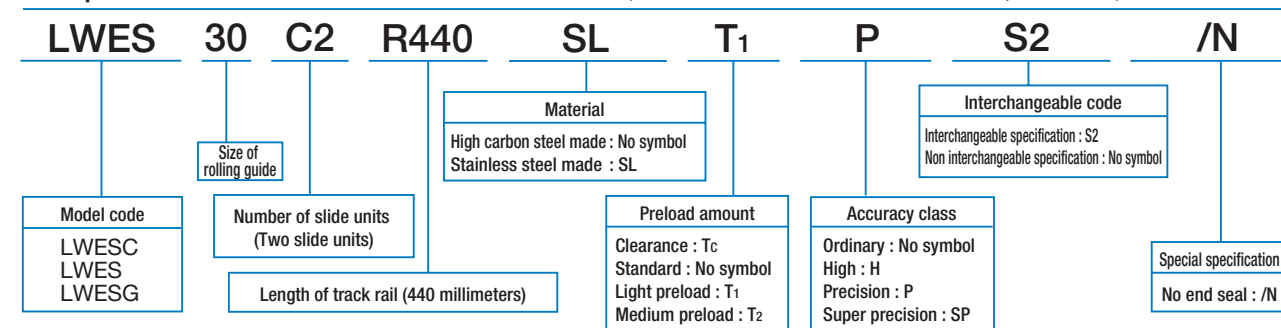
2 : Track rail mounting bolts are not appended. Hexagon socket bolt of JIS B1176 strength division 12.9 or equivalent are recommended for high carbon steel model. The hexagon socket head bolts of JIS B1176 property division A2-70 or equivalent are recommended for stainless steel models. Recommended bolt sizes are shown in Table 6 on page B-37.

3 : For grease nipple specifications, see page 97.



M ₁ ×depth	H ₃	Dimensions of track rail mm							Basic dynamic load rating ⁽²⁾ C N	Basic static load rating ⁽²⁾ C ₀ N	Static moment rating ⁽²⁾		
		W	H ₄	d ₃	d ₄	h	E	F			T ₀ N·m	T _x N·m	T _y N·m
M 6×9	6.5	23	19	7	11	9	20	60	12 400	12 300	153	71.8 480	71.8 480
									18 100	21 100	262	195 1 090	195 1 090
									22 200	28 200	349	336 1 740	336 1 740
M 8×12	8	28	25	7	11	9	20	80	20 600	18 800	287	129 855	129 855
									29 500	31 300	479	328 1 920	328 1 920
									39 200	47 000	718	704 3 670	704 3 670
M 8×12	10	34	28	9	14	12	20	80	29 900	26 800	412	176 1 190	162 1 100
									42 900	44 700	686	448 2 660	412 2 450
M10×15	13	45	34	11	17.5	14	22.5	105	61 100	60 200	1 210	672 4 070	618 3 750

Example of identification number of assembled set (For details, see "Identification number and specification".)



B
LWE, LWET, LWES

U.S. PATENTED

Low Decibel Linear Way E

LWE...Q/LWET...Q/LWES...Q

IKD Low Decibel Linear Way E is a linear motion rolling guide for smooth and quiet motion. Its low noise characteristic has been achieved by adopting optimum design based on a thorough analysis of ball recirculation behavior and sound quality. Plastic separators are incorporated to eliminate direct contact between balls and thus achieve smooth and quiet motion.

Low Decibel Linear Way E is suitable for production equipment or machinery, in which a large number of linear motion rolling guides are incorporated, and can be used to help reduce the noise level in factory and create a human-friendly environment.

Low decibel

Plastic separators are incorporated to eliminate direct contact between balls and thus achieve smooth and quiet motion.

Flange type and block type

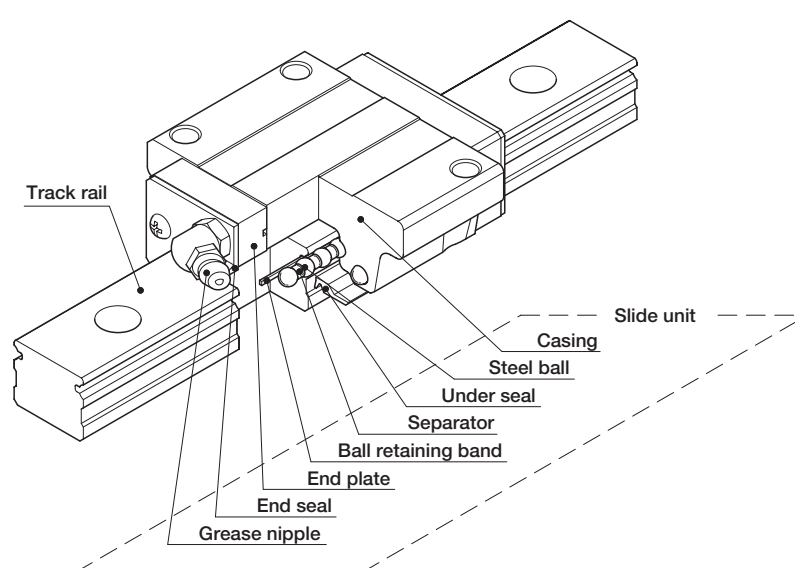
Slide units are available in three different sectional shapes; two flange types for different mounting directions and one block type with a narrow width.

Compact design

Lower, narrower, and shorter. Compactness has been pursued in every dimension.

Dimensional interchangeability with Linear Way E

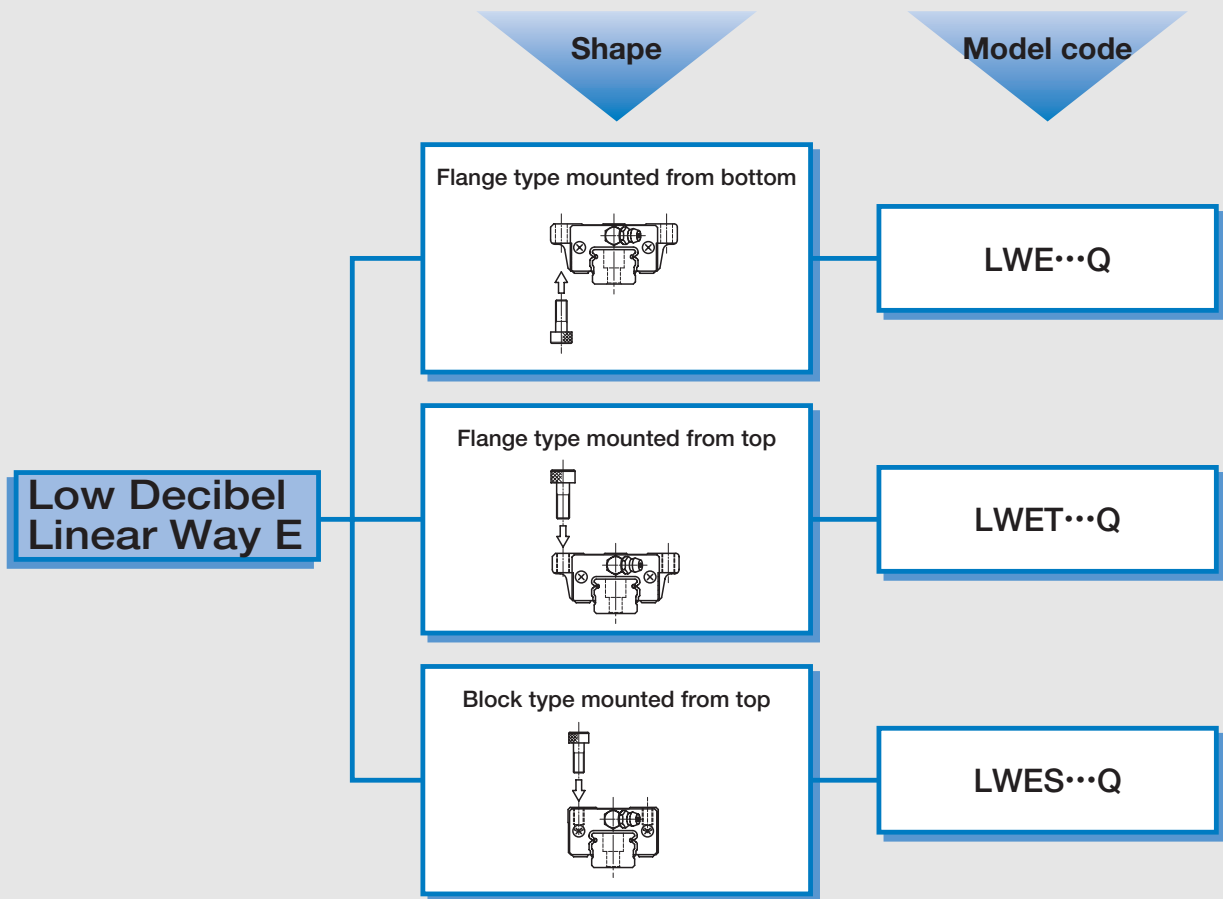
The mounting dimensions are the same as those of Linear Way E. So this guide can replace Linear Way E (LWE) with little modifications of machines or equipment.



U.S. PATENT No. 6,176,617
 No. 5,967,667
 No. 5,564,188
 No. 5,374,126
 No. 5,356,223
 No. 5,324,116
 No. 4,652,147

Structure of Low Decibel Linear Way E

Low Decibel Linear Way E series

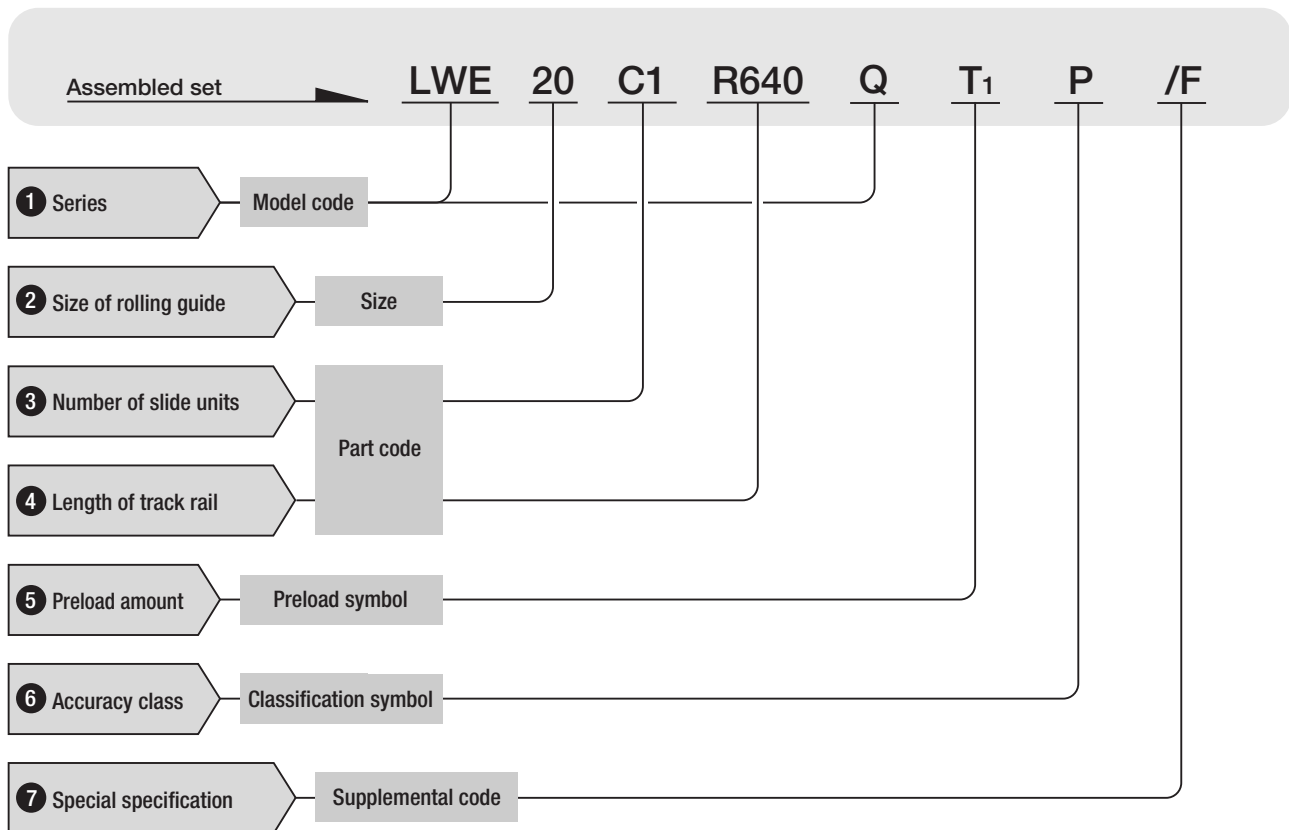


B

LWE...Q, LWET...Q, LWES...Q

● Identification number and specification

The specification of Low Decibel Linear Way E is indicated by the identification number, consisting of a model code, a size, a part code, a preload symbol, a classification symbol and any supplemental codes. For details of each specification, see page 76.



1 Series

Flange type mounted from bottom : **LWE ...Q**
 Flange type mounted from top : **LWET...Q**
 Block type mounted from top : **LWES...Q**

For available slide unit models and sizes, see Table 1.

2 Size of rolling guide

Table 1 Models and sizes of Low Decibel Linear Way E

Size	Model	High carbon steel made		
		Flange type mounted from bottom LWE...Q	Flange type mounted from top LWET...Q	Block type mounted from top LWES...Q
15		○	○	○
20		○	○	○
25		○	○	○
30		○	○	○
35		○	○	○

3 Number of slide units

: **C**○

Indicate the number of slide units assembled on one track rail.

4 Length of track rail

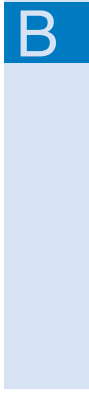
: **R**○

Indicate the length of track rail in mm. For standard and maximum lengths, see "Track rail length" on page B-65.

5 Preload amount

Standard : No symbol
 Light preload : **T**1

For applicable combinations of accuracy and preload amount, see Table 2. For details of preload amount, see page 84.



LWE...Q, LWET...Q, LWES...Q

1N=0.102kgf=0.2248lbs.
 1mm=0.03937inch

6 Accuracy class

Ordinary	: No symbol	
High	: H	For applicable combinations of accuracy and preload amount, see Table 2. For details of accuracy, see page 79.
Precision	: P	
Super precision	: SP	

Table 2 Accuracy class and preload

Accuracy class (Symbol)	Ordinary (No symbol)	High (H)	Precision (P)	Super precision (SP)
Preload (Symbol)				
Standard (No symbol)	○	○	○	○
Light preload (T1)	—	○	○	○

7 Special specification

For applicable special specifications, see Table 3. When several special specifications are required, see Table 4. For details of special specifications, see page 86.

Table 3 Special specifications

Special specification	Supplemental code	Assembled set	Dimension
Opposite reference surfaces arrangement	D	○	
Specified rail mounting hole positions	E	○	
Caps for rail mounting holes	F	○	
Inspection sheet	I	○	
Female threads for bellows	J	○	See Table 5.1, Table 5.2.
Black chrome surface treatment	L	○	
Fluorine black chrome surface treatment	LF	○	
Supplied with track rail mounting bolt	MA	○	See Table 6.
Changed size of mounting holes	M4	○ ⁽¹⁾	See Table 7.
Capillary plates	Q	○	See Table 8.
Double end seals	V	○	See Table 9.
Matched sets to be used as an assembled group	W	○	
Specified grease	Y	○	
Scrapers	Z	○	See Table 10.

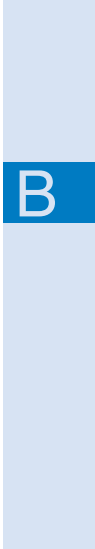
Note⁽¹⁾: Applicable to size 15 models.

Table 4 Combination of special specifications

E	-														
F	○	○													
I	○	○	○												
J	○	○	○	○											
L	○	○	○	○	○										
LF	○	○	○	○	○	-									
MA	○	○	○	○	○	○	○								
M4	○	○	○	○	○	○	○	○							
Q	○	○	○	○	-	○	○	○	○						
V	○	○	○	○	○	○	○	○	○	-					
W	○	-	○	○	○	○	○	○	○	○	○				
Y	○	○	○	○	○	○	○	○	○	○	-	○	○		
Z	○	○	○	○	○	○	○	○	○	○	-	○	○	○	

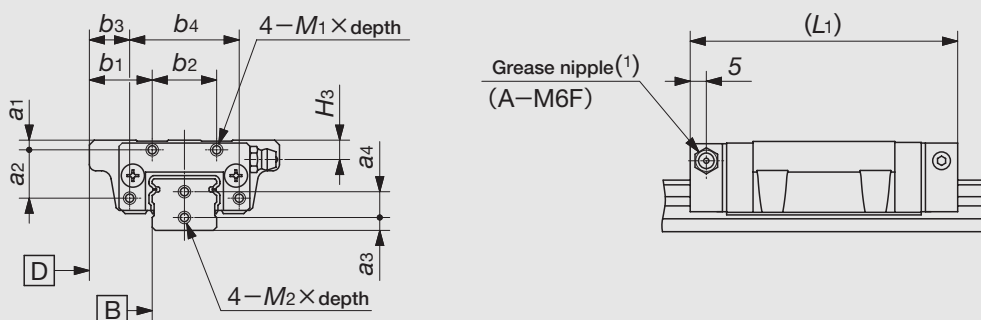
D E F I J L LF MA M4 Q V W Y

Remark : When several special specifications are required, arrange the supplemental codes alphabetically.



LWE...Q, LWET...Q, LWES...Q

Table 5.1 Female threads for bellows for flange type slide unit (Supplemental code /J, /JJ)

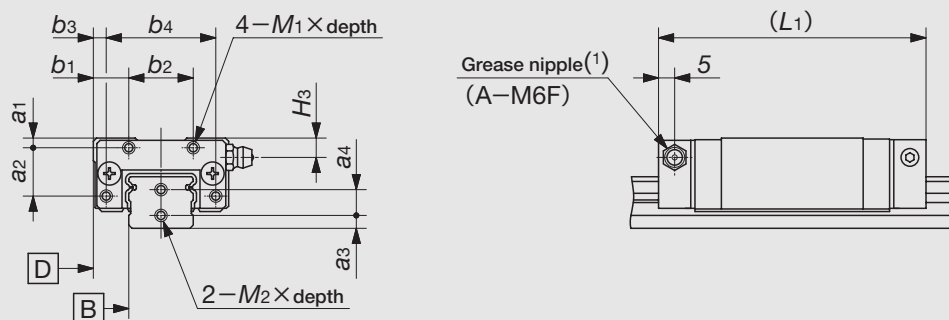


unit : mm

Model number	Slide unit									Track rail		
	a ₁	a ₂	b ₁	b ₂	b ₃	b ₄	M ₁ ×depth	L ₁ ⁽²⁾	H ₃	a ₃	a ₄	M ₂ ×depth
LWE (T) 15···Q	3	12	18	16	12	28	M3×6	74	5.7	4	7	M3×6
LWE (T) 20···Q	3	15	19.5	20	12.5	34	M3×6	83	6	4	8	M3×6
LWE (T) 25···Q	3.5	17	23.5	26	16.5	40	M3×6	100	7	5	9	M4×8
LWE (T) 30···Q	5	20	25	40	20	50	M3×6	111	10	6	14	M4×8
LWE (T) 35···Q	6	20	30	40	20	60	M3×6	125	11	7	15	M4×8

Note⁽¹⁾ : The specification and mounting position of grease nipple are different from those of the standard specification product.
 Size 15 models are provided with a special specification grease nipple (NPB2 type). For details of dimensions, consult **IKO** for further information.
 (2) : The values for a slide unit with female threads for bellows at both ends are shown.

Table 5.2 Female threads for bellows for block type slide unit (Supplemental code /J, /JJ)



unit : mm

Model number	Slide unit									Track rail		
	a1	a2	b1	b2	b3	b4	M1×depth	L1 ⁽²⁾	H3	a3	a4	M2×depth
LWES 15...Q	3	12	9	16	3	28	M3×6	74	5.7	4	7	M3×6
LWES 20...Q	3	15	11	20	4	34	M3×6	83	6	4	8	M3×6
LWES 25...Q	3.5	17	11	26	4	40	M3×6	100	7	5	9	M4×8
LWES 30...Q	5	20	10	40	5	50	M3×6	111	10	6	14	M4×8
LWES 35...Q	6	20	15	40	5	60	M3×6	125	11	7	15	M4×8

Note⁽¹⁾ : The specification and mounting position of grease nipple are different from those of the standard specification product.
 Size 15 models are provided with a special specification grease nipple (NPB2 type). For details of dimensions, consult **IKO** for further information.
 Note⁽²⁾ : The values for a slide unit with female threads for bellows at both ends are shown.

B

LWE...Q, LWET...Q, LWES...Q

Table 6 Recommended track rail mounting bolt size (Supplemental code /MA)

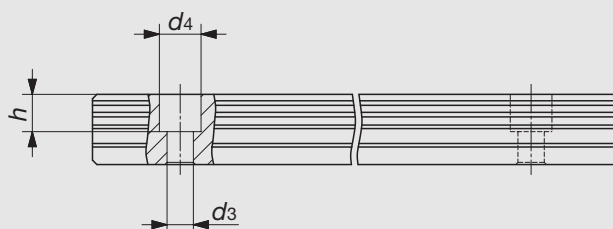
Model number	Recommended bolt size
LWE 15...Q	M3×16 M4×16 ⁽¹⁾
LWE 20...Q	M5×16
LWE 25...Q	M6×20
LWE 30...Q	M6×25
LWE 35...Q	M8×30

Note⁽¹⁾ : Applicable to the track rail of supplemental code "/M4" of special specification.

Remark 1 : The above table shows representative model numbers but is applicable to all models of the same size.

2 : Hexagon socket head bolts of strength division 12.9 of JIS B 1176 are recommended.

Table 7 Changed size of mounting holes (Supplemental code /M4)

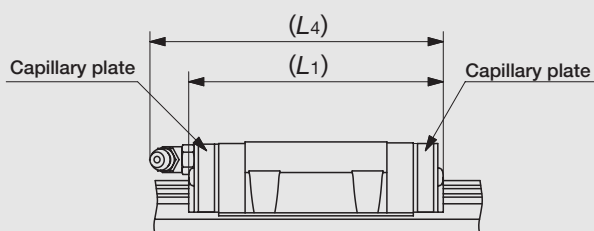


unit : mm

Model number	d_3	d_4	h
LWE 15...Q	4.5	8	6

Remark : The above table shows a representative model number but is applicable to all models of size 15.

Table 8 Slide unit with Capillary plates (Supplemental code /Q)

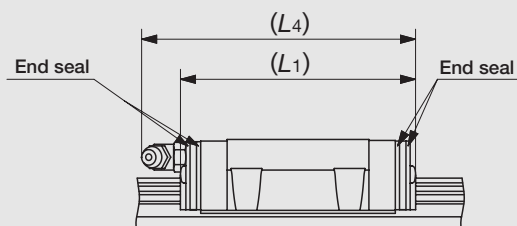


unit : mm

Model number	L1	L4
LWE 15...Q	68	71
LWE 20...Q	78	91
LWE 25...Q	94	107
LWE 30...Q	109	119
LWE 35...Q	124	135

Remark : The above table shows representative model numbers but is applicable to all models of the same size.

Table 9 Slide unit with double end seals (Supplemental code /V, /VV)

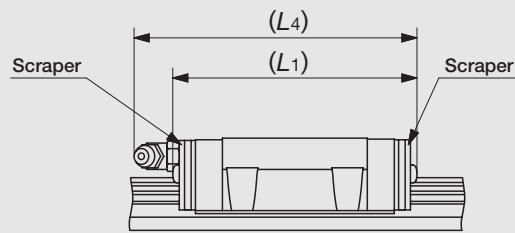


unit : mm

Model number	L1	L4
LWE 15...Q	64	66
LWE 20...Q	73	87
LWE 25...Q	91	104
LWE 30...Q	107	118
LWE 35...Q	121	134

Remark : The above table shows representative model numbers but is applicable to all models of the same size.

Table 10 Slide unit with scrapers (Supplemental code /Z, /ZZ)



unit : mm

Model number	L_1	L_4
LWE 15...Q	64	66
LWE 20...Q	75	88
LWE 25...Q	93	105
LWE 30...Q	109	119
LWE 35...Q	123	135

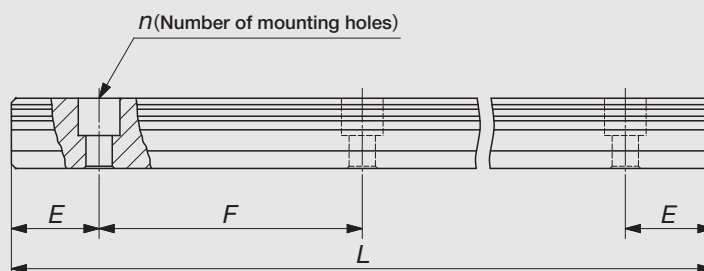
Remark : The above table shows representative model numbers but is applicable to all models of the same size.

Track rail length

Standard and maximum lengths of track rails are shown in Table 11. When requiring track rails in any other length, consult **IKO** for further information. For the tolerances of *E* dimension and track rail length, consult **IKO** for further information.

- *E* dimensions at both ends are the same and are within the standard range of *E* unless otherwise specified. To change these dimensions, specify the specified rail mounting hole positions "/*E*" of special specification. For details, see page 89.

Table 11 Standard and maximum lengths of track rails



unit : mm

Item	Model number	LWE 15...Q	LWE 20...Q	LWE 25...Q	LWE 30...Q	LWE 35...Q
Standard length <i>L</i> (<i>n</i>)		160 (3)	220 (4)	220 (4)	280 (4)	280 (4)
		220 (4)	280 (5)	280 (5)	440 (6)	440 (6)
		280 (5)	340 (6)	340 (6)	600 (8)	600 (8)
		340 (6)	460 (8)	460 (8)	760 (10)	760 (10)
		460 (8)	640 (11)	640 (11)	1 000 (13)	1 000 (13)
		640 (11)	820 (14)	820 (14)	1 240 (16)	1 240 (16)
		820 (14)	1 000 (17)	1 000 (17)	1 640 (21)	1 640 (21)
			1 240 (21)	1 240 (21)	2 040 (26)	2 040 (26)
Pitch of mounting holes <i>F</i>		60	60	60	80	80
<i>E</i>		20	20	20	20	20
Standard range of <i>E</i> (1)	incl.	6	8	9	9	10
	under	36	38	39	49	50
Maximum length		1 600	2 200	2 980	3 000	3 000

Note(1) : Not applicable to the track rail with female threads for bellows (supplemental code "/J").

Remark : The above table shows representative model numbers but is applicable to all models of the same size.

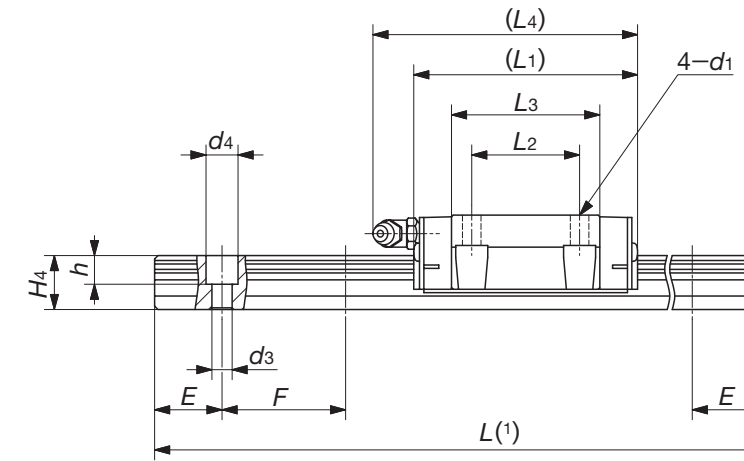
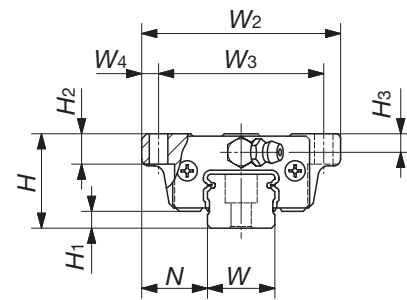
B

LWE...Q, LWET...Q, LWES...Q

IKO Low Decibel Linear Way E: Flange type



Flange type mounted from bottom
LWE ...Q



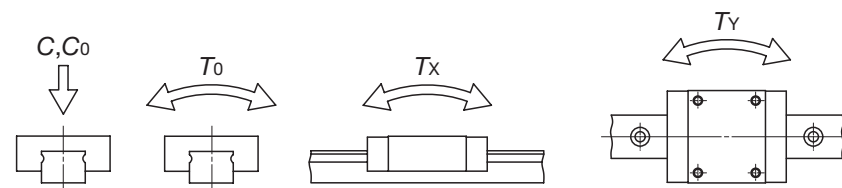
Model number	Mass (Ref.)		Dimensions of assembly mm			Dimensions of slide unit mm							
	Slide unit kg	Track rail kg/m	H	H ₁	N	W ₂	W ₃	W ₄	L ₁	L ₂	L ₃	L ₄	d ₁
LWE 15...Q	0.18	1.57	24	5	18.5	52	41	5.5	57	26	38.4	61	4.5
LWE 20...Q	0.30	2.28	28	5	19.5	59	49	5	66.5	32	44	79	5.5
LWE 25...Q	0.56	3.09	33	6	25	73	60	6.5	83	35	56	95	7
LWE 30...Q	0.97	5.04	42	10	31	90	72	9	95.5	40	64.8	106	9
LWE 35...Q	1.53	6.84	48	11	33	100	82	9	109.5	50	76.6	122	9

Note(1) : Track rail lengths are shown in Table 11 on page B-65.

(2) : The directions of basic dynamic load rating (C), basic static load rating (C₀) and static moment rating (T₀, T_x, T_y) are shown in the sketches below. The upper values in the T_x and T_y columns apply to one slide unit, and the lower values apply to two slide units in close contact.

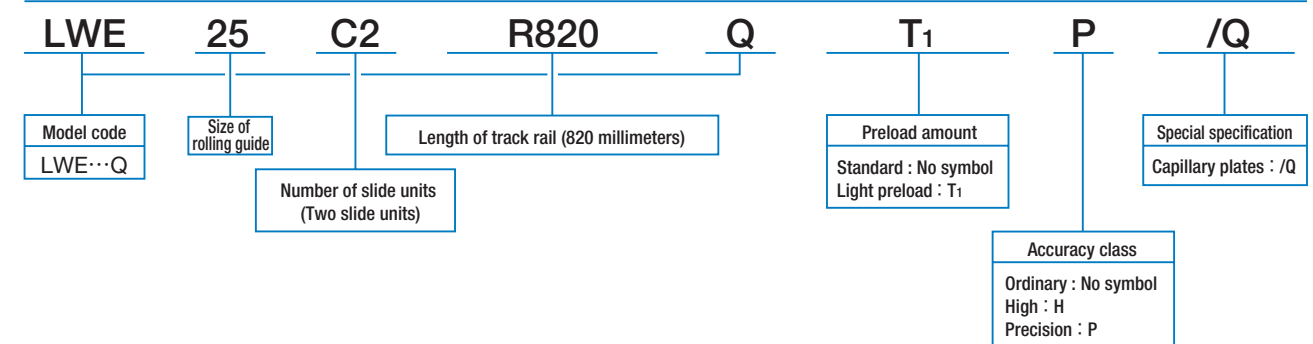
Remark 1 : Track rail mounting bolts are not appended. Hexagon socket bolt of JIS B1176 strength division 12.9 or equivalent are recommended. Recommended bolt sizes are shown in Table 6 on page B-62.

2 : For grease nipple specifications, see page 97.



H ₃	H ₅	Dimensions of track rail mm							Basic dynamic load rating ⁽²⁾ C N	Basic static load rating ⁽²⁾ C ₀ N	Static moment rating ⁽²⁾		
		W	H ₄	d ₃	d ₄	h	E	F			T ₀ N·m	T _x N·m	T _y N·m
7	4.5	15	14.5	3.6	6.5	4.5	20	60	6 550	8 610	68.9	53.0 307	53.0 307
9	5.5	20	16	6	9.5	8.5	20	60	10 500	13 400	145	100 557	100 557
10	6.5	23	19	7	11	9	20	60	15 500	19 400	240	175 1 010	175 1 010
10	8	28	25	7	11	9	20	80	21 600	26 400	398	278 1 570	278 1 570
13	10	34	28	9	14	12	20	80	30 500	37 600	687	482 2 530	482 2 530

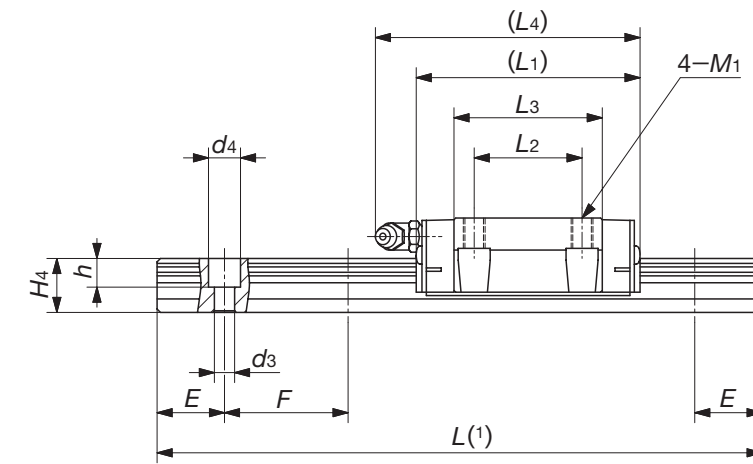
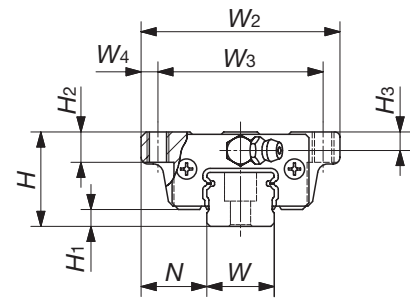
Example of identification number (For details, see "Identification number and specification".)



IKO Low Decibel Linear Way E: Flange type



Flange type mounted from top
LWET ...Q



Model number	Mass (Ref.)		Dimensions of assembly mm			Dimensions of slide unit mm							
	Slide unit kg	Track rail kg/m	H	H ₁	N	W ₂	W ₃	W ₄	L ₁	L ₂	L ₃	L ₄	M ₁
LWET 15...Q	0.18	1.57	24	5	18.5	52	41	5.5	57	26	38.4	61	M 5
LWET 20...Q	0.30	2.28	28	5	19.5	59	49	5	66.5	32	44	79	M 6
LWET 25...Q	0.56	3.09	33	6	25	73	60	6.5	83	35	56	95	M 8
LWET 30...Q	0.97	5.04	42	10	31	90	72	9	95.5	40	64.8	106	M10
LWET 35...Q	1.53	6.84	48	11	33	100	82	9	109.5	50	76.6	122	M10

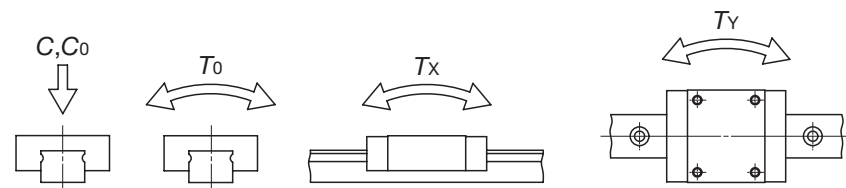
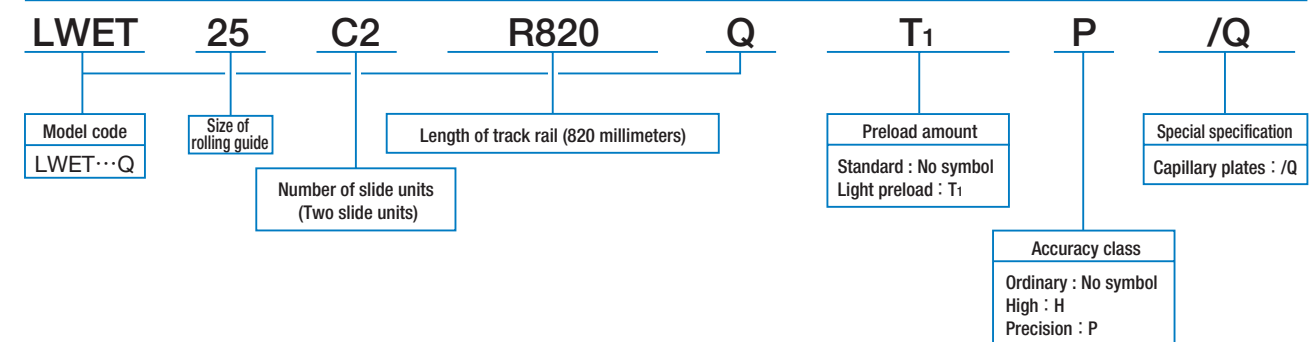
Note(1) : Track rail lengths are shown in Table 11 on page B-65.

(2) : The directions of basic dynamic load rating (C), basic static load rating (C₀) and static moment rating (T₀, T_x, T_y) are shown in the sketches below. The upper values in the T_x and T_y columns apply to one slide unit, and the lower values apply to two slide units in close contact.

Remark 1 : Track rail mounting bolts are not appended. Hexagon socket bolt of JIS B1176 strength division 12.9 or equivalent are recommended. Recommended bolt sizes are shown in Table 6 on page B-62.
2 : For grease nipple specifications, see page 97.

		Dimensions of track rail mm							Basic dynamic load rating ⁽²⁾	Basic static load rating ⁽²⁾	Static moment rating ⁽²⁾		
H ₂	H ₃	W	H ₄	d ₃	d ₄	h	E	F	C N	C ₀ N	T ₀ N·m	T _x N·m	T _y N·m
7	4.5	15	14.5	3.6	6.5	4.5	20	60	6 550	8 610	68.9	53.0 307	53.0 307
9	5.5	20	16	6	9.5	8.5	20	60	10 500	13 400	145	100 557	100 557
10	6.5	23	19	7	11	9	20	60	15 500	19 400	240	175 1 010	175 1 010
10	8	28	25	7	11	9	20	80	21 600	26 400	398	278 1 570	278 1 570
13	10	34	28	9	14	12	20	80	30 500	37 600	687	482 2 530	482 2 530

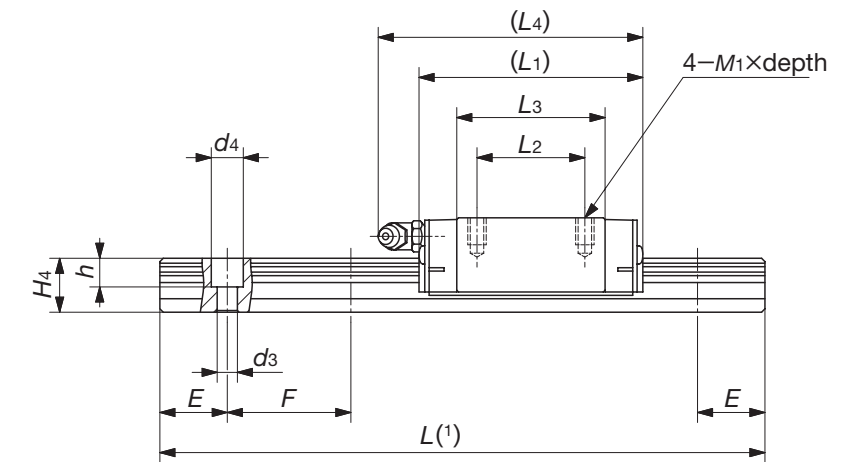
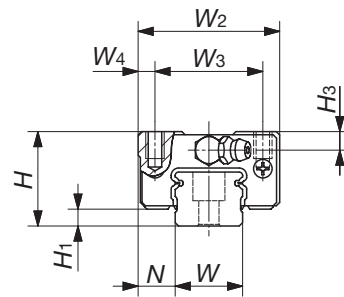
Example of identification number (For details, see "Identification number and specification".)



IKO Low Decibel Linear Way E: Block type



Block type mounted from top
LWES ...Q



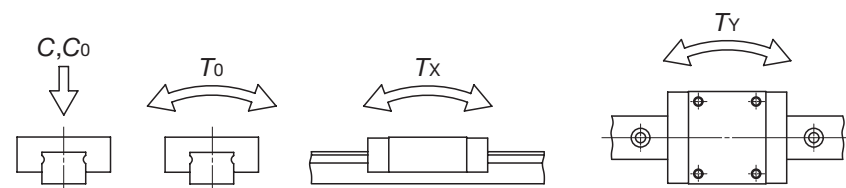
Model number	Mass (Ref.)		Dimensions of assembly mm			Dimensions of slide unit mm						
	Slide unit kg	Track rail kg/m	H	H ₁	N	W ₂	W ₃	W ₄	L ₁	L ₂	L ₃	L ₄
LWES 15...Q	0.14	1.57	24	5	9.5	34	26	4	57	26	38.4	61
LWES 20...Q	0.25	2.28	28	5	11	42	32	5	66.5	32	44	79
LWES 25...Q	0.43	3.09	33	6	12.5	48	35	6.5	83	35	56	95
LWES 30...Q	0.75	5.04	42	10	16	60	40	10	95.5	40	64.8	106
LWES 35...Q	1.20	6.84	48	11	18	70	50	10	109.5	50	76.6	122

Note(1) : Track rail lengths are shown in Table 11 on page B-65.

(2) : The directions of basic dynamic load rating (C), basic static load rating (C₀) and static moment rating (T₀, T_x, T_y) are shown in the sketches below. The upper values in the T_x and T_y columns apply to one slide unit, and the lower values apply to two slide units in close contact.

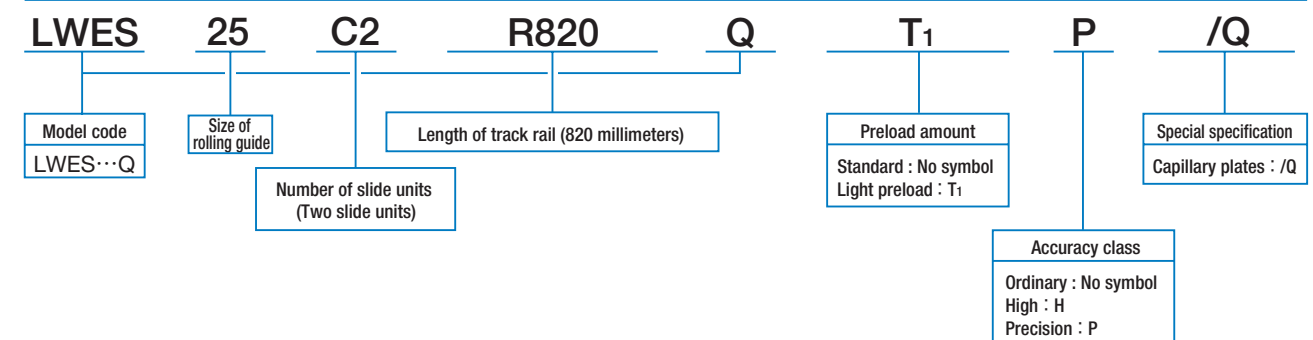
Remark 1 : Track rail mounting bolts are not appended. Hexagon socket bolt of JIS B1176 strength division 12.9 or equivalent are recommended. Recommended bolt sizes are shown in Table 6 on page B-62.

2 : For grease nipple specifications, see page 97.



M1×depth	H ₃	Dimensions of track rail mm							Basic dynamic load rating ⁽²⁾ C N	Basic static load rating ⁽²⁾ C ₀ N	Static moment rating ⁽²⁾		
		W	H ₄	d ₃	d ₄	h	E	F			T ₀ N·m	T _x N·m	T _y N·m
M4× 7	4.5	15	14.5	3.6	6.5	4.5	20	60	6 550	8 610	68.9	53.0 307	53.0 307
M5× 8	5.5	20	16	6	9.5	8.5	20	60	10 500	13 400	145	100 557	100 557
M6× 9	6.5	23	19	7	11	9	20	60	15 500	19 400	240	175 1 010	175 1 010
M8×12	8	28	25	7	11	9	20	80	21 600	26 400	398	278 1 570	278 1 570
M8×12	10	34	28	9	14	12	20	80	30 500	37 600	687	482 2 530	482 2 530

Example of identification number (For details, see "Identification number and specification".)



High Rigidity Type Linear Way

U.S. PATENTED

Linear Way H

LWH...B / LWHT...B / LWHD...B / LWHS...B / LWHY

IKO Linear Way H incorporates two rows of large diameter steel balls in four point contact with the raceways and provides stable high accuracy and rigidity in operations even under fluctuating loads with changing direction and magnitude or complex loads. This series features the largest load ratings and rigidity among all ball types. A wide range of variations in shapes and sizes are available for selecting a model suitable for each application.

Interchangeable

Linear Way H includes interchangeable specification products.

The dimensions of slide units and track rails of this specification are individually controlled, so that the slide units and track rails can be combined, added or exchanged freely.

Stainless steel type

The stainless steel type has excellent corrosion resistance and is most suitable for machines and equipment used in clean environments, for example, medical equipment, disk read devices and semiconductor manufacturing equipment.

Flange type and block type

Slide units are available in five different sectional shapes: two flange types for different mounting directions and three narrow block types that are different in height and mounting directions.

Ultra sealed specification

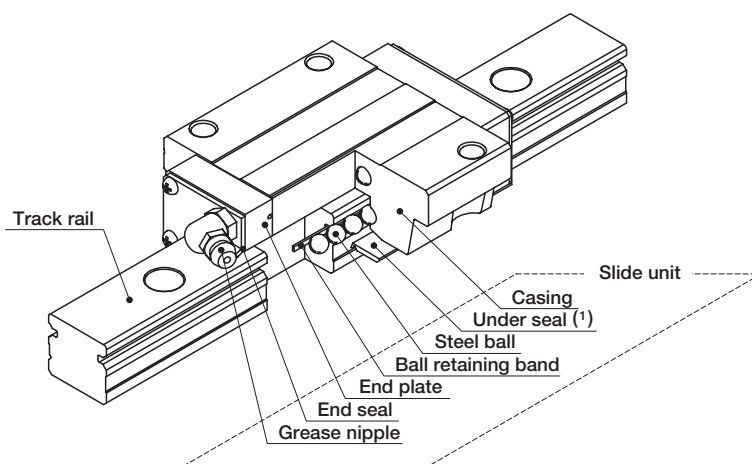
The track rail of this specification is ground on all surfaces, and is combined with a slide unit with specially designed end seals and under seals. Excellent dust protection performance is provided.

Length of slide unit

A standard type slide unit and a high rigidity long type slide unit both having the same sectional dimensions are available.

Miniature size

Miniature size models with track rail widths of 8 mm, 10 mm and 12 mm are available for use in the extended application range of Linear Way H.

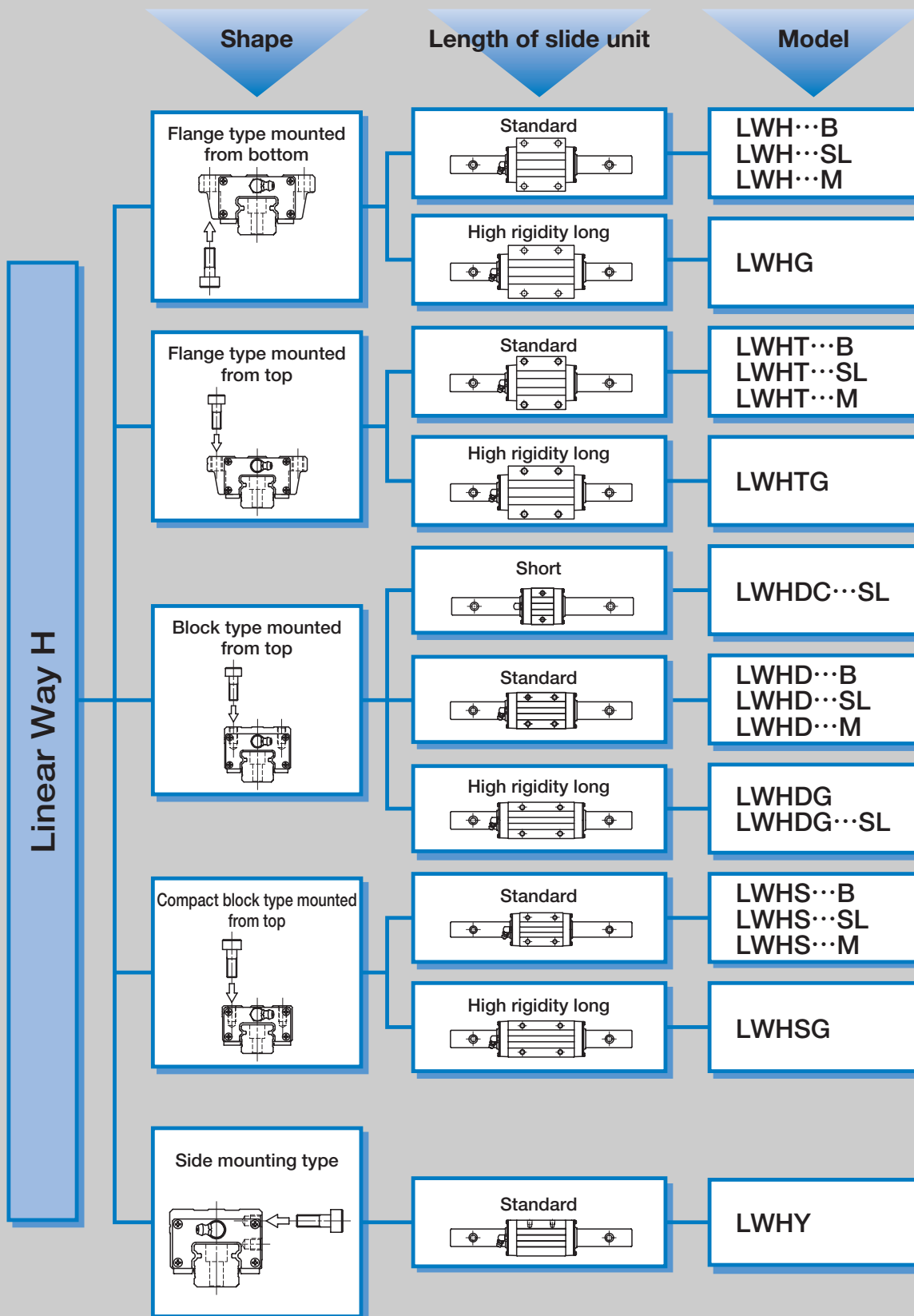


U.S. PATENT No. 6,176,617
 No. 5,967,667
 No. 5,289,779
 No. 5,250,126
 No. 4,652,147
 No. 4,610,488
 No. 4,505,522

Structure of Linear Way H

Note(1) : Size 8, 10 and 12 models with under seals are special specification products.

Linear Way H series



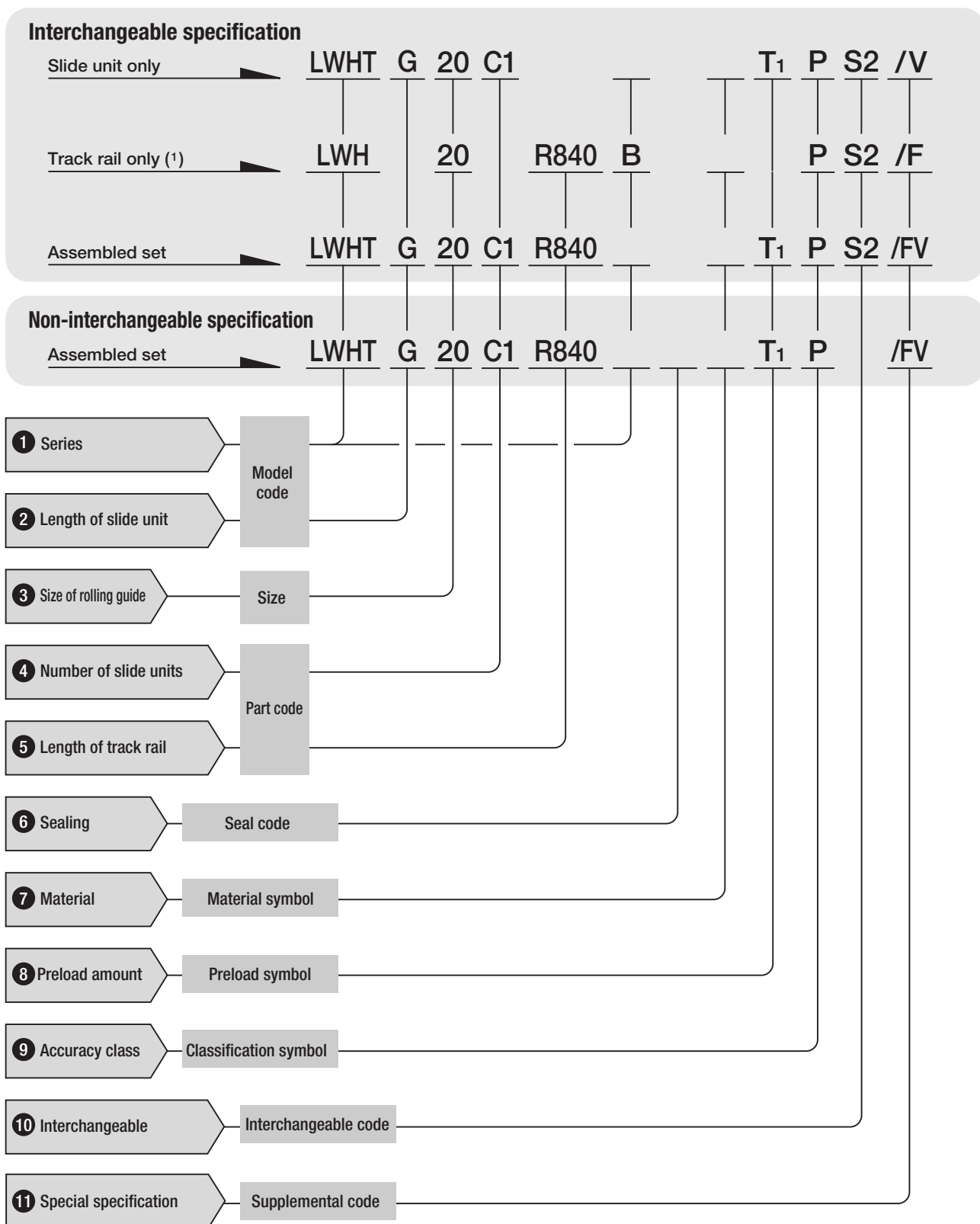
Remark 1 : Models with "SL" are stainless steel type.
 2 : Models with "M" are ultra sealed specification products.

B
 LWH, LWHT, LWHD, LWHS, LWHY

1N=0.102kgf=0.2248lbs.
 1mm=0.03937inch

● Identification number and specification

The specification of Linear Way H is indicated by the identification number, consisting of a model code, a size, a part code, a seal code, a material symbol, a preload symbol, a classification symbol, an interchangeable code and any supplemental codes. For details of each specification, see page 76.



Note(1) : For the model code of a single track rail of interchangeable specification, indicate "LWH...B" (high carbon steel made) or "LWH...SL" (stainless steel made) regardless of the slide unit type to be combined.

1 Series

Flange type mounted from bottom : LWH ... (B)
 Flange type mounted from top : LWHT... (B)
 Block type mounted from top : LWHD... (B)
 Compact block type mounted
 from top : LWHS... (B)
 Side mounting type : LWHY

2 Length of slide unit

Short : C
 Standard : No symbol
 High rigidity long : G

For available slide unit models, sealing, materials and sizes, see Tables 1.1 to 1.5. "B" is not attached to the model codes of size 12 models, high rigidity long type models, ultra sealed specification models and stainless steel type models.

3 Size of rolling guide

4 Number of slide units

Assembled set : C○
 Slide unit only : C1

For an assembled set, indicate the number of slide units assembled on one track rail. For a slide unit, only "C1" can be indicated.

5 Length of track rail

Assembled set : R○
 Track rail only : R○

Indicate the length of track rail in mm. For standard and maximum lengths, see "Track rail length" on page B-88.

6 Sealing

Standard specification : No symbol
 Ultra sealed specification : M
 Ultra sealed track rail mounted from the lower side : MU

For applicable specifications, see Tables 1.1 to 1.5. For the specifications of ultra sealed track rail mounted from the lower side MU, the specifications of the ultra sealed specification M are applicable. For track rail dimensions, see Table 12 on page B-91.

7 Material

High carbon steel made : No symbol
 Stainless steel made : SL

For applicable material types, see Tables 1.1 to 1.5.



LWH, LWHT, LWHD, LWHS, LWHY

Table 1.1 Models and sizes of Linear Way H flange type mounted from bottom

Size \ Model	Standard specification			Ultra sealed specification
	High carbon steel made		Stainless steel made	High carbon steel made
	Standard LWH...B	High rigidity long LWHG	Standard LWH...SL	Standard LWH...M
15	☆	—	☆	○
20	☆	☆	☆	○
25	☆	☆	☆	○
30	☆	☆	☆	○
35	☆	☆	—	○
45	☆	☆	—	○
55	☆	☆	—	—
65	☆	☆	—	—
85	—	○	—	—

Remark : The mark ☆ indicates that interchangeable specification products are available.

Table 1.2 Models and sizes of Linear Way H flange type mounted from top

Size \ Model	Standard specification			Ultra sealed specification
	High carbon steel made		Stainless steel made	High carbon steel made
	Standard LWHT...B	High rigidity long LWHTG	Standard LWHT...SL	Standard LWHT...M
8 (1)	—	—	☆	—
10 (1)	—	—	☆	—
12 (1)	☆ (2)	—	☆	—
15	☆	—	☆	○
20	☆	☆	☆	○
25	☆	☆	☆	○
30	☆	☆	☆	○
35	☆	☆	—	○
45	☆	☆	—	○
55	☆	☆	—	—
65	☆	☆	—	—
85	—	○	—	—

Note(1) : This model can also be mounted from the lower side.

(2) : "...B" is not attached to the model code.

Remark : The mark ☆ indicates that interchangeable specification products are available.

Table 1.3 Models and sizes of Linear Way H block type mounted from top

Size	Model	Standard specification					Ultra sealed specification
		High carbon steel made		Stainless steel made			High carbon steel made
		Standard LWHD...B	High rigidity long LWHDG	Short LWHDC...SL	Standard LWHD...SL	High rigidity long LWHDG...SL	Standard LWHD...M
8		—	—	☆	☆	☆	—
10		—	—	☆	☆	☆	—
12		☆ (1)	—	☆	☆	☆	—
15		☆	—	—	—	—	○
25		☆	☆	—	—	—	○
30		☆	☆	—	—	—	○
35		☆	☆	—	—	—	○
45		☆	☆	—	—	—	○
55		☆	☆	—	—	—	—
65		☆	☆	—	—	—	—

Note(1) : "...B" is not attached to the model code.
 Remark : The mark ☆ indicates that interchangeable specification products are available.

Table 1.4 Models and sizes of Linear Way H compact block type mounted from top

Size	Model	Standard specification			Ultra sealed specification
		High carbon steel made		Stainless steel made	High carbon steel made
		Standard LWHS...B	High rigidity long LWHSG	Standard LWHS...SL	Standard LWHS...M
15		☆	—	☆	○
20		☆	☆	☆	○
25		☆	☆	☆	○
30		☆	☆	☆	○

Remark : The mark ☆ indicates that interchangeable specification products are available.

Table 1.5 Models and sizes of Linear Way H side mounting type

Size	Model	Standard specification
		High carbon steel made
		Standard LWHY
15		○
20		○
25		○
30		○
35		○
45		○
55		○
65		○

Remark : Only non-interchangeable specification products are available for this type.

B

LWH, LWHT, LWHD, LWHS, LWHY

8 Preload amount

Clearance : T₀

Standard : No symbol

Light preload : T₁

Medium preload : T₂

Heavy preload : T₃

Specify this item for an assembled set or a single slide unit. For applicable preload amount, see Table 2. For details of preload amount, see page 84.

Table 2 Applicable preload types

Size	Preload type (Symbol)				
	Clearance (T ₀)	Standard (No symbol)	Light preload (T ₁)	Medium preload (T ₂)	Heavy preload (T ₃)
8	○	☆	○	—	—
10	○	☆	○	—	—
12	○	☆	○	—	—
15	—	☆	☆	☆	☆
20	—	☆	☆	☆	☆
25	—	☆	☆	☆	☆
30	—	☆	☆	☆	☆
35	—	☆	☆	☆	☆
45	—	☆	☆	☆	☆
55	—	☆	☆	☆	☆
65	—	☆	☆	☆	☆
85	—	○	○	○	○

Remark 1 : The mark ☆ indicates that it is also applicable to interchangeable specification products.
2 : For the stainless steel type, medium preload (T₂) and heavy preload (T₃) are not applicable.

9 Accuracy class

High : H

Precision : P

Super precision : SP

For applicable accuracy, see Table 3. For the interchangeable specification, combine slide units and track rails of the same class. For details of accuracy, see page 79.

Table 3 Applicable accuracy class

Size	Accuracy class (Symbol)		
	High (H)	Precision (P)	Super precision (SP)
8	☆	☆	—
10	☆	☆	—
12	☆	☆	—
15	☆	☆	○
20	☆	☆	○
25	☆	☆	○
30	☆	☆	○
35	☆	☆	○
45	☆	☆	○
55	☆	☆	○
65	☆	☆	○
85	○	○	○

Remark : The mark ☆ indicates that it is also applicable to interchangeable specification products.

10 Interchangeable code

Select group 1 : S1
 Select group 2 : S2

Specify this item for interchangeable specification products. Combine track rails and slide units with the same interchangeable code. Performance and accuracy of "S1" group and "S2" group are the same.

11 Special specification

For applicable special specifications, see Table 4. When several special specifications are required, see Table 5. For details of special specifications, see page 86.



LWH, LWHT, LWHD, LWHS, LWHY

Table 4 Special specifications

Special specification	Supplemental code	Assembled set	Track rail	Slide unit	Dimension
Butt-jointing track rail	A	○ (1)	—	—	
Stainless steel end plates	BS	☆ (2)(3)	—	☆ (2)	
Opposite reference surfaces arrangement	D	☆ (3)	—	—	
Specified rail mounting hole positions	E	☆	☆	—	
Caps for rail mounting holes	F	☆ (5)	☆ (5)	—	
Inspection sheet	I	○	—	—	
Female threads for bellows	J	☆ (3)(6)	☆ (6)(7)	☆ (6)(7)	See Table 6.1, Table 6.2, Table 6.3.
Black chrome surface treatment	L	☆ (8)	☆ (6)	—	
Fluorine black chrome surface treatment	LF	☆ (6)(13)	—	—	
Supplied without track rail mounting bolt	MN	☆	☆	—	
No end seal	N	☆ (4)	—	☆	
Rail cover plate	PS	○ (4)(9)(10)	—	—	
Capillary plates	Q	☆ (3)(4)	—	☆	See Table 7.
Seals for special environment	RE	☆ (2)(4)	—	☆ (2)	
Butt-jointing interchangeable track rail	T	☆ (6)(11)	☆ (6)	—	
Under seals ⁽¹²⁾	U	☆ (12)	—	☆ (12)	See Table 8.
Double end seals	V	☆ (6)	—	☆ (6)	See Table 9.
Matched sets to be used as an assembled group	W	○	—	—	
Specified grease	Y	☆ (13)	—	—	
Scrapers	Z	☆ (6)	—	☆ (6)	See Table 10.

Note(1) : Not applicable to size 12 of high carbon steel made models.

(2) : Applicable to size 15, 20, 25 and 30 models.

(3) : Not applicable to the side mounting type (model code: LWHY).

(4) : Not applicable to ultra sealed specification products.

(5) : Not applicable to size 8 and 10 models.

(6) : Not applicable to size 8, 10 and 12 models.

(7) : Not applicable to stainless steel made interchangeable specification products.

(8) : Only "LR" is applicable to size 8, 10 and 12 models.

(9) : Not applicable to size 12, 15 and 20 models.

(10) : Applicable to high carbon steel type.

(11) : Not applicable to non-interchangeable specification products.

(12) : Applicable to size 8, 10 and 12 models.

(13) : Not applicable to size 8, 10 and 12 models of interchangeable specification.

Remark 1 : In the table, the mark ☆ indicates that it is also applicable to interchangeable specification products.

2 : For size 85 models, no special specifications are applicable.

Table 5 Combination of special specifications

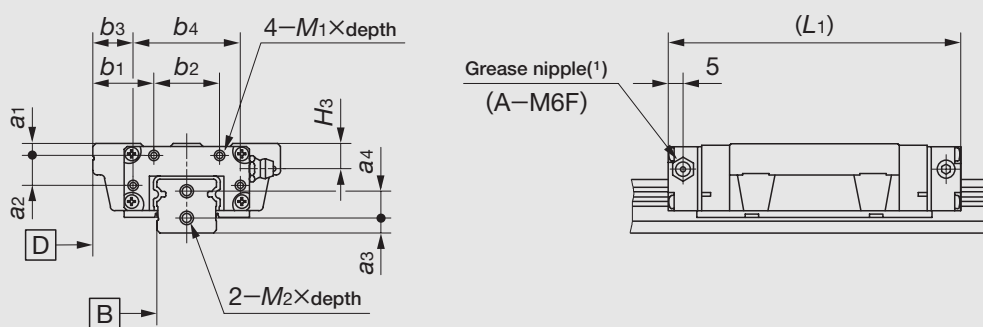
BS	○																		
D	○ ☆																		
E	- ☆ -																		
F	○ ☆ ☆ ☆																		
I	○ ○ ○ ○ ○																		
J	○ ☆ ☆ ☆ ☆ ○																		
L	○ ☆ ☆ ☆ ☆ ○ ☆																		
LF	○ ☆ ☆ ☆ ☆ ○ ☆ -																		
MN	○ ☆ ☆ ☆ ☆ ○ ☆ ☆ ☆																		
N	○ ☆ ☆ ☆ - ○ - ☆ ☆ ☆																		
PS	- ○ ○ ○ - ○ - - ○ -																		
Q	○ ☆ ☆ ☆ ☆ ○ - ☆ ☆ ☆ ☆ ○																		
RE	○ ☆ ☆ ☆ ☆ ○ ☆ ☆ ☆ ☆ - - ☆																		
T	- ☆ ☆ ☆ ☆ - - ☆ ☆ ☆ ☆ - ☆ ☆																		
U	○ - ☆ ☆ ☆ ○ - ☆ - ☆ - - ○ - -																		
V	○ ☆ ☆ ☆ ☆ ○ ★ ☆ ☆ ☆ - ○ - ☆ ☆ -																		
W	○ ○ ○ - ○ ○ ○ ○ ○ ○ ○ ○ ○																		
Y	○ ☆ ☆ ☆ ☆ ○ ☆ ☆ ☆ ☆ ☆ ○ - ☆ ☆ ☆ ☆ ○																		
Z	○ ☆ ☆ ☆ ☆ ○ ★ ☆ ☆ ☆ - - - ☆ ☆ - ★ ○ ☆																		
	A	BS	D	E	F	I	J	L	LF	MN	N	PS	Q	RE	T	U	V	W	Y

Remark 1 : In the table, the mark ☆ indicates that it is also applicable to interchangeable specification products.
 2 : In the table, the mark - indicates that this combination cannot be made.
 3 : The combinations marked ★ are applicable to non-interchangeable specification products.
 For combinations of interchangeable specification products, consult **IICO** for further information.
 4 : When several special specifications are required, arrange the supplemental codes alphabetically.



LWH, LWHT, LWHD, LWHS, LWHY

Table 6.1 Female threads for bellows for flange type (Supplemental code /J, /JJ)



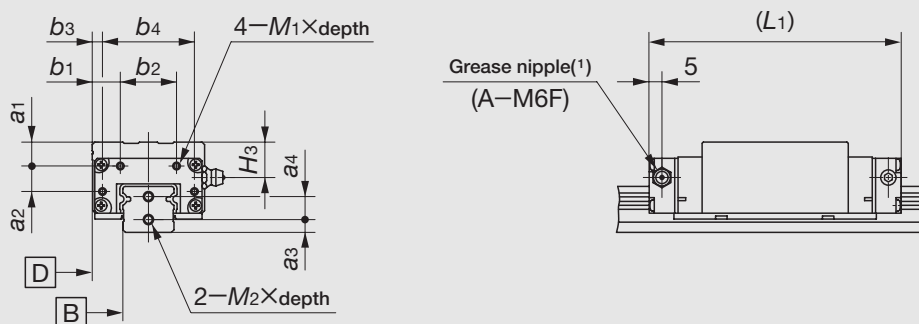
unit : mm

Model number	Slide unit							Track rail				
	a1	a2	b1	b2	b3	b4	M1×depth	L1 ⁽²⁾	H3	a3	a4	M2×depth
LWH (T) 15...B	3	7	15.5	16	9.5	28	M3× 6	83	6.5	4	8	M3× 6
LWH (T) 15...SL												
LWH (T) 15...M								86				
LWH (T) 20...B	4	10	20.5	22	13.5	36	M3× 6	99	8.5	5	9	M4× 8
LWH (T) 20...SL												
LWH (T) 20...M								103				
LWH (T) G 20								128				
LWH (T) 25...B	4	13	22	26	15	40	M3× 6	110	8.5	5	12	M4× 8
LWH (T) 25...SL												
LWH (T) 25...M								115				
LWH (T) G 25								133				
LWH (T) 30...B	5	17	28	34	20	50	M3× 6	128	11	6	14	M4× 8
LWH (T) 30...SL												
LWH (T) 30...M								133				
LWH (T) G 30								154				
LWH (T) 35...B	6	20	30	40	20	60	M3× 6	137	13	7	15	M4× 8
LWH (T) 35...M												
LWH (T) G 35								165				
LWH (T) 45...B	7	26	35	50	23	74	M4× 8	160	15	8	19	M5×10
LWH (T) 45...M												
LWH (T) G 45								203				
LWH (T) 55...B	7	32	40	60	27	86	M4× 8	196	17	8	25	M5×10
LWH (T) G 55								248				
LWH (T) 65...B	10	46	50	70	32	106	M5×10	240	20	10	28	M6×12
LWH (T) G 65								314				

Note(1) : The specification and mounting position of grease nipple are different from those of the standard specification product.
 Size 15 models are provided with a special specification grease nipple (NPB2 type). For details of dimensions, consult **IKO** for further information.

(2) : The values are for the slide unit with female threads for bellows at both ends.

Table 6.2 Female threads for bellows for block type (Supplemental code /J, /JJ)



unit : mm

Model number	Slide unit									Track rail		
	a1	a2	b1	b2	b3	b4	M1 x depth	L1 ⁽²⁾	H3	a3	a4	M2 x depth
LWHD 15...B	7	7	9	16	3	28	M3 x 6	83	10.5	4	8	M3 x 6
LWHD 15...M								86				
LWHD 25...B	8	13	11	26	4	40	M3 x 6	110	12.5	5	12	M4 x 8
LWHD 25...M								115				
LWHDG 25								133				
LWHD 30...B	8	17	13	34	5	50	M3 x 6	128	14	6	14	M4 x 8
LWHD 30...M								133				
LWHDG 30								154				
LWHD 35...B	13	20	15	40	5	60	M3 x 6	137	20	7	15	M4 x 8
LWHD 35...M								143				
LWHDG 35								165				
LWHD 45...B	17	26	18	50	6	74	M4 x 8	160	25	8	19	M5 x 10
LWHD 45...M								167				
LWHDG 45								203				
LWHD 55...B	17	32	20	60	7	86	M4 x 8	196	27	8	25	M5 x 10
LWHDG 55								248				
LWHD 65...B	10	46	28	70	10	106	M5 x 10	240	20	10	28	M6 x 12
LWHDG 65								314				

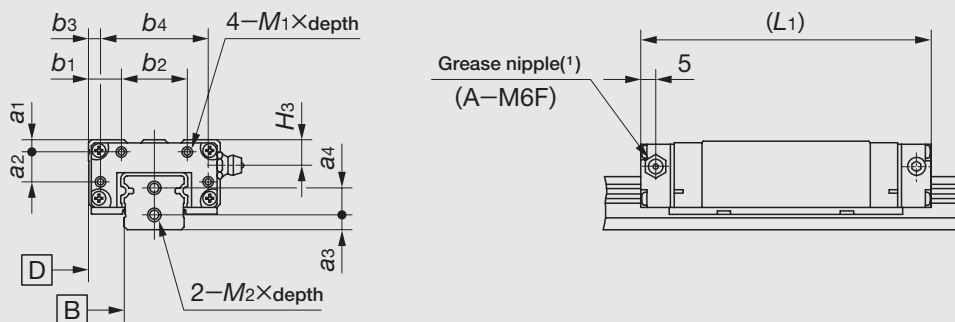
Note⁽¹⁾ : The specification and mounting position of grease nipple are different from those of the standard specification product.
 Size 15 models are provided with a special specification grease nipple (NPB2 type). For details of dimensions, consult **IKO** for further information.

⁽²⁾ : The values are for the slide unit with female threads for bellows at both ends.

B

LWH, LWHT, LWHD, LWHS, LWHY

Table 6.3 Female threads for bellows for compact block type (Supplemental code /J, /JJ)



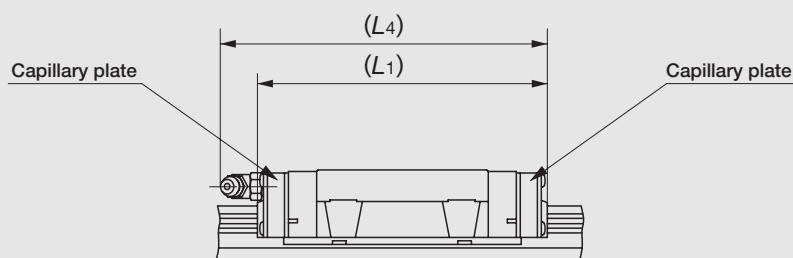
unit : mm

Model number	Slide unit									Track rail		
	a1	a2	b1	b2	b3	b4	M1×depth	L1 ⁽²⁾	H3	a3	a4	M2×depth
LWHS 15...B	3	7	9	16	3	28	M3×6	83	6.5	4	8	M3×6
LWHS 15...SL								86				
LWHS 15...M								99				
LWHS 20...B	4	10	11	22	4	36	M3×6	103	8.5	5	9	M4×8
LWHS 20...SL								128				
LWHS 20...M								110				
LWHS 25								115				
LWHS 25...B	4	13	11	26	4	40	M3×6	133	8.5	5	12	M4×8
LWHS 25...SL								128				
LWHS 25...M								133				
LWHS 25								110				
LWHS 30...B	5	17	13	34	5	50	M3×6	128	11	6	14	M4×8
LWHS 30...SL								133				
LWHS 30...M								154				
LWHS 30								128				

Note⁽¹⁾ : The specification and mounting position of grease nipple are different from those of the standard specification product.
 Size 15 models are provided with a special specification grease nipple (NPB2 type). For details of dimensions, consult **IKO** for further information.

⁽²⁾ : The values are for the slide unit with female threads for bellows at both ends.

Table 7 Slide unit with capillary plates (Supplemental code /Q)



unit : mm

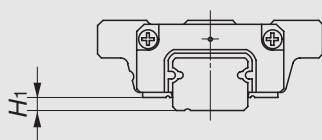
Model number	L1	L4
LWHDC 8...SL	26	—
LWHD 8...SL	32	—
LWHDG 8...SL	39	—
LWHDC 10...SL	34	—
LWHD 10...SL	42	—
LWHDG 10...SL	50	—
LWHDC 12...SL	44	48
LWHD 12	56	60
LWHD 12...SL		
LWHDG 12...SL	68	72
LWH 15...B	75	78
LWH 15...SL		
LWH 20...B	92	105
LWH 20...SL		
LWHG 20	121	134

Model number	L1	L4
LWH 25...B	105	117
LWH 25...SL		
LWHG 25	127	139
LWH 30...B	125	135
LWH 30...SL		
LWHG 30	151	161
LWH 35...B	134	146
LWHG 35	162	174
LWH 45...B	160	170
LWHG 45	203	213
LWH 55...B	196	207
LWHG 55	248	258
LWH 65...B	246	253
LWHG 65	320	327

Remark : The above table shows representative model numbers but is applicable to all models of the same size.

Table 8 H₁ dimension of slide unit with under seals (Supplemental code /U)

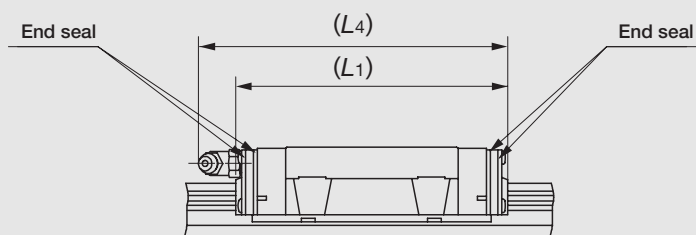
unit : mm



Model number	H ₁
LWH 8...SL	1.5
LWH 10...SL	1.8
LWH 12	3.2

Remark 1 : The above table shows representative model numbers but is applicable to all models of the same size.
 2 : H₁ dimension of size 12 models is the same as the dimension without under seals.

Table 9 Slide unit with double end seals (Supplemental code /V, /VV)



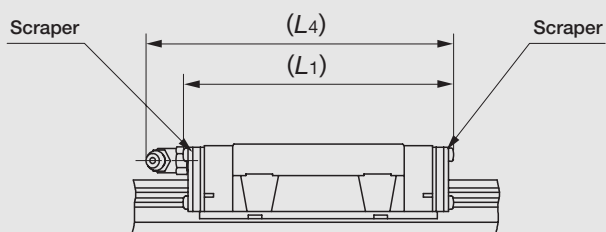
unit : mm

Model number	L1	L4
LWH 15...B	72	77
LWH 15...SL		
LWH 15...M	71	76
LWH 20...B	91	104
LWH 20...SL		
LWH 20...M	90	103
LWHG 20	119	133
LWH 25...B	104	116
LWH 25...SL		
LWH 25...M	103	115
LWHG 25	127	139
LWH 30...B	122	134
LWH 30...SL		
LWH 30...M	121	133
LWHG 30	148	160

Model number	L1	L4
LWH 35...B	133	146
LWH 35...M		
LWHG 35	161	173
LWH 45...B	159	170
LWH 45...M	158	
LWHG 45	202	213
LWH 55...B	196	206
LWHG 55	247	258
LWH 65...B	241	251
LWHG 65	316	326

Remark 1 : The above table shows representative model numbers but is applicable to all models of the same size.
 2 : The values are for the slide unit with double end seals at both ends.

Table 10 Slide unit with scrapers (Supplemental code /Z, /ZZ)



unit : mm

Model number	L1	L4
LWH 15...B	73	75
LWH 15...SL		
LWH 15...M	72	74
LWH 20...B	91	104
LWH 20...SL		
LWH 20...M	90	101
LWHG 20	119	133
LWH 25...B	104	116
LWH 25...SL		
LWH 25...M	103	113
LWHG 25	126	139

Model number	L1	L4
LWH 30...B	124	135
LWH 30...SL		
LWH 30...M	123	131
LWHG 30	150	161
LWH 35...B	133	146
LWH 35...M		
LWHG 35	161	174
LWH 45...B	160	171
LWH 45...M	159	170
LWHG 45	203	214
LWH 55...B	196	207
LWHG 55	248	258
LWH 65...B	242	252
LWHG 65	317	326

Remark 1 : The above table shows representative model numbers but is applicable to all models of the same size.
 2 : The values are for the slide unit with scrapers at both ends.

B

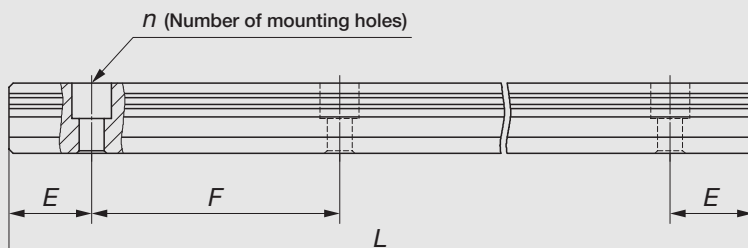
LWH, LWHT, LWHD, LWHS, LWHY

Track rail length

Standard and maximum lengths of track rails are shown in Tables 11.1, 11.2 and 11.3. Track rails of any length are also available. Simply indicate the required length of track rail in mm in the identification number. For the tolerances of E dimension and track rail length, consult **IKO** for further information.

- For track rails of non-interchangeable specification longer than the maximum length shown in Tables 11.1, 11.2 and 11.3, butt-jointing track rails are available upon request. In this case, indicate "/A" in the identification number.
- E dimensions at both ends are the same and are within the standard range of E unless otherwise specified. To change these dimensions, specify the specified rail mounting hole positions "/E" of special specification. For details, see page 89.

Table 11.1 Standard and maximum lengths of high carbon steel track rails



unit : mm

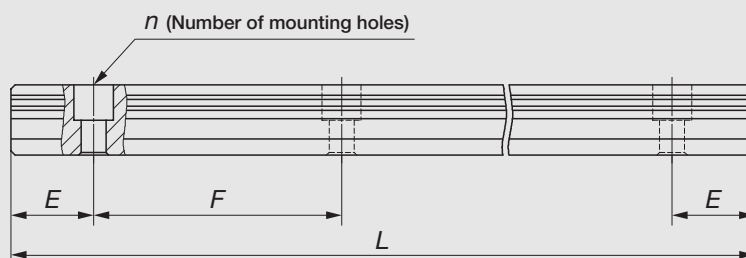
Item	Model number	LWH 12	LWH 15...B	LWH 20...B	LWH 25...B	LWH 30...B
Standard length $L(n)$		80(2)	180(3)	240(4)	240(4)	480(6)
		160(4)	240(4)	480(8)	480(8)	640(8)
		240(6)	360(6)	660(11)	660(11)	800(10)
		320(8)	480(8)	840(14)	840(14)	1 040(13)
		400(10)	660(11)	1 020(17)	1 020(17)	1 200(15)
		480(12)	900(15)	1 200(20)	1 200(20)	1 520(19)
		560(14)	1 200(20)	1 500(25)	1 500(25)	2 000(25)
		640(16)			1 980(33)	
	720(18)					
Pitch of mounting holes F		40	60	60	60	80
E		20	30	30	30	40
Standard range of $E^{(1)}$	incl.	5.5	7	8	9	10
	under	25.5	37	38	39	50
Maximum length ⁽²⁾		1 480	1 500 (3 000)	1 980 (3 000)	3 000 (3 960)	2 960 (4 000)
Item	Model number	LWH 35...B	LWH 45...B	LWH 55...B	LWH 65...B	
Standard length $L(n)$		480(6)	840(8)	840(7)	1 500(10)	
		640(8)	1 050(10)	1 200(10)	1 950(13)	
		800(10)	1 260(12)	1 560(13)	3 000(20)	
		1 040(13)	1 470(14)	1 920(16)		
		1 200(15)	1 995(19)	3 000(25)		
		1 520(19)				
Pitch of mounting holes F		80	105	120	150	
E		40	52.5	60	75	
Standard range of $E^{(1)}$	incl.	10	12.5	15	17	
	under	50	65	75	92	
Maximum length ⁽²⁾		2 960 (4 000)	2 940 (3 990)	3 000 (3 960)	3 000 (3 900)	

Note⁽¹⁾ : Not applicable to the track rail with female threads for bellows (supplemental code "/J").

⁽²⁾ : Track rails with the maximum lengths in parentheses can be manufactured. Consult **IKO** for further information.

Remark : The above table shows representative model numbers but is applicable to all models of the same size. For the ultra sealed specification, see Table 11.3 on page B-90.

Table 11.2 Standard and maximum lengths of stainless steel track rails



unit : mm

Item	Model number	LWH 8...SL	LWH 10...SL	LWH 12...SL	LWH 15...SL
Standard length $L(n)$		40(2)	50(2)	80(2)	180(3)
		80(4)	100(4)	160(4)	240(4)
		120(6)	150(6)	240(6)	360(6)
		160(8)	200(8)	320(8)	480(8)
		200(10)	250(10)	400(10)	660(11)
		240(12)	300(12)	480(12)	
		280(14)	350(14)	560(14)	
Pitch of mounting holes F		20	25	40	60
E		10	12.5	20	30
	Standard range of $E^{(1)}$				
	incl.	4.5	5	5.5	7
	under	14.5	17.5	25.5	37
Maximum length ⁽²⁾		480	850	1 000	1 200
		(1 000)	(1 000)	(1 480)	(1 500)
Item	Model number	LWH 20...SL	LWH 25...SL	LWH 30...SL	
Standard length $L(n)$		240(4)	240(4)	480(6)	
		480(8)	480(8)	640(8)	
		660(11)	660(11)	800(10)	
		840(14)	840(14)	1 040(13)	
Pitch of mounting holes F		60	60	80	
E		30	30	40	
	Standard range of $E^{(1)}$				
	incl.	8	9	10	
	under	38	39	50	
Maximum length ⁽²⁾		1 200	1 200	1 200	
		(1 980)	(1 980)	(2 000)	

Note⁽¹⁾ : Not applicable to the track rail with female threads for bellows (supplemental code "/J").

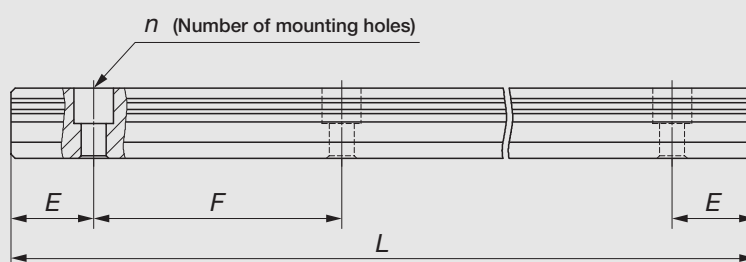
(²) : Track rails with the maximum lengths shown in parentheses can also be manufactured. Consult **IKO** for further information.

Remark : The above table shows representative model numbers but is applicable to all models of the same size.

B

LWH, LWHT, LWHD, LWHS, LWHY

Table 11.3 Standard and maximum lengths of ultra sealed type high carbon steel track rails



unit : mm

Item	Model number	LWH 15...M	LWH 20...M	LWH 25...M	LWH 30...M	LWH 35...M	LWH 45...M
Standard length $L(n)$		180(3)	240(4)	240(4)	480(6)	480(6)	840(8)
		240(4)	480(8)	480(8)	640(8)	640(8)	1 050(10)
		360(6)	660(11)	660(11)	800(10)	800(10)	1 260(12)
		480(8)	840(14)	840(14)	1 040(13)	1 040(13)	1 470(14)
		660(11)	1 020(17)	1 020(17)	1 200(15)	1 200(15)	1 995(19)
Pitch of mounting holes F		60	60	60	80	80	105
E		30	30	30	40	40	52.5
Standard range of $E^{(1)}$	incl.	7	8	9	10	10	12.5
	under	37	38	39	50	50	65
Maximum length		1 500	1 980	3 000	2 960	2 960	2 940
Maximum number of butt-jointing rails		3	3	3	3	3	3
Maximum length of butt-jointing rails		4 200	5 640	8 700	8 480	8 480	8 295

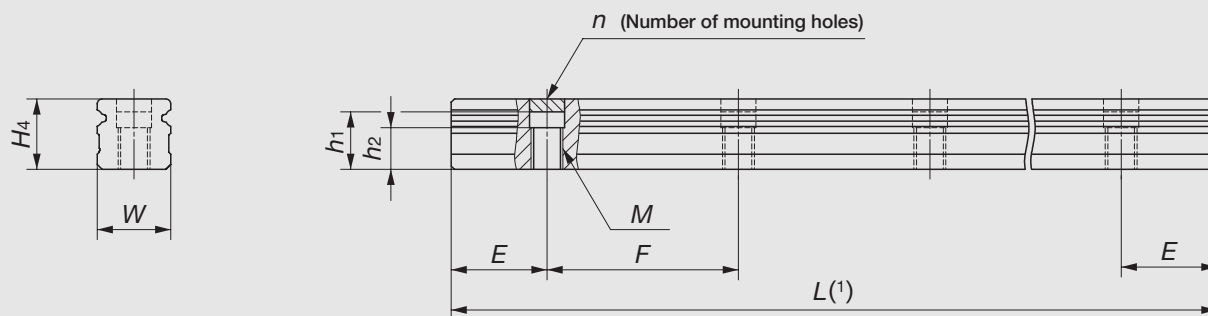
Note(1) : Not applicable to the track rail with female threads for bellows (supplemental code "/J").

Remark : The above table shows representative model numbers but is applicable to all models of the same size.

● Specification of ultra sealed type track rail mounted from the lower side

In this specification, aluminum caps are press-fitted into the track rail mounting holes in advance and the track rail is fixed from the mounting surface side. As the top surface of the track rail is flat, close contact with seals can be obtained, further improving the sealing effect.

Table12 Dimensions of ultra sealed type track rails mounted from the lower side



Model number	Mass (Ref.) kg/m	Dimensions mm						
		W	H_4	E	F	M	$h_1^{(2)}$	h_2
LWH 15...MU	1.47	15	15	30	60	M 6	12	9
LWHT 15...MU								
LWHD 15...MU								
LWHS 15...MU								
LWH 20...MU	2.56	20	18	30	60	M 8	13.5	9.5
LWHT 20...MU								
LWHS 20...MU								
LWH 25...MU	3.50	23	22	30	60	M10	18	13
LWHT 25...MU								
LWHD 25...MU								
LWHS 25...MU								
LWH 30...MU	4.82	28	25	40	80	M12	20	13
LWHT 30...MU								
LWHD 30...MU								
LWHS 30...MU								
LWH 35...MU	6.85	34	28	40	80	M12	23	16
LWHT 35...MU								
LWHD 35...MU								
LWH 45...MU	10.7	45	34	52.5	105	M16	29	17
LWHT 45...MU								
LWHD 45...MU								

Note⁽¹⁾ : For the track rail length, see Table 11.3 on page B-90.

⁽²⁾ : The mounting bolt length should be less than the h_1 dimension.

Remark : The track rail mounting bolts are not appended.

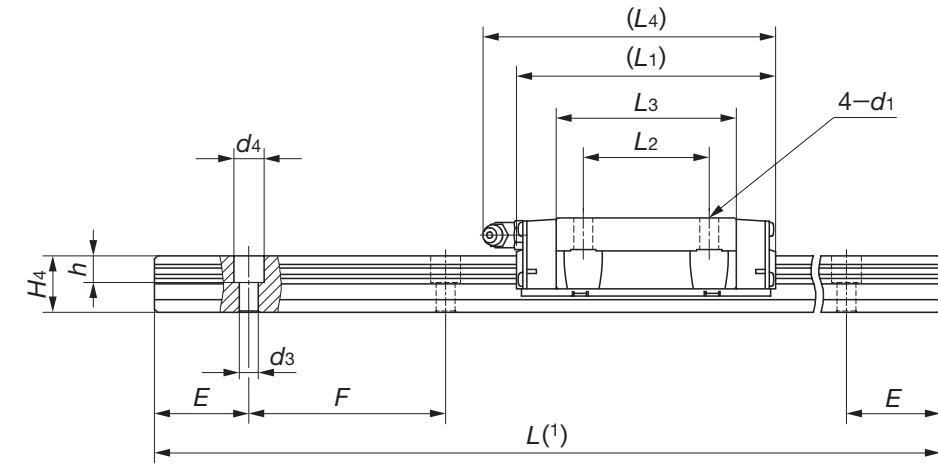
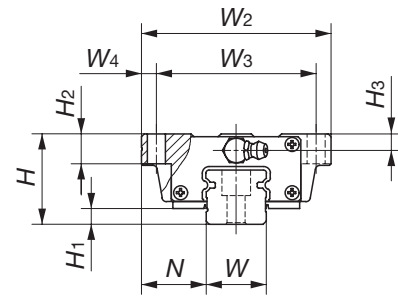
B

LWH, LWHT, LWHD, LWHS, LWHY

IKO Linear Way H : Flange type



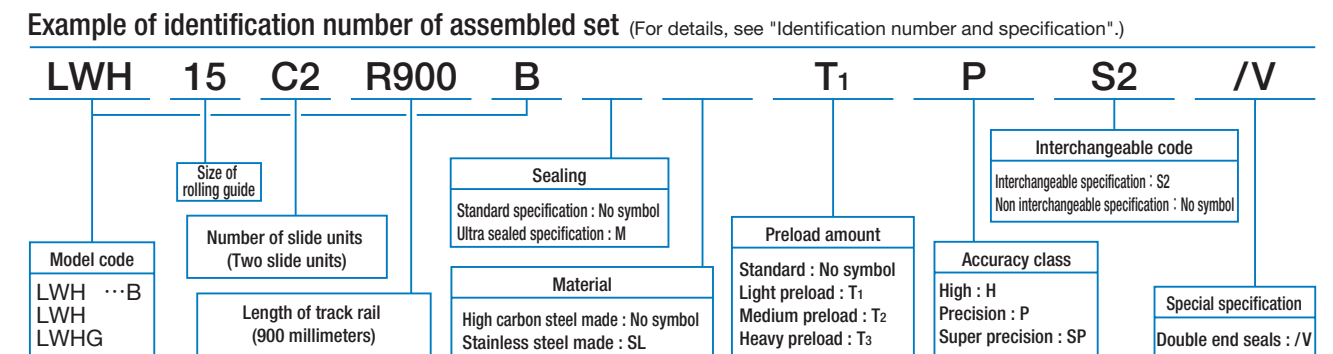
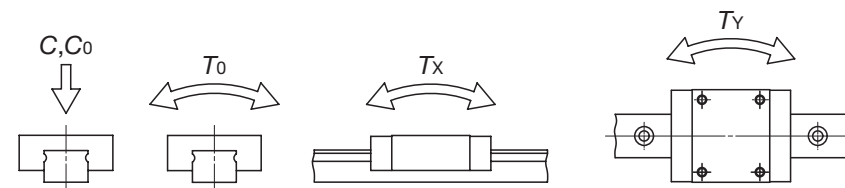
Flange type mounted from bottom
LWH ...B
LWHG
LWH ...SL(Stainless steel made)
LWH ...M(Ultra sealed type)



Model number	Interchangeable	Mass (Ref.)		Dimensions of assembly mm			Dimensions of slide unit mm							
		Slide unit kg	Track rail kg/m	H	H ₁	N	W ₂	W ₃	W ₄	L ₁	L ₂	L ₃	L ₄	d ₁
LWH 15...B	☆	0.22	1.47	24	4.5	16	47	38	4.5	66	30	44.6	69	4.5
LWH 15...SL	☆													
LWH 15...M														
LWH 20...B	☆	0.48	2.56	30	5	21.5	63	53	5	83	40	57.2	95	6
LWH 20...SL	☆													
LWH 20...M														
LWHG 20	☆	0.71								112		86	124	
LWH 25...B	☆	0.70	3.50	36	6.5	23.5	70	57	6.5	95	45	64.7	106	7
LWH 25...SL	☆													
LWH 25...M														
LWHG 25	☆	0.93								118		87.4	129	

		Dimensions of track rail mm								Mounting bolt for track rail mm	Basic dynamic load rating ^(?)	Basic static load rating ^(?)	Static moment rating ^(?)		
H ₂	H ₃	W	H ₄	d ₃	d ₄	h	E	F	Bolt size x length	C N	C ₀ N	T ₀ N·m	T _x N·m	T _y N·m	
7	4.5	15	15	4.5	8	6	30	60	M4×16	11 600	13 400	112	95.6 556	95.6 556	
10	5.5	20	18	6	9.5	8.5	30	60	M5×18	18 100	21 100	232	195 1 090	195 1 090	
										24 100	31 700	349	421 2 140	421 2 140	
10	6.5	23	22	7	11	9	30	60	M6×22	25 200	28 800	362	309 1 690	309 1 690	
										30 800	38 300	483	533 2 740	533 2 740	

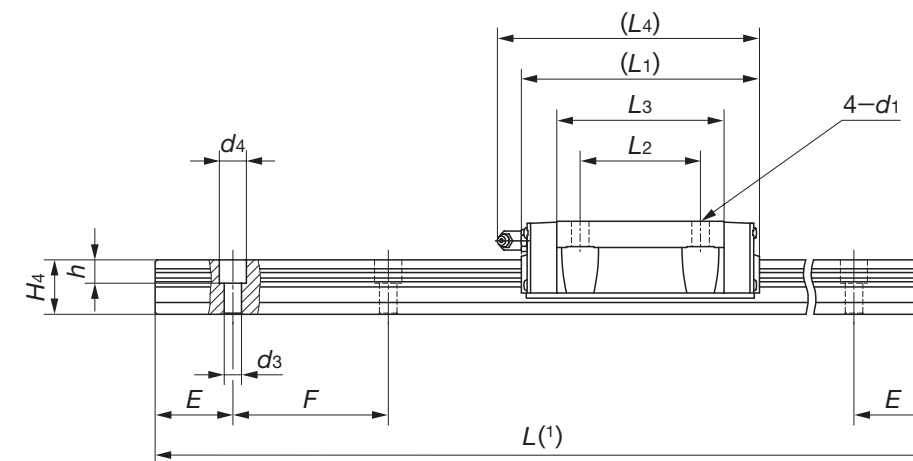
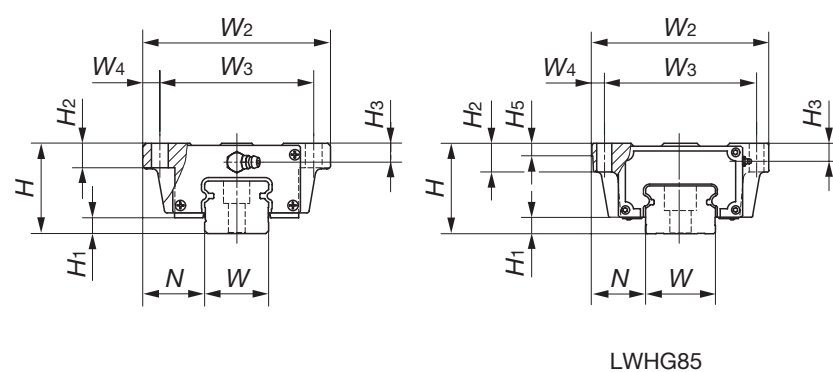
Note⁽¹⁾: Track rail lengths are shown in Table 11.1 on page B-88, Table 11.2 on page B-89 and Table 11.3 on page B-90.
 Note⁽²⁾: The directions of basic dynamic load rating (C), basic static load rating (C₀) and static moment rating (T₀, T_x, T_y) are shown in the sketches below. The upper values in the T_x and T_y columns apply to one slide unit, and the lower values apply to two slide units in close contact.
 Remark 1: The mark ☆ indicates that interchangeable specification products are available.
 2: The appended track rail mounting bolts are hexagon socket head bolts of JIS B 1176 or equivalent.
 For stainless steel type Linear Way H, stainless steel bolts are appended.
 3: For grease nipple specifications, see page 97.



IKO Linear Way H : Flange type



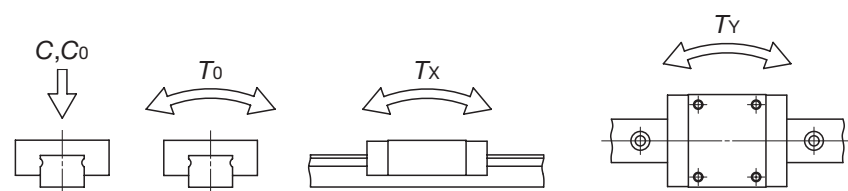
Flange type mounted from bottom
LWH ...B
LWHG
LWH ...SL(Stainless steel made)
LWH ...M(Ultra sealed type)



Model number	Interchangeable	Mass (Ref.)		Dimensions of assembly mm			Dimensions of slide unit mm																			
		Slide unit kg	Track rail kg/m	H	H ₁	N	W ₂	W ₃	W ₄	L ₁	L ₂	L ₃	L ₄	d ₁												
LWH 30...B	☆	1.28	4.82	42	7	31	90	72	9	113	52	80.6	124	9												
LWH 30...SL	☆																									
LWH 30...M																										
LWHG 30	☆	1.69								139		106.6	150													
LWH 35...B	☆	1.79	6.85	48	8	33	100	82	9	123	62	86.2	135	9												
LWH 35...M																										
LWHG 35	☆														2.35								151		114	163
LWH 45...B	☆	3.17	10.7	60	10	37.5	120	100	10	147	80	103.4	158	11												
LWH 45...M																										
LWHG 45	☆														4.34								190		146.6	201
LWH 55...B	☆	5.30	15.5	70	13	43.5	140	116	12	183	95	132	194	14												
LWHG 55	☆														7.40								235		183.6	246
LWH 65...B	☆														12.3	22.2	90	14	53.5	170	142	14	229	110	164	239
LWHG 65	☆	17.6								303		238.8	313													
LWHG 85		25.9	34.6	110	16	65	215	185	15	318	140	240	—	18												

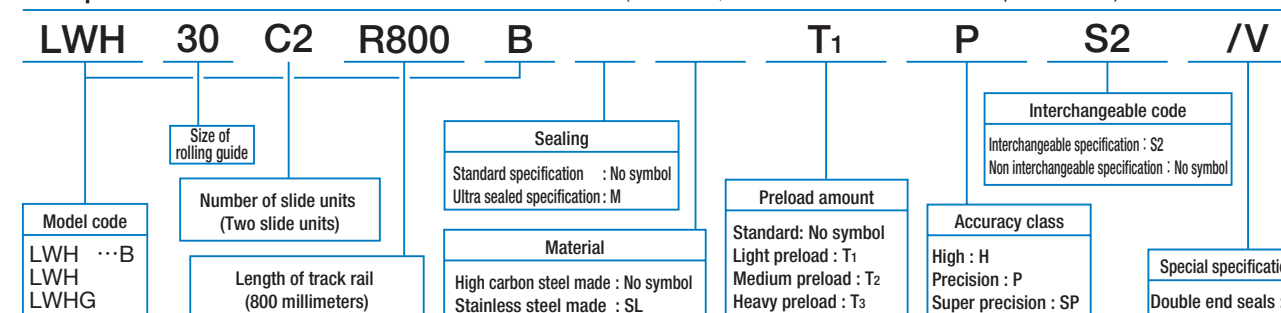
Note(1) : Track rail lengths are shown in Table 11.1 on page B-88, Table 11.2 on page B-89 and Table 11.3 on page B-90.
 (2) : The directions of basic dynamic load rating (C), basic static load rating (C₀) and static moment rating (T₀, T_x, T_y) are shown in the sketches below. The upper values in the T_x and T_y columns apply to one slide unit, and the lower values apply to two slide units in close contact.

Remark 1 : The mark ☆ indicates that interchangeable specification products are available.
 2 : The appended track rail mounting bolts are hexagon socket head bolts of JIS B 1176 or equivalent. For stainless steel type Linear Way H, stainless steel bolts are appended.
 3 : For grease nipple specifications, see page 97.



H ₂	H ₃	H ₅	Dimensions of track rail mm							Mounting bolt for track rail mm Bolt size x length	Basic dynamic load rating ⁽²⁾ C N	Basic static load rating ⁽²⁾ C ₀ N	Static moment rating ⁽²⁾		
			W	H ₄	d ₃	d ₄	h	E	F				T ₀ N·m	T _x N·m	T _y N·m
10	8	—	28	25	9	14	12	40	80	M 8×28	35 400	40 700	623	536	536
											2 820	2 820	894	894	
13	10	—	34	28	9	14	12	40	80	M 8×28	42 700	53 200	814	894	894
											4 460	4 460	631	579	
15	13	—	45	34	14	20	17	52.5	105	M12×35	48 700	53 700	823	1 090	1 000
											59 500	71 600	1 100	5 570	5 110
17	14	—	53	41	16	23	20	60	120	M14×45	74 600	80 200	1 610	1 150	1 160
											6 190	5 690	2 240	2 050	
23	20	—	63	48	18	26	22	75	150	M16×50	113 000	121 000	2 870	2 210	2 030
											11 600	10 600	4 120	3 780	
30	22	15	85	58	26	39	30	90	180	M24×60	142 000	168 000	3 970	4 130	3 790
											20 200	18 500	4 130	3 790	
											176 000	184 000	5 180	22 000	20 200
											229 000	269 000	7 560	8 530	7 810
											374 000	384 000	11 900	41 500	38 100
														11 100	11 100
														55 100	55 300

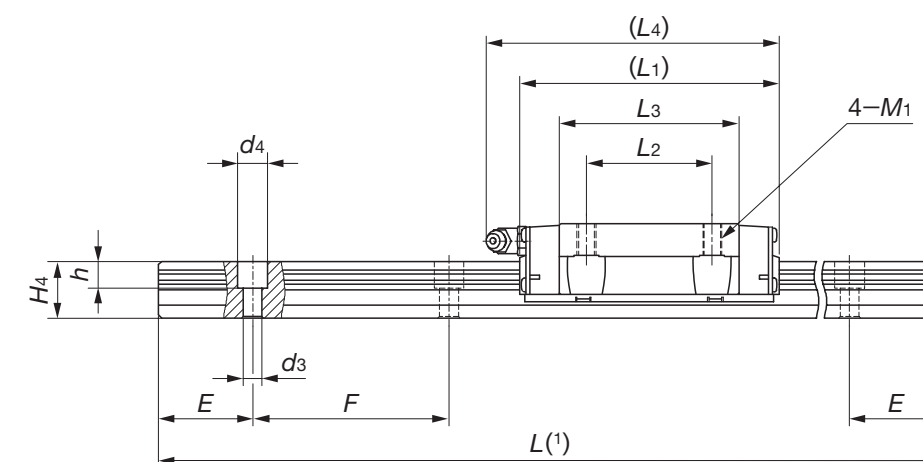
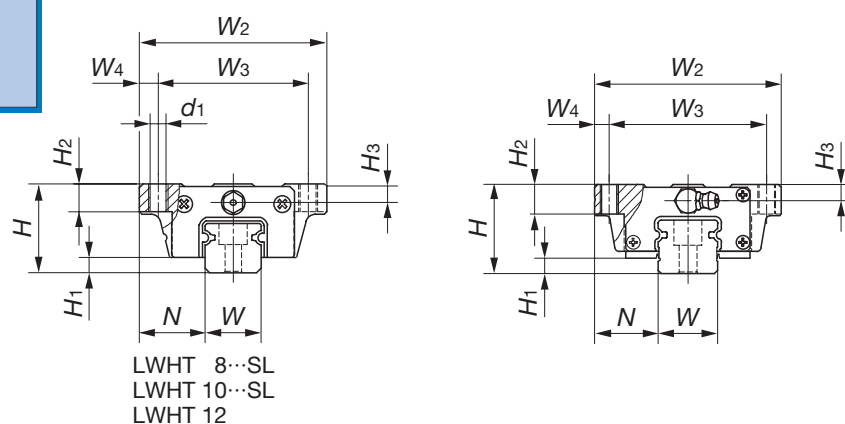
Example of identification number of assembled set (For details, see "Identification number and specification".)



IKO Linear Way H : Flange type

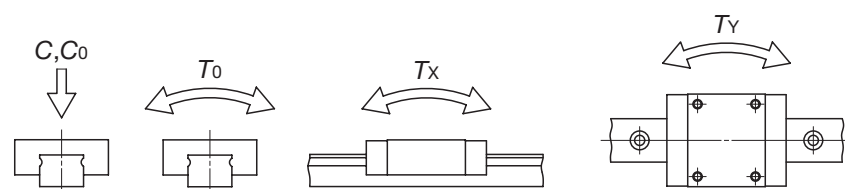


Flange type mounted from top
LWHT ...B
LWHTG
LWHT ...SL(Stainless steel made)
LWHT ...M(Ultra sealed type)



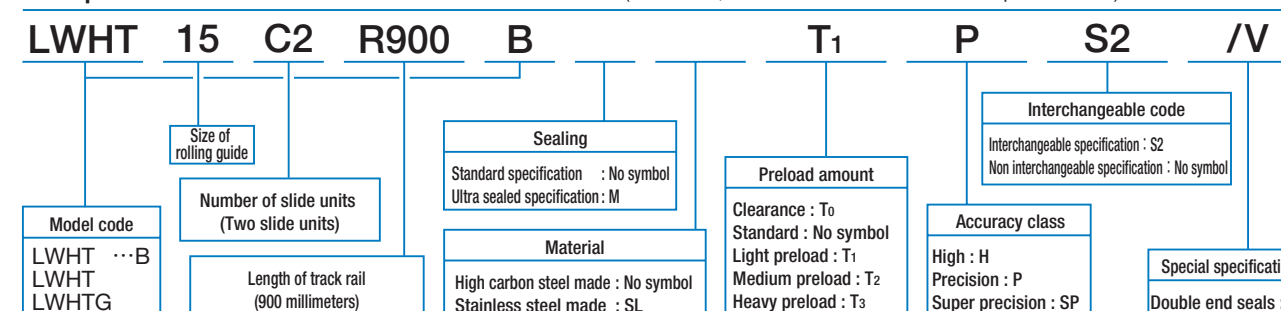
Model number	Interchangeable	Mass (Ref.)		Dimensions of assembly mm			Dimensions of slide unit mm							
		Slide unit kg	Track rail kg/m	H	H ₁	N	W ₂	W ₃	W ₄	L ₁	L ₂	L ₃	L ₄	d ₁ ⁽³⁾
LWHT 8...SL	☆	0.015	0.32	10	2.1	8	24	19	2.5	24	10	15.3	—	1.9
LWHT 10...SL	☆	0.032	0.47	12	2.4	10	30	24	3	32	12	21.4	—	2.6
LWHT 12	☆	0.11	0.86	19	3.2	14	40	32	4	46	15	31.6	50	3.4
LWHT 12...SL	☆													
LWHT 15...B	☆	0.22	1.47	24	4.5	16	47	38	4.5	66	30	44.6	69	—
LWHT 15...SL	☆													
LWHT 15...M														
LWHT 20...B	☆	0.48	2.56	30	5	21.5	63	53	5	83	40	57.2	95	—
LWHT 20...SL	☆													
LWHT 20...M														
LWHTG 20	☆	0.71								112		86	124	
LWHT 25...B	☆	0.70	3.50	36	6.5	23.5	70	57	6.5	95	45	64.7	106	—
LWHT 25...SL	☆													
LWHT 25...M														
LWHTG 25	☆	0.93								118		87.4	129	

Note(1) : Track rail lengths are shown in Table 11.1 on page B-88, Table 11.2 on page B-89 and Table 11.3 on page B-90.
 (2) : The directions of basic dynamic load rating (C), basic static load rating (C₀) and static moment rating (T₀, T_x, T_y) are shown in the sketches below. The upper values in the T_x and T_y columns apply to one slide unit, and the lower values apply to two slide units in close contact.
 (3) : LWHT8...SL, LWHT10...SL and LWHT12...SL can also be mounted from the lower side.
 Remark 1 : The mark ☆ indicates that interchangeable specification products are available.
 2 : The appended track rail mounting bolts are hexagon socket head bolts of JIS B 1176 or equivalent.
 For stainless steel type Linear Way H, stainless steel bolts are appended.
 3 : For grease nipple and oil hole specifications, see page 97.
 4 : LWHT8...SL and LWHT10...SL are provided with an oil hole.



M ₁	H ₂	H ₃	Dimensions of track rail mm							Mounting bolt for track rail mm Bolt size x length	Basic dynamic load rating ⁽²⁾ C N	Basic static load rating ⁽²⁾ C ₀ N	Static moment rating ⁽²⁾		
			W	H ₄	d ₃	d ₄	h	E	F				T ₀ N·m	T _x N·m	T _y N·m
M2.3	3.5	2	8	6	2.4	4.2	2.3	10	20	M2× 8	1 510	2 120	8.8	5.5 32.0	4.7 26.9
M3	4.5	2.5	10	7	3.5	6	3.5	12.5	25	M3× 8	2 640	3 700	19.2	13.3 73.8	11.1 61.9
M4	6	4	12	10.5	3.5	6	4.5	20	40	M3× 12	6 260	8 330	51.6	44.7 237	37.5 199
M5	7	4.5	15	15	4.5	8	6	30	60	M4× 16	11 600	13 400	112	95.6 556	95.6 556
M6	10	5.5	20	18	6	9.5	8.5	30	60	M5× 18	18 100	21 100	232	195 1 090	195 1 090
M8	10	6.5	23	22	7	11	9	30	60	M6× 22	25 200	28 800	362	309 1 690	309 1 690
											30 800	38 300	483	533 2 740	533 2 740

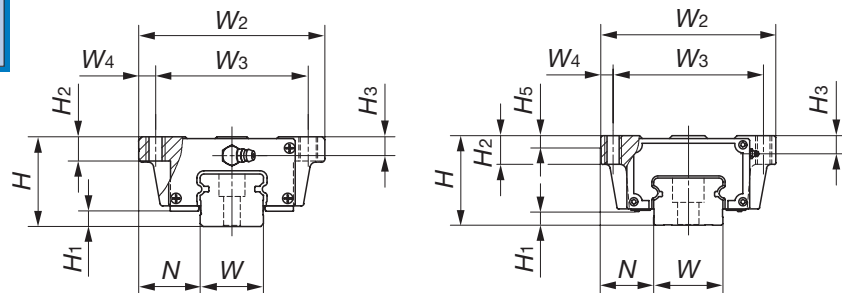
Example of identification number of assembled set (For details, see "Identification number and specification".)



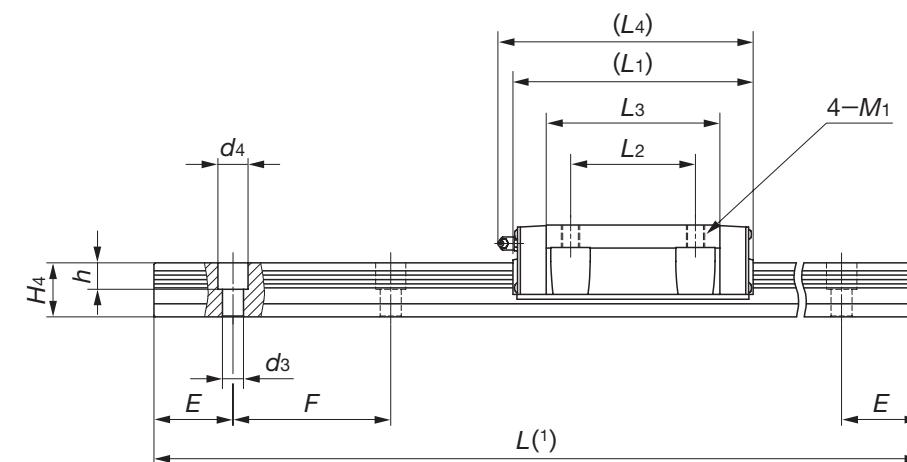
IKO Linear Way H : Flange type



Flange type mounted from top
LWHT ...B
LWHTG
LWHT ...SL (Stainless steel made)
LWHT ...M (Ultra sealed type)



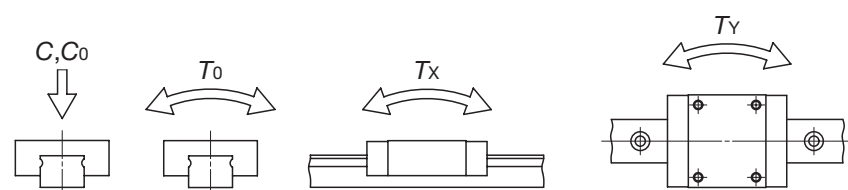
LWHTG 85



Model number	Interchangeable	Mass (Ref.)		Dimensions of assembly mm			Dimensions of slide unit mm							
		Slide unit kg	Track rail kg/m	H	H ₁	N	W ₂	W ₃	W ₄	L ₁	L ₂	L ₃	L ₄	M ₁
LWHT 30...B	☆	1.28	4.82	42	7	31	90	72	9	113	52	80.6	124	M 10
LWHT 30...SL	☆													
LWHT 30...M														
LWHTG 30	☆	1.69								139		106.6	150	
LWHT 35...B	☆	1.79	6.85	48	8	33	100	82	9	123	62	86.2	135	M 10
LWHT 35...M														
LWHTG 35	☆													
LWHT 45...B	☆	3.17	10.7	60	10	37.5	120	100	10	147	80	103.4	158	M 12
LWHT 45...M														
LWHTG 45	☆													
LWHT 55...B	☆	5.30	15.5	70	13	43.5	140	116	12	183	95	132	194	M 14
LWHTG 55	☆													
LWHT 65...B	☆													
LWHT 65...M	☆	12.3	22.2	90	14	53.5	170	142	14	229	110	164	239	M 16
LWHTG 65	☆													
LWHTG 85		25.9	34.6	110	16	65	215	185	15	318	140	240	—	M 20

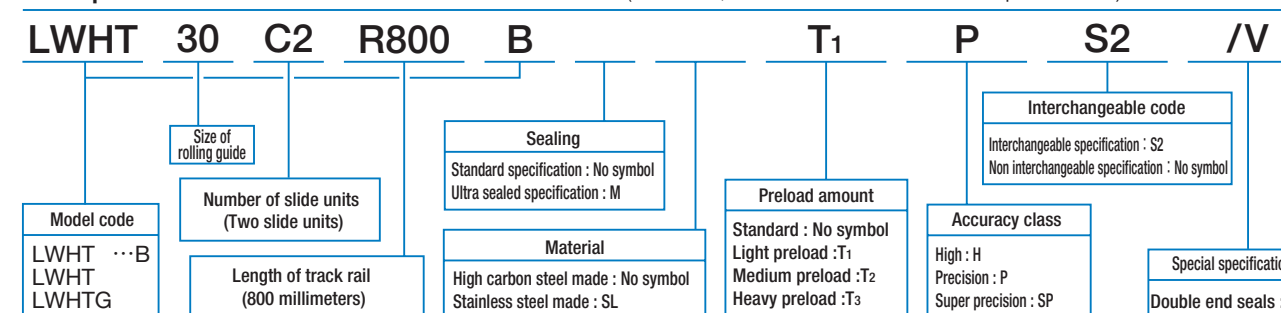
Note(1) : Track rail lengths are shown in Table 11.1 on page B-88, Table 11.2 on page B-89 and Table 11.3 on page B-90.
 (2) : The directions of basic dynamic load rating (C), basic static load rating (C₀) and static moment rating (T₀, T_x, T_y) are shown in the sketches below. The upper values in the T_x and T_y columns apply to one slide unit, and the lower values apply to two slide units in close contact.

Remark 1 : The mark ☆ indicates that interchangeable specification products are available.
 2 : The appended track rail mounting bolts are hexagon socket head bolts of JIS B 1176 or equivalent. For stainless steel type Linear Way H, stainless steel bolts are appended.
 3 : For grease nipple specifications, see page 97.



H ₂	H ₃	H ₅	Dimensions of track rail mm								Mounting bolt for track rail mm Bolt size × length	Basic dynamic load rating ⁽²⁾ C N	Basic static load rating ⁽²⁾ C ₀ N	Static moment rating ⁽²⁾		
			W	H ₄	d ₃	d ₄	h	E	F	T ₀ N·m				T _x N·m	T _y N·m	
10	8	—	28	25	9	14	12	40	80	M 8×28	35 400	40 700	623	536 2 820	536 2 820	
																42 700
13	10	—	34	28	9	14	12	40	80	M 8×28	48 700	53 700	823	631 3 480	579 3 190	
																59 500
15	13	—	45	34	14	20	17	52.5	105	M12×35	74 600	80 200	1 610	1 150 6 190	1 060 5 690	
																95 200
17	14	—	53	41	16	23	20	60	120	M14×45	113 000	121 000	2 870	2 210 11 600	2 030 10 600	
																142 000
23	20	—	63	48	18	26	22	75	150	M16×50	176 000	184 000	5 180	4 130 22 000	3 790 20 200	
																229 000
35	22	15	85	58	26	39	30	90	180	M24×60	374 000	384 000	11 900	11 100 55 100	11 100 55 300	

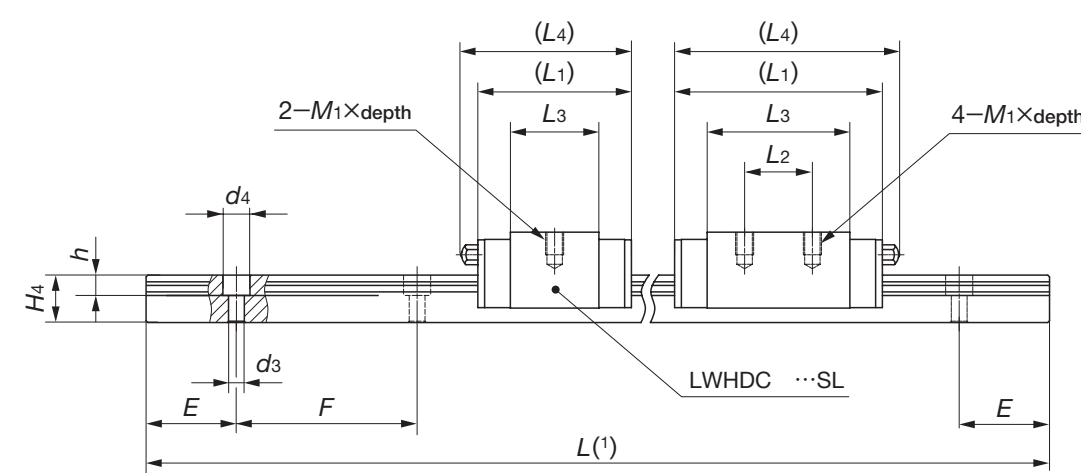
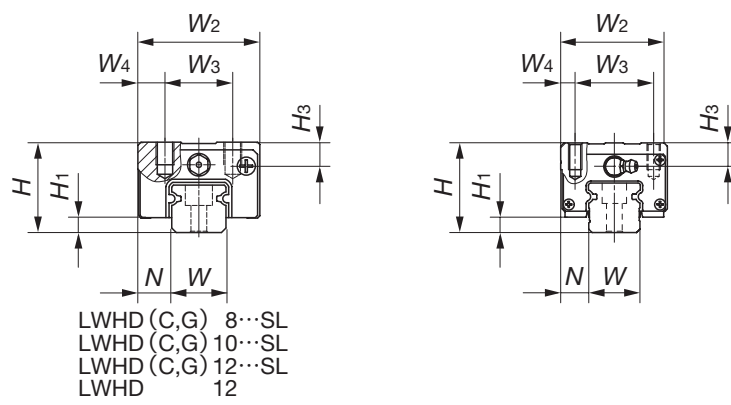
Example of identification number of assembled set (For details, see "Identification number and specification".)



IKO Linear Way H : Block type

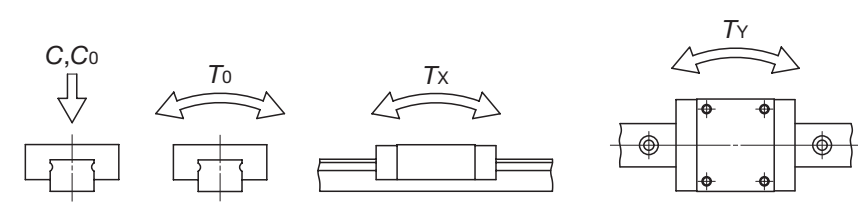


Block type mounted from top
LWHD ...B
LWHDG
LWHDG...SL (Stainless steel made)
LWHD ...SL (Stainless steel made)
LWHDG...SL (Stainless steel made)
LWHD ...M (Ultra sealed type)



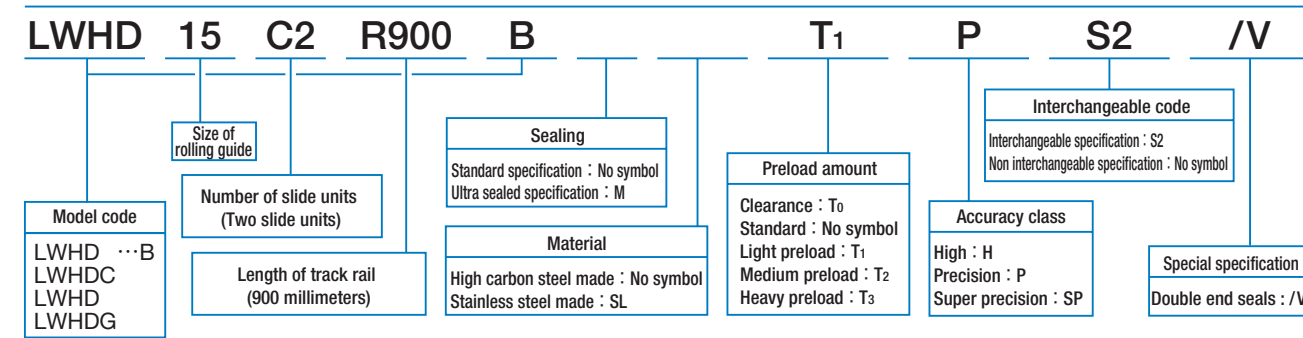
Model number	Interchangeable	Mass (Ref.)		Dimensions of assembly mm			Dimensions of slide unit mm							
		Slide unit kg	Track rail kg/m	H	H ₁	N	W ₂	W ₃	W ₄	L ₁	L ₂	L ₃	L ₄	M ₁ × depth
LWHDG 8...SL	☆	0.008	0.32	11	2.1	4	16	10	3	18	—	9.0	—	M2 × 2.5
LWHD 8...SL	☆	0.013								24	10	15.3		
LWHDG 8...SL	☆	0.018								30.5	21.7			
LWHDG 10...SL	☆	0.018	0.47	13	2.4	5	20	13	3.5	24	—	13.4	—	M2.6 × 3
LWHD 10...SL	☆	0.027								32	12	21.4		
LWHDG 10...SL	☆	0.036								40	29.4			
LWHDG 12...SL	☆	0.058	0.86	20	3.2	7.5	27	15	6	34	—	19.6	38	M4 × 5
LWHD 12	☆	0.091								46	15	31.6	50	
LWHDG 12...SL	☆	0.118								58	43.6	62		
LWHD 15...B	☆	0.23	1.47	28	4.5	9.5	34	26	4	66	26	44.6	69	M4 × 10
LWHD 15...M	☆									95	35	64.7	106	
LWHD 25...B	☆	0.65	3.50	40	6.5	12.5	48	35	6.5	95	35	64.7	106	M6 × 12
LWHD 25...M	☆									118	50	87.4	129	
LWHDG 25	☆	0.80												

Note(1) : Track rail lengths are shown in Table 11.1 on page B-88, Table 11.2 on page B-89 and Table 11.3 on page B-90.
 (2) : The directions of basic dynamic load rating (C), basic static load rating (C₀) and static moment rating (T₀, T_x, T_y) are shown in the sketches below. The upper values in the T_x and T_y columns apply to one slide unit, and the lower values apply to two slide units in close contact.
 Remark 1 : The mark ☆ indicates that interchangeable specification products are available.
 2 : The appended track rail mounting bolts are hexagon socket head bolts of JIS B 1176 or equivalent. For stainless steel type Linear Way H, stainless steel bolts are appended.
 3 : For grease nipple and oil hole specifications, see page 97.
 4 : LWHD8...SL and LWHD10...SL are provided with an oil hole.



H ₃	Dimensions of track rail mm								Mounting bolt for track rail mm Bolt size × length	Basic dynamic load rating ⁽²⁾ C N	Basic static load rating ⁽²⁾ C ₀ N	Static moment rating ⁽²⁾		
	W	H ₄	d ₃	d ₄	h	E	F	T ₀ N·m				T _x N·m	T _y N·m	
3	8	6	2.4	4.2	2.3	10	20	M2 × 8	1 050	1 270	5.3	2.2 15.5	1.8 13.0	
									1 510	2 120	8.8	5.5 32.0	4.7 26.9	
									1 910	2 970	12.3	10.4 55.4	8.8 46.4	
3.5	10	7	3.5	6	3.5	12.5	25	M3 × 8	1 920	2 350	12.2	5.8 37.1	4.8 31.2	
									2 640	3 700	19.2	13.3 73.8	11.1 61.9	
									3 280	5 050	26.2	23.8 123	20.0 103	
5	12	10.5	3.5	6	4.5	20	40	M3 × 12	4 560	5 300	32.8	19.4 117	16.3 98.5	
									6 260	8 330	51.6	44.7 237	37.5 199	
									7 780	11 400	70.4	80.4 399	67.5 335	
8.5	15	15	4.5	8	6	30	60	M4 × 16	11 600	13 400	112	95.6 556	95.6 556	
									25 200	28 800	362	309 1 690	309 1 690	
10.5	23	22	7	11	9	30	60	M6 × 22	30 800	38 300	483	533 2 740	533 2 740	

Example of identification number of assembled set (For details, see "Identification number and specification".)

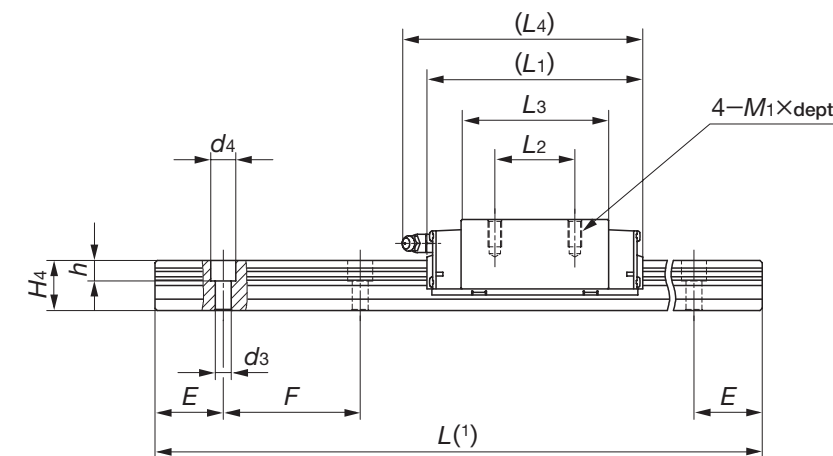
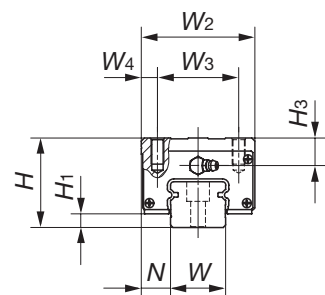


B
LWH, LWHT, LWHD, LWHS, LWHY

IKO Linear Way H : Block type



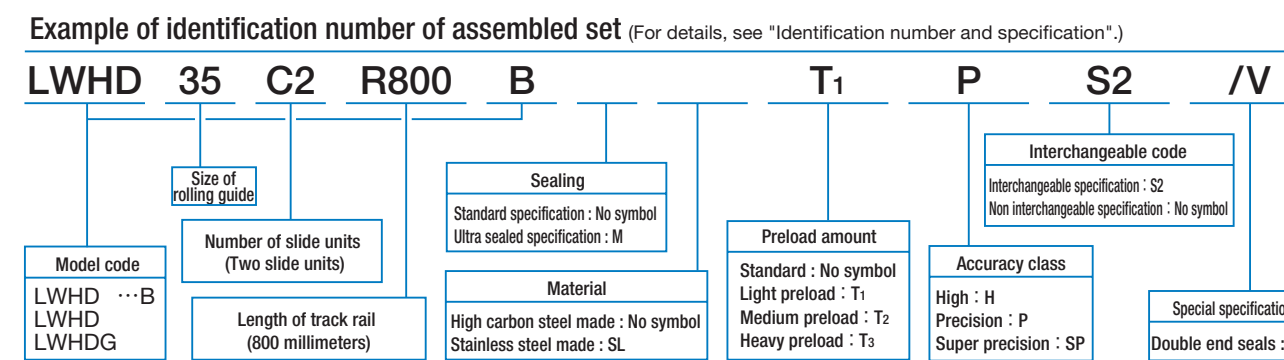
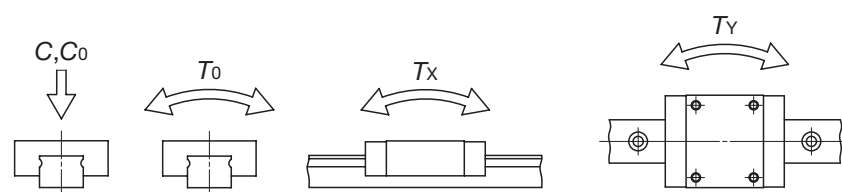
Block type mounted from top
LWHD ...B
LWHDG
LWHD ...M (Ultra sealed type)



Model number	Interchangeable	Mass (Ref.)		Dimensions of assembly mm			Dimensions of slide unit mm							
		Slide unit kg	Track rail kg/m	H	H ₁	N	W ₂	W ₃	W ₄	L ₁	L ₂	L ₃	L ₄	M ₁ ×depth
LWHD 30...B	☆	1.12	4.82	45	7	16	60	40	10	113	40	80.6	124	M8 × 16
LWHD 30...M	☆									139	60	106.6	150	
LWHDG 30	☆	1.44	6.85	55	8	18	70	50	10	123	50	86.2	135	M8 × 16
LWHD 35...B	☆	1.74								151	72	114	163	
LWHD 35...M	☆	2.26	10.7	70	10	20.5	86	60	13	147	60	103.4	158	M10×20
LWHDG 35	☆	4.57								190	80	146.6	201	
LWHD 45...B	☆	5.36	15.5	80	13	23.5	100	75	12.5	183	75	132	194	M12×25
LWHD 45...M	☆									3.30	235	95	183.6	
LWHDG 45	☆	4.57	22.2	90	14	31.5	126	76	25	229	70	164	239	M16×30
LWHD 55...B	☆	7.20								303	120	238.8	313	
LWHDG 55	☆	7.20	9.80	90	14	31.5	126	76	25	229	70	164	239	M16×30
LWHD 65...B	☆	14.3								303	120	238.8	313	
LWHDG 65	☆	14.3	22.2	90	14	31.5	126	76	25	229	70	164	239	M16×30
LWHD 65...M	☆	14.3								303	120	238.8	313	

H ₃	Dimensions of track rail mm							Mounting bolt for track rail mm Bolt size × length	Basic dynamic load rating ⁽²⁾ C N	Basic static load rating ⁽²⁾ C ₀ N	Static moment rating ⁽²⁾		
	W	H ₄	d ₃	d ₄	h	E	F				T ₀ N·m	T _x N·m	T _y N·m
11	28	25	9	14	12	40	80	M8 × 28	35 400	40 700	623	536 2 820	536 2 820
									42 700	53 200	814	894 4 460	894 4 460
17	34	28	9	14	12	40	80	M8 × 28	48 700	53 700	823	631 3 480	579 3 190
									59 500	71 600	1 100	1 090 5 570	1 000 5 110
23	45	34	14	20	17	52.5	105	M12×35	74 600	80 200	1 610	1 150 6 190	1 060 5 690
									95 200	114 000	2 280	2 240 11 100	2 050 10 200
24	53	41	16	23	20	60	120	M14×45	113 000	121 000	2 870	2 210 11 600	2 030 10 600
									142 000	168 000	3 970	4 120 20 200	3 780 18 500
20	63	48	18	26	22	75	150	M16×50	176 000	184 000	5 180	4 130 22 000	3 790 20 200
									229 000	269 000	7 560	8 530 41 500	7 810 38 100

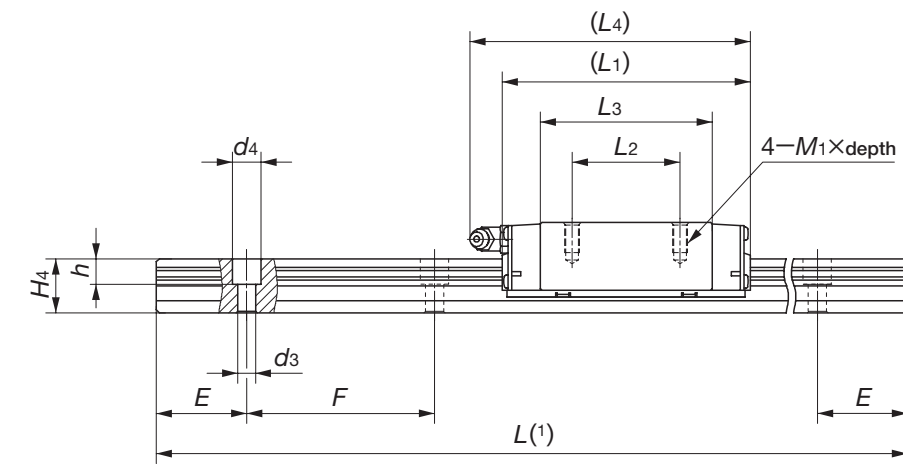
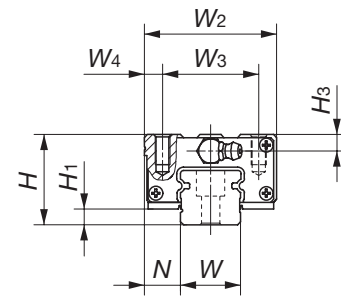
Note⁽¹⁾ : Track rail lengths are shown in Table 11.1 on page B-88, Table 11.2 on page B-89 and Table 11.3 on page B-90.
⁽²⁾ : The directions of basic dynamic load rating (C), basic static load rating (C₀) and static moment rating (T₀, T_x, T_y) are shown in the sketches below. The upper values in the T_x and T_y columns apply to one slide unit, and the lower values apply to two slide units in close contact.
 Remark 1 : The mark ☆ indicates that interchangeable specification products are available.
 2 : The appended track rail mounting bolts are hexagon socket head bolts of JIS B 1176 or equivalent. For stainless steel type Linear Way H, stainless steel bolts are appended.
 3 : For grease nipple specifications, see page 97.



IKO Linear Way H : Compact block type



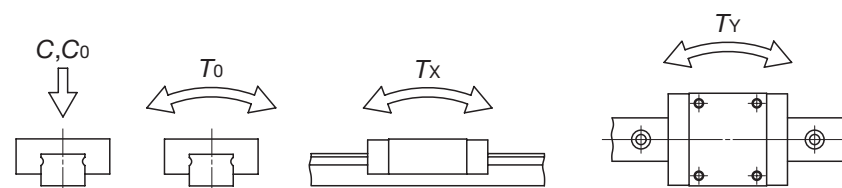
Compact block type mounted from top
LWHS ...B
LWHS
LWHS ...SL (Stainless steel made)
LWHS ...M (Ultra sealed type)



Model number	Interchangeable	Mass (Ref.)		Dimensions of assembly mm			Dimensions of slide unit mm							
		Slide unit kg	Track rail kg/m	H	H ₁	N	W ₂	W ₃	W ₄	L ₁	L ₂	L ₃	L ₄	M ₁ × depth
LWHS 15...B	☆	0.18	1.47	24	4.5	9.5	34	26	4	66	26	44.6	69	M4 × 8
LWHS 15...SL	☆													
LWHS 15...M														
LWHS 20...B	☆	0.36	2.56	30	5	12	44	32	6	83	36	57.2	95	M5 × 10
LWHS 20...SL	☆													
LWHS 20...M														
LWHSG 20	☆	0.53								112	50	86	124	
LWHS 25...B	☆	0.55	3.50	36	6.5	12.5	48	35	6.5	95	35	64.7	106	M6 × 12
LWHS 25...SL	☆													
LWHS 25...M														
LWHSG 25	☆	0.67								118	50	87.4	129	
LWHS 30...B	☆	1.00	4.82	42	7	16	60	40	10	113	40	80.6	124	M8 × 16
LWHS 30...SL	☆													
LWHS 30...M														
LWHSG 30	☆	1.29								139	60	106.6	150	

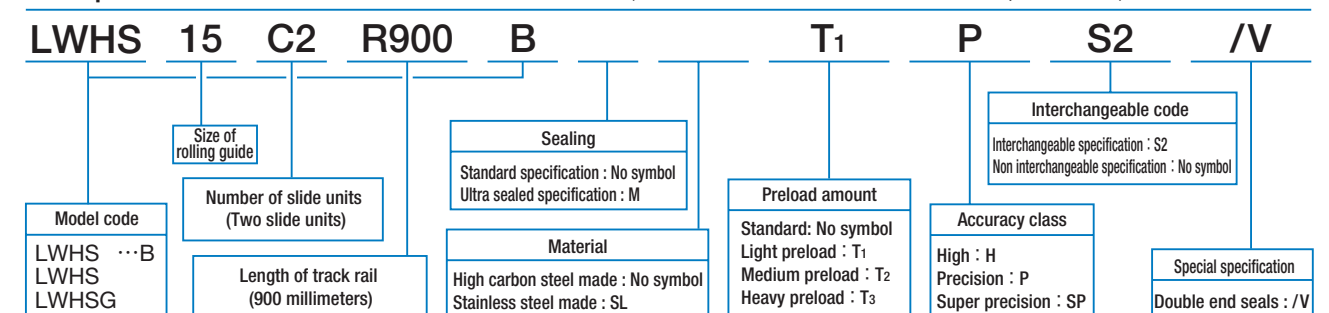
Note(1) : Track rail lengths are shown in Table 11.1 on page B-88, Table 11.2 on page B-89 and Table 11.3 on page B-90.
 (2) : The directions of basic dynamic load rating (C), basic static load rating (C₀) and static moment rating (T₀, T_x, T_y) are shown in the sketches below. The upper values in the T_x and T_y columns apply to one slide unit, and the lower values apply to two slide units in close contact.

Remark 1 : The mark ☆ indicates that interchangeable specification products are available.
 2 : The appended track rail mounting bolts are hexagon socket head bolts of JIS B 1176 or equivalent. For stainless steel type Linear Way H, stainless steel bolts are appended.
 3 : For grease nipple specifications, see page 97.



H ₃	Dimensions of track rail mm								Mounting bolt for track rail mm Bolt size × length	Basic dynamic load rating ⁽²⁾ C N	Basic static load rating ⁽²⁾ C ₀ N	Static moment rating ⁽²⁾		
	W	H ₄	d ₃	d ₄	h	E	F	T ₀ N·m				T _x N·m	T _y N·m	
4.5	15	15	4.5	8	6	30	60	M4 × 16	11 600	13 400	112	95.6 556	95.6 556	
5.5	20	18	6	9.5	8.5	30	60	M5 × 18	18 100	21 100	232	195 1 090	195 1 090	
									24 100	31 700	349	421 2 140	421 2 140	
6.5	23	22	7	11	9	30	60	M6 × 22	25 200	28 800	362	309 1 690	309 1 690	
									30 800	38 300	483	533 2 740	533 2 740	
8	28	25	9	14	12	40	80	M8 × 28	35 400	40 700	623	536 2 820	536 2 820	
									42 700	53 200	814	894 4 460	894 4 460	

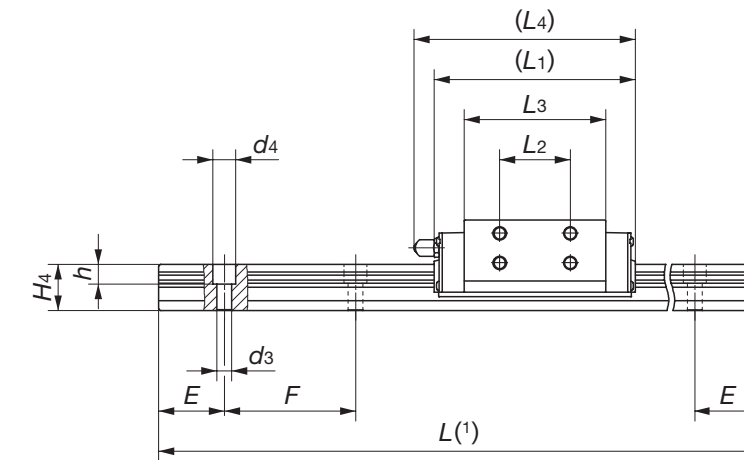
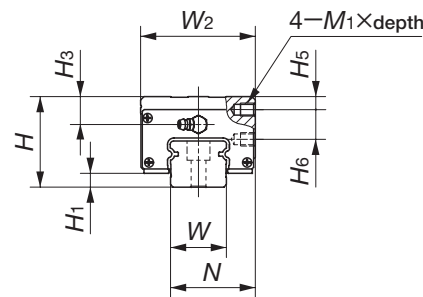
Example of identification number of assembled set (For details, see "Identification number and specification".)



IKO Linear Way H : Side mounting type

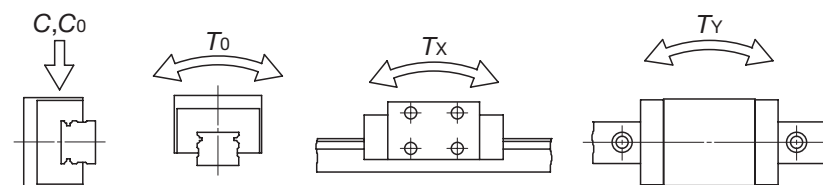


Side mounting type
LWHY



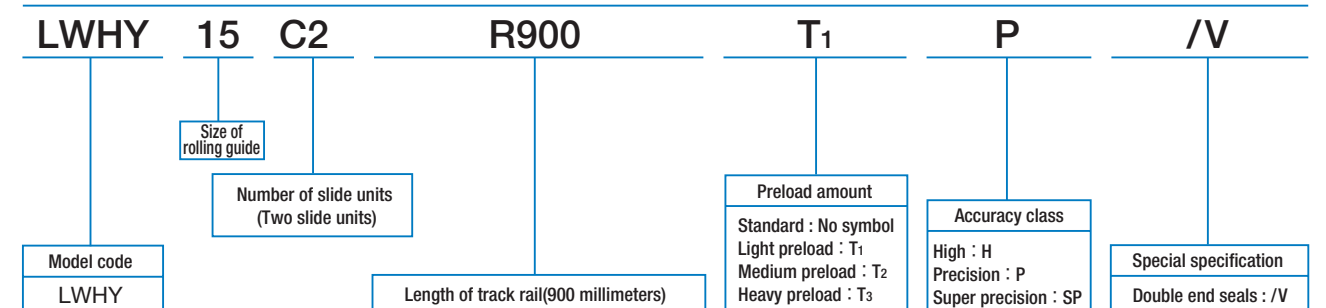
Model number	Mass (Ref.)		Dimensions of assembly mm			Dimensions of slide unit mm						
	Slide unit kg	Track rail kg/m	H	H ₁	N	W ₂	L ₁	L ₂	L ₃	L ₄	M1×depth	H ₃
LWHY 15	0.23	1.47	28	4.5	24.3	34	66	18	44.6	69	M 4× 4	8.5
LWHY 20	0.36	2.56	30	5	31.5	43.7	83	25	57.2	95	M 5× 5	5.5
LWHY 25	0.65	3.50	40	6.5	35	47.7	95	30	64.7	106	M 6× 6	10.5
LWHY 30	1.12	4.82	45	7	43.5	59.7	113	40	80.6	124	M 6× 7	11
LWHY 35	1.74	6.85	55	8	51.5	69.7	123	43	86.2	135	M 8× 9	17
LWHY 45	3.30	10.7	70	10	65	85.7	147	55	103.4	158	M10×11	23
LWHY 55	5.36	15.5	80	13	76	99.7	183	70	132	194	M12×13	24
LWHY 65	9.80	22.2	90	14	94.5	126	229	85	164	239	M16×16	20

Note⁽¹⁾ : Track rail lengths are shown in Table 11.1 on page B-88.
 (2) : The directions of basic dynamic load rating (C), basic static load rating (C₀) and static moment rating (T₀, T_x, T_y) are shown in the sketches below. The upper values in the T_x and T_y columns apply to one slide unit, and the lower values apply to two slide units in close contact.
 Remark 1 : The appended track rail mounting bolts are hexagon socket head bolts of JIS B 1176 or equivalent.
 2 : For grease nipple specifications, see page 97.



H ₅ H ₆		Dimensions of track rail mm							Mounting bolt for track rail mm Bolt size × length	Basic dynamic load rating ⁽²⁾ C N	Basic static load rating ⁽²⁾ C ₀ N	Static moment rating ⁽²⁾		
		W	H ₄	d ₃	d ₄	h	E	F				T ₀ N·m	T _x N·m	T _y N·m
4	9	15	15	4.5	8	6	30	60	M 4×16	9 360	13 900	116	99.2 577	99.2 577
4	10	20	18	6	9.5	8.5	30	60	M 5×18	14 500	21 900	241	202 1 130	202 1 130
6	12	23	22	7	11	9	30	60	M 6×22	20 100	29 800	376	320 1 750	320 1 750
8	14	28	25	9	14	12	40	80	M 8×28	28 100	42 200	646	556 2 930	556 2 930
8	18	34	28	9	14	12	40	80	M 8×28	31 200	43 500	878	665 3 600	601 3 310
10	22	45	34	14	20	17	52.5	105	M12×35	47 600	65 000	1 720	1 200 6 420	1 100 5 900
12	25	53	41	16	23	20	60	120	M14×45	71 200	98 300	3 050	2 300 12 000	2 110 11 000
12	30	63	48	18	26	22	75	150	M16×50	110 000	149 000	5 510	4 280 22 800	3 930 21 000

Example of identification number of assembled set (For details, see "Identification number and specification".)



Wide Rail Type Linear Way

U.S. PATENTED

Linear Way F

LWFH/LWFF/LWFS

IKO Linear Way F is a linear motion rolling guide, featuring a wide track rail along which a highly rigid slide unit performs endless linear motion. A large number of large diameter steel balls are incorporated in two rows and in four point contact with the raceways, so stable high accuracy and rigidity can be obtained in operations even under fluctuating loads with changing direction and magnitude or complex loads. Being a wide rail type, it can support a large moment load acting around the axial direction, and it is also suitable for single row rail arrangement.

Wide structure

Because the distance between the load points under a moment load is large, this guide has high load capacity under moment load and complex load.

Flange type and block type

Three types of slide units are available; two flange types of different dimension series and one block type with a narrower width.

Stainless steel type

The stainless steel type has excellent corrosion resistance and is the most suitable for machines and equipment used in clean environments, for example, medical equipment, disk read devices and semiconductor manufacturing equipment.

Interchangeable

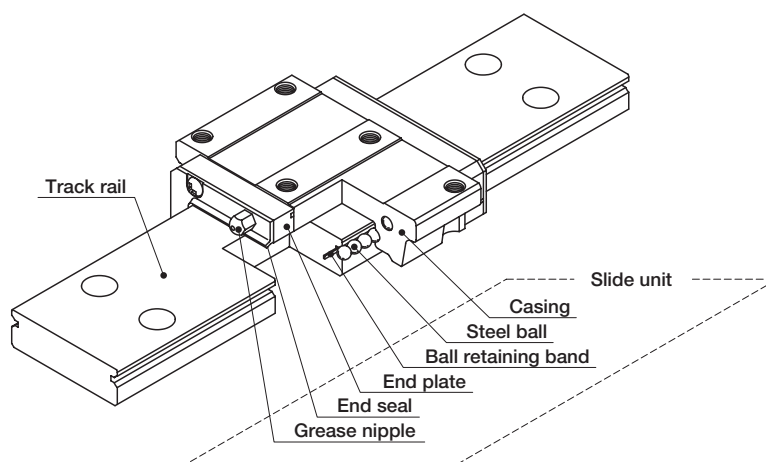
Linear Way F includes interchangeable specification products. The dimensions of slide units and track rails of this specification are individually controlled, so that the slide units and track rails can be combined, added or exchanged freely.

Good load balance

Owing to the simple two row design, large diameter steel balls are incorporated to receive loads in all directions with high load ratings.

High rigidity

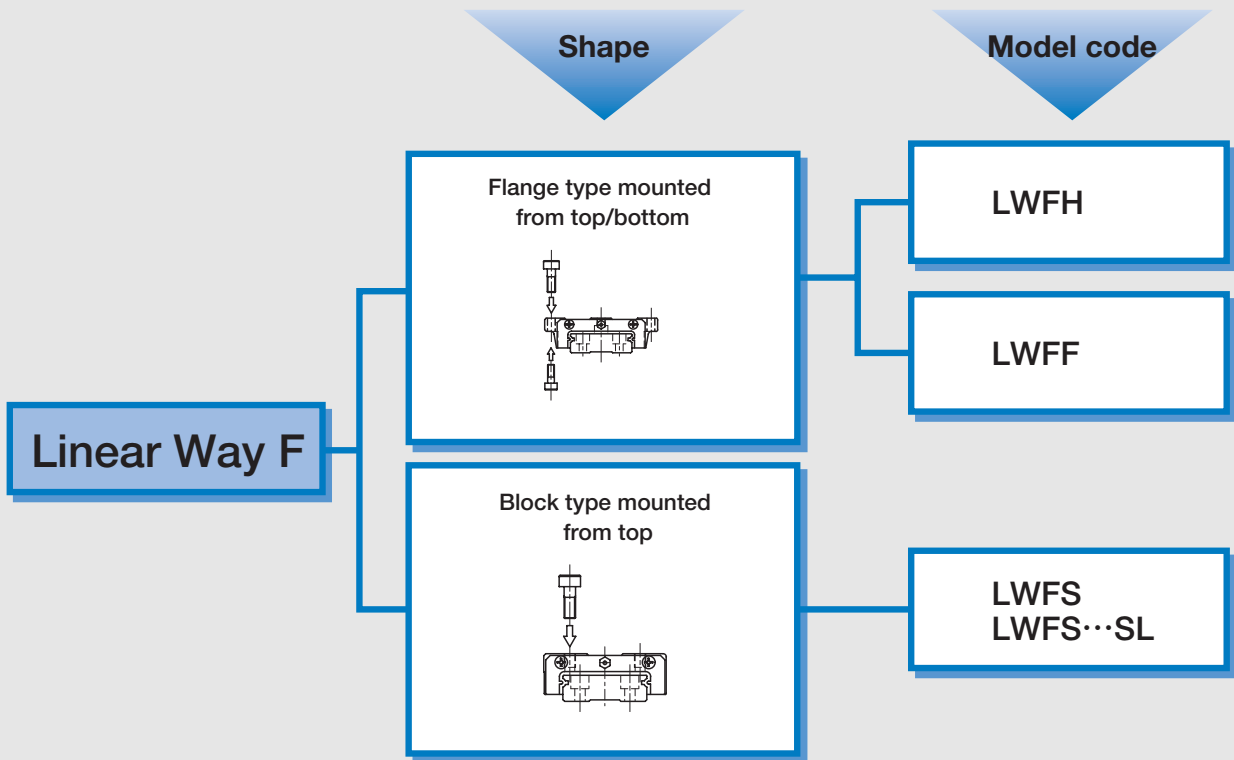
Steel balls are arranged in four point contact with the raceways in a highly rigid casing, and they are tightly held in their position without play. So high rigidity in all directions is obtained.



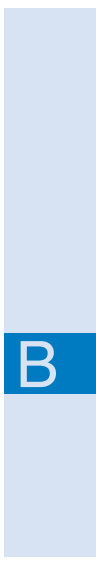
U.S. PATENT No. 6,176,617
No. 5,967,667
No. 4,505,522

Structure of Linear Way F

Linear Way F series



Remark : Models with "SL" are stainless steel type.

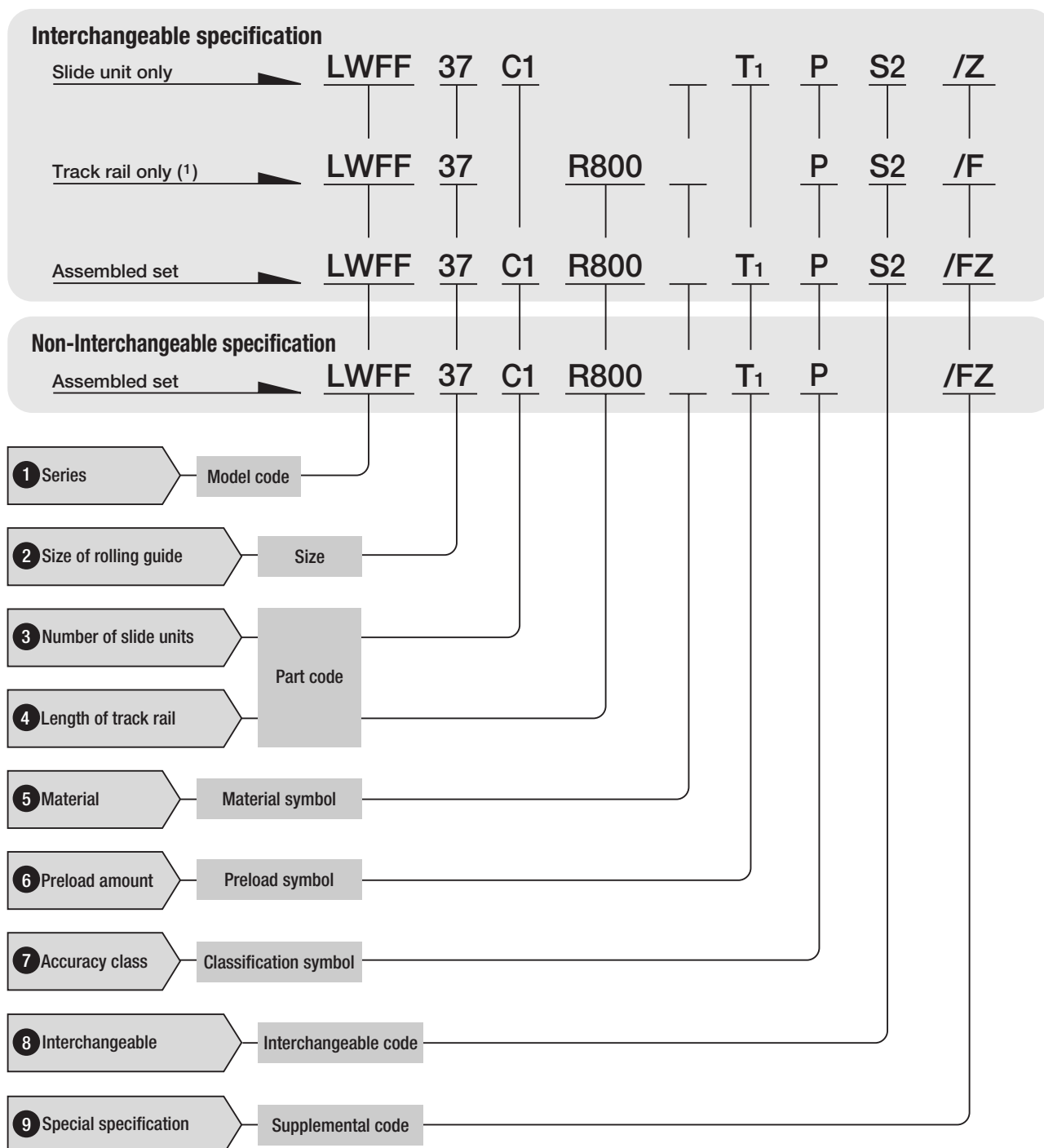


LWFH, LWFF, LWFS

1N=0.102kgf=0.2248lbs.
1mm=0.03937inch

● Identification number and specification

The specification of Linear Way F is indicated by the identification number, consisting of a model code, a size, a part code, a material symbol, a preload symbol, a classification symbol, an interchangeable code and any supplemental codes. For details of each specification, see page 76.



Note(1) : For the model code of a single track rail of interchangeable specification of LWFS, indicate "LWFF".
Track rail of interchangeable LWFS → Model code LWFF (Ex: LWFF37R800PS2/F)

1 Series

Flange type mounted from top/bottom : LWFH
 LWFF
 Block type mounted from top : LWFS

For available models and sizes of slide units, see Table 1.

2 Size of rolling guide

Table 1 Models and sizes of Linear Way F

Model Size	Flange type		Block type	
	High carbon steel made		High carbon steel made	Stainless steel made
	LWFH	LWFF	LWFS	LWFS...SL
33	—	☆	☆	☆
37	—	☆	☆	☆
40	☆	—	—	—
42	—	☆	—	☆
60	☆	—	—	—
69	—	☆	—	—
90	☆	—	—	—

Remark : The mark ☆ indicates that interchangeable specification products are available.

3 Number of slide units

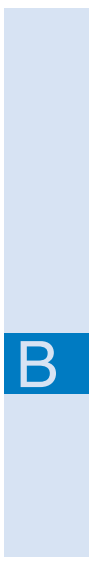
Assembled set : C○
 Slide unit only : C1
 For an assembled set, indicate the number of slide units assembled on one track rail. For a slide unit, only "C1" can be indicated.

4 Length of track rail

Assembled set : R○
 Track rail only : R○
 Indicate the length of track rail in mm. For standard and maximum lengths, see "Track rail length" on page B-120.

5 Material

High carbon steel made : No symbol
 Stainless steel made : SL
 For applicable material types, see Table 1.



LWFH, LWFF, LWFS

6 Preload amount

Standard	: No symbol	Specify this item for an assembled set or a single slide unit. For applicable amount, see Table 2. For details of preload amount, see page 84.
Light preload	: T1	
Medium preload	: T2	

Table 2 Applicable preload types

Size	Preload type (Symbol)		
	Standard (No symbol)	Light preload (T ₁)	Medium preload (T ₂)
33	☆	☆	○
37	☆	☆	○
40	☆	☆	○
42	☆	☆	○
60	☆	☆	○
69	☆	☆	○
90	☆	☆	○

Remark : The mark ☆ indicates that it is also applicable to interchangeable specification products.

7 Accuracy class

High	: H	For applicable accuracy, see Table 3. For the interchangeable specification, combine slide units and track rails of the same class. For details of accuracy, see page 79.
Precision	: P	
Super precision	: SP	

Table 3 Applicable accuracy class

Size	Accuracy class (Symbol)		
	High (H)	Precision (P)	Super precision (SP)
33	☆	☆	○
37	☆	☆	○
40	☆	☆	○
42	☆	☆	○
60	☆	☆	○
69	☆	☆	○
90	☆	☆	○

Remark : The mark ☆ indicates that it is also applicable to interchangeable specification products.

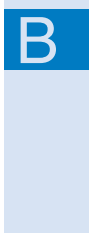
8 Interchangeable code

Select group 1 : S1
Select group 2 : S2

Specify this item for interchangeable specification products. Combine track rails and slide units with the same interchangeable code. Performance and accuracy of "S1" group and "S2" group are the same.

9 Special specification

For applicable special specifications, see Tables 4.1 and 4.2. When several special specifications are required, see Table 5. For details of special specifications, see page 86.



LWFH, LWFF, LWFS

Table 4.1 Special specifications of LWFH

Special specification	Supplemental code	Assembled set	Track rail	Slide unit	Dimension
Butt-jointing track rail	A	○	—	—	
Chamfered reference surface	C	○ (1)	—	—	See Fig. 1.
Opposite reference surfaces arrangement	D	☆	—	—	
Specified rail mounting hole positions	E	☆	☆	—	
Caps for rail mounting holes	F	☆	☆	—	
Inspection sheet	I	○	—	—	
Female threads for bellows	J	☆	☆	☆	See Table 6.1.
Black chrome surface treatment	L	☆	—	—	
Fluorine black chrome surface treatment	LF	☆	—	—	
Supplied without track rail mounting bolt	MN	☆	☆	—	
No end seal	N	☆	—	☆	
Capillary plates	Q	☆	—	☆	See Table 7.
Under seals	U	☆	—	☆	See Table 8.
Matched sets to be used as an assembled group	W	○	—	—	
Specified grease	Y	☆	—	—	
Scrapers	Z	☆	—	☆	See Table 10.

Note(1) : Applicable to size 40 and 60 models.

Remark : In the table, the mark ☆ indicates that it is also applicable to interchangeable specification products.

Table 4.2 Special specifications of LWFF, LWFS

Special specification	Supplemental code	Assembled set	Track rail	Slide unit	Dimension
Butt-jointing track rail	A	○	—	—	
Opposite reference surfaces arrangement	D	☆	—	—	
Specified rail mounting hole positions	E	☆	☆	—	
Caps for rail mounting holes	F	☆	☆	—	
Inspection sheet	I	○	—	—	
Female threads for bellows	J	☆ (1)	☆ (1)	☆	See Table 6.2.
Black chrome surface treatment	L	☆	—	—	
Fluorine black chrome surface treatment	LF	☆	—	—	
Supplied without track rail mounting bolt	MN	☆	☆	—	
No end seal	N	☆	—	☆	
Capillary plates	Q	☆	—	☆	See Table 7.
Under seals	U	☆ (2)	—	☆ (2)	See Table 8.
Double end seals	V	☆	—	☆	See Table 9.
Matched sets to be used as an assembled group	W	○	—	—	
Specified grease	Y	☆	—	—	
Scrapers	Z	☆	—	☆	See Table 10.

Note(1) : Not applicable to stainless steel made interchangeable specification products.

(2) : The H_1 dimension is the same as the dimension of standard products (without under seals).

Remark : In the table, the mark ☆ indicates that it is also applicable to interchangeable specification products.

Table 5 Combination of special specifications

LWFH													LWFF LWFS																		
C	○												D	○																	
D	○	○											E	—	—																
E	—	○	—										F	○	☆	☆															
F	○	○	☆	☆									I	○	○	○	○														
I	○	○	○	○	○								J	○	☆	☆	☆	○													
J	○	○	☆	☆	☆	○							L	○	☆	☆	☆	○	☆												
L	○	○	☆	☆	☆	○	☆						LF	○	☆	☆	☆	○	☆	—											
LF	○	○	☆	☆	☆	○	☆	—					MN	○	☆	☆	☆	○	☆	☆	☆										
MN	○	○	☆	☆	☆	○	☆	☆	☆				N	○	☆	☆	—	○	—	☆	☆	☆									
N	○	○	☆	☆	☆	○	—	☆	☆	☆			Q	○	☆	☆	☆	○	—	☆	☆	☆	☆								
Q	○	○	☆	☆	—	○	—	☆	☆	☆	☆		U	○	☆	☆	☆	○	☆	☆	☆	☆	—	☆							
U	○	○	☆	☆	☆	○	☆	☆	☆	☆	—	☆	V	○	☆	☆	☆	○	★	☆	☆	☆	—	—	☆						
W	○	○	○	—	○	○	○	○	○	○	○	○	W	○	○	—	○	○	○	○	○	○	○	○	○						
Y	○	○	☆	☆	☆	○	☆	☆	☆	☆	☆	—	☆	○	Y	○	☆	☆	☆	○	☆	☆	☆	☆	☆	—	☆	☆	○		
Z	○	○	☆	☆	☆	○	—	☆	☆	☆	—	—	☆	○	○	Z	○	☆	☆	☆	○	★	☆	☆	☆	—	—	☆	★	○	☆
	A	C	D	E	F	I	J	L	LF	MN	N	Q	U	W	Y		A	D	E	F	I	J	L	LF	MN	N	Q	U	V	W	Y

- Remark 1 :** In the table, the mark ☆ indicates that it is also applicable to interchangeable specification products.
2 : In the table, the mark — indicates that this combination cannot be made.
3 : The combinations marked ★ are applicable to non-interchangeable specification products.
 For combinations of interchangeable specification products, consult **IKO** for further information.
4 : When several special specifications are required, arrange the supplemental codes alphabetically.

B
LWFH, LWFF, LWFS

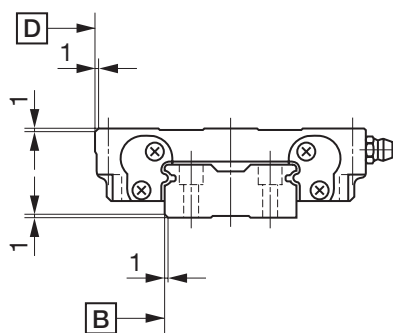
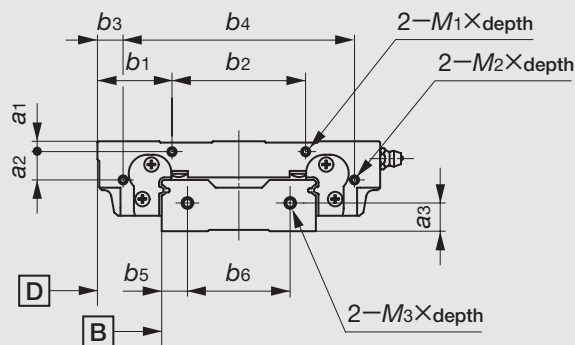


Fig. 1 Chamfers on reference surfaces (Supplemental code /CC)

Table 6.1 Female threads for bellows of LWFH (Supplemental code /J, /JJ)

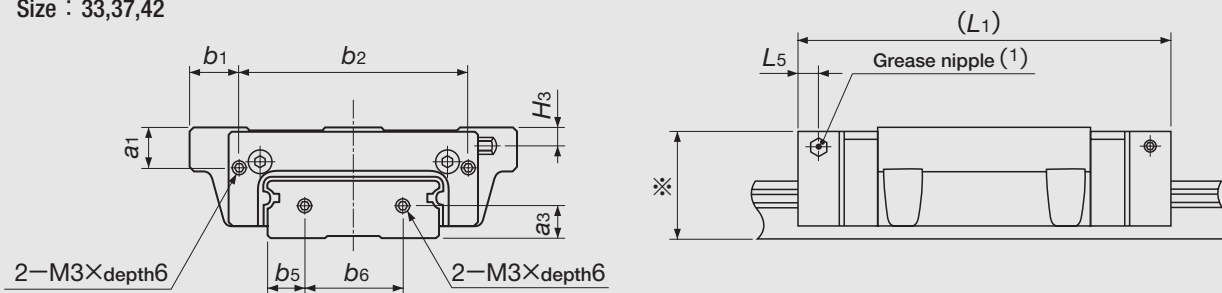


unit : mm

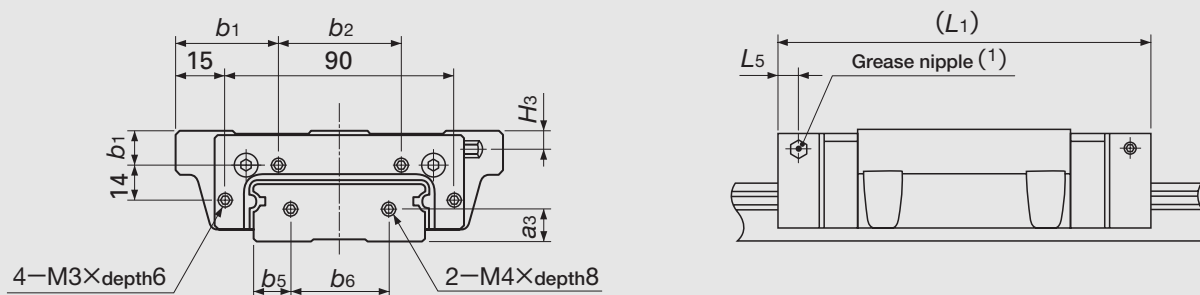
Model number	Slide unit								Track rail			
	a1	a2	b1	b2	b3	b4	M1×depth	M2×depth	a3	b5	b6	M3×depth
LWFH 40	3	—	23.5	35	—	—	M3×6	—	9	8	24	M3×6
LWFH 60	4	11	29	52	10	90	M3×6	M3×3	11	10	40	M4×8
LWFH 90	6	17	41	80	13	136	M3×5	M3×5	13	15	60	M4×8

Table 6.2 Female threads for bellows of LWFF, LWFS (Supplemental code /J, /JJ)

Size : 33,37,42



Size : 69



unit : mm

Model number	Slide unit						Track rail		
	a ₁	b ₁	b ₂	L ₁ ⁽²⁾	L ₅	H ₃	a ₃	b ₅	b ₆
LWFF 33	4	8.25	43.5	71	5	1	6	7.5	18
LWFS 33		3.25							
LWFF 37	6	10	48	78	5	1	6.5	8.5	20
LWFS 37		3							
LWFF 42	9.5	12	56	92	7	4.5	8	9	24
LWFS 42...SL		3							
LWFF 69	9	35	50	125	7	5	11	14.5	40

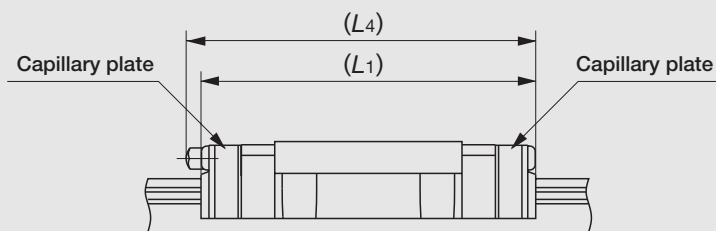
Note(1) : The specification and mounting position of grease nipple are different from those of the standard specification product.
For grease nipple specifications, see page 96.

(2) : The values for a slide unit with female threads for bellows at both ends are shown.

Remark : For the size 33 and 37 models, the dimension indicated by an asterisk (*) is higher than the H dimension of Linear Way F.
For details, consult **IJKO** for further information.

B
LWFF, LWFS, LWFS

Table 7 Slide unit with capillary plates (Supplemental code /Q)



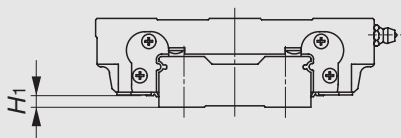
unit : mm

Model number	L1	L4
LWFH 40	78	—
LWFH 60	98	—
LWFH 90	131	—
LWFF 33	64	67
LWFF 37	73	75
LWFF 42	86	99
LWFF 69	121	133

Model number	L1	L4
LWFS 33	64	67
LWFS 33...SL		
LWFS 37	73	75
LWFS 37...SL		
LWFS 42...SL	86	99

Table 8 H1 dimension of slide unit with under seals (Supplemental code /U)

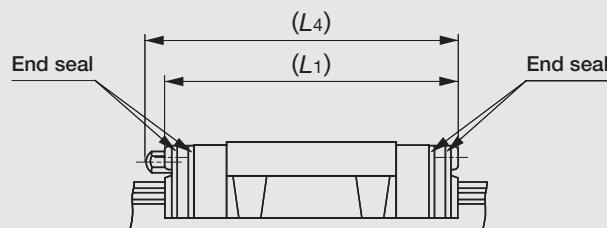
unit : mm



Model number	H1
LWFH 40	3
LWFH 60	4
LWFH 90	5

Remark : The H1 dimension of LWFF and LWFS is the same as that without under seals.

Table 9 LWFF and LWFS slide units with double end seals (Supplemental code /VV)

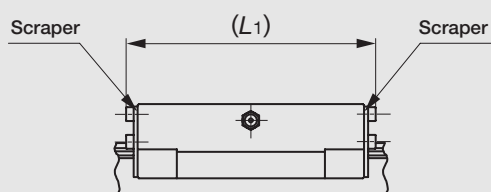


unit : mm

Model number	L1	L4
LWFF 33	61	64
LWFS 33		
LWFF 37	70	74
LWFS 37		
LWFF 42	82	96
LWFF 69	117	130

Remark : The above dimensions are for slide units with double end seals at both ends.

Table 10.1 LWFH slide unit with scrapers (Supplemental code /ZZ)

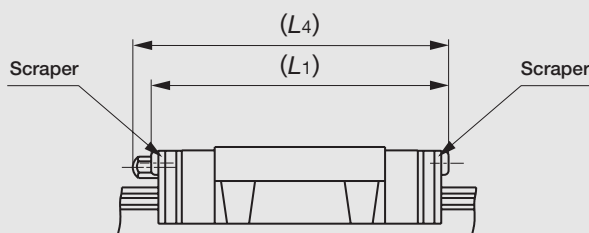


unit : mm

Model number	L1
LWFH 40	79.2
LWFH 60	99.2
LWFH 90	130

Remark : The above values are for slide units with scrapers at both ends.

Table 10.2 LWFF and LWFS slide units with scrapers (Supplemental code /ZZ)



unit : mm

Model number	L1	L4
LWFF 33	62	64
LWFS 33		
LWFF 37	71	75
LWFS 37		
LWFF 42	84	97
LWFF 69	119	131

Remark : The above values are for slide units with scrapers at both ends.

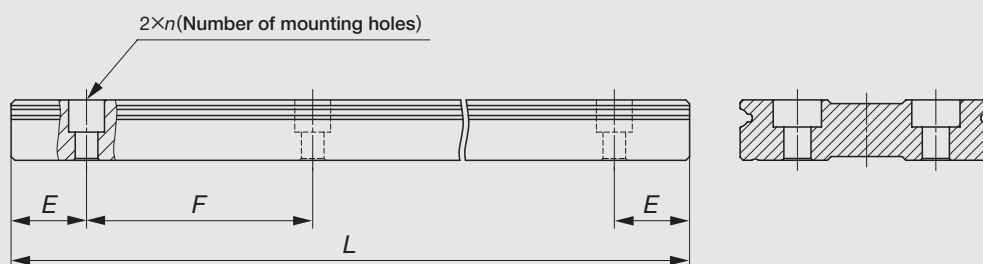
● Track rail length

Standard and maximum lengths of track rails are shown in Table 11.1 and 11.2. Track rails of any length are also available. Simply indicate the required length of track rail in mm in the identification number.

For the tolerances of *E* dimension and track rail length, consult **IKO** for further information.

- For track rails longer than the maximum length shown in Table 11.1 and 11.2, butt-jointing track rails are available upon request. In this case, indicate "/A" in the identification number.
- *E* dimensions at both ends are the same and are within the standard range of *E* unless otherwise specified. To change these dimensions, specify the specified rail mounting hole positions "/E" of special specification. For details, see page 89.

Table 11.1 Standard and maximum lengths of high carbon steel track rails



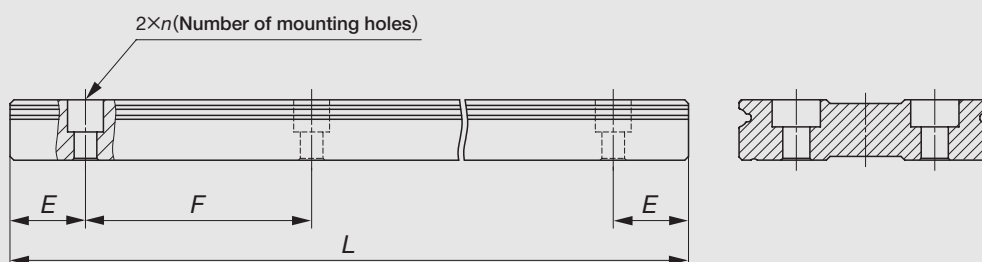
unit : mm

Item	Model number	LWFH 40	LWFH 60	LWFH 90	
Standard length <i>L</i> (<i>n</i>)		180(3)	240(3)	480(6)	
		240(4)	480(5)	640(8)	
		360(6)	640(8)	800(10)	
		480(8)	800(10)	1 040(13)	
		660(11)	1 040(13)	1 200(15)	
		840(14)		1 520(19)	
Pitch of mounting holes <i>F</i>		60	80	80	
<i>E</i>		30	40	40	
Standard range of <i>E</i> ⁽¹⁾	incl.	8	10	10	
	under	38	50	50	
Maximum length ⁽²⁾		1 500	1 520	1 520	
Item	Model number	LWFF 33 LWFS 33	LWFF 37 LWFS 37	LWFF 42	LWFF 69
Standard length <i>L</i> (<i>n</i>)		120(3)	150(3)	180(3)	320(4)
		200(5)	250(5)	240(4)	480(6)
		320(8)	400(8)	360(6)	800(10)
		480(12)	500(10)	480(8)	1 040(13)
		560(14)	600(12)	660(11)	1 280(16)
		800(16)	840(14)	840(14)	1 600(20)
Pitch of mounting holes <i>F</i>		40	50	60	80
<i>E</i>		20	25	30	40
Standard range of <i>E</i> ⁽¹⁾	incl.	7	7	7	9
	under	27	32	37	49
Maximum length ⁽²⁾		1 600	2 000	1 980	2 000

Note(1) : Not applicable to the track rail with female threads for bellows (supplemental code "/J").

(2) : Track rails exceeding the maximum length can also be manufactured. Consult **IKO** for further information.

Table 11.2 Standard and maximum lengths of stainless steel track rails



unit : mm

Item \ Model number	LWFS 33...SL	LWFS 37...SL	LWFS 42...SL
Standard length $L(n)$	120(3)	150(3)	180(3)
	200(5)	250(5)	240(4)
	320(8)	400(8)	360(6)
	480(12)	500(10)	480(8)
	560(14)	600(12)	660(11)
Pitch of mounting holes F	40	50	60
E	20	25	30
Standard range of $E^{(1)}$	incl.	7	7
	under	27	32
Maximum length ⁽²⁾	1 200	1 200	1 200

Note⁽¹⁾ : Not applicable to the track rail with female threads for bellows (supplemental code "/J").

⁽²⁾ : Track rails exceeding the maximum length can also be manufactured. Consult **IKO** for further information.

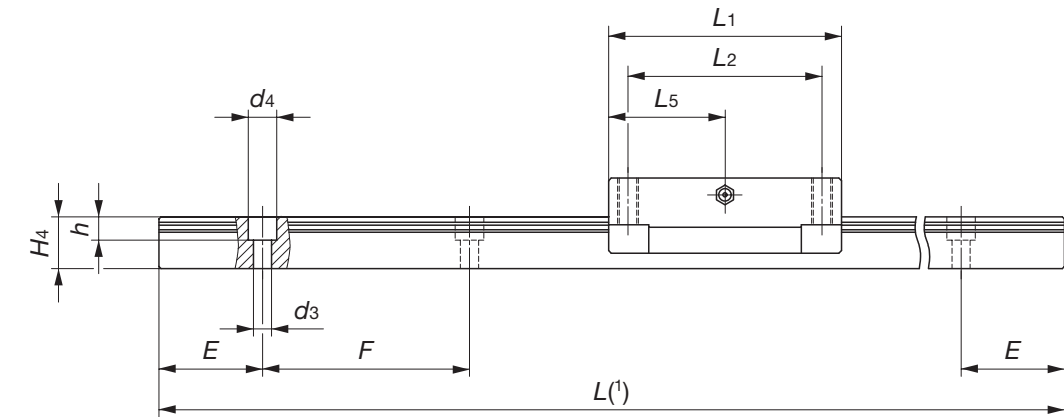
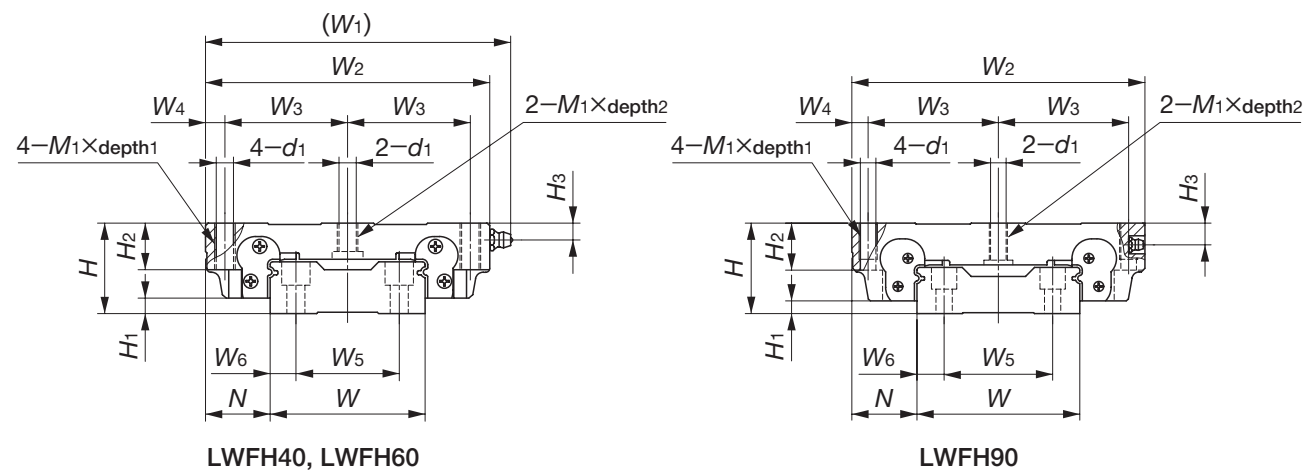
B

LWFH, LWFF, LWFS

IKO Linear Way F : Flange type



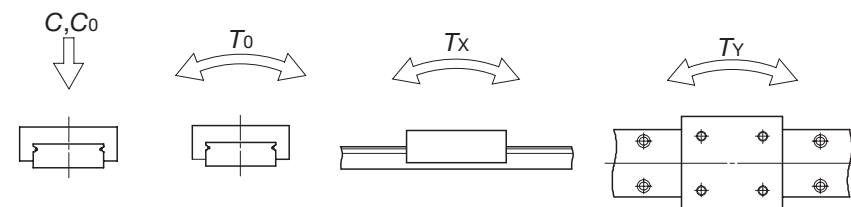
Flange type mounted from top/bottom LWFH



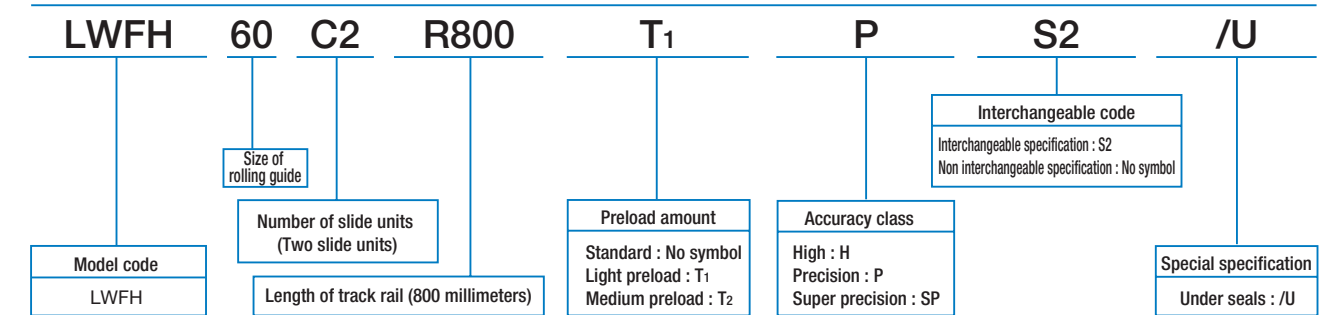
Model number	Interchangeable	Mass (Ref.)		Dimensions of assembly mm			Dimensions of slide unit mm										
		Slide unit kg	Track rail kg/m	H	H ₁	N	W ₁	W ₂	W ₃	W ₄	L ₁	L ₂	L ₅	d ₁	M ₁ ×depth ₁	depth ₂	H ₂
LWFH 40	☆	0.58	4.60	27	5	21	92	82	37	4	70	60	27.5	4.3	M 5×14	8	14
LWFH 60	☆	1.29	8.60	35	6	25	120	110	47.5	7.5	90	75	45	6.7	M 8×18	11	18
LWFH 90	☆	4.06	16.5	50	7	36	—	162	72	9	120	100	60	8.6	M10×20	20.5	26

H ₃	Dimensions of track rail mm										Mounting bolt for track rail mm Bolt size x length	Basic dynamic load rating ⁽²⁾ C N	Basic static load rating ⁽²⁾ C ₀ N	Static moment rating ⁽²⁾		
	W	H ₄	W ₅	W ₆	d ₃	d ₄	h	E	F	T ₀ N·m				T _x N·m	T _y N·m	
6.5	40	16	24	8	4.5	7.2	6	30	60	M4×16	12 600	16 600	280	108 612	99.3 563	
6.5	60	20	40	10	7	11	9	40	80	M6×22	16 100	23 500	600	210 1 090	193 998	
12	90	25.5	60	15	9	14	12	40	80	M8×28	31 600	43 300	1 650	513 2 680	470 2 460	

Note⁽¹⁾ : Track rail lengths are shown in Table 11.1 on page B-120.
⁽²⁾ : The directions of basic dynamic load rating (C), basic static load rating (C₀) and static moment rating (T₀, T_x, T_y) are shown in the sketches below. The upper values in the T_x and T_y columns apply to one slide unit, and the lower values apply to two slide units in close contact.
 Remark 1 : The mark ☆ indicates that interchangeable specification products are available.
 2 : The appended track rail mounting bolts are hexagon socket head bolts of JIS B 1176 or equivalent.
 3 : For grease nipple specifications, see page 97.



Example of identification number of assembled set (For details, see "Identification number and specification".)

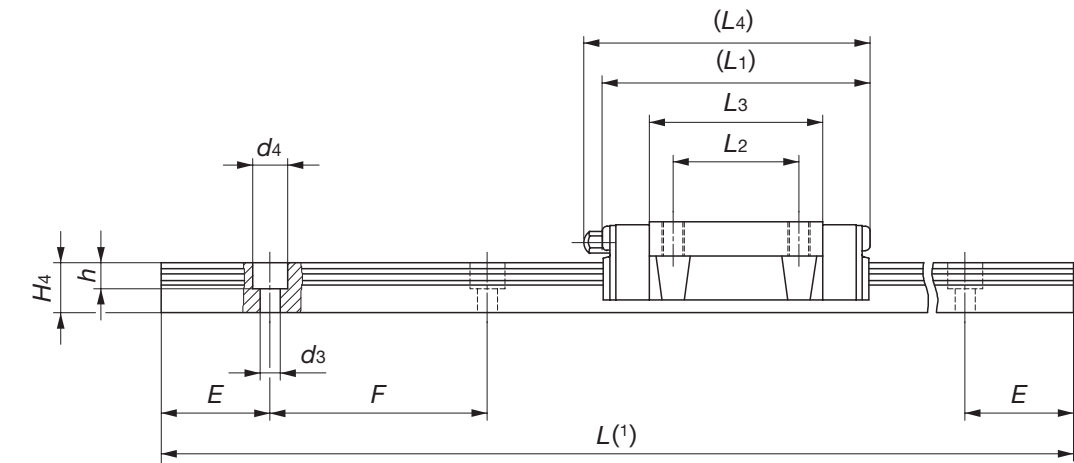
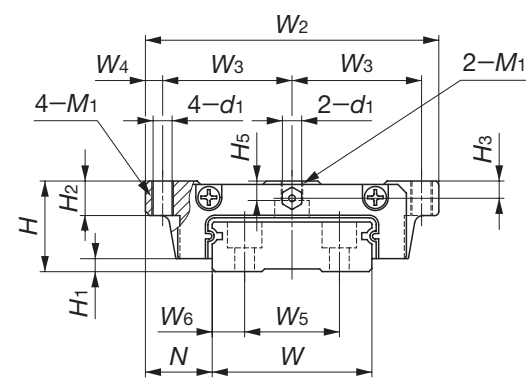


B
LWFH, LWF, LWF

IKO Linear Way F : Flange type



Flange type mounted from top/bottom
LWFF



Model number	Interchangeable	Mass (Ref.)		Dimensions of assembly mm			Dimensions of slide unit mm									
		Slide unit kg	Track rail kg/m	H	H ₁	N	W ₂	W ₃	W ₄	L ₁	L ₂	L ₃	L ₄	d ₁	M ₁	H ₂
LWFF 33	☆	0.14	2.41	17	2.5	13.5	60	26.5	3.5	53.5	26	35.3	56	3.3	M4	6
LWFF 37	☆	0.23	3.05	21	3	15.5	68	30	4	62	29	40	66	4.4	M5	8
LWFF 42	☆	0.49	4.30	27	3	19	80	35	5	75	40	52.2	86	5.3	M6	10
LWFF 69	☆	1.40	9.51	35	4	25.5	120	53.5	6.5	109	60	79.5	119	7	M8	14

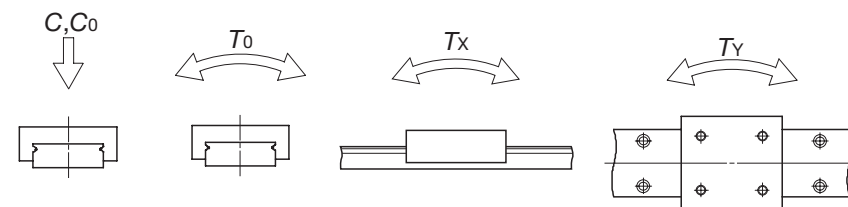
Note(1) : Track rail lengths are shown in Table 11.1 on page B-120.

(2) : The directions of basic dynamic load rating (C), basic static load rating (C₀) and static moment rating (T₀, T_x, T_y) are shown in the sketches below. The upper values in the T_x and T_y columns apply to one slide unit, and the lower values apply to two slide units in close contact.

Remark 1 : The mark ☆ indicates that interchangeable specification products are available.

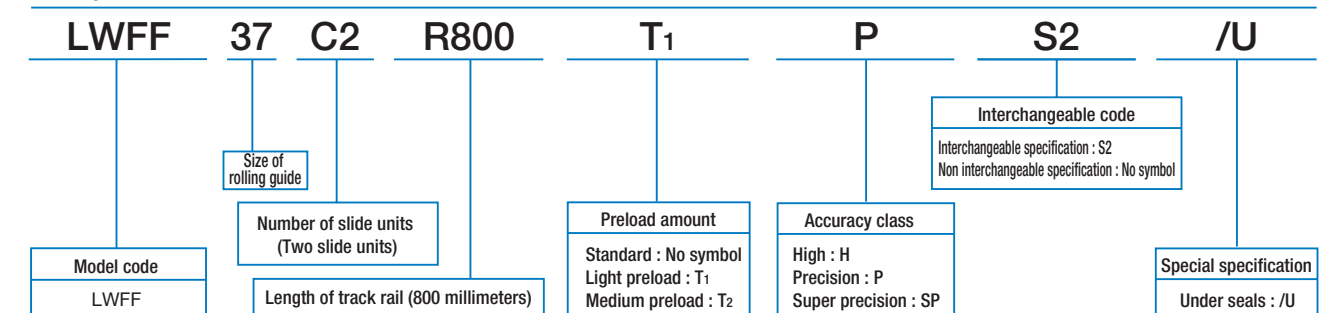
2 : The appended track rail mounting bolts are hexagon socket head bolts of JIS B 1176 or equivalent.

3 : For grease nipple specifications, see page 97.



H ₃	H ₅	Dimensions of track rail mm										Mounting bolt for track rail mm Bolt size x length	Basic dynamic load rating ⁽²⁾ C N	Basic static load rating ⁽²⁾ C ₀ N	Static moment rating ⁽²⁾		
		W	H ₄	W ₅	W ₆	d ₃	d ₄	h	E	F	T ₀ N·m				T _x N·m	T _y N·m	
3.2	3.7	33	10	18	7.5	4.6	8	6	20	40	M4×10	6 530	8 610	146	49.0 289	49.0 289	
4	4.5	37	11.5	22	7.5	4.6	8	6	25	50	M4×12	9 840	12 200	235	80.0 480	80.0 480	
6	7	42	14	24	9	4.6	8	6	30	60	M4×16	15 500	19 400	424	165 904	165 904	
8	8	69	19.5	40	14.5	7	11	9	40	80	M6×22	34 900	44 100	1 560	581 2 940	488 2 460	

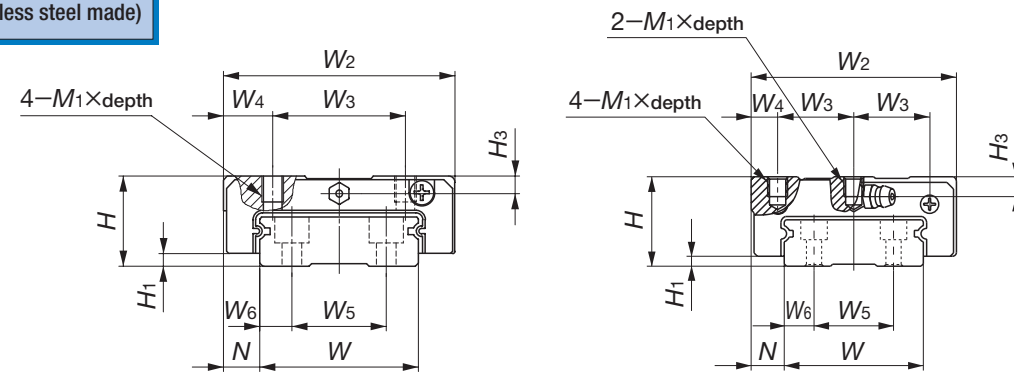
Example of identification number of assembled set (For details, see "Identification number and specification".)



IKO Linear Way F : Block type



Block type mounted from top
LWFS
LWFS...SL (Stainless steel made)

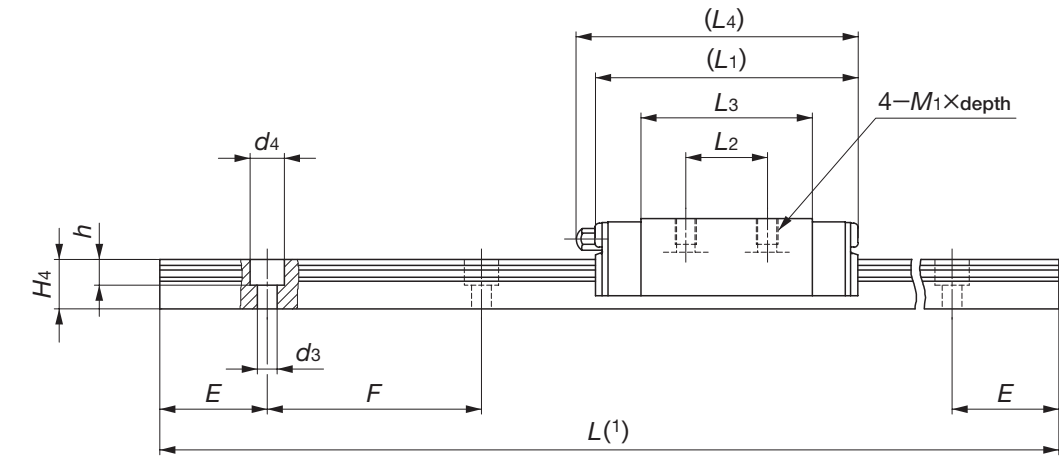
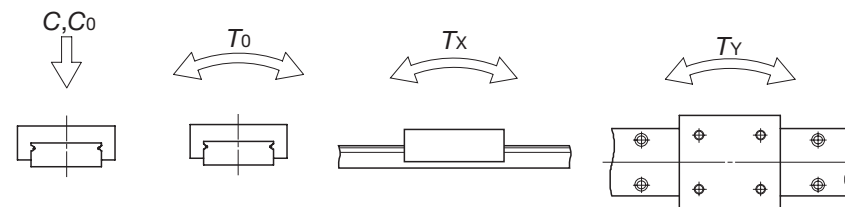


LWFS 33(...SL)
LWFS 37(...SL)

LWFS 42...SL

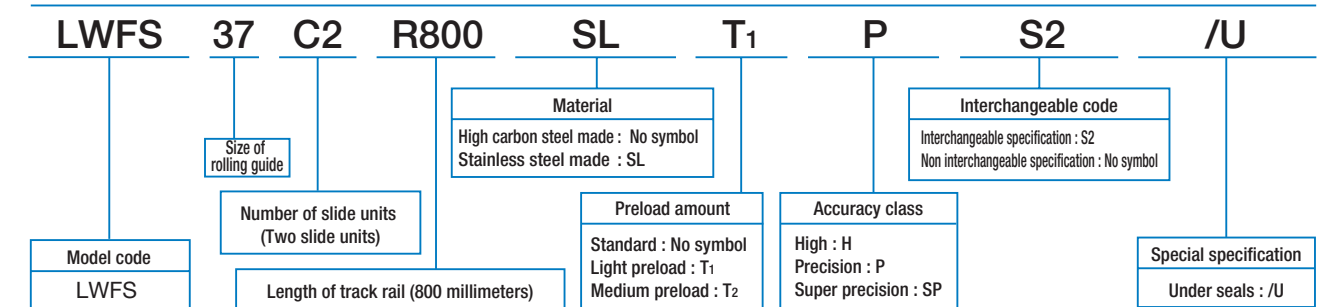
Model number	Interchangeable	Mass (Ref.)		Dimensions of assembly mm			Dimensions of slide unit mm							
		Slide unit kg	Track rail kg/m	H	H ₁	N	W ₂	W ₃	W ₄	L ₁	L ₂	L ₃	L ₄	M1×depth
LWFS 33	☆	0.13	2.41	17	2.5	8.5	50	29	10.5	53.5	15	35.3	56	M4×5
LWFS 33...SL	☆													
LWFS 37	☆	0.20	3.05	21	3	8.5	54	31	11.5	62	19	40	66	M5×6
LWFS 37...SL	☆													
LWFS 42...SL	☆	0.40	4.30	27	3	10	62	23	8	75	32	52.2	86	M6×6

Note(1) : Track rail lengths are shown in Table 11.1 on page B-120 and Table 11.2 on page B-121.
 (2) : The directions of basic dynamic load rating (C), basic static load rating (C₀) and static moment rating (T₀, T_x, T_y) are shown in the sketches below. The upper values in the T_x and T_y columns apply to one slide unit, and the lower values apply to two slide units in close contact.
 Remark 1 : The mark ☆ indicates that interchangeable specification products are available.
 2 : The appended track rail mounting bolts are hexagon socket head bolts of JIS B 1176 or equivalent. For stainless steel type Linear Way F, stainless steel bolts are appended.
 3 : For grease nipple specifications, see page 97.



H ₃	Dimensions of track rail mm										Mounting bolt for track rail mm Bolt size x length	Basic dynamic load rating ⁽²⁾ C N	Basic static load rating ⁽²⁾ C ₀ N	Static moment rating ⁽²⁾		
	W	H ₄	W ₅	W ₆	d ₃	d ₄	h	E	F	T ₀ N·m				T _x N·m	T _y N·m	
3.2	33	10	18	7.5	4.6	8	6	20	40	M4×10	6 530	8 610	146	49.0 289	49.0 289	
4	37	11.5	22	7.5	4.6	8	6	25	50	M4×12	9 840	12 200	235	80.0 480	80.0 480	
6	42	14	24	9	4.6	8	6	30	60	M4×16	15 500	19 400	424	165 904	165 904	

Example of identification number of assembled set (For details, see "Identification number and specification".)



U.S. PATENTED

Linear Way U

LWU

IKO Linear Way U is a linear motion rolling guide featuring a track rail with a U-shaped cross section. Raceways are provided on the inside surface of the track rail, and a slide unit mounted inside the track rail travels along the raceways.

The U-shaped track rail has much higher rigidity as compared with the track rail with a rectangular cross section, especially under moment and torsion. Therefore, in addition to the conventional way of fastening a track rail on a mounting base, it can be used by itself as a structural member of machines and equipment, in a cantilever position or being supported at both ends.

U-shaped track rail

Rigidity of track rail under moment and torsion is very much increased by adopting the U-shaped design. The track rails can, therefore, be mounted on machines and equipment as structural members, either in a cantilever position or supported at both ends, so they can be combined and assembled freely.

High precision and rigidity

Large diameter steel balls in the slide unit are arranged in two rows, and makes contact with the raceways at four points. Stable high precision and rigidity are thus obtained even under fluctuating loads with changing direction and magnitude or complex loads.

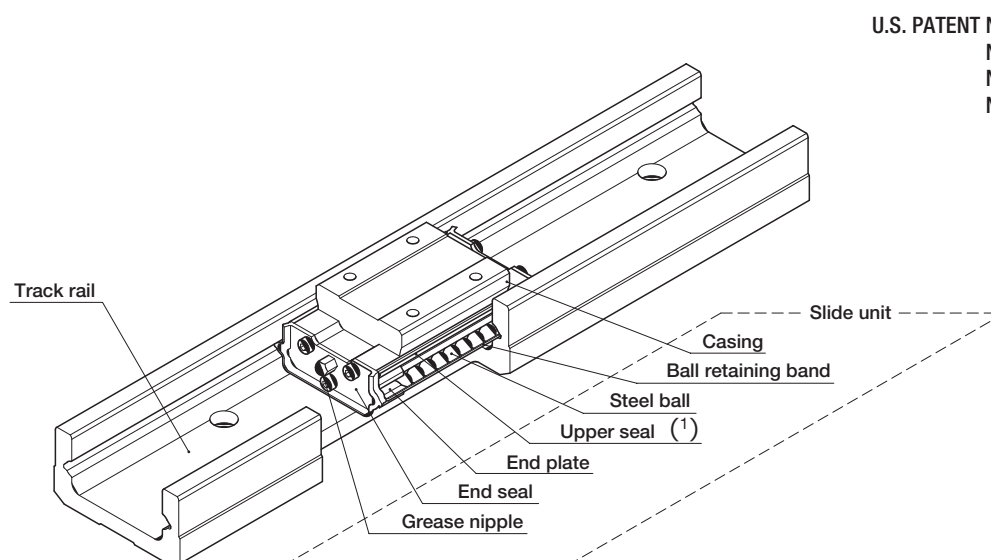
Ball retained type

The slide unit of ball retained type incorporates ball retaining bands, which prevent steel balls from dropping when the slide unit is separated from the track rail. So handling is easy.

Additional work on track rail is possible

Additional work can be made on track rails of standard type, so that drive mechanisms and other peripheral devices can be fixed directly to the track rails.

(※ Note that additional work cannot be made near the raceways of track rail. For details, consult **IKO** for further information.)

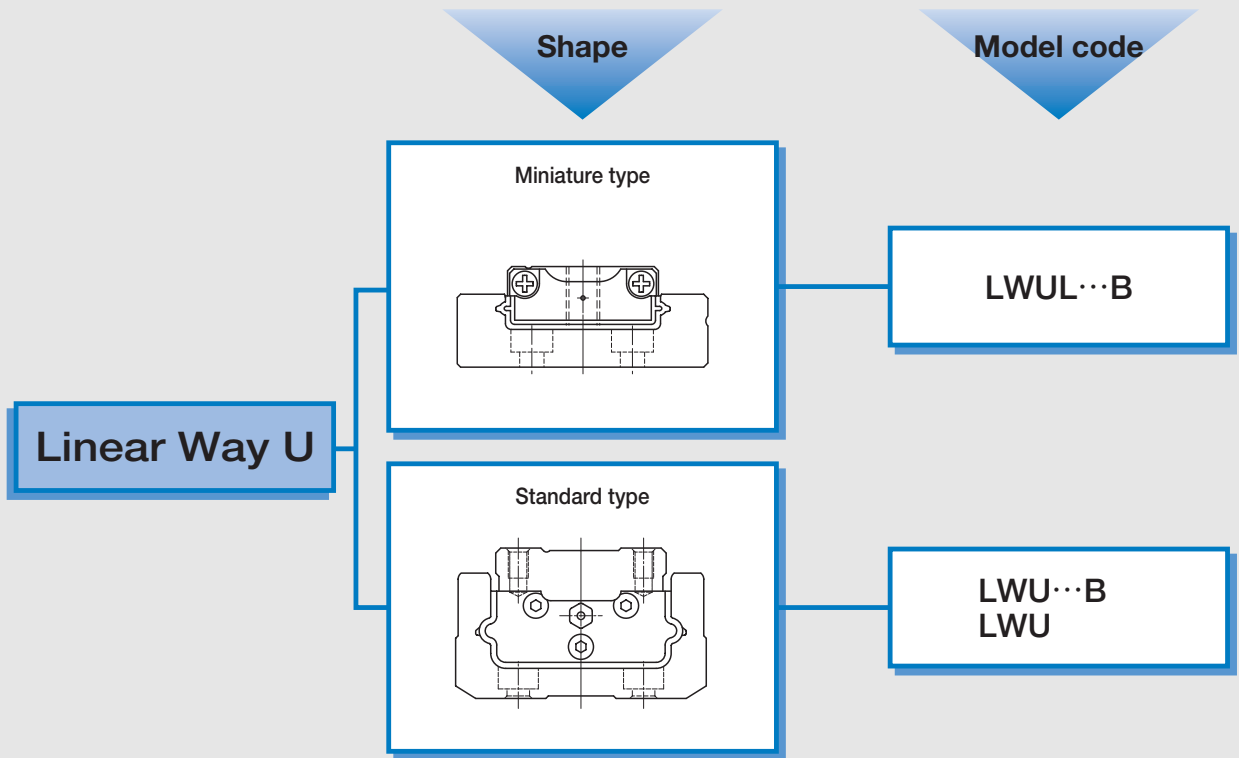


U.S. PATENT No. 6,309,107
No. 6,176,617
No. 6,082,899
No. 5,967,667

Structure of Linear Way U Ball Retained Type

Note(1) : The miniature type with upper seals is a special specification product.

Linear Way U series

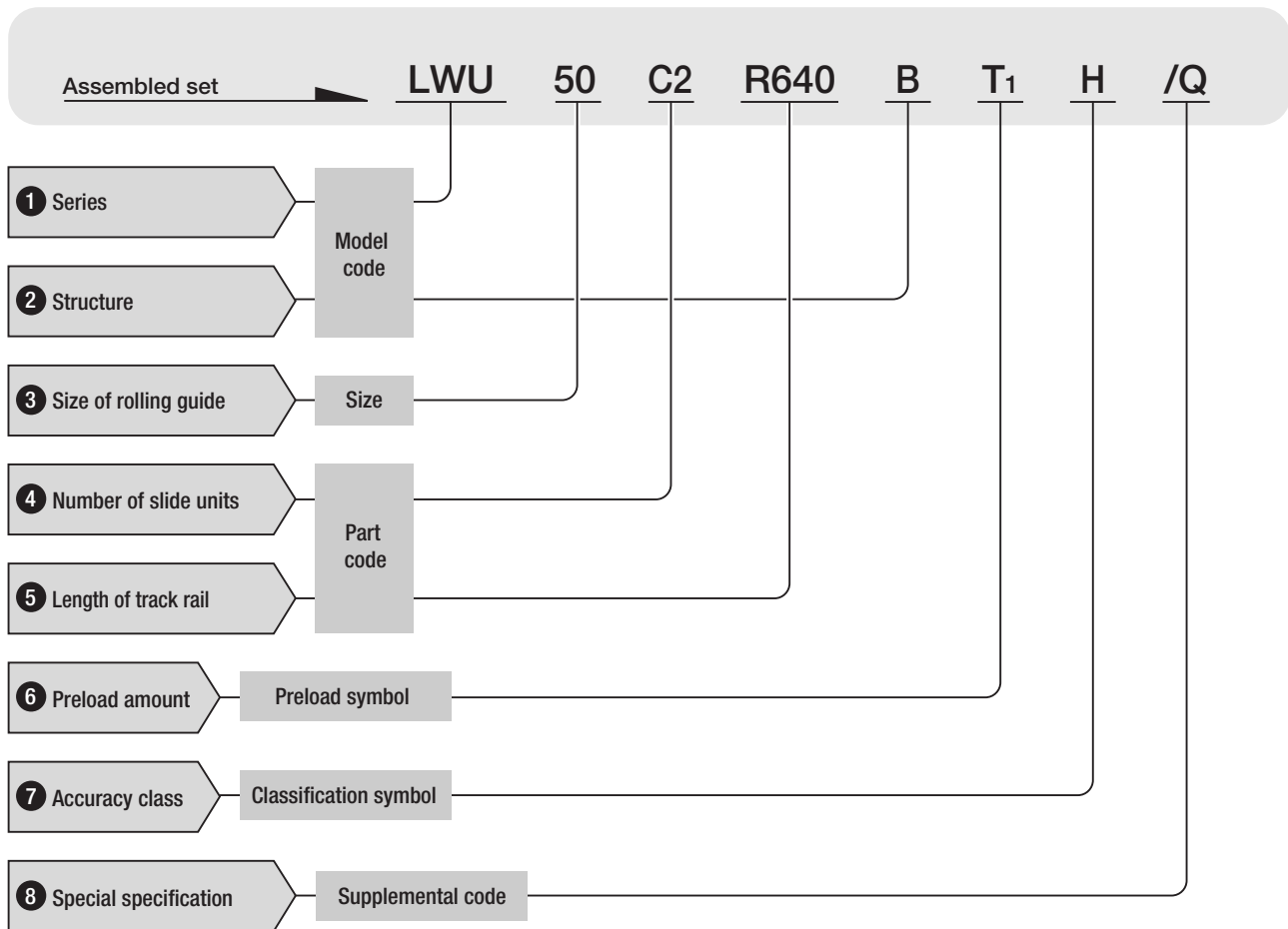


Remark : Models with "B" are ball retained type.

1N=0.102kgf=0.2248lbs.
1mm=0.03937inch

● Identification number and specification

The specification of Linear Way U is indicated by the identification number, consisting of a model code, a size, a part code, a preload symbol, a classification symbol and any supplemental codes. For details of each specification, see page 76.



1 Series

Miniature type : LWUL
Standard type : LWU

2 Structure

Ball retained type : B
Ball non-retained type : No symbol

For available models and sizes, see Table 1.

3 Size of rolling guide

Table 1 Models and sizes of Linear Way U

Size	Model	Miniature type	Standard type	
		Stainless steel made	High carbon steel made	
		Ball retained type LWUL...B	Ball retained type LWU...B	Ball non-retained type LWU
25		○	—	—
30		○	—	—
40		—	○	○
50		—	○	○
60		—	○	○
86		—	○	○
100		—	—	○
130		—	—	○

4 Number of slide units

: C○

Indicate the number of slide units assembled on one track rail.

5 Length of track rail

: R○

Indicate the length of track rail in mm. For standard and maximum lengths, see "Track rail length" on page B-134.

6 Preload amount

Standard : No symbol
Light preload : T1

For details of preload amount, see page 84.

B
LWU...B, LWU

7 Accuracy class

Ordinary : No symbol
 High : H
 For details of accuracy, see page 79.

8 Special specification

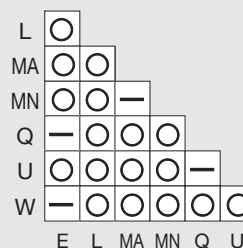
For applicable special specifications, see Table 2.
 When several special specifications are required, see Table 3. For details of special specifications, see page 86.

Table 2 Special specifications

Special specification	Supplemental code	Dimension
Specified rail mounting hole positions ⁽¹⁾	E	
Black chrome surface treatment ⁽²⁾	L	
Supplied with track rail mounting bolt ⁽³⁾	MA	See Table 4
Supplied without track rail mounting bolt ⁽¹⁾	MN	
Capillary plates ⁽³⁾	Q	See Table 5
Upper seals ⁽¹⁾	U	See Table 6
Matched sets to be used as an assembled group	W	

Note⁽¹⁾ : Applicable to size 25 and 30 models.
 Note⁽²⁾ : Only "LR" is applicable to size 25 and 30 models.
 Note⁽³⁾ : Not applicable to size 25 and 30 models.

Table 3 Combination of special specifications



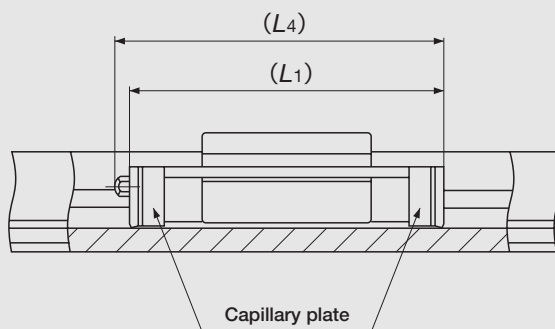
Remark : When several special specifications are required, arrange the supplemental codes alphabetically.

Table 4 Recommended track rail mounting bolt size (Supplemental code /MA)

Model number	Recommended bolt size
LWU 40...B	M 3× 8
LWU 50...B	M 4×10
LWU 60...B	M 5×12
LWU 86...B	M 6×16
LWU 100	M 8×20
LWU 130	M10×25

Remark 1 : The above table shows representative model numbers but is applicable to all models of the same size.
 Remark 2 : Hexagon socket head bolts of strength division 12.9 of JIS B 1176 are recommended.

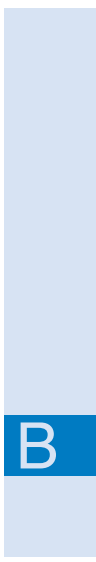
Table 5 Slide unit with capillary plates (Supplemental code /Q)



unit : mm

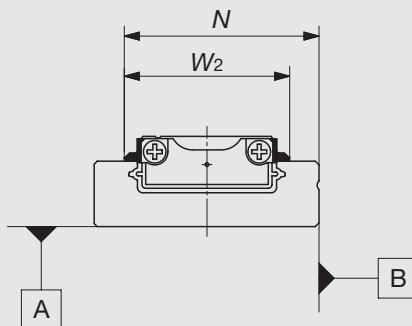
Model number	L ₁	L ₄
LWU 40...B	67	68
LWU 50...B	82	83
LWU 60...B	95	102
LWU 86...B	142	148
LWU 100	166	172
LWU 130	190	196

Remark : The above table shows representative model numbers but is applicable to all models of the same size.



LWU...B, LWU

Table 6 Slide unit with upper seals (Supplemental code /U)



unit : mm

Model number	N	W ₂
LWUL 25...B	21.4	18
LWUL 30...B	25.9	22

1N=0.102kgf=0.2248lbs.
1mm=0.03937inch

● Track rail length

Standard and maximum lengths of track rails are shown in Table 7.

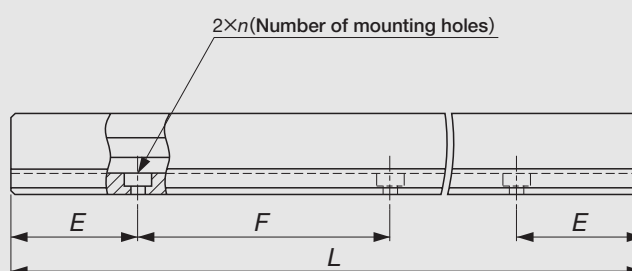
For miniature type, track rails in any length are also available. Simply indicate the necessary length of track rail in mm in the identification number. For the tolerances of E dimension and track rail length, consult **IKD** for further information.

- E dimensions at both ends are the same and are within the standard range of E unless otherwise specified. To change these dimensions, specify the specified rail mounting hole positions "/ E " of special specification. For details, see page 89.

For standard type, when requiring track rails in any length other than the standard length, consult **IKD** for further information.

- For ball non-retained type track rails longer than the maximum length shown in Table 6, butt-jointing track rails are available upon request. When requiring, consult **IKD** for further information.

Table 7 Standard and maximum lengths of track rails



unit : mm

Item	Model number	LWUL 25...B	LWUL 30...B	LWU 40...B LWU 40	LWU 50...B LWU 50
Standard length $L(n)$		105(3)	120(3)	180(3)	240(3)
		140(4)	160(4)	240(4)	320(4)
		175(5)	200(5)	300(5)	400(5)
		210(6)	240(6)	360(6)	480(6)
		245(7)	280(7)	420(7)	560(7)
		280(8)	320(8)	480(8)	640(8)
Pitch of mounting holes F		35	40	60	80
E		17.5	20	30	40
Standard range of E	incl.	4.5	4.5	—	—
	under	22	24.5	—	—
Maximum length ⁽¹⁾		420 (840)	480 (960)	720	800
Item	Model number	LWU 60...B LWU 60	LWU 86...B LWU 86	LWU 100	LWU 130
Standard length $L(n)$		300(3)	300(3)	450(3)	450(3)
		400(4)	400(4)	600(4)	600(4)
		500(5)	500(5)	750(5)	750(5)
		600(6)	600(6)	900(6)	900(6)
		700(7)	700(7)	1 050(7)	1 050(7)
		800(8)	800(8)	1 200(8)	1 200(8)
Pitch of mounting holes F		100	100	150	150
E		50	50	75	75
Maximum length ⁽¹⁾		1 000	1 200	1 500	1 500

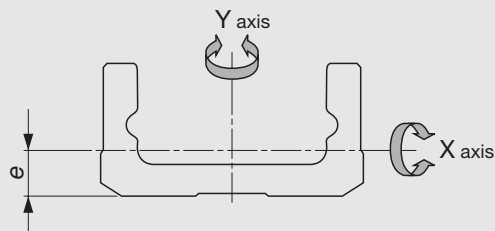
Note⁽¹⁾ : Track rails with the maximum lengths shown in parentheses can also be manufactured. Consult **IKD** for further information.

Remark : M8 female threads for hanging bolt are provided on the track rail of size 100 model. And M10 female threads for hanging bolt are provided on the track rail of size 130 model.

● Moment of inertia of sectional area

Table 8 shows the moment of inertia of sectional area of track rails.

Table 8 Moment of inertia of sectional area of track rails



Model number	Moment of inertia of sectional area mm ⁴		Center of gravity e mm
	I _x	I _y	
LWUL 25...B	3.7 × 10 ²	7.5 × 10 ³	2.6
LWUL 30...B	9.3 × 10 ²	1.7 × 10 ⁴	3.3
LWU 40...B	1.0 × 10 ⁴	6.8 × 10 ⁴	6.6
LWU 40		6.9 × 10 ⁴	
LWU 50...B	2.8 × 10 ⁴	1.7 × 10 ⁵	8.7
LWU 50			
LWU 60...B	6.3 × 10 ⁴	3.9 × 10 ⁵	10.7
LWU 60			10.8
LWU 86...B	2.4 × 10 ⁵	1.6 × 10 ⁶	14.6
LWU 86			
LWU 100	5.9 × 10 ⁵	3.3 × 10 ⁶	18.8
LWU 130	1.4 × 10 ⁶	8.8 × 10 ⁶	23.0

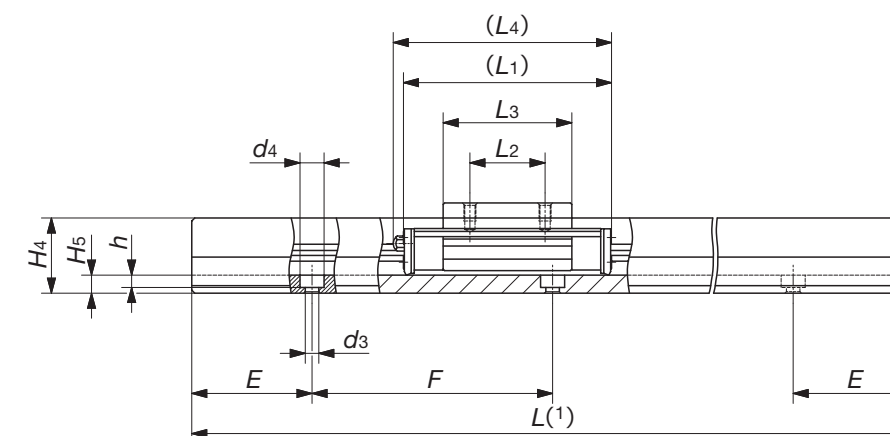
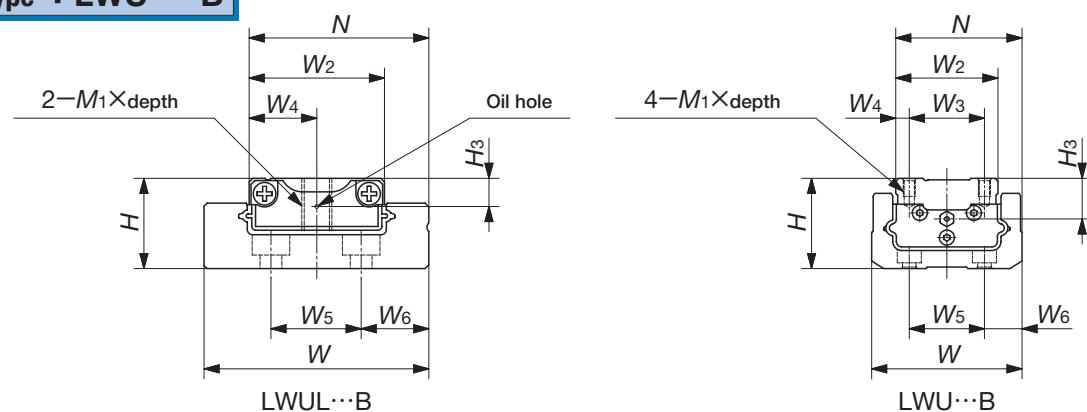
B

LWU...B, LWU

IKO Linear Way U



Ball retained type
Miniature type : LWUL...B
Standard type : LWU ...B



Model number	Mass (Ref.)		Dimensions of assembly mm		Dimensions of slide unit mm								
	Slide unit kg	Track rail kg/m	H	N	W ₂	W ₃	W ₄	L ₁	L ₂	L ₃	L ₄	M ₁ ×depth	H ₃
LWUL 25...B	0.013	0.87	9	19.4	14	—	7	31	12	22	—	M3× 5	2.9
LWUL 30...B	0.029	1.39	12	23.9	18	—	9	38	14	28.6	—	M4× 7	3.75
LWU 40...B	0.12	2.65	24	33	26	18	4	55	18	31.5	59	M3× 5	10.5
LWU 50...B	0.27	4.06	30	42	34	25	4.5	70	25	42.8	73	M4× 6	13.5
LWU 60...B	0.40	6.66	35	49	38	28	5	83	28	52.4	90	M5× 8	14.5
LWU 86...B	1.32	14.1	48	71	56	46	5	130	46	93	136	M6× 12	25.5

Dimensions of track rail mm										Mounting bolt for track rail mm Bolt size x length	Basic dynamic load rating ⁽²⁾ C N	Basic static load rating ⁽²⁾ C ₀ N	Static moment rating ⁽²⁾		
W	H ₄	H ₅	W ₅	W ₆	d ₃	d ₄	h	E	F				T ₀ N·m	T _X N·m	T _Y N·m
24.9	6.7	3.2	9	8	2.9	4.8	1.6	17.5	35	Cross recessed head screw for precision equipment M2.5×6	1 770	2 840	20.3	10.1 53.7	8.4 45.0
29.9	8.7	4.5	12	9	2.9	5	2.7	20	40	Hexagon socket head bolt M2.5×6	2 280	3 810	34.9	16.9 87.5	14.2 73.4
40	19	5	18	11	3.4	6.5	3.1	30	60	Not appended	8 410	9 780	134	53.0 351	53.0 351
50	25	6	25	12.5	4.5	8	4.1	40	80	Not appended	13 500	15 800	280	114 711	114 711
60	30	8	28	16	5.5	9.5	5.4	50	100	Not appended	18 800	21 600	425	181 1 150	181 1 150
86	42	13	46	20	7	11	7	50	100	Not appended	41 400	51 500	1 470	764 4 120	764 4 120

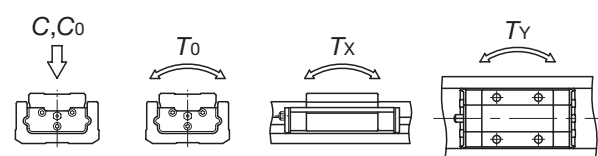
Note⁽¹⁾ : Track rail lengths are shown in Table 7 on page B-134.

⁽²⁾ : The directions of basic dynamic load rating (C), basic static load rating (C₀) and static moment rating (T₀, T_X, T_Y) are shown in the sketches below. The upper values in the T_X and T_Y columns apply to one slide unit, and the lower values apply to two slide units in close contact.

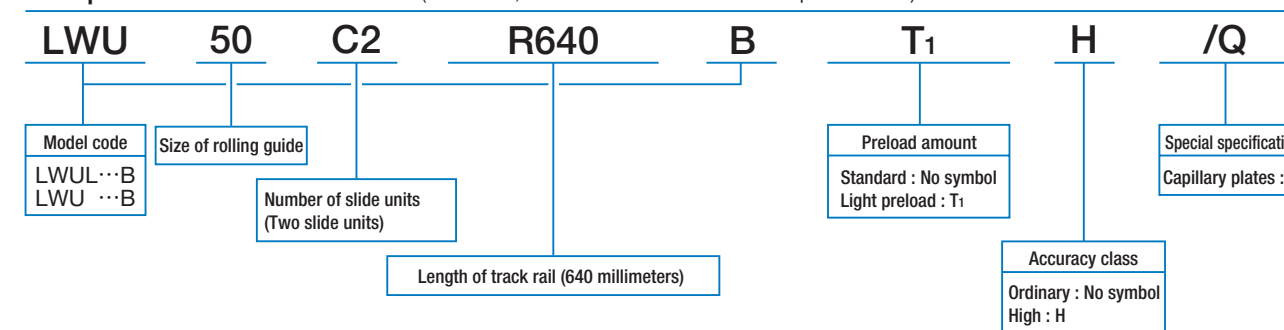
Remark 1 : For grease nipple and oil hole specifications, see page 97.

2 : The appended track rail mounting bolts are hexagon socket head bolts of JIS B 1176 or equivalent, or cross-recessed head screws for precision equipment. For stainless steel type Linear Way U, stainless steel bolts or screws are appended.

3 : Track rail mounting bolts are not appended to model size 40, 50, 60 and 86. Hexagon socket head cap bolts of JIS B 1176 in strength division 12.9 are recommended. Please see Table 4 on page B-132.



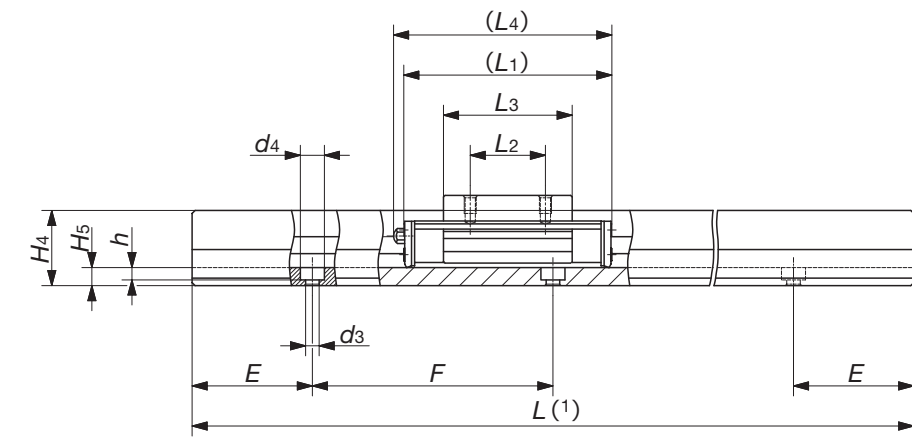
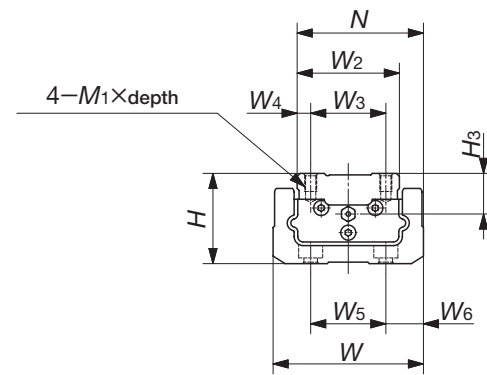
Example of identification number (For details, see "Identification number and specification".)



IKO Linear Way U



Ball non-retained type
Standard type : LWU



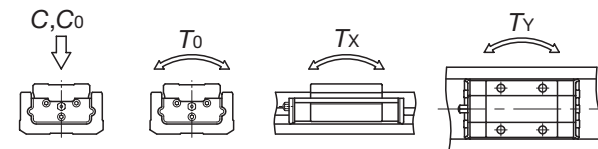
Model number	Mass (Ref.)		Dimensions of assembly mm		Dimensions of slide unit mm									
	Slide unit kg	Track rail kg/m	H	N	W ₂	W ₃	W ₄	L ₁	L ₂	L ₃	L ₄	M1×depth	H ₃	W
LWU 40	0.12	2.66	24	33	26	18	4	55	18	31.5	59	M 3× 5	10.5	40
LWU 50	0.27	4.08	30	42	34	25	4.5	70	25	42.8	73	M 4× 6	13.5	50
LWU 60	0.40	6.69	35	49	38	28	5	83	28	52.4	90	M 5× 8	14.5	60
LWU 86	1.32	14.1	48	71	56	46	5	130	46	93	136	M 6× 12	25.5	86
LWU 100	2.20	21.5	58	82	65	50	7.5	154	50	111	158	M 8× 15	29	99.5
LWU 130	4.49	33.0	72	109	88	70	9	178	70	132	182	M10× 20	35.5	130

Note(1) : Track rail lengths are shown in Table 7 on page B-134.

(2) : The directions of basic dynamic load rating (C), basic static load rating (C₀) and static moment rating (T₀, T_x, T_y) are shown in the sketches below. The upper values in the T_x and T_y columns apply to one slide unit, and the lower values apply to two slide units in close contact.

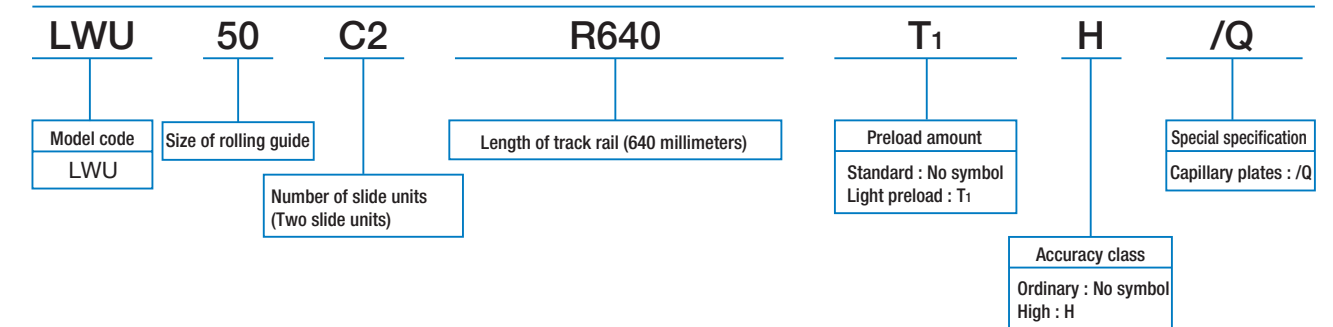
Remark 1 : Track rail mounting bolts are not appended. Hexagon socket head cap bolts of JIS B 1176 in strength division 12.9 are recommended. Please see Table 4 on page B-132.

2 : For grease nipple specifications, see page 97.



Dimensions of track rail mm									Basic dynamic load rating ⁽²⁾ C N	Basic static load rating ⁽²⁾ C ₀ N	Static moment rating ⁽²⁾		
H ₄	H ₅	W ₅	W ₆	d ₃	d ₄	h	E	F			T ₀ N·m	T _x N·m	T _y N·m
19	5	18	11	3.4	6.5	3.1	30	60	8 410	9 780	134	53.0 351	53.0 351
25	6	25	12.5	4.5	8	4.1	40	80	13 500	15 800	280	114 711	114 711
30	8	28	16	5.5	9.5	5.4	50	100	18 800	21 600	425	181 1 150	181 1 150
42	13	46	20	7	11	7	50	100	41 400	51 500	1 470	764 4 120	764 4 120
52	17	50	24.5	9	14	9	75	150	54 600	68 500	2 230	1 210 6 460	1 210 6 460
65	20	70	30	11	17.5	10.6	75	150	70 300	88 800	3 920	1 830 9 630	1 830 9 630

Example of identification number (For details, see "Identification number and specification".)



U.S. PATENTED

Linear Way Module

LWLM/LWM/LRWM

IKO Linear Way Module is a compact linear motion rolling guide for endless linear motion, and consists of a set of track rail and slide member which forms the smallest unit of linear motion mechanism. Various models are available for selection suitable for each application. In general, two sets are used in parallel.

Compact

The one row, four point contact design has achieved a compact product, which can be mounted in a very small space. It can be easily adapted to the structure of machines and equipment, providing a high degree of freedom in machine design.

Low height

As the sectional height is low, Linear Way Modules can be easily adapted to the structure of machines and equipment.

Linear Way LM

As stainless steel components are used, Linear Way LM has excellent corrosion resistance and is most suitable for machines and equipment used in clean environments, for example, medical equipment, disk read devices, and semi-conductor manufacturing equipment.

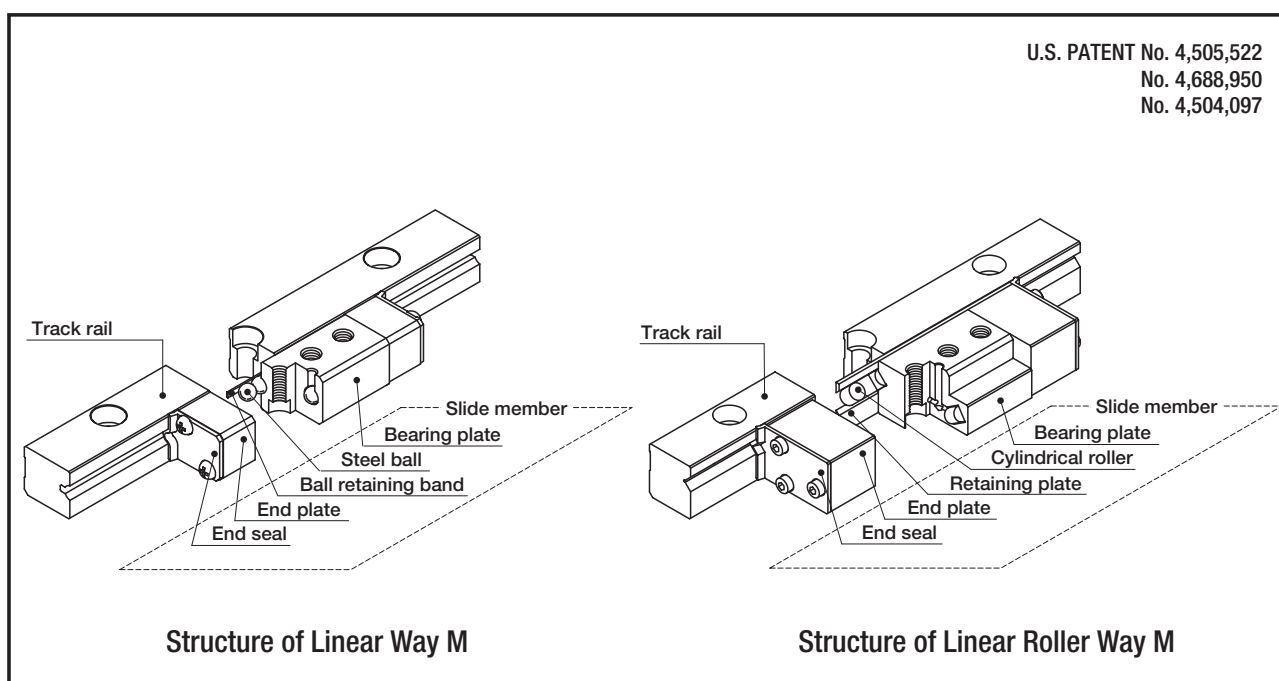
Linear Roller Way M

High rigidity cylindrical rollers are alternately crossed at right angles to each other. This product is suitable for applications with heavy loads and shock loads.

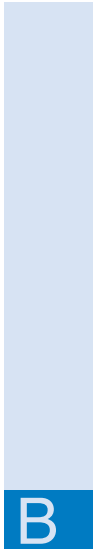
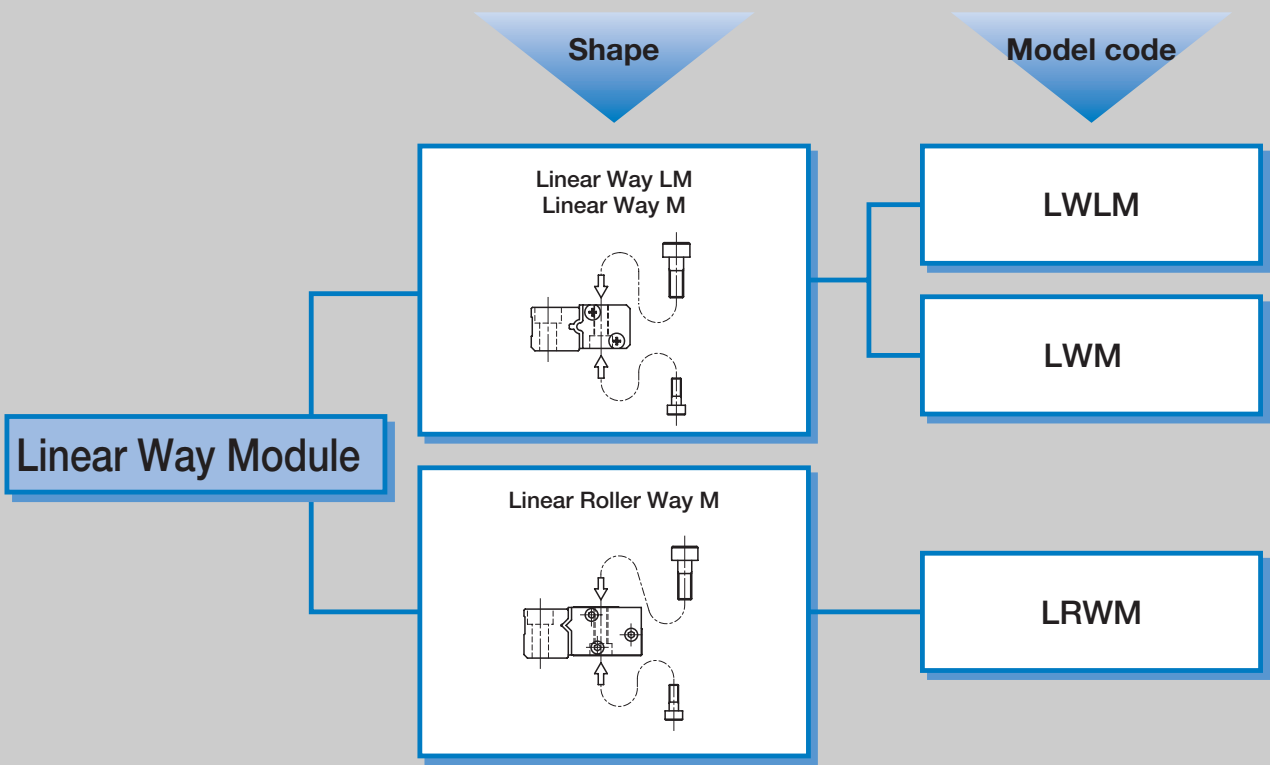
Linear Way M

Linear Way M is a standard type, incorporating steel balls as rolling elements.

U.S. PATENT No. 4,505,522
No. 4,688,950
No. 4,504,097



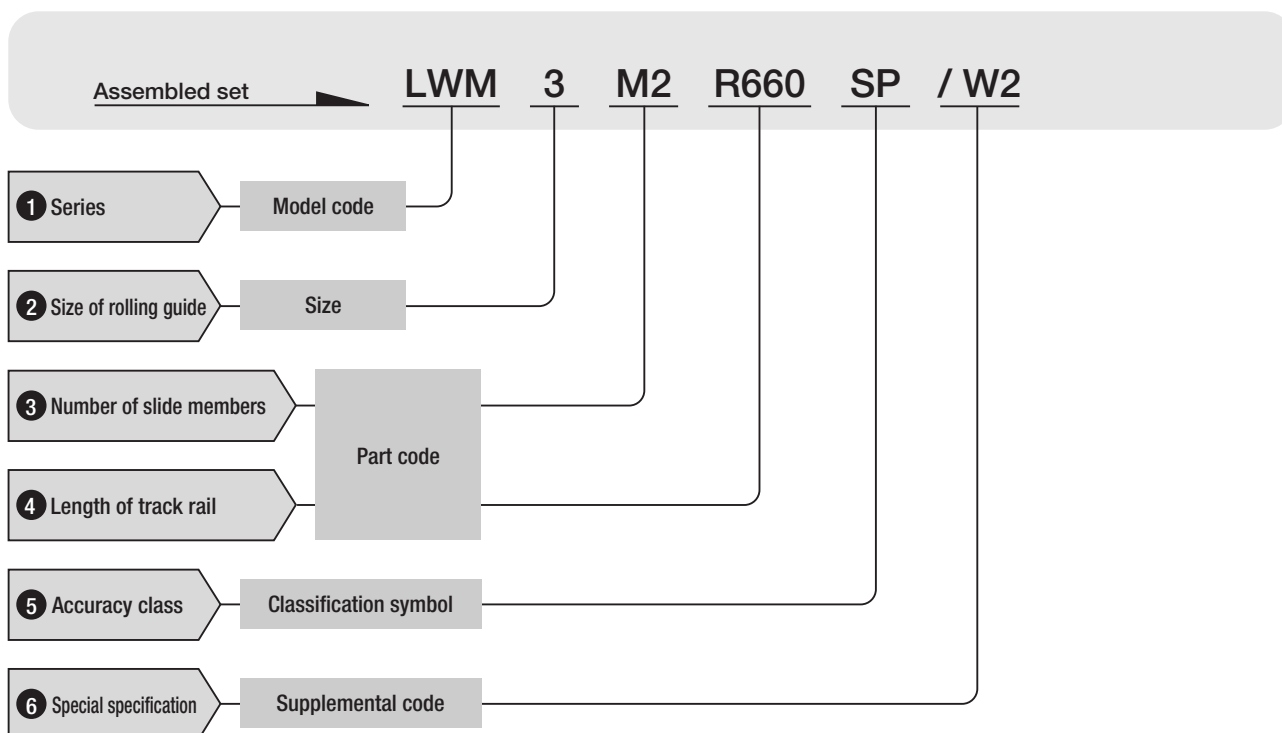
Linear Way Module series



LWLM, LWM, LRWM

● Identification number and specification

The specification of Linear Way Module is indicated by the identification number, consisting of a model code, a size, a part code, a classification symbol and any supplemental codes. For details of each specification, see page 76.



Remark : Above identification number indicates an assembled set consisting of one track rail and two slide members (in case of above example). It is needed to place an order of two sets of above, when two rails are set in parallel.

1 Series

Linear Way LM : LWLM
 Linear Way M : LWM
 Linear Roller Way M : LRWM

See the table of dimensions of each series.

2 Size of rolling guide

3 Number of slide members

: M○

Indicate the number of slide members assembled on one track rail.

4 Length of track rail

: R○

Indicate the length of track rail in mm. For standard and maximum lengths, see "Track rail length" on page B-145.

5 Accuracy class

High : H
 Precision : P
 Super precision : SP

For details of accuracy, see page 79.

6 Special specification

For applicable special specifications, see Table 1. When several special specifications are combined, see Table 2. For details of special specifications, see page 86.

B

LWLM, LWM, LRWM

Table 1 Special specifications

Special specification	Supplemental code	Linear Way LM	Linear Way M	Linear Roller Way M
Butt-jointing track rail	A	—	○	○
Specified rail mounting hole positions	E	○	○	○
Caps for rail mounting holes	F	—	○	○
Inspection sheet	I	○	○	○
Black chrome surface treatment	LR	—	○	○
Fluorine black chrome surface treatment	LFR	—	○	○
Supplied without track rail mounting bolt	MN	○	○ (1)	○ (1)
Matched sets to be used as an assembled group	W	○	○	○
Specified grease	Y	○	○	○

Table 2 Combination of special specifications

E	—								
F	○	○							
I	○	○	○						
LR	○	○	○	○					
LFR	○	○	○	○	—				
MN	○	○	○	○	○	○			
W	○	—	○	○	○	○	○		
Y	○	○	○	○	○	○	○	○	○
	A	E	F	I	LR	LFR	MN	W	

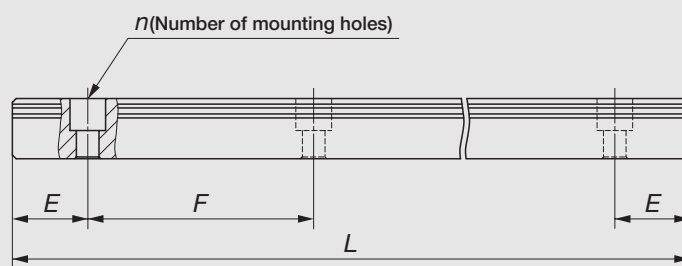
Remark 1 : In the table, the mark — indicates that this combination cannot be made.
 2 : When several special specifications are required, arrange the supplemental codes alphabetically.

● Track rail length

Standard and maximum lengths of track rails are shown in Table 3. Track rails in any length are also available. Simply indicate the necessary length of track rail in mm in the identification number. For the tolerances of *E* dimension and track rail length, consult **IKO** for further information.

- For track rails of Linear Way M or Linear Roller Way M longer than the maximum length shown in Table 3, butt-jointing track rails are available upon request. In this case, indicate "/A" in the identification number.
- *E* dimensions at both ends are the same and are within the standard range of *E* unless otherwise specified. To change these dimensions, specify the specified rail mounting hole positions "/E" of special specification. For details, see page 89.

Table 3 Standard and maximum lengths of track rails



unit : mm

Item \ Model number	LWLM 7	LWLM 9	LWLM 11				
Standard length $L (n)$	60(3)	100(4)	160(4)				
	80(4)	150(6)	240(6)				
	120(6)	200(8)	320(8)				
	160(8)	275(11)	440(11)				
Pitch of mounting holes F	20	25	40				
E	10	12.5	20				
Standard range of E	incl.	4.5	5	5.5			
	under	14.5	17.5	25.5			
Maximum length ⁽¹⁾	240	350	520				
	(500)	(900)	(1 000)				
Item \ Model number	LWM 1	LWM 2	LWM 3	LWM 4	LWM 5	LWM 6	
Standard length $L (n)$	240(6)	240(4)	480(8)	800(10)	800(8)	1 200(10)	
	360(9)	360(6)	660(11)	1 040(13)	1 200(12)	1 920(16)	
	480(12)	480(8)	840(14)	1 200(15)	1 500(15)	2 520(21)	
Pitch of mounting holes F	40	60	60	80	100	120	
E	20	30	30	40	50	60	
Standard range of E	incl.	7	8	9	10	12	13
	under	27	38	39	50	62	73
Maximum length	1 240	1 260	1 260	1 520	1 500	2 520	
Item \ Model number	LRWM 2	LRWM 3	LRWM 4	LRWM 5	LRWM 6		
Standard length $L (n)$	480(8)	480(8)	800(10)	800(8)	1 200(10)		
	660(11)	660(11)	1 040(13)	1 200(12)			
	840(14)	840(14)	1 200(15)	1 500(15)			
Pitch of mounting holes F	60	60	80	100	120		
E	30	30	40	50	60		
Standard range of E	incl.	8	9	10	12	13	
	under	38	39	50	62	73	
Maximum length	1 800	1 860	1 920	1 600	1 200		

Note⁽¹⁾ : Track rails with the maximum lengths shown in parentheses can also be manufactured for LWLM. Consult **IKO** for further information.

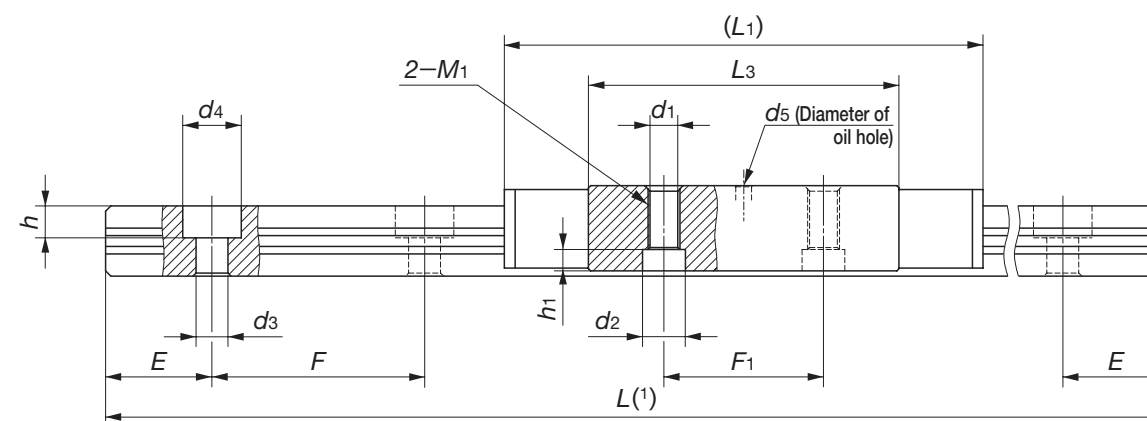
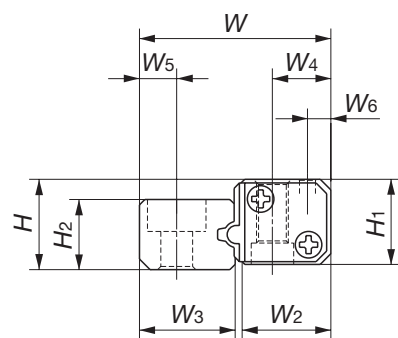
B

LWLM, LWM, LRWM

IKO Linear Way Module



Linear Way LM
LWLM (Stainless steel made)



Model number	Mass (Ref.)		Dimensions of assembly mm		Dimensions of slide member mm											
	Slide member g	Track rail g/m	H	W	H ₁	W ₂	W ₄	W ₆	L ₁	L ₃	F ₁	d ₁	d ₂	h ₁	M ₁	d ₅
LWLM 7	10	210	7	15	6.6	7.8	5	2.5	38	24	12	—	—	—	M2.6	1
LWLM 9	16	390	8.5	18	8	8.6	5.5	2.2	45	29.2	15	—	—	—	M3	1.5
LWLM 11	32	590	11	23	10	11.8	7	3	52	32.8	15	2.55	5	3	M3	2

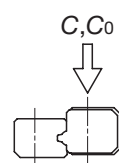
Note⁽¹⁾ : Track rail lengths are shown in Table 3 on page B-145.

⁽²⁾ : The directions of basic dynamic load rating (C) and basic static load rating (C₀) are shown in the sketch below.

⁽³⁾ : In LWLM7, counter bore is not provided to the track rail. Total height of track rail including bolt head is 7.4mm.

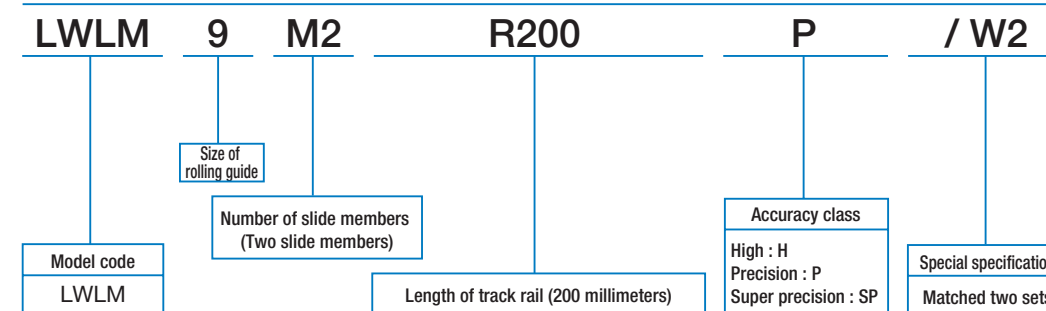
Remark 1 : The appended track rail mounting bolts are hexagon socket head stainless steel bolts of JIS B 1176 or equivalent.

2 : Slide member mounting bolts are not appended.



Dimensions of track rail mm								Mounting bolt for track rail mm Bolt size x length	Basic dynamic load rating ⁽²⁾ C N	Basic static load rating ⁽²⁾ C ₀ N
H ₂	W ₃	W ₅	d ₃	d ₄	h	E	F			
4.8	6.8	3.3	3 ⁽³⁾	— ⁽³⁾	— ⁽³⁾	10	20	M 2.6 × 8 ⁽³⁾	1 730	2 020
6.6	9	3.5	3	5.5	3	12.5	25	M 2.6 × 8	2 780	3 150
8	10.8	5	3.5	6	4.5	20	40	M 3 × 8	4 080	4 240

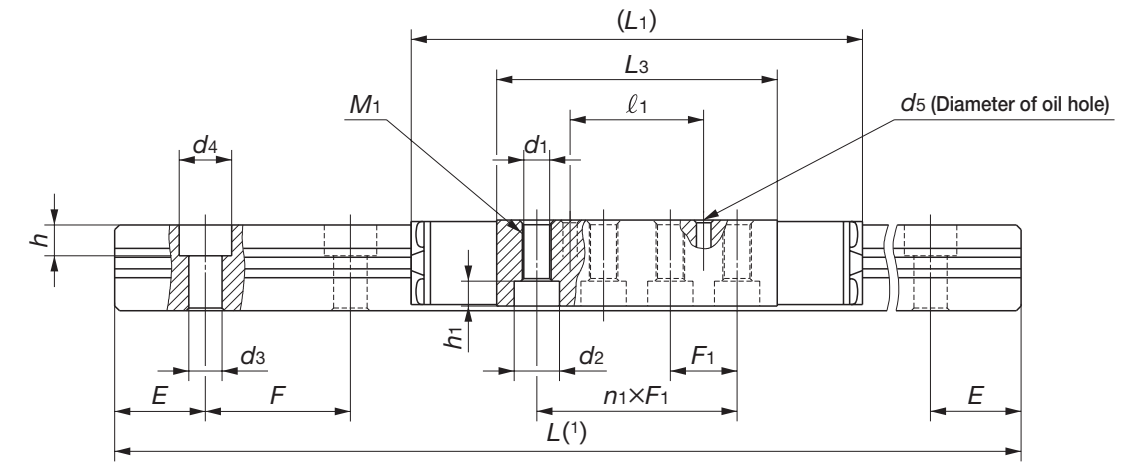
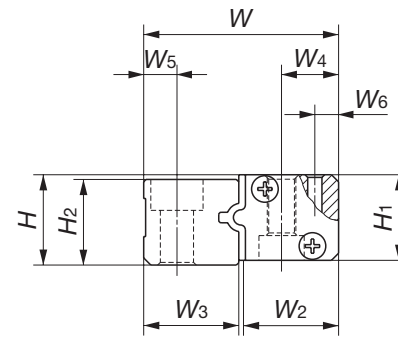
Example of identification number (For details, see "Identification number and specification".)



IKO Linear Way Module



Linear Way M LWM

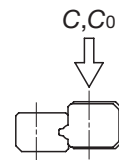


Model number	Mass (Ref.)		Dimensions of assembly mm		Dimensions of slide member mm									
	Slide member g	Track rail g/m	H	W	H ₁	W ₂	W ₄	W ₆	L ₁	L ₃	n ₁ ×F ₁	d ₁	d ₂	h ₁
LWM 1	0.07	1.20	14	28	13	14.6	9	4	65	41.2	2×13	3.4	6.5	3.1
LWM 2	0.11	1.93	17	35	16	17	10	4	75	47.2	2×15	4.4	8	4.1
LWM 3	0.17	2.71	19	41	18	20	12	5	95	58.8	3×14	5.4	9.5	5.2
LWM 4	0.32	3.49	21	51	20	25	15	6	125	80.6	3×20	6.8	11	6.2
LWM 5	0.56	5.25	25	63	24	30	18	8	145	94.8	4×20	6.8	11	6.2
LWM 6	1.35	7.56	31	78	30	40	24	11	180	131	5×22	8.6	14	8.2

Note(1) : Track rail lengths are shown in Table 3 on page B-145.

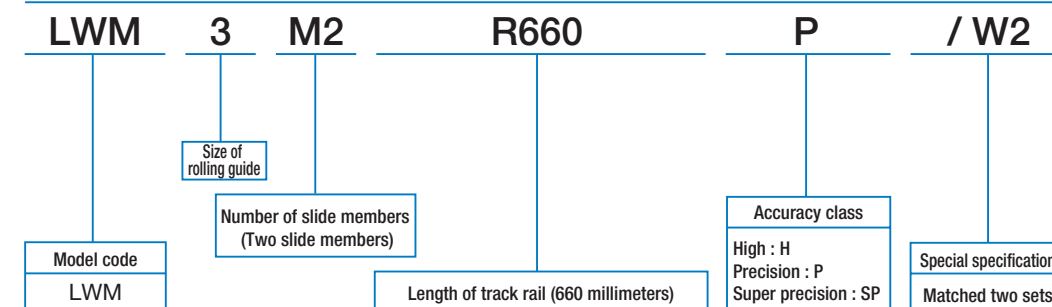
(2) : The directions of basic dynamic load rating (C) and basic static load rating (C₀) are shown in the sketch below.

Remark : The appended slide member and track rail mounting bolts are hexagon socket head bolts of JIS B 1176 or equivalent.



M ₁	l ₁	d ₅	Mounting bolt for slide member mm Bolt size x length	Dimensions of track rail mm								Mounting bolt for track rail mm Bolt size x length	Basic dynamic load rating ⁽²⁾ C N	Basic static load rating ⁽²⁾ C ₀ N
				H ₂	W ₃	W ₅	d ₃	d ₄	h	E	F			
M 4	13	2	M3×14	13	13	5.5	4.5	8	4.5	20	40	M 4×14	4 720	6 410
M 5	15	3	M4×18	16	17	6	6	9.5	5.4	30	60	M 5×18	7 150	9 240
M 6	—	3	M5×20	18	20	7	7	11	6.5	30	60	M 6×20	13 700	16 600
M 8	—	3	M6×22	20	25	9	9	14	9	40	80	M 8×22	23 200	27 400
M 8	20	3	M6×28	24	31	12	11	17.5	11	50	100	M10×25	35 300	41 000
M10	—	3	M8×35	30	36	14	14	20	13	60	120	M12×35	74 100	80 900

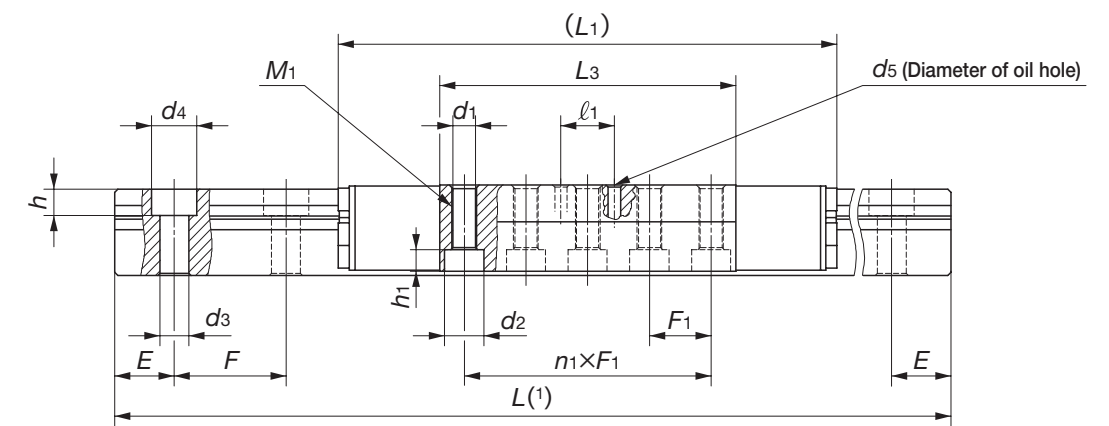
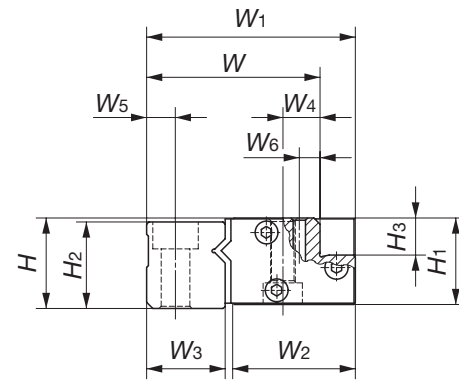
Example of identification number (For details, see "Identification number and specification".)



IKO Linear Way Module



Linear Roller Way M LRWM

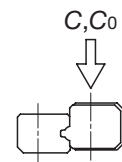


Model number	Mass (Ref.)		Dimensions of assembly mm			Dimensions of slide member mm										
	Slide member kg	Track rail kg/m	H	W	W ₁	H ₁	H ₃	W ₂	W ₄	L ₁	L ₃	n×F ₁	M ₁	d ₁	d ₂	h ₁
LRWM 2	0.26	1.98	19	33	39.6	18	7.5	22.9	8	105	63	4×12	M 5	4.4	8	4.1
LRWM 3	0.46	2.92	22	42	50.6	21	9	29.8	9	122	72	4×15	M 6	5.4	9.5	5.2
LRWM 4	0.98	4.64	28	56	65.6	27	11	39.4	13	158	96	5×16	M 8	6.8	11	6.2
LRWM 5	2.03	6.85	33	70	81.6	32	13	49.1	16	212	140	5×24	M10	8.6	14	8.2
LRWM 6	3.42	9.25	38	83	96.6	37	15	58.6	21	256	168	6×25	M10	8.6	14	8.2

Note(1) : Track rail lengths are shown in Table 3 on page B-145.

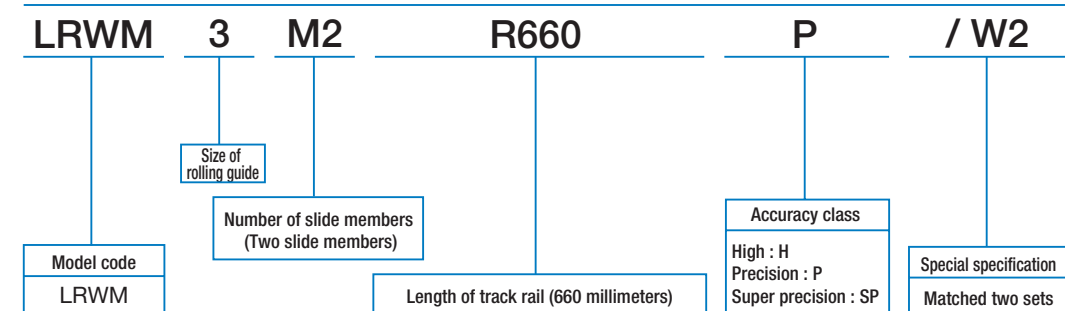
(2) : The directions of basic dynamic load rating (C) and basic static load rating (C₀) are shown in the sketch below.

Remark : The appended slide member and track rail mounting bolts are hexagon socket head bolts of JIS B 1176 or equivalent.



W ₆	l ₁	d ₅	Mounting bolt for slide member mm Bolt size x length	Dimensions of track rail mm								Mounting bolt for track rail mm Bolt size x length	Basic dynamic load rating ⁽²⁾ C N	Basic static load rating ⁽²⁾ C ₀ N
				H ₂	W ₃	W ₅	d ₃	d ₄	h	E	F			
4	10	3	M4×20	18	15	6	6	9.5	5.4	30	60	M 5×20	9 700	10 800
5	13	3	M5×25	21	19	7	7	11	6.5	30	60	M 6×25	18 500	20 300
6	—	3	M6×32	27	24	9	9	14	8.6	40	80	M 8×32	36 500	39 800
7	—	3	M8×35	32	30	12	11	17.5	10.8	50	100	M10×35	67 900	75 500
8	28	3	M8×40	37	35	14	14	20	13	60	120	M12×40	99 800	109 000

Example of identification number (For details, see "Identification number and specification".)





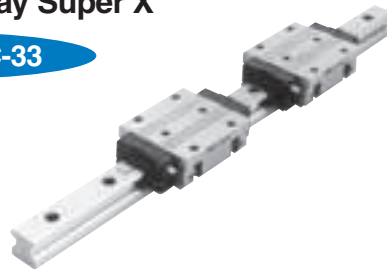
Linear Roller Ways

Description of each series and Table of dimensions

C

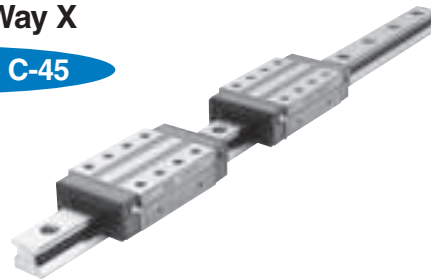
Linear Roller Way Super X

Page C-2 to C-33



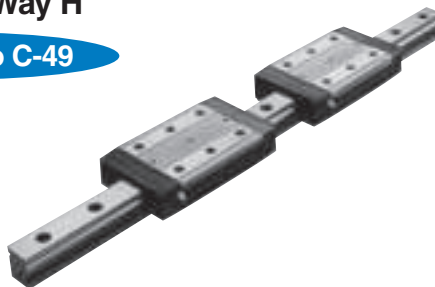
Linear Roller Way X

Page C-34 to C-45



Linear Roller Way H

Page C-46 to C-49



In the table of dimensions, standard products are referred to using identification numbers marked with . The identification numbers marked with refer to our semi-standard products.

(C-1)

U.S. PATENTED

Linear Roller Way Super X

LRX/LRXD/LRXS

IKD Linear Roller Way Super X is a high performance roller type linear motion rolling guide, featuring high reliability, high rigidity, high accuracy, and smooth motion. Four rows of cylindrical rollers are incorporated in a highly rigid casing with good balance, and the cylindrical rollers in each row are arranged in parallel to each other. Owing to its small elastic deformation, stable operation is ensured even under heavy or fluctuating loads. This series is also suitable for applications with vibration and shocks. Various models and sizes are available to meet requirements in each application.

Interchangeable

Linear Roller Way Super X includes interchangeable specification products. The dimensions of slide units and track rails of this specification are individually controlled, so that the slide units and track rails can be combined, added or exchanged freely.

Variable length of slide unit

Three types of slide units, the short slide unit, the standard slide unit and the high rigidity long slide unit with the same sectional dimensions are available for selection suitable for each application.

Flange type and block type

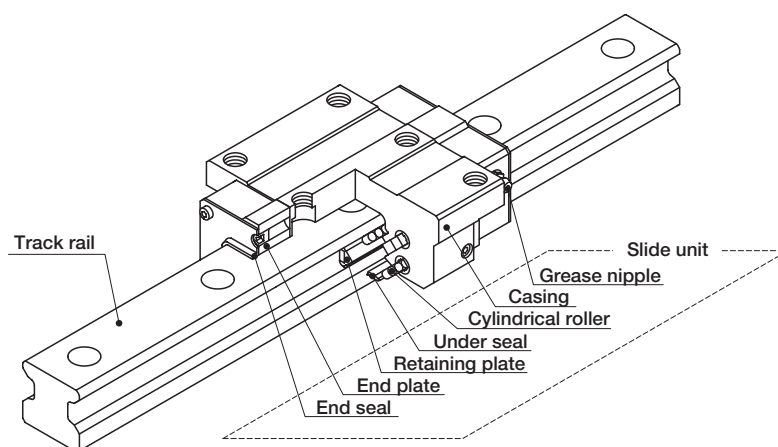
Slide units are available in two different sectional shapes: the flange type for mounting from both upper and lower sides and the block type with a narrow width.

Dimensional interchangeability with the ball type

The mounting dimensions are the same as those of ball type Linear Way H. So this guide can replace the ball type with little modifications of machines or equipment.

Stainless steel type

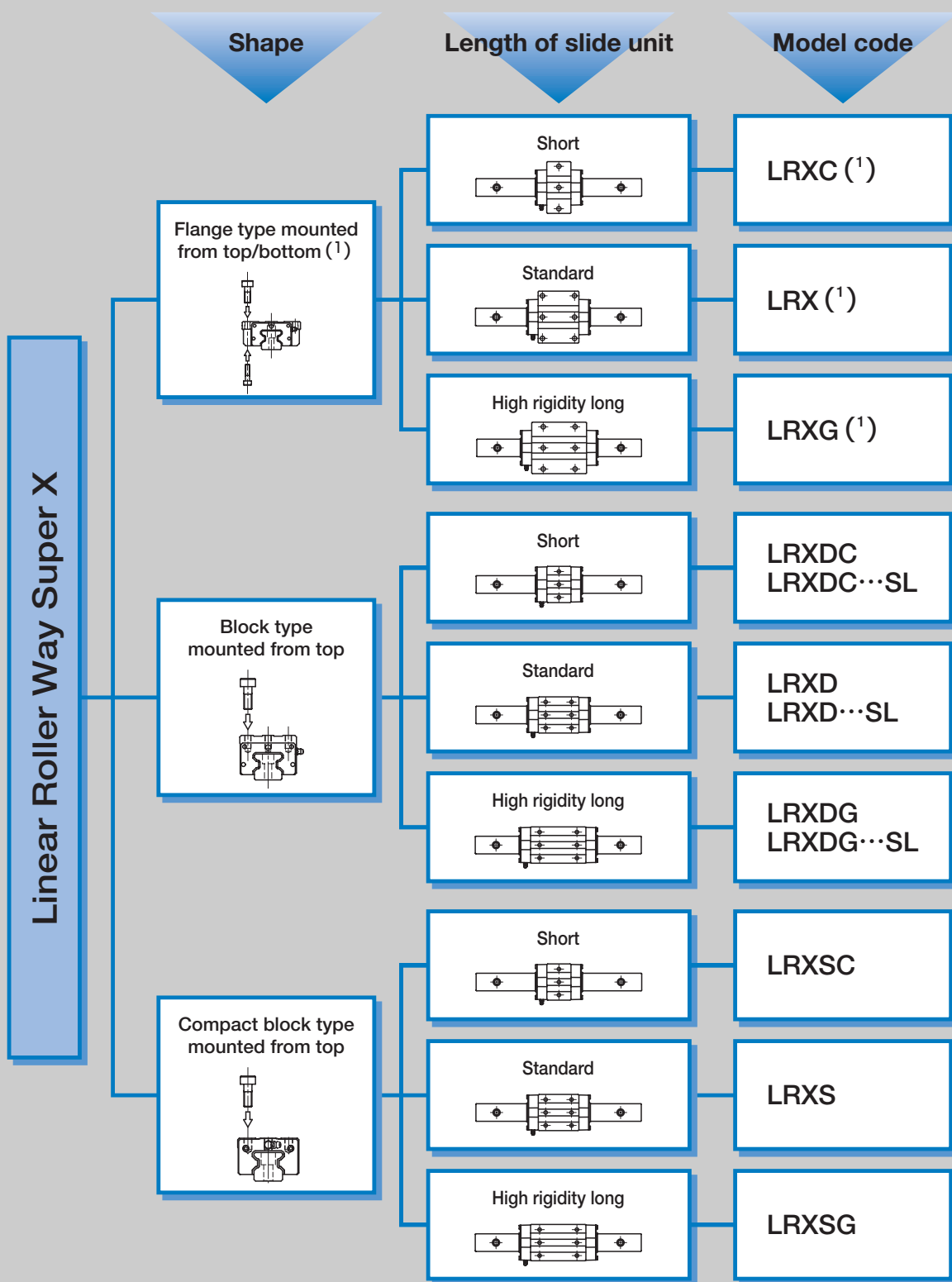
The stainless steel type has excellent corrosion resistance, and is best suited for machines and equipment used in clean environments, for example, medical equipment and semi-conductor manufacturing equipment.



U.S. PATENT No. 6,176,617
No. 5,967,667
No. 5,800,064
No. 5,193,914
No. 4,505,522

Structure of Linear Roller Way Super X

Linear roller Way Super X series



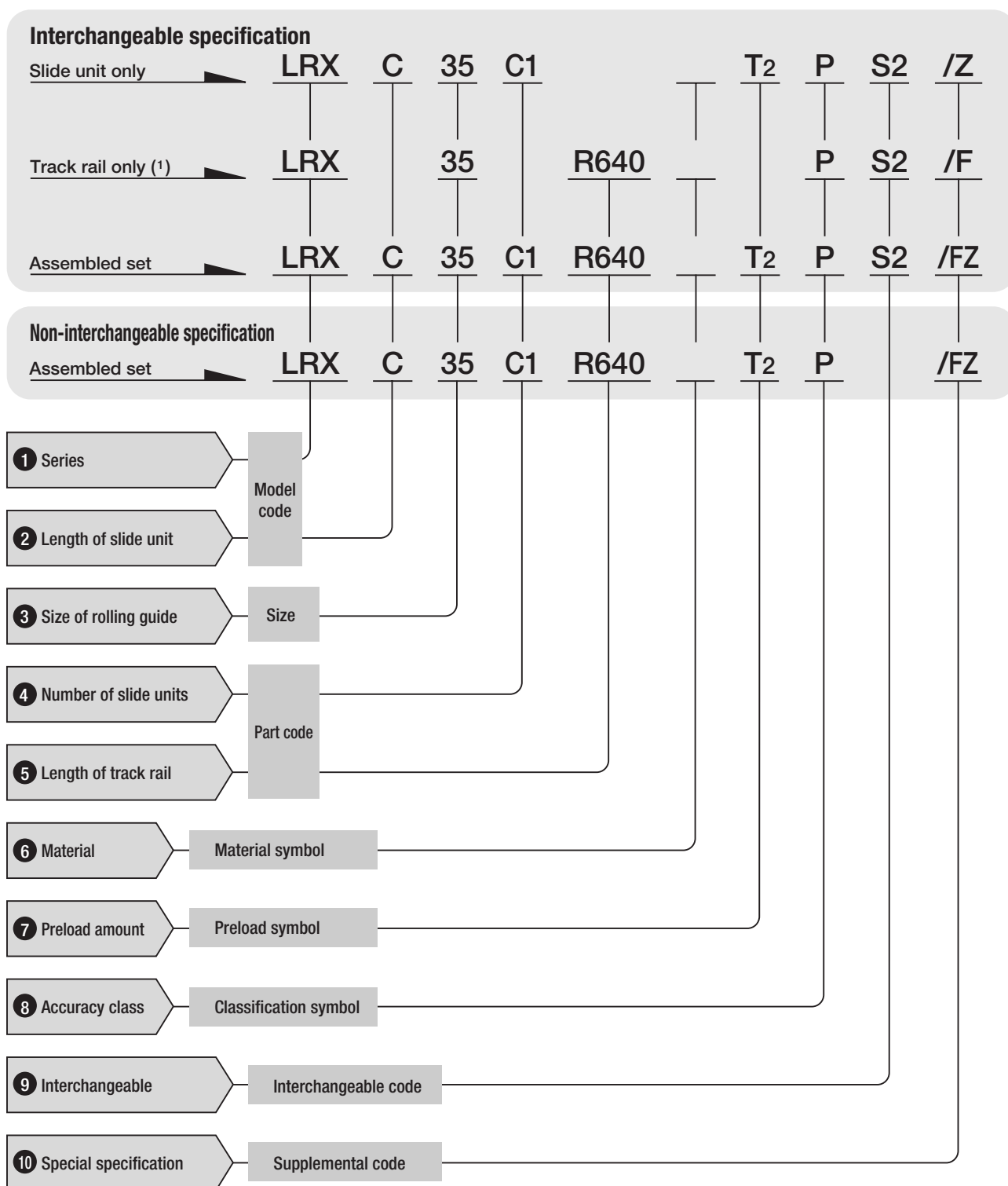
Note(1) : LRXC20, LRX20 and LRXG20 can be mounted from upper side only. For mounting from bottom, LRXHC20, LRXH20 and LRXHG20 can be used, which have the same dimensions as those of the above models.
 Remark : Models with "SL" are stainless steel type.

C
LRX, LRXD, LRXS

1N=0.102kgf=0.2248lbs.
1mm=0.03937inch

● Identification number and specification

The specification of Linear Roller Way Super X is indicated by the identification number, consisting of a model code, a size, a part code, a material symbol, a preload symbol, a classification symbol, an interchangeable code and any supplemental codes. For details of each specification, see page 76.



Note(1) : For the model code of a single track rail of interchangeable specification, indicate "LRX" regardless of the slide unit type to be combined.

1 Series	Flange type mounted from top/bottom : LRX Block type mounted from top : LRXD Compact block type mounting from top : LRXS	
2 Length of slide unit	Short : C Standard : No symbol High rigidity long : G	For available slide unit models, materials and sizes, see Tables 1.1, 1.2 and 1.3.
3 Size of rolling guide		
4 Number of slide units	Assembled set : C○ Slide unit : C1	For an assembled set, indicate the number of slide units assembled on one track rail. For a slide unit, only "C1" can be indicated.
5 Length of track rail	Assembled set : R○ Track rail : R○	Indicate the length of track rail in mm. For standard and maximum lengths, see "Track rail length" on page C-18.
6 Material	High carbon steel made : No symbol Stainless steel made : SL	For available material types, see Tables 1.1, 1.2 and 1.3.

C
LRX, LRXD, LRXS

Table 1.1 Models and sizes of Linear Roller Way Super X flange type

Model Size	High carbon steel made		
	Short LRXC	Standard LRX	High rigidity long LRXG
12	☆	☆	☆
15	☆	☆	☆
20 ⁽¹⁾	☆	☆	☆
25	☆	☆	☆
30	☆	☆	☆
35	☆	☆	☆
45	☆	☆	☆
55	☆	☆	☆
65	☆	☆	☆
85	—	○	○
100	—	—	○

Note(1) : LRXC20, LRX20 and LRXG20 can be mounted from top side only.
 For mounting from bottom side, LRXHC20, LRXH20 and LRXHG20 can be used, which have the same dimensions as those of the above models.
 Remark : The mark ☆ indicates that interchangeable specification products are available.

Table 1.2 Models and sizes of Linear Roller Way Super X block type

Size \ Model	High carbon steel made			Stainless steel made		
	Short LRXDC	Standard LRXD	High rigidity long LRXDG	Short LRXDC···SL	Standard LRXD···SL	High rigidity long LRXDG···SL
12	☆	☆	☆	☆	☆	☆
15	☆	☆	☆	☆	☆	☆
20	☆	☆	☆	☆	☆	☆
25	☆	☆	☆	☆	☆	☆
30	☆	☆	☆	☆	☆	☆
35	☆	☆	☆	—	—	—
45	☆	☆	☆	—	—	—
55	☆	☆	☆	—	—	—
65	☆	☆	☆	—	—	—

Remark : The mark ☆ indicates that interchangeable specification products are available.

Table 1.3 Models and sizes of Linear Roller Way Super X Compact block type

Size \ Model	High carbon steel made		
	Short LRXSC	Standard LRXS	High rigidity long LRXSG
15	☆	☆	☆
20	☆	☆	☆
25	☆	☆	☆
30	☆	☆	☆

Remark : The mark ☆ indicates that interchangeable specification products are available.

7 Preload amount

Standard : No symbol
 Light preload : T₁
 Medium preload : T₂
 Heavy preload : T₃

Specify this item for an assembled set or a single slide unit.
 For applicable preload amount, see Table 2. For details of preload amount, see page 84.

Table 2 Applicable preload types

Size	Preload type (Symbol)			
	Standard (No symbol)	Light preload (T ₁)	Medium preload (T ₂)	Heavy preload (T ₃)
12	☆	☆	○	○
15	☆	☆	☆	○
20	☆	☆	☆	○
25	○	☆	☆	○
30	○	☆	☆	○
35	○	○	☆	☆
45	○	○	☆	☆
55	○	○	☆	☆
65	○	○	☆	☆
85	○	○	○	○
100	○	○	○	○

Remark : The mark ☆ indicates that it is also applicable to interchangeable specification products.

8 Accuracy class

- High : H
- Precision : P
- Super precision : SP
- Ultra precision : UP

For applicable accuracy, see Table 3. In case of interchangeable specification products, assemble slide units and track rails of the same class. For details of accuracy, see page 79.

Table 3 Applicable accuracy class

Size	Accuracy(Symbol)			
	High (H)	Precision (P)	Super precision (SP)	Ultra precision (UP)
12	☆	☆	○	○
15	☆	☆	○	○
20	☆	☆	○	○
25	☆	☆	○	○
30	☆	☆	○	○
35	☆	☆	○	○
45	☆	☆	○	○
55	☆	☆	○	○
65	☆	☆	○	○
85	○	○	○	○
100	○	○	○	○

Remark : The mark ☆ indicates that it is also applicable to interchangeable specification products.

9 Interchangeable code

- Select group 1 : S1
- Select group 2 : S2

Specify this item for interchangeable specification products. Assemble track rails and slide units with the same interchangeable code. Performance and accuracy of "S1" group and "S2" group are the same.

10 Special specification

For applicable special specifications, see Table 4. When several special specifications are combined, see Table 5. For details of special specifications, see page 86.

C
LRX, LRXD, LRXS

Table 4 Special specifications

Special specification	Supplemental code	Assembled set	Track rail only	Slide unit only	Dimension
Butt-jointing track rail	A	○	—	—	
Opposite reference surfaces arrangement	D	☆	—	—	
Specified rail mounting hole positions	E	☆	☆	—	
Caps for rail mounting holes	F	☆	☆	—	
Changed pitch of slide unit middle mounting holes	GE	☆ (1)(2)(3)	—	☆ (1)(2)	See Table 6.
Half pitch of track rail mounting holes	HP	☆ (4)	☆	—	
Inspection sheet	I	○	—	—	
Female threads for bellows	J	☆ (2)(4)(5)	☆ (2)(5)	☆ (2)(5)	See Tables 7.1, 7.2, 7.3 and 7.4.
Black chrome surface treatment	L	☆ (3)(4)	—	—	
Fluorine black chrome surface treatment	LF	☆ (3)(4)	—	—	
Supplied without track rail mounting bolt	MN	☆	☆	—	
No end seal	N	☆ (6)	—	☆ (6)	
Rail cover plate for track rail	PS	○(7)	—	—	
Capillary plate	Q	☆ (4)	—	☆	See Table 8.1 and 8.2.
Butt-jointing interchangeable track rail	T	☆ (8)	☆	—	
Double end seals	V	☆	—	☆	See Tables 9.1 and 9.2.
Matched sets to be used as an assembled group	W	○(3)(4)	—	—	
Specified grease	Y	☆	—	—	
Scrapers	Z	☆	—	☆	See Table 10.1 and 10.2.

Note⁽¹⁾ : Applicable to flange types.(LRX, LRXG, LRXH, LRXHG)

(2) : Not applicable to size 12 models.

(3) : Not applicable to size 85 models.

(4) : Not applicable to size 100 models.

(5) : Not applicable to stainless steel made interchangeable specification products.

(6) : Not applicable to size 55, 65 and 100 models.

(7) : Applicable to size 35, 45 and 55 models.

(8) : Not applicable to non-interchangeable specification products.

Remark : In the table, the mark ☆ indicates that it is also applicable to interchangeable specification products.

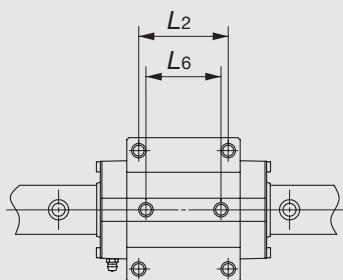
Table 5 Combination of special specifications

D	○																	
E	-	-																
F	○	☆	☆															
GE	○	☆	☆	☆														
HP	-	☆	-	☆	☆													
I	○	○	○	○	○	○												
J	○	☆	☆	☆	☆	-	○											
L	○	☆	☆	☆	☆	☆	○	☆										
LF	○	☆	☆	☆	☆	☆	○	☆	-									
MN	○	☆	☆	☆	☆	☆	○	☆	☆	☆								
N	○	☆	☆	-	☆	☆	○	-	☆	☆	☆							
PS	-	○	○	-	○	○	○	-	-	○	-							
Q	○	☆	☆	☆	☆	☆	○	-	☆	☆	☆	☆	○					
T	-	☆	☆	☆	☆	☆	-	-	☆	☆	☆	☆	-	☆				
V	○	☆	☆	☆	☆	☆	○	★	☆	☆	☆	-	○	-	☆			
W	○	○	-	○	○	○	○	○	○	○	○	○	○	○	-	○		
Y	○	☆	☆	☆	☆	☆	○	☆	☆	☆	☆	☆	○	-	☆	☆	○	
Z	○	☆	☆	☆	☆	☆	○	★	☆	☆	☆	-	-	-	☆	★	○	☆
	A	D	E	F	GE	HP	I	J	L	LF	MN	N	PS	Q	T	V	W	Y

- Remarks 1 : In the table, the mark ☆ indicates that it is also applicable to interchangeable specification products.
 2 : In the table, the mark - indicates that this combination cannot be made.
 3 : For combinations marked ★, consult **IXO** for further information.
 4 : When several special specifications are required, arrange the supplemental codes alphabetically.

C
LRX, LRXD, LRXS

Table 6 Pitch of slide unit middle mounting holes (Supplemental code /GE)

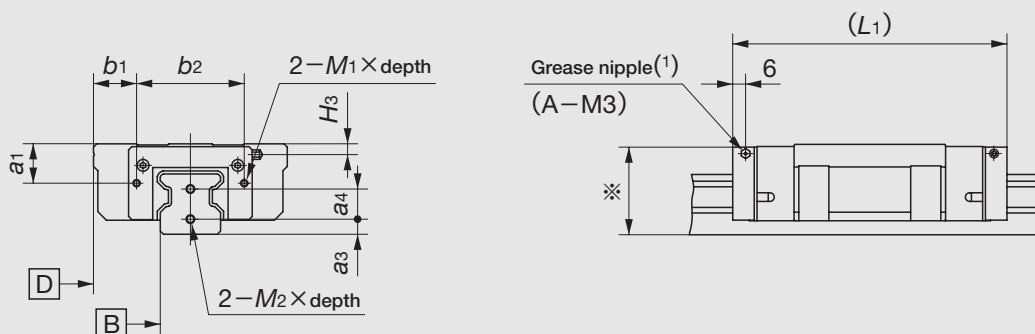


unit : mm

Model number	L ₂	L ₆
LRX (G) 15	30	26
LRX (G) 20 (1)	40	35
LRX (G) 25	45	40
LRX (G) 30	52	44
LRX (G) 35	62	52
LRX (G) 45	80	60
LRX (G) 55	95	70
LRX (G) 65	110	82
LRXG 100	200	150

Note(1) : Also applicable to LRXH(G)20 models that are mounted from bottom.

Table 7.1 Female threads for bellows for flange type slide unit (Supplemental code /J, /JJ)
 Size : 15, 20, 25, 30



unit : mm

Model number	Slide unit					Track rail			
	a ₁	b ₁	b ₂	M ₁ ×depth	L ₁ ⁽²⁾	H ₃	a ₃	a ₄	M ₂ ×depth
LRXC 15	10.5	10.5	26	M3×6	67	1	4	8	M3×6
LRX 15					83				
LRXG 15					99				
LRXC 20⁽³⁾	12	13.5	36		81	2	5	10	
LRX 20⁽³⁾					101				
LRXG 20⁽³⁾					121				
LRXC 25	15.5	15	40		89	4	6	12	
LRX 25					113				
LRXG 25					128				
LRXC 30	18.5	20	50	100	4.8	7	14		
LRX 30				128					
LRXG 30				149					

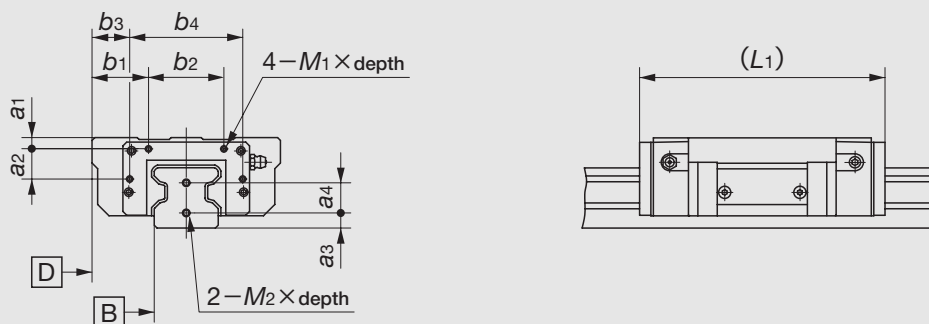
Note⁽¹⁾ : The specification and mounting position of grease nipple are different from those of the standard specification product. The grease nipple of the size 30 models is A-M4. For grease nipple specifications, see page 97.

⁽²⁾ : The values for a slide unit with female threads for bellows at both ends are shown.

⁽³⁾ : Also applicable to LRXHC 20, LRXH 20 and LRXHG 20 that are mounted from bottom.

Remark : For the size 15 and 20 models, the dimension indicated by an asterisk (*) is higher than the H dimension of Linear Roller Way Super X. For details, consult **IKO** for further information.

Table 7.2 Female threads for bellows for flange type slide unit (Supplemental code /J, /JJ)
 Size : 35, 45, 55, 65, 85



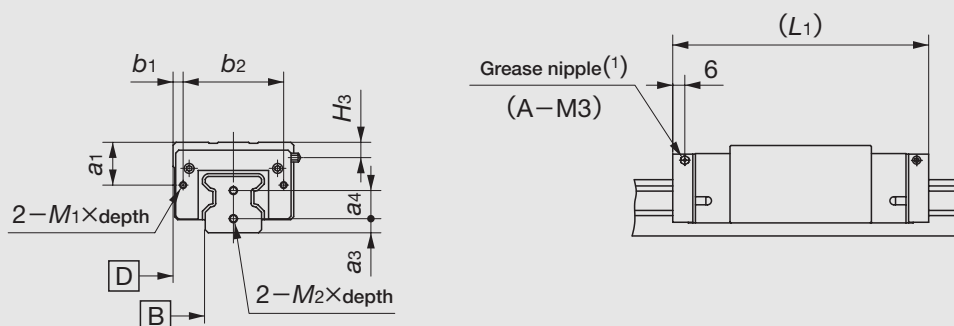
unit : mm

Model number	Slide unit							Track rail			
	a_1	a_2	b_1	b_2	b_3	b_4	$M_1 \times \text{depth}$	$L_1^{(1)}$	a_3	a_4	$M_2 \times \text{depth}$
LRXC 35	6	16	30	40	20	60	M3× 6	99	8	16	M4× 8
LRX 35								131			
LRXG 35								159			
LRXC 45	7	21	35	50	23	74	M4× 8	123	10	19	M5×10
LRX 45								163			
LRXG 45								203			
LRXC 55	7	27	40	60	26	88	M4× 8	145	24	24	M5×10
LRX 55								193			
LRXG 55								247			
LRXC 65	8.7	37	47.5	75	31	108	M5×10	192	14	28	M6×12
LRX 65								256			
LRXG 65								320			
LRX 85	15	45	62.5	90	37.5	140	M6×10	334	14.5	38	M6×12
LRXG 85								406			

Note⁽¹⁾ : The values for a slide unit with female threads for bellows at both ends are shown.

C
 LRX, LRXD, LRXS

Table 7.3 Female threads for bellows for block type slide unit (Supplemental code /J, /JJ)
 Size : 15, 20, 25, 30



unit : mm

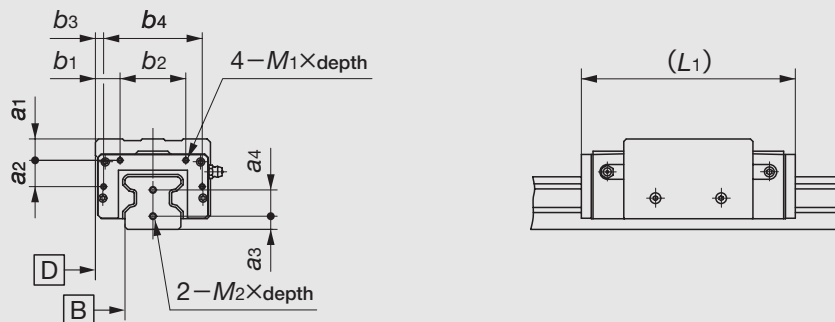
Model number	Slide unit					Track rail			
	a ₁	b ₁	b ₂	M ₁ ×depth	L ₁ ⁽²⁾	H ₃	a ₃	a ₄	M ₂ ×depth
LRXDC 15	14.5	4	26	M3×6	67	5	4	8	M3×6
LRXD 15					83				
LRXDG 15					99				
LRXDC 20	16	4	36		81	6	5	10	
LRXD 20					101				
LRXDG 20					121				
LRXDC 25	19.5	4	40		89	8	6	12	
LRXD 25					113				
LRXDG 25					128				
LRXDC 30	21.5	5	50	100	7.8	7	14		
LRXD 30				128					
LRXDG 30				149					

Note⁽¹⁾ : The specification and mounting position of grease nipple are different from those of the standard specification product. The grease nipple of the size 30 models is A-M4. For grease nipple specifications, see page 97.

⁽²⁾ : The values for a slide unit with female threads for bellows at both ends are shown.

Remark : The above table shows representative model numbers but is also applicable to stainless steel type models of the same size.

Table 7.4 Female threads for bellows for block type slide unit (Supplemental code /J, /JJ)
 Size : 35, 45, 55, 65



unit : mm

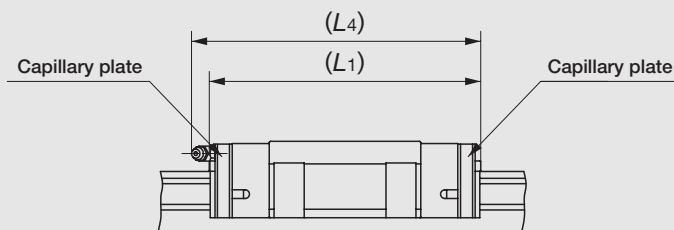
Model number	Slide unit							Track rail			
	a_1	a_2	b_1	b_2	b_3	b_4	$M_1 \times \text{depth}$	L_1 (1)	a_3	a_4	$M_2 \times \text{depth}$
LRXDC 35	13	16	15	40	5	60	$M_3 \times 6$	99	8	16	$M_4 \times 8$
LRXD 35								131			
LRXDG 35								159			
LRXDC 45	17	21	18	50	6	74	$M_4 \times 8$	123	10	19	$M_5 \times 10$
LRXD 45								163			
LRXDG 45								203			
LRXDC 55	17	27	20	60	6	88	$M_4 \times 8$	145	24		
LRXD 55								193			
LRXDG 55								247			
LRXDC 65	8.7	37	25.5	75	9	108	$M_5 \times 10$	192	14	28	$M_6 \times 12$
LRXD 65								256			
LRXDG 65								320			

Note(1) : The values for a slide unit with female threads for bellows at both ends are shown.



LRX, LRXD, LRXS

Table 8.1 Slide unit with capillary plates (Supplemental code /Q)
 Size : 12, 15, 20, 25, 30



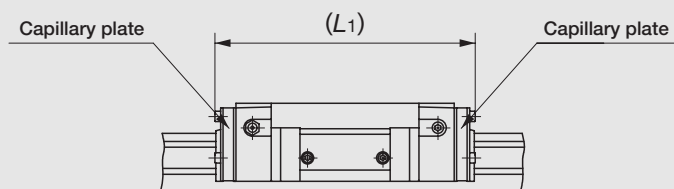
unit : mm

Model number	L1	L4
LRXC 12	47	50
LRX 12	57	60
LRXG 12	68	71
LRXC 15	63	64
LRX 15	79	80
LRXG 15	95	96
LRXC 20	76	85
LRX 20	96	105
LRXG 20	116	125

Model number	L1	L4
LRXC 25	85	94
LRX 25	109	118
LRXG 25	124	133
LRXC 30	96	108
LRX 30	124	136
LRXG 30	145	157

Remark : The above table shows representative model numbers but is applicable to all models of the same size.

Table 8.2 Slide unit with capillary plates (Supplemental code /Q)
 Size : 35, 45, 55, 65, 85



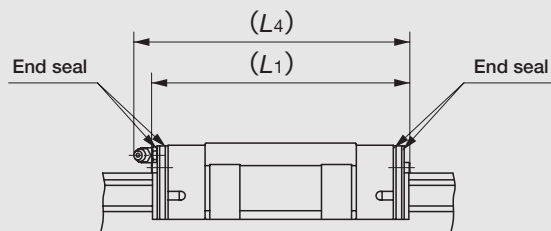
unit : mm

Model number	L1
LRXC 35	103
LRX 35	135
LRXG 35	163
LRXC 45	127
LRX 45	167
LRXG 45	207
LRXC 55	149
LRX 55	197
LRXG 55	251

Model number	L1
LRXC 65	198
LRX 65	262
LRXG 65	326
LRX 85	341
LRXG 85	413

Remark : The above table shows representative model numbers but is applicable to all models of the same size.

Table 9.1 Slide unit with double end seals (Supplemental code /V, /VV)
 Size : 12, 15, 20, 25, 30



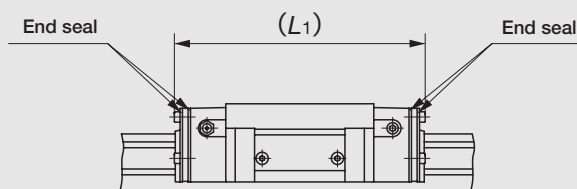
unit : mm

Model number	L1	L4
LRXC 12	44	46
LRX 12	54	57
LRXG 12	65	67
LRXC 15	58	60
LRX 15	74	76
LRXG 15	90	92
LRXC 20	73	83
LRX 20	93	103
LRXG 20	113	123

Model number	L1	L4
LRXC 25	83	92
LRX 25	107	116
LRXG 25	122	131
LRXC 30	93	106
LRX 30	121	134
LRXG 30	142	155

Remark 1 : The above table shows representative model numbers but is applicable to all models of the same size.
 2 : The values for a slide unit with double end seals at both ends are shown.

Table 9.2 Slide unit with double end seals (Supplemental code /V, /VV)
 Size : 35, 45, 55, 65, 85, 100



unit : mm

Model number	L1
LRXC 35	101
LRX 35	133
LRXG 35	161
LRXC 45	127
LRX 45	167
LRXG 45	207
LRXC 55	149
LRX 55	197
LRXG 55	251

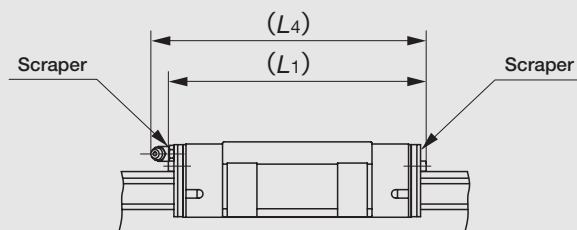
Model number	L1
LRXC 65	193
LRX 65	257
LRXG 65	321
LRX 85	338
LRXG 85	410
LRXG 100	376

Remark 1 : The above table shows representative model numbers but is applicable to all models of the same size.
 2 : The values for a slide unit with double end seals at both ends are shown.

C

LRX, LRXD, LRXS

Table 10.1 Slide unit with scrapers (Supplemental code /Z, /ZZ)
Size : 12, 15, 20, 25, 30



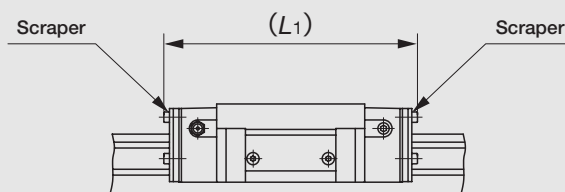
unit : mm

Model number	L1	L4
LRXC 12	45	48
LRX 12	56	58
LRXG 12	66	69
LRXC 15	60	61
LRX 15	76	77
LRXG 15	92	93
LRXC 20	75	84
LRX 20	95	104
LRXG 20	115	124

Model number	L1	L4
LRXC 25	85	93
LRX 25	109	117
LRXG 25	124	132
LRXC 30	96	107
LRX 30	124	135
LRXG 30	145	156

Remark 1 : The above table shows representative model numbers but is applicable to all models of the same size.
2 : The values for a slide unit with scrapers at both ends are shown.

Table 10.2 Slide unit with scrapers (Supplemental code /Z, /ZZ)
Size : 35, 45, 55, 65, 85, 100



unit : mm

Model number	L1
LRXC 35	103
LRX 35	135
LRXG 35	163
LRXC 45	129
LRX 45	169
LRXG 45	209
LRXC 55	151
LRX 55	199
LRXG 55	253

Model number	L1
LRXC 65	194
LRX 65	258
LRXG 65	322
LRX 85	339
LRXG 85	411
LRXG 100	378

Remark 1 : The above table shows representative model numbers but is applicable to all models of the same size.
2 : The values for a slide unit with scrapers at both ends are shown.

● Mounting slide unit of Compact block type

For mounting slide unit of Compact block type, insertion depth shown in Table11 is recommended to keep certain fixing strength.

Table 11 Insertion depths for mounting Compact block type slide unit

unit : mm

Model number	Recommended screw-in depths
LRXS 15	4.5
LRXS 20	5.5
LRXS 25	7
LRXS 30	9

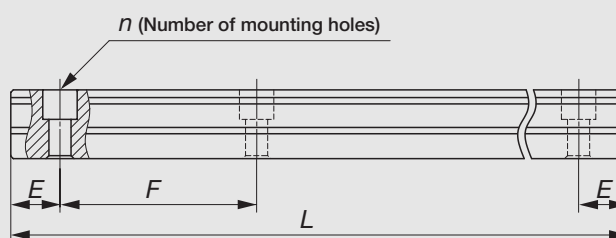
Remark : The table shows representative model number but is applicable to all models of the same size.

Track rail length

Standard and maximum lengths of track rails are shown in Tables 12.1 and 12.2. Track rails in any length are also available. Simply indicate the necessary length of track rail in mm in the identification number. For the tolerances of E dimension and track rail length, consult **IKO** for further information.

- For non-interchangeable track rails longer than the maximum length shown in Tables 12.1 and 12.2, butt-jointing track rails are available upon request. In this case, indicate "/A" in the identification number.
- E dimensions at both ends are the same and are within the standard range of E unless otherwise specified. To change these dimensions, specify the specified rail mounting hole positions " E " of special specification. For details, see page 89.

Table 12.1 Standard and maximum lengths of high carbon steel track rails



unit : mm

Model number	LRX 12	LRX 15	LRX 20	LRX 25	LRX 30	LRX 35
Item						
Standard length $L(n)$	80(2)	180(3)	240(4)	240(4)	480(6)	480(6)
	160(4)	240(4)	480(8)	480(8)	640(8)	640(8)
	240(6)	360(6)	660(11)	660(11)	800(10)	800(10)
	320(8)	480(8)	840(14)	840(14)	1 040(13)	1 040(13)
	400(10)	660(11)	1 020(17)	1 020(17)	1 200(15)	1 200(15)
	480(12)		1 200(20)	1 200(20)	1 520(19)	1 520(19)
	560(14)		1 500(25)	1 500(25)		
	640(16)					
720(18)						
Pitch of mounting holes F	40	60	60	60	80	80
E	20	30	30	30	40	40
Standard range of E ⁽¹⁾	incl.	5.5	7	8	9	10
	under	25.5	37	38	39	50
Maximum length ⁽²⁾	1 480	1 500 (1 980)	1 980 (3 000)	3 000	2 960 (4 000)	2 960 (4 000)
Model number	LRX 45	LRX 55	LRX 65	LRX 85	LRXG 100	
Item						
Standard length $L(n)$	840(8)	840(7)	1 500(10)	1 620(9)	1 500(10)	
	1 050(10)	1 200(10)	1 950(13)	1 980(11)	1 950(13)	
	1 260(12)	1 560(13)	3 000(20)	2 340(13)	3 000(20)	
	1 470(14)	1 920(16)		2 700(15)		
	1 995(19)	3 000(25)				
Pitch of mounting holes F	105	120	150	180	150	
E	52.5	60	75	90	75	
Standard range of E ⁽¹⁾	incl.	12.5	15	17	23	29
	under	65	75	92	113	104
Maximum length ⁽²⁾	2 940 (3 990)	3 000 (3 960)	3 000 (3 900)	2 880 ⁽³⁾	3 000	

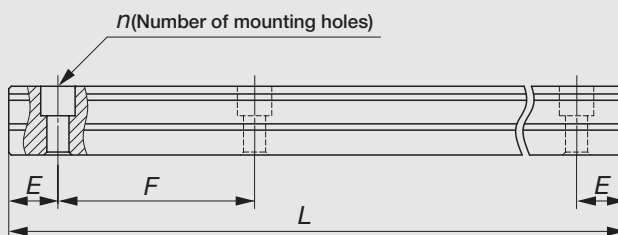
Note⁽¹⁾ : Not applicable to the track rail with female threads for bellows (supplemental code "/J").

⁽²⁾ : Track rails with the maximum lengths shown in parentheses can also be manufactured. Consult **IKO** for further information.

⁽³⁾ : For half pitch of track rail mounting holes (supplemental code "/HP"), the maximum length is 2970mm.

Remark : The above table shows representative model numbers but is applicable to all models of the same size.

Table 12.2 Standard and maximum lengths of stainless steel track rails



unit : mm

Item	Model number	LRXD 12...SL	LRXD 15...SL	LRXD 20...SL	LRXD 25...SL	LRXD 30...SL
Standard length $L(n)$		80(2)	180(3)	240(4)	240(4)	480(6)
		160(4)	240(4)	480(8)	480(8)	640(8)
		240(6)	360(6)	660(11)	660(11)	800(10)
		320(8)	480(8)	840(14)	840(14)	1 040(13)
		400(10)	660(11)			
		480(12)				
		560(14)				
		640(16)				
	720(18)					
Pitch of mounting holes F		40	60	60	60	80
E		20	30	30	30	40
Standard range of E ⁽¹⁾	incl.	5.5	7	8	9	10
	under	25.5	37	38	39	50
Maximum length ⁽²⁾		1 000	1 200	1 200	1 200	1 200
		(1 480)	(1 980)	(1 980)	(1 980)	(2 000)

Note(1) : Not applicable to the track rail with female threads for bellows (supplemental code "/J").

(2) : Track rails with the maximum lengths shown in parentheses can also be manufactured. Consult **IKD** for further information.

Remark : The above table shows representative model numbers but is applicable to all models of the same size.

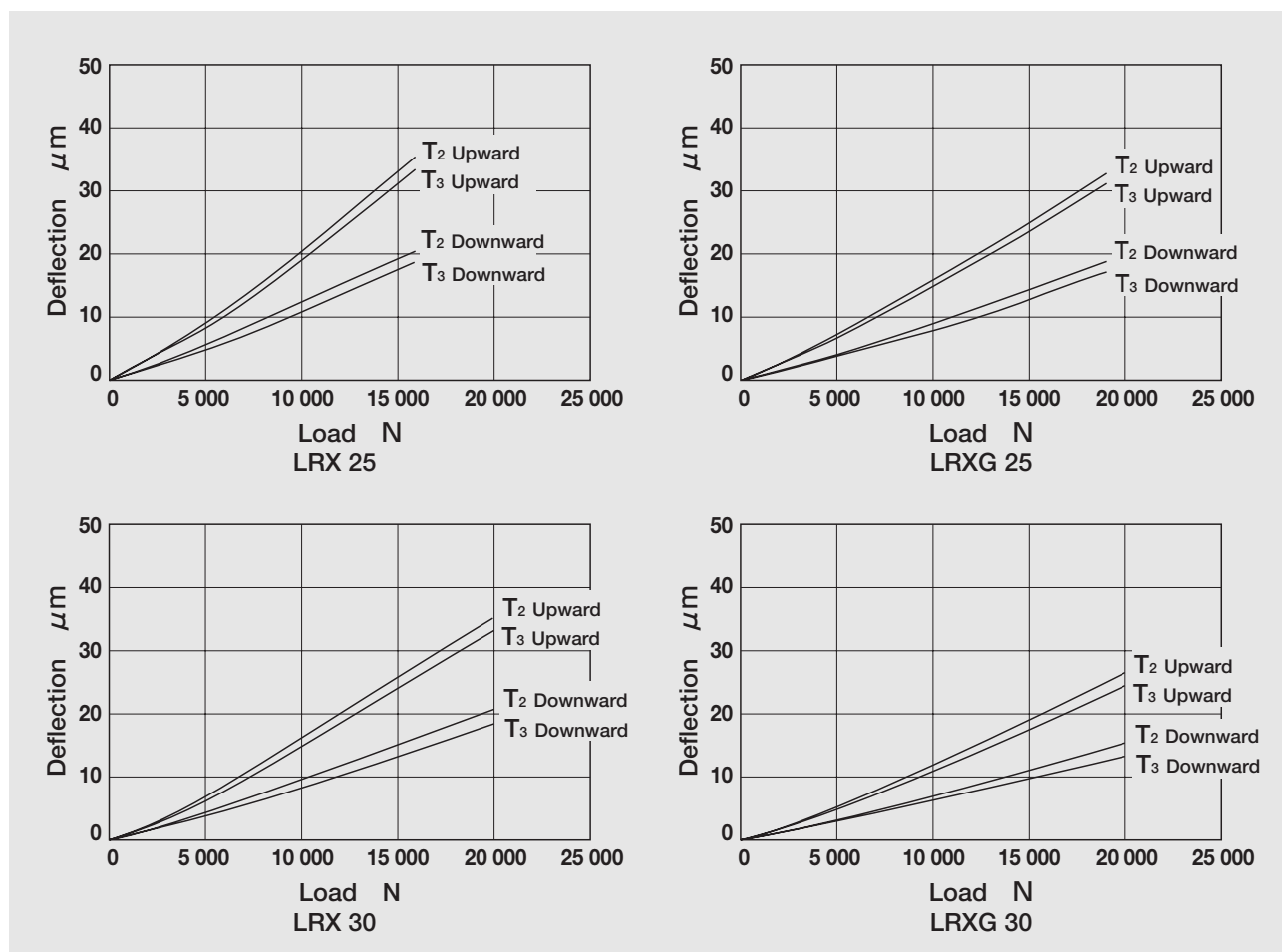
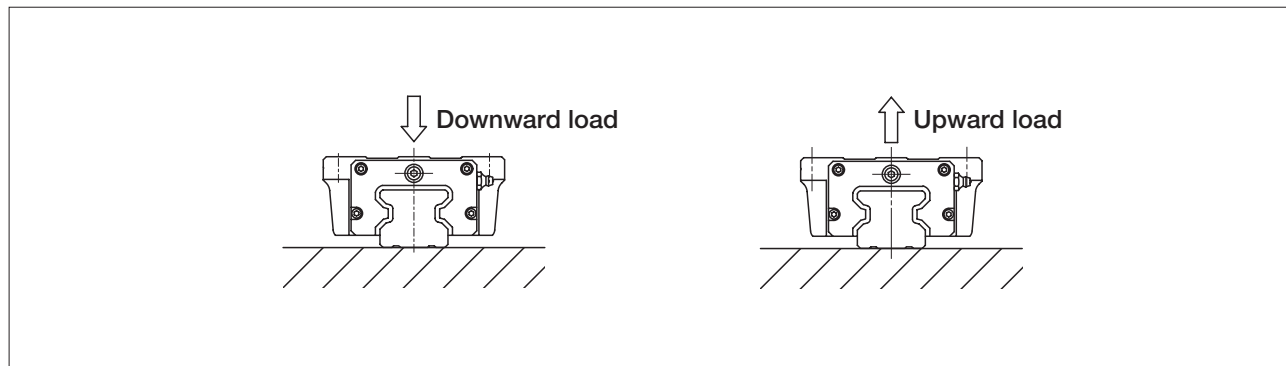


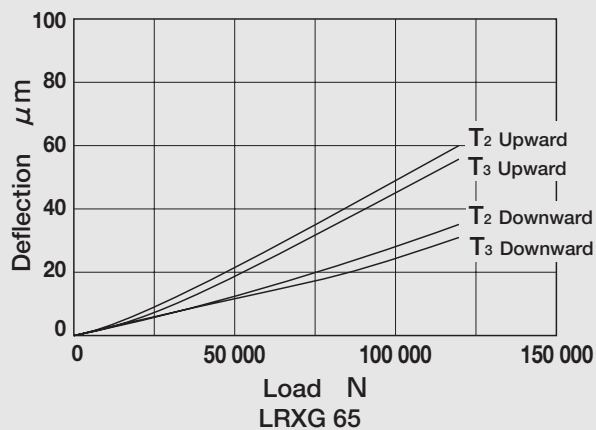
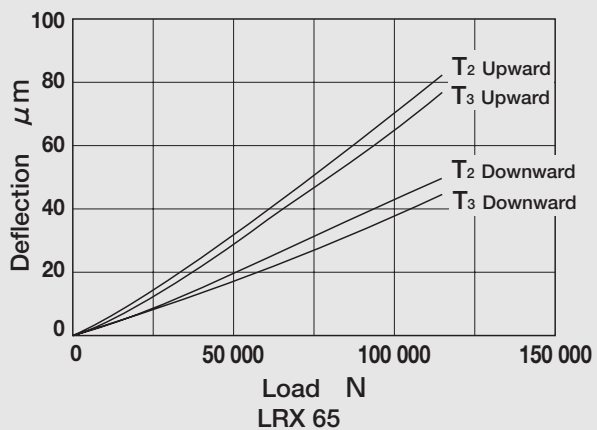
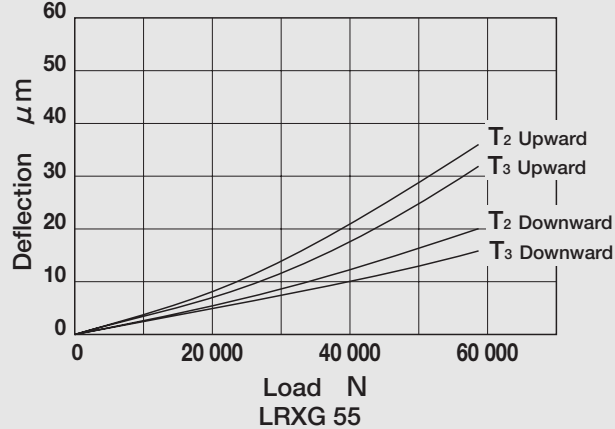
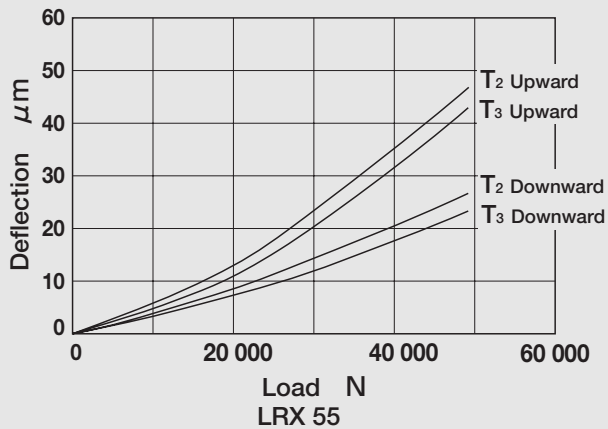
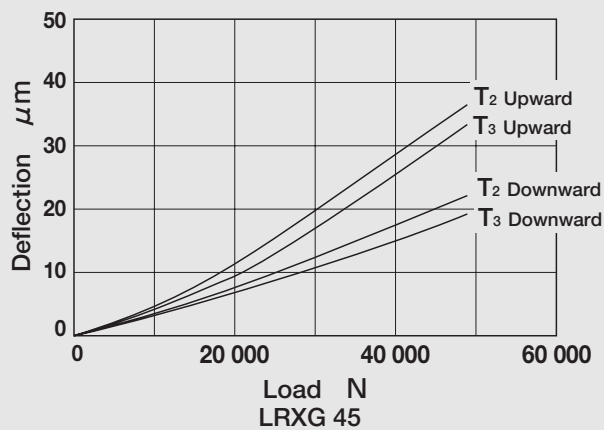
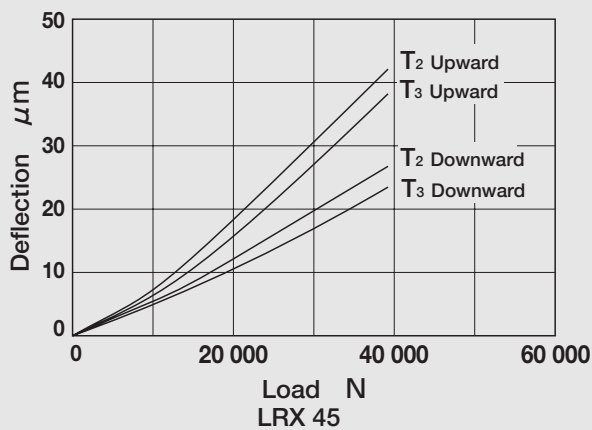
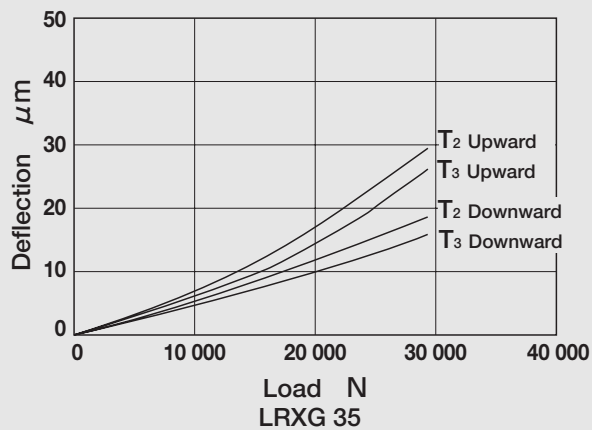
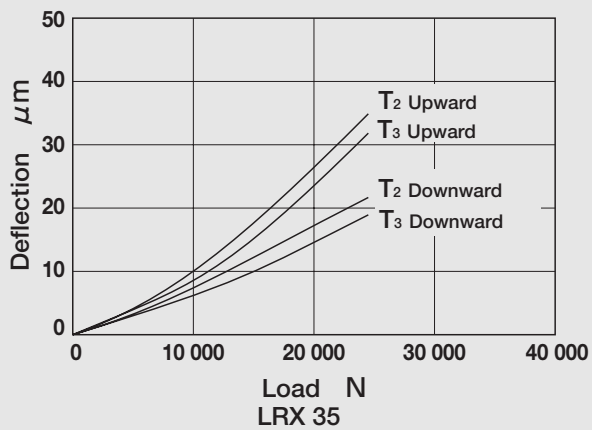
LRX, LRXD, LRXS

● Rigidity of Linear Roller Way Super X (Reference Values)

Linear Roller Way Super X has the highest rigidity among all the Linear Way and Linear Roller Way series. Deflection due to elastic deformations at the contact area of the rolling element and in the structural members under external load is very small.

Typical experimental data on the relations between the load and the deflection for various preload amounts and load directions are shown below as reference values.





C

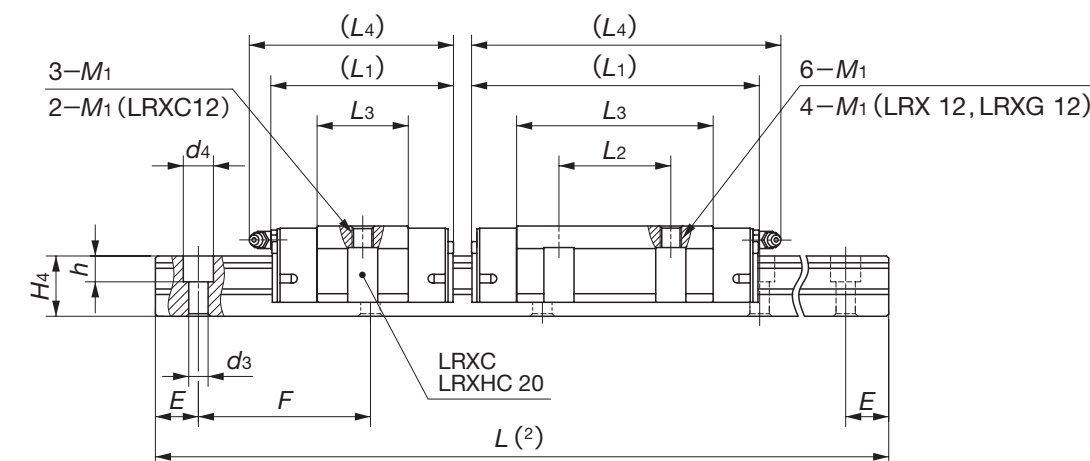
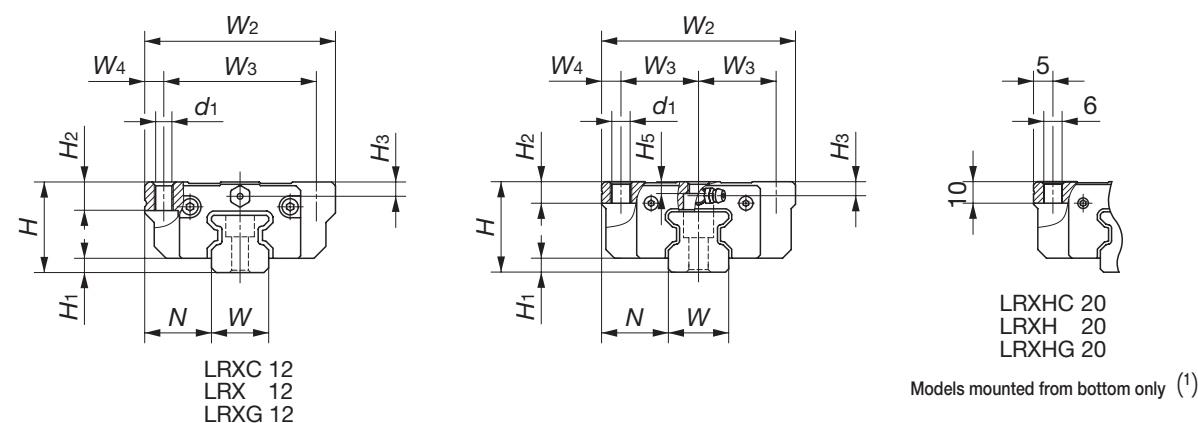
LRX, LRXD, LRXS

1N=0.102kgf=0.2248lbs.
1mm=0.03937inch

IKO Linear Roller Way Super X : Flange type



Flange type mounted from top/bottom
LRXC, LRX, LRXG



Model number	Interchangeable	Mass (Ref.)		Dimensions of assembly mm			Dimensions of slide unit mm									
		Slide unit kg	Track rail kg/m	H	H ₁	N	W ₂	W ₃	W ₄	L ₁	L ₂	L ₃	L ₄	d ₁	M ₁	H ₂
LRXC 12	☆	0.058	0.92	19	3	14	40	32	4	37	—	14.8	40	3.4	M 4	6
LRX 12	☆	0.092								47	15	25.3	50			
LRXG 12	☆	0.13								58	35.8	61				
LRXC 15	☆	0.13	1.65	24	4	16	47	19	4.5	52	—	24	55	4.4	M 5	7
LRX 15	☆	0.20								68	30	40	71			
LRXG 15	☆	0.28								84	56	87				
LRXC 20 (1)	☆	0.29	2.73	30	5	21.5	63	26.5	5	66	—	31.6	74	(1)	(1)	10
LRX 20 (1)	☆	0.44								86	40	51.6	94			
LRXG 20 (1)	☆	0.61								106	71.6	114				
LRXC 25	☆	0.44	3.59	36	6	23.5	70	28.5	6.5	74	—	36	83	7	M 8	10
LRX 25	☆	0.67								98	45	60	107			
LRXG 25	☆	0.84								113	75	122				
LRXC 30	☆	0.78	5.01	42	6.5	31	90	36	9	85	—	42.4	95	8.5	M10	10
LRX 30	☆	1.20								113	52	70.4	123			
LRXG 30	☆	1.58								134	91.4	144				

Note(1): LRXC20, LRX20 and LRXG20 can be mounted from the upper side only. For mounting from the lower side, LRXHC20, LRXH20 and LRXHG20 which have the same dimensions as those of the above models can be used.

(2): Track rail lengths are shown in Table 12.1 on page C-18.

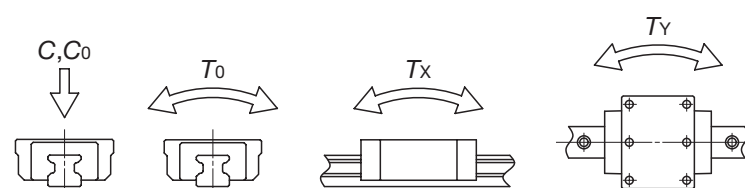
(3): The directions of basic dynamic load rating (C), basic static load rating (C₀) and static moment rating (T₀, T_x, T_y) are shown in the sketches below. The upper values in the T_x and T_y columns apply to one slide unit, and the lower values apply to two slide units in close contact.

Remark 1: The mark ☆ indicates that interchangeable specification products are available.

2: The appended track rail mounting bolts are hexagon socket head bolts of JIS B 1176 or equivalent.

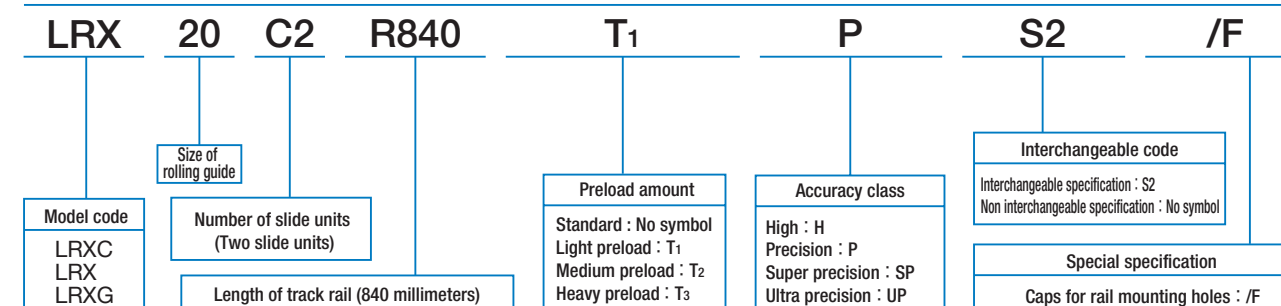
3: For grease nipple specifications, see page 97.

4: A grease nipple mounting thread hole is provided on the left and right end plates respectively.



H ₃	H ₅	Dimensions of track rail mm							Mounting bolt for track rail mm Bolt size × length	Basic dynamic load rating ⁽³⁾ C N	Basic static load rating ⁽³⁾ C ₀ N	Static moment rating ⁽³⁾		
		W	H ₄	d ₃	d ₄	h	E	F				T ₀ N·m	T _x N·m	T _y N·m
3	—	12	12	3.5	6	4.5	20	40	M3×12	3 900	6 090	46.3	16.3	16.3
												78.7	45.2	45.2
												111	88.6	88.6
3.5	3	15	16.5	4.5	8	6	30	60	M4×16	7 730	12 000	113	50.6	50.6
												188	136	136
												263	262	262
4	3.5	20	21	6	9.5	8.5	30	60	M5×20	16 100	26 400	341	150	150
												550	379	379
												760	4 200	4 200
5	5	23	24.5	7	11	9	30	60	M6×25	21 600	33 800	500	213	213
												833	573	573
												1 040	885	885
6.5	5.5	28	28	9	14	12	40	80	M8×28	29 200	44 600	808	329	329
												1 350	883	883
												1 750	1 470	1 470

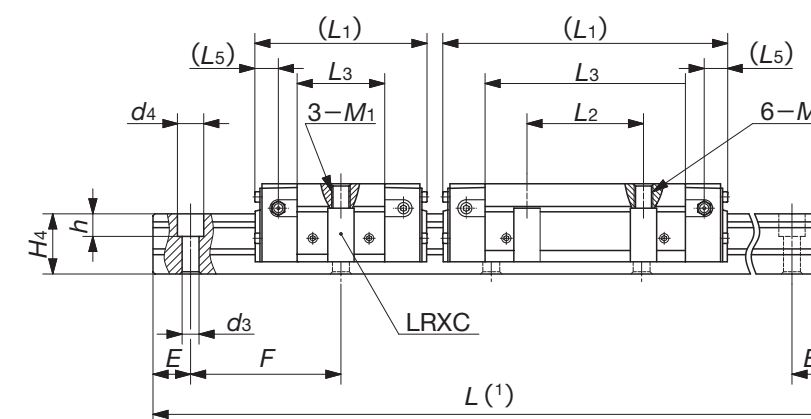
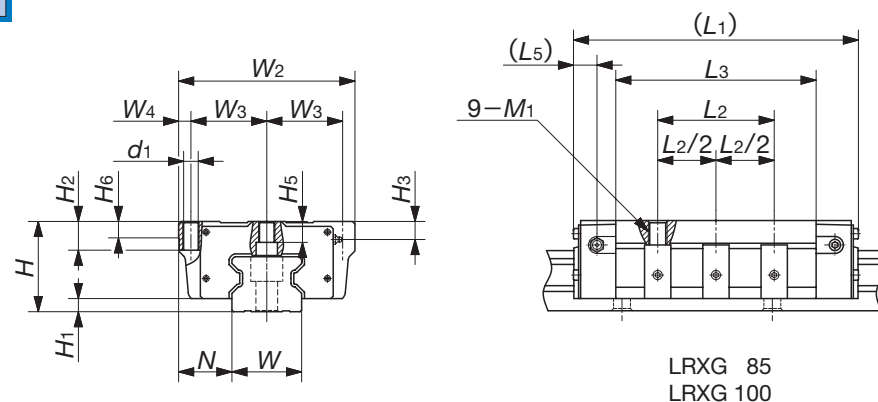
Example of identification number of assembled set (For details, see "Identification number and specification".)



IKO Linear Roller Way Super X : Flange type



Flange type mounted from top/bottom
LRXC, LRX, LRXG



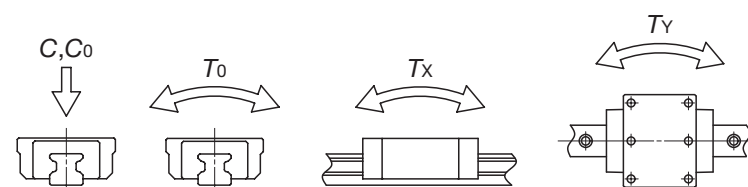
Model number	Interchangeable	Mass (Ref.)		Dimensions of assembly mm			Dimensions of slide unit mm										
		Slide unit kg	Track rail kg/m	H	H ₁	N	W ₂	W ₃	W ₄	L ₁	L ₂	L ₃	L ₅	d ₁	M ₁	H ₂	H ₃
LRXC 35	☆	1.13	6.88	48	6.5	33	100	41	9	92	—	46.6	12.5	8.5	M10	13	13
LRX 35	☆	1.76								124	62	78.6					
LRXG 35	☆	2.41								152	106.6						
LRXC 45	☆	2.11	10.8	60	8	37.5	120	50	10	114	—	59	17.5	10.5	M12	15	16
LRX 45	☆	3.26								154	80	99					
LRXG 45	☆	4.60								194	139						
LRXC 55	☆	3.49	14.1	70	9	43.5	140	58	12	136	—	72	20	12.5	M14	17	16
LRX 55	☆	5.42								184	95	120					
LRXG 55	☆	7.93								238	174						
LRXC 65	☆	7.18	22.6	90	12	53.5	170	71	14	181	—	95	26.6	14.5	M16	23	18
LRX 65	☆	11.5								245	110	159					
LRXG 65	☆	16.0								309	223						
LRX 85		25.4	36.7	110	16	65	215	92.5	15	323	140	232	27.5	17.8	M20	35	22
LRXG 85		32.7								395	200	304					
LRXG 100		43.0	43.2	120	15	75	250	110	15	362	200	262	29.7	17.8	M20	35	30

H ₅	H ₆	Dimensions of track rail mm							Mounting bolt for track rail mm Bolt size × length	Basic dynamic load rating ⁽²⁾ C N	Basic static load rating ⁽²⁾ C ₀ N	Static moment rating ⁽²⁾		
		W	H ₄	d ₃	d ₄	h	E	F				T ₀ N·m	T _x N·m	T _y N·m
7	—	34	32	9	14	12	40	80	M 8×35	39 500	60 000	1 300	506	506
										58 700	100 000	2 170	1 360	1 360
										74 200	135 000	2 930	2 440	2 440
11	—	45	38	14	20	17	52.5	105	M12×40	64 100	95 600	2 660	1 010	1 010
										95 400	159 000	4 430	2 700	2 700
										124 000	223 000	6 200	5 220	5 220
14	—	53	43	16	23	20	60	120	M14×45	99 700	149 000	4 830	1 880	1 880
										148 000	248 000	8 040	5 040	5 040
										198 000	359 000	11 700	10 400	10 400
18.5	—	63	56	18	26	22	75	150	M16×60	174 000	249 000	9 790	4 200	4 200
										260 000	415 000	16 300	11 300	11 300
										337 000	581 000	22 800	21 800	21 800
25.5	20	85	67	26.5	39	30	90	180	M24×70	440 000	753 000	38 900	29 500	29 500
										542 000	985 000	50 800	163 000	163 000
													50 000	50 000
30.5	—	100	70	33	48	36	75	150	M30×80	498 000	821 000	49 700	35 800	35 800
													199 000	199 000

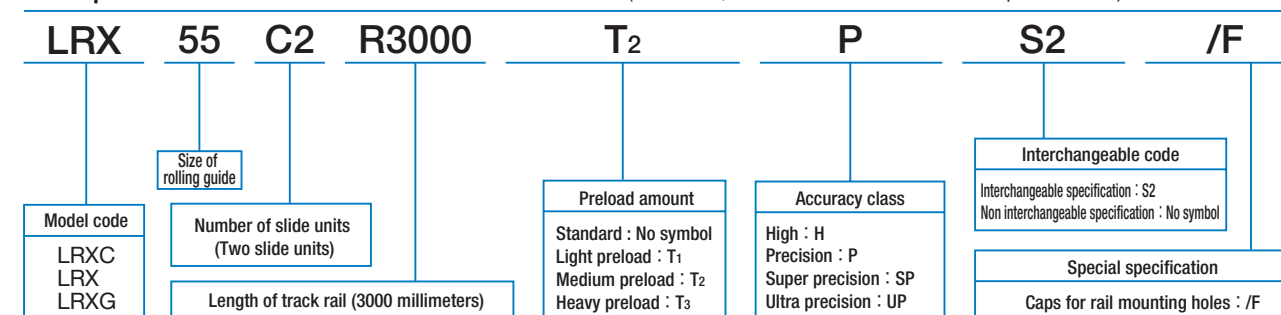
Note(1): Track rail lengths are shown in Table 12.1 on page C-18.

(2): The directions of basic dynamic load rating (C), basic static load rating (C₀) and static moment rating (T₀, T_x, T_y) are shown in the sketches below. The upper values in the T_x and T_y columns apply to one slide unit, and the lower values apply to two slide units in close contact.

- Remark 1: The mark ☆ indicates that interchangeable specification products are available.
 2: The appended track rail mounting bolts are hexagon socket head bolts of JIS B 1176 or equivalent.
 3: For grease nipple specifications, see page 97.
 4: Three grease nipple mounting thread holes are provided on the left and right end plates respectively.



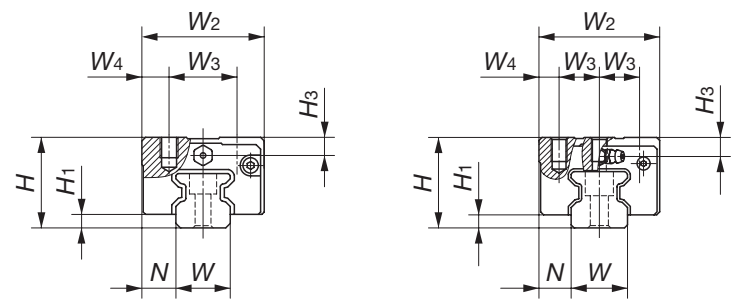
Example of identification number of assembled set (For details, see "Identification number and specification".)



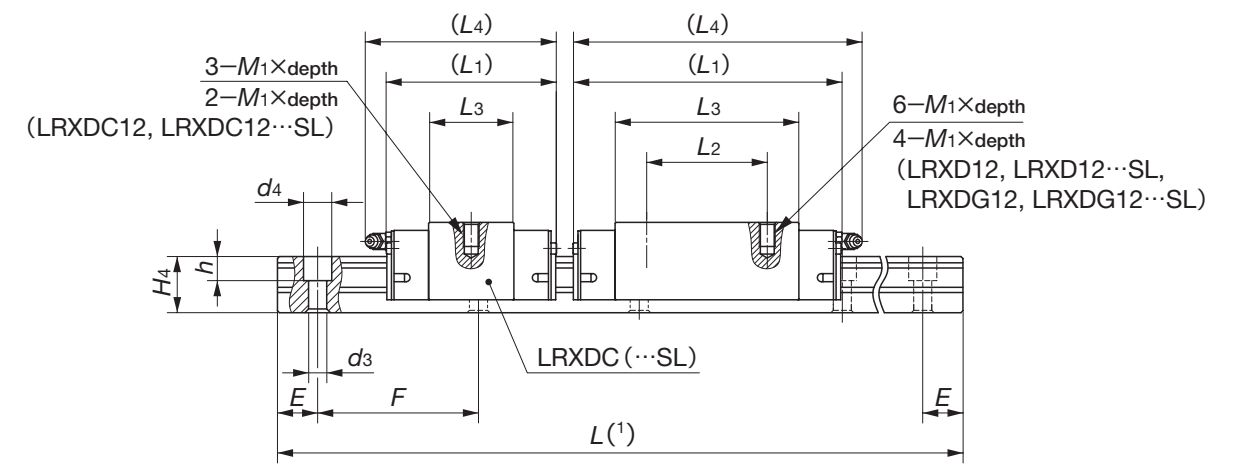
IKO Linear Roller Way Super X : Block type



Block type mounted from top
LRXDC
LRXD
LRXDG
LRXDC...SL (Stainless steel made)
LRXD ...SL (Stainless steel made)
LRXDG...SL (Stainless steel made)

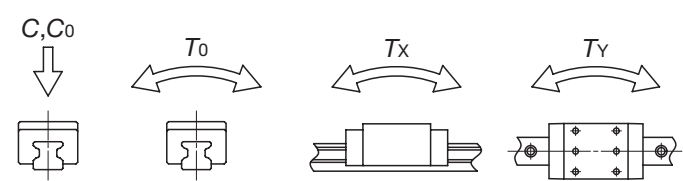


LRXDC 12
 LRXD 12
 LRXDG 12



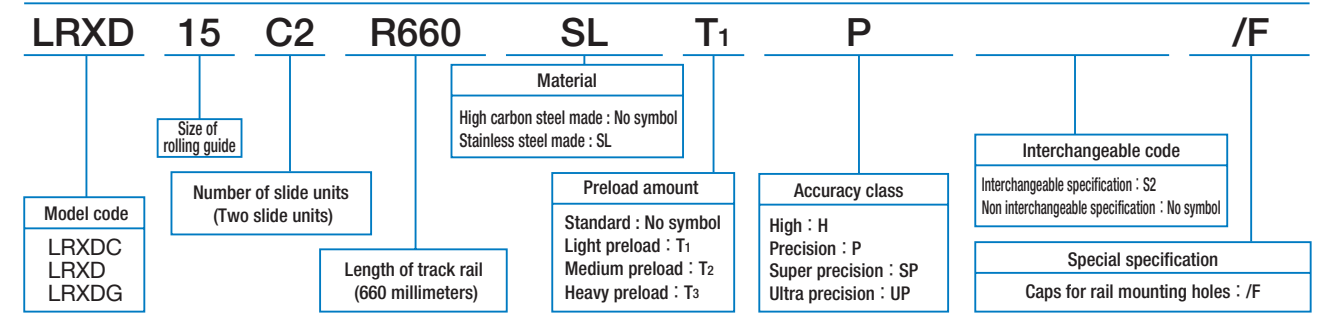
Model number	Interchangeable	Mass (Ref.)		Dimensions of assembly mm			Dimensions of slide unit mm								
		Slide unit kg	Track rail kg/m	H	H ₁	N	W ₂	W ₃	W ₄	L ₁	L ₂	L ₃	L ₄	M ₁ × depth	H ₃
LRXDC 12	☆	0.045	0.92	20	3	7.5	27	15	6	37	—	14.8	40	M4 × 4.5	4
LRXDC 12...SL	☆									47	15	25.3	50		
LRXD 12	☆	0.072	0.92	20	3	7.5	27	15	6	58	—	35.8	61	M4 × 4.5	4
LRXD 12...SL	☆									47	15	25.3	50		
LRXDG 12	☆	0.097	0.92	20	3	7.5	27	15	6	52	—	24	55	M4 × 4.5	4
LRXDG 12...SL	☆									47	15	25.3	50		
LRXDC 15	☆	0.13	1.65	28	4	9.5	34	13	4	68	—	40	71	M4 × 8	7.5
LRXDC 15...SL	☆									26	56	87			
LRXD 15	☆	0.19	1.65	28	4	9.5	34	13	4	84	—	56	87	M4 × 8	7.5
LRXD 15...SL	☆									26	56	87			
LRXDG 15	☆	0.26	1.65	28	4	9.5	34	13	4	84	—	56	87	M4 × 8	7.5
LRXDG 15...SL	☆									26	56	87			

Note(1) : Track rail lengths are shown in Table 12.1 on page C-18 and Table 12.2 on page C-19.
 (2) : The directions of basic dynamic load rating (C), basic static load rating (C₀) and static moment rating (T₀, T_x, T_y) are shown in the sketches below. The upper values in the T_x and T_y columns apply to one slide unit, and the lower values apply to two slide units in close contact.
 Remark 1 : The mark ☆ indicates that interchangeable specification products are available.
 2 : The appended track rail mounting bolts are hexagon socket head bolts of JIS B 1176 or equivalent. For stainless steel type Linear Roller Way Super X, stainless steel bolts are appended.
 3 : For grease nipple specifications, see page 97.
 4 : A grease nipple mounting thread hole is provided on the left and right end plates respectively.



Dimensions of track rail mm							Mounting bolt for track rail mm Bolt size × length	Basic dynamic load rating ⁽²⁾ C N	Basic static load rating ⁽²⁾ C ₀ N	Static moment rating ⁽²⁾		
W	H ₄	d ₃	d ₄	h	E	F				T ₀ N·m	T _x N·m	T _y N·m
12	12	3.5	6	4.5	20	40	M3 × 12	3 900	6 090	46.3	16.3 170	16.3 170
15	16.5	4.5	8	6	30	60	M4 × 16	5 890	10 400	78.7	45.2 343	45.2 343
								7 710	14 600	111	88.6 581	88.6 581
15	16.5	4.5	8	6	30	60	M4 × 16	7 730	12 000	113	50.6 457	50.6 457
								11 500	20 000	188	136 942	136 942
15	16.5	4.5	8	6	30	60	M4 × 16	14 900	28 000	263	262 1 590	262 1 590
								14 900	28 000	263	262 1 590	262 1 590

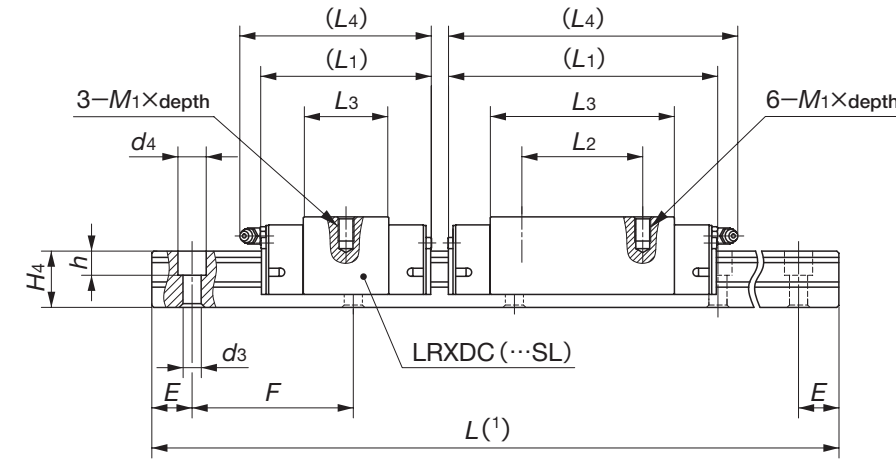
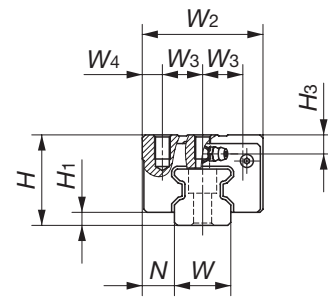
Example of identification number of assembled set (For details, see "Identification number and specification".)



IKO Linear Roller Way Super X : Block type

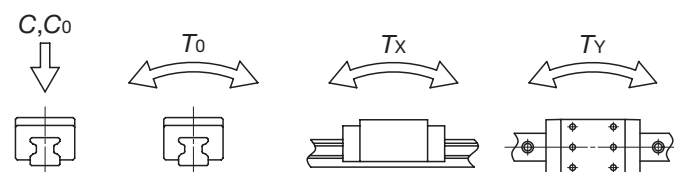


Block type mounted from top
LRXDC
LRXD
LRXDG
LRXDC...SL (Stainless steel made)
LRXD ...SL (Stainless steel made)
LRXDG...SL (Stainless steel made)



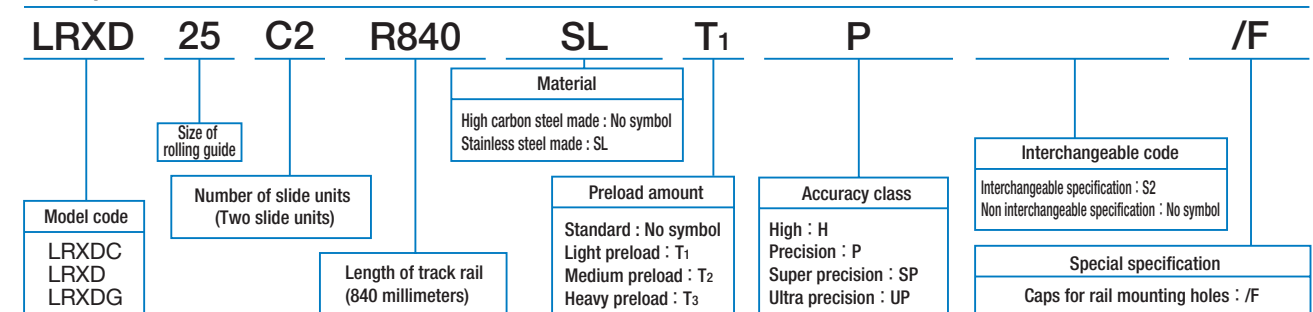
Model number	Interchangeable	Mass (Ref.)		Dimensions of assembly mm			Dimensions of slide unit mm								
		Slide unit kg	Track rail kg/m	H	H1	N	W2	W3	W4	L1	L2	L3	L4	M1×depth	H3
LRXDC 20	☆	0.25	2.73	34	5	12	44	16	6	66	—	31.6	74	M5×8	8
LRXDC 20...SL	☆									86	36	51.6	94		
LRXD 20	☆									106	50	71.6	114		
LRXD 20...SL	☆	0.38	2.73	34	5	12	44	16	6	86	36	51.6	94	M5×8	8
LRXDG 20	☆	0.52	2.73	34	5	12	44	16	6	106	50	71.6	114	M5×8	8
LRXDC 20...SL	☆									86	36	51.6	94		
LRXD 20	☆									106	50	71.6	114		
LRXDC 25	☆	0.36	3.59	40	6	12.5	48	17.5	6.5	74	—	36	83	M6×12	9
LRXDC 25...SL	☆									98	35	60	107		
LRXD 25	☆									113	50	75	122		
LRXD 25...SL	☆	0.55	3.59	40	6	12.5	48	17.5	6.5	98	35	60	107	M6×12	9
LRXDG 25	☆	0.68	3.59	40	6	12.5	48	17.5	6.5	113	50	75	122	M6×12	9
LRXDC 25...SL	☆									98	35	60	107		
LRXD 25	☆									113	50	75	122		
LRXDC 30	☆	0.60	5.01	45	6.5	16	60	20	10	85	—	42.4	95	M8×12	9.5
LRXDC 30...SL	☆									113	40	70.4	123		
LRXD 30	☆									134	60	91.4	144		
LRXD 30...SL	☆	0.92	5.01	45	6.5	16	60	20	10	113	40	70.4	123	M8×12	9.5
LRXDG 30	☆	1.18	5.01	45	6.5	16	60	20	10	134	60	91.4	144	M8×12	9.5
LRXDC 30...SL	☆									113	40	70.4	123		

Note⁽¹⁾ : Track rail lengths are shown in Table 12.1 on page C-18 and Table 12.2 on page C-19.
 Note⁽²⁾ : The directions of basic dynamic load rating (C), basic static load rating (C₀) and static moment rating (T₀, T_X, T_Y) are shown in the sketches below. The upper values in the T_X and T_Y columns apply to one slide unit, and the lower values apply to two slide units in close contact.
 Remark 1 : The mark ☆ indicates that interchangeable specification products are available.
 2 : The appended track rail mounting bolts are hexagon socket head bolts of JIS B 1176 or equivalent. For stainless steel type Linear Roller Way Super X, stainless steel bolts are appended.
 3 : For grease nipple specifications, see page 97.
 4 : A grease nipple mounting thread hole is provided on the left and right end plates respectively.



Dimensions of track rail mm							Mounting bolt for track rail mm Bolt size × length	Basic dynamic load rating ⁽²⁾ C N	Basic static load rating ⁽²⁾ C ₀ N	Static moment rating ⁽²⁾		
W	H ₄	d ₃	d ₄	h	E	F				T ₀ N·m	T _X N·m	T _Y N·m
20	21	6	9.5	8.5	30	60	M5×20	16 100	26 400	341	150 1 260	150 1 260
								23 400	42 700	550	379 2 520	379 2 520
								30 100	58 900	760	713 4 200	713 4 200
23	24.5	7	11	9	30	60	M6×25	21 600	33 800	500	213 1 810	213 1 810
								32 100	56 300	833	573 3 800	573 3 800
								38 200	70 300	1 040	885 5 380	885 5 380
28	28	9	14	12	40	80	M8×28	29 200	44 600	808	329 2 740	329 2 740
								43 400	74 400	1 350	883 5 780	883 5 780
								53 200	96 700	1 750	1 470 8 740	1 470 8 740

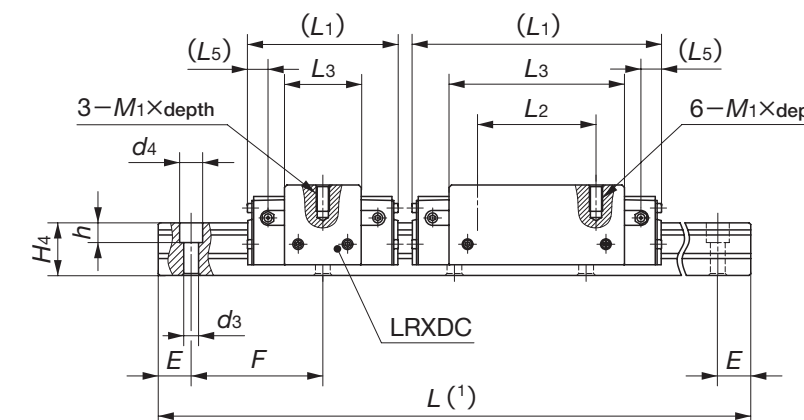
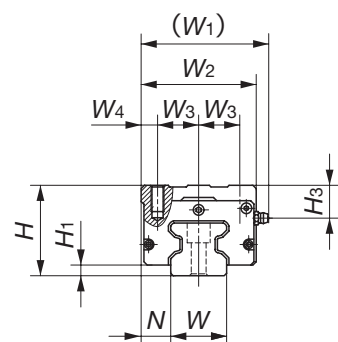
Example of identification number of assembled set (For details, see "Identification number and specification".)



IKO Linear Roller Way Super X : Block type



Block type mounted from the upper side
LRXDC, LRXD, LRXDG



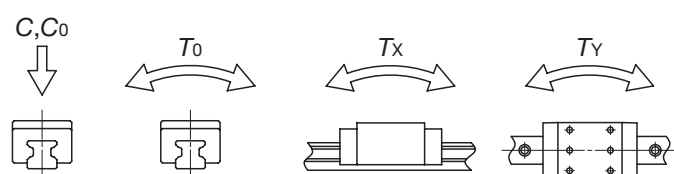
Model number	Interchangeable	Mass (Ref.)		Dimensions of assembly mm			Dimensions of slide unit mm								
		Slide unit kg	Track rail kg/m	H	H ₁	N	W ₁	W ₂	W ₃	W ₄	L ₁	L ₂	L ₃	L ₅	M ₁ ×depth
LRXDC 35	☆	0.97	6.88	55	6.5	18	80	70	25	10	92	—	46.6	12.5	M 8×16
LRXD 35	☆	1.52									124	50	78.6		
LRXDG 35	☆	2.02									152	72	106.6		
LRXDC 45	☆	2.01	10.8	70	8	20.5	98	86	30	13	114	—	59	17.5	M10×20
LRXD 45	☆	3.13									154	60	99		
LRXDG 45	☆	4.29									194	80	139		
LRXDC 55	☆	3.17	14.1	80	9	23.5	112	100	37.5	12.5	136	—	72	20	M12×25
LRXD 55	☆	4.97									184	75	120		
LRXDG 55	☆	7.06									238	95	174		
LRXDC 65	☆	5.52	22.6	90	12	31.5	136	126	38	25	181	—	95	26.6	M16×25
LRXD 65	☆	8.70									245	70	159		
LRXDG 65	☆	12.1									309	120	223		

Note⁽¹⁾ : Track rail lengths are shown in Table 12.1 on page C-18.

⁽²⁾ : The directions of basic dynamic load rating (C), basic static load rating (C₀) and static moment rating (T₀, T_x, T_y) are shown in the sketches below. The upper values in the T_x and T_y columns apply to one slide unit, and the lower values apply to two slide units in close contact.

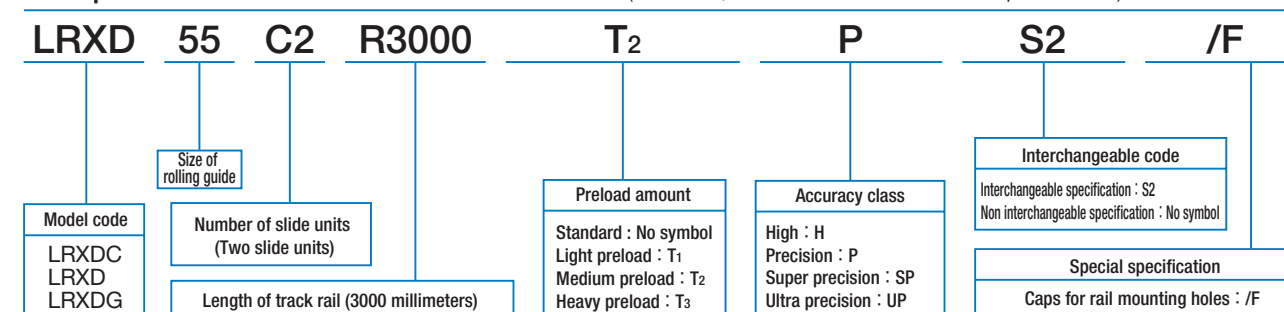
Remark 1 : The mark ☆ indicates that interchangeable specification products are available.

- 2 : The appended track rail mounting bolts are hexagon socket head bolts of JIS B 1176 or equivalent.
- 3 : For grease nipple specifications, see page 97.
- 4 : Three grease nipple mounting thread holes are provided on the left and right end plates respectively.



H ₃	Dimensions of track rail mm							Mounting bolt for track rail mm Bolt size × length	Basic dynamic load rating ⁽²⁾ C N	Basic static load rating ⁽²⁾ C ₀ N	Static moment rating ⁽²⁾		
	W	H ₄	d ₃	d ₄	h	E	F				T ₀ N·m	T _x N·m	T _y N·m
20	34	32	9	14	12	40	80	M 8×35	39 500	60 000	1 300	506	506
									58 700	100 000	2 170	1 360	1 360
									74 200	135 000	2 930	2 440	2 440
26	45	38	14	20	17	52.5	105	M12×40	64 100	95 600	2 660	1 010	1 010
									95 400	159 000	4 430	2 700	2 700
									124 000	223 000	6 200	5 220	5 220
26	53	43	16	23	20	60	120	M14×45	99 700	149 000	4 830	1 880	1 880
									148 000	248 000	8 040	5 040	5 040
									198 000	359 000	11 700	31 100	31 100
18	63	56	18	26	22	75	150	M16×60	174 000	249 000	9 790	4 200	4 200
									260 000	415 000	16 300	11 300	11 300
									337 000	581 000	22 800	21 800	21 800

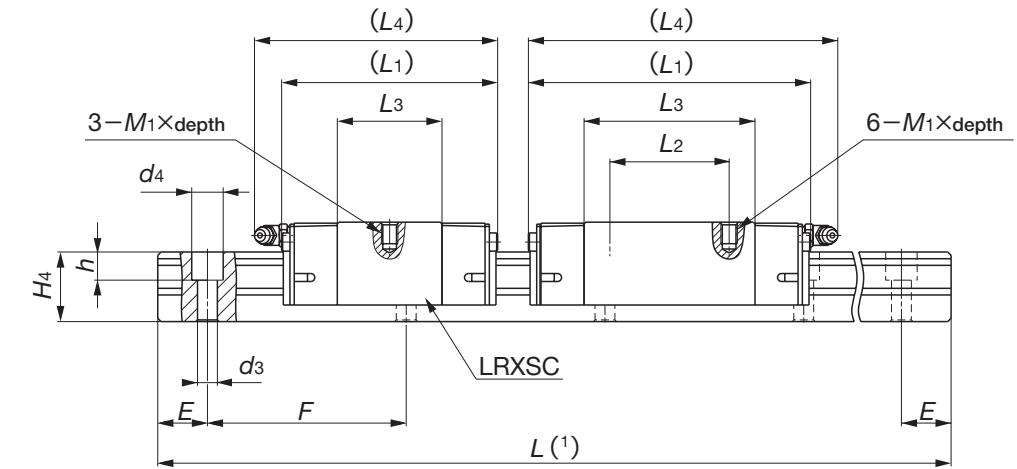
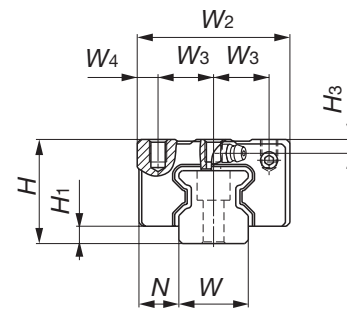
Example of identification number of assembled set (For details, see "Identification number and specification".)



IKO Linear Roller Way Super X : Compact block type



Compact block type mounted from top
LRXSC, LRXS, LRXSG



Model number	Interchangeable	Mass (Ref.)		Dimensions of assembly mm			Dimensions of slide unit mm							
		Slide unit kg	Track rail kg/m	H	H ₁	N	W ₂	W ₃	W ₄	L ₁	L ₂	L ₃	L ₄	M ₁ ×depth ⁽²⁾
LRXSC 15	☆	0.099	1.65	24	4	9.5	34	13	4	52	—	24	55	M4× 5.5
LRXS 15	☆	0.15								68	26	40	71	
LRXSG 15	☆	0.21								84	—	56	87	
LRXSC 20	☆	0.21	2.73	30	5	12	44	16	6	66	—	31.6	74	M5× 6.5
LRXS 20	☆	0.31								86	36	51.6	94	
LRXSG 20	☆	0.42								106	50	71.6	114	
LRXSC 25	☆	0.30	3.59	36	6	12.5	48	17.5	6.5	74	—	36	83	M6× 9
LRXS 25	☆	0.47								98	35	60	107	
LRXSG 25	☆	0.57								113	50	75	122	
LRXSC 30	☆	0.54	5.01	42	6.5	16	60	20	10	85	—	42.4	95	M8× 11
LRXS 30	☆	0.83								113	40	70.4	123	
LRXSG 30	☆	1.05								134	60	91.4	144	

Note(1) : Track rail lengths are shown in Table 12.1 on page C-18.

(2) : Recommended screw-in depths for mounting slide unit are shown in Table 11 on page C-17.

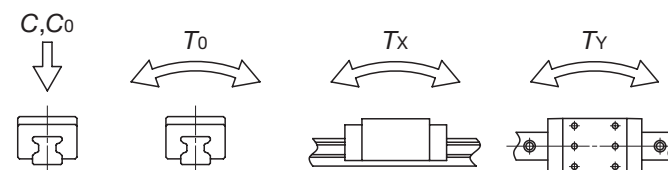
(3) : The directions of basic dynamic load rating (C), basic static load rating (C₀) and static moment rating (T₀, T_x, T_y) are show in the sketches below. The upper values in the T_x and T_y columns apply to one slide unit, and the lower values apply to two slide units in close contact.

Remark 1 : The mark ☆ indicates that interchangeable specification products are available.

2 : The appended track rail mounting bolts are hexagon socket head bolts of JIS1176 or equivalent.

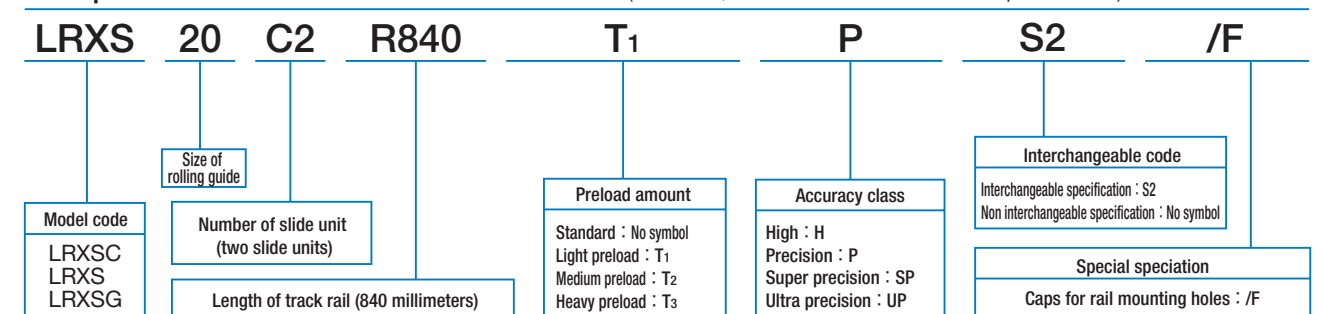
3 : For grease nipple specification, see page 97.

4 : A grease nipple mounting thread holes are provided on the left and right end plates respectively.



H ₃	Dimension of track rail mm							Mounting bolt for track rail mm Bolt size × length	Basic dynamic load rating ⁽³⁾ C N	Basic static load rating ⁽³⁾ C ₀ N	Static rated moment ⁽³⁾		
	W	H ₄	d ₃	d ₄	h	E	F				T ₀ N·m	T _x N·m	T _y N·m
3.5	15	16.5	4.5	8	6	30	60	M4× 16	7 730	12 000	113	50.6	50.6
									11 500	20 000	188	136	136
									14 900	28 000	263	262	262
4	20	21	6	9.5	8.5	30	60	M5× 20	16 100	26 400	341	150	150
									23 400	42 700	550	379	379
									30 100	58 900	760	713	713
5	23	24.5	7	11	9	30	60	M6× 25	21 600	33 800	500	213	213
									32 100	56 300	833	573	573
									38 200	70 300	1 040	885	885
6.5	28	28	9	14	12	40	80	M8× 28	29 200	44 600	808	329	329
									43 400	74 400	1 350	883	883
									53 200	96 700	1 750	1 470	1 470

Example of identification number of assembled set (For details, see "Identification number and specification".)



U.S. PATENTED

Linear Roller Way X

LRWX...B/LRWXH

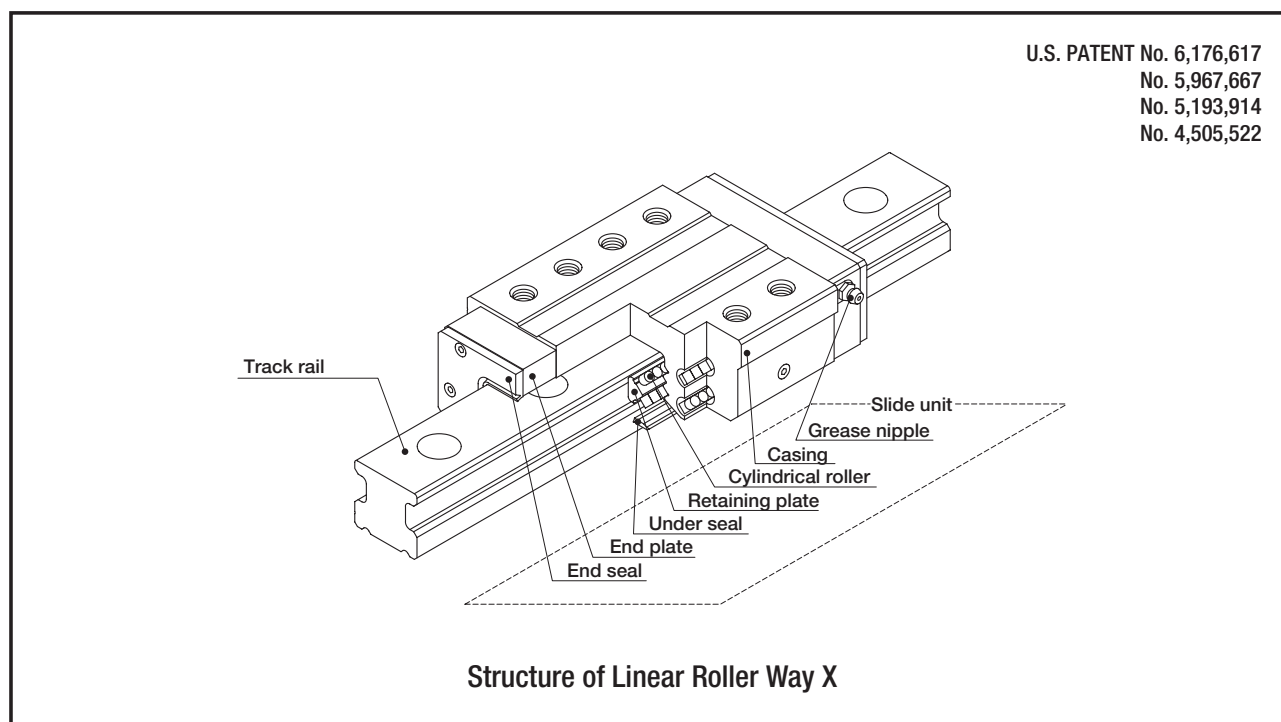
IKO Linear Roller Way X is a linear motion rolling guide which achieves smooth linear motion with high accuracy and rigidity. Four rows of cylindrical rollers are arranged in its casing with good balance, so elastic deformation is small and stable operation is ensured even under heavy or fluctuating loads. This product is suitable for applications with vibration and shocks.

High rigidity and excellent vibration damping performance

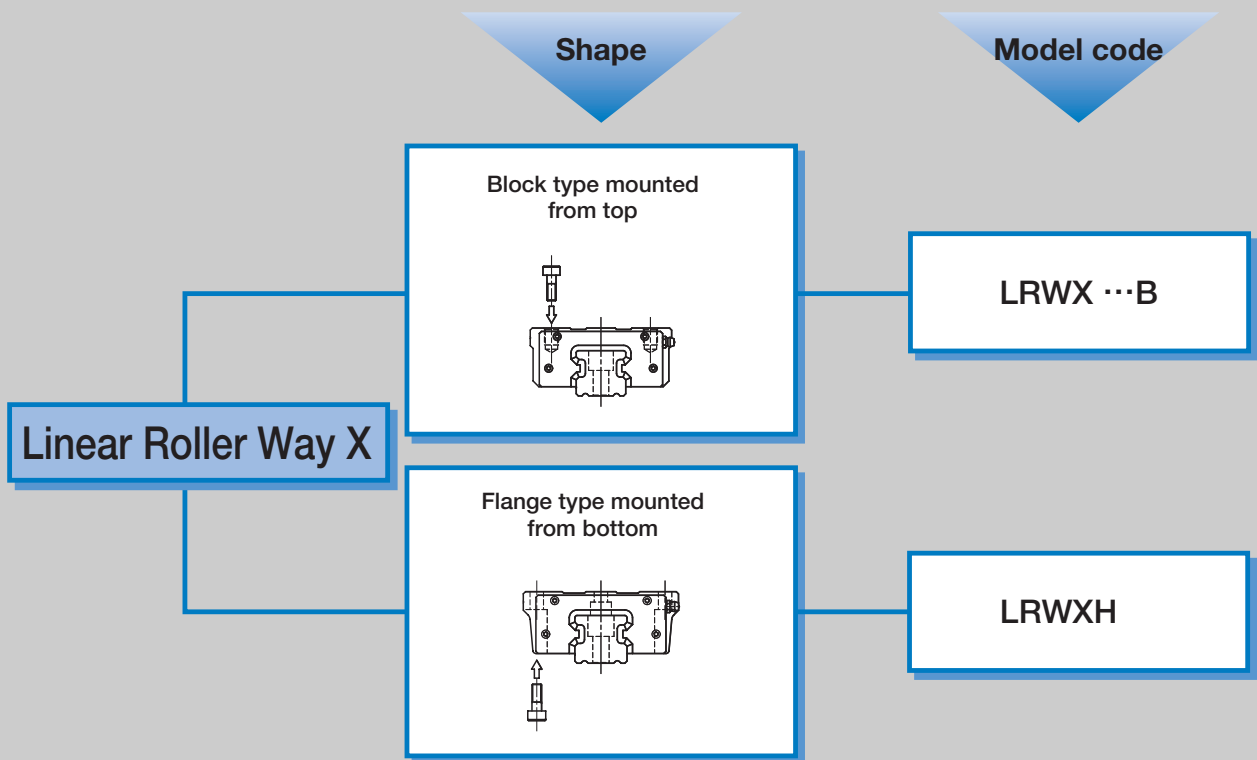
As a large number of parallel cylindrical rollers are arranged in a highly rigid casing with good balance, high rigidity as well as excellent vibration damping performance can be obtained.

Block type and flange type

Slide units are available in two different sectional shapes: the block type and the flange type for different mounting directions.



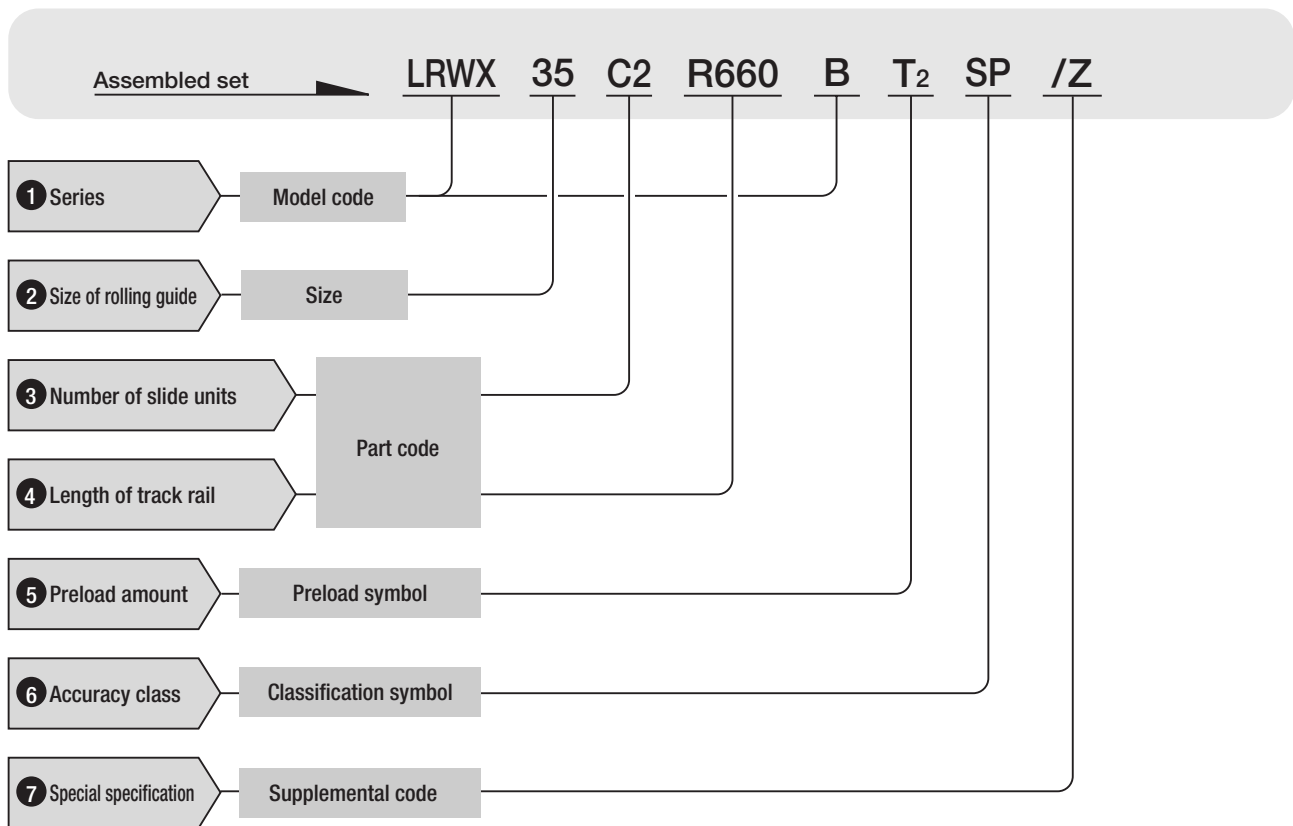
Linear Roller Way X series



LRWX...B, LRWXH

● Identification number and specification

The specification of Linear Roller Way X is indicated by the identification number, consisting of a model code, a size, a part code, a preload symbol, a classification symbol and any supplemental codes. For details of each specification, see page 76.



1 Series

Block type mounted from top : LRWX···B

Flange type mounted from bottom : LRWXH

For available models and sizes, see Table 1.

2 Size of rolling guide

Table 1 Models and sizes of Linear Roller Way X

Size	Model	Block type LRWX···B	Flange type LRWXH
25		○	—
35		○	○
45		○	○
55		○	○
75		○	○

3 Number of slide units

: C○

Indicate the number of slide units assembled on one track rail.

4 Length of track rail

: R○

Indicate the length of track rail in mm. For standard and maximum lengths, see "Track rail length" on page C-41.

5 Preload amount

Standard : No symbol

Light preload : T1

Medium preload : T2

Heavy preload : T3

For details of preload amount, see page 84.

6 Accuracy class

High : H

Precision : P

Super precision : SP

Ultra precision : UP

For details of accuracy, see page 79.

7 Special specification

For applicable special specifications, see Table 2. When several special specifications are combined, see Table 3. For details of special specifications, see page 86.

C
LRWX···B, LRWXH

Table 2 Special specifications

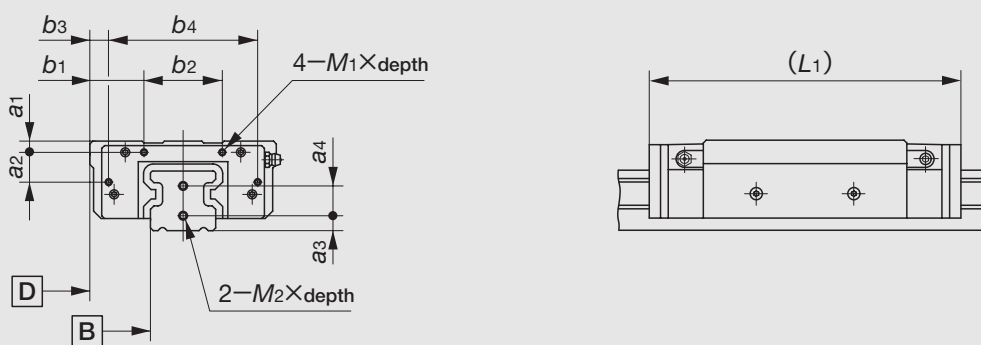
Special specification	Supplemental code	Block type	Flange type	Dimension
Butt-jointing track rail	A	○	○	
Opposite reference surfaces arrangement	D	○	○	
Specified rail mounting hole positions	E	○	○	
Caps for rail mounting holes	F	○	○	
Inspection sheet	I	○	○	
Female threads for bellows	J	○	○	See Table 4.
Black chrome surface treatment	L	○	○	
Fluorine black chrome surface treatment	LF	○	○	
Supplied without track rail mounting bolt	MN	○	○	
Capillary plates	Q	○	○	See Table 5.
Matched sets to be used as an assembled group	W	○	○	
Specified grease	Y	○	○	
Scrapers	Z	○	○	See Table 6.

Table 3 Combination of special specifications

D	○																			
E	—	—																		
F	○	○	○																	
I	○	○	○	○																
J	○	○	○	○	○															
L	○	○	○	○	○	○														
LF	○	○	○	○	○	○	○	—												
MN	○	○	○	○	○	○	○	○	○											
Q	○	○	○	○	○	○	○	○	○	○	○	○								
W	○	○	—	○	○	○	○	○	○	○	○	○	○							
Y	○	○	○	○	○	○	○	○	○	○	○	○	○	○	○	○	○	○	○	○
Z	○	○	○	○	○	○	○	○	○	○	○	○	○	○	○	○	○	○	○	○
	A	D	E	F	I	J	L	LF	MN	Q	W	Y								

Remark 1 : In the table, the mark — indicates that this combination cannot be made.
2 : When several special specifications are required, arrange the supplemental codes alphabetically.

Table 4 Female threads for bellows (Supplemental code /J, /JJ)

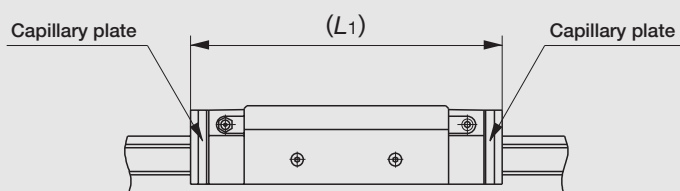


unit : mm

Model number	Slide unit								Track rail		
	a1	a2	b1	b2	b3	b4	M1×depth	L1 ⁽¹⁾	a3	a4	M2×depth
LRWX 25···B	5	12	15	33	7	49	M3× 6	116	7	12	M4× 8
LRWX 35···B	6	16	29	42	10	80	M3× 6	166	8	16	M4× 8
LRWXH 35			31		12						
LRWX 45···B	8	20	34	52	12	96	M4× 8	221	10	19	M5×10
LRWXH 45			38		16						
LRWX 55···B	9	24	36	68	15	110	M5×10	282	12	23	M6×12
LRWXH 55			43		22						
LRWX 75···B	10	35	35	110	15.5	149	M5×10	366	15	30	M6×12
LRWXH 75			42		22.5						

Note(1) : The values for a slide unit with female threads for bellows at both ends are shown.

Table 5 Slide unit with Capillary plates (Supplemental code /Q)



unit : mm

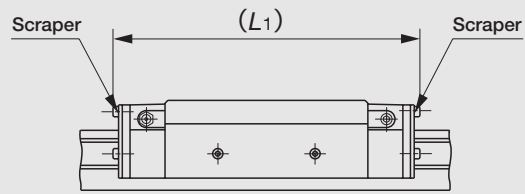
Model number	L1
LRWX 25···B	120
LRWX 35···B	166
LRWXH 35	
LRWX 45···B	218
LRWXH 45	

Model number	L1
LRWX 55···B	275
LRWXH 55	
LRWX 75···B	364
LRWXH 75	

C

LRWX···B, LRWXH

Table 6 Slide unit with scrapers (Supplemental code /Z, /ZZ)



unit : mm

Model number	L_1
LRWX 25...B	120
LRWX 35...B	164
LRWXH 35	
LRWX 45...B	217
LRWXH 45	

Model number	L_1
LRWX 55...B	275
LRWXH 55	
LRWX 75...B	361
LRWXH 75	

Remark : The values for a slide unit with scrapers at both ends are shown.

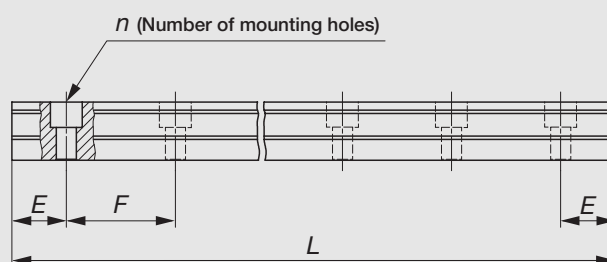
● Track rail length

Standard and maximum lengths of track rails are shown in Table 7. Track rails in any length are also available. Simply indicate the necessary length of track rail in mm in the identification number.

For the tolerances of E dimension and track rail length, consult **IKO** for further information.

- For track rails longer than the maximum length shown in Table 7, butt-jointing track rails are available upon request. In this case, indicate "/A" in the identification number.
- E dimensions at both ends are the same and are within the standard range of E unless otherwise specified. To change these dimensions, specify the specified rail mounting hole positions "/E" of special specification. For details, see page 89.

Table 7 Standard and maximum lengths of track rails



unit : mm

Item \ Model number	LRWX 25...B	LRWX 35...B	LRWX 45...B	LRWX 55...B	LRWX 75...B
Standard length $L (n)$	480 (8) 660 (11) 840 (14) 1 020 (17) 1 200 (20) 1 500 (25)	480 (8) 660 (11) 840 (14) 1 020 (17) 1 200 (20) 1 500 (25)	800 (10) 1 040 (13) 1 200 (15) 1 520 (19) 1 920 (24)	800 (8) 1 000 (10) 1 200 (12) 1 500 (15) 2 000 (20) 3 000 (30)	840 (7) 1 200 (10) 1 560 (13) 1 920 (16) 3 000 (25)
Pitch of mounting holes F	60	60	80	100	120
E	30	30	40	50	60
Standard range of E ⁽¹⁾	incl. 9 under 39	incl. 12 under 42	incl. 15 under 55	incl. 18 under 68	incl. 23 under 83
Maximum length ⁽²⁾	1 980 (3 000)	3 000 (3 960)	2 960 (4 000)	3 000 (4 000)	3 000 (3 960)

Note⁽¹⁾ : Not applicable to the track rail with female threads for bellows (supplemental code "/J").

⁽²⁾ : Track rails with the maximum lengths shown in parentheses can also be manufactured. Consult **IKO** for further information.

Remark : The above table shows representative model numbers but is applicable to all models of the same size.

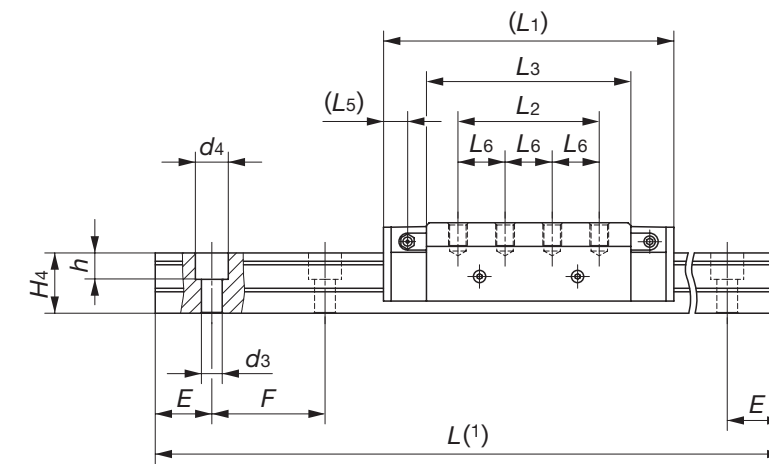
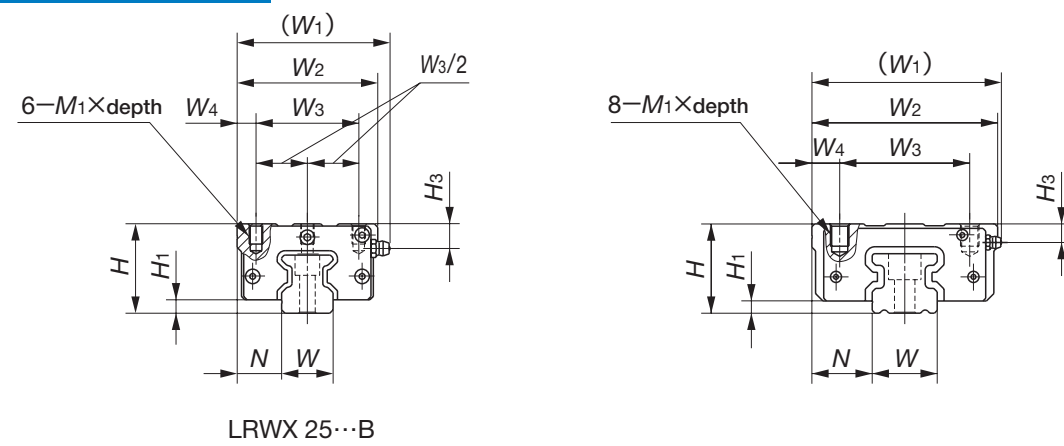
C

LRWX...B, LRWXH

IKO Linear Roller Way X : Block type

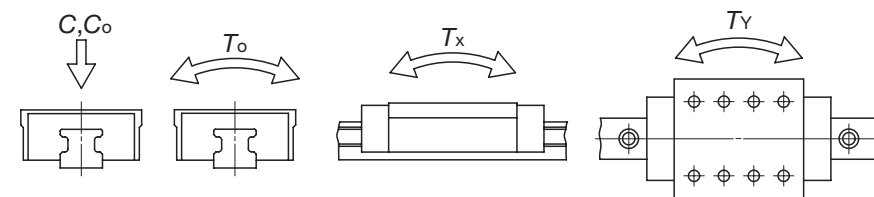


Block type mounted from top
LRWX...B



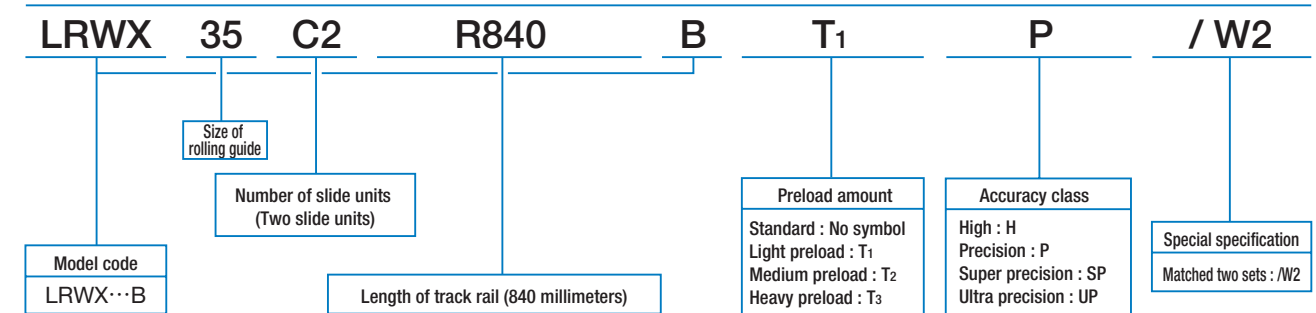
Model number	Mass (Ref.)		Dimensions of assembly mm			Dimensions of slide unit mm									
	Slide unit kg	Track rail kg/m	H	H ₁	N	W ₁	W ₂	W ₃	W ₄	L ₁	L ₂	L ₃	L ₅	L ₆	M ₁ ×depth
LRWX 25...B	0.93	3.70	40	6	20	70	63	46	8.5	109	45	74.4	11	—	M 6× 9
LRWX 35...B	2.65	6.66	48	6.5	32.5	104	100	70	15	154	75	108.4	12.8	25	M10×12
LRWX 45...B	5.32	10.3	60	8	37.5	129	120	82	19	205	105	144	18.5	35	M12×16
LRWX 55...B	9.09	15.3	70	9	42.5	146	140	95	22.5	262	135	189	24.5	45	M12×18
LRWX 75...B	19.0	25.1	90	10	52.5	195	180	123	28.5	346	180	240	45	60	M16×25

Note(1) : Track rail lengths are shown in Table 7 on page C-41.
 (2) : The directions of basic dynamic load rating (C), basic static load rating (C₀) and static moment rating (T₀, T_x, T_y) are shown in the sketches below. The upper values in the T_x and T_y columns apply to one slide unit, and the lower values apply to two slide units in close contact.
 Remark 1 : The appended track rail mounting bolts are hexagon socket head bolts of JIS B 1176 or equivalent.
 2 : For grease nipple specifications, see page 97.



H ₃	Dimensions of track rail mm							Mounting bolt for track rail mm Bolt size x length	Basic dynamic load rating ⁽²⁾ C N	Basic static load rating ⁽²⁾ C ₀ N	Static moment rating ⁽²⁾		
	W	H ₄	d ₃	d ₄	h	E	F				T ₀ N·m	T _x N·m	T _y N·m
11	23	26	7	11	9	30	60	M 6×28	32 700	70 300	1 110	885 5 220	885 5 220
10	35	32	11	17.5	14	30	60	M10×35	49 900	91 100	2 150	1 660 9 450	1 660 9 450
14.5	45	39	14	20	16	40	80	M12×40	93 300	167 000	5 000	4 030 23 000	4 030 23 000
16	55	47	18	26	21	50	100	M16×50	186 000	330 000	12 200	10 700 57 900	10 700 57 900
20	75	57	26	39	30	60	120	M24×60	298 000	518 000	25 200	20 900 121 000	20 900 121 000

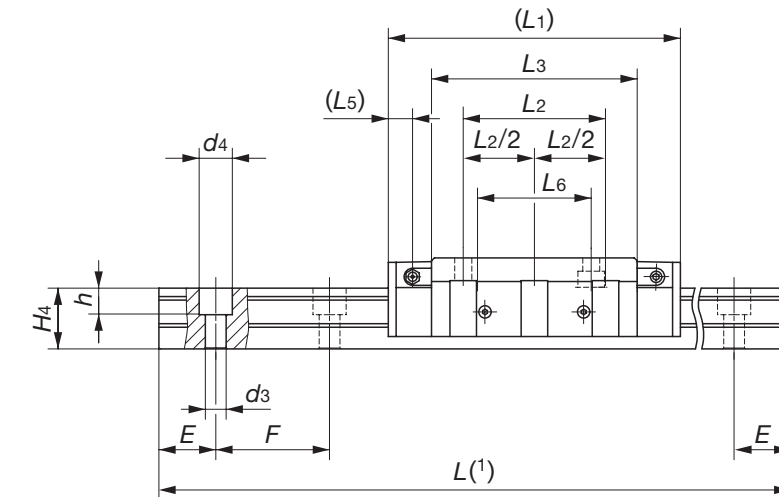
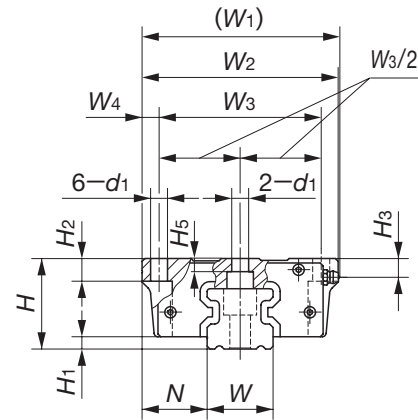
Example of identification number (For details, see "Identification number and specification".)



IKO Linear Roller Way X : Flange type



Flange type mounted from bottom
LRWXH



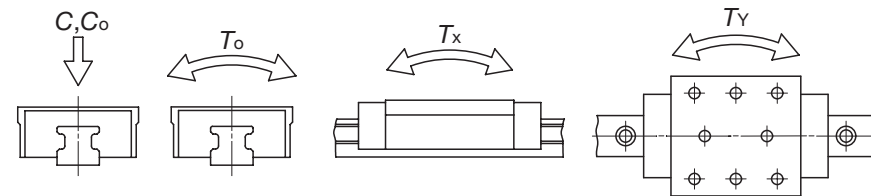
Model number	Mass (Ref.)		Dimensions of assembly mm			Dimensions of slide unit mm									
	Slide unit kg	Track rail kg/m	H	H ₁	N	W ₁	W ₂	W ₃	W ₄	L ₁	L ₂	L ₃	L ₅	L ₆	d ₁
LRWXH 35	2.51	6.66	48	6.5	34.5	106	104	86	9	154	75	108.4	12.8	60	9
LRWXH 45	5.18	10.3	60	8	41.5	133	128	108	10	205	105	144	18.5	80	11
LRWXH 55	9.08	15.3	70	9	49.5	—	154	130	12	262	135	189	24.5	106	14
LRWXH 75	19.7	25.1	90	10	59.5	202	194	164	15	346	180	240	45	134	18

			Dimensions of track rail mm							Mounting bolt for track rail mm	Basic dynamic load rating ⁽²⁾	Basic static load rating ⁽²⁾	Static moment rating ⁽²⁾		
H ₂	H ₃	H ₅	W	H ₄	d ₃	d ₄	h	E	F	Bolt size x length	C N	C ₀ N	T ₀ N·m	T _x N·m	T _y N·m
12	10	7	35	32	11	17.5	14	30	60	M10×35	49 900	91 100	2 150	1 660 9 450	1 660 9 450
15	14.5	10	45	39	14	20	16	40	80	M12×40	93 300	167 000	5 000	4 030 23 000	4 030 23 000
18	16	10	55	47	18	26	21	50	100	M16×50	186 000	330 000	12 200	10 700 57 900	10 700 57 900
24	20	16	75	57	26	39	30	60	120	M24×60	298 000	518 000	25 200	20 900 121 000	20 900 121 000

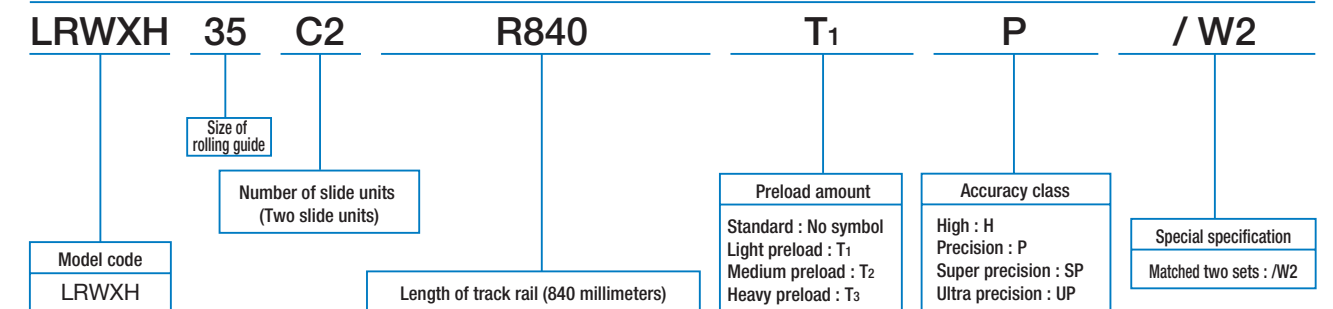
Note(1) : Track rail lengths are shown in Table 7 on page C-41.

(2) : The directions of basic dynamic load rating (C), basic static load rating (C₀) and static moment rating (T₀, T_x, T_y) are shown in the sketches below. The upper values in the T_x and T_y columns apply to one slide unit, and the lower values apply to two slide units in close contact.

Remark 1 : The appended track rail mounting bolts are hexagon socket head bolts of JIS B 1176 or equivalent.
2 : For grease nipple specifications, see page 97.



Example of identification number (For details, see "Identification number and specification".)



C

LRWXH, LRWXH

U.S. PATENTED

Linear Roller Way H

LRWH

IKO Linear Roller Way H is a roller type linear motion rolling guide which achieves endless linear motion of the slide unit along the track rail. Two rows of cylindrical rollers are incorporated in the slide unit and the rollers in each row are alternately crossed at right angles to each other.

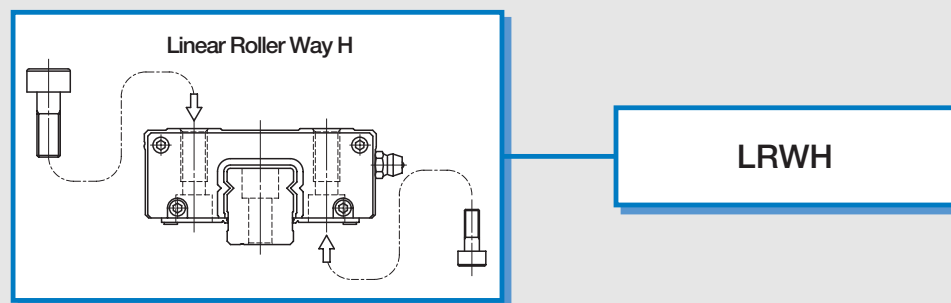
Linear Roller Way H

The casing has a solid structure, and incorporates a large number of effective rollers with a long effective contact length. This product can be mounted from both upper and lower sides.

Linear Roller Way H series

Shape

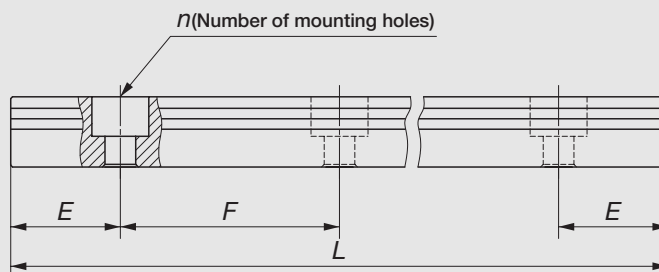
Model code



U.S. PATENT No. 4,746,228
No. 4,692,036
No. 4,688,950

● Track rail length

Table 1 Standard and maximum lengths of track rails



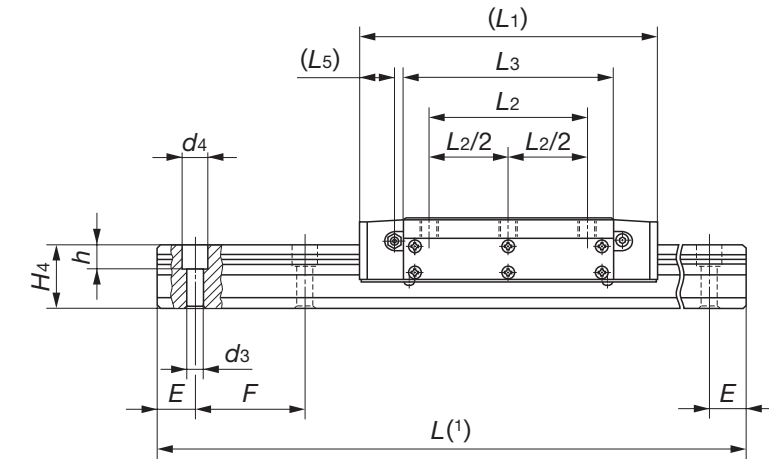
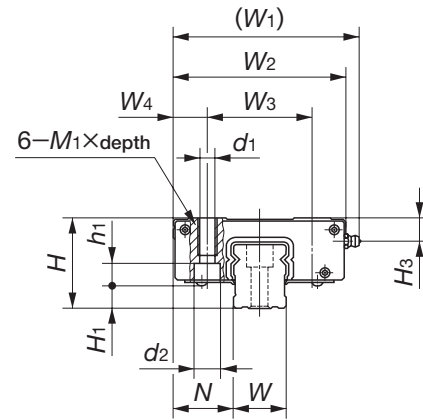
unit : mm

Item \ Model number	LRWH 25	LRWH 35	LRWH 45	LRWH 55	LRWH 65
Standard length $L(n)$	480(8)	480(8)	800(10)	800(8)	840(7)
	660(11)	660(11)	1 040(13)	1 000(10)	1 200(10)
	840(14)	840(14)	1 200(15)	1 200(12)	1 560(13)
	1 020(17)	1 020(17)	1 520(19)	1 500(15)	1 920(16)
	1 200(20)	1 200(20)	1 920(24)	2 000(20)	3 000(25)
	1 500(25)	1 500(25)		3 000(30)	
Pitch of mounting holes F	60	60	80	100	120
E	30	30	40	50	60
Maximum length	3 000	3 000	2 960	3 000	3 000

IKO Linear Roller Way H

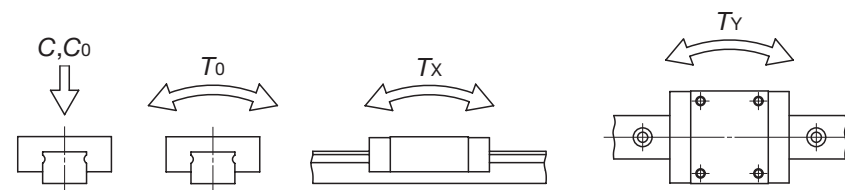


LRWH



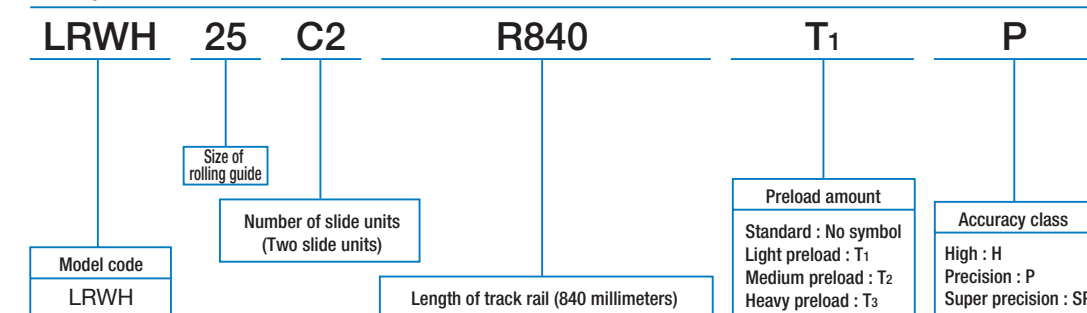
Model number	Mass (Ref.)		Dimensions of assembly mm			Dimensions of slide unit mm											
	Slide unit kg	Track rail kg/m	H	H ₁	N	W ₁	W ₂	W ₃	W ₄	L ₁	L ₂	L ₃	L ₅	d ₁	d ₂	h ₁	M ₁ ×depth
LRWH 25	0.95	3.39	35	6	25	80	70	40	15	124	60	85.5	14	6.8	11	9	M 8×16
LRWH 35	2.03	6.95	48	12	32	102	92	56	18	162	86	114	19	8.6	14	12	M10×20
LRWH 45	4.92	10.9	60	11	42	137	122	76	23	214	120	152	23	10.5	17	17	M12×24
LRWH 55	8.83	16.4	70	15	52	167	152	96	28	264	150	190	29	12.5	21	27	M14×28
LRWH 65	16.3	22.1	85	17	62	195	180	110	35	316	180	228	36	15.7	24	32	M18×36

Note(1) : Track rail lengths are shown in Table 1 on page C-47.
 (2) : The directions of basic dynamic load rating (C), basic static load rating (C₀) and static moment rating (T₀, T_x, T_y) are shown in the sketches below. The upper values in the T_x and T_y columns apply to one slide unit, and the lower values apply to two slide units in close contact.
 Remark 1 : The appended track rail mounting bolts are hexagon socket head bolts of JIS B 1176 or equivalent.
 2 : LRWH25 and LRWH35 are provided with an A-M6F grease nipple, while LRWH45, LRWH55 and LRWH65 are provided with an A-PT1/8 grease nipple.



H ₃	Dimensions of track rail mm								Mounting bolt for track rail mm Bolt size x length	Basic dynamic load rating ⁽²⁾ C N	Basic static load rating ⁽²⁾ C ₀ N	Static moment rating ⁽²⁾		
	W	H ₄	d ₃	d ₄	h	E	F	T ₀ N·m				T _x N·m	T _y N·m	
11	20	23	7	11	9	30	60	M 6×22	21 700	30 400	340	492 2 640	466 2 700	
12	28	34	9	14	12	30	60	M 8×35	44 400	62 400	955	1 350 7 060	1 280 7 220	
17	38	40	14	20	16	40	80	M12×40	87 200	122 000	2 490	3 500 18 100	3 320 18 500	
18	48	47	16	23	19	50	100	M14×50	142 000	194 000	5 010	6 990 35 700	6 620 36 500	
20	56	54	18	26	21	60	120	M16×55	206 000	277 000	8 360	12 000 60 900	11 300 62 200	

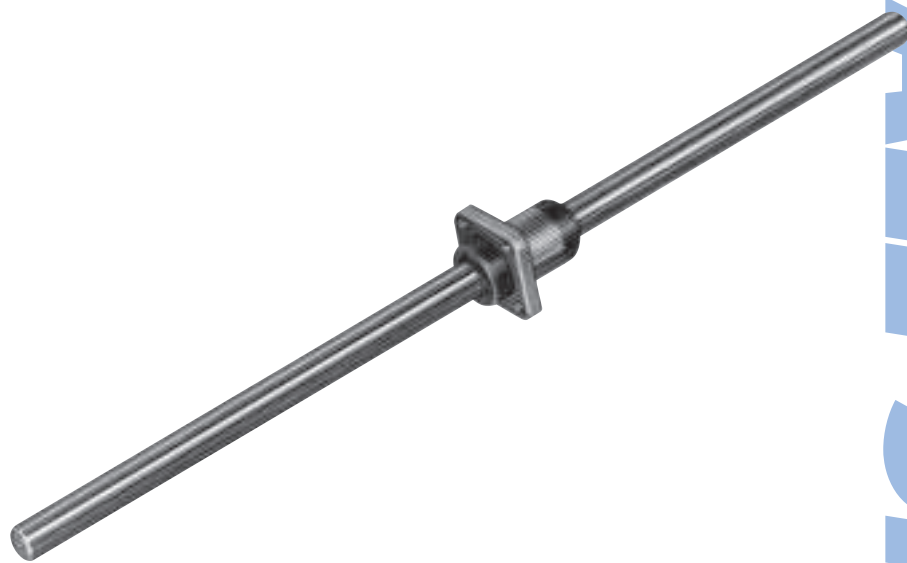
Example of identification number



Linear Ball Spline



LINEAR BALL SPLINE



Description of Linear Ball Spline.....D-2

Linear Ball Spline G.....D-28

Block type Linear Ball Spline.....D-46

Angular type Linear Ball Spline.....D-54

Features of Linear Ball Spline

IKO Linear Ball Spline is a linear motion rolling guide which achieves endless linear motion of an external cylinder along a spline shaft. As steel balls make rolling contact with the spline grooves, radial loads as well as rotating torque can be received. This product is most suitable for mechanisms that perform linear motion while transmitting rotating torque. The spline grooves have almost the same radius of curvature as that of steel balls, and can receive a large load. This product has a large load capacity and will be useful for achieving compact design of machines and equipment.

1 Interchangeable

The dimensions of spline shafts and external cylinders (or slide units) of the interchangeable specification are individually controlled, so that the spline shafts and external cylinders (or slide units) can be combined, added or exchanged freely. (Linear Ball Spline G series and Block type Linear Ball Spline series)

2 Wide variations

Size variations range from a very small size with shaft diameter of 2 mm to larger sizes up to 50 mm. Three types of external cylinders (including one slide unit type) are also available: standard type, flange type and block type.

These products can be selected to meet the requirements for each application.

3 Compact design with high rigidity

Large diameter steel balls are arranged in two rows and in four point contact with the raceways, achieving compact design with high rigidity. (Linear Ball Spline G series and Block type Linear Ball Spline series)

4 High positioning accuracy

By applying a suitable preload, clearance in the rotational direction is eliminated. So high positioning accuracy in the rotational direction can be obtained.

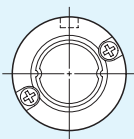
5 Smooth motion with low friction

The steel ball re-circulation was thoroughly analyzed, resulting in an optimal design of re-circulation route through end caps. High speed operation as well as smooth motion with low friction can be achieved.

Series of Linear Ball Spline

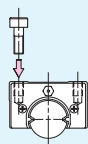
Linear Ball Spline

Linear Ball Spline G



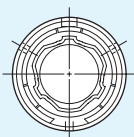
This Linear Ball Spline adopts a two row raceway and four point contact design. Owing to its simple structure, this product is compact with high rigidity. Various sizes are available in this series ranging from a very small size with the shaft diameter of 2 mm and the external cylinder diameter of 6 mm.

Block type Linear Ball Spline



This Linear Ball Spline adopts a two row raceway and four point contact design, and features a block type slide unit. As the mounting structure can be simplified, man-hours for design and assembly can be greatly reduced.

Angular type Linear Ball Spline



This Linear Ball Spline adopts a six row raceway and two point contact design, and a special structure is used for holding steel balls in place of a ball retainer. This product is compact and has large load ratings.

Series and size variation

Size	Linear Ball Spline G	Block type Linear Ball Spline	Angular type Linear Ball Spline
2	○	—	—
3	○	—	—
4	○	—	—
5	○	—	—
6	○	○	—
8	○	○	—
10	○	○	—
12	○	—	—
13	—	○	—
15	○	—	○
16	—	○	—
20	○	○	○
25	○	○	○
30	○	—	○
40	○	—	○
50	—	—	○

Remark : For the details of applicable specifications and sizes, see the description of each series.

Interchangeable Specification

IKO Linear Ball Spline include interchangeable specification products. The spline shafts and the external cylinders (or the slide units) of this specification can be handled separately and can be assembled to make a set as required.

The interchangeable specification guides are produced with the original precision manufacturing technology, making the most of the **IKO** guide designs: namely, the simple two-row raceway and four-point contact ball design. The dimensional accuracy of both external cylinders (or slide units) and spline shafts is strictly controlled to achieve the interchangeability of higher standard.



A new product selection system is offered, in which external cylinders (or slide units) and spline shafts can be selected separately, as and when required !!

Wide range of variations

The models of Linear Ball Spline G for which the interchangeable specification is applicable are indicated by an asterisk (☆) in the table of dimensions of each series.

All models of Block type Linear Ball Spline are interchangeable specification products.

Linear Ball Spline G

(page D-28 to page D-45)

8 types and 56 models

Block type Linear Ball Spline

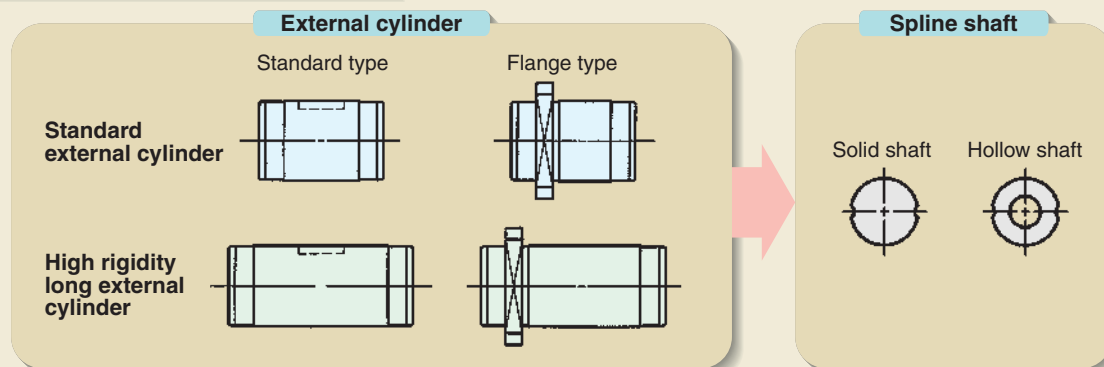
(page D-46 to page D-53)

3 types and 17 models

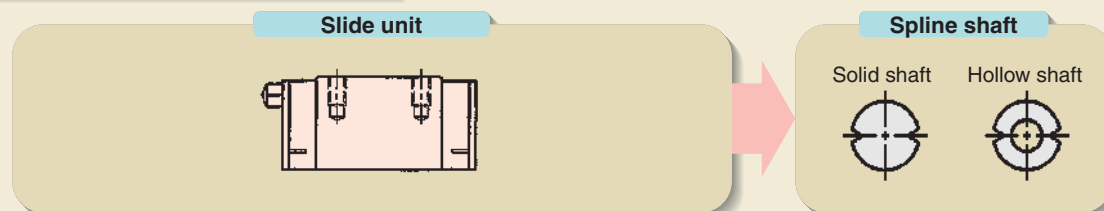
Features of interchangeable specification products [1] Interchangeable external cylinder, Interchangeable slide unit

Various types of external cylinders with different shapes and lengths and solid shafts and hollow shafts are prepared. All of these external cylinders and spline shafts can be freely combined.

Linear Ball Spline G



Block type Linear Ball Spline



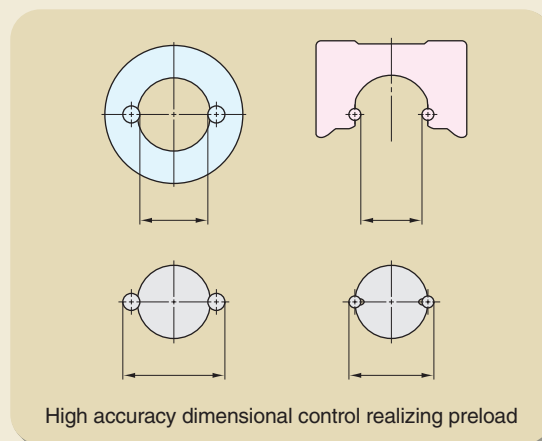
Features of interchangeable specification products [2] Interchangeable with high accuracy

Two accuracy classes, Ordinary and High are prepared for the interchangeable specification products so that these products can be used for applications requiring high running accuracy.

Features of interchangeable specification products [3] Interchangeable with preload

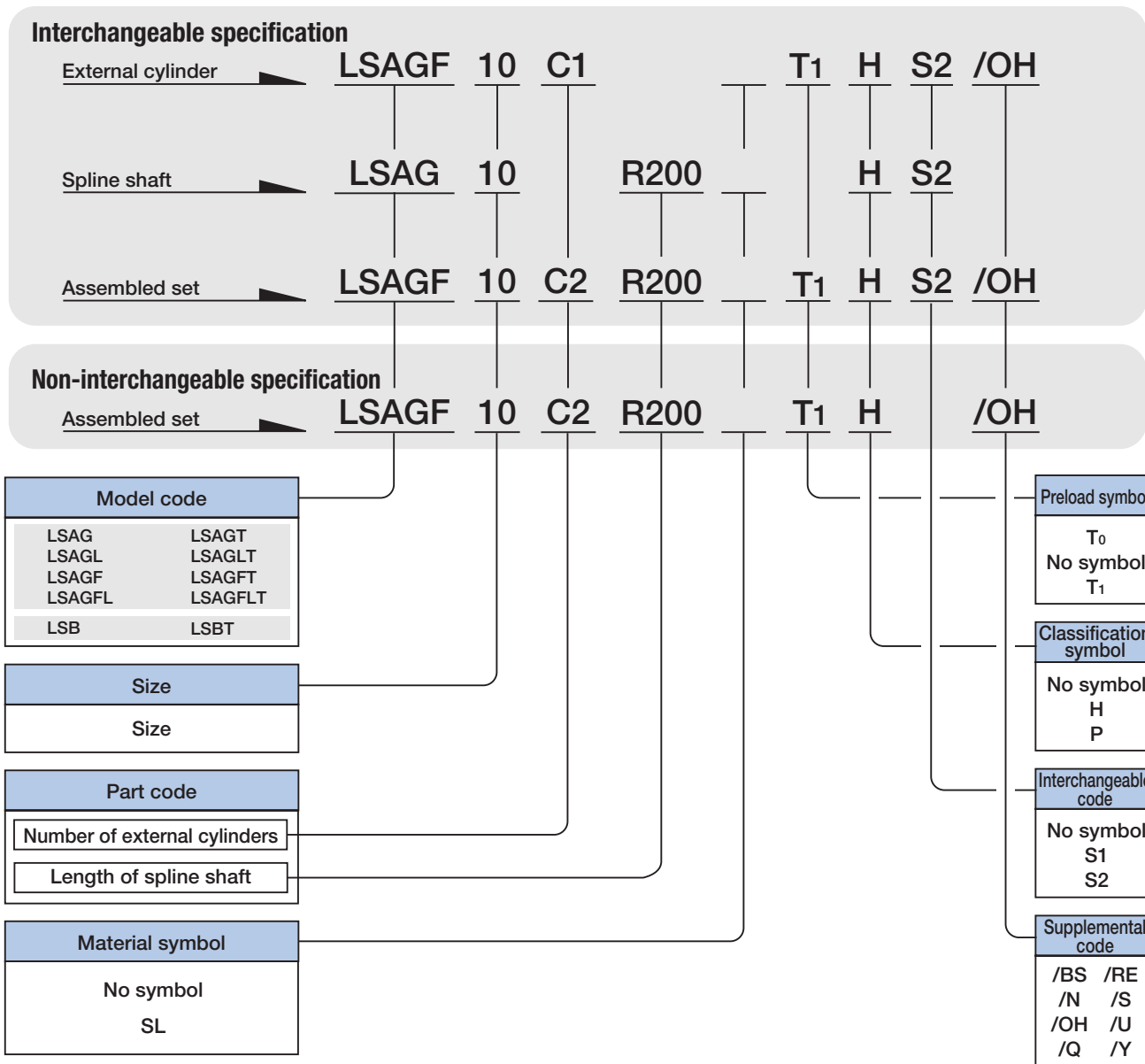
High accuracy dimensional control owing to a simple structure has made it possible to realize the interchangeability among preloaded external cylinders (or slide units).

In the interchangeable specification products, light preload type is prepared so that these products can be used for applications requiring one step higher rigidity.



Identification Number

The identification number of **IKO** Linear Ball Spline consists of a model code, a size, a part code, a material symbol, a preload symbol, a classification symbol, an interchangeable code and any supplemental codes. Examples of identification number are shown below. For details of specifications, see the description of each series.




For Ordering

When ordering assembled sets of Linear Ball Spline, indicate the number of sets which is always represented by the number of spline shafts. For ordering the external cylinders and spline shafts of interchangeable specification separately, indicate the number of external cylinders and the number of spline shafts, respectively. Examples of ordering are shown below.

Interchangeable specification

External cylinder only



(for two cylinders)

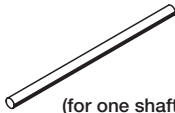
Ordering example

LSAGF 10 C1 T1 H S2 /OH

Only "C1" meaning one external cylinder can be indicated.

Order quantity
2 pieces

Spline shaft only



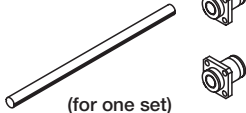
(for one shaft)

Ordering example

LSAG 10 R200 H S2

Order quantity
1 piece

Assembled set



(for one set)

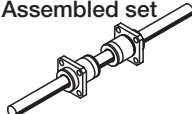
Ordering example

LSAGF 10 C2 R200 T1 H S2 /OH

Order quantity
1 piece

Non-interchangeable specification

Assembled set



(for one set)

Ordering example

LSAGF 10 C2 R200 T1 H /OH

Order quantity
1 piece

Load Rating

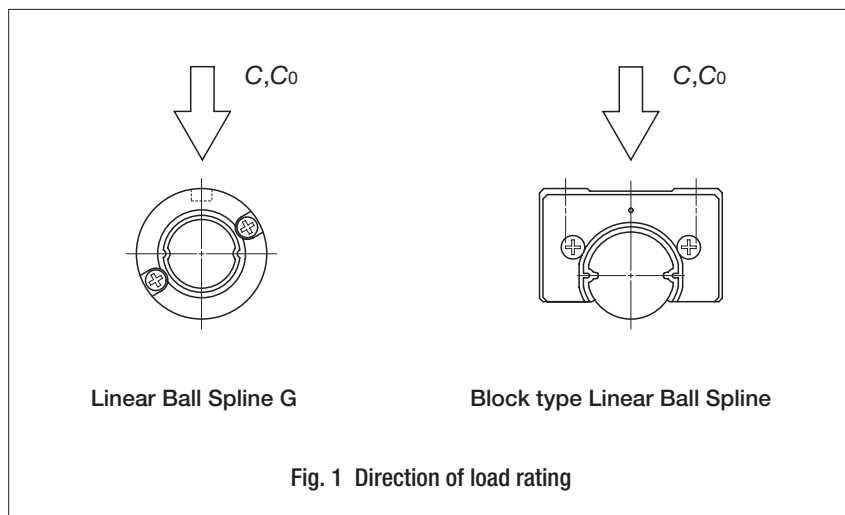
The load ratings of **IKO** Linear Ball Spline are defined for downward load. Summarized descriptions of load ratings are given below. For details of load rating definitions and load calculation, see "General description".

● Basic dynamic load rating C

The basic dynamic load rating is defined as the constant load both in direction and magnitude under which a group of identical Linear Ball Splines are individually operated and 90% of the units in the group can travel 50×10^3 meters free from material damage due to rolling contact fatigue.

● Basic static load rating C_0

The basic static load rating is defined as the static load that gives a prescribed constant contact stress at the center of the contact area between the rolling element and raceway receiving the maximum load.

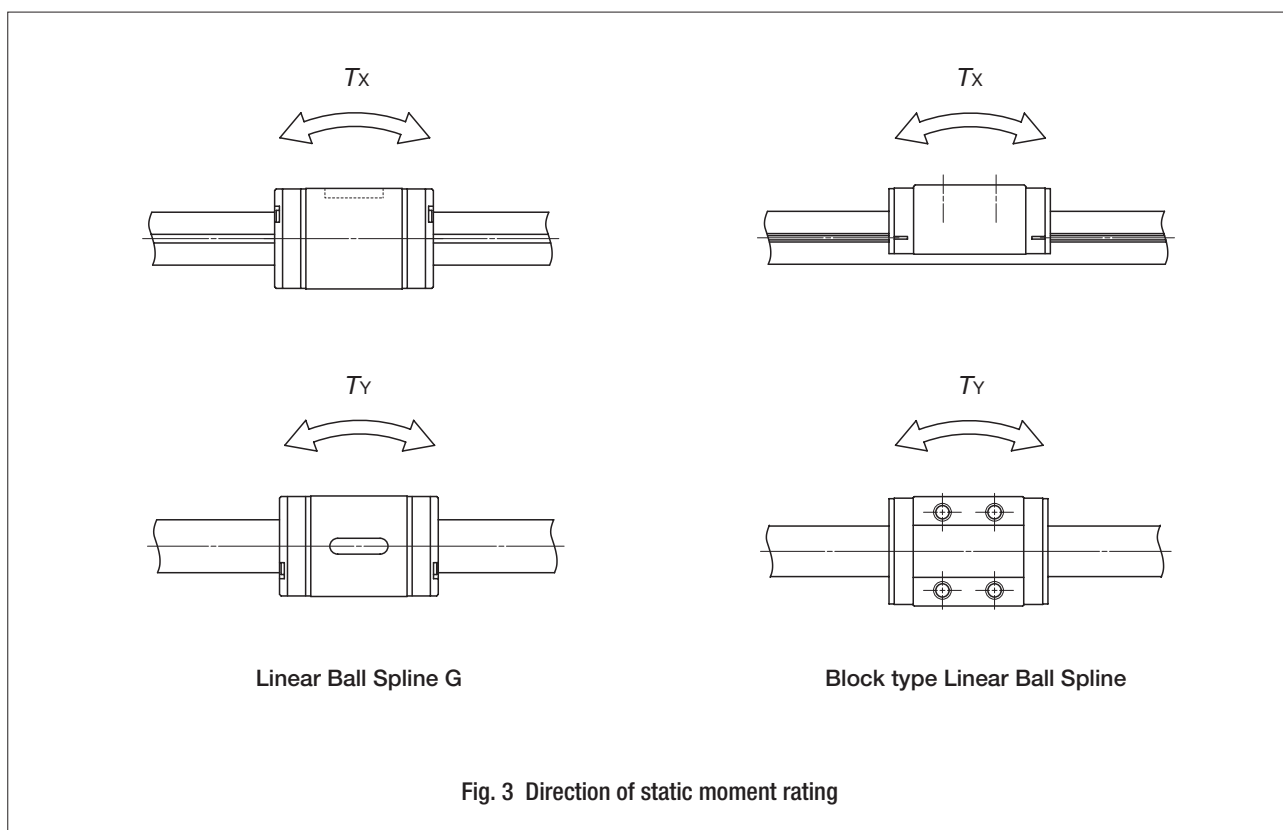
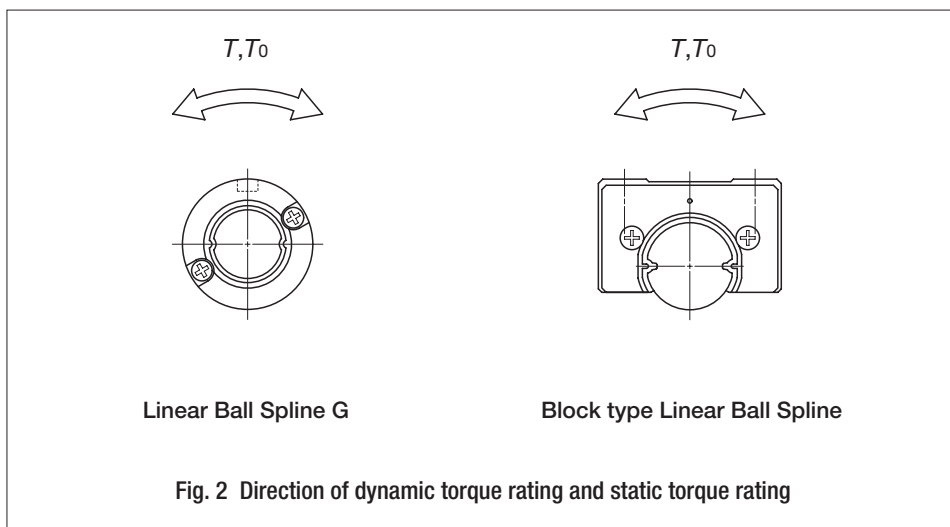


● Dynamic torque rating T

The dynamic torque rating is defined as the constant torque both in direction and magnitude under which a group of identical Linear Ball Splines are individually operated and 90% of the units in the group can travel 50×10^3 meters free from material damage due to rolling contact fatigue.

● Static torque rating T_0 and static moment rating T_x, T_y

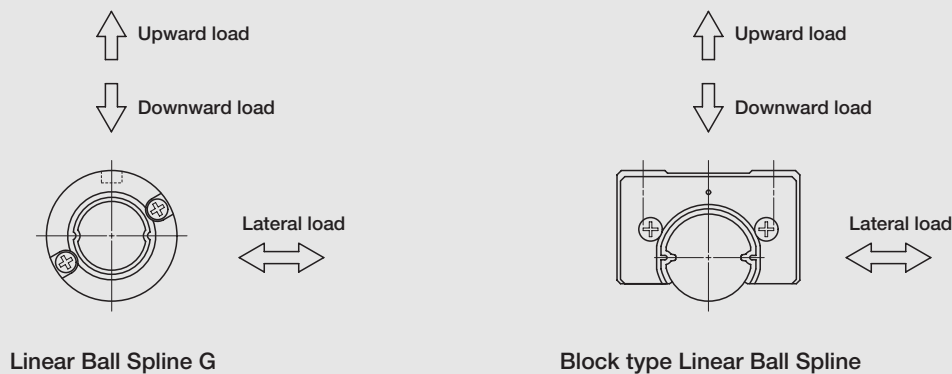
The static torque rating or the static moment rating is defined as the static torque or moment load that gives a prescribed constant contact stress at the center of the contact area between the rolling element and raceway receiving the maximum load when a torque or a moment is loaded.



● Load direction and load rating

Since the load ratings of **IKO** Linear Ball Spline given in the table of dimensions are for downward load, they must be corrected for the load direction for upward or lateral load. The corrected basic dynamic load ratings and basic static load ratings are shown in Table 1.

Table 1 Load ratings corrected for the load direction



Load rating and load direction		Dynamic load rating			Static load rating		
		Load direction			Load direction		
Series and size		Downward	Upward	Lateral	Downward	Upward	Lateral
Linear Ball Spline G	2~12	C	C	$1.47C$	C_0	C_0	$1.73C_0$
	15~50	C	C	$1.13C$	C_0	C_0	$1.19C_0$
Block type Linear Ball Spline	6~20	C	C	$0.88C$	C_0	C_0	$0.84C_0$
	25	C	C	C	C_0	C_0	C_0

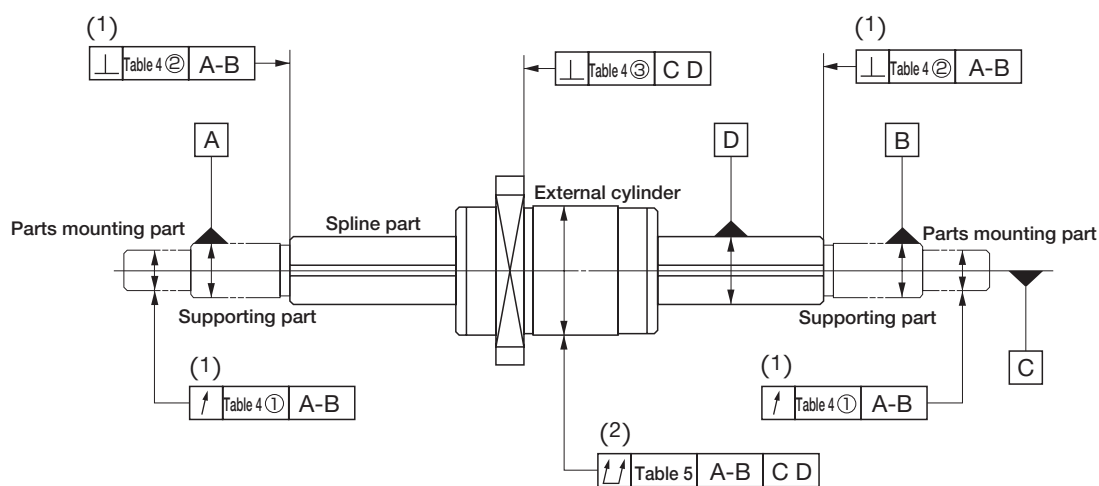
Accuracy

Three classes of accuracy, Ordinary, High, and Precision are specified for **IKO** Linear Ball Spline. Table 2 summarizes applicable classes for each series, and Tables 3 to 5 show accuracy of each series. For details of applicable classes, see the description of each series. For the accuracy of series other than those shown in Table 2, consult **IKO** for further information.

Table 2 Accuracy class

Series	Classification (Symbol)	Ordinary (No symbol)	High (H)	Precision (P)
Linear Ball Spline G		☆	☆	○
Block type Linear Ball Spline		☆	☆	—

Remark : The mark ☆ indicates that it is also applicable to interchangeable specification products.



Note(1) : This accuracy is applicable when special machining is done to the shaft ends.
 (2) : Also applicable to Block type Linear Ball Spline by using a measuring unit.

Fig. 4 Accuracy of Linear Ball Spline G (Example)

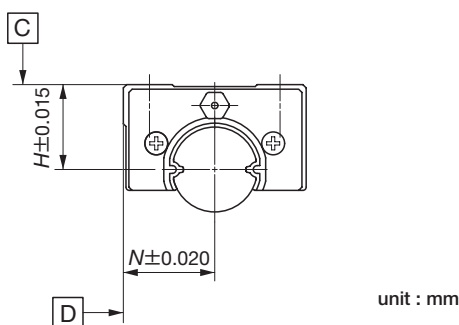


Fig. 5 Accuracy of assembled set of Block type Linear Ball Spline

1N=0.102kgf=0.2248lbs.
 1mm=0.03937inch

Table 3 Twist of grooves with respect to effective length of the spline part unit : μm

Accuracy class	Ordinary (No symbol)	High (H)	Precision (P)
Allowable value	33	13	6

Remark : The values are applicable to any length of 100 mm over the effective length of the spline part.

Table 4 Accuracy of each part of Linear Ball Spline G unit : μm

Model number	Relative to axial line of supporting part of spline shaft						③ Perpendicularity of mounting surface of flange relative to axial line of spline shaft		
	① Radial runout of periphery of parts mounting part			② Perpendicularity of spline part end face			Ordinary (No symbol)	High (H)	Precision (P)
	Ordinary (No symbol)	High (H)	Precision (P)	Ordinary (No symbol)	High (H)	Precision (P)			
LSAG 2	33	14	8	22	9	6	27	11	8
LSAG 3	33	14	8	22	9	6	27	11	8
LSAG 4	33	14	8	22	9	6	27	11	8
LSAG 5	33	14	8	22	9	6	27	11	8
LSAG 6	33	14	8	22	9	6	27	11	8
LSAG 8	33	14	8	22	9	6	27	11	8
LSAG 10	41	17	10	22	9	6	33	13	9
LSAG 12	41	17	10	22	9	6	33	13	9
LSAG 15	46	19	12	27	11	8	33	13	9
LSAG 20	46	19	12	27	11	8	33	13	9
LSAG 25	53	22	13	33	13	9	39	16	11
LSAG 30	53	22	13	33	13	9	39	16	11
LSAG 40	62	25	15	39	16	11	46	19	13
LSAG 50	62	25	15	39	16	11	—	—	—

Remark : The above table shows representative model numbers, but is applicable to all models.

However, the accuracy of ① and ② is applicable when special machining is done to the shaft ends. The accuracy of ③ is applicable to LSAGF(T) and LSAGFL(T).

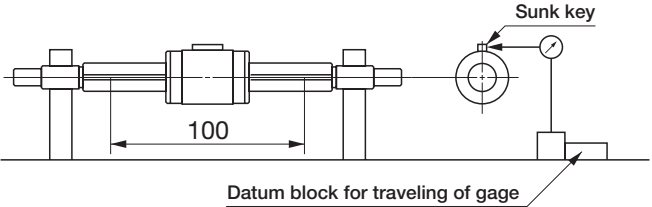
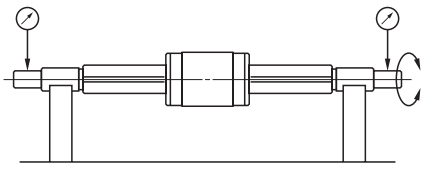
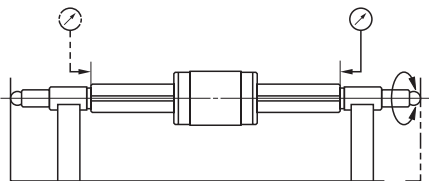
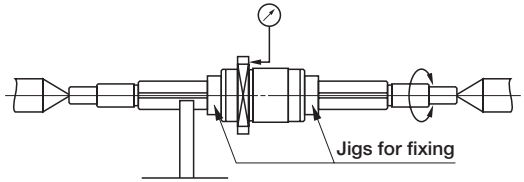
Table 5 Total radial runout of axial line of spline shaft

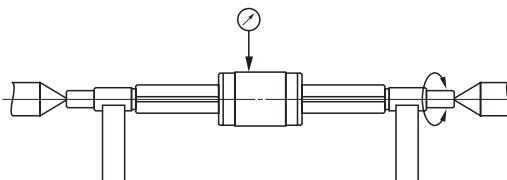
unit : μm

Overall length of spline shaft mm		LSAG 2 LSAG 3 LSAG 4 LSB 6 LSAG 5 LSB 8 LSAG 6 LSAG 8			LSAG 10 LSB 10 LSAG 12 LSB 13			LSAG 15 LSB 16 LSAG 20 LSB 20		
over	incl.	Ordinary (No symbol)	High (H)	Precision (P)	Ordinary (No symbol)	High (H)	Precision (P)	Ordinary (No symbol)	High (H)	Precision (P)
—	200	72	46	26	59	36	20	56	34	18
200	315	133	89	57	83	54	32	71	45	25
315	400	185	126	82	103	68	41	83	53	31
400	500	236	163	108	123	82	51	95	62	38
500	630	—	—	—	151	102	65	112	75	46
630	800	—	—	—	190	130	85	137	92	58
800	1 000	—	—	—	—	—	—	170	115	75
Overall length of spline shaft mm		LSAG 25 LSB 25 LSAG 30			LSAG 40 LSAG 50					
over	incl.	Ordinary (No symbol)	High (H)	Precision (P)	Ordinary (No symbol)	High (H)	Precision (P)			
—	200	53	32	18	53	32	16			
200	315	58	39	21	58	36	19			
315	400	70	44	25	63	39	21			
400	500	78	50	29	68	43	24			
500	630	88	57	34	74	47	27			
630	800	103	68	42	84	54	32			
800	1 000	124	83	52	97	63	38			
1 000	1 250	151	102	65	114	76	47			

Remark : The above table shows representative model numbers, but is applicable to all models.

Table 6 Measuring methods of accuracy

Item	Measuring methods	Illustrations of measuring method
<p>Twist of grooves with respect to effective length of the spline shaft (See Table 3.)</p>	<p>Fix and support the spline shaft. Then apply a torsional moment on the external cylinder (or the measuring unit) in a suitable direction before placing a dial gage probe in a perpendicular direction to the spline shaft and against the side face of the sunk key attached on the external cylinder. Measure the runout when the external cylinder and the gage have traveled together 100 millimeters on any effective part of the spline shaft. However, the gage should be applied as near as possible to the outer periphery of the external cylinder.</p>	
<p>(1) Radial runout of periphery of parts mounting part relative to axial line of supporting part of spline shaft (See Table 4 ①.)</p>	<p>While supporting the spline shaft at its supporting parts, place dial gage probes to the outer peripheral faces of the parts mounting parts, and measure the runout from one rotation of the spline shaft.</p>	
<p>(1) Perpendicularity of spline end face relative to axial line of supporting part of spline shaft (See Table 4 ②.)</p>	<p>While supporting the spline shaft at its supporting parts and at one spline shaft end, place a dial gage probe to the spline end face and measure the runout from one rotation of the spline shaft.</p>	
<p>Perpendicularity of mounting surface of flange relative to axial line of spline shaft (See Table 4 ③.)</p>	<p>While supporting the spline shaft at both center holes and at the outer peripheral face of the spline shaft adjacent to the external cylinder, and while fixing the external cylinder to the spline shaft, place a dial gage probe to the mounting surface of the flange of the external cylinder and measure the perpendicularity from runout caused by one rotation of the spline shaft.</p>	

<p>Total radial runout of axial line of spline shaft (See Table 5.)</p>	<p>While supporting the spline shaft at its supporting parts or at both center holes, place a dial gage probe to the external peripheral face of the external cylinder (or measuring unit), and measure the runout at several positions in the axial direction while turning the spline shaft one rotation. Use the maximum value.</p>	
---	--	--

Note(1) : This accuracy is applicable when special machining is done to the shaft ends.

Preload

The average amount of preload for **IKO** Linear Ball Spline is shown in Table 7. A summary of applicable preload types is shown in Table 8. For details, see the description of each series.

Table 7 Preload amount

Preload type	Item	Symbol	Preload amount N	Application
Clearance		T ₀	0 ⁽¹⁾	• Very smooth motion
Standard		(No symbol)	0 ⁽²⁾	• Smooth and precise motion
Light preload		T ₁	0.02C ₀	• Minimum vibration • Load is evenly balanced. • Smooth and precise motion

Note⁽¹⁾ : Zero or minimal amount of clearance
 Note⁽²⁾ : Zero or minimal amount of preload
 Remark : C₀ means the basic static load rating.

Table 8 Applicable preload types

Series	Preload (Symbol)	Clearance (T ₀)	Standard (No symbol)	Light preload (T ₁)
Linear Ball Spline G		○	☆	☆
Block type Linear Ball Spline		—	☆	☆

Remark : The mark ☆ indicates that it is also applicable to interchangeable specification products.

Special Specifications

IKO Linear Ball Splines of the special specifications shown in Table 9 are available. In some cases, special specifications may not be applicable. For details, see the description of each series. When a special specification is required, add the applicable supplemental code to the end of the identification number. When a combination of several special specifications is required, arrange their supplemental codes in alphabetical order.

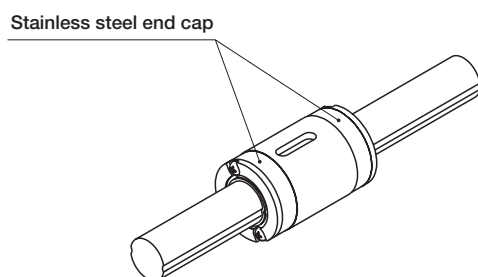
Table 9 Special specifications for Linear Ball Spline

Special specification	Supplemental code	Linear Ball Spline G	Block type Linear Ball Spline
Stainless steel end caps	BS	○	—
No end seal	N	☆	☆
With an oil hole	OH	☆	—
Capillary plates	Q	☆	—
Seals for special environment	RE	○	—
Spline shaft in stainless steel	S	○	—
With under seals	U	—	☆
Specified grease	Y	○	—

Remark 1 : The mark ☆ indicates that it is also applicable to interchangeable specification products.

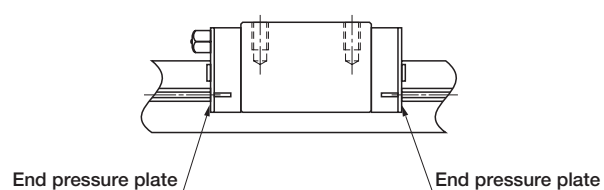
2 : For details of special specifications applicable to each series and their combinations, see the description of each series.

With stainless steel end caps /BS



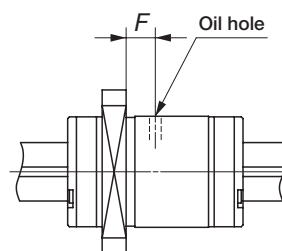
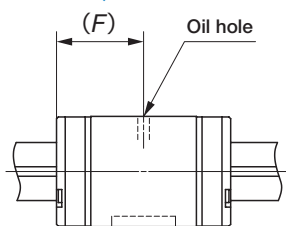
The standard synthetic resin end caps are replaced with stainless steel end caps, keeping the total length of external cylinder unchanged.

No end seal /N



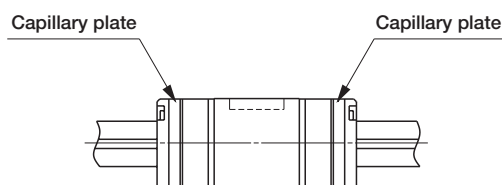
End seals at both ends of external cylinder or slide unit are replaced by end pressure plates (not in contact with the spline shaft) to reduce frictional resistance. This specification is not effective for dust protection.

With an oil hole /OH



An oil hole is provided on the external cylinder of Linear Ball Spline G.
For dimensions, see the description of each series.

Capillary plate /Q

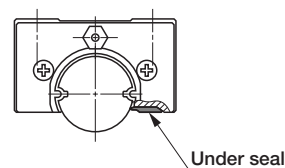


The capillary plate is assembled inside the end seal of the external cylinder. It is impregnated with lubricant so that re-lubrication interval can be made longer. For the total length of the external cylinder with capillary plate, see the description of each series.

Spline shaft in stainless steel /S

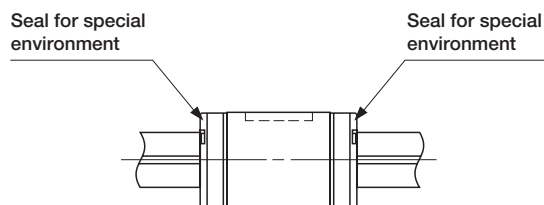
The material of solid spline shaft of Linear Ball Spline G is changed to stainless steel. The load rating will be obtained by multiplying the load rating for the high carbon steel spline shaft by a factor of 0.8.

With under seals /U



To prevent foreign substances intruding from the lower side of Block type Linear Ball Spline, seals are provided on the bottom faces of slide unit.

Seal for special environment /RE



The standard end seals are changed to seals for special environment that can be used at high temperature, keeping the total length of external cylinder unchanged.

Specified grease /YCG/YCL/YBR/YNG

The type of pre-packed grease can be changed by a supplemental code.

① /YCG

IKO Low Dust Generation Grease for Clean Environment CG2 is pre-packed.

② /YCL

IKO Low Dust Generation Grease for Clean Environment CGL is pre-packed.

③ /YBR

MOLYCOTE BR2 Plus Grease (Dow Corning) is pre-packed.

④ /YNG

No grease is pre-packed.

Lubrication and Dust Protection

IKO Linear Ball Spline is most generally lubricated with grease, which provides easy lubrication control. A grease nipple for grease replenishment is provided on the slide unit of Block type Linear Ball Spline. Parts such as piping joints are also available, and can be delivered if required.

IKO Linear Ball Spline is provided with special rubber seals for dust protection. But, if a large amount of fine contaminants are present, or if large particles of foreign matter may fall on the spline shaft, it is recommended to provide bellows and other protective covers.

The size 2, 3 and 4 models are not provided with seals.

When requiring the size 3 and 4 models with seals, consult **IKO** for further information.

● Pre-packed grease

A high quality lithium-soap base grease shown in Table 10 is pre-packed in **IKO** Linear Ball Spline. For the interval and amount of grease replenishment, see "General description".

Table 10 Pre-packed grease

Series	Pre-packed grease
Linear Ball Spline G	ALVANIA EP GREASE 2 (SHELL)
Block type Linear Ball Spline	MULTEMP PS No.2 (KYODO YUSHI)

● Parts for lubrication

The slide unit of Block type Linear Ball Spline is provided with a grease nipple or oil hole for grease replenishment. Table 11 shows applicable parts for lubrication.

However, Linear Ball Spline G is not provided with a grease nipple or oil hole. For re-lubrication of this type, apply grease directly to the raceways of the spline shaft.

Table 11 Parts for lubrication

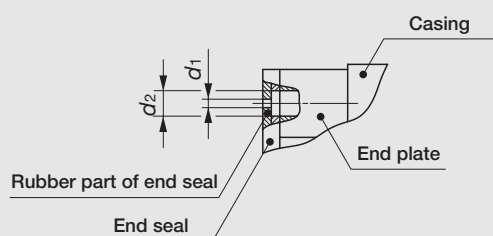
Series	Model code	Size	Grease nipple	
			Type	Applicable supply nozzle type
Block type Linear Ball Spline	LSB	6 8 10	Oil hole	Miniature greaser
		13 16 20	A-M3	A-5120V A-5240V B-5120V B-5240V
		25	A-M4	A-5120V A-5240V B-5120V B-5240V

Remark : The above table shows representative model codes, but is applicable to all models.
When "Oil hole" is described in the grease nipple column, an oil hole shown in Table 12 is provided in place of a grease nipple.

● Oil hole

Some models of Block type Linear Ball Spline are provided with an oil hole as shown in Table 12. (See also Table 11.) For grease replenishment, use a syringe type dispenser. The specially prepared miniature greaser is also available. For specifications of the miniature greaser, see page 99.

Table 12 Oil hole



unit : mm

Series name	Size	Oil hole	
		d_1	d_2
Block type Linear Ball Spline	6 8	0.5	1.2
	10	0.5	1.5

● Grease nipple and supply nozzle

Table 13 shows the specifications of grease nipples and applicable types of supply nozzles. For the specifications of supply nozzles, see page 95.

Type	Grease nipple Shape and dimension	Type	Applicable supply nozzle Shape
A-M3	<p>Width across flats 4</p> <p>M3</p>	A-5120V A-5240V B-5120V B-5240V	Straight type
A-M4	<p>Width across flats 4.5</p> <p>M4</p>		Straight type with angle

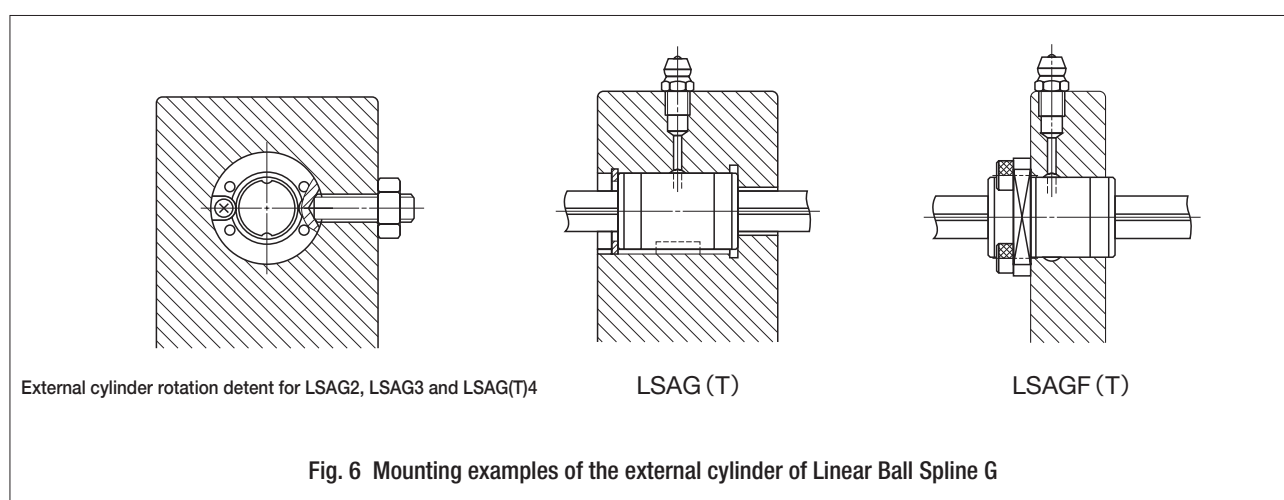
Precautions for Use

External cylinder fit

The normal fit between the external cylinder of Linear Ball Spline G and housing hole is the transition fit (J7). The clearance fit (H7) can be used, when the requirement for accuracy and rigidity is not very strict.

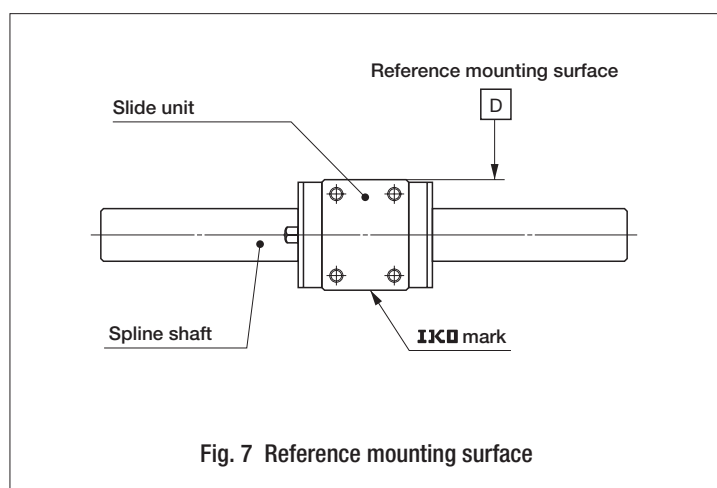
Standard mounting examples of Linear Ball Spline G

Fig. 6 shows the standard mounting examples of the external cylinder of Linear Ball Spline G. To prevent the rotation of the external cylinders of LSAG2, LSAG3 and LSAG(T)4, an M1.2 to M1.6 screw for LSAG2, an M1.6 to M2 screw for LSAG3 and an M2 to M2.5 screw for LSAG(T)4 are set to the countersink provided on each cylinder. Avoid deforming the external cylinder when tightening the screw.



Reference mounting surface of Block type Linear Ball Spline

To mount Block type Linear Ball Spline, correctly fit the reference mounting surface of the slide unit to the reference mounting surface of the table, and then fix them tightly. The slide unit reference mounting surface of Block type Linear Ball Spline is always the side surface opposite to the **IKO** mark. (See Fig. 7.)



Standard mounting example of Block type Linear Ball Spline

The outer peripheral surface of the spline shaft, and the reference mounting surface D and mounting surface C of the slide unit of Block type Linear Ball Spline are accurately finished by grinding as shown in Fig. 8. Stable and high accuracy linear motion can be obtained by finishing the mating mounting surfaces of machines or equipment with high accuracy and correctly mounting the Linear Ball Spline on these surfaces. It is recommended to make a relieved fillet at the corner of the mating reference mounting surface as shown in Table 14. Table 14 shows the recommended shoulder height of the mating reference mounting surface.

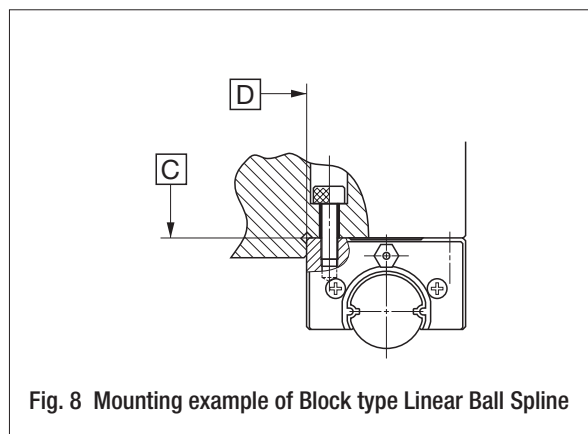
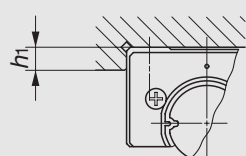


Table 14 Shoulder height of the mating reference mounting surface of Block type Linear Ball Spline

unit : mm



Model number	Shoulder height h_1
LSB 6	2
LSB 8	2.5
LSB 10	3
LSB 13	3.5
LSB 16	4
LSB 20	5
LSB 25	6

Remark : The above table shows representative model numbers, but is applicable to all models.

Additional machining of spline shaft end

The high carbon steel spline shaft is hardened by induction hardening. When additional machining on the shaft end is needed, make sure that the maximum diameter of the shaft end machining part does not exceed the dimension d_1 shown in the table of dimensions.

Spline shafts with special end shapes can be prepared upon request. Consult **IKO** for further information.

Multiple external cylinders or slide units in close distance

When using multiple external cylinders or slide units in close distance to each other, actual load may be greater than the calculated load depending on the accuracy of the mounting surfaces and the reference mounting surfaces of the machine. It is suggested in such cases to assume a greater load than the calculated load.



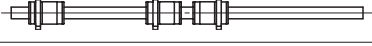

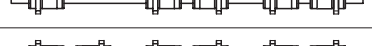

For Linear Ball Spline G, the key grooves of the external cylinders are aligned before delivery, when two or more external cylinders are assembled on a single spline shaft and two or more keys are used to fix the external cylinders in the rotational direction.

For Block type Linear Ball Spline, dimensional variations of *H* and *N* among a set can be specified upon request. Consult **IKO** for further information.

Arrangement of flange type external cylinders of Linear Ball Spline G (Non-interchangeable specification)

Multiple flange type external cylinders of non-interchangeable Linear Ball Spline G are arranged as shown in Table 15. Other arrangements are also available. Consult **IKO** for further information.

Table 15 Arrangement of flange type external cylinders of Linear Ball Spline G (Non-interchangeable specification)

Number of external cylinders	Arrangement of external cylinders
1	
2	
3	
4	
5	
6	

Operating temperature

The maximum operating temperature is 120°C and a continuous operation is possible at temperatures up to 100°C. When the temperature exceeds 100°C, consult **IKO**.

In case of "With capillary plates" of special specification, operate below 80°C.

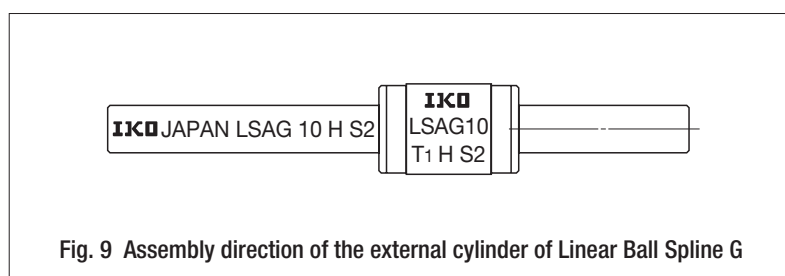
Precautions for Mounting

When mounting multiple sets at the same time

- Interchangeable specification product
Assemble an external cylinder (or a slide unit) and a spline shaft with the same interchangeable code ("S1" or "S2").
- Non-interchangeable specification product
Use an assembly of external cylinder and spline shaft as delivered without changing the combination.

Assembling an external cylinder (or a slide unit) and a spline shaft

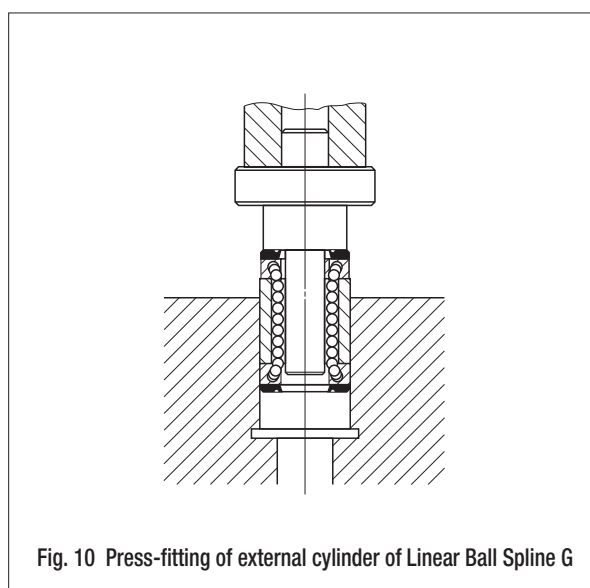
- Assembling Linear Ball Spline G
When assembling the external cylinder on the spline shaft, correctly fit the grooves of the external cylinder to the grooves of the spline shaft and move the external cylinder gently in parallel direction. Rough handling will result in seal damage or dropping of steel balls.
Non-interchangeable specification products are already assembled so as to provide the best accuracy when the external cylinder **IKO** mark and the spline shaft **IKO** mark face the same direction. (See Fig. 9.) So make sure not to change the assembly direction.



- Assembling Block type Linear Ball Spline
When assembling the slide unit on the spline shaft, handle them with care to prevent steel balls from falling out.

Mounting the external cylinder of Linear Ball Spline G

When press-fitting the external cylinder of Linear Ball Spline G to the housing, assemble them correctly using a press and a suitable jig fixture, etc. (See Fig. 10.)



Tightening torque of fixing bolts

The standard torque values for Block type Linear Ball Spline fixing bolts are shown in Table 16. When machines or equipment are subjected to severe vibration, shock, large fluctuating load, or moment load, the bolts should be tightened with a torque 1.2 to 1.5 times larger than the standard torque values shown. When the mating member material is cast iron or aluminum, tightening torque should be reduced in accordance with the strength characteristics of the material.

Table 16 Tightening torque

Bolt size	Tightening torque N·m	
	Carbon steel bolt (strength division 12.9)	Stainless steel bolt (property division A2-70)
M2 × 0.4	0.49	0.31
M3 × 0.5	1.7	1.1
M4 × 0.7	4.0	—
M5 × 0.8	7.9	—
M6 × 1	13.3	—



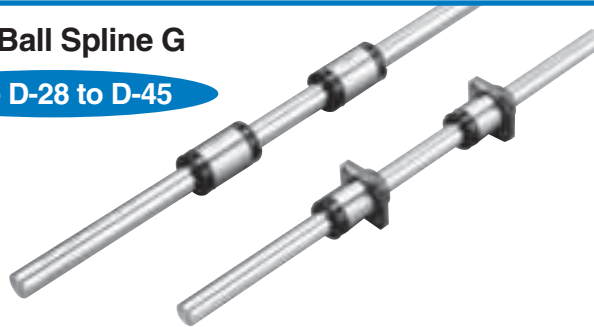
Linear Ball Splines

Description of each series and Table of dimensions

D

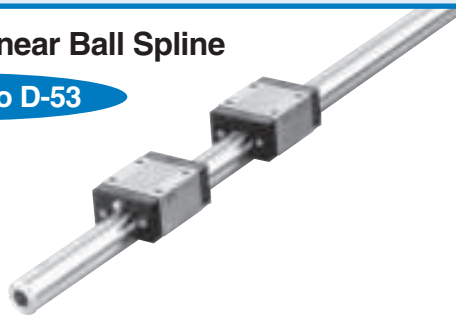
Linear Ball Spline G

Page D-28 to D-45



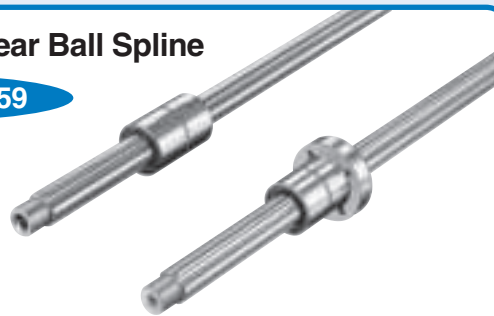
Block type Linear Ball Spline

Page D-46 to D-53



Angular type Linear Ball Spline

Page D-54 to D-59



In the table of dimensions, standard products are referred to using identification numbers marked with . The identification numbers marked with refer to our semi-standard products.

U.S. PATENTED

Linear Ball Spline G

LSAG/LSAGF

IKD Linear Ball Spline G is a linear motion rolling guide which achieves endless linear motion of an external cylinder along a spline shaft. Two rows of steel balls are arranged in four point contact with the raceways. Stable high accuracy and rigidity are ensured in operations even under fluctuating loads with changing direction and magnitude or complex loads. Owing to its simple design, this product is very compact.

Interchangeable

Linear Ball Spline G includes interchangeable specification products. The dimensions of external cylinders and spline shafts of this specification are individually controlled, so that the external cylinders and spline shafts can be combined, added or exchanged freely.

Standard type and flange type

External cylinders are available in two different shapes: the standard type (cylindrical shape) and the flange type.

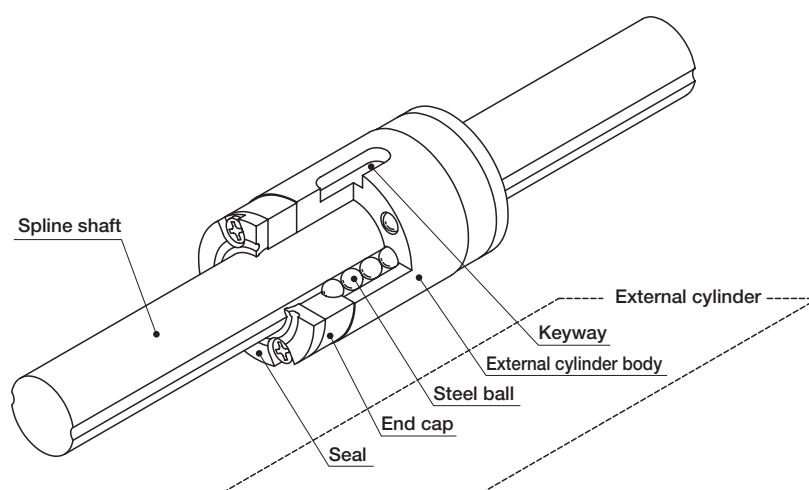
Length of external cylinder

External cylinders of both standard type and flange type are available in two different lengths: standard and high rigidity long. They can be selected for wide applications.

Solid shaft and hollow shaft

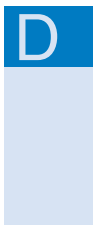
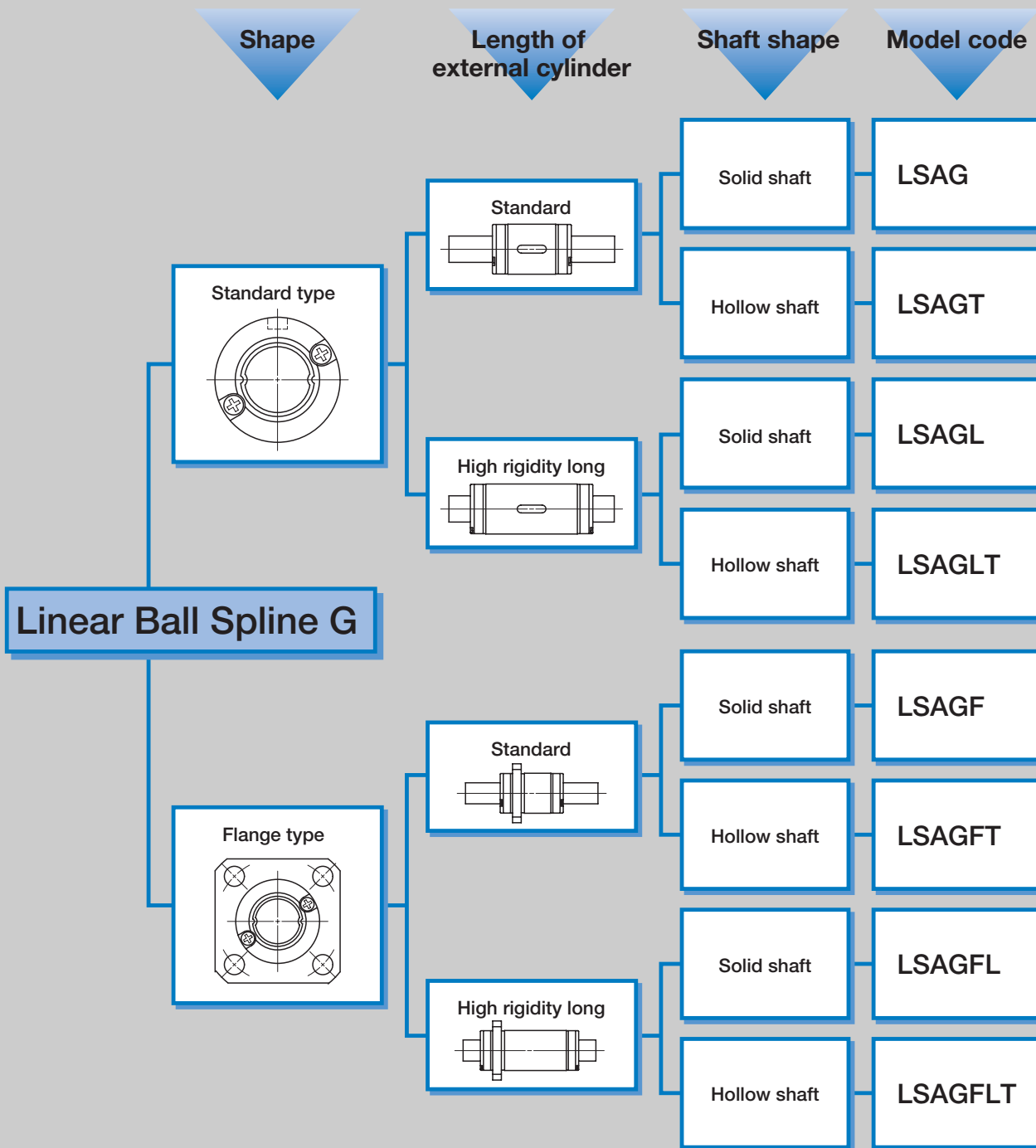
Two types of spline shaft, the solid shaft and the hollow shaft are available for selection suitable for each application.

U.S. PATENT No.6,190,046
No.6,082,899
No.4,799,803
No.4,505,522



Structure of Linear Ball Spline G

Linear Ball Spline G series

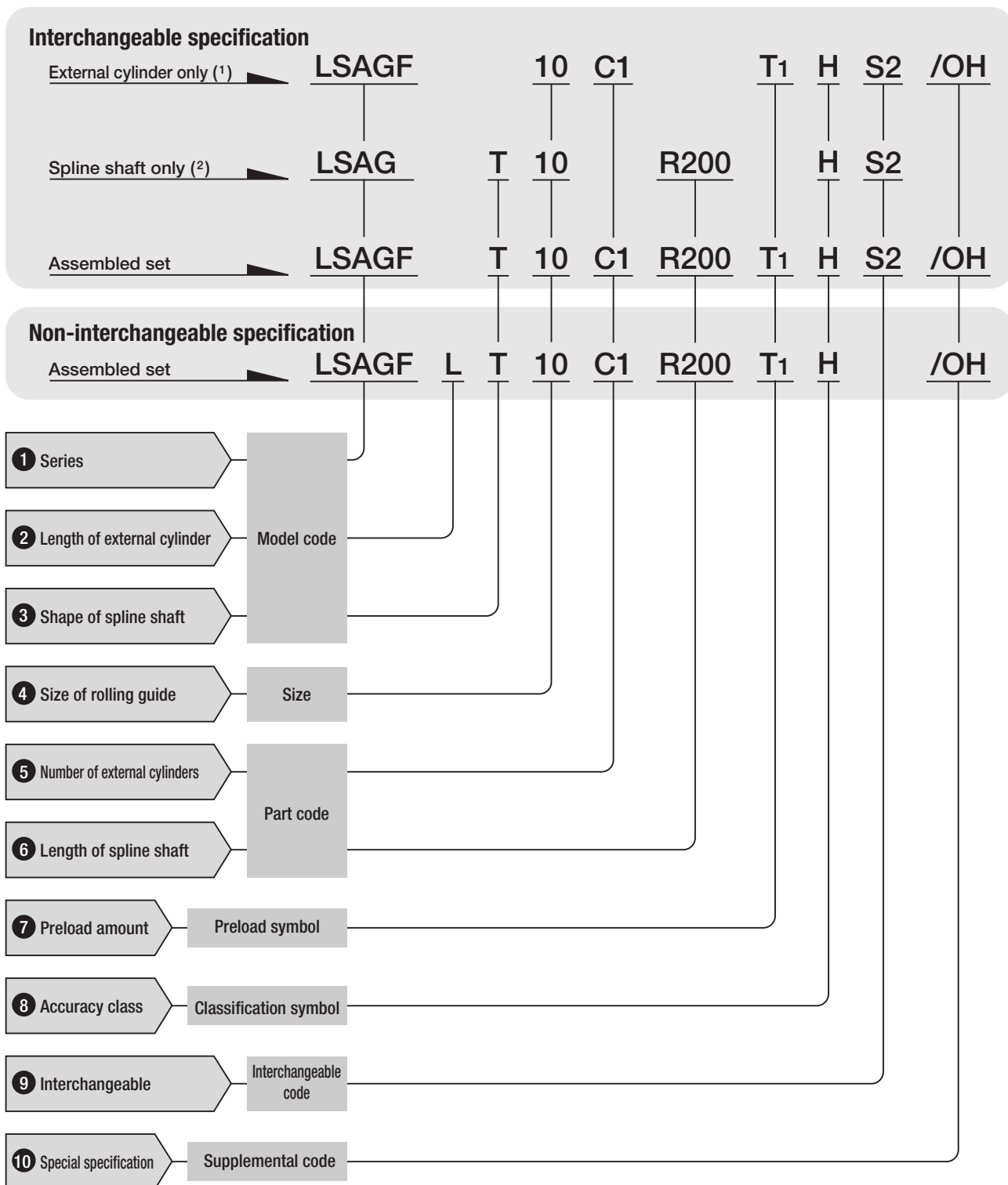


LSAG, LSAGF

1N=0.102kgf=0.2248lbs.
1mm=0.03937inch

● Identification number and specification

The specification of Linear Ball Spline G is indicated by the identification number, consisting of a model code, a size, a part code, a preload symbol, a classification symbol, an interchangeable code and any supplemental codes. For details of each specification, see page D-6.



Note(1) : For the model code of a single external cylinder of interchangeable specification, indicate "LSAG" (standard type) or "LSAGF" (flange type) regardless of the spline shaft type to be combined.

(2) : For the model code of a single spline shaft of interchangeable specification, indicate "LSAG" (solid shaft) or "LSAGT" (hollow shaft) regardless of the external cylinder type to be combined.

1 Series

Standard type : LSAG
 Flange type : LSAGF

2 Length of external cylinder

Standard : No symbol
 High rigidity long : L

3 Shape of spline shaft

Solid shaft : No symbol
 Hollow shaft : T

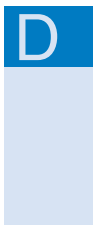
4 Size of rolling guide

For available external cylinder models, spline shaft models, and sizes, see Tables 1.1 and 1.2.

Table 1.1 Models and sizes of Linear Ball Spline G standard type

Model Size	Standard		High rigidity long	
	Solid shaft LSAG	Hollow shaft LSAGT	Solid shaft LSAGL	Hollow shaft LSAGLT
2	○	—	—	—
3	○	—	—	—
4	○	○	—	—
5	☆	☆	☆	☆
6	☆	☆	☆	☆
8	☆	☆	☆	☆
10	☆	☆	☆	☆
12	☆	☆	☆	☆
15	☆	—	☆	—
20	☆	—	☆	—
25	☆	—	☆	—
30	☆	—	☆	—
40	○	—	—	—
50	○	—	—	—

Remark : The mark ☆ indicates that interchangeable specification products are available.



LSAG, LSAGF

Table 1.2 Models and sizes of Linear Ball Spline G flange type

Model Size	Standard		High rigidity long	
	Solid shaft LSAGF	Hollow shaft LSAGFT	Solid shaft LSAGFL	Hollow shaft LSAGFLT
2	○	—	—	—
3	○	—	—	—
4	○	○	—	—
5	☆	☆	☆	☆
6	☆	☆	☆	☆
8	☆	☆	☆	☆
10	☆	☆	☆	☆
12	☆	☆	☆	☆
15	☆	—	☆	—
20	☆	—	☆	—
25	☆	—	☆	—
30	☆	—	☆	—
40	○	—	—	—

Remark : The mark ☆ indicates that interchangeable specification products are available.

5 Number of external cylinders

Assembled set : C○
External cylinder : C1

For an assembled set, indicate the number of external cylinders assembled on one spline shaft. For an external cylinder, only "C1" can be indicated.

6 Length of spline shaft

Assembled set : R○
Spline shaft : R○

Indicate the length of spline shaft in mm. For standard and maximum lengths, see the table of dimensions.

7 Preload amount

Clearance : T0
Standard : No symbol
Light preload : T1

Specify this item for an assembled set or a single external cylinder. For applicable preload amount, see Table 2. For details of preload amount, see page D-15.

Table 2 Applicable preload types

Size	Preload type (Symbol)		
	Clearance (T ₀)	Standard (No symbol)	Light preload (T ₁)
2	○	○	—
3	○	○	—
4	○	○	—
5	—	☆	☆
6	—	☆	☆
8	—	☆	☆
10	—	☆	☆
12	—	☆	☆
15	—	☆	☆
20	—	☆	☆
25	—	☆	☆
30	—	☆	☆
40	—	○	○
50	—	○	○

Remark : The mark ☆ indicates that it is also applicable to interchangeable specification products.

8 Accuracy class

Ordinary : No symbol For applicable accuracy, see Table 3. In case of interchangeable specification products, assemble external cylinders and spline shafts of the same class. For details of accuracy, see page D-11.

High : H

Precision : P

Table 3 Applicable accuracy classes

Size	Accuracy class (Symbol)		
	Ordinary (No symbol)	High (H)	Precision (P)
2	○	○	○
3	○	○	○
4	○	○	○
5	☆	☆	○
6	☆	☆	○
8	☆	☆	○
10	☆	☆	○
12	☆	☆	○
15	☆	☆	○
20	☆	☆	○
25	☆	☆	○
30	☆	☆	○
40	○	○	○
50	○	○	○

Remark : The mark ☆ indicates that it is also applicable to interchangeable specification products.

9 Interchangeable code

Select group 1 : S1
 Select group 2 : S2

Specify this item for interchangeable specification products. Assemble external cylinders and spline shafts with the same interchangeable code. Performance and accuracy of "S1" group and "S2" group are the same.

10 Special specification

For applicable special specifications, see Table 4. When several special specifications are combined, see Table 5. For details of special specifications, see page D-16.

Table 4 Special specifications

Special specifications	Supplemental code	Assembled set	External cylinder only	Spline shaft only	Dimension
With stainless steel end plates	BS	○(1)	—	—	
No end seal	N	☆(2)	☆	—	
Oil hole	OH	☆(3)	☆(3)	—	See Table 6.1 and 6.2.
Capillary plates	Q	☆(4)	☆(4)	—	See Table 7.
Seal for special environment	RE	○(1)	—	—	
Spline shaft in stainless steel	S	○(5)(6)	—	—	
Specified grease	Y	○(1)	—	—	

Note(1) : Applicable to size 5, 6, 8, 10, 12 and 15 models.
 (2) : Not applicable to size 2, 3 and 4 models.
 (3) : Not applicable to size 2 models.
 (4) : Applicable to size 5, 6, 8, 10 and 12 models.
 (5) : Not applicable to size 2, 3, 4, 40 and 50 models.
 (6) : Not applicable to the hollow shaft.

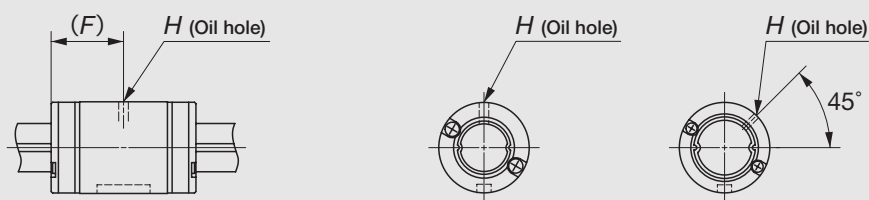
Remark : In the table, the mark ☆ indicates that it is also applicable to interchangeable specification products.

Table 5 Combination of special specifications

N	○					
OH	○	☆				
Q	○	☆	☆			
RE	○	—	○	○		
S	○	○	○	○	○	
Y	○	○	○	—	○	○
	BS	N	OH	Q	RE	S

Remark 1 : The mark ☆ indicates that it is also applicable to interchangeable specification products.
 2 : In the table, the mark — indicates that this combination cannot be made.
 3 : When several special specifications are required, arrange the supplemental codes alphabetically.

Table 6.1 Location and diameter of oil hole for standard type external cylinder (Supplemental code /0H)



LSAG 40

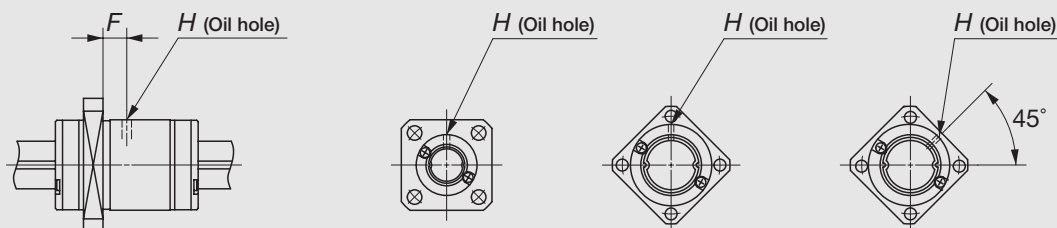
unit : mm

Model number	F	H	Model number	F	H
LSAG 3	5	1.2	LSAG 15	20	2
LSAG 4	6	1.5	LSAG 20	25	3
LSAG 5	9		LSAG 25	30	
LSAG 6	10.5		LSAG 30	35	
LSAG 8	12.5	2	LSAG 40	50	—
LSAG 10	15		LSAG 50	—	
LSAG 12	17.5		—	—	

Model number	F	H	Model number	F	H
—	—	—	LSAGL 15	32.5	2
—	—	—	LSAGL 20	35.5	3
LSAGL 5	13	1.5	LSAGL 25	42	
LSAGL 6	15		LSAGL 30	49	
LSAGL 8	18.5		—	—	—
LSAGL 10	23.5	2	—	—	—
LSAGL 12	27		—	—	—

Remark : Also applicable to assembled sets of LSAGT and LSAGLT.

Table 6.2 Location and diameter of oil hole for flange type external cylinder (Supplemental code /0H)



LSAGF (L) 30

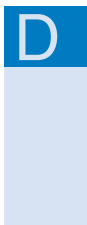
LSAGF 40

unit : mm

Model number	F	H	Model number	F	H
LSAGF 3	2.1	1.2	LSAGF 12	7.5	2
LSAGF 4	2.8	1.5	LSAGF 15	9	
LSAGF 5	2.8		LSAGF 20	11	3
LSAGF 6	3.5		LSAGF 25	13	
LSAGF 8	3.5	LSAGF 30	14		
LSAGF 10	5	2	LSAGF 40	23.4	—

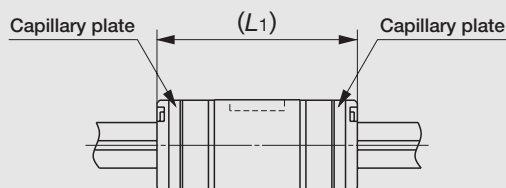
Model number	F	H	Model number	F	H
—	—	—	LSAGFL 12	17	2
—	—	—	LSAGFL 15	21.4	
LSAGFL 5	5.8	1.5	LSAGFL 20	21.5	3
LSAGFL 6	8		LSAGFL 25	25	
LSAGFL 8	9.5		LSAGFL 30	28	
LSAGFL 10	13.3	2	—	—	—

Remark : Also applicable to assembled sets of LSAGFT and LSAGFLT.



LSAG, LSAGF

Table 7 External cylinder with Capillary plates (Supplemental code /Q)



Model number	L_1
LSAG 5	24
LSAGL 5	32
LSAG 6	27
LSAGL 6	36
LSAG 8	33
LASGL 8	45

Model number	L_1
LSAG 10	38
LSAGL 10	55
LSAG 12	43
LASGL 12	62

● Moment of inertia of sectional area and section modulus of spline shaft

Moment of inertia of sectional area and section modulus of the spline shaft are shown in Table 8.

Table 8 Moment of inertia of sectional area and section modulus of spline shaft

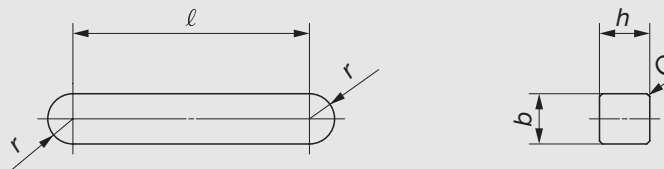
Size	Moment of inertia of sectional area mm^4		Section modulus mm^3	
	Solid shaft	Hollow shaft	Solid shaft	Hollow shaft
2	0.60	—	0.65	—
3	3.6	—	2.5	—
4	12	12	6	6
5	29	29	12	12
6	61	61	21	21
8	190	190	49	49
10	470	460	95	94
12	990	960	170	160
15	1 590	—	240	—
20	5 110	—	570	—
25	12 100	—	1 080	—
30	25 400	—	1 890	—
40	91 000	—	4 930	—
50	223 000	—	9 660	—

● Dimensions of key

The keys shown in Table 9 are appended to Linear Ball Spline G standard type.

However, no keys are appended to LSAG2, LSAG3, LSAG4 and LSAGT4. For details of fixing, see page D-21.

Table 9 Dimensions of key



unit : mm

Model number	<i>b</i>	Tolerance	<i>h</i>	Tolerance	<i>l</i>	<i>r</i>	<i>C</i>
LSAG 5	2	+0.016 +0.006	2	0 -0.025	3.8	1	0.16~0.25
LSAG 6					5.8		
LSAG 8	2.5		3		7.8	1.5	
LSAG 10	3				11.8		
LSAG 12	3.5		+0.024 +0.012		3.5	0 -0.030	
LSAG 15	4	4		21.5	2		
LSAG 20	5	5		23.5			2.5
LSAG 25	7	+0.030 +0.015	7	0 -0.036	27.5	3.5	0.25~0.4
LSAG 30	10		8		44.3		
LSAG 40	15	+0.036 +0.018	10		34.3	7.5	0.4 ~0.6
LSAG 50							

Remark : The above table shows representative model numbers but is applicable to all standard types of the same size.

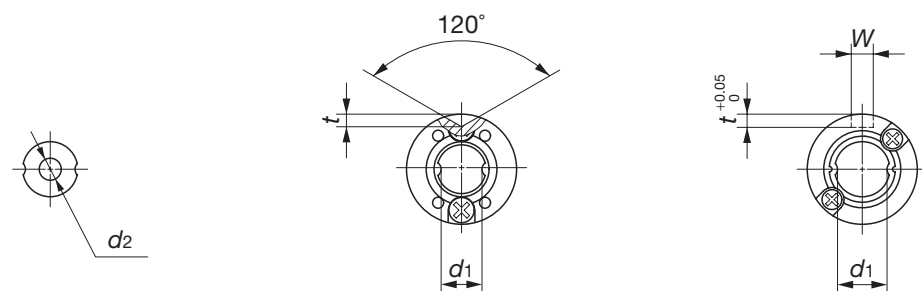
D

LSAG, LSAGF

IKO Linear Ball Spline G : Standard type

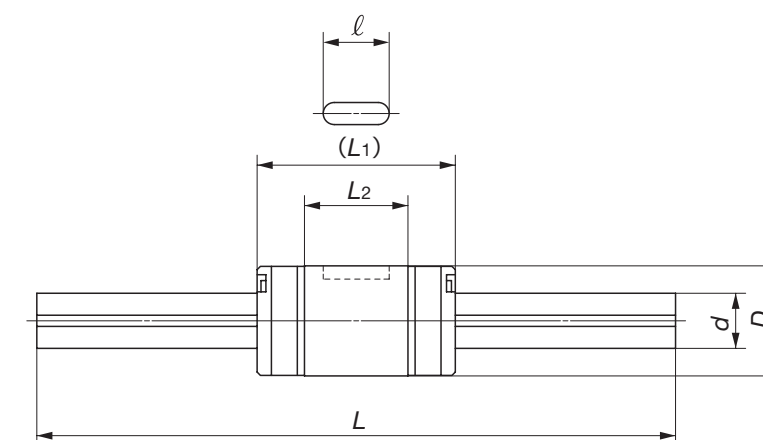


LSAG • LSAGT • LSAGL • LSAGLT



Bore dia. of hollow shaft

LSAG 2
LSAG 3
LSAG (T) 4



Model number	Interchangeable	Mass (Ref.) g		Dimensions and tolerances of external cylinder mm							
		External cylinder	Spline shaft (per 100 mm)	D	Tolerance	L1	L2	W	Tolerance	t	ℓ
LSAG 2 ⁽¹⁾		1.0	2.3	6	$\begin{matrix} 0 \\ -0.008 \end{matrix}$	8.5	4.7	—	—	0.7	—
LSAG 3 ⁽¹⁾		2.1	5.4	7	$\begin{matrix} 0 \\ -0.009 \end{matrix}$	10	5.9	—	—	0.8	—
LSAG 4 ⁽¹⁾		2.5	9.6	8	$\begin{matrix} 0 \\ -0.009 \end{matrix}$	12	7.9	—	—	1	—
LSAGT 4 ⁽¹⁾			8.2								
LSAG 5	☆	4.8	14.9	10	$\begin{matrix} 0 \\ -0.009 \end{matrix}$	18	9.4	2	$\begin{matrix} +0.014 \\ 0 \end{matrix}$	1.2	6
LSAGT 5	☆		12.4								
LSAGL 5	☆	7.9	14.9	26	16.9	2	$\begin{matrix} +0.014 \\ 0 \end{matrix}$	2	$\begin{matrix} +0.014 \\ 0 \end{matrix}$	1.2	8
LSAGLT 5	☆		12.4								
LSAG 6	☆	8.9	19	12	$\begin{matrix} 0 \\ -0.011 \end{matrix}$	21	12.4	2	$\begin{matrix} +0.014 \\ 0 \end{matrix}$	1.2	8
LSAGT 6	☆		16.5								
LSAGL 6	☆	14.5	19	30	21.4	2	$\begin{matrix} +0.014 \\ 0 \end{matrix}$	2	$\begin{matrix} +0.014 \\ 0 \end{matrix}$	1.2	8
LSAGLT 6	☆		16.5								
LSAG 8	☆	15.9	39	15	$\begin{matrix} 0 \\ -0.011 \end{matrix}$	25	14.6	2.5	$\begin{matrix} +0.014 \\ 0 \end{matrix}$	1.5	8.5
LSAGT 8	☆		33								
LSAGL 8	☆	26.5	39	37	26.6	2.5	$\begin{matrix} +0.014 \\ 0 \end{matrix}$	2.5	$\begin{matrix} +0.014 \\ 0 \end{matrix}$	1.5	8.5
LSAGLT 8	☆		33								

Note⁽¹⁾ : No seals are attached.

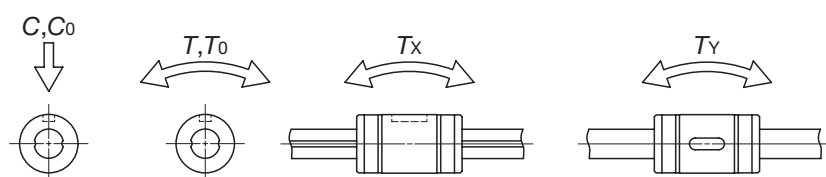
⁽²⁾ : Dimension d₁ indicates the maximum diameter when machining is done at the shaft ends.

⁽³⁾ : This length is the standard length. Spline shafts in other length are also available. Simply indicate the necessary length of spline shaft in mm in the identification number.

⁽⁴⁾ : The directions of basic dynamic load rating (C), basic static load rating (C₀), dynamic torque rating (T) and static torque/moment rating (T₀, T_x, T_y) are shown in the sketches below.

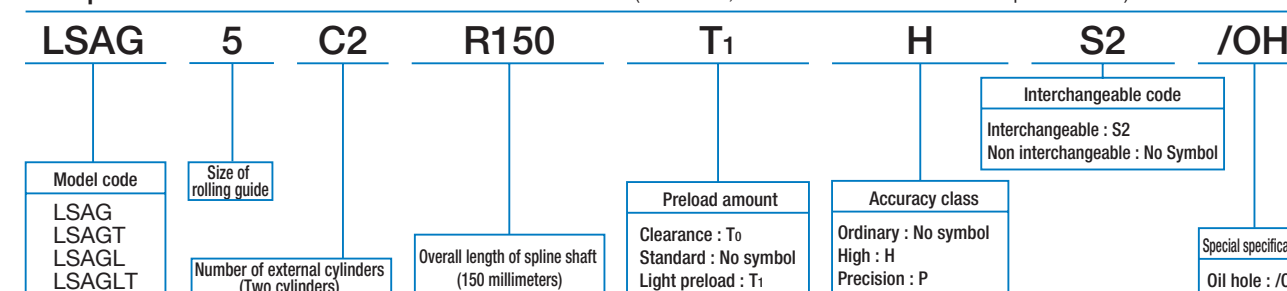
The upper values in the T_x and T_y columns apply to one external cylinder, and the lower values apply to two external cylinders in close contact.

Remark : The mark ☆ indicates that interchangeable specification products are available.



Dimensions and tolerance of spline shaft mm						Basic dynamic load rating ⁽⁴⁾ C N	Basic static load rating ⁽⁴⁾ C ₀ N	Dynamic torque rating ⁽⁴⁾ T N·m	Static torque rating ⁽⁴⁾ T ₀ N·m	Static moment rating ⁽⁴⁾							
d	Tolerance	d ₁ ⁽²⁾	d ₂	L ⁽³⁾	Maximum length					T _x N·m	T _y N·m						
2	$\begin{matrix} 0 \\ -0.010 \end{matrix}$	1.2	—	50 100	100	222	237	0.28	0.30	0.22 1.6	0.39 2.9						
3	$\begin{matrix} 0 \\ -0.010 \end{matrix}$	2.2	—	100 150	150	251	285	0.45	0.51	0.31 1.9	0.53 3.3						
4	$\begin{matrix} 0 \\ -0.012 \end{matrix}$	3.2	—	100 150	200	303	380	0.70	0.87	0.52 2.9	0.90 5.0						
			1.5		150												
5	$\begin{matrix} 0 \\ -0.012 \end{matrix}$	4.2	—	100 150	200	587	641	1.8	1.9	1.0 7.9	1.8 13.6						
			2									2					
			—										879	1 180	2.6	3.5	3.2 19.3
6	$\begin{matrix} 0 \\ -0.012 \end{matrix}$	5.2	—	150 200	300	711	855	2.5	3.0	1.7 11.7	3.0 20.3						
			2									2					
			—										1 030	1 500	3.6	5.2	5.0 27.6
8	$\begin{matrix} 0 \\ -0.015 \end{matrix}$	7	—	150 200	500	1 190	1 330	5.5	6.2	3.3 22.0	5.6 38.1						
			3		400												
			—		500							1 800	2 470	8.4	11.5	10.3 56.3	17.8 97.5
			3		400												

Example of identification number of assembled set (For details, see "Identification number and specification".)



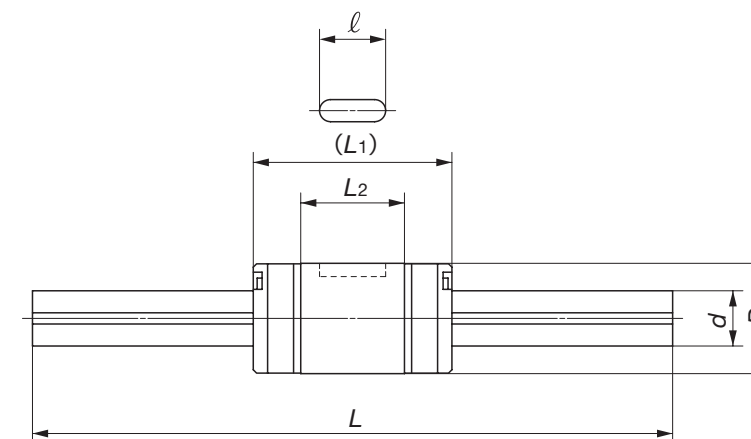
IKO Linear Ball Spline G : Standard type



LSAG • LSAGT • LSAGL • LSAGLT

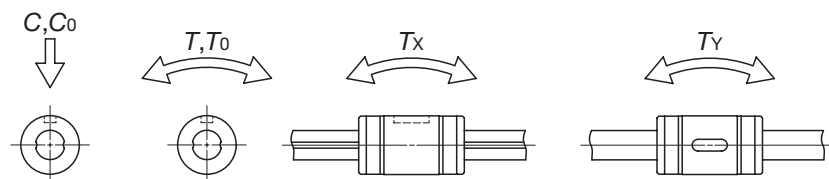


Bore dia. of hollow shaft



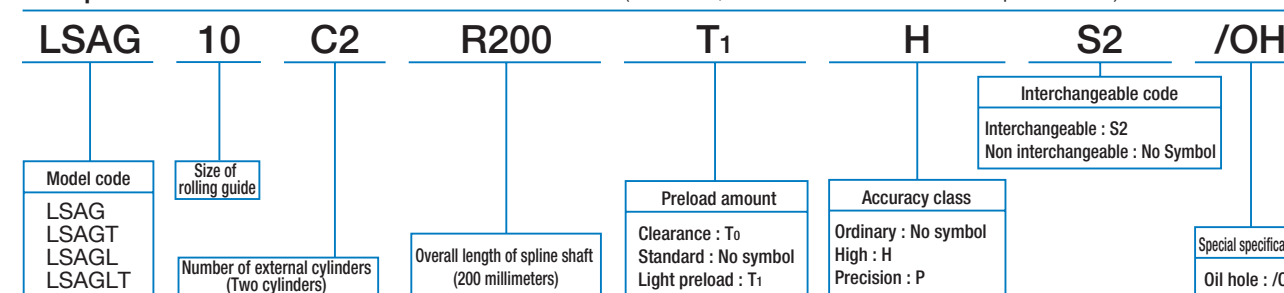
Model number	Interchangeable	Mass (Ref.) g		Dimensions and tolerances of external cylinder mm								d	Tolerance
		External cylinder	Spline shaft (per 100 mm)	D	Tolerance	L ₁	L ₂	W	Tolerance	t	ℓ		
LSAG 10	☆	31.5	60.5	19	0 -0.013	30	18.2	3	+0.014 0	1.8	11	10	0 -0.015
LSAGT 10	☆		51										
LSAGL 10	☆	56.5	60.5	21	0 -0.013	47	34.9	3	+0.014 0	1.8	15	12	0 -0.018
LSAGLT 10	☆		51										
LSAG 12	☆	44	87.5	23	0 -0.013	40	27	3.5	+0.018 0	2	20	13.6	0 -0.018
LSAGT 12	☆		66										
LSAGL 12	☆	76.8	87.5	30	0 -0.016	50	33	4	+0.018 0	2.5	26	18.2	0 -0.021
LSAGLT 12	☆		66										
LSAG 15	☆	59.5	111	37	0 -0.016	60	39.2	5	+0.018 0	3	29	22.6	0 -0.021
LSAGL 15	☆	110											
LSAG 20	☆	130	202	45	0 -0.016	70	43	7	+0.022 0	4	35	27.2	0 -0.021
LSAGL 20	☆	198											
LSAG 25	☆	220	310	60	0 -0.019	100	70.8	10	+0.022 0	4.5	55	37.2	0 -0.025
LSAGL 25	☆	336											
LSAG 30	☆	430	450	75	0 -0.019	100	66.4	15	+0.027 0	5	50	46.6	0 -0.025
LSAGL 30	☆	634											
LSAG 40		760	808										
LSAG 50		1 140	1 320										

Note(1) : Dimension d₁ indicates the maximum diameter when machining is done at the shaft ends.
 (2) : This length is the standard length. Spline shafts in other length are also available. Simply indicate the necessary length of spline shaft in mm in the identification number.
 (3) : The directions of basic dynamic load rating (C), basic static load rating (C₀), dynamic torque rating (T) and static torque/moment rating (T₀, T_x, T_y) are shown in the sketches below.
 The upper values in the T_x and T_y columns apply to one external cylinder, and the lower values apply to two external cylinders in close contact.
 Remark : The mark ☆ indicates that interchangeable specification products are available.



Dimensions and tolerance of spline shaft mm				Basic dynamic load rating ⁽³⁾	Basic static load rating ⁽³⁾	Dynamic torque rating ⁽³⁾	Static torque rating ⁽³⁾	Static moment rating ⁽³⁾			
d ₁ ⁽¹⁾	d ₂	L ⁽²⁾		C	C ₀	T	T ₀	T _x	T _y		
			Maximum length	N	N	N·m	N·m	N·m	N·m		
8.9	—	200	300	1 880	2 150	10.9	12.5	7.0	12.1		
	4									41.5	71.9
	—										
10.9	—	200	300 400	2 180	2 690	14.8	18.3	10.6	18.3		
	6									59.1	102
	—										
11.6	—	200	300 400	4 180	6 070	31.3	45.6	27.8	33.2		
	6							152	181		
								—	94.0	112	
15.7	—	300	400 500	6 600	9 040	66.0	90.4	48.6	58.0		
	6							288	343		
								—	127	151	
19.4	—	300	400 500	11 200	14 300	139	178	92.8	111		
	6							551	656		
								—	229	273	
23.5	—	400	500 600	15 400	19 400	231	292	147	176		
	6							874	1 040		
								—	364	434	
33.5	—	400	500 600	21 300	31 600	320	474	364	434		
	6							1 900	2 260		
								—	1 940	2 310	
42.0	—	400	500 600	28 300	36 100	707	904	389	464		
	6							2 300	2 740		
								—			

Example of identification number of assembled set (For details, see "Identification number and specification".)

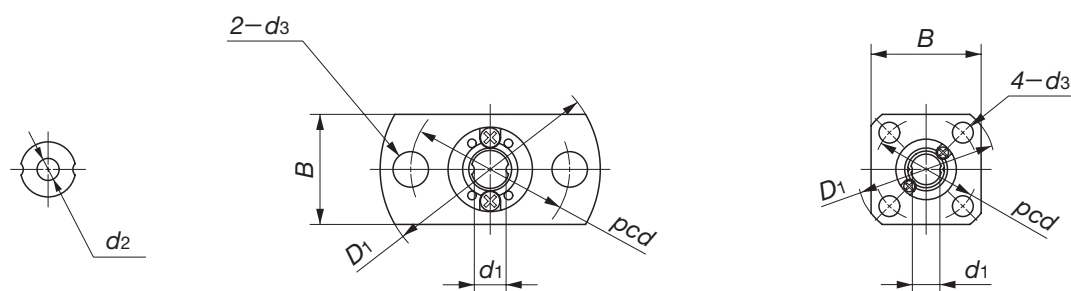


1N=0.102kgf=0.2248lbs.
1mm=0.03937inch

IKO Linear Ball Spline G : Flange type

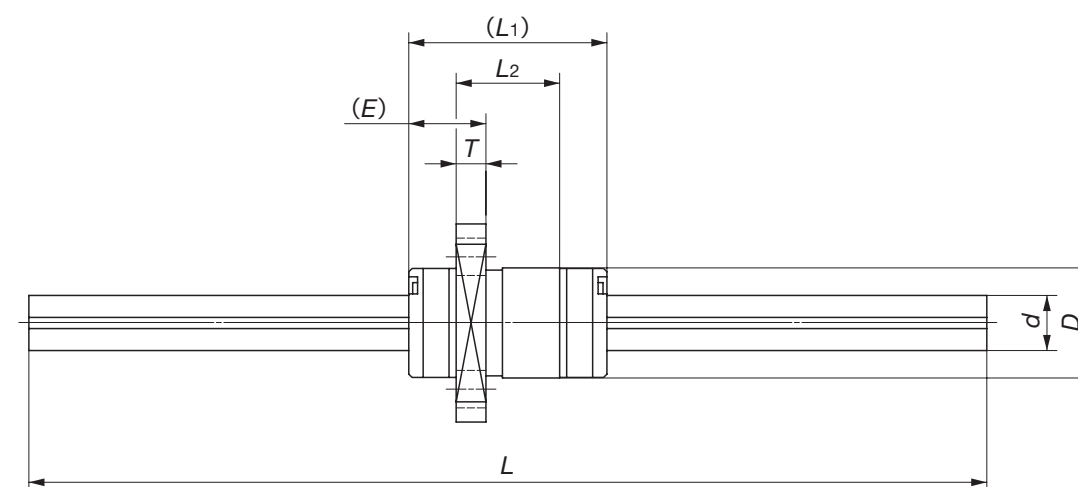


LSAGF • LSAGFT • LSAGFL • LSAGFLT



Bore dia. of hollow shaft

LSAGF 2
LSAGFT 3
LSAGFL (T) 4



Model number	Interchangeable	Mass (Ref.) g		Dimensions and tolerance of external cylinder mm									
		External cylinder	Spline shaft (per 100 mm)	D	Tolerance	L1	L2	D1	B	E	T	pcd	d3
LSAGF 2(1)		1.9	2.3	6	0 -0.008	8.5	4.7	15.5	8	3.4	1.5	11	2.4
LSAGF 3(1)		3.7	5.4	7	0 -0.009	10	5.9	18	9	4	1.9	13	2.9
LSAGF 4(1)		5.1	9.6	8	0 -0.009	12	7.9	21	10	4.6	2.5	15	3.4
LSAGFT 4(1)			8.2										
LSAGF 5	☆	8.9	14.9	10	0 -0.009	18	9.4	23	18	7	2.7	17	3.4
LSAGFT 5	☆		12.4										
LSAGFL 5	☆	12	14.9	10	0 -0.009	26	16.9	25	20	7	2.7	19	3.4
LSAGFLT 5	☆		12.4										
LSAGF 6	☆	13.9	19	12	0 -0.011	21	12.4	25	20	7	2.7	19	3.4
LSAGFT 6	☆		16.5										
LSAGFL 6	☆	19.5	19	12	0 -0.011	30	21.4	25	20	7	2.7	19	3.4
LSAGFLT 6	☆		16.5										
LSAGF 8	☆	23.5	39	15	0 -0.011	25	14.6	28	22	9	3.8	22	3.4
LSAGFT 8	☆		33										
LSAGFL 8	☆	34.1	39	15	0 -0.011	37	26.6	28	22	9	3.8	22	3.4
LSAGFLT 8	☆		33										

Note(1) : No seals are attached.

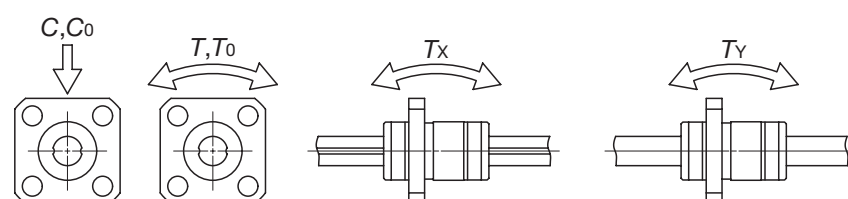
(2) : Dimension d1 indicates the maximum diameter when machining is done at the shaft ends.

(3) : This length is the standard length. Spline shafts in other length are also available. Simply indicate the necessary length of spline shaft in mm in the identification number.

(4) : The directions of basic dynamic load rating (C), basic static load rating (Co), dynamic torque rating (T) and static torque/moment rating (T0, Tx, Ty) are shown in the sketches below.

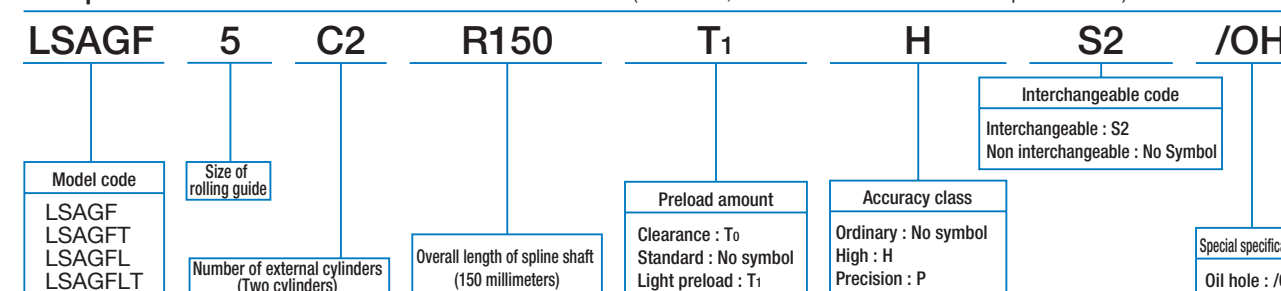
The upper values in the Tx and Ty columns apply to one external cylinder, and the lower values apply to two external cylinders in close contact.

Remark : The mark ☆ indicates that interchangeable specification products are available.



Dimensions and tolerance of spline shaft mm						Basic dynamic load rating(4) C N	Basic static load rating(4) Co N	Dynamic torque rating(4) T N·m	Static torque rating(4) T0 N·m	Static moment rating(4)		
d	Tolerance	d1(2)	d2	L(3)	Maximum length					Tx N·m	Ty N·m	
2	0 -0.010	1.2	-	50 100	100	222	237	0.28	0.30	0.22 1.6	0.39 2.9	
3	0 -0.010	2.2	-	100 150	150	251	285	0.45	0.51	0.31 1.9	0.53 3.3	
4	0 -0.012	3.2	-	100 150	200	303	380	0.70	0.87	0.52 2.9	0.90 5.0	
			1.5		150							
5	0 -0.012	4.2	-	100 150	200	587	641	1.8	1.9	1.0 7.9	1.8 13.6	
			2									2
			-									
6	0 -0.012	5.2	-	150 200	300	711	855	2.5	3.0	1.7 11.7	3.0 20.3	
			2									2
			-									
8	0 -0.015	7	-	150 200 250	500	1 190	1 330	5.5	6.2	3.3 22.0	5.6 38.1	
			3		400							
			-									
			3									500

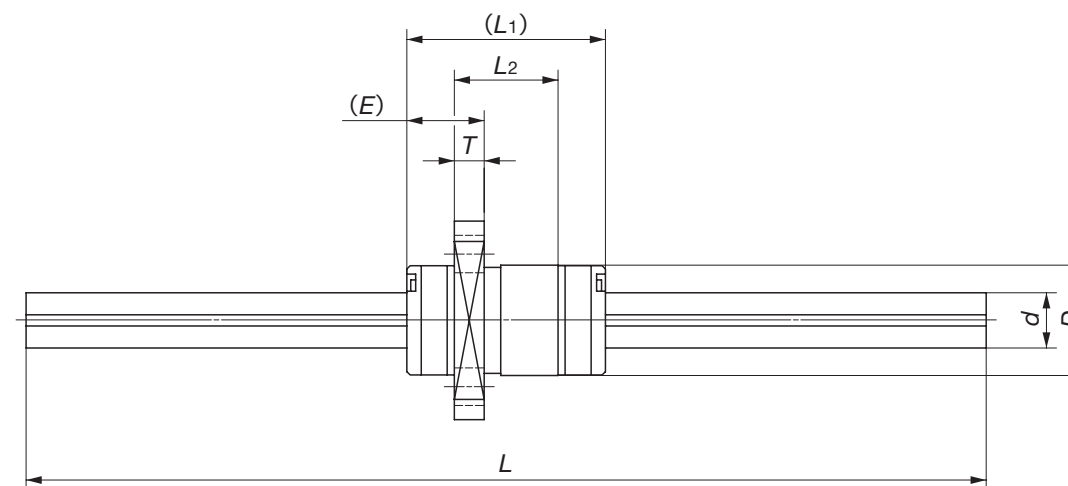
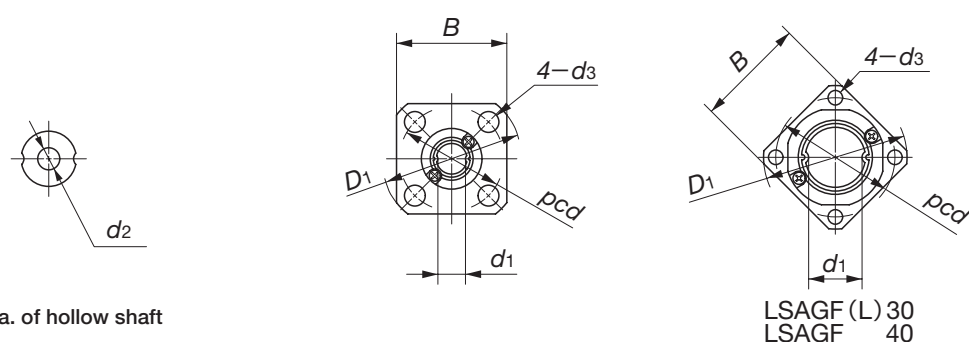
Example of identification number of assembled set (For details, see "Identification number and specification".)



IKO Linear Ball Spline G : Flange type

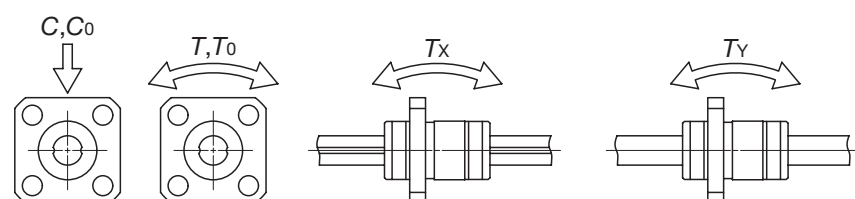


LSAGF • LSAGFT • LSAGFL • LSAGFLT



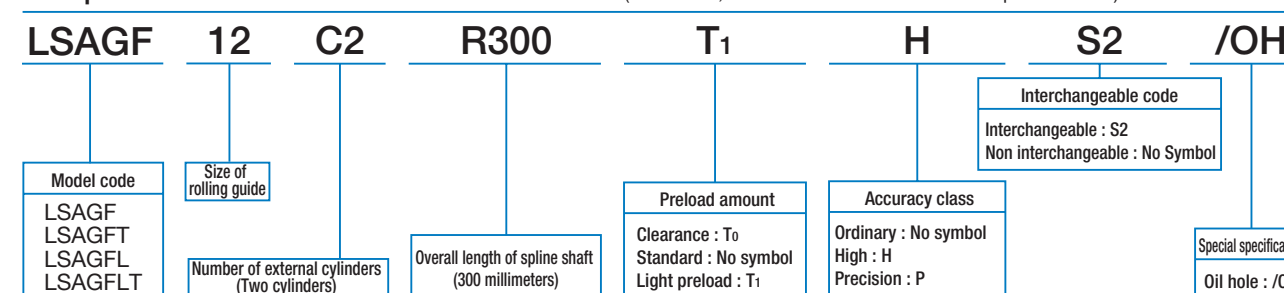
Model number	Interchangeable	Mass (Ref.) g		Dimensions and tolerance of external cylinder mm											
		External cylinder	Spline shaft (per 100 mm)	D	Tolerance	L1	L2	D1	B	E	T	pcd	d3	d	Tolerance
LSAGF 10	☆	45	60.5	19	0 -0.013	30	18.2	36	28	10	4.1	28	4.5	10	0 -0.015
LSAGFT 10	☆		51			47	34.9								
LSAGFL 10	☆	70.1	60.5	21	0 -0.013	35	23	38	30	10	4	30	4.5	12	0 -0.018
LSAGFLT 10	☆		51			54	42								
LSAGF 12	☆	59	87.5	23	0 -0.013	40	27	40	31	11	4.5	32	4.5	13.6	0 -0.018
LSAGFT 12	☆		66			65	52								
LSAGFL 12	☆	91.8	87.5	30	0 -0.016	50	33	46	35	14	5.5	38	4.5	18.2	0 -0.021
LSAGFLT 12	☆		66			71	54								
LSAGF 15	☆	77	111	37	0 -0.016	60	39.2	57	43	17	6.6	47	5.5	22.6	0 -0.021
LSAGFT 15	☆		128			84	63.2								
LSAGFL 15	☆	150	202	45	0 -0.016	70	43	65	50	21	7.5	54	6.6	27.2	0 -0.021
LSAGFLT 15	☆		218			98	71								
LSAGF 20	☆	255	310	60	0 -0.019	100	70.8	93	73	26.6	12	73	9	37.2	0 -0.025
LSAGFT 20	☆		371			93	70.8								
LSAGFL 20	☆	218	202	45	0 -0.016	70	43	65	50	21	7.5	54	6.6	27.2	0 -0.021
LSAGFLT 20	☆		218			98	71								
LSAGF 25	☆	310	450	60	0 -0.019	100	70.8	93	73	26.6	12	73	9	37.2	0 -0.025
LSAGFT 25	☆		371			93	70.8								
LSAGFL 25	☆	218	202	45	0 -0.016	70	43	65	50	21	7.5	54	6.6	27.2	0 -0.021
LSAGFLT 25	☆		218			98	71								
LSAGF 30	☆	962	808	60	0 -0.019	100	70.8	93	73	26.6	12	73	9	37.2	0 -0.025
LSAGFT 30	☆		808			93	70.8								
LSAGFL 30	☆	218	202	45	0 -0.016	70	43	65	50	21	7.5	54	6.6	27.2	0 -0.021
LSAGFLT 30	☆		218			98	71								
LSAGF 40	☆	962	808	60	0 -0.019	100	70.8	93	73	26.6	12	73	9	37.2	0 -0.025
LSAGFT 40	☆		808			93	70.8								

Note(1) : Dimension d_1 indicates the maximum diameter when machining is done at the shaft ends.
 (2) : This length is the standard length. Spline shafts in other length are also available. Simply indicate the necessary length of spline shaft in mm in the identification number.
 (3) : The directions of basic dynamic load rating (C), basic static load rating (C₀), dynamic torque rating (T) and static torque/moment rating (T₀, T_x, T_y) are shown in the sketches below.
 The upper values in the T_x and T_y columns apply to one external cylinder, and the lower values apply to two external cylinders in close contact.
 Remark : The mark ☆ indicates that interchangeable specification products are available.



Dimensions and tolerance of spline shaft mm				Basic dynamic load rating ⁽³⁾ C N	Basic static load rating ⁽³⁾ C ₀ N	Dynamic torque rating ⁽³⁾ T N·m	Static torque rating ⁽³⁾ T ₀ N·m	Static moment rating ⁽³⁾		
d ₁ ⁽¹⁾	d ₂	L ⁽²⁾						Maximum length	T _x N·m	T _y N·m
8.9	—	200	300	600	1 880	2 150	10.9	12.5	7.0	12.1
	4								41.5	71.9
	—								22.7	39.3
10.9	—	200	300	400	2 850	4 040	16.6	23.4	115	200
	4								115	200
	—								22.7	39.3
11.6	—	200	300	400	4 180	6 070	31.3	45.6	27.8	33.2
	6								152	181
	—								94.0	112
15.7	—	300	400	500	6 600	9 040	66.0	90.4	48.6	58.0
	6								288	343
	—								127	151
19.4	—	300	400	500	9 270	15 100	92.7	151	620	738
	6								620	738
	—								127	151
23.5	—	400	500	600	11 200	14 300	139	178	92.8	111
	6								551	656
	—								229	273
33.5	—	400	500	600	15 400	19 400	231	292	147	176
	6								874	1 040
	—								364	434
33.5	—	400	500	600	21 300	31 600	320	474	1 900	2 260
	6								1 900	2 260
	—								364	434
33.5	—	400	500	600	21 300	31 600	426	632	1 940	2 310
	6								1 940	2 310
	—								364	434

Example of identification number of assembled set (For details, see "Identification number and specification".)



U.S. PATENTED

Block type Linear Ball Spline

LSB

IKD Block type Linear Ball Spline is a linear motion rolling guide, featuring a slide unit which performs endless linear motion along a spline shaft. Two rows of steel balls are arranged in four point contact with the raceways. This design ensures stable high accuracy and rigidity in operations even under fluctuating loads with changing direction and magnitude or complex loads.

Interchangeable

All models in this series are interchangeable specification products. The dimensions of slide units and spline shafts are individually controlled, so that the spline shafts and slide units can be combined, added or exchanged freely.

Stainless steel type

The stainless steel type has excellent corrosion resistance and is most suitable for machines and equipment used in clean environments, for example, medical equipment, measuring instruments, and semiconductor manufacturing equipment.

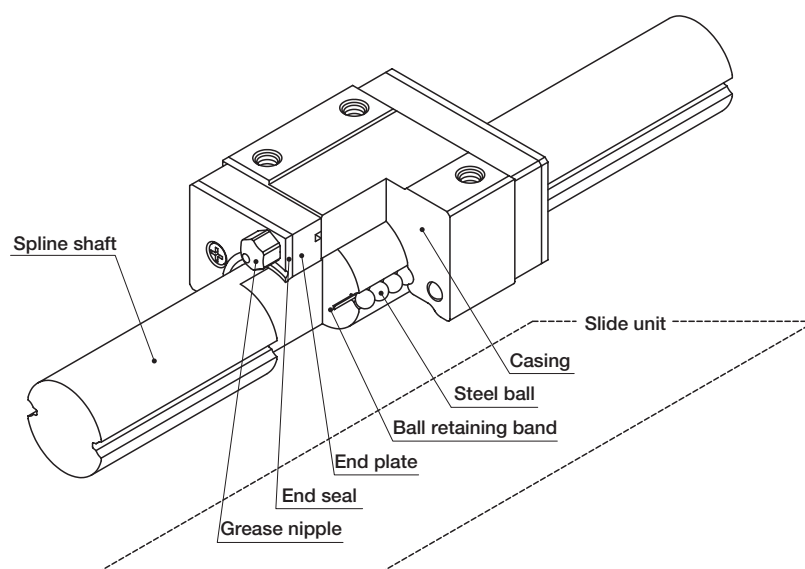
Easy mounting

The slide unit is provided with threaded mounting holes for easy mounting on machines or equipment with bolts.

Hollow shaft

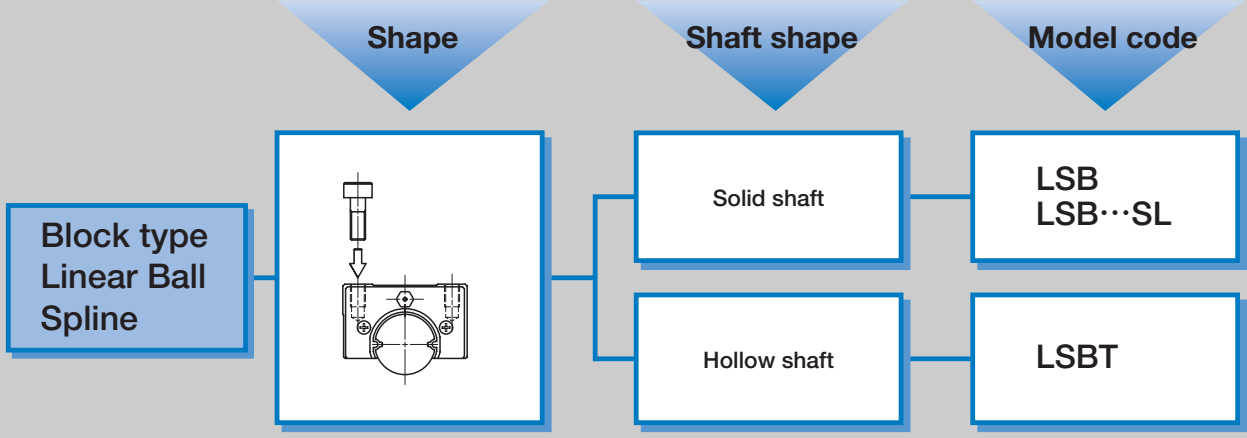
In high carbon steel type, hollow shafts are also available in addition to solid shafts. The hollow shafts are suitable for applications in which piping, wiring or ventilation is needed.

U.S. PATENT No.5,490,729
No.4,505,522



Structure of Block type Linear Ball Spline

Block type Linear Ball Spline series



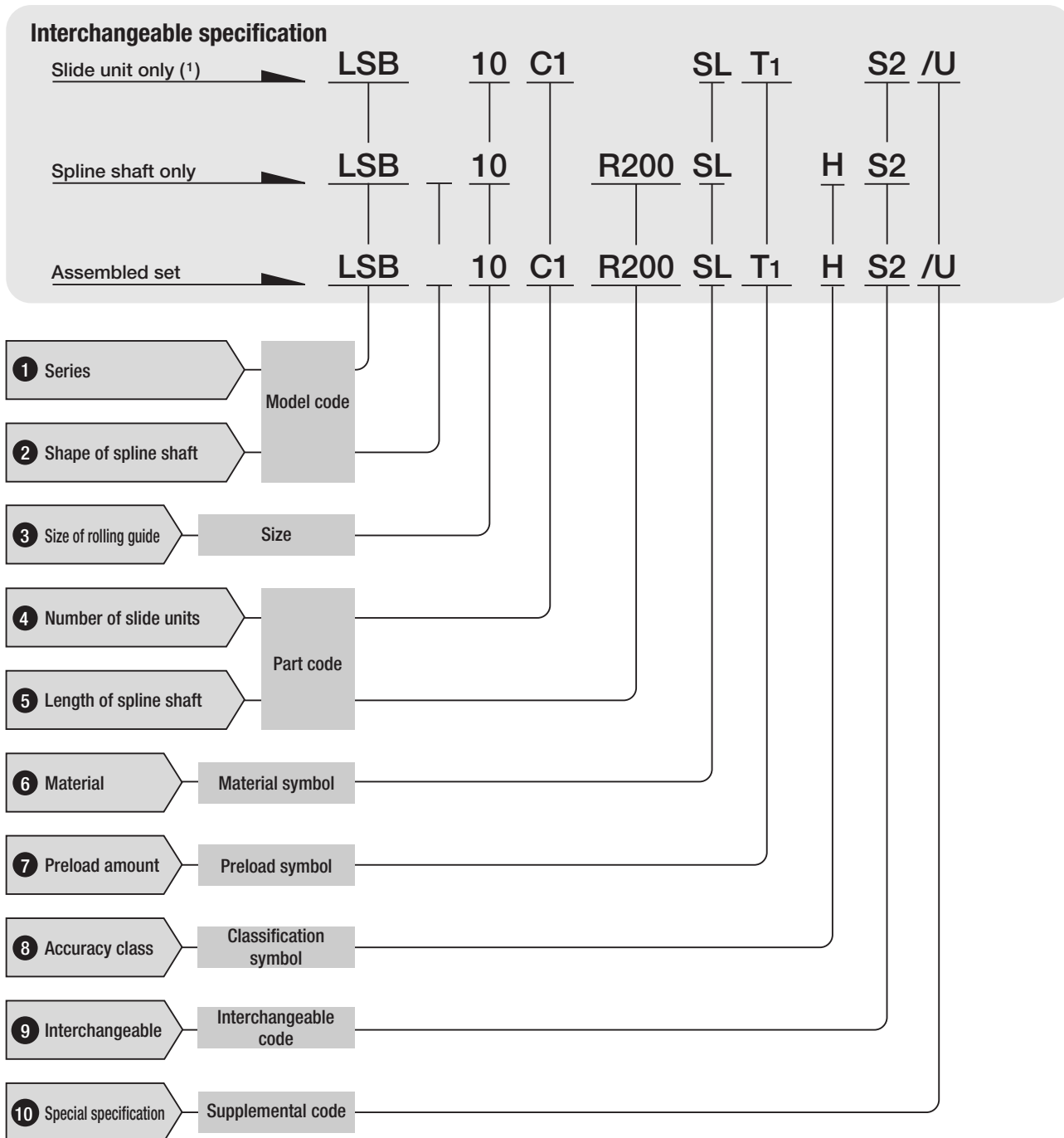
Remark : Models with "SL" are stainless steel type.

D
LSB

1N=0.102kgf=0.2248lbs.
1mm=0.03937inch

● Identification number and specification

The specification of Block type Linear Ball Spline is indicated by the identification number, consisting of a model code, a size, a part code, a material symbol, a preload symbol, a classification symbol, an interchangeable code and any supplemental codes. For details of each specification, see page D-6.



Note(1) : For the model code of a single slide unit, indicate "LSB" regardless of the spline shaft type to be combined.

<p>1 Series</p>	<p>LSB</p>	
<p>2 Shape of spline shaft</p>	<p>Solid shaft : No symbol Hollow shaft : T</p>	<p>For available slide unit models, materials and sizes, see Table 1.1. For available spline shaft models, materials and sizes, see Table 1.2.</p>
<p>3 Size of rolling guide</p>		
<p>4 Number of slide units</p>	<p>Assembled set : C○ Slide unit : C1</p>	<p>For an assembled set, indicate the number of slide units assembled on one spline shaft. For a slide unit, only "C1" can be indicated.</p>
<p>5 Length of spline shaft</p>	<p>Assembled set : R○ Spline shaft : R○</p>	<p>Indicate the length of spline shaft in mm. For standard and maximum lengths of spline shafts, see the table of dimensions.</p>
<p>6 Material</p>	<p>High carbon steel made : No symbol Stainless steel made : SL</p>	<p>For available material types, see Tables 1.1 and 1.2.</p>



LSB

Table 1.1 Models and sizes of slide unit of Block type Linear Ball Spline

Size \ Model	High carbon steel made	Stainless steel made
	LSB...C1...S1 LSB...C1...S2	LSB...C1 SL...S1 LSB...C1 SL...S2
6	—	☆
8	—	☆
10	—	☆
13	☆	—
16	☆	—
20	☆	—
25	☆	—

Remark : For the slide units of size 6, 8, and 10 models, only the stainless steel type is available. If high carbon steel type is specified in the identification number of assembled set, only the spline shaft will be high carbon steel type.

Table 1.2 Models and sizes of spline shaft of Block type Linear Ball Spline

Size \ Model	High carbon steel made		Stainless steel made
	Solid shaft LSB...R...S1 LSB...R...S2	Hollow shaft LSBT...R...S1 LSBT...R...S2	Solid shaft LSB...R SL...S1 LSB...R SL...S2
6	☆	☆	☆
8	☆	☆	☆
10	☆	☆	☆
13	☆	☆	—
16	☆	☆	—
20	☆	☆	—
25	☆	☆	—

7 Preload amount

Standard : No symbol Specify this item for an assemble set or a single slide unit. For applicable preload types, see Table 2. For details of preload amount, see page D-15.
 Light preload : T1

Table 2 Applicable preload types

Size	Standard (No symbol)	Light preload (T ₁)
6	☆	—
8	☆	☆
10	☆	☆
13	☆	☆
16	☆	☆
20	☆	☆
25	☆	☆

8 Accuracy class

Ordinary : No symbol Specify this item for an assemble set or a single spline shaft. For details of accuracy, see page D-11.
 High : H

9 Interchangeable code

Select group 1 : S1 Assemble slide units and spline shafts with the same interchangeable code.
 Select group 2 : S2 Performance and accuracy of "S1" group and "S2" group are the same.

10 Special specification

For applicable special specifications, see Table 3.
 For details of special specifications, see page D-16.

Table 3 Special specifications of Block type Linear Ball Spline

Special specification	Supplemental code
No end seal	N
With under seals	U

Remark 1 : Applicable to a single slide unit and an assembled set.
 2 : "No end seal" and "With under seals" cannot be combined.

● Moment of inertia of sectional area and section modulus of spline shaft

Moment of inertia of sectional area and section modulus of the spline shaft are shown in Table 4.

Table 4 Moment of inertia of sectional area and section modulus of spline shaft

Size	Moment of inertia of sectional area mm ⁴		Section modulus mm ³	
	Solid shaft	Hollow shaft	Solid shaft	Hollow shaft
6	55	54	19	19
8	170	170	44	43
10	440	420	90	87
13	1 220	1 160	190	180
16	2 830	2 630	360	340
20	7 110	6 620	730	680
25	17 600	15 100	1 440	1 230

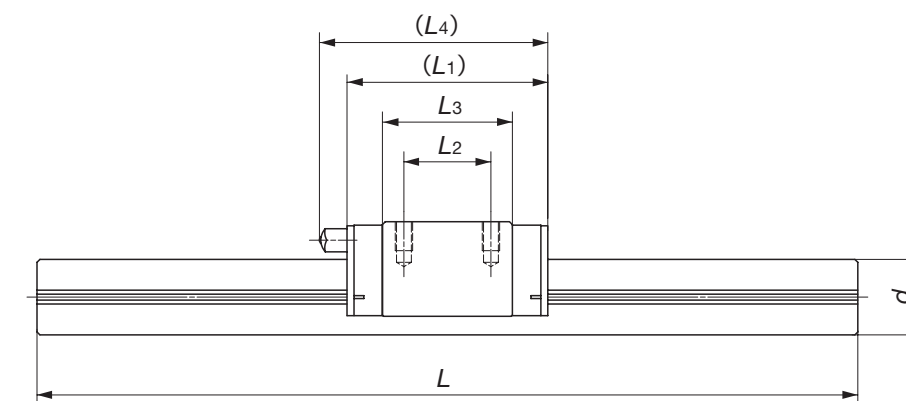
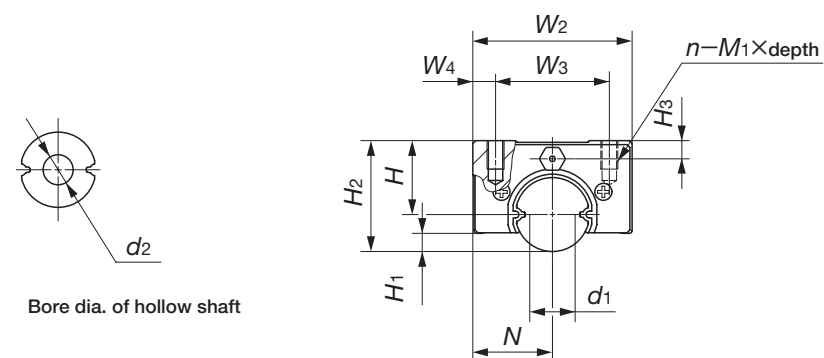
D

LSB

IKO Block type Linear Ball Spline



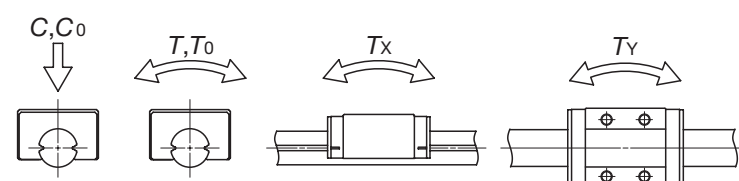
LSB • LSBT



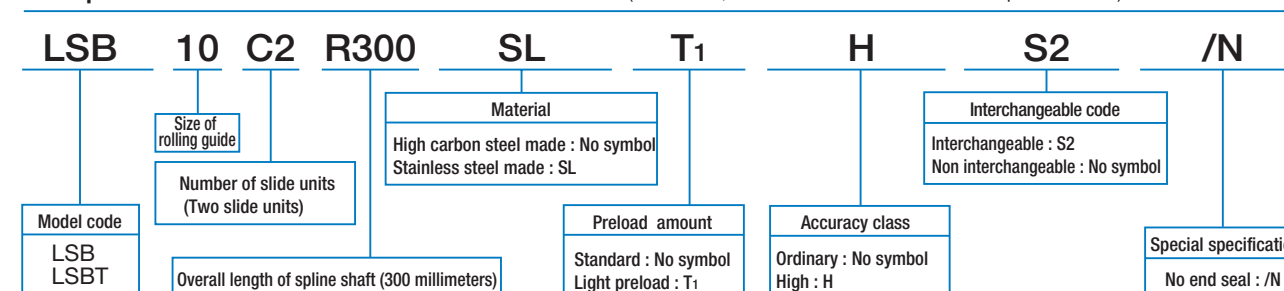
Model number	Interchangeable	Mass (Ref.) g		Dimensions of assembly mm				Dimensions of slide unit mm								
		Slide unit	Spline shaft (per 100 mm)	H	H ₁	H ₂	N	W ₂	W ₃	W ₄	L ₁	L ₂	L ₃	L ₄	n-M ₁ ×depth	H ₃
LSB 6	☆	7.6	21.2	6	1.1	9	6.5	13	8	2.5	19	—	12.5	—	2-M2× 3	1.5
LSBT 6	☆		18.8													
LSB 6...SL	☆		21.2													
LSB 8	☆	18	37.6	8	1.3	12	9	18	12	3	25	8	15.6	—	4-M3× 3	1.5
LSBT 8	☆		32.1													
LSB 8...SL	☆		37.6													
LSB 10	☆	34	59.7	10	1.9	15	10.5	21	15	3	31	10	21.2	—	4-M3× 4	2.5
LSBT 10	☆		49.8													
LSB 10...SL	☆		59.7													
LSB 13	☆	62	100	13	3.2	19.5	14	28	20	4	35	15	22.4	40	4-M3× 5	3.2
LSBT 13	☆		77.9													
LSB 16	☆	112	152	16	4.2	24	16.5	33	25	4	43	20	28.8	48	4-M4× 6	4
LSBT 16	☆		113													
LSB 20	☆	215	240	20	5.8	30	20	40	30	5	53	25	37.3	58	4-M5×10	5
LSBT 20	☆		178													
LSB 25	☆	403	376	25	6	37.5	26	52	40	6	67	30	41.8	70	4-M6×12	6
LSBT 25	☆		237													

Dimensions and tolerance of spline shaft mm						Basic dynamic load rating ⁽⁴⁾ C N	Basic static load rating ⁽⁴⁾ C ₀ N	Dynamic torque rating ⁽⁴⁾ T N·m	Static torque rating ⁽⁴⁾ T ₀ N·m	Static moment rating ⁽⁴⁾	
d	Tolerance ⁽¹⁾	d ₁ ⁽²⁾	d ₂	L ⁽³⁾	Maximum length					T _x N·m	T _y N·m
6	0 -0.012	3.7	2	150 200	300	612	1 130	1.8	3.4	2.4 13.3	2.0 11.2
						489	907	1.5	2.7	1.9 10.7	1.6 8.9
8	0 -0.015	5	3	150 200 250	500	1 200	1 960	4.8	7.8	4.9 31.4	4.1 26.3
					400	963	1 570	3.9	6.3	3.9 25.1	3.3 21.1
					500	1 610	2 860	8.1	14.3	9.4 55.0	7.9 46.2
10	0 -0.015	6.9	4	200 300	600	1 290	2 290	6.5	11.4	7.5 44.0	6.3 36.9
						1 610	2 860	8.1	14.3	9.4 55.0	7.9 46.2
13	0 -0.018	9	6	200 300 400	800	2 960	4 450	19.2	28.9	16.0 99.9	13.4 83.8
						4 390	6 730	35.1	53.9	30.8 183	25.9 153
16	0 -0.018	11.4	8	200 300 400	1 000	5 830	9 420	58.3	94.2	54.6 310	45.8 260
						9 360	13 900	122	181	99.2 587	99.2 587
20	0 -0.021	15	10	300 400 500 600	1 000	9 360	13 900	122	181	99.2 587	99.2 587
						13 900	21 200	157	241	157 1000	112 750
25	0 -0.021	19.3	15	300 400 500 600 800	1 200	13 900	21 200	157	241	157 1000	112 750
						21 200	33 800	212	321	212 1300	157 1000

Note⁽¹⁾ : Not applicable to the hollow shaft (LSBT).
⁽²⁾ : Dimension d₁ indicates the maximum diameter when machining is done at the shaft ends.
⁽³⁾ : This length is the standard length. Spline shafts in other length are also available. Simply indicate the necessary length of spline shaft in mm in the identification number.
⁽⁴⁾ : The directions of basic dynamic load rating (C), basic static load rating (C₀), dynamic torque rating (T) and static torque/moment rating (T₀, T_x, T_y) are shown in the sketches below.
 The upper values in the T_x and T_y columns apply to one slide unit, and the lower values apply to two slide units in close contact.
 Remark 1 : All Block type Linear Ball Splines are interchangeable specification products.
 2 : Models LSB6, LSBT6, LSB6...SL, LSB8, LSBT8, LSB8...SL, LSB10, LSBT10 and LSB10...SL are provided with an oil hole.
 For grease nipple and oil hole specifications, see page D-19.



Example of identification number of assembled set (For details, see "Identification number and specification".)



U.S. PATENTED

Angular type Linear Ball Spline

LSA/LSAF

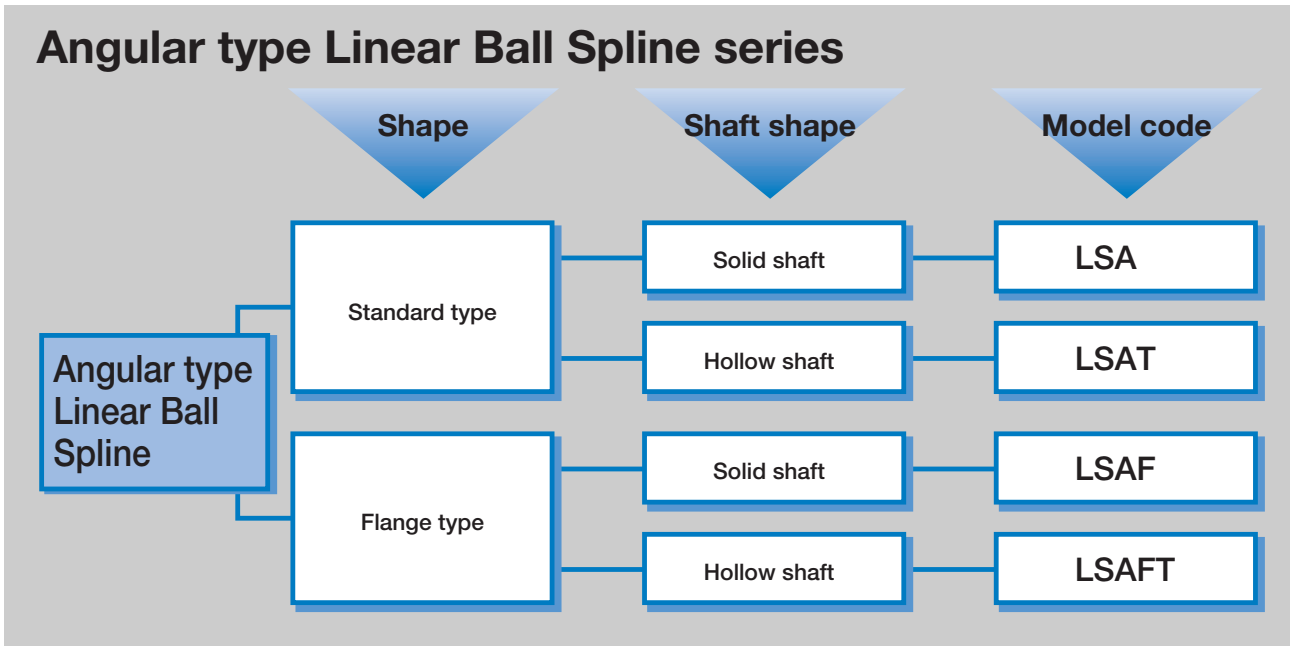
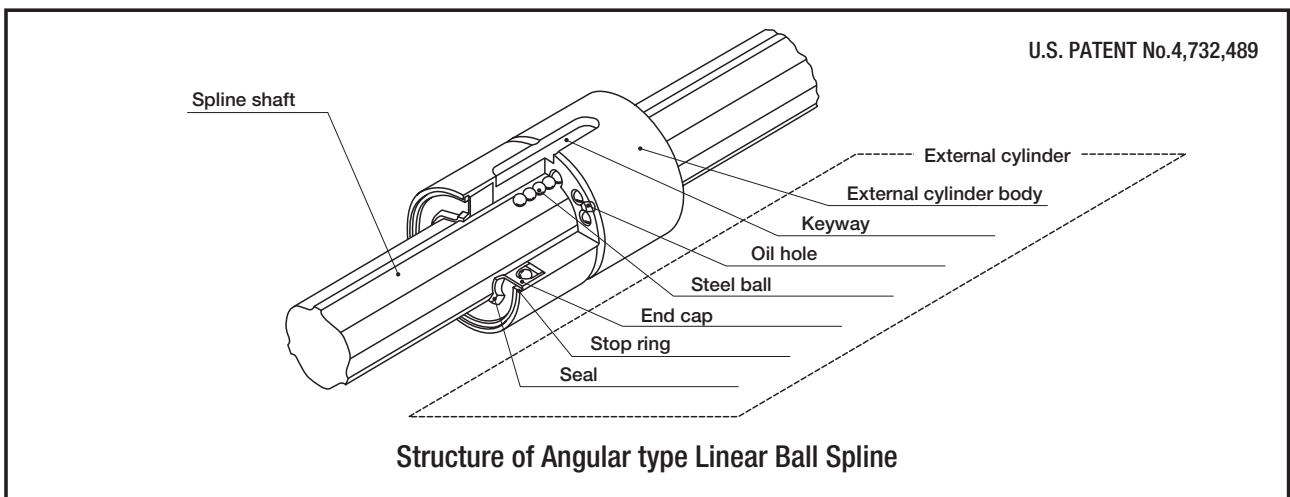
IKD Angular type Linear Ball Spline is a linear motion rolling guide, featuring a spline shaft with six rows of raceways along which an external cylinder performs endless linear motion by re-circulating steel balls inside the external cylinder body. The shaft sectional area is designed as large as possible to achieve high shaft rigidity.

Standard type and flange type

External cylinders are available in two different shapes: the standard type (cylindrical shape) and the flange type.

Solid shaft and hollow shaft

Two types of spline shaft, the solid shaft and the hollow shaft are available for selection suitable for each application.



● Moment of inertia of sectional area and section modulus of spline shaft

Moment of inertia of sectional area and section modulus of the spline shaft are shown in Table 1.

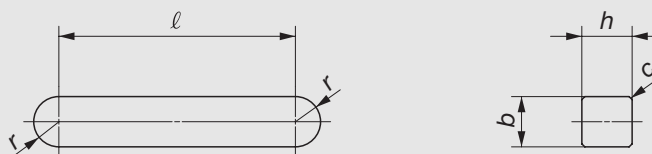
Table 1 Moment of inertia of sectional area and section modulus of spline shaft

Size	Moment of inertia of sectional area mm ⁴		Section modulus mm ³	
	Solid shaft	Hollow shaft	Solid shaft	Hollow shaft
15	1 580	—	230	—
20	4 480	4 410	500	490
25	11 500	10 900	1 010	960
30	21 500	19 700	1 600	1 470
40	76 600	70 000	4 160	3 810
50	186 000	173 000	8 110	7 540

● Dimensions of key

The keys shown in Table 2 are appended to Angular type Linear Ball Spline standard type.

Table 2 Dimensions of key



unit : mm

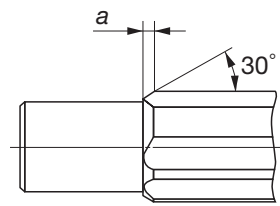
Model number	<i>b</i>	Tolerance	<i>h</i>	Tolerance	<i>l</i>	<i>r</i>	<i>c</i>
LSA 15	3.5	+0.024 +0.012	3.5	0 -0.030	16	1.75	0.16~0.25
LSA 20	4		4		21.5	2	
LSA 25	5	+0.030 +0.015	5	0 -0.036	27.5	2.5	0.25~0.4
LSA 30	7		7		33.3	3.5	
LSA 40	10	±0.036 +0.018	8	0 -0.036	44.3	5	0.4 ~0.6
LSA 50	15		10		44.3	7.5	

Remark : The above table shows representative model numbers but is applicable to all standard types of the same size.

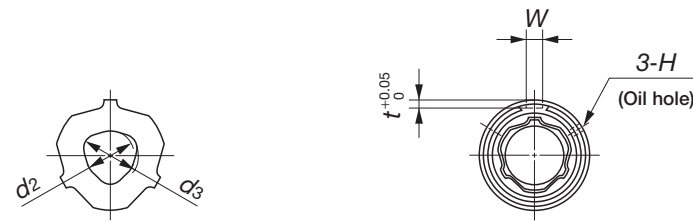
IKO Angular type Linear Ball Spline : Standard type



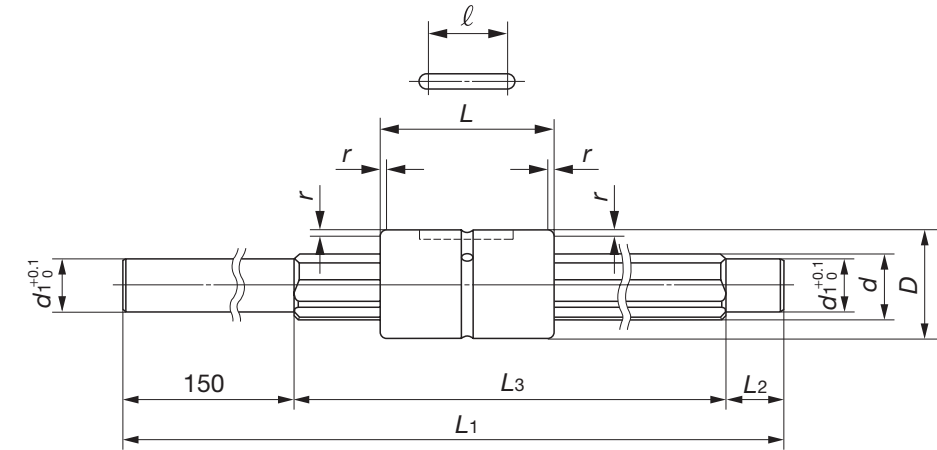
LSA • LSAT



Chamfer of spline part end



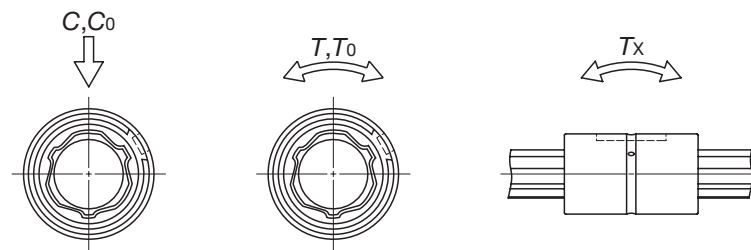
Dimensions of hollow shaft of LSAT



Model number	Mass (Ref.)		Dimensions and tolerances of external cylinder mm												
	External cylinder kg	Spline shaft kg/m	D	Tolerance	L	Tolerance	W	Tolerance	t	ℓ	H	r	d	a	d1
LSA 15	0.06	1.08	23	0 -0.013	40	0 -0.2	3.5	+0.018 0	2	16.5	2	0.5	13.8	1.0	11.7
LSA 20	0.13	1.81	30	0 -0.016	50	0 -0.2	4	+0.018 0	2.5	22	2.5	0.5	18	1.0	15.2
LSAT 20		1.61													
LSA 25	0.22	2.94	37	0 -0.016	60	0 -0.3	5	+0.018 0	3	28	2.5	0.5	22.8	1.5	19.2
LSAT 25		2.37													
LSA 30	0.43	4.00	45	0 -0.016	70	0 -0.3	7	+0.022 0	4	34	3	1	26.8	2.5	22.2
LSAT 30		3.04													
LSA 40	0.89	7.55	60	0 -0.019	90	0 -0.3	10	+0.022 0	4.5	45	4	1	36.8	3.0	31.2
LSAT 40		5.58													
LSA 50	1.54	11.80	75	0 -0.019	100	0 -0.3	15	+0.027 0	5	45	4	1.5	46	3.5	39.2
LSAT 50		9.00													

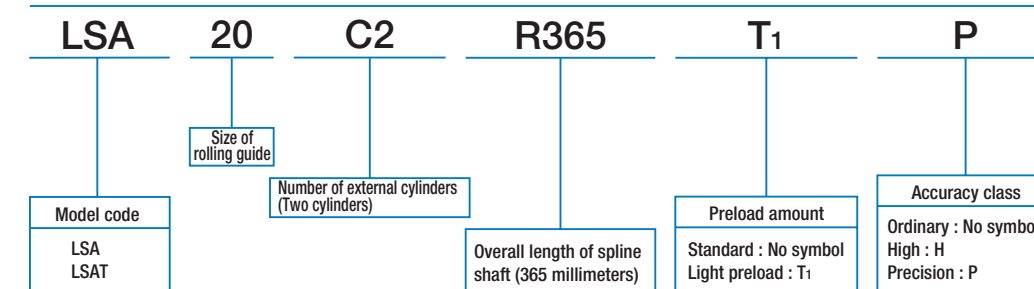
Note(1) : This length is the standard length. Spline shafts in other length are also available. Simply indicate the necessary length of spline shaft in mm in the identification number.

(2) : The directions of basic dynamic load rating (C), basic static load rating (C₀), dynamic torque rating (T) and static torque/moment rating (T₀, T_x) are shown in the sketches below. The upper values in the T_x column apply to one external cylinder, and the lower values apply to two external cylinders in close contact.



Dimensions of spline shaft mm				Basic dynamic load rating ⁽²⁾	Basic static load rating ⁽²⁾	Dynamic torque rating ⁽²⁾	Static torque rating ⁽²⁾	Static moment rating ⁽²⁾
L ₂	d ₂	d ₃	L ₁ (L ₃) ⁽¹⁾	C	C ₀	T	T ₀	T _x
				N	N	N·m	N·m	N·m
15	—	—	265(100) 365(200) 465(300)	4 580	8 280	32.4	60.1	29.4 189
15	—	—	365(200) 465(300) 565(400) 665(500)	8 390	14 700	76.9	139	69.7 417
20	—	—	370(200) 470(300) 570(400) 670(500) 870(700)	13 400	23 000	155	274	136 779
20	—	—	470(300) 570(400) 670(500) 770(600) 1 170(1 000)	18 300	29 800	248	415	193 1 190
25	—	—	575(400) 775(600) 975(800) 1 175(1 000)	33 500	53 000	622	1 010	458 2 720
25	—	—	675(500) 1 175(1 000) 1 375(1 200) 1 775(1 600)	49 500	73 600	1 150	1 750	717 4 220

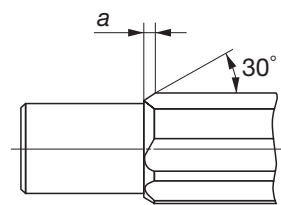
Example of identification number



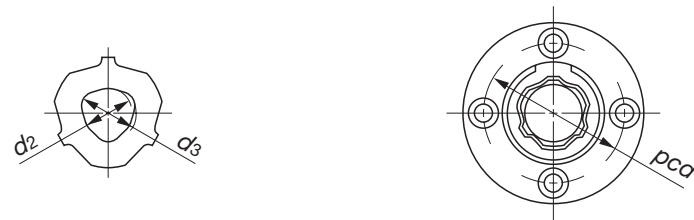
IKO Angular type Linear Ball Spline : Flange type



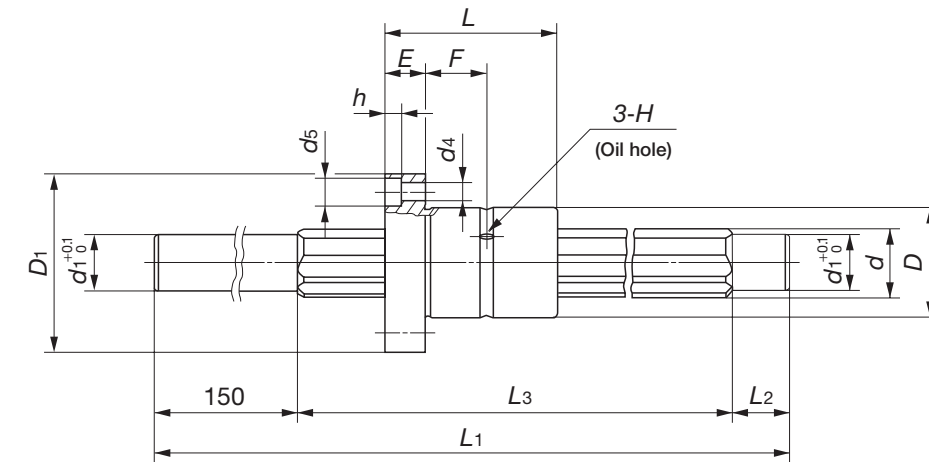
LSAF • LSAFT



Chamfer of spline part end



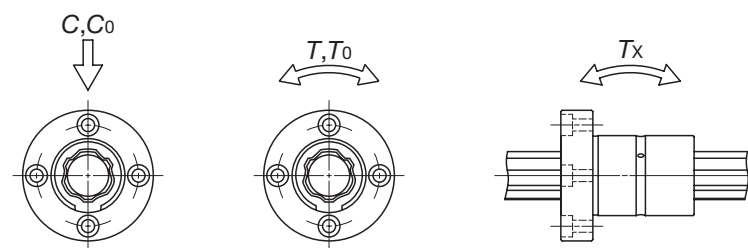
Dimensions of hollow shaft of LSAFT



Model number	Mass (Ref.)		Dimensions and tolerances of external cylinder mm													
	External cylinder kg	Spline shaft kg/m	D	Tolerance	L	Tolerance	D1	Tolerance	E	F	pcd	d4	d5	h	H	d
LSAF 15	0.13	1.08	23	0 -0.013	40	0 -0.2	43	0 -0.2	10	13	32	4.5	8	4.4	2	13.8
LSAF 20	0.23	1.81	30	0 -0.016	50	0 -0.2	49	0 -0.2	12	18	38	4.5	8	4.4	2.5	18
LSAFT 20		1.61														
LSAF 25	0.40	2.94	37	0 -0.016	60	0 -0.3	60	0 -0.2	14	21	47	5.5	9.5	5.4	2.5	22.8
LSAFT 25		2.37														
LSAF 30	0.69	4.00	45	0 -0.016	70	0 -0.3	70	0 -0.2	16	25	54	6.6	11	6.5	3	26.8
LSAFT 30		3.04														
LSAF 40	1.46	7.55	60	0 -0.019	90	0 -0.3	93	0 -0.2	20	31	73	9	14	8.6	4	36.8
LSAFT 40		5.58														
LSAF 50	2.50	11.80	75	0 -0.019	100	0 -0.3	113	0 -0.3	25	34	91	11	17.5	11	4	46
LSAFT 50		9.00														

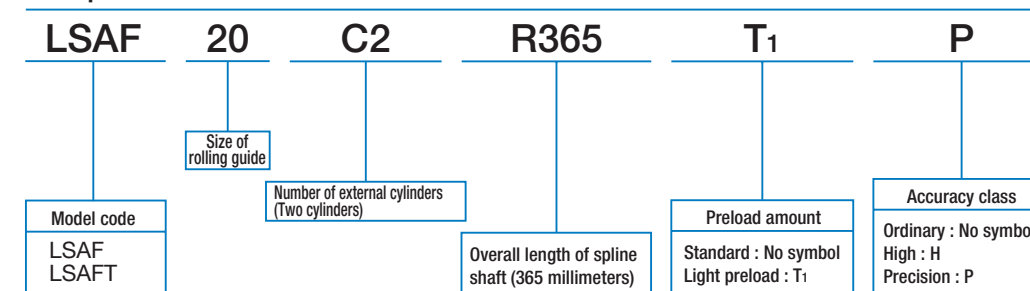
Note(1) : This length is the standard length. Spline shafts in other length are also available. Simply indicate the necessary length of spline shaft in mm in the identification number.

(2) : The directions of basic dynamic load rating (C), basic static load rating (C0), dynamic torque rating (T) and static torque/moment rating (T0, Tx) are shown in the sketches below. The upper values in the Tx column apply to one external cylinder, and the lower values apply to two external cylinders in close contact.



Dimensions of spline shaft mm						Basic dynamic load rating(2) C N	Basic static load rating(2) C0 N	Dynamic torque rating(2) T N·m	Static torque rating(2) T0 N·m	Static moment rating(2) Tx N·m
a	d1	L2	d2	d3	L1 (L3) (1)					
1.0	11.7	15	—	—	265(100) 465(300)	365(200) 665(500)	4 580	8 280	32.4	60.1 29.4 189
1.0	15.2	15	5.5	6	365(200) 565(400)	465(300) 665(500)	8 390	14 700	76.9	139 69.7 417
1.5	19.2	20	9.3	10	370(200) 570(400) 870(700)	470(300) 670(500)	13 400	23 000	155	274 136 779
2.5	22.2	20	11.9	14	470(300) 670(500) 1 170(1 000)	570(400) 770(600)	18 300	29 800	248	415 193 1 190
3.0	31.2	25	17.3	19	575(400) 975(800)	775(600) 1 175(1 000)	33 500	53 000	622	1 010 458 2 720
3.5	39.2	25	20.5	23	675(500) 1 375(1 200)	1 175(1 000) 1 775(1 600)	49 500	73 600	1 150	1 750 717 4 220

Example of identification number





D-60

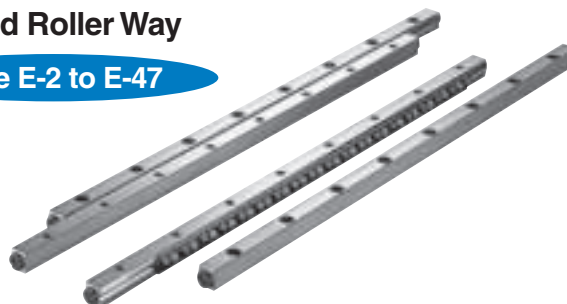
Crossed Roller Ways

Description of each series and Table of dimensions

E

Crossed Roller Way

Page E-2 to E-47



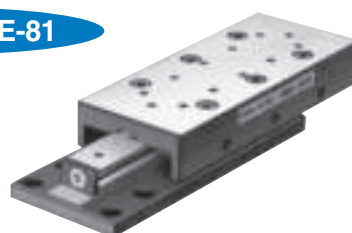
Anti-Creep Cage Crossed Roller Way

Page E-48 to E-63



Crossed Roller Way Unit

Page E-64 to E-81



In the table of dimensions, standard products are referred to using identification numbers marked with . The identification numbers marked with refer to our semi-standard products.

U.S. PATENTED

Crossed Roller Way

CRW / CRWM

IKO Crossed Roller Way is a linear motion rolling guide in which a roller cage is incorporated between two ways with V-shaped raceways. As the cylindrical rollers are alternately crossed, Crossed Roller Way can receive loads in any direction and can achieve very smooth linear motion with very high accuracy.

Wide variations in size are available for selections suitable for each application.

Standard type and module type

Two types are available: the standard type and the module type. In the standard type four ways and two roller cages are used as one set, while in the module type two inner ways are integrated into a single piece.

High carbon chromium bearing steel type and stainless steel type

Standard types include high carbon chromium bearing steel type and stainless steel type.

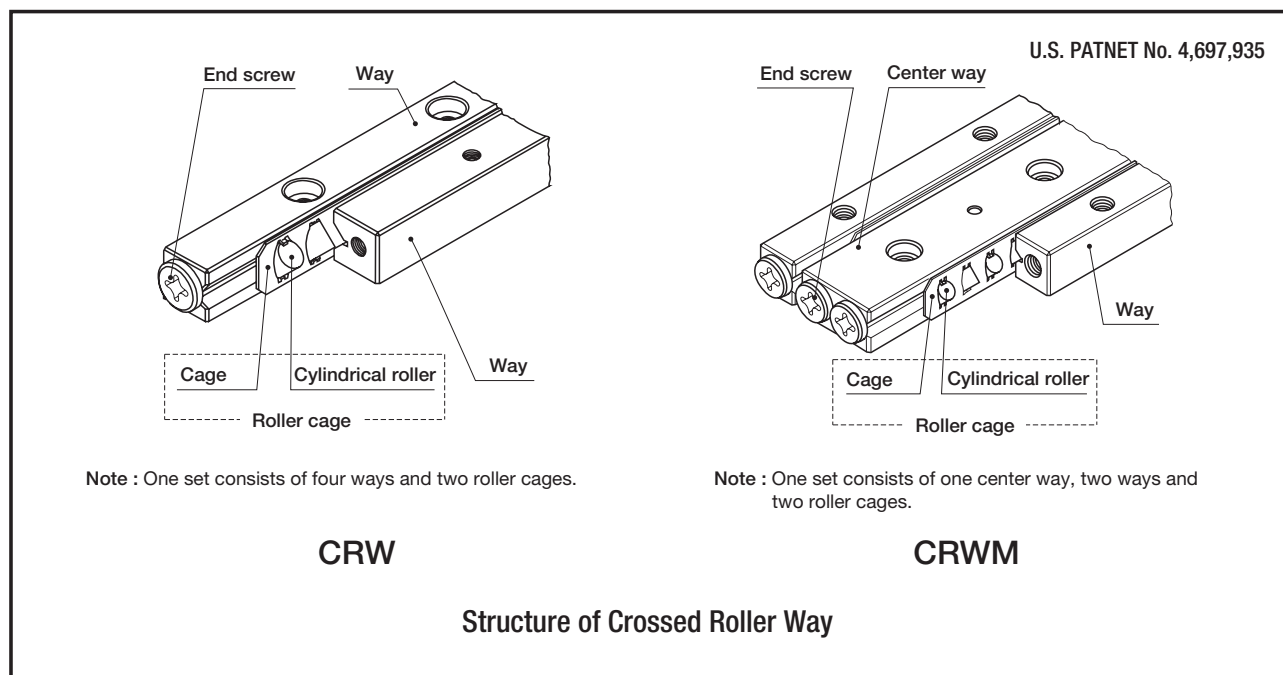
Very smooth operation

Precisely finished raceways are combined with roller cages, in which the length of super precise rollers is accurately controlled to avoid skewing. Very smooth linear motion with very little frictional resistance and free from stick-slip can be achieved.

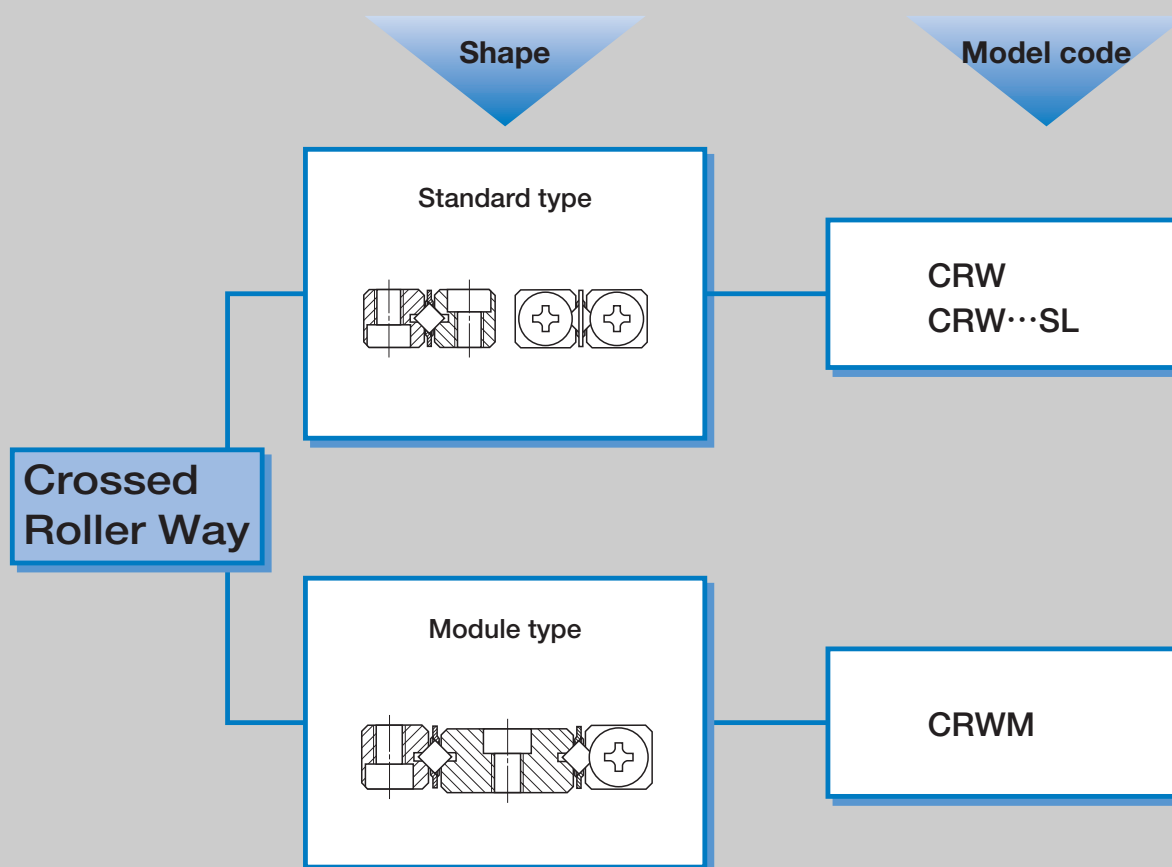
Easy mounting

The mounting holes of the ways are female thread holes with a counter bore. So the mounting method is flexible, allowing the ways to be mounted either by using the female threads of the ways together with bolts inserted through the holes prepared on machines or by using the female threads prepared on machines. Mounting structure can be designed freely.

Two inner ways of module type are integrated into a single piece. The mounting structure can be made simple and, furthermore, as errors from extra machining of the mounting parts can be avoided, accuracy of linear motion can be improved.



Crossed Roller Way series



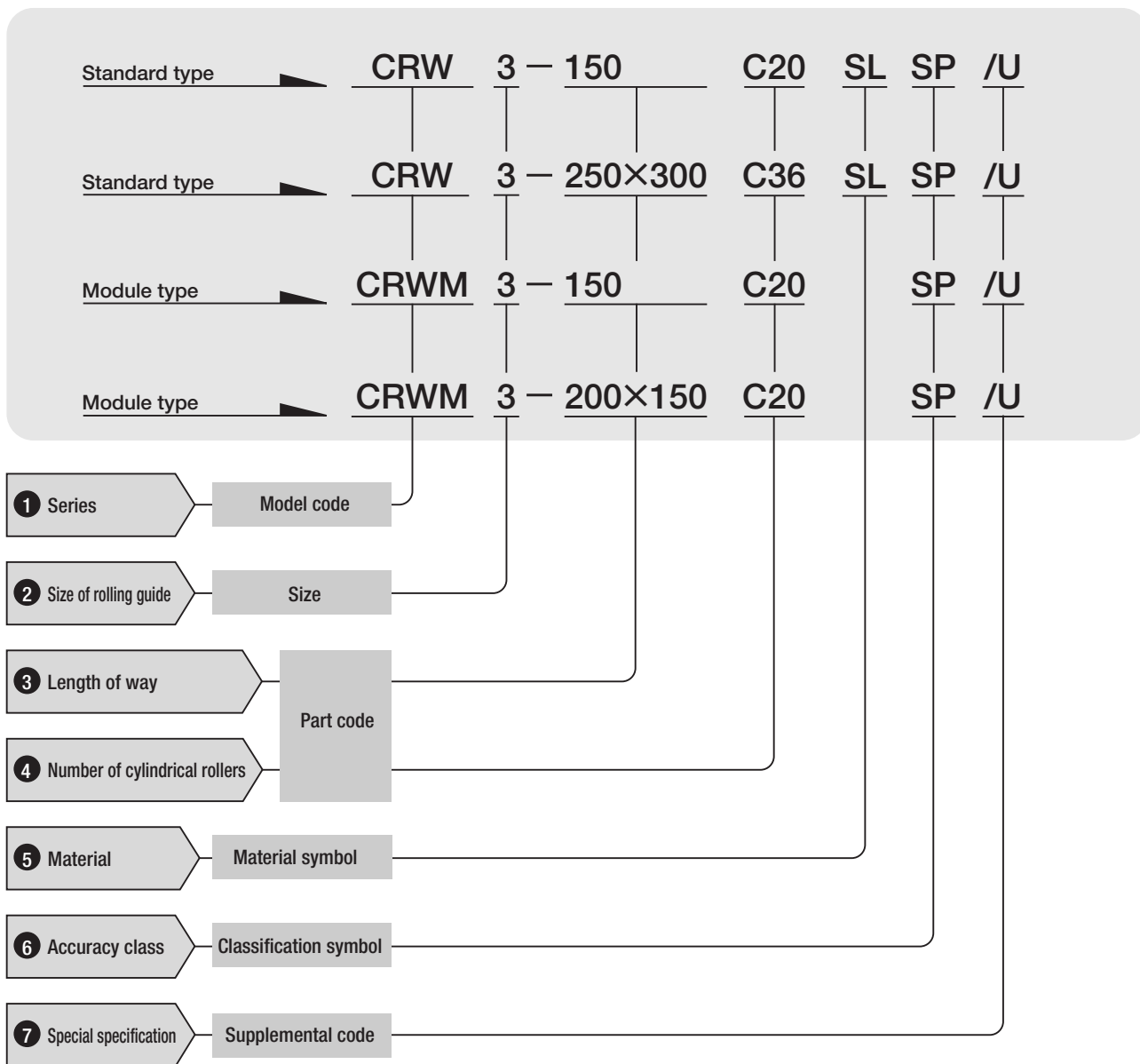
Remark : Models with "SL" are stainless steel type.

CRW, CRWM



● Identification number and specification

The specification of Crossed Roller Way is indicated by the identification number, consisting of a model code, a size, a part code, a material symbol, a classification symbol and any supplemental codes.



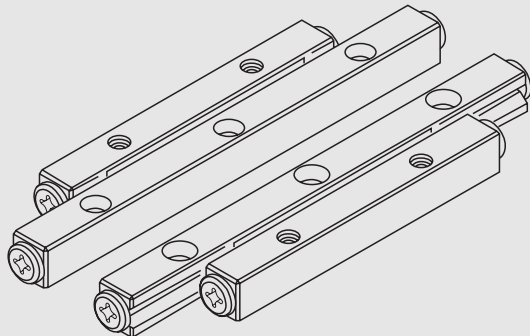
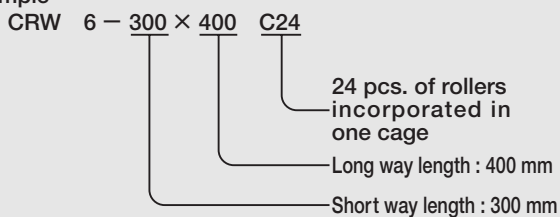
<p>1 Series</p>	<p>Standard type : CRW Module type : CRWM</p>	<p>For available models and sizes, see Table 1.</p>
<p>2 Size of rolling guide</p>		
<p>3 Length of way</p>	<p>○ ○ × ○</p>	<p>Indicate the length of way in mm. Ways with different lengths can be combined. For the lengths of ways, see the table of dimensions. To indicate a combination of ways with different lengths, see "Combination of way lengths".</p>
<p>4 Number of cylindrical rollers</p>	<p>No symbol C○</p>	<p>The number of cylindrical rollers incorporated in one cage is indicated. When this number is not indicated, the number of cylindrical rollers shown in the table of dimensions are incorporated in one cage.</p>

Combination of way lengths

Combination for the standard type

One set consists of two short ways and two long ways together with two roller cages. As standard, the number of rollers in one cage is the number of rollers for the shorter of the two way lengths shown in the dimension tables. If a different number of rollers is required, indicate it in the identification number.

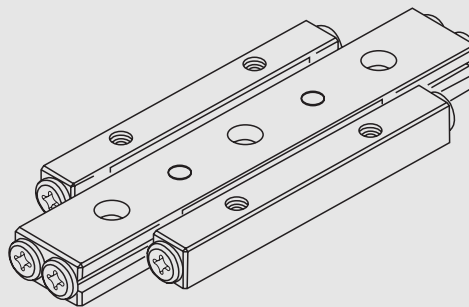
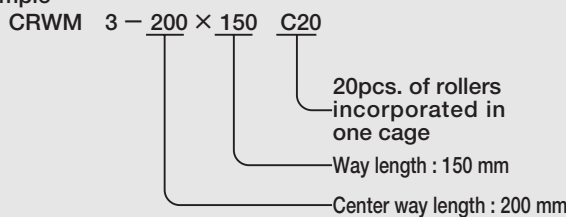
Example



Combination for the module type

One set consists of one center way, two ways together with two roller cages. As standard, the number of rollers in one cage is the number of rollers for the shorter of the two way lengths shown in the dimension tables. If a different number of rollers is required, indicate it in the identification number.

Example



5 Material

High carbon steel made : No symbol
 Stainless steel made : **SL** For applicable material types, see Table 1.

Table 1 Types and sizes

Size	Type	Standard type		Module type
		High carbon steel made	Stainless steel made	High carbon steel made
1		○	○	○
2		○	○	○
3		○	○	○
4		○	○	○
6		○	○	—
9		○	—	—
12		○	—	—
15		○	—	—
18		○	—	—
24		○	—	—

6 Accuracy class

Standard : No symbol
 Super precision : **SP** For the allowable values of parallelism of the raceway to the reference mounting surface and of parallelism between two raceways of CRWM, see Fig. 1.

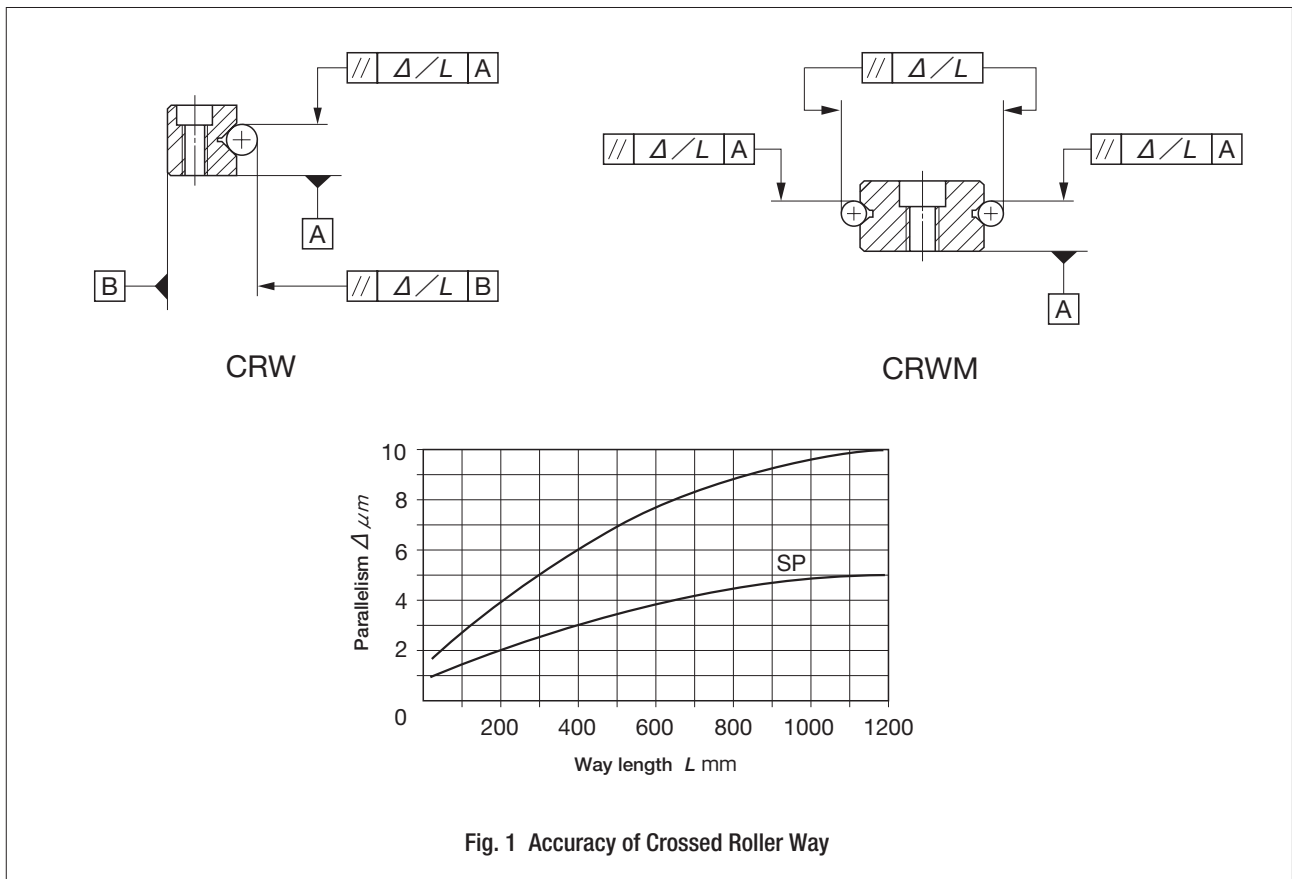


Fig. 1 Accuracy of Crossed Roller Way

7 Special specification

For applicable special specifications, see Table 2.
 When several special specifications are required, see Table 3.
 For details of special specifications, see page E-8.

Table 2 Special specifications

Special specification	Supplemental code	Standard type		Module type
		High carbon steel made	Stainless steel made	High carbon steel made
Special mounting screws	B	△ (1)	—	△ (1)
High rigidity roller cage	M	△ (2)	△ (2)	—
End stopper SA	SA	△ (3)	△ (3)	△ (3)
End stopper SB	SB	△ (3)	△ (3)	△ (3)
Wiper seal	U	△ (3)	△ (3)	△ (3)

Note(1) : Not applicable to size 1 and 2 models.
 (2) : Not applicable to size 1, 2, 3 and 4 models.
 (3) : Not applicable to size 1 models.
 Remark : In the table, the mark △ indicates that it is applicable to some sizes.

Table 3 Combinations of special specifications

M	○			
SA	○	○		
SB	○	○	—	
U	○	○	—	—
	B	M	SA	SB

Remark 1 : In the table, the mark — indicates that this combination can not be made.
 2 : When several special specifications are required, arrange the supplemental codes alphabetically.

● Special specifications

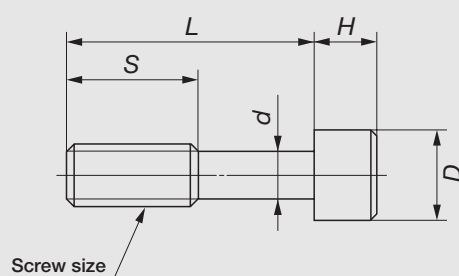
Details of special specifications of Crossed Roller Way are shown below. Indicate any specification by adding the supplemental code to the end of the identification number.

Special mounting screws /B

Since the way at the adjusting side moves when the preload is set, some clearance between the mounting screw and the mounting hole is necessary. However, if sufficient clearance can not be provided or if the mounting screw is fixed from the way side to the table as shown in Fig. 2, special mounting screws may be needed.

Further, if the positioning accuracy of mounting holes in table or bed are not good, special screws can also be used. The special mounting screws are delivered as appended parts upon request, but available in carbon steel type only.

Table 4 Dimensions of special mounting screws



unit : mm

Size	Screw size	d	D	H	L	S
3	M 3	2.3	5	3	12	5
4	M 4	3.1	6	4	15	6
6	M 5	3.9	8	5	20	8
9	M 6	4.6	8.5	6	30	12
12	M 8	6.2	11.5	8	40	17
15	M10	7.9	14	10	45	16
18	M12	9.6	16	12	50	19
24	M14	11.2	19.5	14	70	26

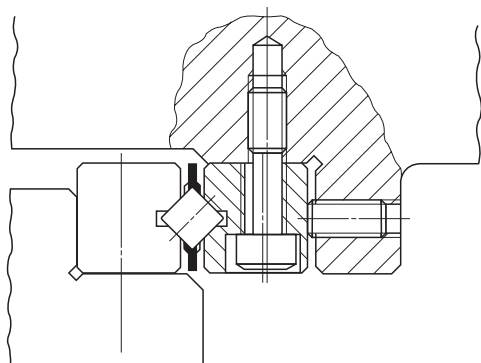
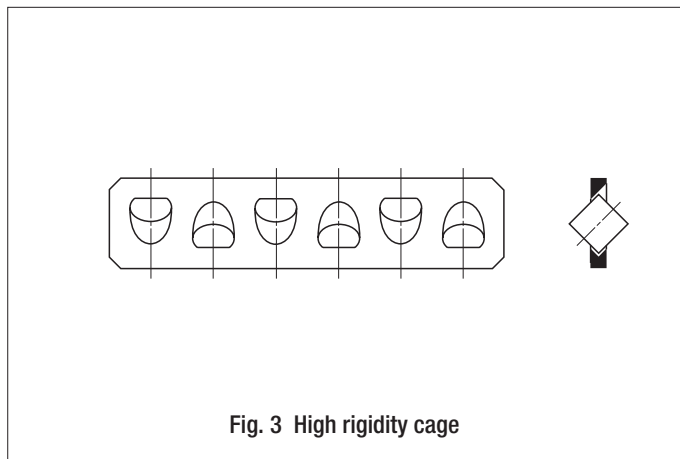


Fig. 2 Mounting example with special mounting screw

High rigidity roller cage /M

High rigidity cages made of copper alloy, which are suitable for use in vertical applications, are optionally available. This cage is designed to prevent rollers from falling out in one direction. (See Fig. 3.)

For vertical usage, it is recommended to use this cage together with the end stopper SB.

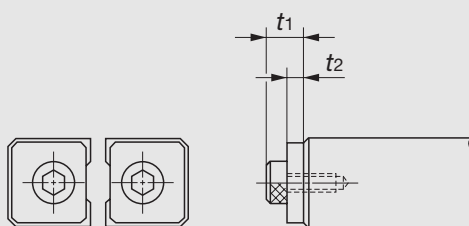


End stopper SA /SA

When the cage is stroked frequently or subjected to vibration or unevenly distributed load, the cage position may shift while in operation. It is recommended, in such cases, to replace the end screw with the end stopper SA.

Size 1 models are assembled with stoppers similar to the SA end stopper as standard.

Table 5 Dimensions of end stopper SA



unit : mm

Size	t ₁	t ₂
2	4.5	2
3	5	2
4	7	3
6	8	3
9	10	4

Size	t ₁	t ₂
12	11	5
15	14	6
18	14	6
24	16	6

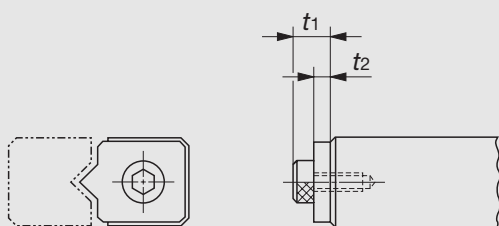


End stopper SB /SB

When the high rigidity cage is used on a vertical axis, the end screw is replaced with the end stopper SB to limit the stroking of the cage at the way end.

The end stopper SB can not be mounted on all ends of the ways in the assembly. Fig. 4 shows the standard mounting arrangement. The mounting arrangement can be changed by loosening screws and resetting the end stoppers.

Table 6 Dimensions of end stopper SB



unit : mm

Size	t_1	t_2
2	4.5	2
3	5	2
4	7	3
6	8	3
9	10	4

Size	t_1	t_2
12	11	5
15	14	6
18	14	6
24	16	6

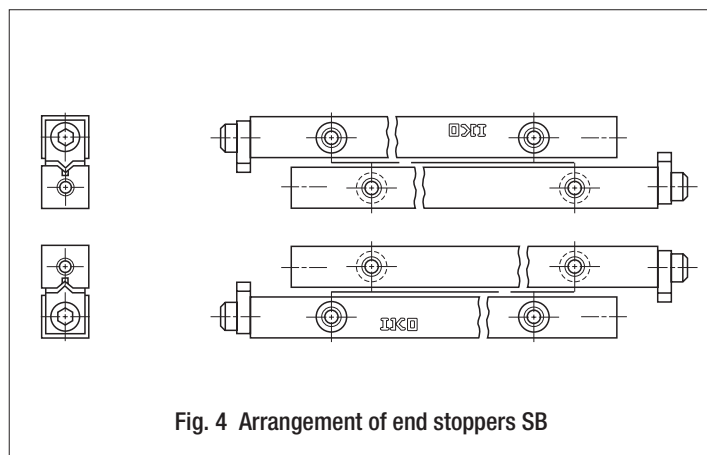
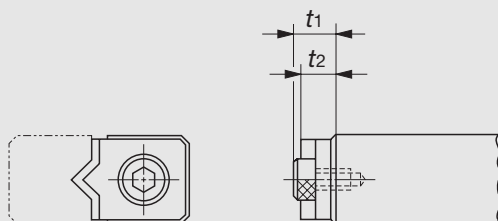


Fig. 4 Arrangement of end stoppers SB

Wiper seal

The end screw is replaced with the wiper seal to prevent foreign particles from intruding into the raceways. The wiper seal also serves as the end stopper providing the same function as the end stopper SB. The wiper seal cannot be mounted on every way end. Fig. 5 shows the standard mounting arrangement. The mounting arrangement can be changed by loosening screws and resetting the wiper seals.

Table 7 Dimensions of wiper seal



unit : mm

Size	t_1	t_2
2	4.5	4
3	5	4
4	7	6
6	8	6
9	10	7.5

Size	t_1	t_2
12	11	8.5
15	14	11
18	14	11
24	16	11

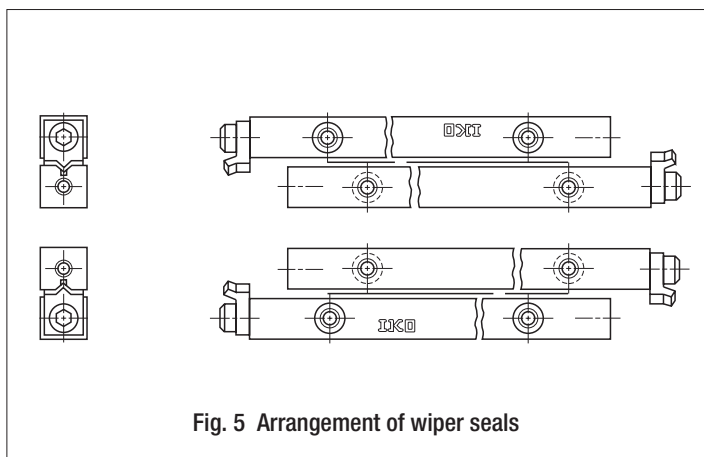


Fig. 5 Arrangement of wiper seals

Load Rating and Allowable Load

Summarized descriptions of load ratings of Crossed Roller Way are given below. For details of load rating definitions and load calculations, see "General description".

● Basic dynamic load rating C

The basic dynamic load rating is defined as the constant load both in direction and magnitude under which a group of identical Crossed Roller Ways are individually operated and 90% of the units in the group can travel 100×10^3 meters free from material damage due to rolling contact fatigue.

● Basic static load rating C_0

The basic static load rating is defined as the static load that gives a prescribed constant contact stress at the center of the contact area between the rolling element and raceway receiving the maximum load.

● Allowable load F

The allowable load is a load under which the sum of elastic deformations of the rolling element and the raceway in the contact area subjected to the maximum contact stress is small enough to guarantee accuracy and smooth rolling movement.

Therefore, when very smooth and highly accurate linear motion is required, make sure that the applied load is well within the allowable load value.

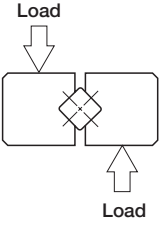
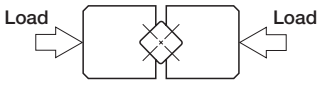
● Calculation of load ratings and allowable load

In Crossed Roller Way, the number of cylindrical rollers sharing a load differs according to the load direction. Therefore, it is necessary to obtain load ratings and allowable load for each direction.

The basic dynamic load rating C_u , basic static load rating C_{0u} and allowable load F_u shown in the table of dimensions indicate values per one roller.

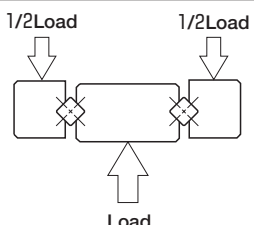

The basic dynamic load rating C , basic static load rating C_0 and allowable load F of Crossed Roller Way are obtained from the formulae shown in Tables 8.1 and 8.2.

Table 8.1 Calculation formulae for load ratings and allowable loads of CRW

Load condition	Upward/downward load (1)	Lateral load
		
Basic dynamic load rating C N	$C_r = \left\{ \left(\frac{Z}{2} - 1 \right) 2p \right\}^{1/36} \left(\frac{Z}{2} \right)^{3/4} C_{0U} \dots (1)$	$C_a = \left\{ \left(\frac{Z}{2} - 1 \right) 2p \right\}^{1/36} \left(\frac{Z}{2} \right)^{3/4} 2^{7/9} C_{0U} \dots (4)$
Basic static load rating C ₀ N	$C_{0r} = \left(\frac{Z}{2} \right) C_{0U} \dots \dots \dots (2)$	$C_{0a} = 2 \left(\frac{Z}{2} \right) C_{0U} \dots \dots \dots (5)$
Allowable load F N	$F_r = \left(\frac{Z}{2} \right) F_U \dots \dots \dots (3)$	$F_a = 2 \left(\frac{Z}{2} \right) F_U \dots \dots \dots (6)$
Meaning of symbols	<p>C_r : Basic dynamic load rating for upward / downward load, N C_a : Basic dynamic load rating for lateral load, N C_{0r} : Basic static load rating for upward / downward load, N C_{0a} : Basic static load rating for lateral load, N F_r : Allowable load for upward / downward load, N F_a : Allowable load rating for lateral load, N Z : Number of cylindrical rollers incorporated in one roller cage (Disregard any decimal for Z/2) p : Pitch between cylindrical rollers, mm C_U : Basic dynamic load rating per one roller, N C_{0U} : Basic static load rating per one roller, N F_U : Allowable load per one roller, N</p>	

Note(1) : When using one set of CRW type (four ways and two roller cages) in parallel in this load direction, use formulae (7), (8) and (9) in Table 8.2.

Table 8.2 Calculation formulae for load ratings and allowable loads of CRWM

Load condition	Upward/downward load	Lateral load
		
Basic dynamic load rating C N	$C_r = \left\{ \left(\frac{Z}{2} - 1 \right) 2p \right\}^{1/36} \left(\frac{Z}{2} \right)^{3/4} 2^{7/9} C_{0U} \dots (7)$	$C_a = \left\{ \left(\frac{Z}{2} - 1 \right) 2p \right\}^{1/36} \left(\frac{Z}{2} \right)^{3/4} 2^{7/9} C_{0U} \cdot (10)$
Basic static load rating C ₀ N	$C_{0r} = 2 \left(\frac{Z}{2} \right) C_{0U} \dots \dots \dots (8)$	$C_{0a} = 2 \left(\frac{Z}{2} \right) C_{0U} \dots \dots \dots (11)$
Allowable load F N	$F_r = 2 \left(\frac{Z}{2} \right) F_U \dots \dots \dots (9)$	$F_a = 2 \left(\frac{Z}{2} \right) F_U \dots \dots \dots (12)$
Meaning of symbols	<p>C_r : Basic dynamic load rating for upward / downward load, N C_a : Basic dynamic load rating for lateral load, N C_{0r} : Basic static load rating for upward / downward load, N C_{0a} : Basic static load rating for lateral load, N F_r : Allowable load for upward / downward load, N F_a : Allowable load rating for lateral load, N Z : Number of cylindrical rollers incorporated in one roller cage (Disregard any decimal for Z/2) p : Pitch between cylindrical rollers, mm C_U : Basic dynamic load rating per one roller, N C_{0U} : Basic static load rating per one roller, N F_U : Allowable load per one roller, N</p>	

CRW, CRWM

Selection of Specification

When selecting the specification of Crossed Roller Way, stroke length and number of rollers should be considered as well as the accuracy, load ratings and allowable load.

● Stroke length and number of rollers

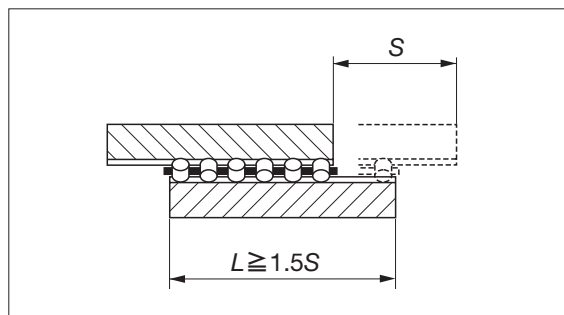
Stroke length of Crossed Roller Way is related to the way length and number of rollers in a roller cage, etc. Therefore, selection procedure is as follows while considering the operating stroke length and applied loads.

① Calculation of way length

Way length is generally more than 1.5 times of operating stroke length and is obtained from the following formula.

$$L \geq 1.5S \dots\dots\dots(10)$$

where, L: Way length, mm
 S: Operating stroke length, mm



② Calculation of maximum stroke length

It is suggested that the operating stroke length is 80% or less of the maximum stroke length. The maximum stroke length is obtained from the following formula.

$$S_1 \geq \frac{1}{0.8} S \dots\dots\dots(11)$$

where, S₁: Maximum stroke length, mm
 S: Operating stroke length, mm

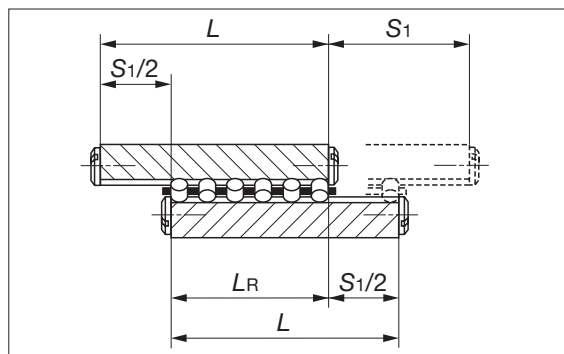
③ Calculation of cage length and number of rollers

Cage length is determined by the way length and maximum stroke length. In calculation of cage length, the calculation method is different according to the specification of end screws, end stoppers, etc.

- (1) With standard end screws or end stoppers SA (except size 1 models)
 The distance between rollers at both ends in one cage is that way length minus half of maximum stroke length as in the following formula.

$$L_R = L - \frac{S_1}{2} \dots\dots\dots(12)$$

where, L_R: Allowable distance between rollers
 at both ends in one cage, mm
 L: Way length, mm
 S₁: Maximum stroke length, mm



Number of rollers in one cage is obtained from the following formula.

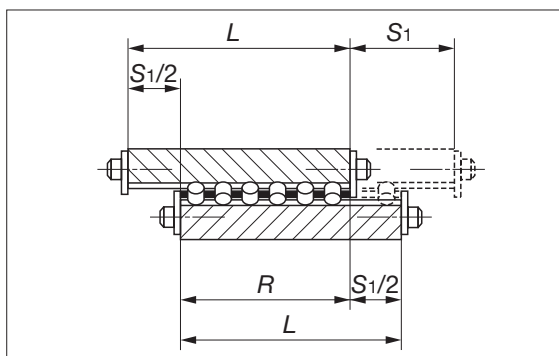
$$Z = \frac{L_R - D_W}{p} + 1 \dots\dots\dots(13)$$

- where, Z: Number of rollers in one cage (Disregard any decimal.)
- L_R : Allowable distance between rollers at both ends in one cage, mm
- D_W : Roller diameter (See dimension tables.), mm
- p : Roller pitch (See dimension tables.), mm

(2) In case of size 1 models
Stroke length is limited by the cage and end stoppers.
The cage length is obtained from the following formula.

$$R = L - \frac{S_1}{2} \dots\dots\dots(14)$$

- where, R: Allowable cage length, mm
- L: Way length, mm
- S_1 : Maximum stroke length, mm



Number of rollers in one cage is obtained from the following formula.

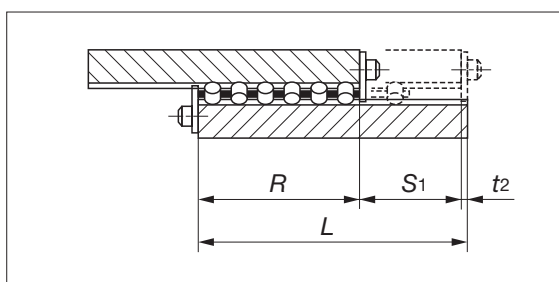
$$Z = \frac{R - 2e}{p} + 1 \dots\dots\dots(15)$$

- where, Z: Number of rollers in one cage (Disregard any decimal.)
- R: Allowable cage length, mm
- e: End dimension of cage (See dimension tables.), mm
- p : Roller pitch (See dimension tables.), mm

(3) With end stoppers SB or wiper seals
Stroke length is limited by the cage and end stoppers or wiper seals. The cage length is obtained from the following formula.

$$R = L - t_2 - S_1 \dots\dots\dots(16)$$

- where, R: Allowable cage length, mm
- L: Way length, mm
- S_1 : Maximum stroke length, mm
- t_2 : Thickness of end stopper SB or wiper seal, mm (See Table 6 on page E-10 or Table 7 on page E-11.)



The number of rollers in a roller cage is obtained from formula (15) in the same way as size 1 models.



● Calculation example

Model..... CRW 6

Applied load..... $P = 7000 \text{ N}$

Stroke length..... $S = 195 \text{ mm}$

For parallel use of Crossed Roller Ways under the above specified conditions (See Fig. 12 on page E-21.), select the suitable specification.

① Calculation of way length

From formula (10), way length L is;

$$L \geq 1.5S = 1.5 \times 195 = 292.5$$

Therefore, standard way length $L = 300 \text{ mm}$ is selected from dimension tables.

② Calculation of maximum stroke length

From formula (11), maximum stroke length S_1 is;

$$S_1 \geq \frac{1}{0.8}S = \frac{1}{0.8} \times 195 \doteq 244$$

From formula (12), allowable distance between rollers at both ends in one cage L_R is;

$$L_R = L - \frac{S_1}{2} = 300 - \frac{244}{2} = 178$$

③ Calculation of number of rollers

From formula (13), number of rollers in one cage is;
($D_W = 6 \text{ mm}$ and $p = 9 \text{ mm}$ from dimension tables)

$$Z = \frac{L_R - D_W}{p} + 1 = \frac{178 - 6}{9} + 1 \doteq 20.1$$

Therefore, number of rollers $Z = 20$ in one cage is obtained by disregarding any decimal.

④ Calculation of allowable load

From formula (9) in Table 8.2 on page E-13, allowable load F in parallel usage is;
(allowable load per one roller $F_U = 764 \text{ N}$ from dimension tables)

$$F = 2 \left(\frac{Z}{2} \right) F_U = 2 \left(\frac{20}{2} \right) \times 769 = 15380$$

In the calculation result, the allowable load F is larger than the applied load $P = 7000 \text{ N}$. Therefore, this model can be used within the allowable load. If the applied load exceeds the calculated allowable load, it is necessary to consider increasing the way length and number of rollers, or to select a model with larger diameter rollers.

⑤ Determination of specification

As a result of the above calculations, CRW 6-300 with 20 rollers is suitable.
The selected model number is CRW 6-300 C20.

Lubrication and Dust Protection

Oil or grease is used as a lubricant for Crossed Roller Way. Oil is generally used for high speed or low friction operation. On the other hand, grease is used when operating speed is low. In case of grease lubrication, a good quality lithium-soap base grease is recommended. When operation speed is low and load is light, coat the raceways with grease before use and relubricate periodically. Structure shown in Fig. 6 makes the relubrication easy.

Crossed Roller Ways are finished very accurately. However, if dust or foreign particles intrude, life and accuracy will be adversely affected. In order to prevent the intrusion of dust, dirt, water, etc., it is recommended to use non-contact type shields (labyrinth seal) as shown in Fig. 7 or contact type wiper seals shown in Fig.8 at the outside of installed unit.

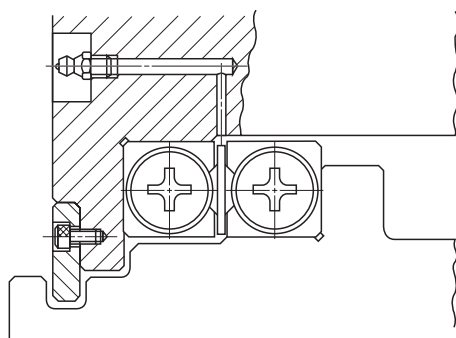


Fig. 6 Example of lubrication method

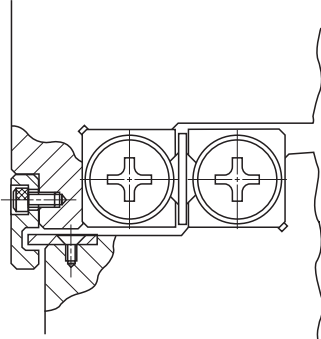


Fig. 7 Example of non-contact type shield (Labyrinth seal)

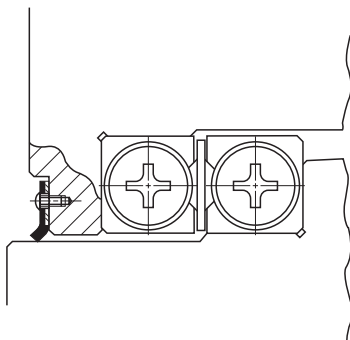


Fig. 8 Example of wiper seal

Precautions for Use

1 Specification of Crossed Roller Way

Check whether the specification of selected Crossed Roller Way meets the requirements for the application of the machine or equipment.

2 Handling of Crossed Roller Way

Crossed Roller Way is a high precision product, so handle it with care. The cage can be modified by cutting it to the required cage length. When cutting, do not deform the cage.

3 Accuracy of mating mounting surfaces

The general configurations of mating mounting surfaces for CRW and CRWM are shown in Figs. 9.1 and 9.2, respectively.

Accuracy of the mating mounting surfaces is, in general, as shown in Table 9. The accuracy of mating mounting surfaces directly affects the operating accuracy and performance of Crossed Roller Way. If very high operating accuracy is required, higher accuracy of mating mounting surfaces than the values shown in Table 9 may be needed.

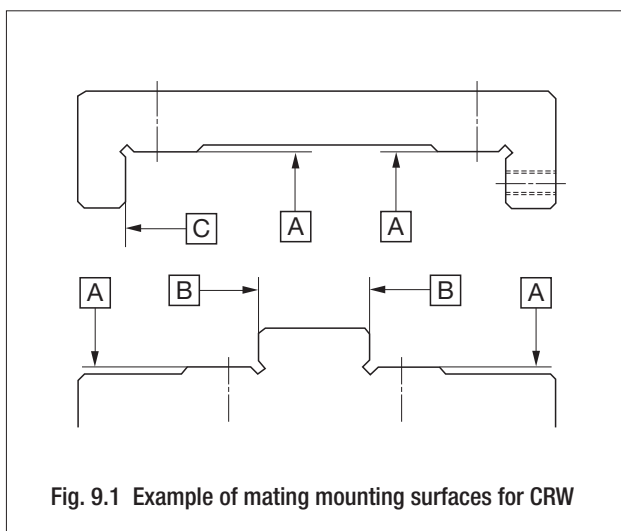


Fig. 9.1 Example of mating mounting surfaces for CRW

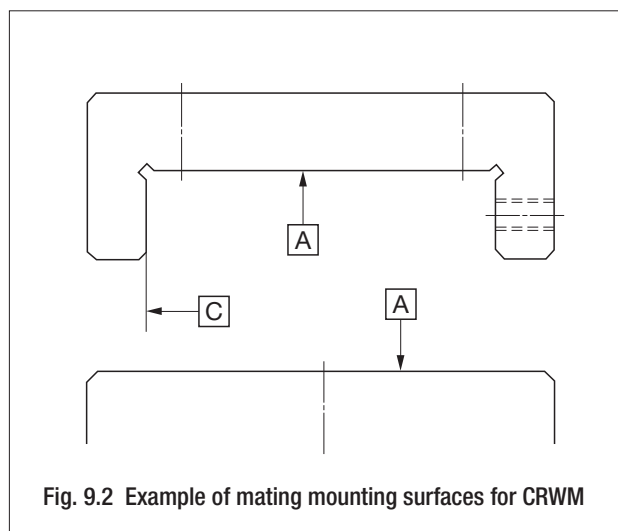


Fig. 9.2 Example of mating mounting surfaces for CRWM

Table 9 Accuracy of mating mounting surfaces

[A] surface	<ul style="list-style-type: none"> This accuracy directly affects the operating accuracy. Flatness of [A] surface (four places) should be equal or nearly equal to the value of parallelism in Fig. 1 on page E-6.
[B] and [C] surfaces	<ul style="list-style-type: none"> Flatness Flatness of these surfaces directly affects preload. The value of flatness should be equal or nearly equal to the value of parallelism in Fig. 1 on page E-6. Squareness Squareness to [A] surface affects the rigidity of assembled unit in the preload direction. Consequently, a high accuracy finish is necessary.

4 Preload method

Preload adjusting screws are generally used for setting preload, as shown in Fig. 10. The size of the preload adjusting screws are the same as that of the mounting screws for the ways. The position of the preload adjusting screws is at the same position as the mounting screws of the ways. For centering, use half of way height H .

Preload amounts differ according to the application of machine or equipment. Excessive preloads deteriorate life and often damage the raceways. Therefore, zero or minimal preload is recommended in general. If accuracy and rigidity are important, a setting plate as shown in Fig. 11.1 or a tapered jib as shown in Fig. 11.2 may be used.

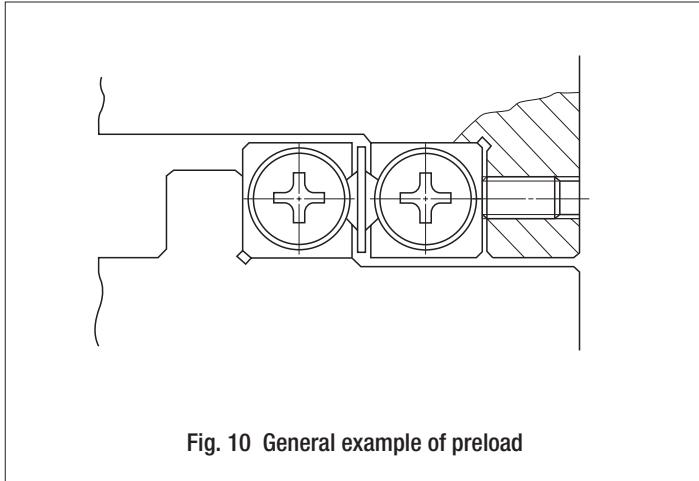


Fig. 10 General example of preload

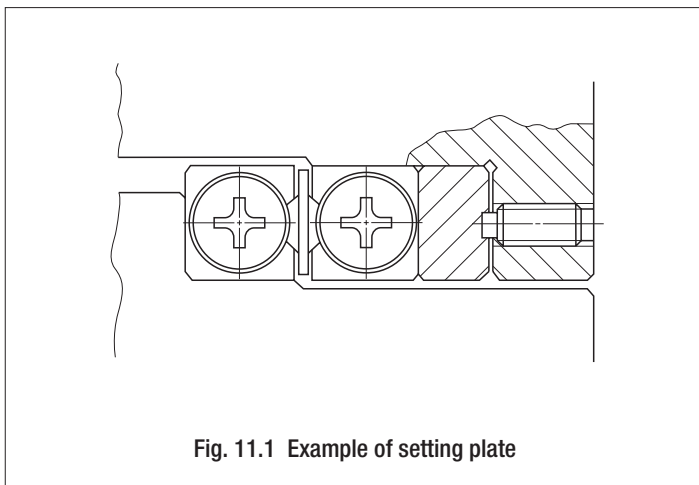


Fig. 11.1 Example of setting plate

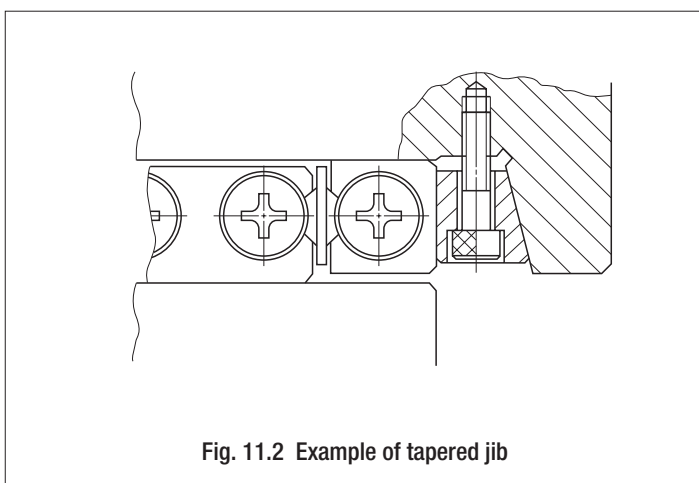


Fig. 11.2 Example of tapered jib

⑤ Crossed Roller Way does not contain synthetic resin parts and can be operated at high temperatures. But, when the temperature exceeds 100°C, consult **IKO**.

⑥ The operating speed of Crossed Roller Way should not exceed 30 m/min.

⑦ Tightening torque of mounting screws

Tightening torque of mounting screws is shown in Table 10. If vibration or shock is large, or moment load is applied, it is recommended to tighten the screws to about 1.3 times the values shown in Table 10. If vibration and shock are not present and high operating accuracy is needed, a lower tightening torque than the values shown in Table 10 is suggested. In this case, adhesive or lock-screws may be used to prevent any subsequent loosening of the mounting screws.

Table 10 Tightening torque of screws

Screw size	Tightening torque N·m
M 2×0.4	0.23
M 3×0.5	1.4
M 4×0.7	3.2
M 5×0.8	6.3
M 6×1	10.7
M 8×1.25	25.6
M10×1.5	50.1
M12×1.75	86.5
M14×2	137
M16×2	211

Remark : If the screw sizes on table side and bed side are different, use the tightening torque of the smaller screw size for both screws.

Mounting

● Mounting of CRW

A general method for mounting CRW is shown in Fig. 12. The general procedure is as follows.

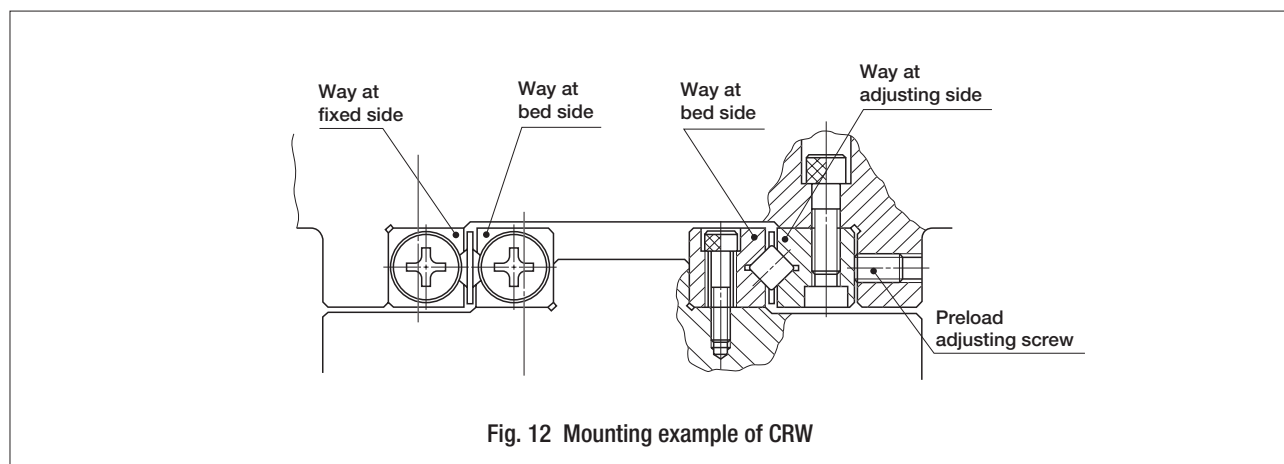


Fig. 12 Mounting example of CRW

1 Preparation for mounting

- CRW is delivered as an individual package containing four ways and two roller cages. The ways in each package are not interchangeable with ways in other packages, so do not mix them.
- Separate the end screws or end stoppers and wash the ways with a clean cleaning agent. After cleaning, apply rust preventive oil or lubricating oil.

2 Cleaning of mounting surfaces of table and bed

- Remove burrs and blemishes from mounting surfaces of table and bed with an oil-stone, etc. During this process, also pay attention to the corner grooves of the mounting surfaces.
- Wipe off dust with clean cloth and apply rust preventive oil or lubricating oil.

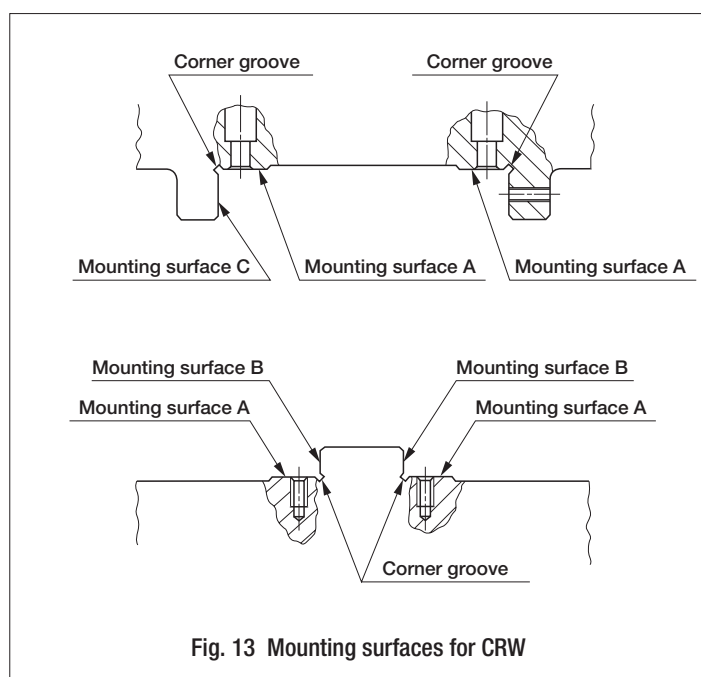


Fig. 13 Mounting surfaces for CRW

3 Mounting of ways at bed side (Fig. 14)

- After fitting the mounting surfaces of ways onto the mating mounting surfaces of bed, temporarily tighten the mounting screws with uniform tightening torque.
- After closely fitting the ways to B surfaces (See Fig. 13.), tighten the mounting screws uniformly to the prescribed tightening torque.
- If high accuracy is required, tighten the mounting screws uniformly to the prescribed tightening torque while checking the parallelism of the two ways along the overall way length.
- General tightening torque of mounting screws is shown in Table 10 on page E-20.

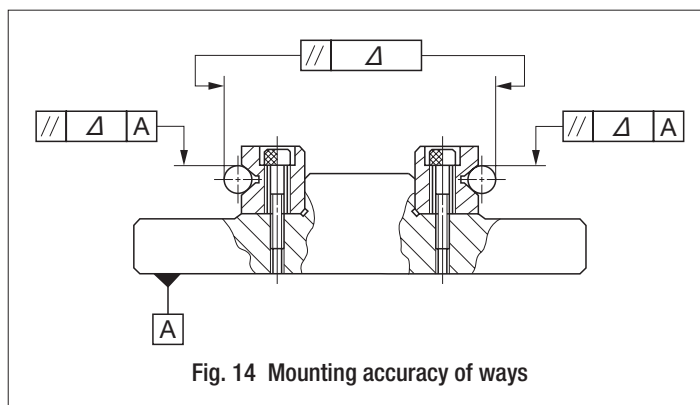


Fig. 14 Mounting accuracy of ways

4 Mounting of ways at table side (Fig. 15)

- After fitting the mounting surfaces of the way at the fixed side to the mating mounting surfaces of table, temporarily tighten the mounting screws at the fixed side with uniform tightening torque.
- After closely fitting the way at the fixed side to C surface, tighten the mounting screws at the fixed side uniformly to the prescribed tightening torque.
- Loosen the preload adjusting screws and temporarily tighten the mounting screws of the way at adjusting side with uniform and light tightening torque.

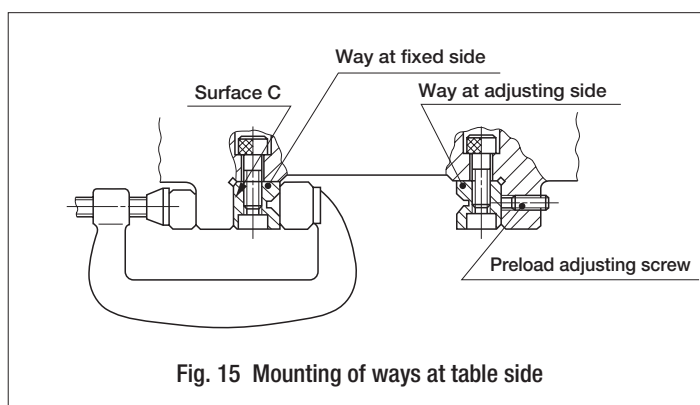


Fig. 15 Mounting of ways at table side

5 Assembling of table and bed (Fig. 16)

- Adjust the positions of table and bed in height and width directions in order to insert roller cages between the ways at table side and bed side.
- Insert the roller cages gradually and gently until the cages position roughly at the center of way length. In this process, do not deform the cages.
- Assemble end screws or end stoppers.
- Push the table to the preload adjusting side, and temporarily tighten the preload adjusting screws until the clearance at raceways is near zero.
- Gently stroke the table its full stroke length to position the roller cage at the center of the stroke.

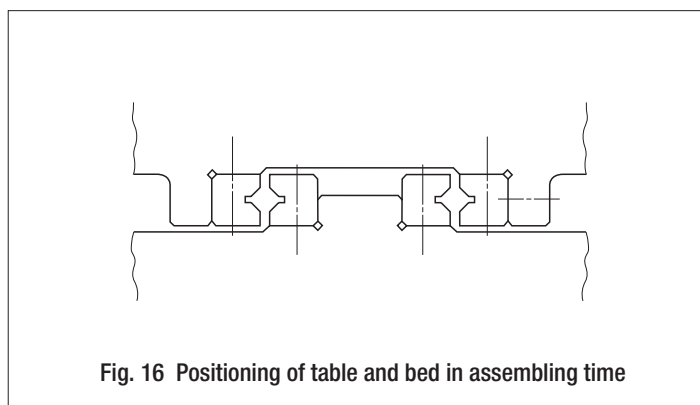


Fig. 16 Positioning of table and bed in assembling time

6 Preload adjustment (Fig. 17)

- Preload adjustment is done only when mounting screws for the way at the adjusting side are temporarily tightened.
- Preload adjustment is started from the adjusting screw at the center of the way length, proceeding alternately to the left and right.
- While checking the clearance (deflection) at the side face of table, tighten each adjusting screw lightly to a uniform amount, then repeat the same process applying a higher tightening torque until a dial gauge indicates zero-clearance (no more change in deflection). Record the tightening torque of the adjusting screws at zero-clearance.
- When adjusting the screws close to the end of the way, gradually stroke the table and ensure that the roller cage is positioned at the adjusting screw.
- Using the above process, the internal clearance becomes zero or minimal preload, but the preload amount is not uniform along the way length. Therefore, repeat the same process and tighten all adjusting screws uniformly to the recorded tightening torque.

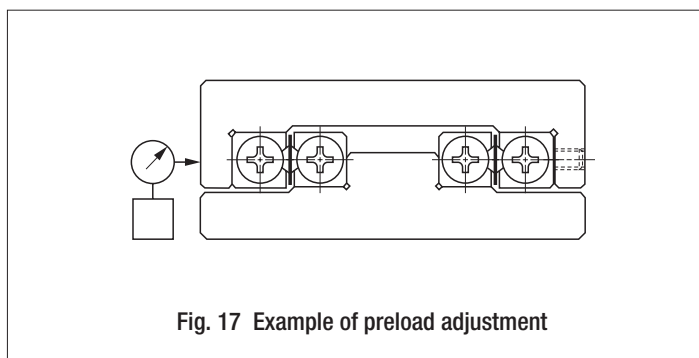


Fig. 17 Example of preload adjustment

7 Final fixing of way at adjusting side

- The mounting screws have been tightened lightly to a uniform torque. Similar to the adjustment of the preload adjusting screws, temporarily tighten the mounting screws at the adjusting side to a slightly lower tightening torque than the prescribed value. Start from the center screw of the way length and proceed alternately to the left and right.
- When tightening the mounting screws close to the end of the way, gradually stroke the table and ensure that the roller cage is positioned at the mounting screw.
- Finally, tighten all mounting screws at the adjusting side uniformly to the prescribed torque similar to the adjustment of the preload adjusting screws.

8 Final check (Fig. 18)

- Stroke the table gradually its full stroke length, ensuring that the stroke is smooth and quiet.
- Check the operating accuracy by measuring the upper and side faces of table with a dial gauge.

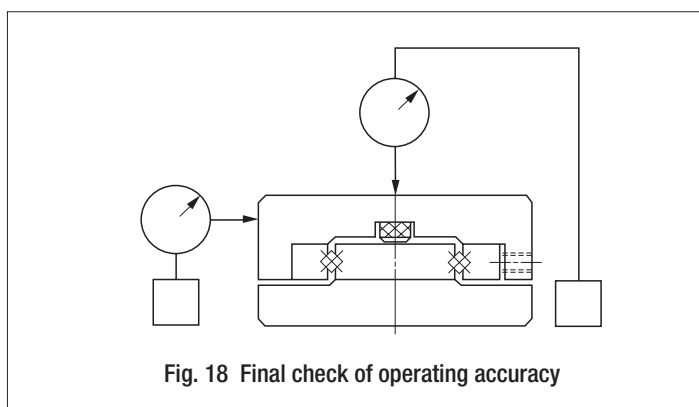


Fig. 18 Final check of operating accuracy

● Mounting of CRWM

A general mounting example of CRWM is shown in Fig. 19. The general mounting procedure is as follows.

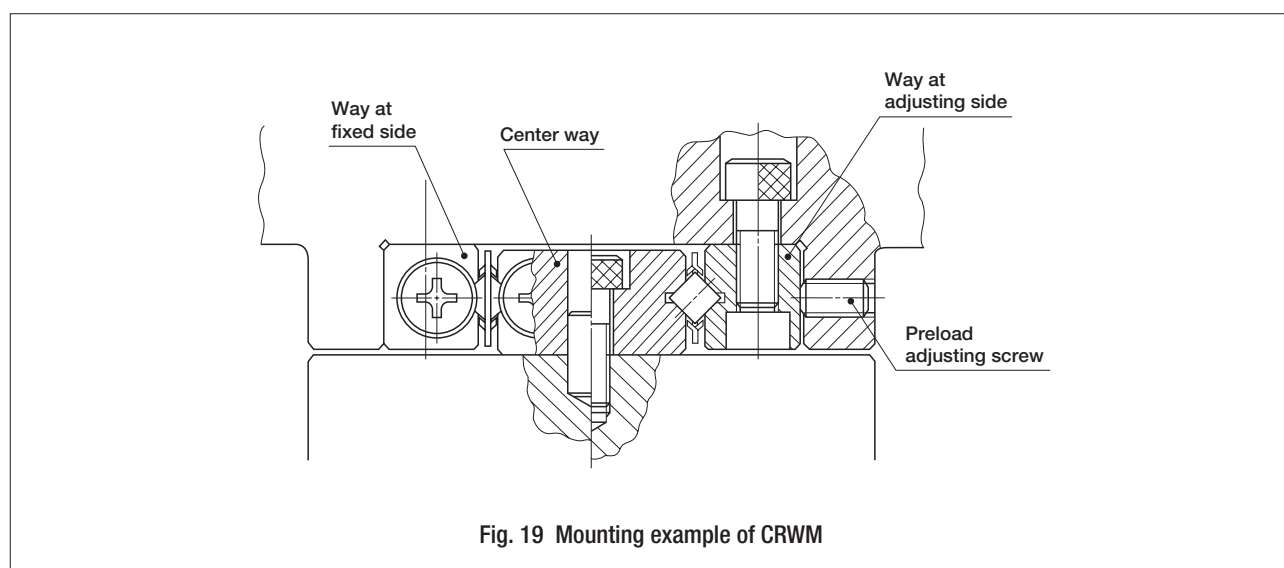


Fig. 19 Mounting example of CRWM

① Preparation for mounting

- CRWM is delivered as an individual package containing one center way, two side ways and two roller cages. The ways in each package are not interchangeable with ways in other packages, so do not mix them.
- Separate the end screws or end stoppers and wash the ways with a clean cleaning agent. After cleaning, apply rust preventive oil or lubricating oil.

② Cleaning of mounting surfaces on table and bed

- Use the same procedure as that for CRW.

③ Mounting of center way (Fig. 20)

- Roughly position the center way to the mounting surface of bed and lightly tighten the mounting screws.
- Temporarily tighten the mounting screws with uniform tightening torque while adjusting the position of the center way by checking the parallelism between the datum surface in the operating direction and the raceways of the center way with a dial gauge.
- Finally, tighten all mounting screws uniformly to the prescribed torque.

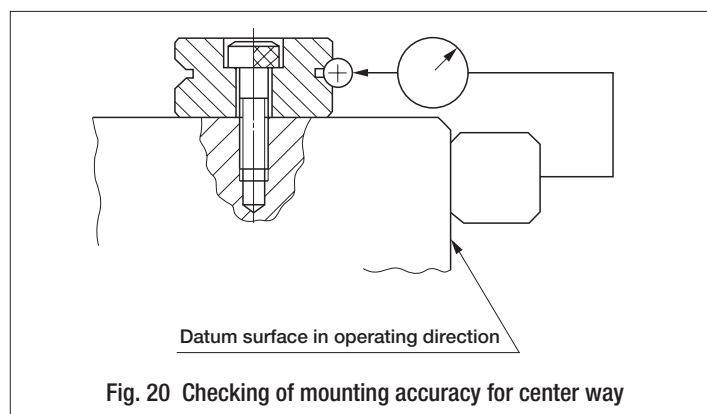


Fig. 20 Checking of mounting accuracy for center way

4 Drilling for dowel pin hole (Fig. 21)

- If dowel pins are needed to fix the center way to the bed, drill holes to the bed through the dowel pin holes of the center way while assembling the center way on the bed and locating the drill tool to dowel pin holes near the way ends. The holes for dowel pins in the center way are manufactured to H7 tolerance. Therefore, the holes in bed should have the same tolerance.
- Hole diameters and their tolerances are shown in the dimension tables.
- Remove any drilling chips and, if necessary, wash again the table assembly. If the table assembly of the machine is large, first disassemble the center way. Then wash the table and the center way individually before re-assembly.
- Insert dowel pins and check the parallelism between the datum surface in the operating direction and the raceways of the center way.

5 Mounting of way at table side

- Use the same procedure as that for CRW.

6 Assembling of table and bed

- Use the same procedure as that for CRW.

7 Preload adjustment

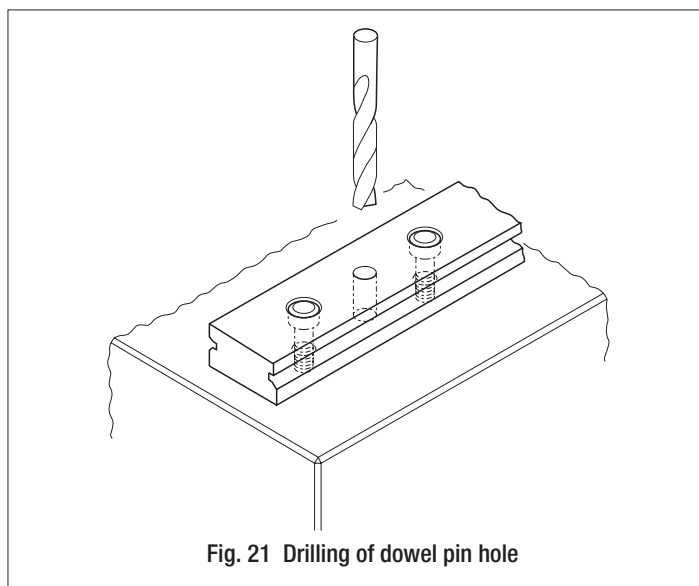
- Use the same procedure as that for CRW.

8 Final fixing of way at adjusting side

- Use the same procedure as that for CRW.

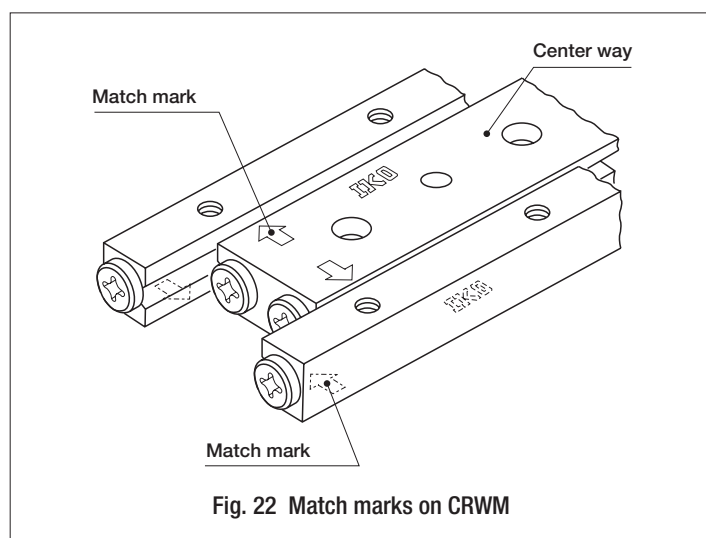
9 Final check

- Use the same procedure as that for CRW.



Match marks of CRWM

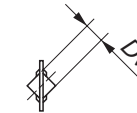
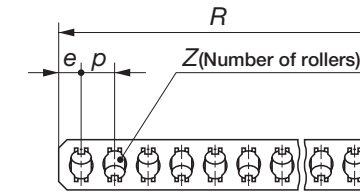
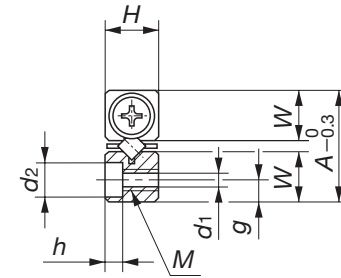
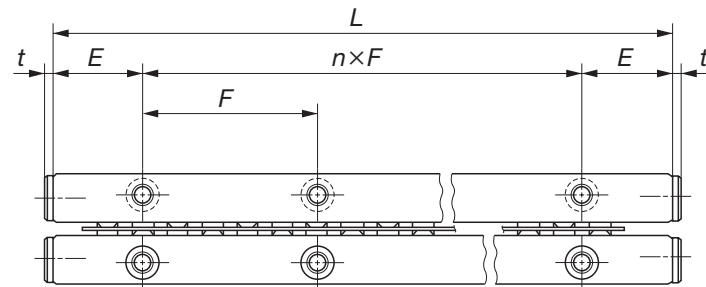
Ways of CRWM have match marks so that they can be assembled with the best operating results. When assembling ways, the match marks on the way end should be positioned at the same end as shown in Fig. 22.



IKO Crossed Roller Way



Standard type
CRW
CRW ...SL (Stainless steel made)



Model number	Mass (Ref.)		Boundary dimensions				Dimensions of roller cage		Basic dynamic load rating Cu ⁽³⁾ N	Basic static load rating CoU ⁽³⁾ N	Allowable load Fu ⁽³⁾ N
	Way ⁽¹⁾ kg/m	Roller cage ⁽²⁾ g	A	H	L (n×F)	E	Dw	R			
CRW 1- 20	0.12	0.38	8.5	4	20 (1×10)	5	1.5	16.5	125	120	39.8
CRW 1- 20 SL											
CRW 1- 30					30 (2×10)			25.5			
CRW 1- 30 SL											
CRW 1- 40					40 (3×10)			31.5			
CRW 1- 40 SL											
CRW 1- 50					50 (4×10)			37.5			
CRW 1- 50 SL											
CRW 1- 60					60 (5×10)			43.5			
CRW 1- 60 SL											
CRW 1- 70					70 (6×10)			52.5			
CRW 1- 70 SL											
CRW 1- 80	80 (7×10)	61.5									
CRW 1- 80 SL											

Note⁽¹⁾: This value shows mass per one meter for individual way.
 Note⁽²⁾: This value shows mass of one roller cage in which ten rollers are incorporated.
 Note⁽³⁾: This value shows load per one roller.

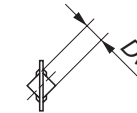
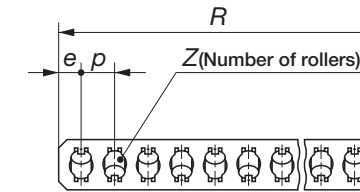
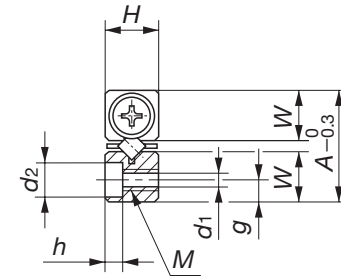
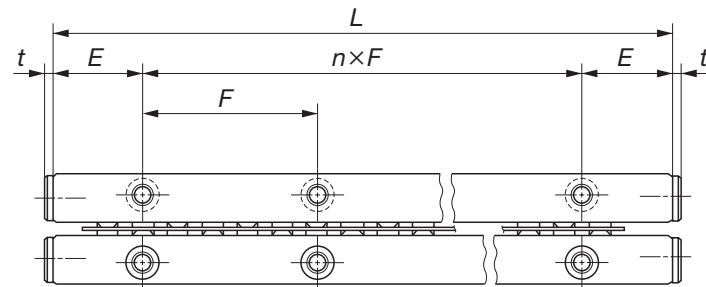
Nominal dimensions mm										Basic dynamic load rating Cu ⁽³⁾ N	Basic static load rating CoU ⁽³⁾ N	Allowable load Fu ⁽³⁾ N
Z	p	e	W	g	Mounting dimensions							
					M	d1	d2	h	t			
5												
8												
10												
12	3	2.25	3.9	1.8	M2	1.65	3	1.4	1.7	125	120	39.8
14												
17												
20												



IKO Crossed Roller Way



Standard type
CRW
CRW ...SL (Stainless steel made)



Model number	Mass (Ref.)		Boundary dimensions				Dimensions of roller cage	
	Way ⁽¹⁾ kg/m	Roller cage ⁽²⁾ g	A	H	L (n×F)	E	Dw	R
CRW 2- 30	0.24	0.98	12	6	30 (1×15)	7.5	2	29.6
CRW 2- 30 SL								
CRW 2- 45								
CRW 2- 45 SL								
CRW 2- 60								
CRW 2- 60 SL								
CRW 2- 75								
CRW 2- 75 SL								
CRW 2- 90								
CRW 2- 90 SL								
CRW 2-105								
CRW 2-105 SL								
CRW 2-120								
CRW 2-120 SL								
CRW 2-135								
CRW 2-135 SL								
CRW 2-150								
CRW 2-150 SL								
CRW 2-165								
CRW 2-165 SL								
CRW 2-180								
CRW 2-180 SL								

Note⁽¹⁾ : This value shows mass per one meter for individual way.
⁽²⁾ : This value shows mass of one roller cage in which ten rollers are incorporated.
⁽³⁾ : This value shows load per one roller.

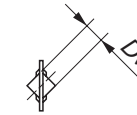
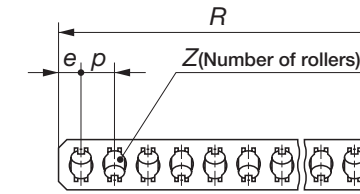
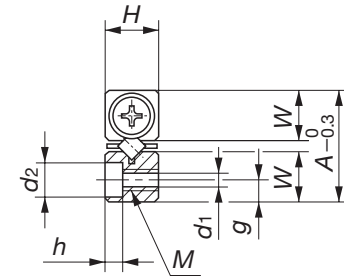
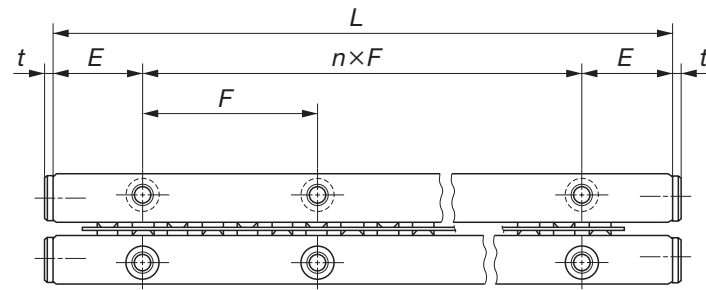
Nominal dimensions mm										Basic dynamic load rating Cu ⁽³⁾ N	Basic static load rating CoU ⁽³⁾ N	Allowable load Fu ⁽³⁾ N
Z	p	e	W	g	Mounting dimensions							
					M	d1	d2	h	t			
7												
10												
13												
16												
19												
22	4	2.8	5.5	2.5	M3	2.55	4.4	2	1.5	293	294	97.9
25												
28												
31												
34												
37												



IKO Crossed Roller Way



Standard type
CRW
CRW ...SL (Stainless steel made)



Model number	Mass (Ref.)		Boundary dimensions				Dimensions of roller cage						
	Way ⁽¹⁾ kg/m	Roller cage ⁽²⁾ g	A	H	L (n×F)	E	Dw	R					
CRW 3- 50	0.50	2.96	18	8	50 (1×25)	12.5	3	42					
CRW 3- 50 SL					75 (2×25)			62					
CRW 3- 75					100 (3×25)			82					
CRW 3- 75 SL					125 (4×25)			102					
CRW 3-100					150 (5×25)			122					
CRW 3-100 SL					175 (6×25)			142					
CRW 3-125					200 (7×25)			162					
CRW 3-125 SL					225 (8×25)			182					
CRW 3-150					250 (9×25)			202					
CRW 3-150 SL					275 (10×25)			222					
CRW 3-175					300 (11×25)			242					
CRW 3-175 SL													
CRW 3-200													
CRW 3-200 SL													
CRW 3-225													
CRW 3-225 SL													
CRW 3-250													
CRW 3-250 SL													
CRW 3-275													
CRW 3-275 SL													
CRW 3-300													
CRW 3-300 SL													

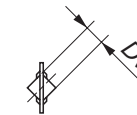
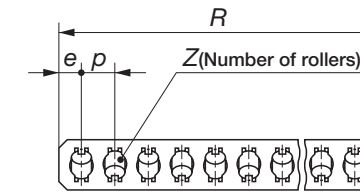
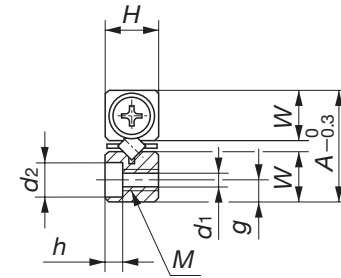
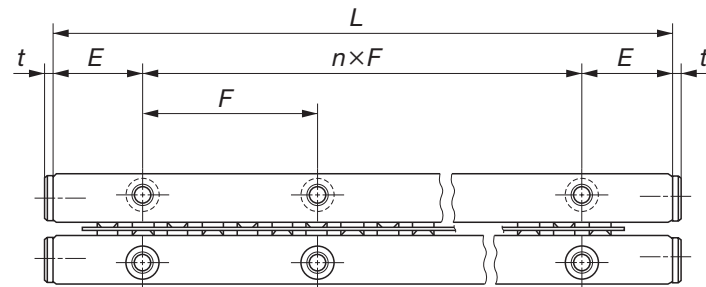
Note⁽¹⁾ : This value shows mass per one meter for individual way.
 Note⁽²⁾ : This value shows mass of one roller cage in which ten rollers are incorporated.
 Note⁽³⁾ : This value shows load per one roller.

Nominal dimensions mm										Basic dynamic load rating Cu ⁽³⁾ N	Basic static load rating CoU ⁽³⁾ N	Allowable load Fu ⁽³⁾ N
Z	p	e	W	g	Mounting dimensions							
					M	d1	d2	h	t			
8												
12												
16												
20												
24												
28	5	3.5	8.3	3.5	M4	3.3	6	3.1	2	638	609	203
32												
36												
40												
44												
48												

IKO Crossed Roller Way



Standard type
CRW
CRW ...SL (Stainless steel made)



Model number	Mass (Ref.)		Boundary dimensions				Dimensions of roller cage						
	Way ⁽¹⁾ kg/m	Roller cage ⁽²⁾ g	A	H	L (n×F)	E	Dw	R					
CRW 4- 80	0.82	6.91	22	11	80 (1×40)	20	4	73					
CRW 4- 80 SL					120 (2×40)			101					
CRW 4-120					160 (3×40)			136					
CRW 4-120 SL					200 (4×40)			164					
CRW 4-160					240 (5×40)			199					
CRW 4-160 SL					280 (6×40)			227					
CRW 4-200					320 (7×40)			262					
CRW 4-200 SL					360 (8×40)			297					
CRW 4-240					400 (9×40)			325					
CRW 4-240 SL					440 (10×40)			360					
CRW 4-280					480 (11×40)			388					
CRW 4-280 SL													
CRW 4-320													
CRW 4-320 SL													
CRW 4-360													
CRW 4-360 SL													
CRW 4-400													
CRW 4-400 SL													
CRW 4-440													
CRW 4-440 SL													
CRW 4-480													
CRW 4-480 SL													

Note⁽¹⁾ : This value shows mass per one meter for individual way.
 Note⁽²⁾ : This value shows mass of one roller cage in which ten rollers are incorporated.
 Note⁽³⁾ : This value shows load per one roller.

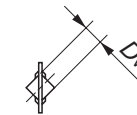
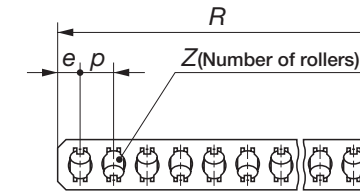
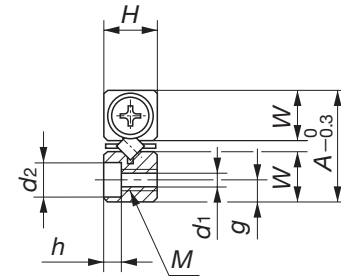
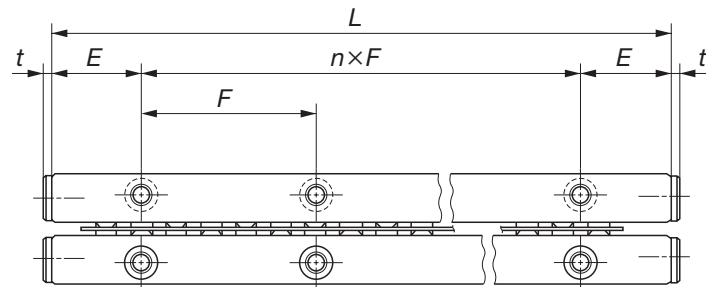
Nominal dimensions mm										Basic dynamic load rating Cu ⁽³⁾ N	Basic static load rating CoU ⁽³⁾ N	Allowable load Fu ⁽³⁾ N	
Z	p	e	W	g	M	d1	d2	h	t				
10													
14													
19													
23													
28													
32	7	5	10	4.5	M5	4.3	7.5	4.1	2	1 230	1 180	392	
37													
42													
46													
51													
55													



IKO Crossed Roller Way



Standard type
CRW
CRW ...SL (Stainless steel made)



Model number	Mass (Ref.)		Boundary dimensions				Dimensions of roller cage		Basic dynamic load rating Cu ⁽³⁾ N	Basic static load rating CoU ⁽³⁾ N	Allowable load Fu ⁽³⁾ N
	Way ⁽¹⁾ kg/m	Roller cage ⁽²⁾ g	A	H	L (n×F)	E	Dw	R			
CRW 6-100	1.57	20.3	31	15	100 (1×50)	25	6	84	2 570	2 310	769
CRW 6-100 SL											
CRW 6-150					150 (2×50)			129			
CRW 6-150 SL											
CRW 6-200					200 (3×50)			165			
CRW 6-200 SL											
CRW 6-250					250 (4×50)			210			
CRW 6-250 SL											
CRW 6-300					300 (5×50)			246			
CRW 6-300 SL											
CRW 6-350					350 (6×50)			282			
CRW 6-350 SL											
CRW 6-400					400 (7×50)			327			
CRW 6-400 SL											
CRW 6-450					450 (8×50)			363			
CRW 6-450 SL											
CRW 6-500					500 (9×50)			408			
CRW 6-500 SL											
CRW 6-550	550 (10×50)	444									
CRW 6-550 SL											
CRW 6-600	600 (11×50)	489									
CRW 6-600 SL											

Note⁽¹⁾ : This value shows mass per one meter for individual way.
⁽²⁾ : This value shows mass of one roller cage in which ten rollers are incorporated.
⁽³⁾ : This value shows load per one roller.

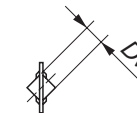
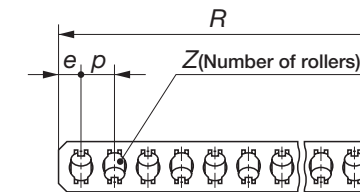
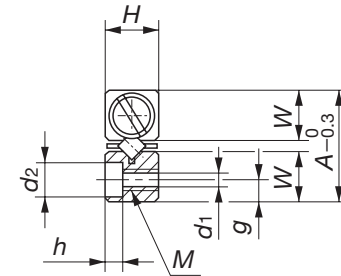
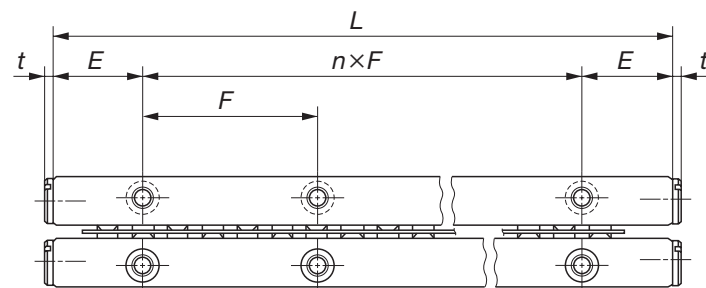
Nominal dimensions mm										Basic dynamic load rating Cu ⁽³⁾ N	Basic static load rating CoU ⁽³⁾ N	Allowable load Fu ⁽³⁾ N
Z	p	e	W	g	Mounting dimensions							
					M	d1	d2	h	t			
9												
14												
18												
23												
27												
31	9	6	14	6	M6	5.3	9.5	5.2	3	2 570	2 310	769
36												
40												
45												
49												
54												



IKO Crossed Roller Way



Standard type
CRW



Model number	Mass (Ref.)		Boundary dimensions				Dimensions of roller cage	
	Way ⁽¹⁾ kg/m	Roller cage ⁽²⁾ g	A	H	L (n×F)	E	Dw	R
CRW 9- 200	3.3	64.8	44	22	200 (1×100)	50	9	173
CRW 9- 300					300 (2×100)			257
CRW 9- 400					400 (3×100)			327
CRW 9- 500					500 (4×100)			411
CRW 9- 600					600 (5×100)			495
CRW 9- 700					700 (6×100)			565
CRW 9- 800					800 (7×100)			649
CRW 9- 900					900 (8×100)			733
CRW 9-1000					1 000 (9×100)			817
CRW 9-1100					1 100 (10×100)			887
CRW 9-1200					1 200 (11×100)			971
CRW 12- 200	5.57	146	58	28	200 (1×100)	50	12	168
CRW 12- 300					300 (2×100)			258
CRW 12- 400					400 (3×100)			330
CRW 12- 500					500 (4×100)			420
CRW 12- 600					600 (5×100)			492
CRW 12- 700					700 (6×100)			564
CRW 12- 800					800 (7×100)			654
CRW 12- 900					900 (8×100)			726
CRW 12-1000					1 000 (9×100)			816
CRW 12-1100					1 100 (10×100)			888
CRW 12-1200					1 200 (11×100)			978

Note⁽¹⁾ : This value shows mass per one meter for individual way.
⁽²⁾ : This value shows mass per one roller cage in which ten rollers are incorporated.
⁽³⁾ : This value shows load per one roller.

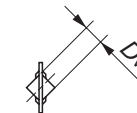
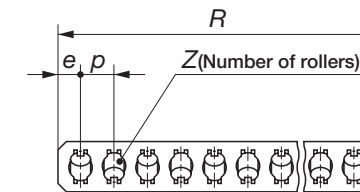
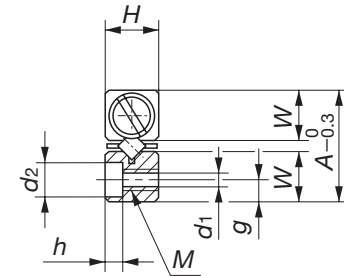
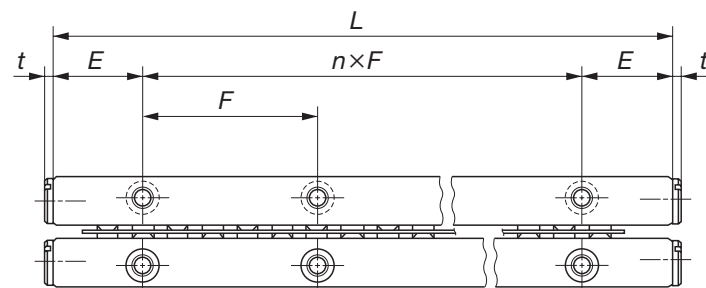
Nominal dimensions mm										Basic dynamic load rating Cu ⁽³⁾ N	Basic static load rating CoU ⁽³⁾ N	Allowable load Fu ⁽³⁾ N
Z	p	e	W	g	Mounting dimensions							
					M	d1	d2	h	t			
12	14	9.5	20.2	9	M 8	6.8	10.5	6.2	3	7 190	6 600	2 200
18												
23												
29												
35												
40												
46												
52												
58												
63												
69												
9	18	12	26.9	12	M10	8.5	13.5	8.2	3	14 700	13 600	4 540
14												
18												
23												
27												
31												
36												
40												
45												
49												
54												



IKO Crossed Roller Way



Standard type
CRW



Model number	Mass (Ref.)		Boundary dimensions			Dimensions of roller cage			Basic dynamic load rating Cu ⁽³⁾ N	Basic static load rating CoU ⁽³⁾ N	Allowable load Fu ⁽³⁾ N
	Way ⁽¹⁾ kg/m	Roller cage ⁽²⁾ g	A	H	L (n×F)	E	Dw	R			
CRW 15- 300	8.75	273	71	36	300 (2×100)	50	15	261	23 800	21 900	7 300
CRW 15- 400					400 (3×100)			330			
CRW 15- 500					500 (4×100)			422			
CRW 15- 600					600 (5×100)			491			
CRW 15- 700					700 (6×100)			583			
CRW 15- 800					800 (7×100)			652			
CRW 15- 900					900 (8×100)			744			
CRW 15-1000					1 000 (9×100)			813			
CRW 15-1100					1 100 (10×100)			905			
CRW 15-1200					1 200 (11×100)			974			
CRW 18- 300					11.3			447			
CRW 18- 400	400 (3×100)	346									
CRW 18- 500	500 (4×100)	430									
CRW 18- 600	600 (5×100)	514									
CRW 18- 700	700 (6×100)	570									
CRW 18- 800	800 (7×100)	654									
CRW 18- 900	900 (8×100)	738									
CRW 18-1000	1 000 (9×100)	822									
CRW 18-1100	1 100 (10×100)	906									
CRW 18-1200	1 200 (11×100)	990									

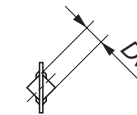
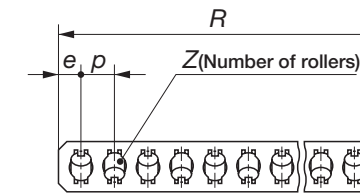
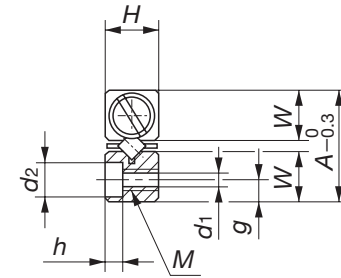
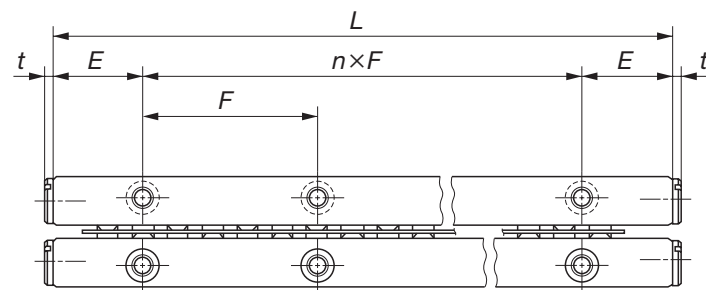
Note⁽¹⁾ : This value shows mass per one meter for individual way.
⁽²⁾ : This value shows mass of one roller cage in which ten rollers are incorporated.
⁽³⁾ : This value shows load per one roller.

Nominal dimensions mm										Basic dynamic load rating Cu ⁽³⁾ N	Basic static load rating CoU ⁽³⁾ N	Allowable load Fu ⁽³⁾ N
Z	p	e	W	g	M	d1	d2	h	t			
11	23	15.5	33	14	M12	10.5	16.5	10.2	5	23 800	21 900	7 300
14												
18												
21												
25												
28												
32												
35												
39												
42												
9												
12												
15												
18												
20												
23												
26												
29												
32												
35												

IKO Crossed Roller Way



Standard type
CRW



Model number	Mass (Ref.)		Boundary dimensions				Dimensions of roller cage	
	Way ⁽¹⁾ kg/m	Roller cage ⁽²⁾ g	A	H	L (n×F)	E	Dw	R
CRW 24- 400	20.6	1 060	110	55	400 (3×100)	50	24	336
CRW 24- 500					500 (4×100)			408
CRW 24- 600					600 (5×100)			516
CRW 24- 700					700 (6×100)			588
CRW 24- 800					800 (7×100)			660
CRW 24- 900					900 (8×100)			732
CRW 24-1000					1 000 (9×100)			840
CRW 24-1100					1 100 (10×100)			912
CRW 24-1200					1 200 (11×100)			984

Note⁽¹⁾: This value shows mass per one meter for individual way.
⁽²⁾: This value shows mass of one roller cage in which ten rollers are incorporated.
⁽³⁾: This value shows load per one roller.

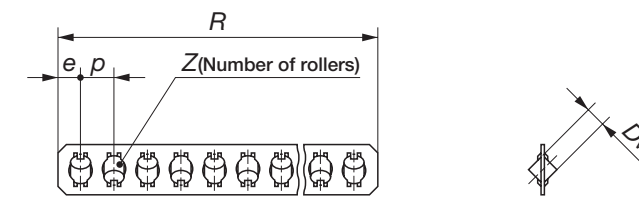
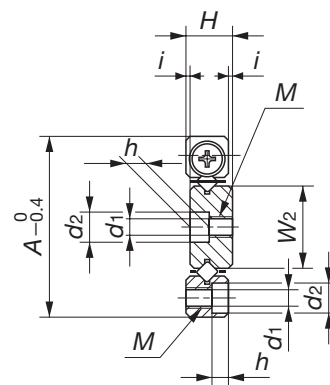
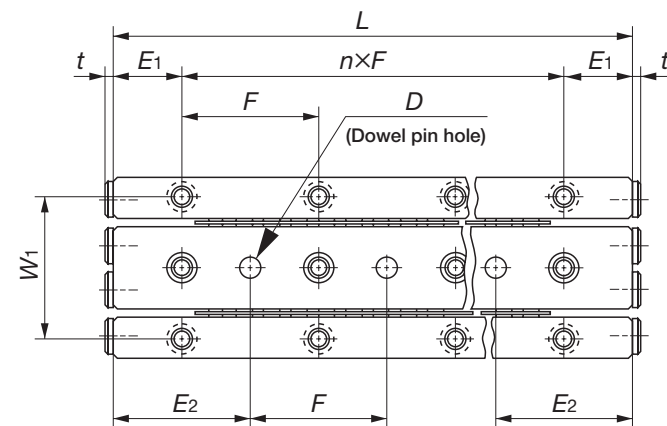
Nominal dimensions mm										Basic dynamic load rating Cu ⁽³⁾ N	Basic static load rating CoU ⁽³⁾ N	Allowable load Fu ⁽³⁾ N
Z	p	e	W	g	M	d1	d2	h	t			
9										69 600	63 500	21 200
11												
14												
16												
18	36	24	51.5	24	M16	14.5	22.5	14.2	5			
20												
23												
25												
27												



IKO Crossed Roller Way



Module type
CRWM



Model number	Mass (Ref.)		Boundary dimensions				Dimensions of roller cage			
	Way ⁽¹⁾ kg/m	Roller cage ⁽²⁾ g	A	H	L (n×F)	i	Dw	R	Z	
CRWM 1- 20	0.49	0.38	17	4.5	20 (1×10)	0.5	1.5	16.5	5	
CRWM 1- 30					30 (2×10)			25.5	8	
CRWM 1- 40					40 (3×10)			31.5	10	
CRWM 1- 50					50 (4×10)			37.5	12	
CRWM 1- 60					60 (5×10)			43.5	14	
CRWM 1- 70					70 (6×10)			52.5	17	
CRWM 1- 80					80 (7×10)			61.5	20	
CRWM 2- 30	0.99	0.98	24	6.5	30 (1×15)	0.5	2	29.6	7	
CRWM 2- 45					45 (2×15)			41.6	10	
CRWM 2- 60					60 (3×15)			53.6	13	
CRWM 2- 75					75 (4×15)			65.6	16	
CRWM 2- 90					90 (5×15)			77.6	19	
CRWM 2-105					105 (6×15)			89.6	22	
CRWM 2-120					120 (7×15)			101.6	25	
CRWM 2-135					135 (8×15)			113.6	28	
CRWM 2-150					150 (9×15)			125.6	31	
CRWM 2-165					165 (10×15)			137.6	34	
CRWM 2-180	180 (11×15)	149.6	37							

Note⁽¹⁾ : This value shows mass per one set of ways (one center way and two side ways) per one meter.
⁽²⁾ : This value shows mass of one roller cage in which ten rollers are incorporated.
⁽³⁾ : This value shows load per one roller.

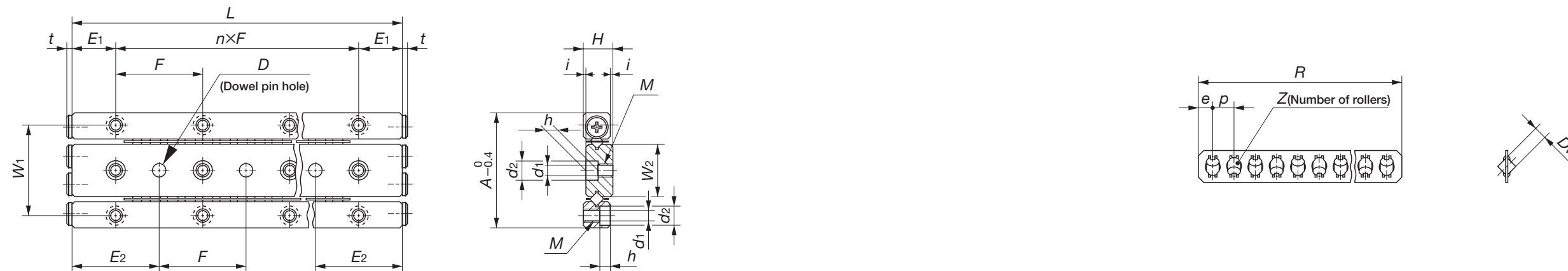
Nominal dimensions and tolerances mm													Basic dynamic load rating Cu ⁽³⁾ N	Basic static load rating C0u ⁽³⁾ N	Allowable load Fu ⁽³⁾ N
p	e	W1	W2	E1	E2	M	d1	d2	h	D	Tolerance	t			
3	2.25	13.4	7.8	5	10	M2	1.65	3	1.4	2	+0.010 0	1.7	125	120	39.8
4	2.8	19	11	7.5	15	M3	2.55	4.4	2	3	+0.010 0	1.5	293	294	97.9



IKO Crossed Roller Way



Module type
CRWM



Model number	Mass (Ref.)		Boundary dimensions			Dimensions of roller cage			
	Way ⁽¹⁾ kg/m	Roller cage ⁽²⁾ g	A	H	L (n x F)	i	Dw	R	Z
CRWM 3- 50	1.99	2.96	36	8.5	50 (1 x 25)	0.5	3	42	8
CRWM 3- 75					75 (2 x 25)			62	12
CRWM 3-100					100 (3 x 25)			82	16
CRWM 3-125					125 (4 x 25)			102	20
CRWM 3-150					150 (5 x 25)			122	24
CRWM 3-175					175 (6 x 25)			142	28
CRWM 3-200					200 (7 x 25)			162	32
CRWM 3-225					225 (8 x 25)			182	36
CRWM 3-250					250 (9 x 25)			202	40
CRWM 3-275					275 (10 x 25)			222	44
CRWM 3-300					300 (11 x 25)			242	48
CRWM 4- 80	3.28	6.91	44	11.5	80 (1 x 40)	0.5	4	73	10
CRWM 4-120					120 (2 x 40)			101	14
CRWM 4-160					160 (3 x 40)			136	19
CRWM 4-200					200 (4 x 40)			164	23
CRWM 4-240					240 (5 x 40)			199	28
CRWM 4-280					280 (6 x 40)			227	32
CRWM 4-320					320 (7 x 40)			262	37
CRWM 4-360					360 (8 x 40)			297	42
CRWM 4-400					400 (9 x 40)			325	46
CRWM 4-440					440 (10 x 40)			360	51
CRWM 4-480	480 (11 x 40)	388	55						

Note⁽¹⁾: This value shows mass per one set of ways (one center way and two side ways) per one meter.
⁽²⁾: This value shows mass of one roller cage in which ten rollers are incorporated.
⁽³⁾: This value shows load per one roller.

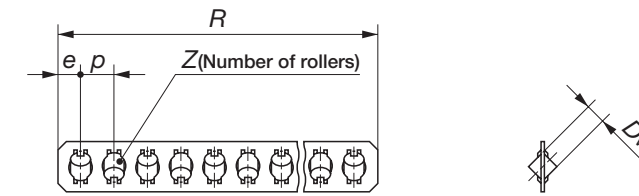
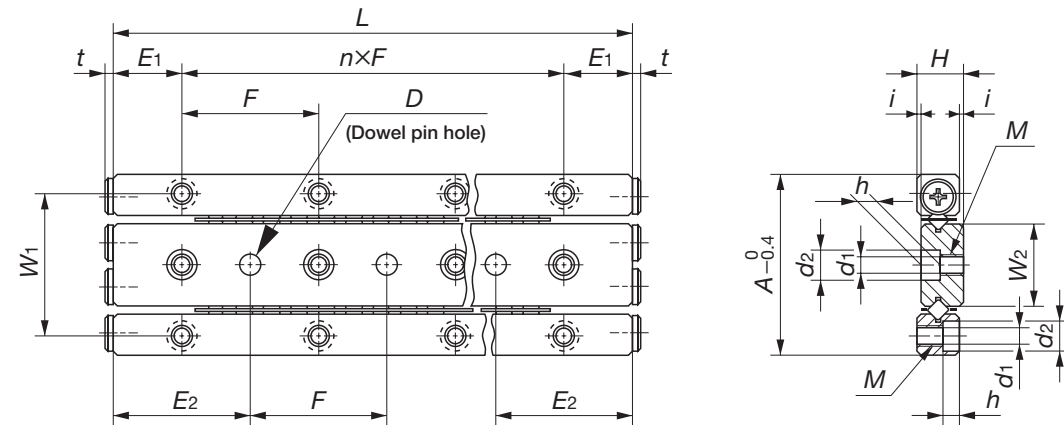
Nominal dimensions and tolerances mm													Basic dynamic load rating Cu ⁽³⁾ N	Basic static load rating C0u ⁽³⁾ N	Allowable load Fu ⁽³⁾ N
p	e	W1	W2	E1	E2	M	d1	d2	h	D	Tolerance	t			
5	3.5	29	16.6	12.5	25	M4	3.3	6	3.1	4	$\begin{matrix} +0.012 \\ 0 \end{matrix}$	2	638	609	203
7	5	35	20	20	40	M5	4.3	7.5	4.1	5	$\begin{matrix} +0.012 \\ 0 \end{matrix}$	2	1 230	1 180	392



IKO Crossed Roller Way



Module type
CRWM



Model number	Mass (Ref.)		Boundary dimensions				Dimensions of roller cage		
	Way ⁽¹⁾ kg/m	Roller cage ⁽²⁾ g	A	H	L (n x F)	i	Dw	R	Z
CRWM 4- 80A	3.96	6.91	48	12.5	80 (1 x 40)	0.5	4	73	10
CRWM 4-120A					120 (2 x 40)			101	14
CRWM 4-160A					160 (3 x 40)			136	19
CRWM 4-200A					200 (4 x 40)			164	23
CRWM 4-240A					240 (5 x 40)			199	28
CRWM 4-280A					280 (6 x 40)			227	32
CRWM 4-320A					320 (7 x 40)			262	37
CRWM 4-360A					360 (8 x 40)			297	42
CRWM 4-400A					400 (9 x 40)			325	46
CRWM 4-440A					440 (10 x 40)			360	51
CRWM 4-480A					480 (11 x 40)			388	55

Note⁽¹⁾ : This value shows mass per one set of ways (one center way and two side ways) per one meter.
⁽²⁾ : This value shows mass of one roller cage in which ten rollers are incorporated.
⁽³⁾ : This value shows load per one roller.

Nominal dimensions and tolerances mm													Basic dynamic load rating Cu ⁽³⁾ N	Basic static load rating C0u ⁽³⁾ N	Allowable load Fu ⁽³⁾ N
p	e	W1	W2	E1	E2	M	d1	d2	h	D	Tolerance	t			
7	5	38	22	20	40	M5	4.3	8	4.1	5	+0.012 0	2	1 230	1 180	392



U.S. PATENTED

Anti-Creep Cage Crossed Roller Way

CRWG

IKO Anti-Creep Cage Crossed Roller Way is the product with a cage creep proof function using a rack and pinion mechanism originated from **IKO** Crossed Roller Way, featuring smooth linear motion with super high accuracy.

Reliable running performance

Perfect solution for cage creeping problems by a built in rack and pinion mechanism as an **IKO** original design.

Freedom in mounting

This series is reliable for applications such as a vertical axis for which the existing Crossed Roller Way is not easy to use.

Applicable to high-speed and high-tact operation

Any corrective operation for cage creeping is not necessary even for a long-time operation.

Interchangeable in dimensions

It has full interchangeability with the existing Crossed Roller Way in mounting dimension. Since the series has the same external dimensions to those of the existing Crossed Roller Way and can be easily replaced without any modification on the machine or equipment using the existing Crossed Roller Way.

Energy-saving in operation

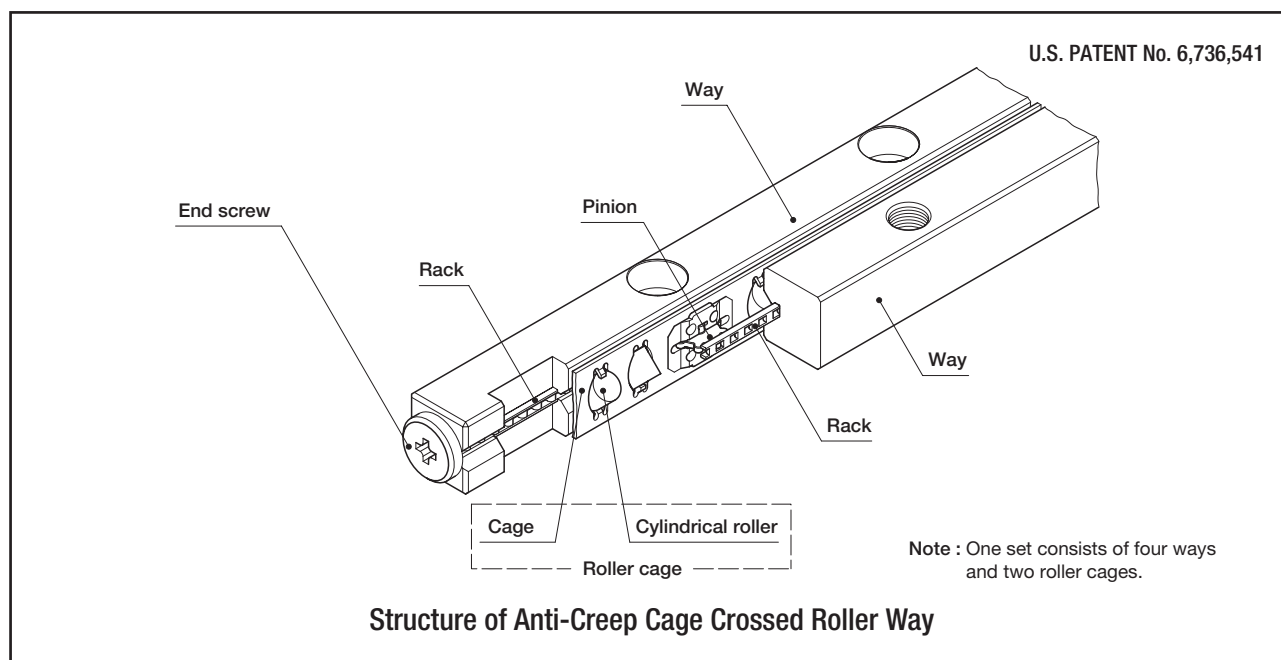
Any corrective operation for cage creeping is not necessary even for a long-time operation.

Smooth operation

Precisely finished raceways are combined with roller cages, in which the length of super precise roller is accurately controlled to avoid skewing. Very smooth linear motion with very little frictional resistance and free from stick-slip can be achieved.

Easy mounting

The mounting holes of the ways are female thread holes with a counter bore. So the mounting method is flexible, allowing the ways to be mounted either by inserted through the holes prepared on machines. Mounting structure can be designed freely.



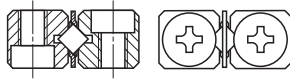
Anti-Creep Cage Crossed Roller Way series

Shape

Model code

Anti-Creep Cage Crossed Roller Way

Standard type



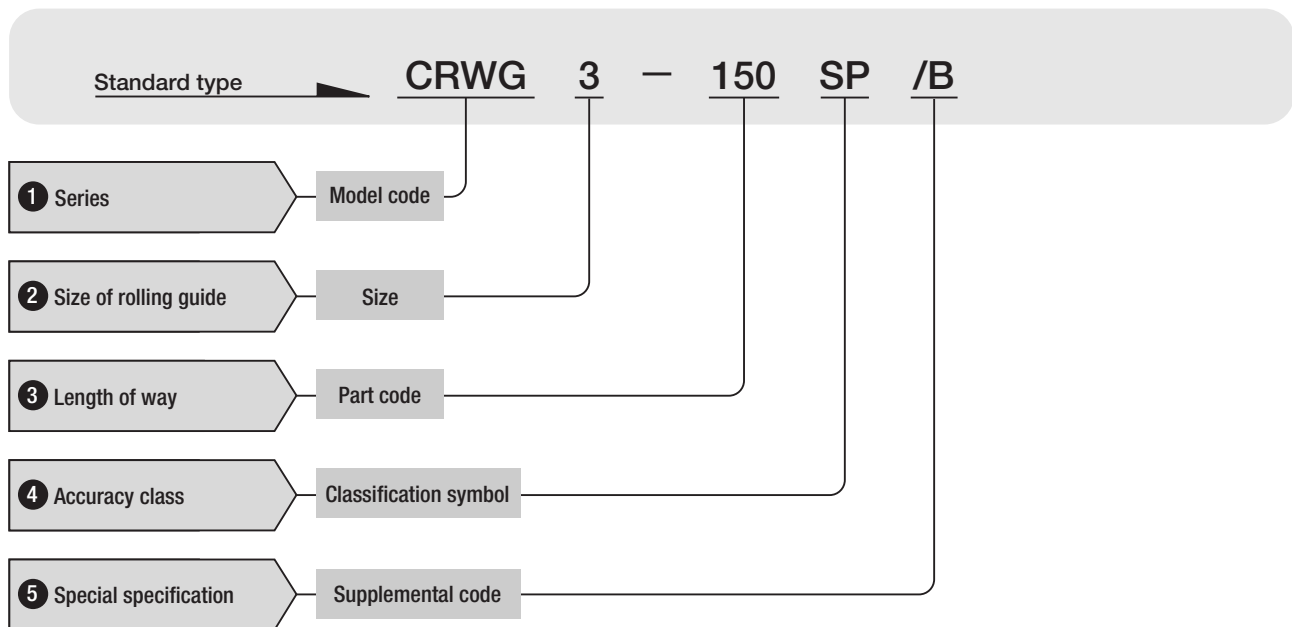
CRWG

CRWG



● Identification number and specification

The specification of Anti-Creep Cage Crossed Roller Way is indicated by the identification number. Indicate each specification by using a model code, size, part code, classification symbol, and supplemental codes. The ordering unit is a set of the combination of four ways and two roller cages.



1 Series

Standard type : CRWG

2 Size

Applicable type and size are shown in Table 1.

Table 1 Type and size

Size	Type	Carbon steel
2		○
3		○
4		○

3 Length of way

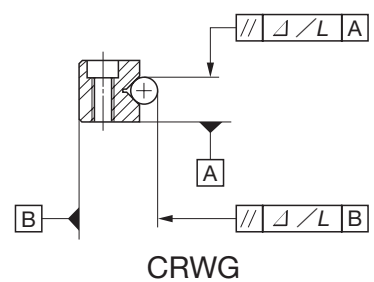


The length of way is indicated in millimeters. For applicable way lengths, please refer to the dimension table.

4 Accuracy class

Standard : No symbol
 Super precision : SP

For the allowable values of parallelism of the raceway to the reference mounting surface, see Fig.1.



CRWG

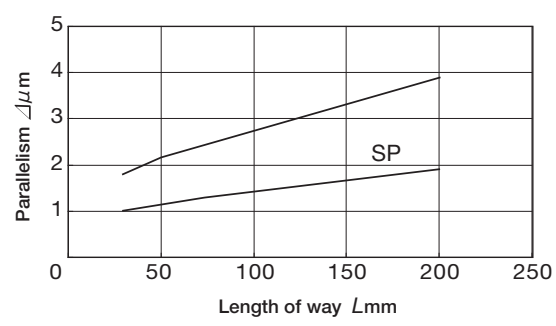
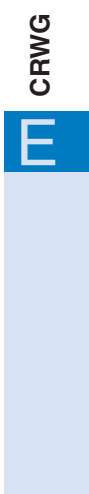


Fig.1 Accuracy of Anti-Creep Cage Crossed Roller Way



5 Special specification

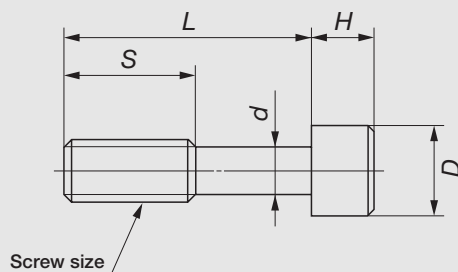
Detail of special specification of Crossed Roller Way is shown below. Indicate any specification by adding the supplemental code to the end of the identification number.

Special mounting screw /B

The way on the preload adjustment side is moved when the preload is adjusted. There should be some allowance for movement between the way fixing screw and the mounting hole. When such allowance cannot be provided or when the fixing screw is installed from the way side as shown in Fig. 2, it is convenient to use the attached special mounting screws.

This special mounting screw is also available when the positional accuracy of the mounting holes and female screws of the machine on which the fixed side ways are mounted is not sufficient.

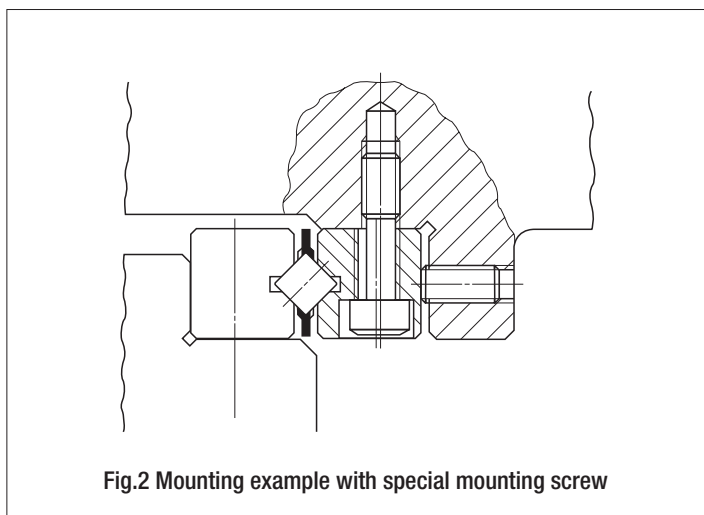
Table 2 Dimensions of special mounting screws



unit : mm

Size of CRWG	Screw size	d	D	H	L	S
3	M 3	2.3	5	3	12	5
4	M 4	3.1	6	4	15	6

Remark : Not applicable to size2



Load Rating and Allowable Load

For the load rating and allowable load of Anti-Creep Cage Crossed Roller Way, values for a downward load provided when a combination of four ways and two roller cages is used in parallel are indicated. An outline of them is described below.

The load ratings and allowable load of Anti-Creep Cage Crossed Roller Way are designed for equal load capacity in downward, upward, and lateral directions.

● Basic dynamic load rating C

The basic dynamic load rating is defined as a constant load both in direction and magnitude under which a group of identical Crossed Roller Way are individually operated and 90% of those in the group can travel 100×10^3 meters free from material damage due to rolling contact fatigue.

● Basic static load rating C_0

The basic static load rating is defined as the static load that gives a prescribed constant contact stress at the center of the contact area between a rolling element and raceways receiving the maximum load.

● Allowable load F

The allowable load is a load under which the sum of elastic deformations of the rolling element and the raceways in the contact area subjected to the maximum contact stress is small enough to guarantee accuracy and smooth rolling movement.

Therefore, where very smooth and highly accurate linear motion is required, make sure to use an Anti-Creep Cage Crossed Roller Way well within the allowable load values.

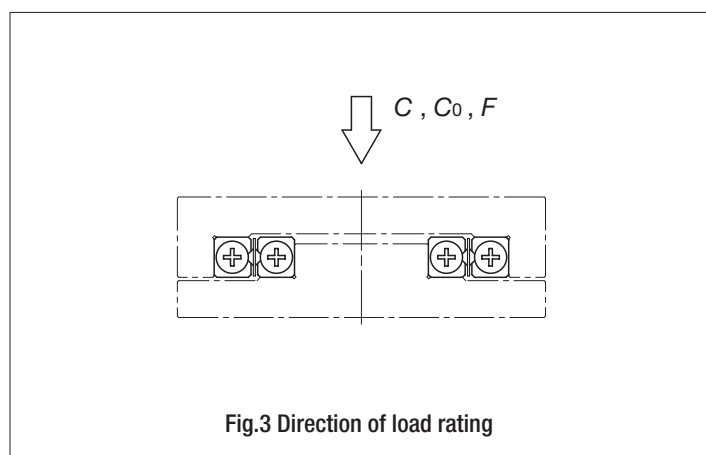
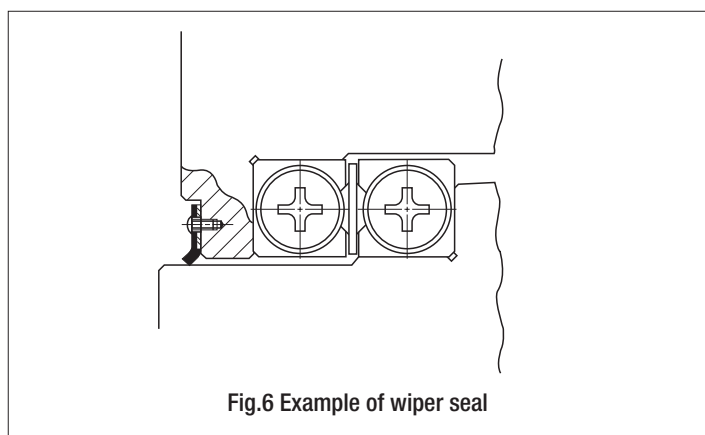
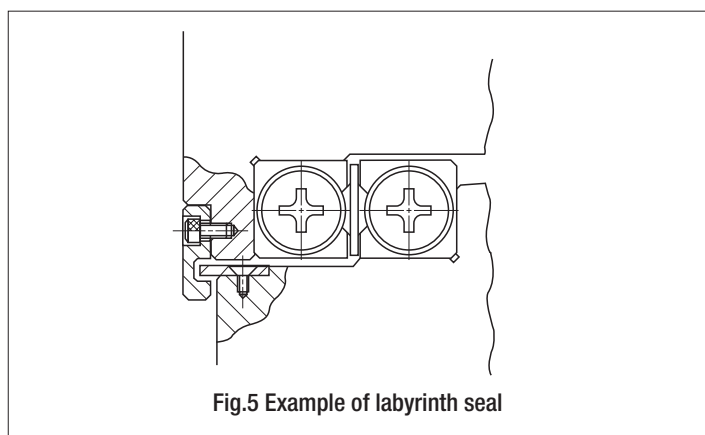
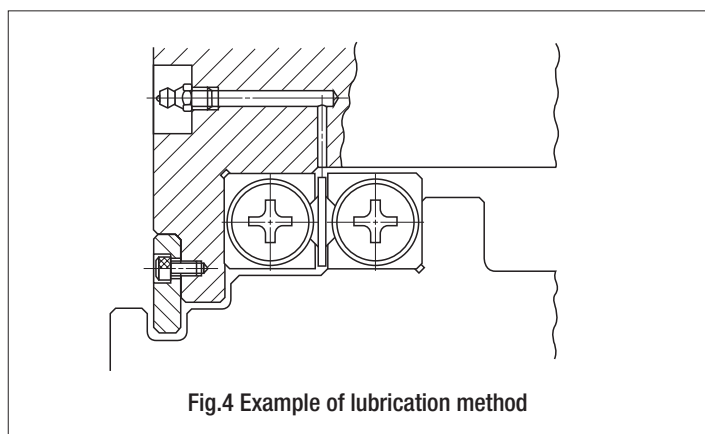


Fig.3 Direction of load rating

Lubrication and dust protection

Oil or grease is used as a lubricant for Anti-Creep Cage Crossed Roller Way. Oil is generally used for high speed or low friction operation. On the other hand, grease is used when operating speed is low. In case of grease lubrication, good quality lithium-soap base grease is recommended. When operation speed is low and load is light, coat the raceways with grease before use and rubricate periodically. Structure show in Fig.4 makes the lubrication easy.

Anti-Creep Cage Crossed Roller Way is finished in production very accurately. If harmful foreign materials such as dust or chips enter inside the ways, this will shorten the life or lower the accuracy. With the object of preventing external harmful foreign materials such as dust, chips and water from entering inside, it is recommended to install a non-contact-type labyrinth seal shown in Fig. 5 or a contact type wiper seal shown in Fig. 6 on both side faces.



Precautions for use

1 Specifications of Anti-Creep Cage Crossed Roller Way

Check whether the operating characteristics of the selected Anti-Creep Cage Crossed Roller Way are suitable for the application of the machine or equipment.

2 Handling of Anti-Creep Cage Crossed Roller Way

Anti-Creep Cage Crossed Roller Ways are finished in production very accurately, so handle carefully. A pinion is assembled in the roller cage. If the cage is dropped or handled roughly, the pinion may come off. As cutting off the cage may cause the pinion coming off or damage to the pinion mounting part, so please avoid cutting off the cage.

A rack is assembled in the way and fixed its position with the end screws. When assembling, the rack may come out from the way by removing the end screws.

3 Accuracy of the mounting part

The general configuration of mating mounting surfaces for Anti-Creep Cage Crossed Roller Way is shown Fig. 7.

Accuracy of the mating mounting surfaces are, in general, as shown in Table 3. The accuracy of the mating mounting surfaces directly affects the operating accuracy and performance of Anti-Creep Cage Crossed Roller Way. If very precise operating accuracy is required, higher accuracy of mating mounting surfaces than the values shown in Table 3 may be needed.

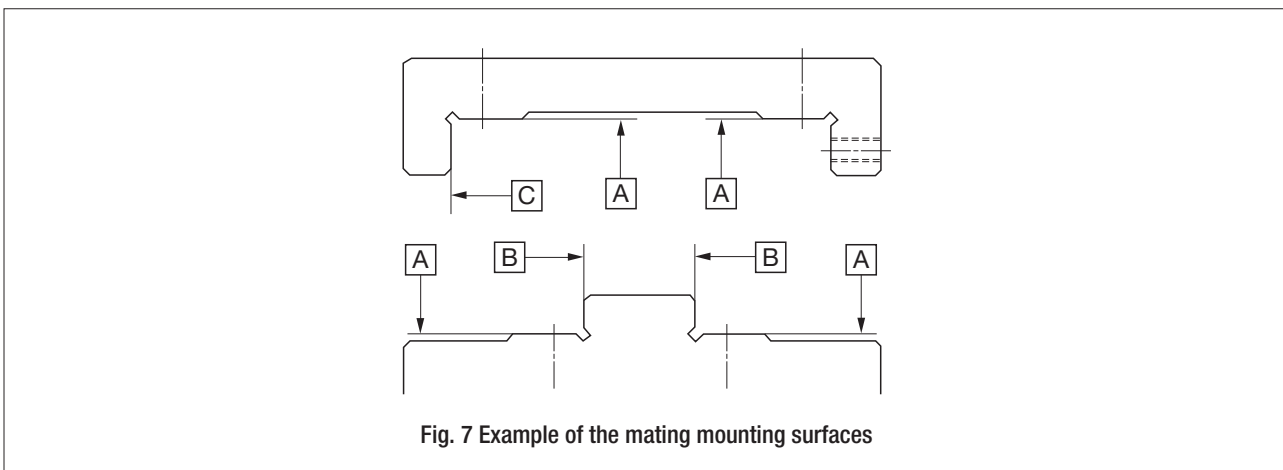


Fig. 7 Example of the mating mounting surfaces

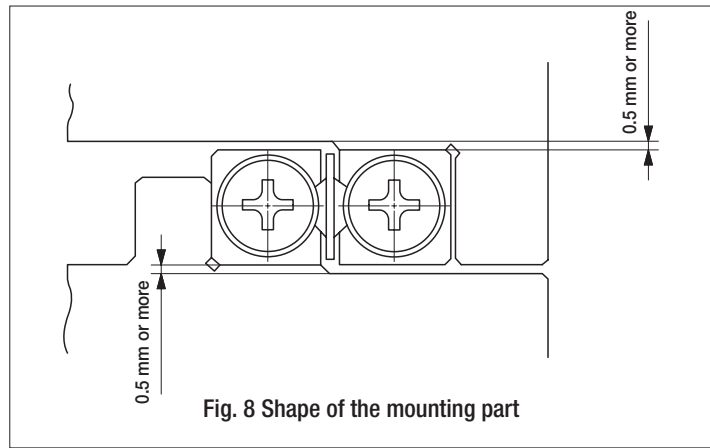
Table 3 Accuracy of mating mounting surfaces

A surface	<ul style="list-style-type: none"> This accuracy directly affects the operating accuracy. Flatness of A surface (four places) should be equal or nearly equal to the value of parallelism in Fig. 1 on page E-51.
B and C surfaces	<ul style="list-style-type: none"> Flatness Flatness of these surfaces directly affects preload. The value of flatness should be equal or nearly equal to the value of parallelism in Fig. 1 on page E-51. Squareness Squareness to A surface affects the rigidity of assembled unit in the preload direction. Consequently, a high accuracy finish is necessary.

CRWG

④ Shape of the mounting part

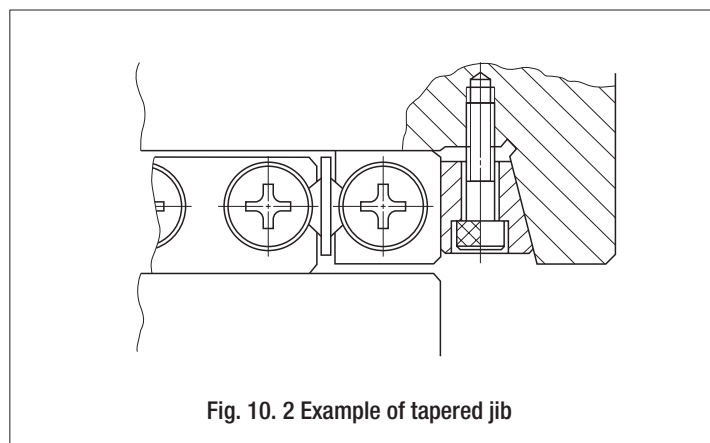
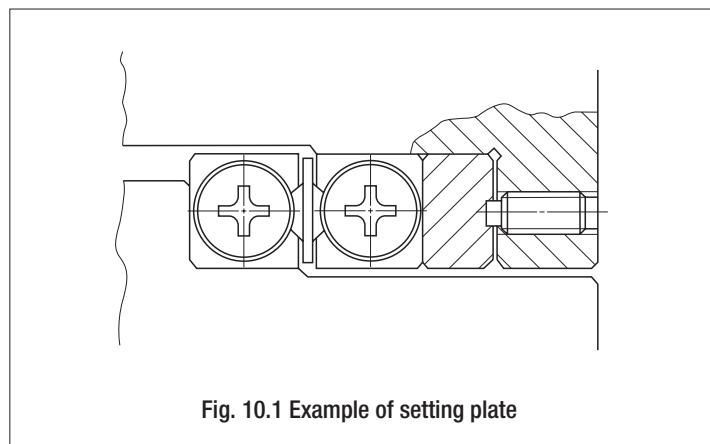
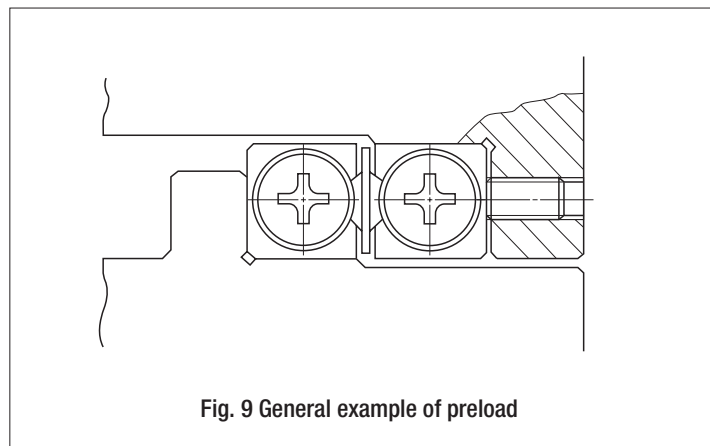
It is recommended to make a relieved fillet at the corner of the mating mounting surfaces as shown in Fig.8. Allow a clearance of 0.5 mm or more between the way and the mating material of the other side.



⑤ Preload method

Preload adjusting screws are generally used for setting preload, as shown in Fig.9. The size of the preload adjusting screws are the same as that of the mounting screws for the ways. The position of the preload adjusting screws is at the same position as the mounting screws of the ways. For centering, use half of way height H.

Preload amounts differ according to the application of machine or equipment. Excessive preloads deteriorate life and often damage the raceways. Therefore, zero or minimal preload is recommended in general. If accuracy and rigidity are important, a setting plate as shown in Fig.10.1 or a tapered jib as shown in Fig.10.2 may be used.



⑥ Maximum operating temperature

Anti-Creep Cage Crossed Roller Way contains synthetic resin parts. Accordingly, the maximum operating temperature is 120°C. In case of continuous operation, operating temperature should not exceed 100°C.

⑦ Maximum speed

The operating speed of Crossed Roller Way should not exceed 30m/min.

⑧ Tightening torque of mounting screws

Tightening torque of mounting screws is shown in Table 4. If vibration or shock is large, or moment load is applied, it is recommended to tighten the screws to about 1.3 times the values shown in Table 4. If vibration and shock are not present and high operating accuracy is needed, a lower tightening torque than the values shown in Table 4 is suggested. In this case, adhesive or lock-screws may be used to prevent any subsequent loosening of the mounting screws.

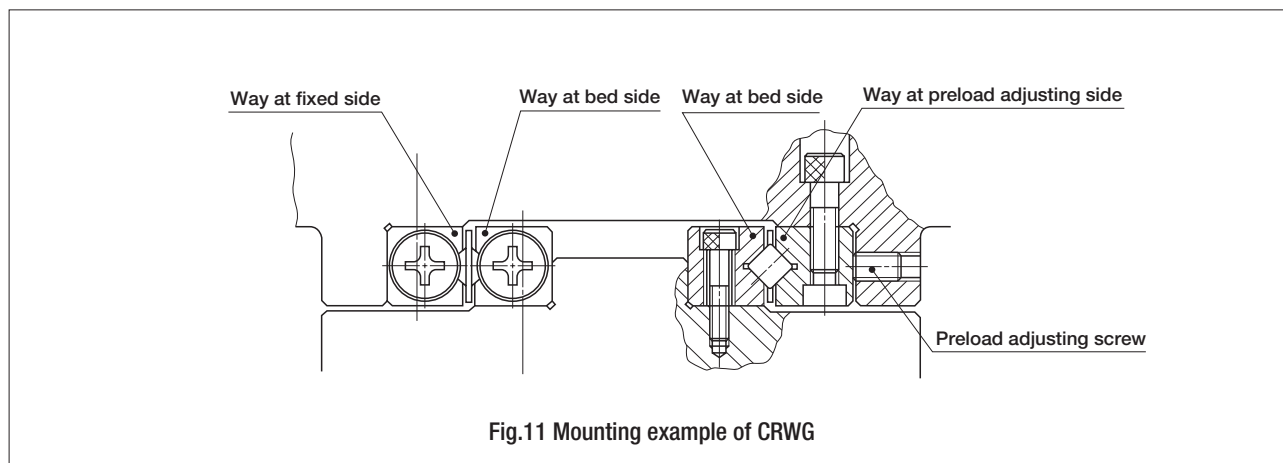
Table 4 Tightening torque of screws

Screw size	Tightening torque N·m
M2×0.4	0.23
M3×0.5	1.4
M4×0.7	3.2
M5×0.8	6.3

Remark : If the screw sizes on table side and bed side are different, use the tightening torque of the smaller screw size for both screws.

Mounting

A general method of Anti-Cage Creep Crossed Roller Way is shown in Fig.11. The general procedure is as follows.

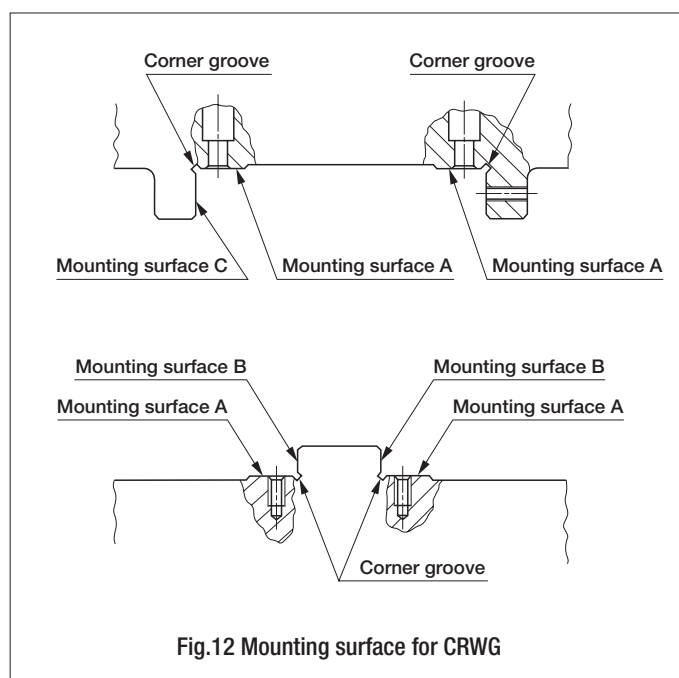


1 Preparation for mounting

- CRWG is delivered as an individual package containing four ways and two roller cages. The ways in each package are not interchangeable with ways in other packages, so do not mix them.
- Separate the end screws or end stoppers and wash the ways with a clean cleaning agent. After cleaning, apply rust preventing oil or lubricating oil.

2 Cleaning of mounting surfaces of table and bed

- Remove burrs and blemishes from mounting surfaces of table and bed with an oil-stone, etc. During this process, also pay attention to the corner grooves of the mounting surfaces.
- Wipe off dust with clean cloth and apply rust preventive oil or lubricating oil.



3 Mounting of ways at bed side (Fig.13)

- After fitting mounting surface of ways onto the mating mounting surfaces of bed, temporarily tighten the mounting screws with uniform tightening torque.
- After closely fitting the ways to B surfaces (See Fig.12), tighten mounting screws uniformly to the prescribed tightening torque.
- If high accuracy is required, tighten the mounting screws uniformly to the prescribed tightening torque while checking the parallelism of the two ways along the overall way length.
- General tightening torque of mounting screws is shown in Table 4 on page E-57.

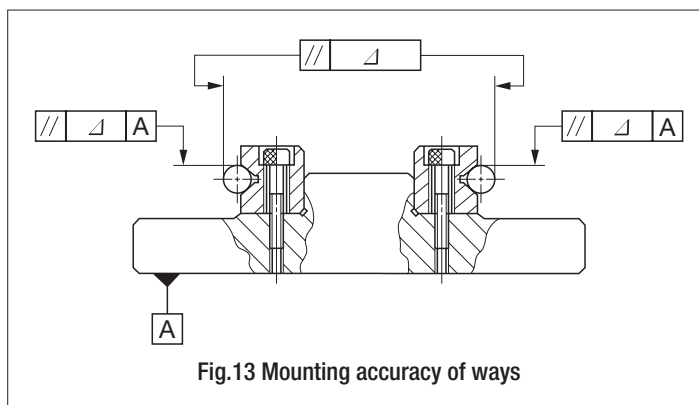


Fig.13 Mounting accuracy of ways

4 Mounting of ways at table side (Fig.14)

- After fitting the mounting surfaces of the way at the fixed side to the mating mounting surfaces of table, temporarily tighten the mounting screws at the fixed side with uniform tightening torque.
- After closely fitting the way at the fixed side to C surface, tighten the mounting screws at the fixed side uniformly to the prescribed tightening torque.
- Loosen the preload adjusting screws and temporarily tighten the mounting screws of the way at adjusting side with uniform and light tightening torque.

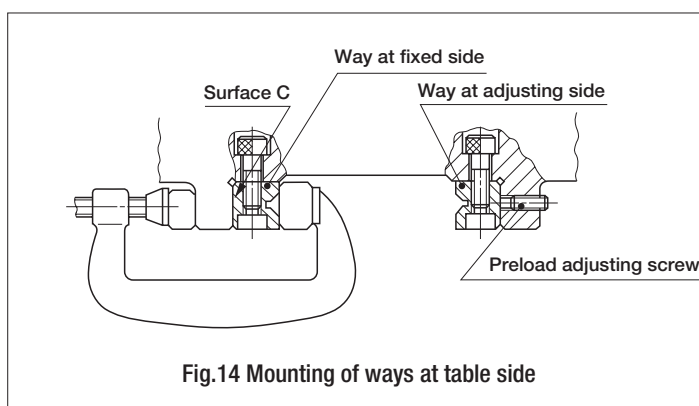


Fig.14 Mounting of ways at table side

5 Assembling of table and bed

- Remove end screws from the way at table side and way at the bed-side in the side to which the cylindrical rollers with a retainer are inserted. (See Fig.15.1)

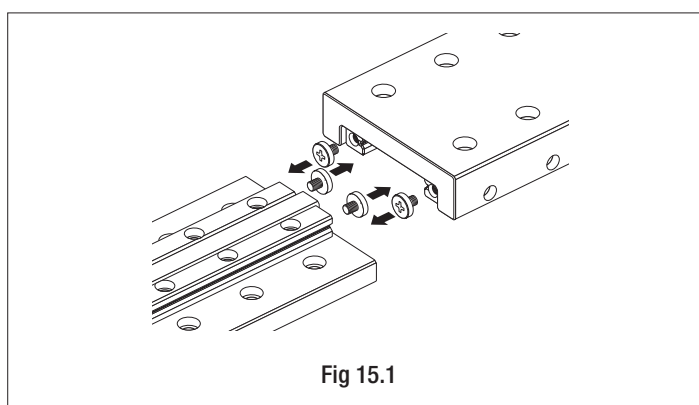


Fig 15.1

- Place the cylindrical rollers with a retainer on the way at bed-side with the center of the pinion gear in the center of the retainer engaged with the end of the rack gear of the way. (See Fig.15.2) Do not bend the retainer.

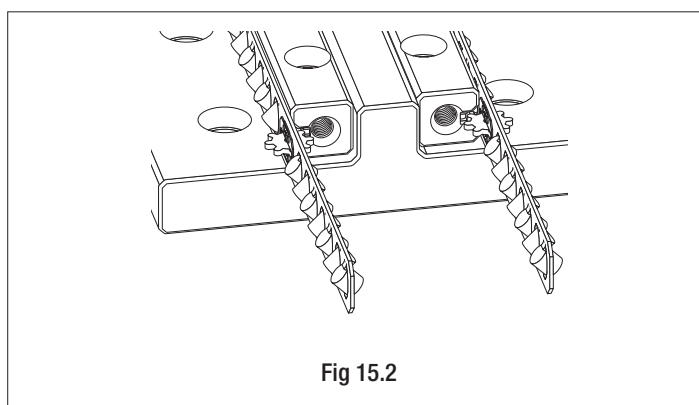
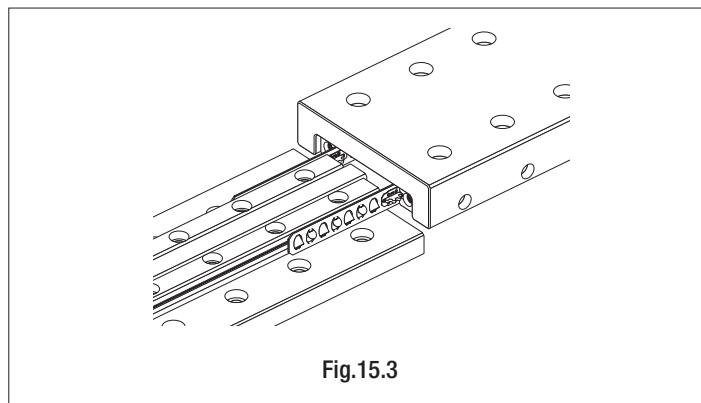
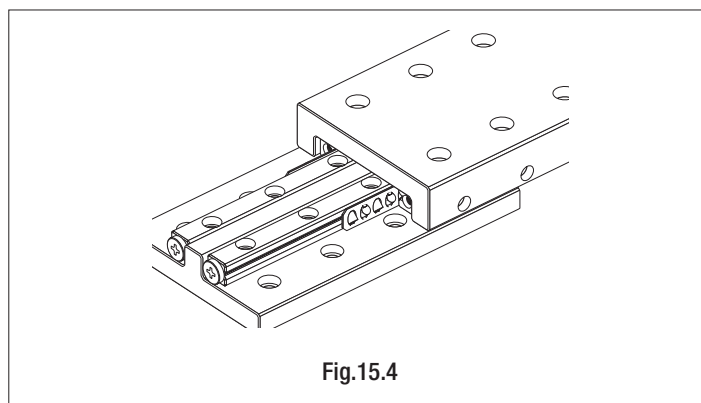


Fig 15.2

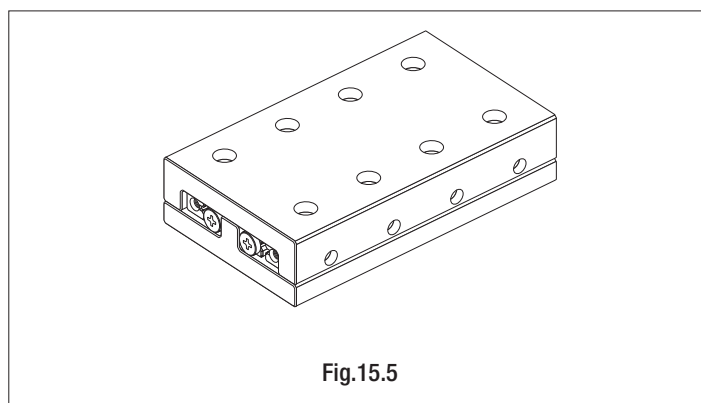
- Engage the end of the rack gear of the way at table side with the pinion gear while adjusting the longitudinal and traverse positions of the way at table-side and pushing the retainer to secure. Do not give any excessive force to the cage. (See Fig.15.3)



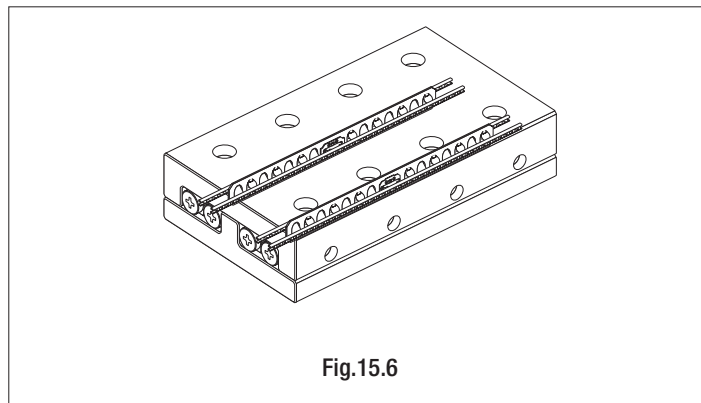
- Slide the table on the base. Do not apply any offset load to the rack gear and the pinion gear and do not deform the cage. Check and make sure the rack gear is over the end of the way. If the rack gear is over the end of the way, gently push the rack gear into the way while moving the table at a little stroke. (See Fig.15.4)



- Slide the table to the center of the stroke and tighten the end screws. (See Fig.15.5)



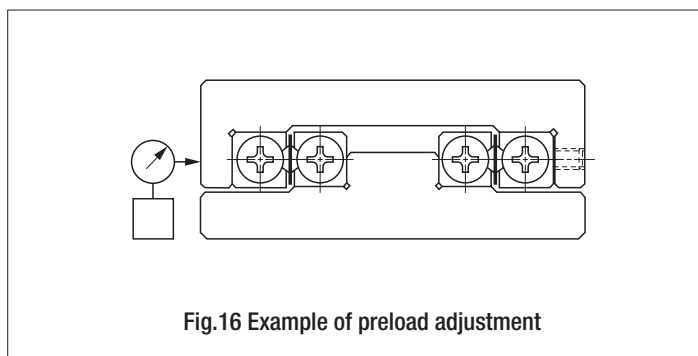
- Gently move the table at a full stroke and make sure that the cylindrical roller at each end of the retainer does not hit the end screw of the track base within the stroke. If the roller hits the retainer end, repeat the above steps from the first. (See Fig.15.6)



After checking the stroke movement, adjust the preload, check the slide movement of the table and check the accuracy. With this, the mounting procedure of the CRWG crossed roller way is completed.

6 Preload adjustment

- Preload adjustment is done only when mounting screws for the way at the adjusting side are temporarily tightened.
- Preload adjustment is started from the adjusting screw at the center of the way length, proceeding alternately to the left and right.
- While checking the clearance (deflection) at the side surface of table, tighten each amount, then repeat the same process applying a higher tightening torque until a dial gauge indicates zero-clearance. (No more change in deflection) Record the tightening torque of the adjusting screws at zero-clearance.
- When adjusting the screws close to the end of the way, gradually stroke the table and ensure that the roller cage is positioned at the adjusting screws.
- Using the above process, the internal clearance becomes zero or minimal amount of preload, but the preload amount is not uniform along the way length. Therefore, repeat the same process and tighten all adjusting screws uniformly to the recorded tightening torque.

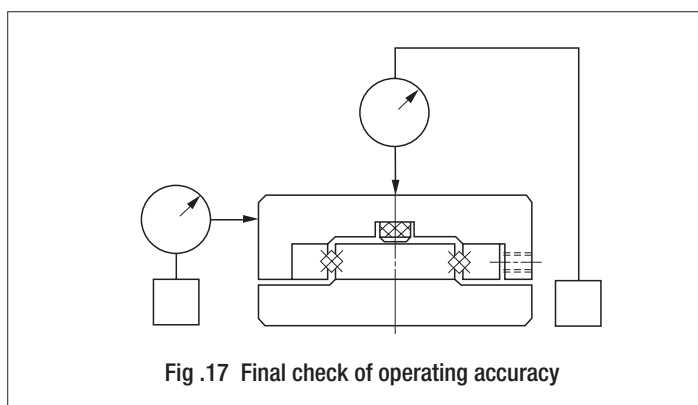


7 Final fixing of the way at adjusting side

- The mounting screws have been tightened lightly to a uniform torque. Similar to the adjustment of the preload adjusting screws, temporarily tighten the mounting screws at the adjusting side to a slightly lower tightening torque than the prescribed value. Start from the center screw of the way length and proceed alternately to the left and right.
- When tightening the mounting screws close to the end of the way, gradually stroke the table and ensure that the roller cage is positioned at the mounting screw.
- Finally, tighten all mounting screws at the adjusting side uniformly to the prescribed torque similar to the adjustment of the preload adjusting screws.

8 Final checking (Fig.17)

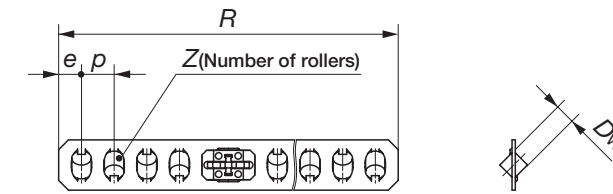
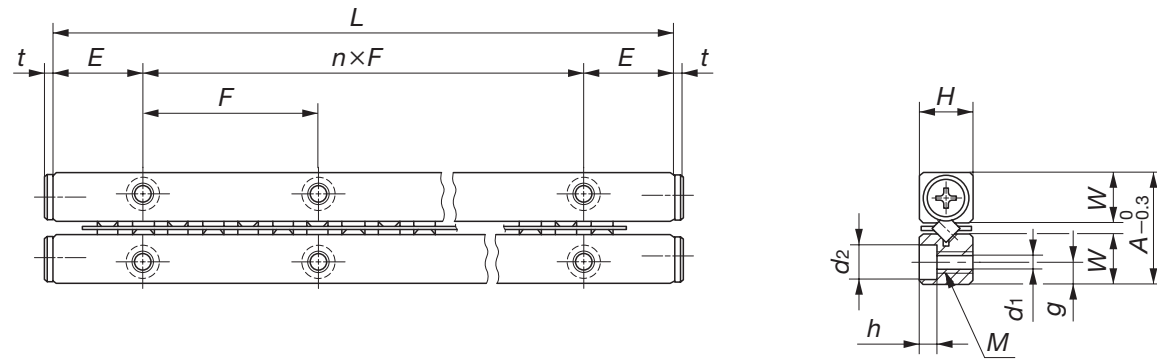
- Stroke the table gradually till its full stroke length, ensuring that the stroke is smooth and quiet.
- Check the operating accuracy by measuring the upper and side faces of table with a dial gauge.



IKO Anti-Creep Cage Crossed Roller Way



Standard type
CRWG



Model number	Mass (Ref.)		Boundary dimensions				Dimension of roller cage	
	Way ⁽¹⁾ g	Roller cage ⁽²⁾ g	A	H	L (n×F)	E	Dw	R
CRWG 2- 30	6.53	0.38	12	6	30 (1×15)	7.5	2	25.6
CRWG 2- 45	9.53	0.72			45 (2×15)			41.6
CRWG 2- 60	12.5	0.88			60 (3×15)			49.6
CRWG 2- 75	15.5	1.22			75 (4×15)			65.6
CRWG 2- 90	18.5	1.39			90 (5×15)			73.6
CRWG 2-105	21.5	1.72			105 (6×15)			89.6
CRWG 3- 50	22.8	1.69	18	8	50 (1×25)	12.5	3	42
CRWG 3- 75	33.3	2.71			75 (2×25)			62
CRWG 3-100	43.8	3.72			100 (3×25)			82
CRWG 3-125	54.4	4.74			125 (4×25)			102
CRWG 3-150	64.9	5.75			150 (5×25)			122
CRWG 4- 80	59.6	9.70	22	11	80 (1×40)	20	4	73
CRWG 4-120	88.0	12.0			120 (2×40)			101
CRWG 4-160	116	14.3			160 (3×40)			129
CRWG 4-200	145	16.7			200 (4×40)			157

Note⁽¹⁾ : The value shows mass of one piece of way.
⁽²⁾ : The value shows mass of one roller cage.

Nominal dimensions mm										Maximum stroke length mm	Basic dynamic load rating C N	Basic static load rating C ₀ N	Allowable load F N
Z	p	e	W	g	M	d ₁	d ₂	h	t				
4	4	2.8	5.5	2.5	M3	2.55	4.4	2	1.5	9	912	1 180	392
8										7	1 560	2 350	783
10										21	1 860	2 940	979
14										19	2 420	4 120	1 370
16										33	2 680	4 700	1 570
20										31	3 190	5 880	1 960
6	5	3.5	8.3	3.5	M4	3.3	6	3.1	2	13	2 740	3 650	1 220
10										23	4 080	6 090	2 030
14										33	5 300	8 530	2 840
18										43	6 440	11 000	3 650
22										53	7 530	13 400	4 470
8										7	5	10	4.5
12	38	9 140	14 200	4 700									
16	62	11 400	18 900	6 270									
20	86	13 600	23 600	7 840									



U.S. PATENTED

Crossed Roller Way Unit

CRWU

IKD Crossed Roller Way Unit is a linear motion rolling guide unit for limited stroke linear motion, incorporating **IKD** Crossed Roller Way CRW in a table and bed of high rigidity which are finished by grinding. Elastic deformation under load is small in all directions and very smooth linear motion with high rigidity is obtained.

Wide variations in size are available for selections suitable for each application.

High accuracy

A one-piece center way is mounted on a bed of simple configuration which avoids any potential errors from machining and assembled with side ways mounted on a table, achieving linear motion of stable high accuracy.

High rigidity

Integrated design is applied to component parts as well as the table and bed to provide maximum rigidity. The assembled unit consequently demonstrates low elastic deformation against loads in any direction and performs with very high rigidity.

Smooth operation

A one-piece center way which avoids any potential processing and mounting errors is combined with super precise cylindrical rollers. So very smooth linear motion free from stick-slip can be obtained.

A variety of available models and sizes

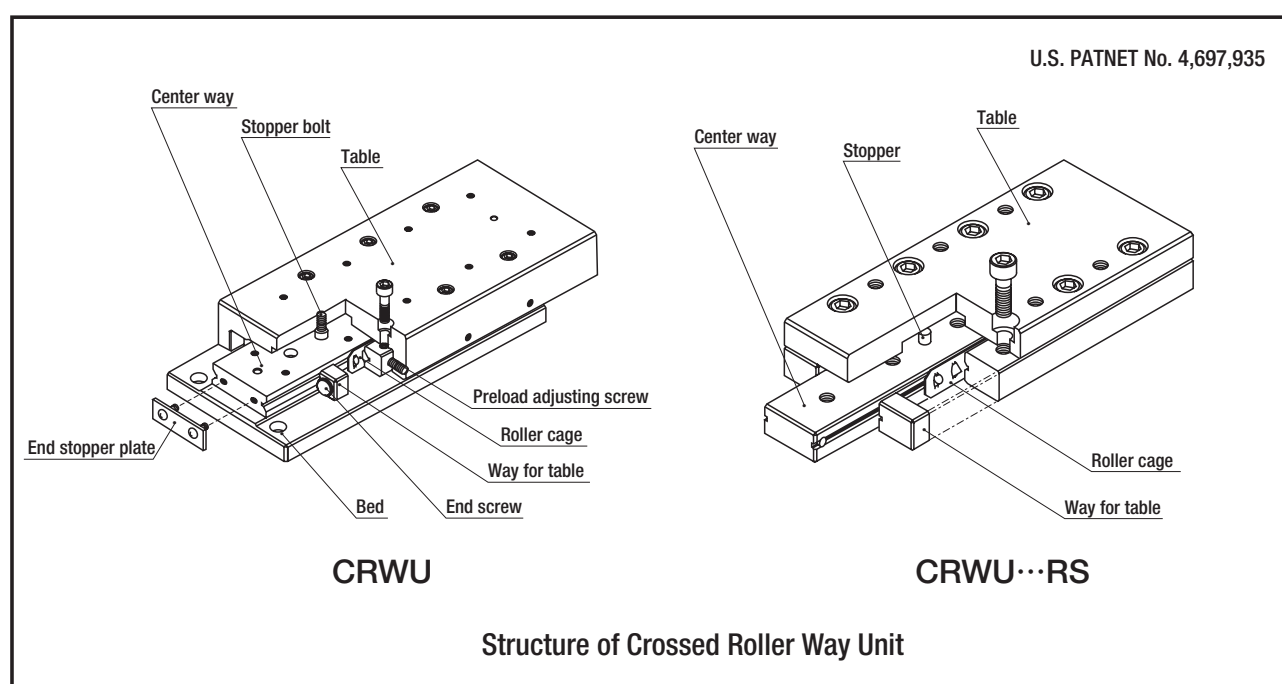
Crossed Roller Way Unit is available in three types. In addition, many different sizes in each type are provided to meet diverse dimensional requirements of machines and equipment.

Easy mounting

Mounting surfaces of the table and bed are precisely finished by grinding. Female threads in the table and counterbored mounting holes in the bed are prepared for easy assembling.

Crossed Roller Way Unit is delivered from the factory with a finely adjusted preload in order to maintain high operating accuracy, rigidity and long life.

Therefore, by assembling Crossed Roller Way Unit into machines or equipment, a precise and durable linear motion mechanism can be easily obtained.

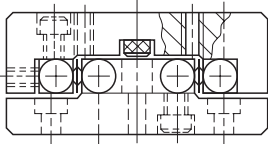


Crossed Roller Way Unit series

Shape

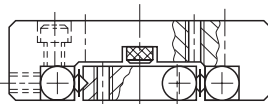
Model code

Crossed Roller Way Unit



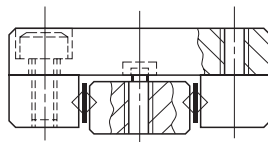
This type is a general purpose linear motion rolling guide unit. The table and bed are assembled with high accuracy and can be readily mounted onto machines or equipment with bolts.

CRWU



This type is a linear motion rolling guide unit featuring a low sectional height that is accomplished by simply removing the bed from the CRWU. Stable accuracy and high rigidity in linear motion can be achieved against loads in any direction.

CRWU...R



This type is a compact linear motion rolling guide unit featuring a simple lightweight structure, ideal for applications in which the center way is stroked and high accuracy with low inertia is required.

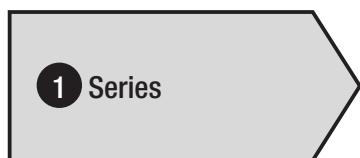
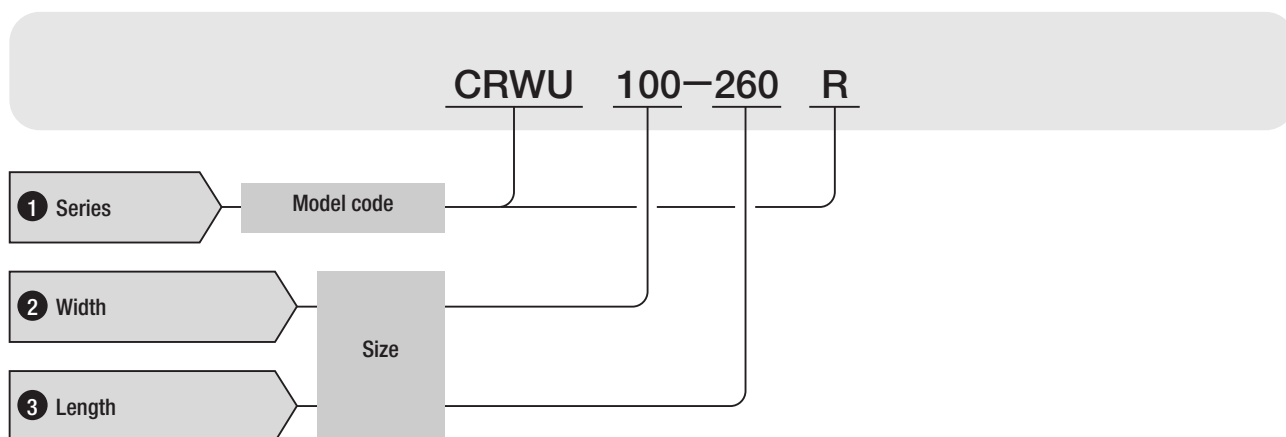
CRWU...RS

CRWU, CRWU...R, CRWU...RS



● Identification number and specification

The specification of Crossed Roller Way Unit is indicated by the identification number, consisting of a model code and a size. An example is shown below.



CRWU
CRWU...R
CRWU...RS



Indicate the width of table in mm.



Indicate the length of table in mm.

Load Rating and Allowable Load

Summarized descriptions of load ratings of Crossed Roller Way Unit are given below. For details of load rating definitions and load calculations, see "General description".

The load ratings for upward and lateral loads of Crossed Roller Way Unit are the same as those for downward load.

● Basic dynamic load rating C

The basic dynamic load rating is defined as the constant load both in direction and magnitude under which a group of identical Crossed Roller Way Units are individually operated and 90% of the units in the group can travel 100×10^3 meters free from material damage due to rolling contact fatigue.

● Basic static load rating C_0

The basic static load rating is defined as the static load that gives a prescribed constant contact stress at the center of the contact area between the rolling element and raceway receiving the maximum load.

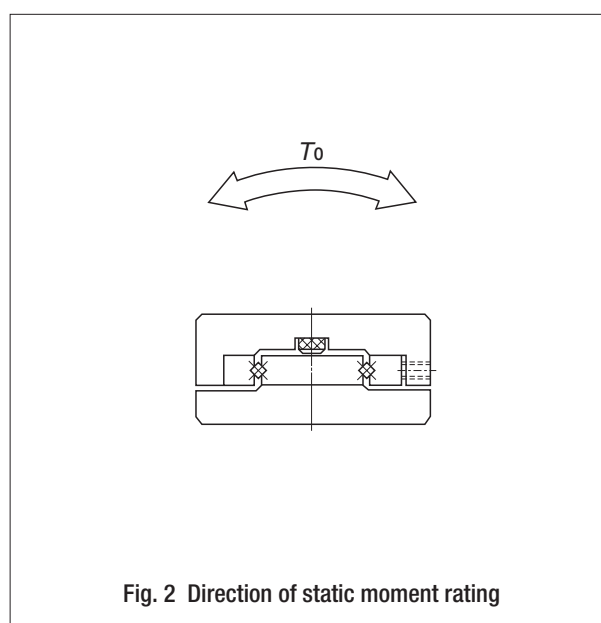
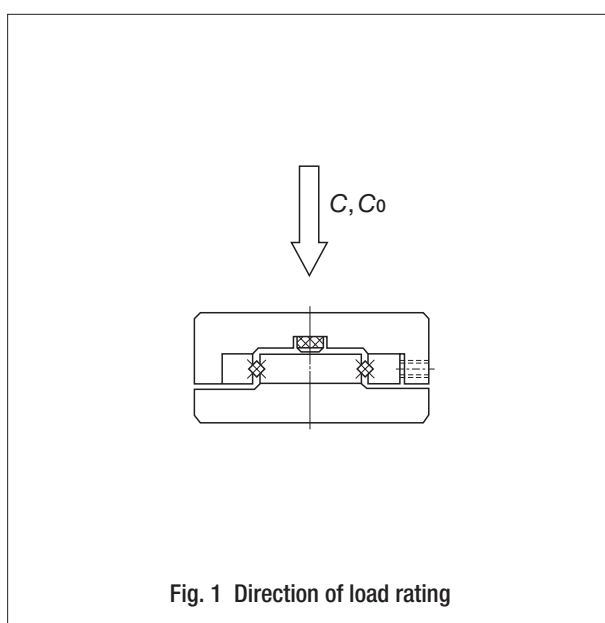
● Allowable load F

The allowable load is a load under which the sum of elastic deformations of the rolling element and the raceway in the contact area subjected to the maximum contact stress is small enough to guarantee accuracy and smooth rolling movement.

Therefore, when very smooth and highly accurate linear motion is required, make sure that the applied load on Crossed Roller Way Unit is well within the allowable load value.

● Static moment rating T_0

The static moment rating is defined as the static moment load that gives a prescribed constant contact stress at the center of the contact area between the rolling element and raceway receiving the maximum load when a moment is loaded.



Accuracy

The accuracy of Crossed Roller Way Unit is shown in Table 1.

Parallelism at table center shows the difference between the maximum and the minimum of table height when the table is stroked.

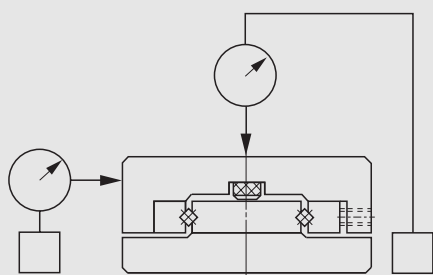
Parallelism at table side shows the difference between the maximum and the minimum of measured values at the table side (opposite to adjusting side) when the table is stroked.

The standard height tolerance of the unit is ± 0.1 mm. If several units are used on the same mounting surface and the height of those units require a limited height variation, units with a height variation of less than 0.01 mm among the several units to be used on the same mounting surface can be supplied on request.

If a special accuracy other than those shown in Table 1 is required, consult **IKO**.

Table 1 Accuracy of Crossed Roller Way Unit

unit : μm



Unit length L mm		Parallelism at table center	Parallelism at table side
over	incl.		
—	50	2	4
50	100	2	5
100	160	3	6
160	310	3	7
310	510	4	8
510	710	4	9
710	—	5	10

Precautions for Mounting and Use

1 Specification

Check whether the specifications of selected Crossed Roller Way Unit meet the requirements for the application of the machine or equipment.

2 Handling

Crossed Roller Way Unit is a precision product, so handle it with care.

In Crossed Roller Way Unit, the cage can be shifted from the normal position under an uneven load or irregular and high-speed motion. To correct the cage position, move the table in its full stroke after a certain operating time or reciprocating cycles.

Crossed Roller Way Unit does not contain synthetic resin parts and can be operated at high temperatures. But when the temperature exceeds 100 °C, consult **IKO**.

3 Mounting

(1) Tightening torque of mounting screws

Tightening torque of mounting screws is shown in Table 2. If vibration or shock is large, or if a moment load is applied, it is recommended to further tighten the screws to 1.3 times the listed values.

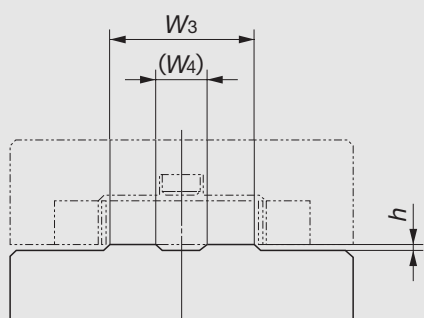
(2) Mounting dimensions of CRWU...R

In order to avoid interference of the table with the mating mounting surface, carefully check H_1 and H dimensions shown in the dimension tables and design the height of the mating mounting surface accordingly. Example of the mating mounting surface of the bed is shown in Table 3.

Table 2 Tightening torque of screws

Screw size	Tightening torque N·m
M2 ×0.4	0.23
M2.5×0.45	0.46
M3 ×0.5	1.4
M4 ×0.7	3.2
M5 ×0.8	6.3
M6 ×1	10.7
M8 ×1.25	25.6

Table 3 Example of mating mounting surface for CRWU...R



unit : mm

Model number	h (minimum)	W_3	W_4
CRWU 30 ... R	0.5	13	—
CRWU 40-35R	0.5	18	—
CRWU 40 ... R	0.5	13	—
CRWU 60 ... R	0.5	26.5	—
CRWU 80 ... R	0.5	38	16
CRWU 100 ... R	0.5	42	14
CRWU 145 ... R	1.0	68.5	28.5

4 Dowel pin hole

In the center way of the CRWU...R, dowel pin holes are prepared. When drilling a dowel pin hole in the bed, drill the hole in the bed through the dowel pin hole in the center way after assembling the center way on the bed. The diameters and tolerances of the center way hole are shown in the dimension tables.

5 Readjustment of preload

Preloads of Crossed Roller Way Unit are adjusted to zero clearance or minimal preload at the factory. Crossed Roller Way Unit does not usually require any further adjustment. If preload readjustment of the CRWU or CRWU...R is needed, adjust it according to "Preload adjustment" of the Crossed Roller Way shown on page E-23.

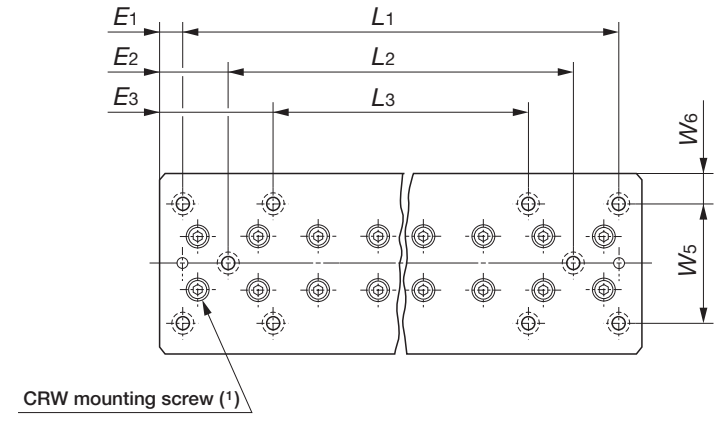
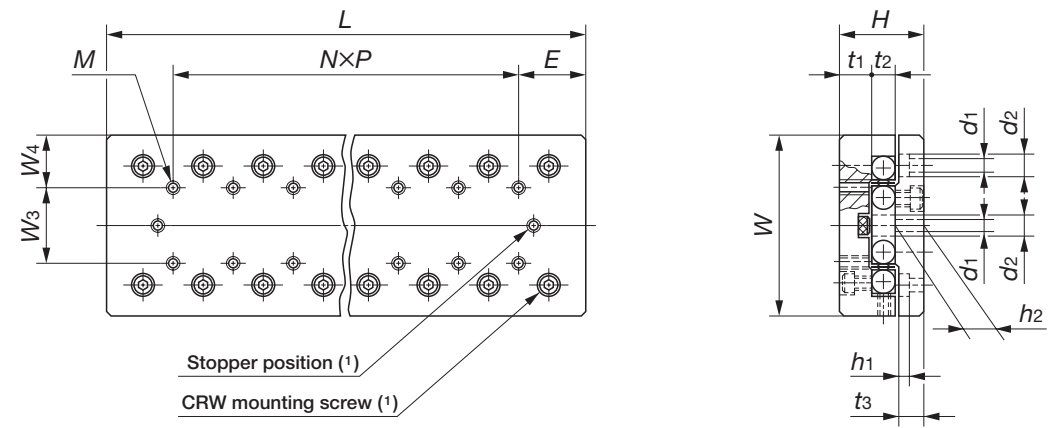
6 Operating speed

The operating speed of Crossed Roller Way Unit should not exceed 30 m/min.

IKO Crossed Roller Way Unit



CRWU



Model number	Mass (Ref.) kg	Boundary dimensions and tolerances mm									Table			
		W	Tolerance	H	Tolerance	L	t1	t2	t3	Maximum stroke length	W3	W4	N x P	E
CRWU 30- 25	0.09	30	±0.1	17	±0.1	25	7	4	5.5	12	10	10	—	12.5
CRWU 30- 35	0.13					35				18			1 x 10	
CRWU 30- 45	0.17					45				25			2 x 10	
CRWU 30- 55	0.20					55				32			3 x 10	
CRWU 30- 65	0.24					65				40			4 x 10	
CRWU 30- 75	0.28					75				45			5 x 10	
CRWU 30- 85	0.32					85				50			6 x 10	
CRWU 40- 35	0.21	40	±0.1	21	±0.1	35	8	6	6.5	18	15	12.5	—	17.5
CRWU 40- 50	0.30					50	30	1 x 15						
CRWU 40- 65	0.37					65	40	2 x 15						
CRWU 40- 80	0.48					80	50	3 x 15						
CRWU 40- 95	0.54					95	60	4 x 15						
CRWU 40-110	0.65					110	70	5 x 15						
CRWU 40-125	0.72					125	80	6 x 15						
CRWU 60- 55	0.68	60	±0.1	28	±0.1	55	10.5	8	9	30	25	17.5	—	27.5
CRWU 60- 80	1.0					80				45			1 x 25	
CRWU 60-105	1.3					105				60			2 x 25	
CRWU 60-130	1.6					130				75			3 x 25	
CRWU 60-155	1.9					155				90			4 x 25	
CRWU 60-180	2.2					180				105			5 x 25	
CRWU 60-205	2.5					205				130			6 x 25	

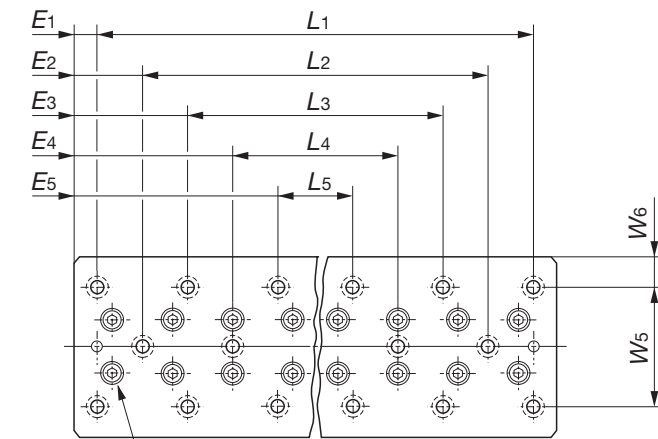
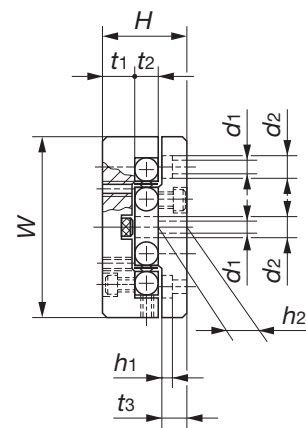
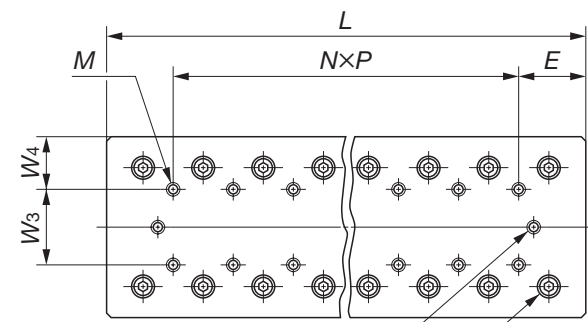
Note(1) : This is the mounting position for the stopper or CRW mounting screw.
For details, see page E-74.

Mounting dimensions mm													Basic dynamic load rating C N	Basic static load rating C0 N	Allowable load F N	Static moment rating T0 N·m		
M	W5	W6	L1	E1	L2	E2	L3	E3	d1	d2	h1	h2						
M2	22	4	18	3.5	—	—	28	13.5	2.55	4.1	2.5	6	380	478	159	3.2		
			28										—	—	525	717	239	4.8
			38										—	—	659	956	319	6.5
			48										—	—	786	1 200	398	8.1
			58										—	—	906	1 430	478	9.7
			68										—	—	1 020	1 670	558	11.3
M3	30	5	25	5	—	—	40	20	3.5	6	3.2	6	896	1 180	392	10.6		
			40										—	—	2 710	3 660	1 220	26.5
			55										—	—	2 710	3 660	1 220	26.5
			70										—	—	4 050	6 090	2 030	44.2
			85										—	—	3 400	4 880	1 630	35.3
			100										—	—	4 680	7 310	2 440	53.0
M4	40	10	35	10	—	—	—	—	4.5	7.5	4.5	9.5	2 710	3 660	1 220	51.2		
			60										—	—	4 050	6 090	2 030	85.3
			85										—	—	5 270	8 530	2 840	119
			110										—	—	5 860	9 750	3 250	137
			135										85	35	6 970	12 200	4 060	171
			160										110	35	8 040	14 600	4 880	205
M4	40	10	185	135	35	85	60	8 550	15 800	5 280	222							

IKO Crossed Roller Way Unit



CRWU



Model number	Mass (Ref.) kg	Boundary dimensions and tolerances mm								Table						
		W	Tolerance	H	Tolerance	L	t1	t2	t3	Maximum stroke length	W3	W4	N x P	E	M	W5
CRWU 80- 85	1.8	80	±0.1	35	±0.1	85	13	11	10.5	50	40	20	—	42.5	M5	60
CRWU 80-125	2.6					125				75			1 x 40			
CRWU 80-165	3.4					165				105			2 x 40			
CRWU 80-205	4.2					205				135			3 x 40			
CRWU 80-245	5.1					245				155			4 x 40			
CRWU 80-285	5.9					285				185			5 x 40			
CRWU 80-325	6.7					325				215			6 x 40			
CRWU 100-110	3.6	100	±0.15	45	±0.1	110	16	15	13	60	50	25	—	55	M6	60
CRWU 100-160	5.2					160				95			1 x 50			
CRWU 100-210	6.9					210				130			2 x 50			
CRWU 100-260	8.5					260				165			3 x 50			
CRWU 100-310	10.2					310				200			4 x 50			
CRWU 100-360	11.8					360				235			5 x 50			
CRWU 100-410	13.5					410				265			6 x 50			
CRWU 145-210	13.2					145				±0.2			60			
CRWU 145-310	19.6	310	180	1 x 100												
CRWU 145-410	25.9	410	350	2 x 100												
CRWU 145-510	32.2	510	450	3 x 100												
CRWU 145-610	38.6	610	550	4 x 100												
CRWU 145-710	45.0	710	650	5 x 100												
CRWU 145-810	51.3	810	750	6 x 100												

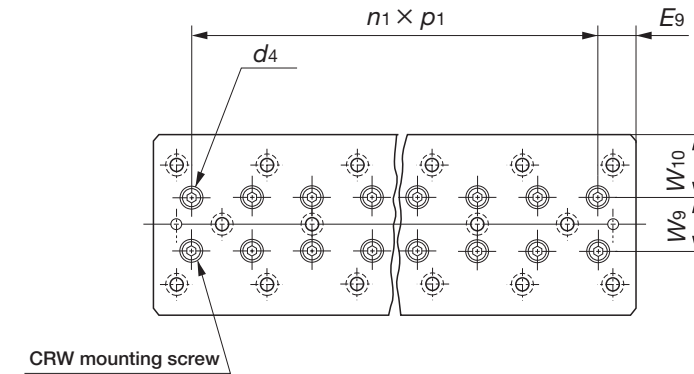
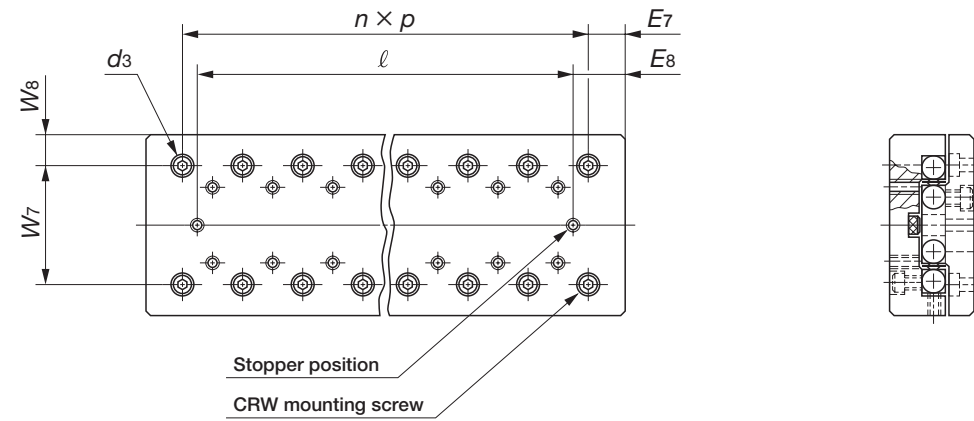
Note(1) : This is the mounting position for the stopper or CRW mounting screw.
For details, see page E-75.

Mounting dimensions mm														Basic dynamic load rating C N	Basic static load rating C ₀ N	Allowable load F N	Static moment rating T ₀ N·m				
W ₆	L ₁	E ₁	L ₂	E ₂	L ₃	E ₃	L ₄	E ₄	L ₅	E ₅	d ₁	d ₂	h ₁					h ₂			
10	40	22.5	—	—	80	62.5	—	—	—	—	5.5	9.5	6	11	6 640	9 400	3 130	188			
	80														—	—	9 130	14 100	4 700	282	
	120														—	—	10 300	16 500	5 480	329	
	160														—	—	12 500	21 200	7 050	423	
	200														—	—	14 700	25 900	8 620	517	
	240														—	—	16 700	30 600	10 200	611	
	280														—	—	18 700	35 300	11 800	705	
20	90	10	140	60	—	—	—	—	—	7	11	6.5	14	13 900	18 500	6 150	415				
	140													—	—	16 600	23 100	7 690	519		
	190													90	60	—	—	21 600	32 300	10 800	727
	240													140	60	—	—	26 300	41 500	13 800	934
	290													190	60	—	—	30 800	50 700	16 900	1 140
	340													240	60	140	110	35 100	60 000	20 000	1 350
	390													290	60	190	110	37 200	64 600	21 500	1 450
27.5	100	55	—	—	—	—	—	—	—	9	14	8.5	17.5	39 400	52 800	17 600	1 900				
	200													—	—	61 200	92 300	30 800	3 320		
	300													100	155	—	—	67 900	106 000	35 200	3 800
	400													200	155	—	—	74 400	119 000	39 600	4 270
	500													300	155	100	255	87 100	145 000	48 400	5 220
	600													400	155	200	255	99 200	172 000	57 200	6 170
	700													500	155	300	255	111 000	198 000	66 000	7 120
	—													—	—	—	—	—	—	—	—

IKO Crossed Roller Way Unit



Mounting dimensions of stopper and CRW CRWU



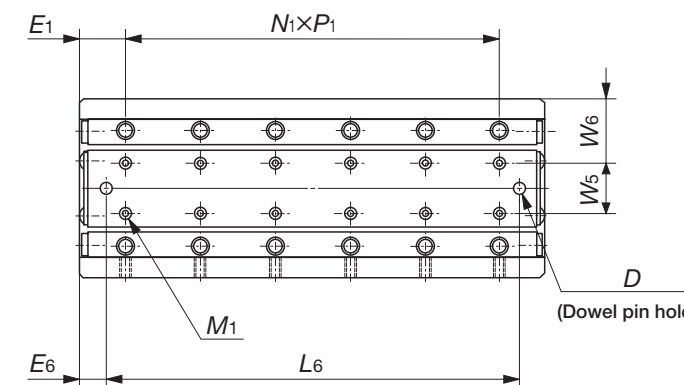
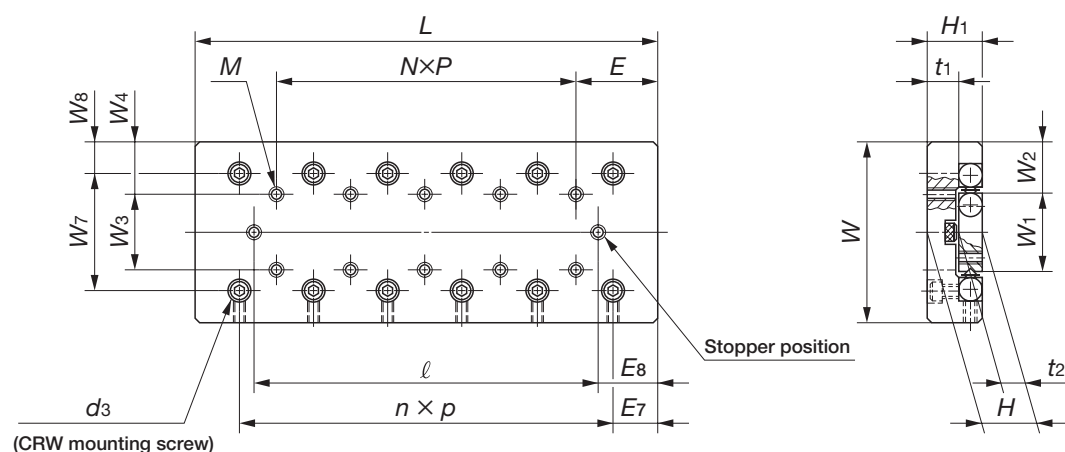
Model number	Dimensions of table mm							Dimensions of bed mm				
	W7	W8	n × p	E7	d3	l	E8	W9	W10	n1 × p1	E9	d4
CRWU 30- 25	18.4	5.8	1 × 10	7.5	4.1	20	2.5	-	15	1 × 10	7.5	4.1
CRWU 30- 35			2 × 10			26	4.5			2 × 10		
CRWU 30- 45			3 × 10			33	6			3 × 10		
CRWU 30- 55			4 × 10			40	7.5			4 × 10		
CRWU 30- 65			5 × 10			48	8.5			5 × 10		
CRWU 30- 75			6 × 10			53	11			6 × 10		
CRWU 30- 85			7 × 10			58	13.5			7 × 10		
CRWU 40- 35	25	7.5	1 × 15	10	6	29	3	-	20	1 × 15	10	6
CRWU 40- 50	25.5	7.25	1 × 25	12.5	6.5	41	4.5			2 × 15	10	
CRWU 40- 65			1 × 25	20		51	7			2 × 15	17.5	
CRWU 40- 80			2 × 25	15		61	9.5			4 × 15	10	
CRWU 40- 95			2 × 25	22.5		71	12			4 × 15	17.5	
CRWU 40-110			3 × 25	17.5		81	14.5			5 × 15	17.5	
CRWU 40-125			3 × 25	25		91	17			5 × 15	25	
CRWU 60- 55			39	10.5		1 × 25	15	7.5	44	5.5	17	21.5
CRWU 60- 80	2 × 25	59			10.5	2 × 25						
CRWU 60-105	3 × 25	74			15.5	3 × 25						
CRWU 60-130	4 × 25	89			20.5	4 × 25						
CRWU 60-155	5 × 25	104			25.5	5 × 25						
CRWU 60-180	6 × 25	119			30.5	6 × 25						
CRWU 60-205	7 × 25	144			30.5	7 × 25						

Model number	Dimensions of table mm							Dimensions of bed mm				
	W7	W8	n × p	E7	d3	l	E8	W9	W10	n1 × p1	E9	d4
CRWU 80- 85	53	13.5	1 × 40	22.5	9.5	64	10.5	27	26.5	1 × 40	22.5	9.5
CRWU 80-125			2 × 40			89	18			2 × 40		
CRWU 80-165			3 × 40			119	23			3 × 40		
CRWU 80- 205			4 × 40			149	28			4 × 40		
CRWU 80- 245			5 × 40			169	38			5 × 40		
CRWU 80-285			6 × 40			199	43			6 × 40		
CRWU 80-325			7 × 40			229	48			7 × 40		
CRWU 100-110	64	18	1 × 50	30	11	77	16.5	26	37	1 × 50	30	11
CRWU 100-160			2 × 50			113	23.5			2 × 50		
CRWU 100-210			3 × 50			148	31			3 × 50		
CRWU 100-260			4 × 50			183	38.5			4 × 50		
CRWU 100-310			5 × 50			218	46			5 × 50		
CRWU 100-360			6 × 50			253	53.5			6 × 50		
CRWU 100-410			7 × 50			283	63.5			7 × 50		
CRWU 145-210	98	23.5	1 × 100	55	14	156	27	46	49.5	1 × 100	55	14
CRWU 145-310			2 × 100			206	52			2 × 100		
CRWU 145-410			3 × 100			376	17			3 × 100		
CRWU 145-510			4 × 100			476	17			4 × 100		
CRWU 145-610			5 × 100			576	17			5 × 100		
CRWU 145-710			6 × 100			676	17			6 × 100		
CRWU 145-810			7 × 100			776	17			7 × 100		

IKO Crossed Roller Way Unit



CRWU...R



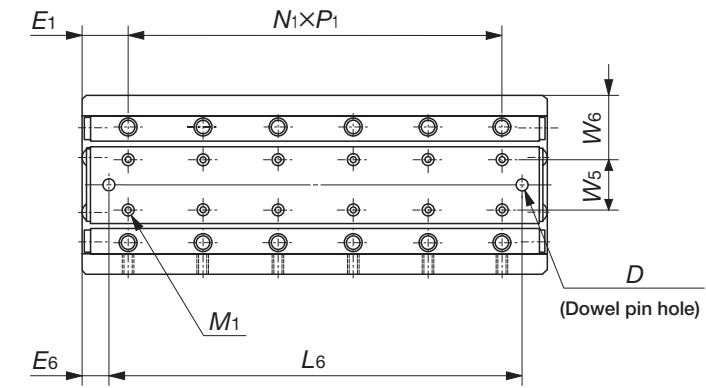
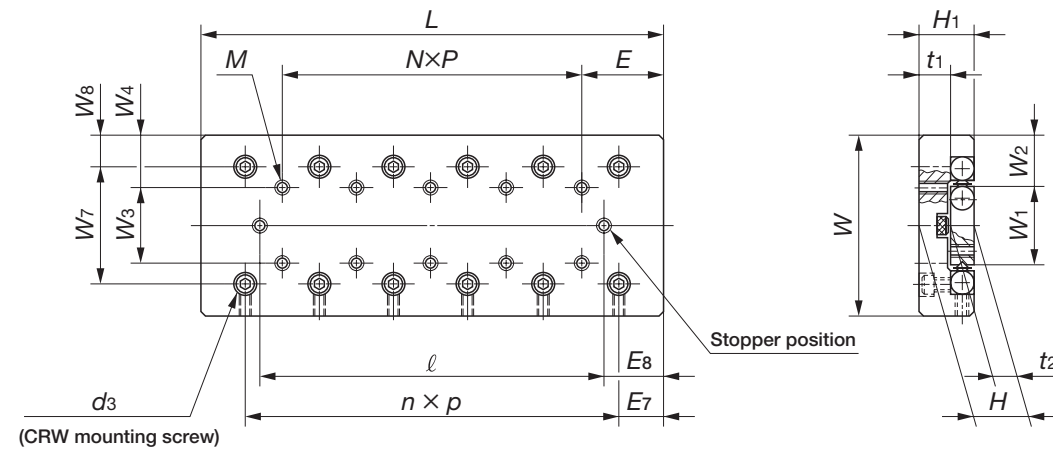
Model number	Mass (Ref.) kg	Boundary dimensions and tolerances mm				Dimensions of table mm													
		W	Tolerance	H	Tolerance	L	Maximum stroke length		Mounting dimensions				W7	W8	n × p	E7	d3	ℓ	
CRWU 30- 25R	0.06					25	12												20
CRWU 30- 35R	0.08					35	18												26
CRWU 30- 45R	0.11					45	25												33
CRWU 30- 55R	0.13	30	±0.1	11	±0.1	55	32	10	10	3 × 10	12.5	M2	18.4	5.8	4 × 10	7.5	4.1	40	
CRWU 30- 65R	0.16					65	40			4 × 10					5 × 10			48	
CRWU 30- 75R	0.18					75	45			5 × 10					6 × 10			53	
CRWU 30- 85R	0.21					85	50			6 × 10					7 × 10			58	
CRWU 40- 35R	0.13			14		35	18						25	7.5	1 × 15	10	6	29	
CRWU 40- 50R	0.21					50	30			1 × 15					1 × 25	12.5		41	
CRWU 40- 65R	0.26					65	40			2 × 15					1 × 25	20		51	
CRWU 40- 80R	0.34	40	±0.1	15	±0.1	80	50	15	12.5	3 × 15	17.5	M3	25.5	7.25	2 × 25	15	6.5	61	
CRWU 40- 95R	0.38					95	60			4 × 15					2 × 25	22.5		71	
CRWU 40-110R	0.46					110	70			5 × 15					3 × 25	17.5		81	
CRWU 40-125R	0.50					125	80			6 × 15					3 × 25	25		91	
CRWU 60- 55R	0.44					55	30								1 × 25			44	
CRWU 60- 80R	0.66					80	45			1 × 25					2 × 25			59	
CRWU 60-105R	0.85					105	60			2 × 25					3 × 25			74	
CRWU 60-130R	1.1	60	±0.1	18.5	±0.1	130	75	25	17.5	3 × 25	27.5	M4	39	10.5	4 × 25	15	7.5	89	
CRWU 60-155R	1.3					155	90			4 × 25					5 × 25			104	
CRWU 60-180R	1.5					180	105			5 × 25					6 × 25			119	
CRWU 60-205R	1.7					205	130			6 × 25					7 × 25			144	

E8	H1	t1	Dimensions and tolerance of center way mm										Basic dynamic load rating C N	Basic static load rating C0 N	Allowable load F N	Static moment rating T0 N·m								
			Mounting dimensions																					
2.5						1 × 10													380	478	159	3.2		
4.5						2 × 10													525	717	239	4.8		
6						3 × 10													659	956	319	6.5		
7.5	11	7				4 × 10	7.5	M2	2							30	12.5	12.8	8.6	4	786	1 200	398	8.1
8.5						5 × 10			2	+0.020 0						40	12.5				906	1 430	478	9.7
11						6 × 10			2							50	12.5				1 020	1 670	558	11.3
13.5						7 × 10			2							60	12.5				1 140	1 910	638	12.9
3	14	8				1 × 15	10											17	11.5	6	896	1 180	392	10.6
4.5						2 × 15	10														2 710	3 660	1 220	26.5
7						2 × 15	17.5														2 710	3 660	1 220	26.5
9.5	15	7				4 × 15	10	M3	3							45	17.5	13.1	13.45	8	4 050	6 090	2 030	44.2
12						4 × 15	17.5		3	+0.020 0						45	25				3 400	4 880	1 630	35.3
14.5						5 × 15	17.5		3							60	25				4 680	7 310	2 440	53.0
17						5 × 15	25		3							60	32.5				4 680	7 310	2 440	53.0
5.5						1 × 25										35					2 710	3 660	1 220	51.2
10.5						2 × 25										60					4 050	6 090	2 030	85.3
15.5						3 × 25										85					5 270	8 530	2 840	119
20.5	18.5	10.5	17	21.5		4 × 25	15	M4	4	+0.020 0						110	10	26.6	16.7	8	5 860	9 750	3 250	137
25.5						5 × 25										135					6 970	12 200	4 060	171
30.5						6 × 25										160					8 040	14 600	4 880	205
30.5						7 × 25										185					8 550	15 800	5 280	222

IKO Crossed Roller Way Unit



CRWU...R



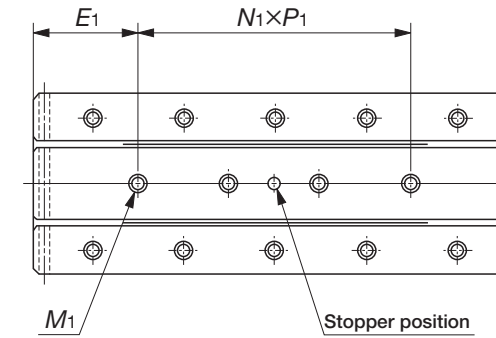
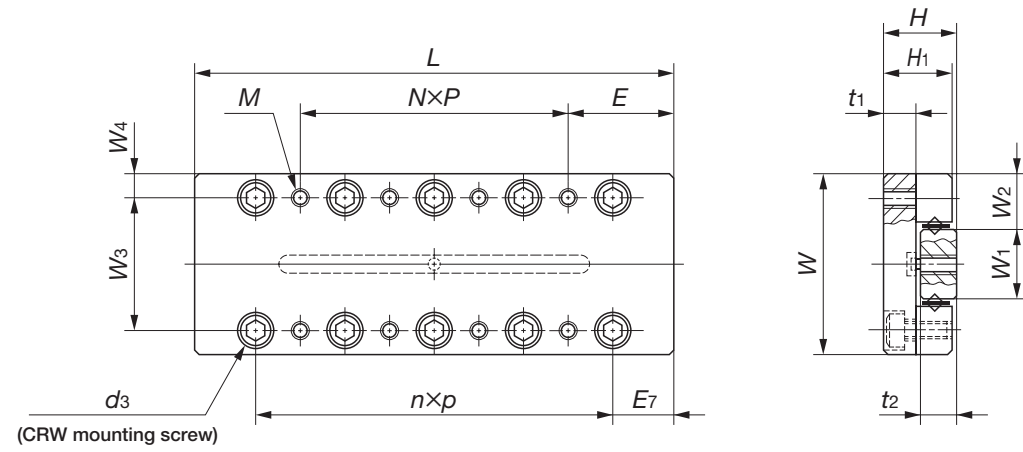
Model number	Mass (Ref.) kg	Boundary dimensions and tolerances mm					Dimensions of table mm																	
		W	Tolerance	H	Tolerance	L	Maximum stroke length	Mounting dimensions																
								W3	W4	N x P	E	M	W7	W8	n x p	E7	d3	ℓ						
CRWU 80- 85R	1.2					85	50			—							1 x 40							64
CRWU 80-125R	1.8					125	75			1 x 40							2 x 40							89
CRWU 80-165R	2.3					165	105			2 x 40							3 x 40							119
CRWU 80-205R	2.9	80	±0.1	24	±0.1	205	135	40	20	3 x 40	42.5	M5	53	13.5	4 x 40	22.5	9.5	149						
CRWU 80-245R	3.5					245	155			4 x 40							5 x 40							169
CRWU 80-285R	4.0					285	185			5 x 40							6 x 40							199
CRWU 80-325R	4.6					325	215			6 x 40							7 x 40							229
CRWU 100-110R	2.4					110	60			—							1 x 50							77
CRWU 100-160R	3.6					160	95			1 x 50							2 x 50							113
CRWU 100-210R	4.7					210	130			2 x 50							3 x 50							148
CRWU 100-260R	5.9	100	±0.15	31	±0.1	260	165	50	25	3 x 50	55	M6	64	18	4 x 50	30	11	183						
CRWU 100-310R	7.0					310	200			4 x 50							5 x 50							218
CRWU 100-360R	8.1					360	235			5 x 50							6 x 50							253
CRWU 100-410R	9.3					410	265			6 x 50							7 x 50							283
CRWU 145-210R	9.4					210	130			—							1 x 100							156
CRWU 145-310R	13.9					310	180			1 x 100							2 x 100							206
CRWU 145-410R	18.4					410	350			2 x 100							3 x 100							376
CRWU 145-510R	23.0	145	±0.2	42.5	±0.1	510	450	85	30	3 x 100	105	M8	98	23.5	4 x 100	55	14	476						
CRWU 145-610R	27.5					610	550			4 x 100							5 x 100							576
CRWU 145-710R	32.0					710	650			5 x 100							6 x 100							676
CRWU 145-810R	36.6					810	750			6 x 100							7 x 100							776

Dimensions and tolerance of center way mm															Basic dynamic load rating C N	Basic static load rating C ₀ N	Allowable load F N	Static moment rating T ₀ N·m
Mounting dimensions																		
E ₈	H ₁	t ₁	W ₅	W ₆	N ₁ x P ₁	E ₁	M ₁	D	Tolerance	L ₆	E ₆	W ₁	W ₂	t ₂				
10.5					1 x 40					55					6 640	9 400	3 130	188
18					2 x 40					95					9 130	14 100	4 700	282
23					3 x 40					135					10 300	16 500	5 480	329
28	24	13	27	26.5	4 x 40	22.5	M5	5	+0.020 0	175	15	38	21	11	12 500	21 200	7 050	423
38					5 x 40					215					14 700	25 900	8 620	517
43					6 x 40					255					16 700	30 600	10 200	611
48					7 x 40					295					18 700	35 300	11 800	705
16.5					1 x 50					70					13 900	18 500	6 150	415
23.5					2 x 50					120					16 600	23 100	7 690	519
31					3 x 50					170					21 600	32 300	10 800	727
38.5	31	16	26	37	4 x 50	30	M6	5	+0.020 0	220	20	42	29	15	26 300	41 500	13 800	934
46					5 x 50					270					30 800	50 700	16 900	1 140
53.5					6 x 50					320					35 100	60 000	20 000	1 350
63.5					7 x 50					370					37 200	64 600	21 500	1 450
27					1 x 100					150					39 400	52 800	17 600	1 900
52					2 x 100					250					61 200	92 300	30 800	3 320
17					3 x 100					350					67 900	106 000	35 200	3 800
17	43	21	46	49.5	4 x 100	55	M8	5	+0.020 0	450	30	68.4	38.3	21	74 400	119 000	39 600	4 270
17					5 x 100					550					87 100	145 000	48 400	5 220
17					6 x 100					650					99 200	172 000	57 200	6 170
17					7 x 100					750					111 000	198 000	66 000	7 120

IKO Crossed Roller Way Unit



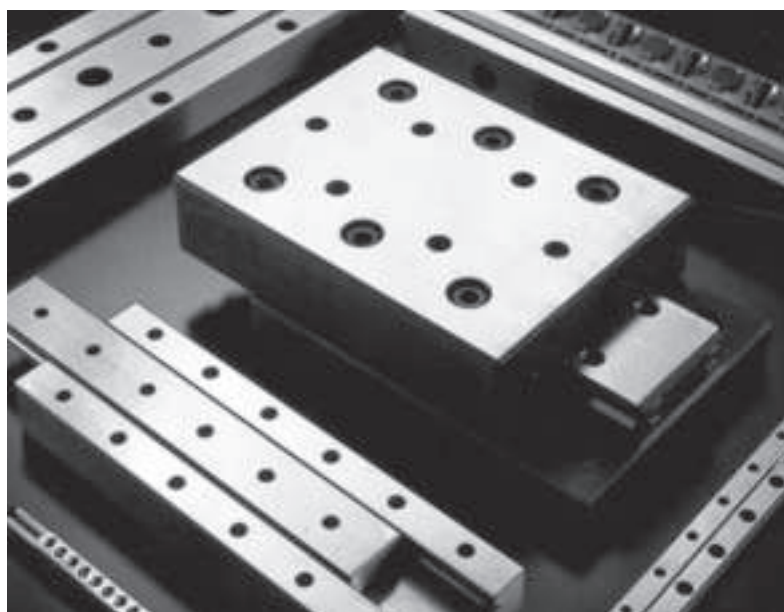
CRWU...RS



Model number	Mass (Ref.) kg	Boundary dimensions and tolerances mm						Dimensions of table mm					
		W	Tolerance	H	Tolerance	L	Maximum stroke length	Mounting dimensions					
								W3	W4	N x P	E	M	n x p
CRWU 20- 25RS	0.03	20	±0.1	8	±0.1	25	14	3	1 x 18	3.5	M2.5	1 x 10	
CRWU 20- 35RS	0.05					35			1 x 28			2 x 10	
CRWU 20- 45RS	0.06					45			1 x 20			3 x 10	
CRWU 20- 55RS	0.07					55			1 x 30			4 x 10	
CRWU 30- 65RS	0.20	30	±0.1	12	±0.1	65	22	4	1 x 30	17.5	M3	3 x 15	
CRWU 30- 80RS	0.24					80			1 x 45			4 x 15	
CRWU 30- 95RS	0.29					95			2 x 30			5 x 15	
CRWU 40-105RS	0.58	40	±0.1	16	±0.1	105	30	5	1 x 50	27.5	M4	3 x 25	
CRWU 40-130RS	0.72					130			1 x 75			4 x 25	
CRWU 40-155RS	0.85					155			2 x 50			5 x 25	

				Dimensions of center way mm						Basic dynamic load rating C N	Basic static load rating C0 N	Allowable load F N	Static moment rating T0 N·m
E7	d3	H1	t1	Mounting dimensions									
				W1	W2	N1 x P1	E1	M1	t2				
7.5	4.1	7.5	3.5	7	6.5	2 x 7.5	5	M2.5	4	380	478	159	1.8
						2 x 10				525	717	239	2.8
						3 x 10				659	956	319	3.7
						4 x 10				786	1 200	398	4.6
10	6	11.5	5.5	12	9	3 x 15	10	M3	6	1 850	2 940	979	19.1
						4 x 15				2 130	3 530	1 180	22.9
						5 x 15				2 410	4 110	1 370	26.7
15	7.5	15.5	7.5	16	12	3 x 25	15	M4	8	4 680	7 310	2 440	63.6
						4 x 25				5 860	9 750	3 250	84.8
						5 x 25				6 970	12 200	4 060	106





Precision Linear Slides

Description of each series and Table of dimensions

E

High Rigidity Precision Linear Slide Unit

Page E-84 to E-95



Precision Linear Slide

Page E-96 to E-109



In the table of dimensions, standard products are referred to using identification numbers marked with . The identification numbers marked with refer to our semi-standard products.

U.S. PATENTED

High Rigidity Precision Linear Slide Unit

BWU

IKD High Rigidity Precision Linear Slide Unit BWU is a compact linear motion rolling guide for limited stroke length. The unit incorporates two rows of steel balls in four point contact with the raceways so that stable accuracy and high rigidity are obtained even under fluctuating and complex loads. Wide variations in size are available for selections suitable for each application.

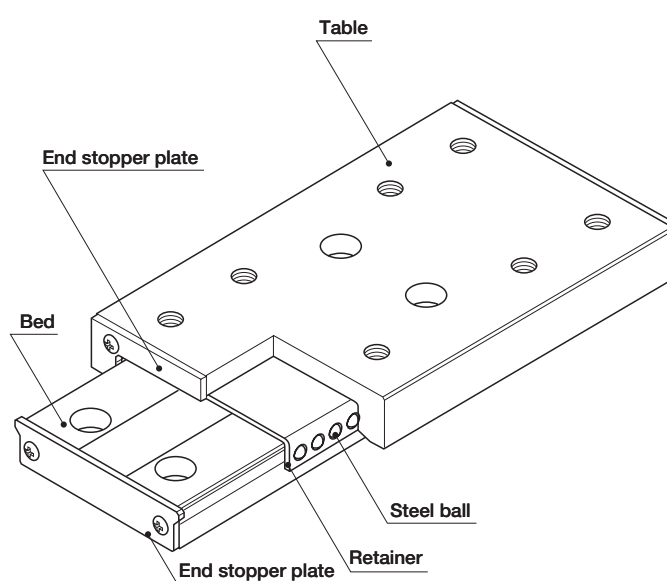
High accuracy and smooth movement

Two raceways on the solid table and on the solid bed respectively are ground at one time to minimize processing errors and improve accuracy between the two raceways. High accuracy and smooth movement are assured.

Stainless steel type

All components are made of stainless steel to give superior corrosion and heat resistance. So this series is most suitable for use in clean rooms.

U.S. PATENT No. 5,213,420
No. 5,213,419



Structure of High Rigidity Precision Linear Slide Unit BWU

● Identification number and specification

The specification of High Rigidity Precision Linear Slide Unit BWU is indicated by the identification number, consisting of a model code and a size. An example of identification number is shown below.

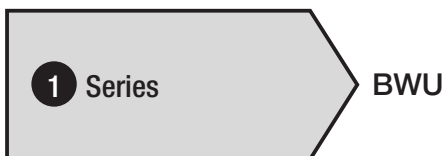
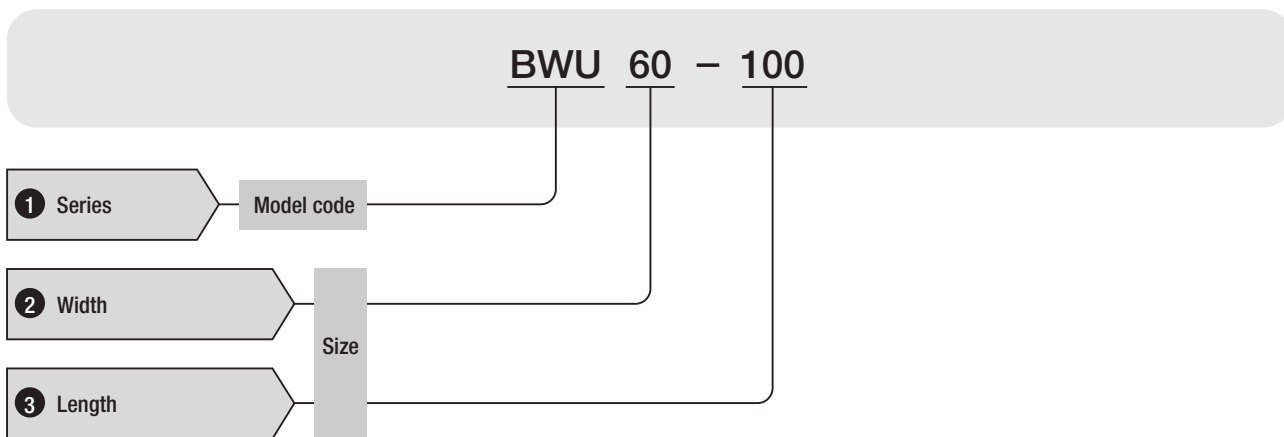
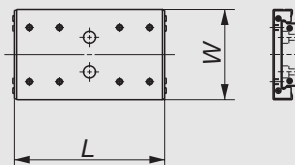


Table 1 Width and length



unit : mm

Item \ Model number	BWU 6	BWU 8	BWU 12	BWU 17	BWU 25	BWU 30	BWU 40	BWU 60
Width W	6	8	12	17	25	30	40	60
Length L	10	10	20	20	30	30	40	60
	20	20	30	30	45	45	60	80
	30	30	45	45	60	60	80	100
					75	75	100	120
						90		

1N=0.102kgf=0.2248lbs.
1mm=0.03937inch

Load Rating

The load ratings of High Rigidity Precision Linear Slide Unit BWU are defined for downward load. Summarized descriptions of load ratings are given below. For details of load rating definitions and load calculations, see "General description".

● Basic dynamic load rating C

The basic dynamic load rating is defined as the constant load both in direction and magnitude under which a group of identical High Rigidity Precision Linear Slide Units BWU are individually operated and 90% of the units in the group can travel 50×10^3 meters free from material damage due to rolling contact fatigue.

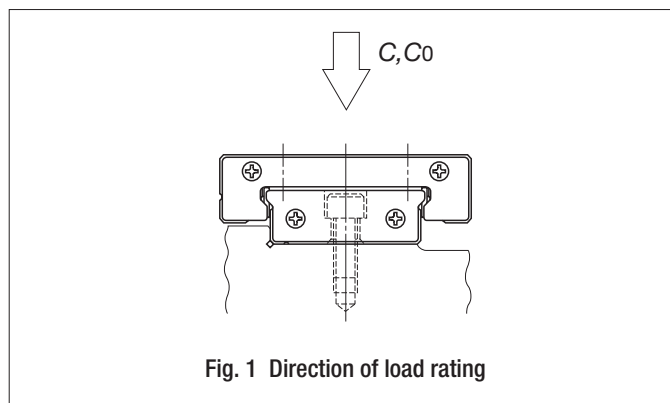


Fig. 1 Direction of load rating

● Basic static load rating C_0

The basic static load rating is defined as the static load that gives a prescribed constant contact stress at the center of the contact area between the rolling element and raceway receiving the maximum load.

● Allowable load F

Allowable load is the load under which the sum of elastic deformations of the rolling element and the raceway in the contact area subjected to the maximum contact stress is small enough to guarantee accuracy and smooth rolling movement.

Therefore, when very smooth and highly accurate linear motion is required, make sure that the applied load is well within the allowable load value.

● Static moment rating T_0

The static moment rating is defined as the static moment load that gives a prescribed constant contact stress at the center of the contact area between the rolling element and raceway receiving the maximum load when a moment is loaded.

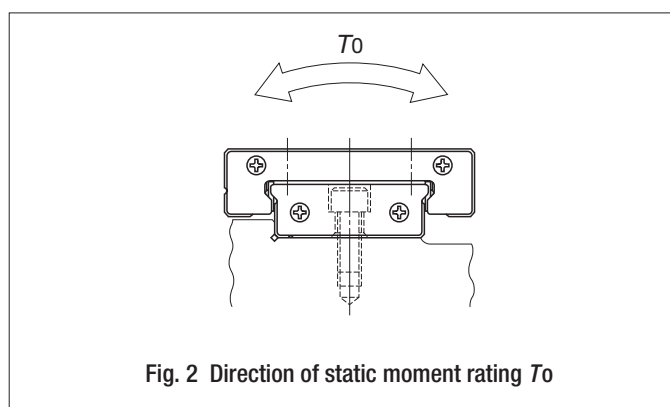
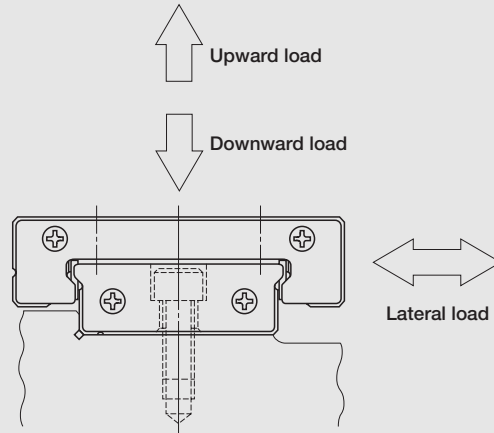


Fig. 2 Direction of static moment rating T_0

● Load direction and load rating

Since the load ratings of High Rigidity Precision Linear Slide Unit BWU given in the table of dimensions are for downward load, they must be corrected for the load direction for upward or lateral load. The corrected basic dynamic load ratings and basic static load ratings are shown in Table 2.

Table 2 Load ratings corrected for the load direction

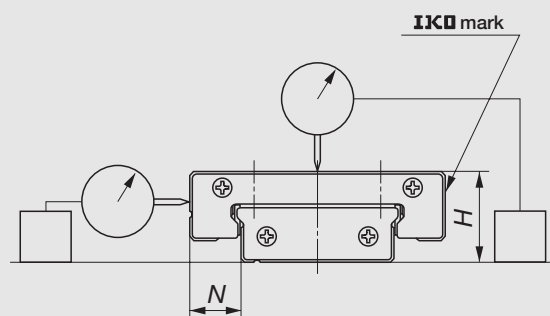


Load rating	Basic dynamic load rating	Basic static load rating
Downward	C	C_0
Upward	C	C_0
Lateral	$1.19C$	$1.19C_0$

Accuracy

The accuracy of High Rigidity Precision Linear Slide Unit BWU is shown in Tables 3 and 4.

Table 3 Accuracy



unit : mm

Item	Deviation and variation
Dim. <i>H</i> tolerance	± 0.040
Dim. <i>N</i> tolerance	± 0.050
Parallelism at table center	See Table 4.
Parallelism at table side	See Table 4.

Table 4 Running accuracy

unit : μm

Nominal length <i>L</i> mm		Parallelism at table center ⁽¹⁾	Parallelism at table side ⁽²⁾
over	incl.		
—	50	4	6
50	80	5	8
80	120	6	9

Note⁽¹⁾ : The value of parallelism at table center shows the difference between the maximum and the minimum of unit height measured at the table center when the table is stroked.

Note⁽²⁾ : The value of parallelism at table side shows the difference between the maximum and the minimum values measured at the table side (Opposite side of **IKO** mark) when the table is stroked.

Preload

Preload of High Rigidity Precision Linear Slide Unit BWU is adjusted to a proper amount at **IKO** factory.

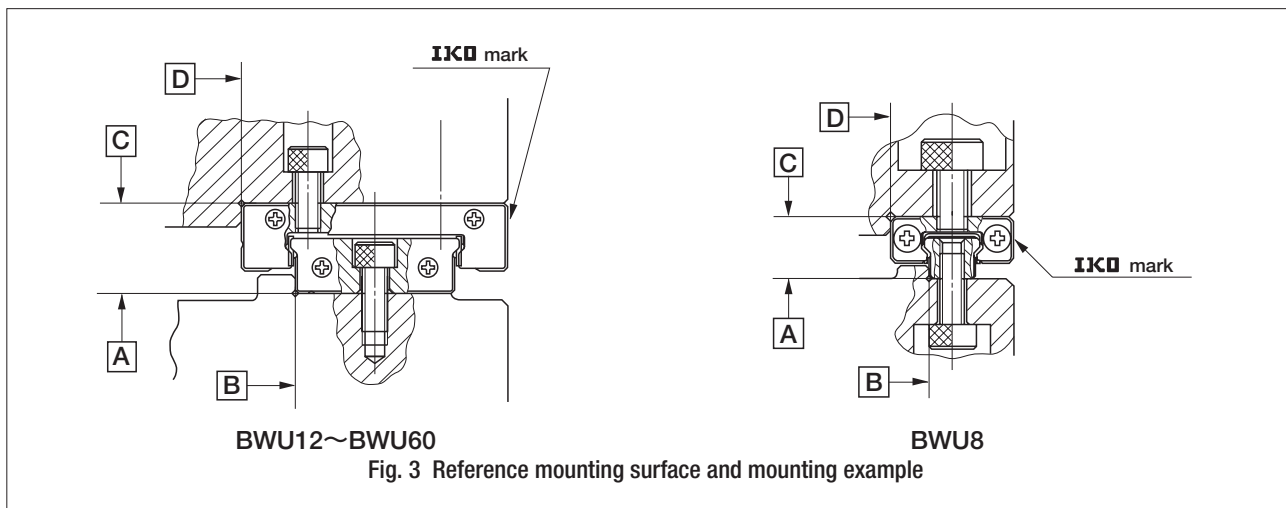
Precautions for Use

- ① High Rigidity Precision Linear Slide Unit BWU is coated with rust preventive oil. Wash it with clean liquid before assembling and lubricate it by coating with good quality oil or grease.
- ② High Rigidity Precision Linear Slide Unit BWU does not incorporate a mechanical stopper. When over stroke is expected during the operation, prepare a stopper system on the adjoining equipment.
- ③ When high running accuracy is needed, the load should be applied at around the center of the table (or bed) and avoid stroking the table in full length.
- ④ Sometimes, retainers may shift from the normal position due to unbalanced loading and/or irregular and high speed operation. To remedy for such phenomena, move High Rigidity Precision Linear Slide Unit BWU in full stroke at some intervals during operation prescribed either in time or number of strokes.
- ⑤ High Rigidity Precision Linear Slide Unit BWU can be used at high temperatures, because it does not have resin parts. However, if the operating temperature is over 100°C, consult **IKO**.
- ⑥ Use High Rigidity Precision Linear Slide Unit BWU at speeds lower than 30 m/min.
- ⑦ The tightening depth of screws on the table should be less than the values shown in the dimension table. If the tightening depth is larger than these values, the screw will push the bed as the screw hole in the table is a through hole and the running accuracy and life will deteriorate.

Precautions for Mounting

1 Reference mounting surface

The reference mounting surface of High Rigidity Precision Linear Slide Unit BWU is the side surface opposite to the **IKO** mark. (See Fig. 3.)



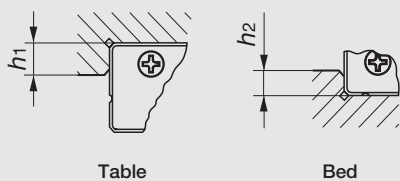
2 General mounting example

As shown in Fig. 3, the reference mounting surfaces **B** and **D** and the mounting surfaces **A** and **C** are precisely finished by grinding. Stable linear motion with high accuracy will be obtained by correctly mounting the unit on the reference mounting surfaces and the mounting surfaces of the machine which will be precisely finished.

It is recommended to make a relieved fillet at the corners of the mating reference mounting surfaces as shown in the figure in Table 5. Recommended shoulder heights of the mating reference mounting surfaces are given in Table 5.

Table 5 Shoulder heights of the mating reference mounting surfaces

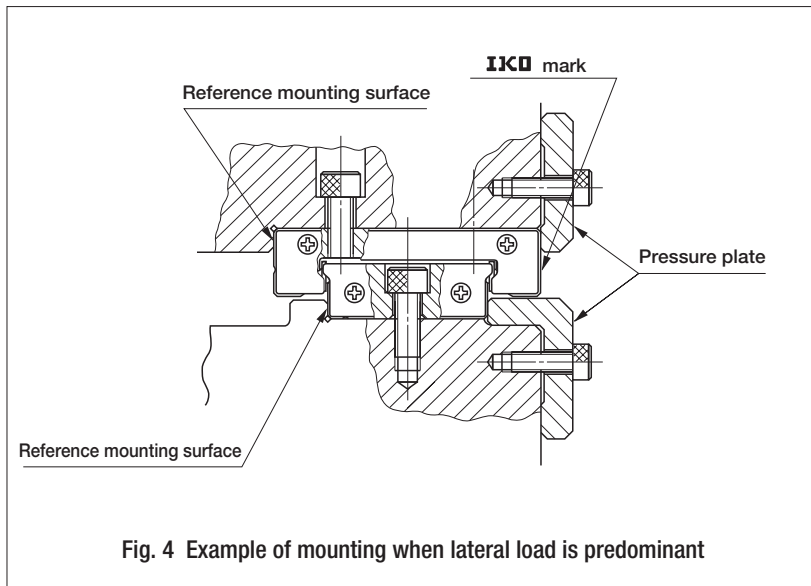
unit : mm



Model number	Table Shoulder height h_1	Bed Shoulder height h_2
BWU 6- ...	1	0.5
BWU 8- ...	1.2	0.8
BWU 12- ...	1.5	0.8
BWU 17- ...	2.5	1.2
BWU 25- ...	2.5	1.5
BWU 30- ...	3	2
BWU 40- ...	3	2.5
BWU 60- ...	4	2.5

③ When lateral load is predominant

As shown in Fig. 4, fix the side surface of the table and the side surface of the bed securely onto the machine with a pressure plate, etc.



④ Mounting bolt tightening torque

Table 6 shows the mounting bolt tightening torque in general application when the mating parts are made of steel and hexagon socket head stainless steel bolts (equivalent to JIS property division A2-70) are used. According to the material of mating parts and the operating conditions, increase or decrease the amount of tightening torque.

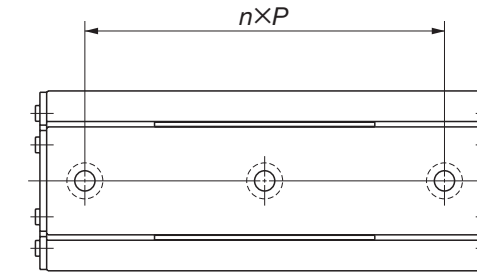
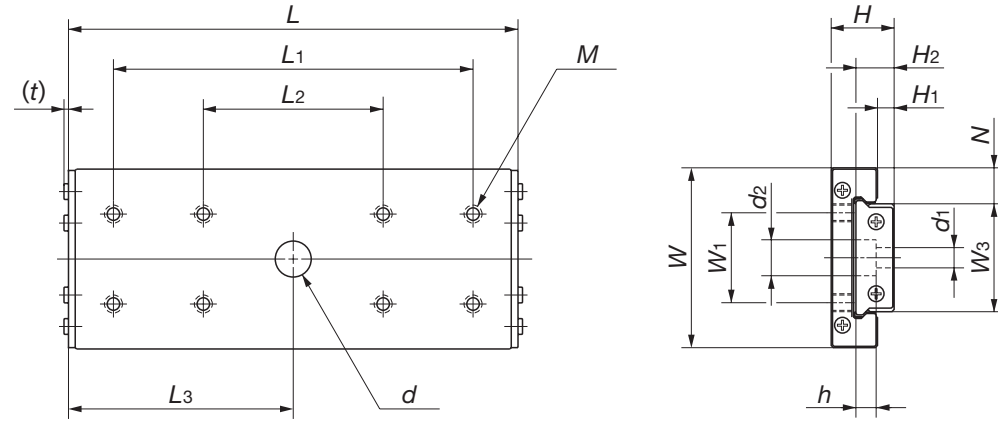
Table 6 Mounting bolt tightening torque

Bolt size	Tightening torque N·m
M1 × 0.25	0.04
M1.4 × 0.3	0.10
M1.6 × 0.35	0.15
M2 × 0.4	0.31
M3 × 0.5	1.1
M4 × 0.7	2.5

IKO High Rigidity Precision Linear Slide Unit



BWU



Model number	Mass (Ref.) g		Nominal dimensions mm						Dimensions of table mm				
	Table	Bed	W	H	H ₁	N	L	Maximum stroke length	W ₁	L ₁	L ₂	M	Maximum tightening depth
BWU 6- 10	0.72	0.23	6	3.2	0.7	2	10	3	—	4	—	M1.4	0.8
BWU 6- 20	1.6	0.50					20	11	—	10	—		
BWU 6- 30	2.4	0.78					30	16	—	18	10		
BWU 8- 10	0.96	0.42	8	4	1	2.5	10	4	—	5.5	—	M2	0.8
BWU 8- 20	2.2	0.97					20	16	—	10	—		
BWU 8- 30	3.3	1.5					30	20	—	21	10		
BWU 12- 20⁽¹⁾	3.6	1.9	12	4.5	1	3	20	16	—	8	—	M2	1.1
BWU 12- 30⁽¹⁾	5.7	3.2					30	20	—	15	—		
BWU 12- 45⁽¹⁾	8.5	4.9					45	30	—	31	15		
BWU 17- 20	9.2	3.9	17	8	1.5	5	20	14	—	10	—	M2	3
BWU 17- 30	17.8	7.8					30	19	12	20	—		
BWU 17- 45	26.5	11.7					45	29	—	30	—		
BWU 25- 30	22.5	13.3	25	9	1.8	5.5	30	23	10	15	—	M3	2.5
BWU 25- 45	41.6	24.3					45	28		25	—		
BWU 25- 60	55.7	33.0					60	38		25	—		
BWU 25- 75	68.4	40.8					75	48		55	25		
BWU 30- 30	31.9	25.0	30	12	3.4	6	30	23	14	15	—	M3	3
BWU 30- 45	56.9	45.4					45	29		25	—		
BWU 30- 60	76.1	61.5					60	35		25	—		
BWU 30- 75	93.8	76.1					75	47		55	25		
BWU 30- 90	101	84.8					90	59		55	25		

Note⁽¹⁾ : Special mounting bolts for mounting the bed (cross recessed head cap screws for precision equipment M2 x 4) are appended to BWU12.

			Dimensions of bed mm							Basic dynamic load rating	Basic static load rating	Allowable load	Static moment rating
L ₃	d	t	W ₃	H ₂	n	P	d ₁	d ₂	h	C	C ₀	F	T ₀
										N	N	N	N·m
—	—	0.46	2	1.9	1	4	M1.0 Thru hole	—	—	154	181	60.2	0.21
—	—				1	4		—	—	252	361	120	0.42
—	—				2	8		—	—	355	587	196	0.68
—	—	0.45	3	2.6	1	5	M1.6 Thru hole	—	—	203	212	70.6	0.36
—	—				1	10		—	—	292	353	118	0.60
—	—				2	10		—	—	442	635	212	1.1
—	—	0.45	6	2.8	1	7.5	2.4	4	1.5	292	353	118	1.1
—	—				1	15				442	635	212	2.0
22.5	4.5				2	15				603	988	329	3.2
10	4.5	0.8	7	5	1	7.5	2.4	4.2	2.3	588	635	212	2.5
—	—				1	15				874	1 110	370	4.4
22.5	4.5				2	15				1 200	1 750	582	6.9
—	—	0.9	14	5.2	1	15	3.5	6	3.2	783	953	318	7.1
—	—				1	30				1 200	1 750	582	13.0
—	—				1	30				1 490	2 380	794	17.7
37.5	6.5	1.0	18	7.5	2	30	3.5	6.5	4.5	1 760	3 020	1 010	22.5
—	—				1	15				1 270	1 410	470	13.4
—	—				1	30				1 920	2 540	847	24.1
—	—	1.0	18	7.5	1	30	3.5	6.5	4.5	2 490	3 670	1 220	34.9
37.5	6.5				2	30				2 880	4 520	1 510	42.9
45	6.5	2	30	3 250	5 360	1 790	50.9						

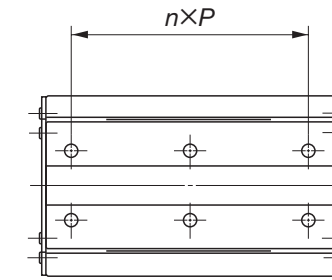
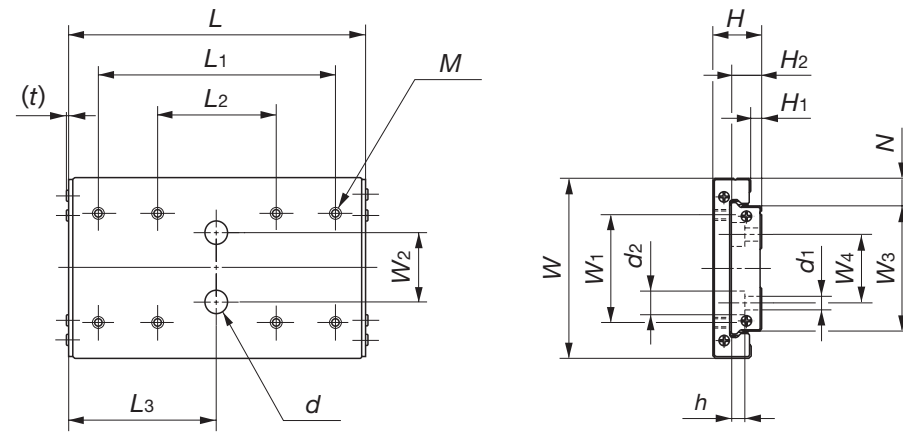
BWU



IKO High Rigidity Precision Linear Slide Unit



BWU



Model number	Mass (Ref.) g		Nominal dimensions mm					Dimensions of table mm					
	Table	Bed	W	H	H ₁	N	L	Maximum stroke length	W ₁	L ₁	L ₂	M	Maximum tightening depth
BWU 40- 40	68.9	52.0	40	14	3.5	8	40	31	20	20	—	M4	4
BWU 40- 60	125	93.0					60	39		40	—		
BWU 40- 80	167	125					80	47		40	—		
BWU 40-100	207	155					100	63		80	40		
BWU 60- 60	195	194	60	16	3.6	9	60	34	36	40	—	M4	4
BWU 60- 80	261	261					80	45		40	—		
BWU 60-100	321	325					100	56		80	40		
BWU 60-120	386	391					120	68		100	40		

				Dimensions of bed mm								Basic dynamic load rating	Basic static load rating	Allowable load	Static moment rating	
W ₂	L ₃	d	t	W ₃	H ₂	W ₄	n	P	d ₁	d ₂	h	C	C ₀	F	T ₀	
												N	N	N	N·m	
—	—	—	1.0	24	8.5	—	1	20	4.5	8	4.5	2 040	2 210	735	27.8	
—	—	—					1	40				3 100	3 970	1 320	50.0	
—	—	—					1	40				4 010	5 730	1 910	72.2	
—	50	8					2	40				4 640	7 060	2 350	88.9	
—	—	—	1.1	42	10	23	1	40	4.5	8	4.5	4 740	5 690	1 900	124	
—	—	—					1					40	5 930	7 820	2 610	171
23	50	8					2					40	7 020	9 960	3 320	217
23	60	8					2					40	8 050	12 100	4 030	264

U.S. PATENTED

Precision Linear Slide

BSP / BSPG / BSR

IKD Precision Linear Slide is a light weight and compact linear motion rolling guide, comprising a U-shaped table (or slide unit race) and bed (or track rail) made from stainless steel sheet by precision forming. The raceway grooves are accurately ground on the table (or slide unit race) and bed (or track rail). Precision Linear Slide features high performance and durability, making this series suitable for measuring equipment, disk drives, IC manufacturing and inspection devices, etc. Wide variations in performance and size are available for selections suitable for each application.

Superior corrosion resistance

The balls, table, bed and other steel components are made of stainless steel. So this series is superior in corrosion resistance and most suitable for use in clean rooms.

Light weight and compact

A simple structural design minimizes the number of components, offering reduced size and weight of sliding members in machines and equipment.

Quiet and smooth motion

The advanced design of ball retainers and circulators combined with precise grinding of raceways minimizes noise and gives smooth motion with low frictional resistance. So superior positioning accuracy and response can be obtained during operation even for a very small feed motion.

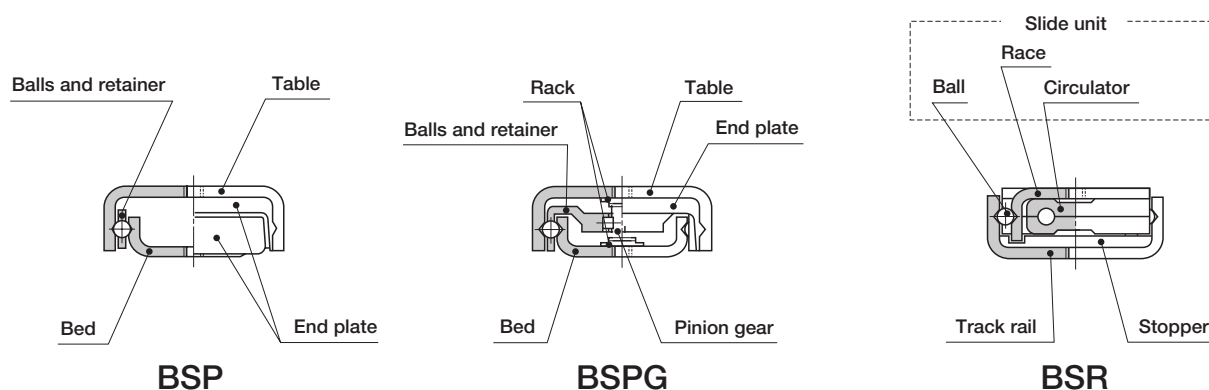
Stable performance

The steel balls are arranged in two rows with each ball contacting the raceways at four points. So stable load capacity is assured for loads in all directions. In addition, the simple design minimizes errors in manufacturing and assembly, ensuring high operating accuracy.

High safety

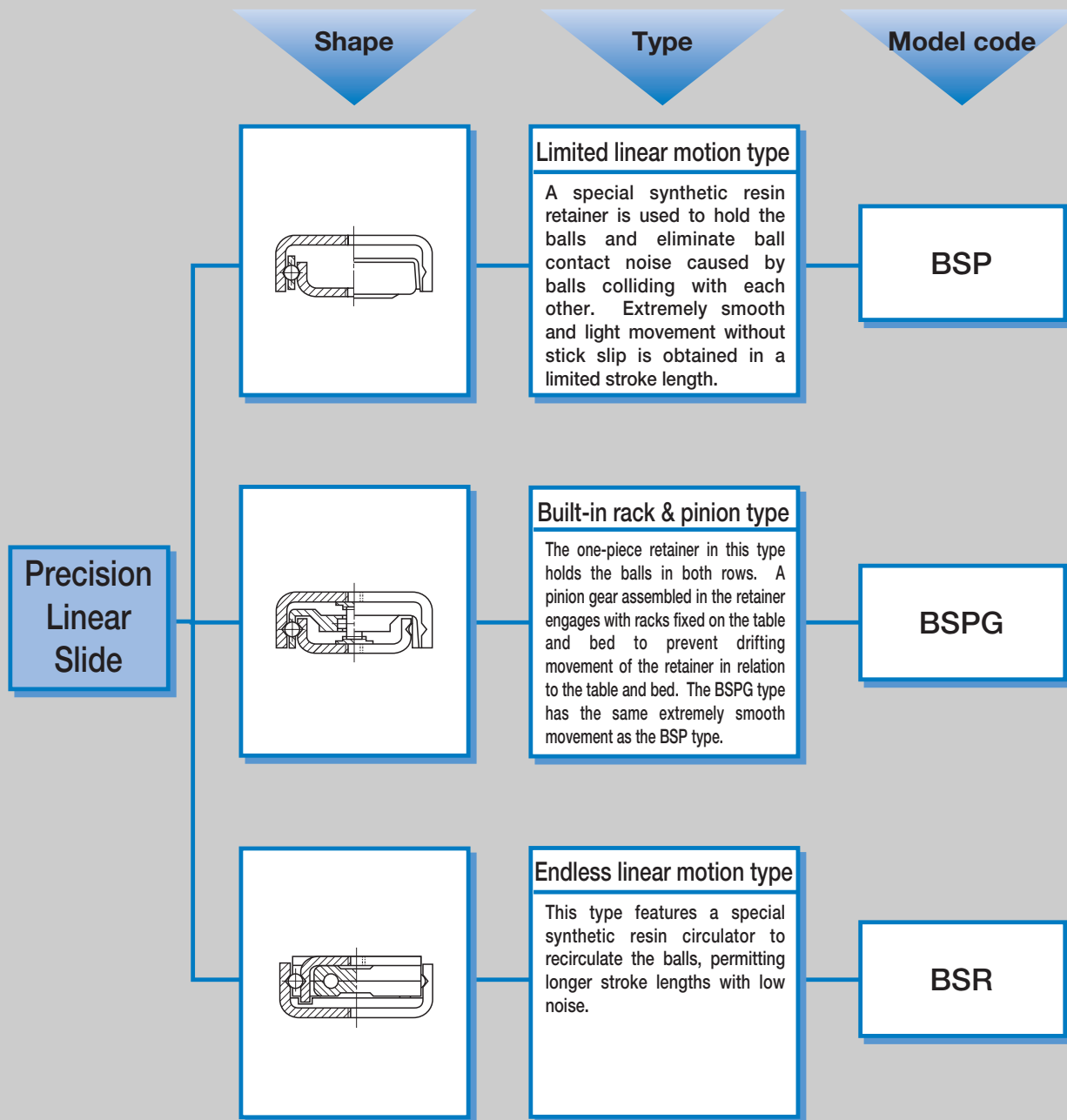
All organic components are made of nonflammable or self-extinguishing materials. So this series may be used in home appliances and office equipment.

U.S. PATENT No. 5,076,715 No. 4,799,302 No. 4,701,059 No. 4,701,057
No. 4,654,940 No. 4,647,226 No. 4,593,957



Structure of Precision Linear Slide

Precision Linear Slide series

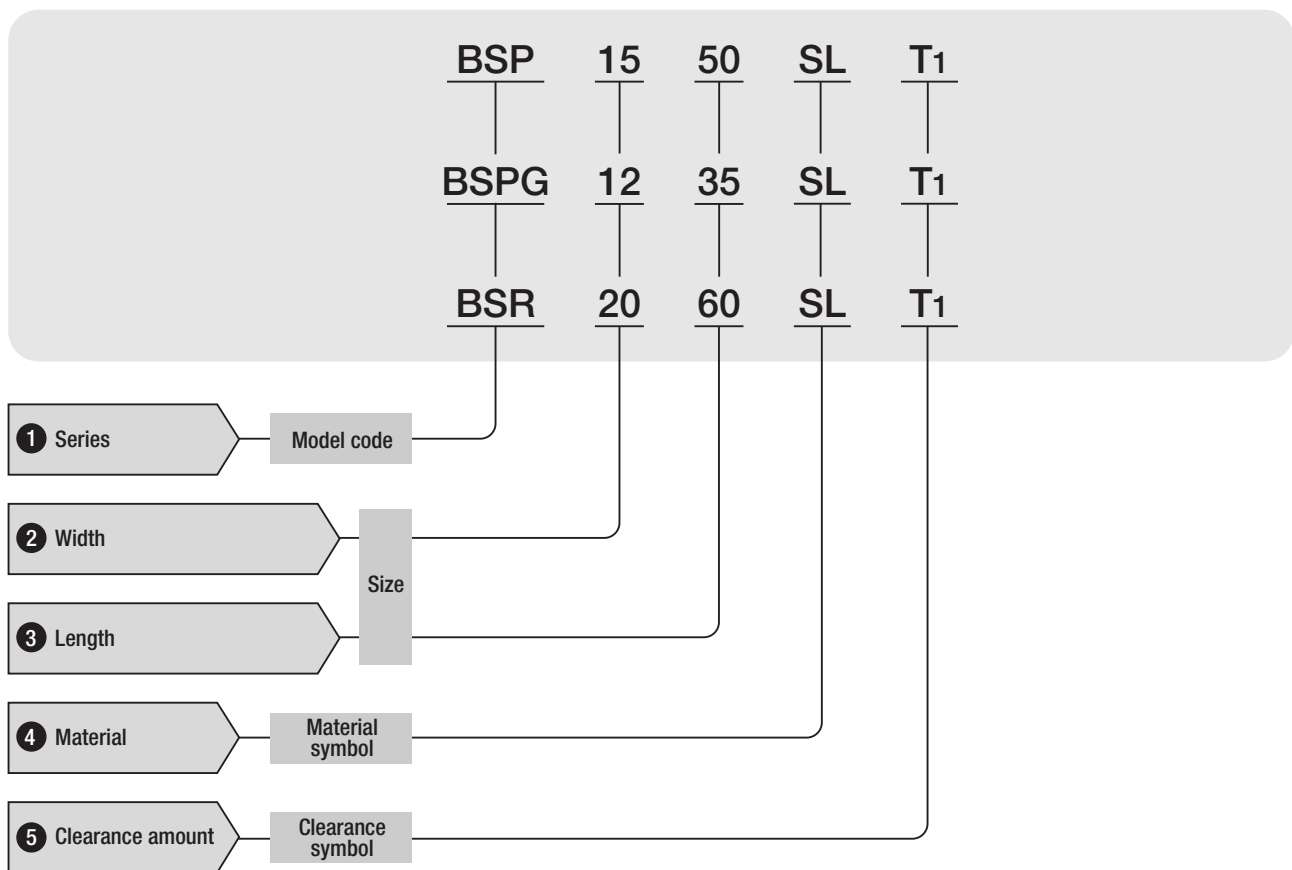


BSP, BSPG, BSR



● Identification number and specification

The specification of Precision Linear Slide is indicated by the identification number, consisting of a model code, a size, a material symbol and a clearance symbol.



1 Series

Limited linear motion type : **BSP**
 Built-in rack & pinion type : **BSPG** For available types and widths, see Table 1.
 Endless linear motion type : **BSR**

2 Width

Indicate the width in mm.

Table 1 Types and widths

Type \ Width	BSP	BSPG	BSR
7	○	—	—
10	○	—	—
12	—	○	○
15	○	○	○
20	○	○	○
25	○	○	○

3 Length

Indicate the length in mm.

4 Material

Stainless steel made : **SL** Only stainless steel type "SL" is indicated.

5 Clearance amount

Standard : No symbol For details of clearance amount, see Table 2.
 T1 clearance : T1

Clearance

Internal clearances of Precision Linear Slide are shown in Table 2. Generally, standard clearance is recommended for applications requiring low friction. T1 clearance is generally suitable for applications requiring more accurate linear movement.

Table 2 Clearance

unit : μm

Clearance type and symbol	Clearance between raceways and balls
Standard (No symbol)	0 ~ +4
T1	-4 ~ 0

Load Rating

Summarized descriptions of load ratings of Precision Linear Slide are given below. For details of load rating definitions and load calculations, see "General description".

● Basic dynamic load rating C

The basic dynamic load rating is defined as the constant load both in direction and magnitude under which a group of identical Precision Linear Slides are individually operated and 90% of the units in the group can travel 50×10^3 meters free from material damage due to rolling contact fatigue.

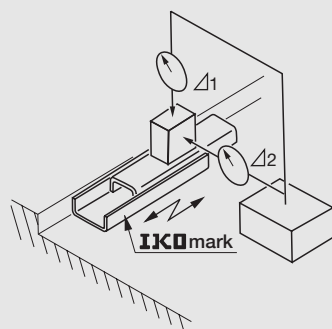
● Basic static load rating C_0

The basic static load rating is defined as the static load that gives a prescribed constant contact stress at the center of the contact area between the rolling element and raceway receiving the maximum load.

Accuracy

The accuracy of Precision Linear Slide in operation is shown in Tables 3 and 4.

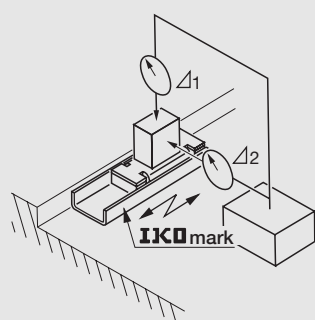
Table 3 Accuracy of BSP type and BSPG type



unit : μm

Stroke length mm		Parallelism in operation between bed center and mounting surface of table	Parallelism in operation between bed center and reference mounting surface of table
over	incl.	Δ_1	Δ_2
—	18	3	6
18	30	4	8
30	50	5	10
50	80	6	12

Table 4 Accuracy of BSR type



unit : μm

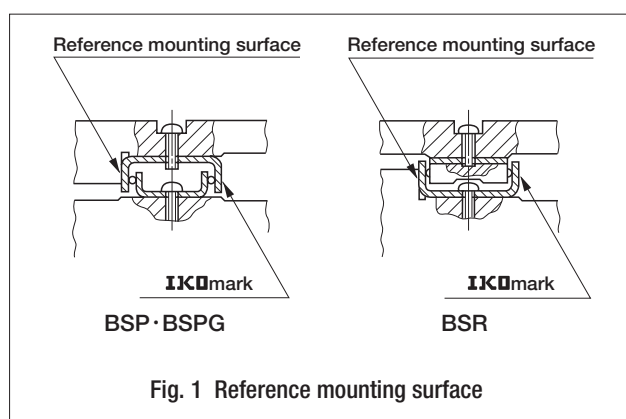
Stroke length mm		Parallelism in operation between slide unit center and mounting surface of track rail	Parallelism in operation between slide unit center and reference mounting surface of track rail
over	incl.	Δ_1	Δ_2
—	18	3	6
18	30	4	8
30	50	5	10
50	80	6	12

Precautions for Use

- ❶ To obtain consistently high accuracy in operation, the applied load should not exceed 20% of the basic static load rating.
- ❷ To maximize the accuracy of BSP or BSPG type, center the applied load over the table or bed. Allow enough additional stroke length to avoid reaching the maximum stroke length.
- ❸ Unevenly applied loads and high fluctuating velocities may dislocate the position of the ball retainer in the BSP type. Therefore, it is recommended that the retainer is periodically repositioned to its proper location by cycling the BSP type over its full stroke length.
- ❹ BSPG or BSR type is recommended when it is difficult to readjust the position of the retainer in the BSP type.
- ❺ Operating temperature
The maximum operating temperature is 120°C, and continuous operation is possible at temperatures up to 100°C. If the operating temperature exceeds 100°C, consult **IKO** for further information.
- ❻ Use Precision Linear Slide at speeds lower than 30 m/min.
- ❼ Precision Linear Slide does not incorporate a mechanical stopper. When over stroke is expected during the operation, prepare a stopper mechanism on the adjoining equipment.
- ❽ In order to ensure smooth motion of BSP and BSR types, it is recommended to wash out rust preventive oil with a suitable cleaning agent, and reapply a high grade lubricating oil or grease to the raceways before running in.
- ❾ The raceways and gear mechanism of BSPG type is smeared with Perfluoro Polyether grease, containing a volatile corrosion inhibiting film. In general use, the BSPG type can be used without any additional treatment if it is kept clean.

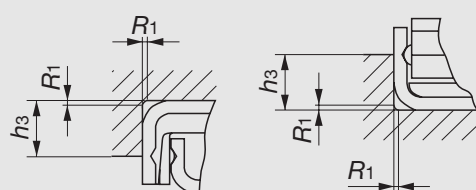
Precautions for Mounting

- ① The reference mounting surface of Precision Linear Slide is the side surface opposite to the **IKO** mark.



- ② When mounting Precision Linear Slide, the mounting bolts should not be inserted deeper than the maximum insertion depth shown in the dimension table.
- ③ When mounting the BSP and BSPG types, the female threads in the table and bed are usually used. It can also be mounted with screws that are one size smaller than the female threads by inserting the screws through the female thread holes. BSP 715 SL ~ BSP 740 SL can not be mounted from inside of the table and bed.
- ④ When mounting the track rail of BSR type, the female threads of the track rail are used. It can also be mounted with screws that are one size smaller than the female threads by inserting the screws through the female thread holes. BSR 1530 SL and BSR 2040 SL can not be mounted from inside of the track rail. When mounting BSR1230SL to BSR1260SL track rail with screws that are one size smaller than the female threads by inserting the screws through the female thread holes, consult **IKO**.
- ⑤ The accuracy of mating surface affects both accuracy and performance of Precision Linear Slides. Therefore, to obtain optimal accuracy during operation, the surface should be finished to as high accuracy as possible. It is recommended to make a relieved fillet at the corner of the mating reference mounting surfaces as shown in Fig. 1. However, corner radius R_1 shown in Table 5 can also be used. Table 5 shows recommended shoulder height of the mating reference mounting surfaces.

Table 5 Shoulder height and corner radius of the mating reference mounting surfaces



BSP·BSPG

BSR

unit : mm

Model number			Shoulder height h_3	Corner radius $R_{1(max.)}$
—	—	BSR 12···	2.5	0.5
BSP 7···	—	—	3	
BSP 10···	—	—	4	
—	BSPG 12···	—	4	
BSP 15···	BSPG 15···	BSR 15···	5	
BSP 20···	BSPG 20···	BSR 20···	6	
BSP 25···	BSPG 25···	BSR 25···	6	

- ⑥ Tightening torque of mounting bolts affects the performance and accuracy of Precision Linear Slides. The limit of the tightening torque depends on the material, rigidity and finish of the mating surfaces. In general, a light tightening torque is used and the recommended values are shown in Table 6. When vibration is expected to occur, it is recommended to use adhesive agent, etc. to secure the bolts.

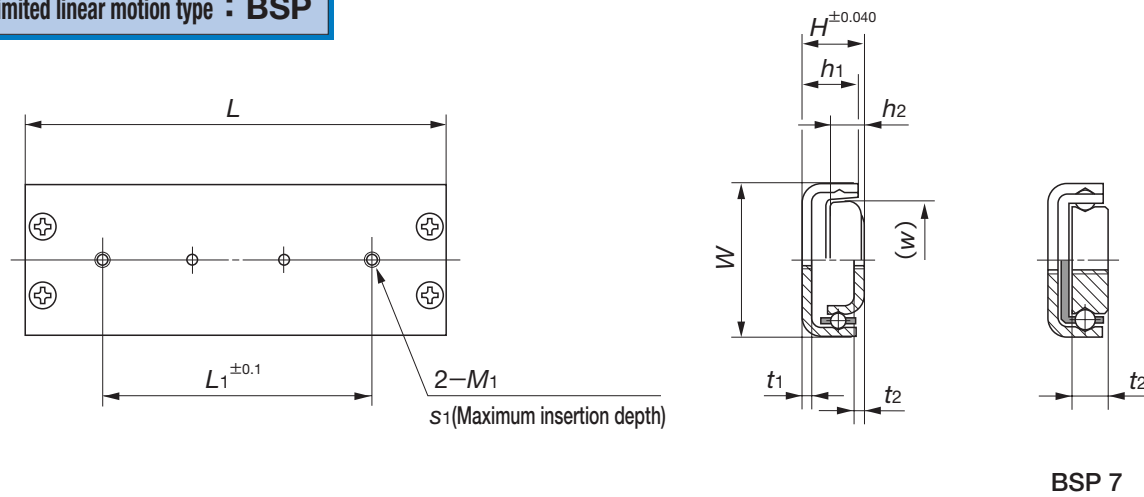
Table 6 Recommended tightening torque of bolts

Bolt size	Tightening torque
	N·m
M2 × 0.4	0.064
M2.3 × 0.4	0.10
M2.6 × 0.45	0.15
M3 × 0.5	0.23

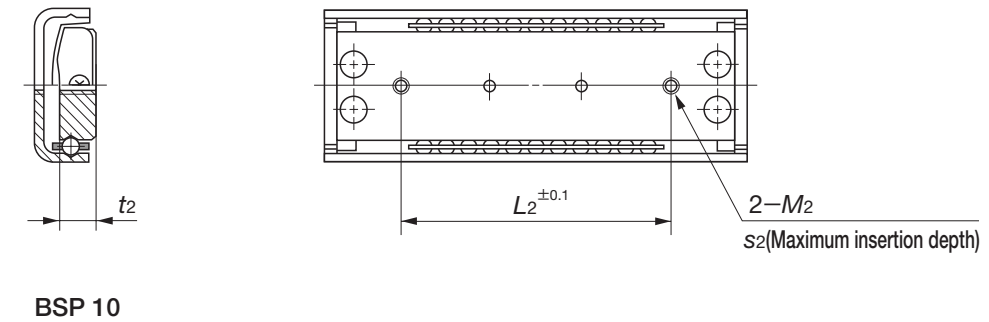
IKO Precision Linear Slide



Limited linear motion type : **BSP**



BSP 7



BSP 10

Model number	Mass (Ref.) g	Nominal dimensions mm				Mounting dimensions of table mm				
		W	H	L	Maximum stroke length	L1	M1	Maximum insertion depth S1	h1	t1
BSP 7 15 SL⁽¹⁾	2.1	7	4	15	9	5	M2	1	3.4	0.9
BSP 7 20 SL⁽¹⁾	2.8			20	9	10				
BSP 7 30 SL⁽¹⁾	4.2			30	18	20				
BSP 7 40 SL⁽¹⁾	5.6			40	23	30				
BSP 10 25 SL	6.2	10	6	25	15	15	M2.6	1.5	5.8	1.1
BSP 10 35 SL	8.8			35	26	25				
BSP 10 45 SL	11.3			45	38	35				
BSP 15 30 SL	11	15	8	30	22	14	M3	2.5	7	1.2
BSP 15 40 SL	14.7			40	24	24				
BSP 15 50 SL	18.4			50	32	34				
BSP 15 60 SL	22.1			60	40	40				
BSP 20 40 SL	23.7	20	10	40	22	24	M3	3.2	9	1.4
BSP 20 50 SL	29.7			50	28	34				
BSP 20 60 SL	35.7			60	34	40				
BSP 20 70 SL	41.7			70	40	45				
BSP 20 80 SL	47.6			80	53	50				
BSP 25 50 SL	37.6	25	10	50	26	34	M3	3.5	9	1.6
BSP 25 60 SL	45.3			60	32	40				
BSP 25 70 SL	52.9			70	40	45				
BSP 25 80 SL	60.5			80	51	50				
BSP 25 100 SL	75.8			100	63	60				

Note⁽¹⁾ : BSP715SL to BSP740SL can not be mounted from inside of the table and bed.

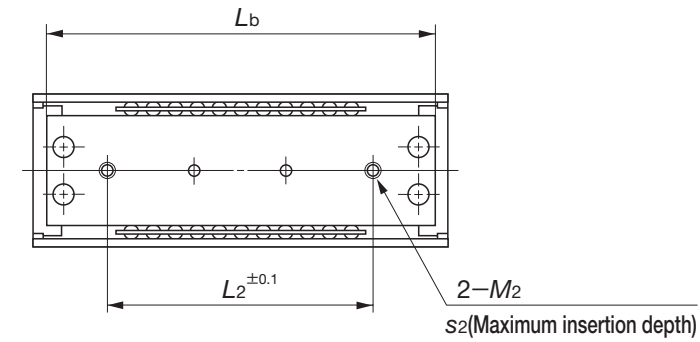
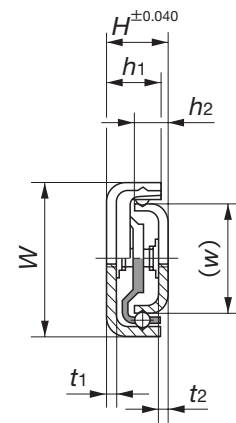
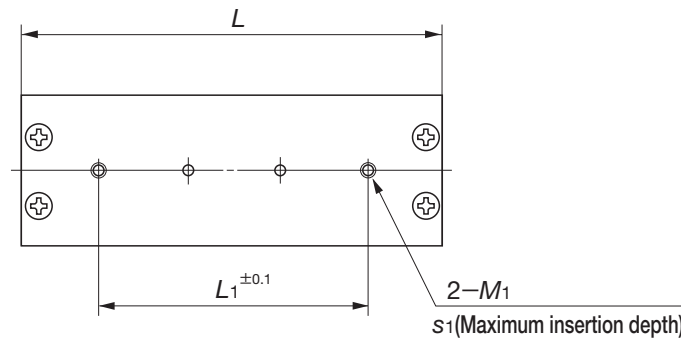
w	Mounting dimensions of bed mm					Basic dynamic load rating C N	Basic static load rating C0 N
	L2	M2	Maximum insertion depth S2	h2	t2		
3.6	5	M2	2	-	2	93.3	42.0
	10					134	70.0
	20					170	98.0
	30					203	126
6.2	15	M2.6	2.7	3.7	2.7	340	156
	25					398	194
	35					453	233
11.2	14	M3	3	4.5	1.2	395	194
	24					550	311
	34					644	389
	40					732	467
16	24	M3	3.5	6.2	1.4	726	386
	34					866	496
	40					998	606
	45					1 120	717
20.5	50	M3	3	5.7	1.6	1 180	772
	34					866	496
	40					998	606
	45					1 120	717
20.5	50	M3	3	5.7	1.6	1 180	772
	60					1 410	992



IKO Precision Linear Slide



Built-in rack & pinion type : BSPG



Model number	Mass (Ref.) g	Nominal dimensions mm				Mounting dimensions of table mm				
		W	H	L	Maximum stroke length	L ₁	M ₁	Maximum insertion depth S ₁	h ₁	t ₁
BSPG 12 25 SL	6.5	12	6	25	14	15	M2.6	2	5.2	1.2
BSPG 12 35 SL	9.0			35	24	24				
BSPG 12 45 SL	11.6			45	34	34				
BSPG 15 40 SL	15.8	15	8	40	24	24	M3	2.5	7	1.2
BSPG 15 50 SL	19.6			50	32	34				
BSPG 15 60 SL	23.5			60	40	40				
BSPG 20 40 SL	25.5	20	10	40	22	24	M3	3.2	9	1.4
BSPG 20 50 SL	31.8			50	28	34				
BSPG 20 60 SL	38.1			60	34	40				
BSPG 20 70 SL	44.4			70	40	45				
BSPG 20 80 SL	50.5			80	47	50				
BSPG 25 50 SL	40.3			25	10	50				
BSPG 25 60 SL	48.3	60	32			40				
BSPG 25 70 SL	56.2	70	38			45				
BSPG 25 80 SL	64.1	80	44			50				
BSPG 25 100 SL	80.0	100	56			60				

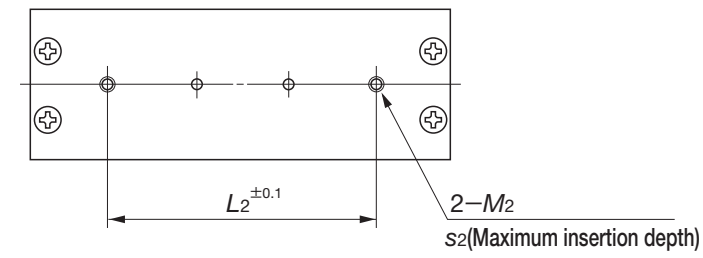
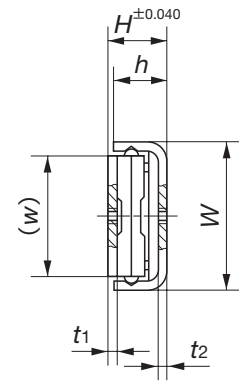
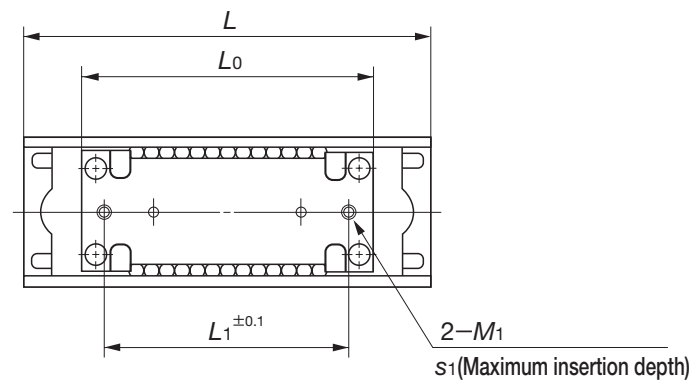
Mounting dimensions of bed mm							Basic dynamic load rating C N	Basic static load rating C ₀ N
L _b	w	L ₂	M ₂	Maximum insertion depth S ₂	h ₂	t ₂		
23.6	7.6	15	M2.6	2	3	1	244	131
33.6		24					299	175
43.6		34					350	219
37	9.6	24	M3	3	4.5	1.2	550	311
47		34					644	389
57		40					732	467
37	13.8	24	M3	3.5	6.2	1.4	726	386
47		34					866	496
57		40					998	606
67		45					1 120	717
77		50					1 240	827
46		18.4					34	M3
56	40		998	606				
66	45		1 120	717				
76	50		1 240	827				
96	60		1 460	1 050				



IKO Precision Linear Slide



Endless linear motion type : BSR



Model number	Mass (Ref.) g	Nominal dimensions mm				Mounting dimensions of slide unit mm					
		W	H	L	Maximum stroke length	w	L ₀	L ₁	M ₁	Maximum insertion depth S ₁	t ₁
BSR 12 30 SL ⁽¹⁾	5.8	12	4.5	30	13	9.8	21.5	15	M2	1.3	0.9
BSR 12 40 SL ⁽¹⁾	7.0			40	23						
BSR 12 50 SL ⁽¹⁾	8.2			50	33						
BSR 12 60 SL ⁽¹⁾	9.3			60	43						
BSR 15 30 SL ⁽²⁾	12.6	15	8	30	10	12.2	30	24	M3	1.8	1
BSR 15 40 SL	14.8			40	20						
BSR 15 50 SL	17.1			50	30						
BSR 15 60 SL	19.3			60	40						
BSR 20 40 SL ⁽²⁾	27.6	20	10	40	12	16.8	40	32	M3	2.2	1.4
BSR 20 50 SL	31.1			50	22						
BSR 20 60 SL	34.6			60	32						
BSR 20 70 SL	38.1			70	42						
BSR 20 80 SL	41.6			80	52						
BSR 25 70 SL	53.8	25	10	70	33	21.4	50	42	M3	2.4	1.6
BSR 25 80 SL	58.4			80	43						
BSR 25 100 SL	67.4			100	63						

Note⁽¹⁾ : When mounting BSR1230SL to BSR1260SL track rail with screws that are one size smaller than the female threads by inserting the screws through the female thread holes, consult **IKO**.
 Note⁽²⁾ : BSR1530SL and BSR2040SL can not be mounted from inside of the track rail.

Mounting dimensions of track rail mm					Basic dynamic load rating C N	Basic static load rating C ₀ N
L ₂	M ₂	Maximum insertion depth S ₂	h	t ₂		
15	M2	1.6	4	0.9	214	140
20						
34						
40						
14	M3	3	7	1.2	543	311
24						
34						
40						
24	M3	3.5	9	1.4	921	551
34						
40						
45						
50	M3	3.5	9	1.6	1 170	772
45						
60						





E-110

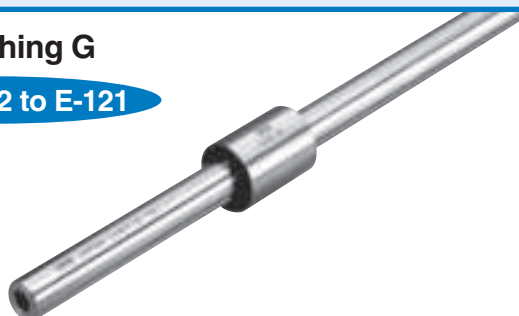
Linear Bushings

Description of each series and Table of dimensions

E

Linear Bushing G

Page E-112 to E-121



Linear Bushing

Page E-122 to E-165



Miniature Linear Bushing

Page E-166 to E-173



In the table of dimensions, standard products are referred to using identification numbers marked with . The identification numbers marked with refer to our semi-standard products.

U.S. PATENTED

Linear Bushing G

LMG

IKO Linear Bushing G is a high load capacity type linear motion rolling guide which achieves endless linear motion of an external cylinder along a shaft with grooved raceways. It is a very simple and compact linear bushing with a large load capacity.

Interchangeable

The dimensional accuracy of the external cylinder and that of the shaft with grooved raceways are controlled individually to ensure interchangeability, so that they can be combined, added or exchanged freely.

Solid shaft and hollow shaft

The shaft with grooved raceways can be selected from two types: the solid shaft type LMG and the hollow shaft type LMGT. The hollow shaft type is suitable for applications in which piping, wiring or ventilation is needed.

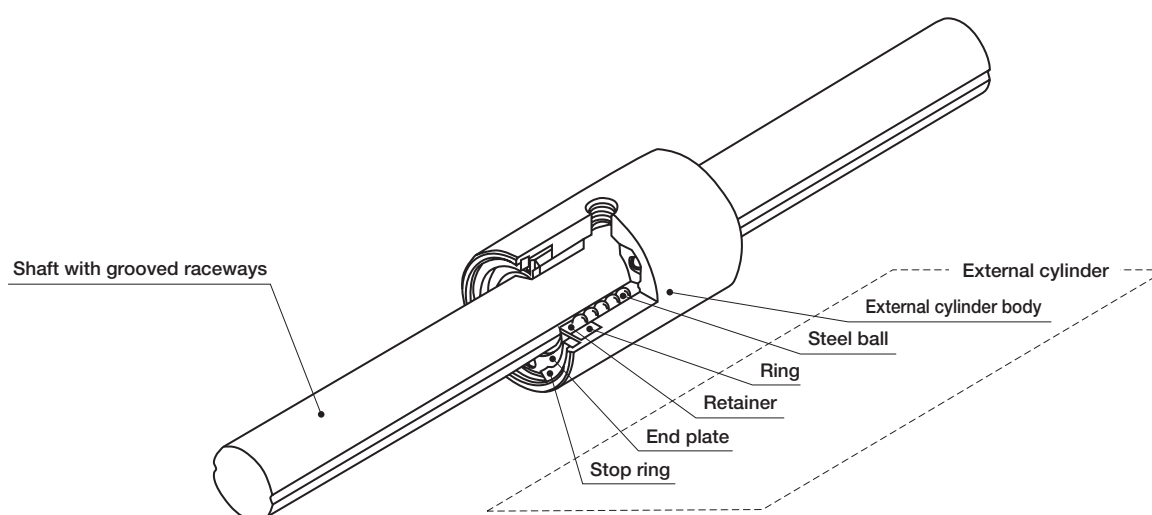
High load capacity

Two rows of steel balls are incorporated in the external cylinder and make contact with grooved raceways of the shaft to obtain high rigidity and high load capacity.

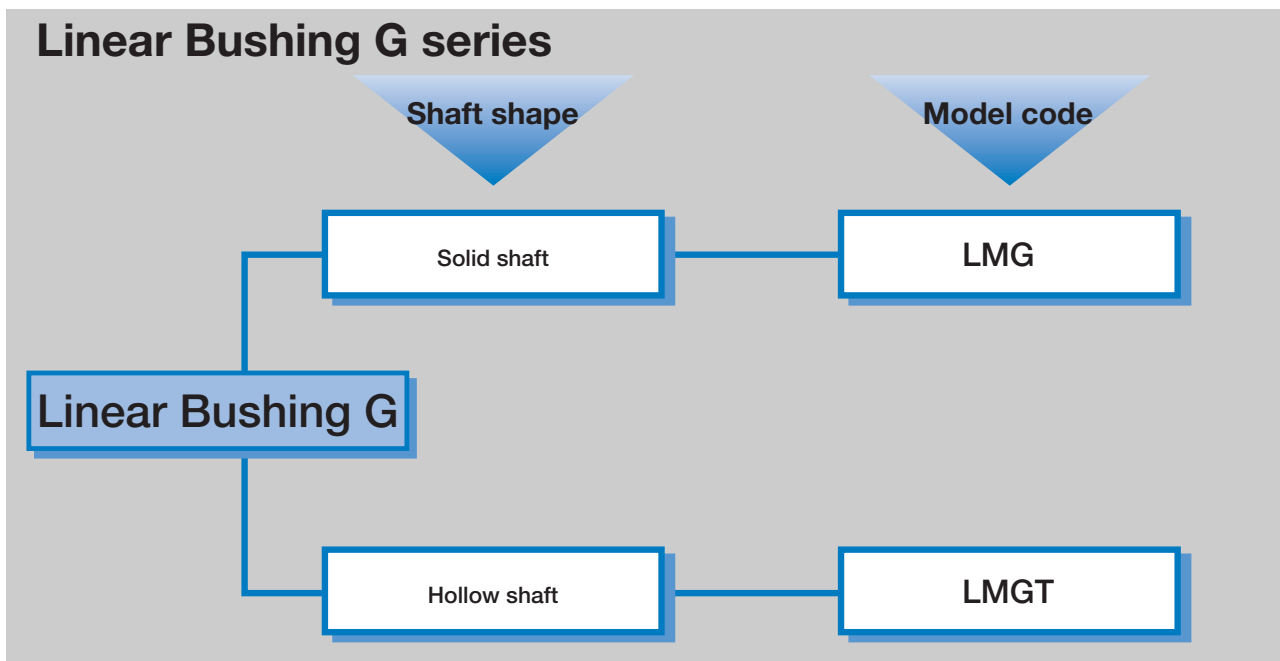
Dimensionally interchangeable with Linear Bushing LM

Linear Bushing G is dimensionally interchangeable with Linear Bushing LM and it is easy to change from one to another.

U.S. PATENT No.5,893,646

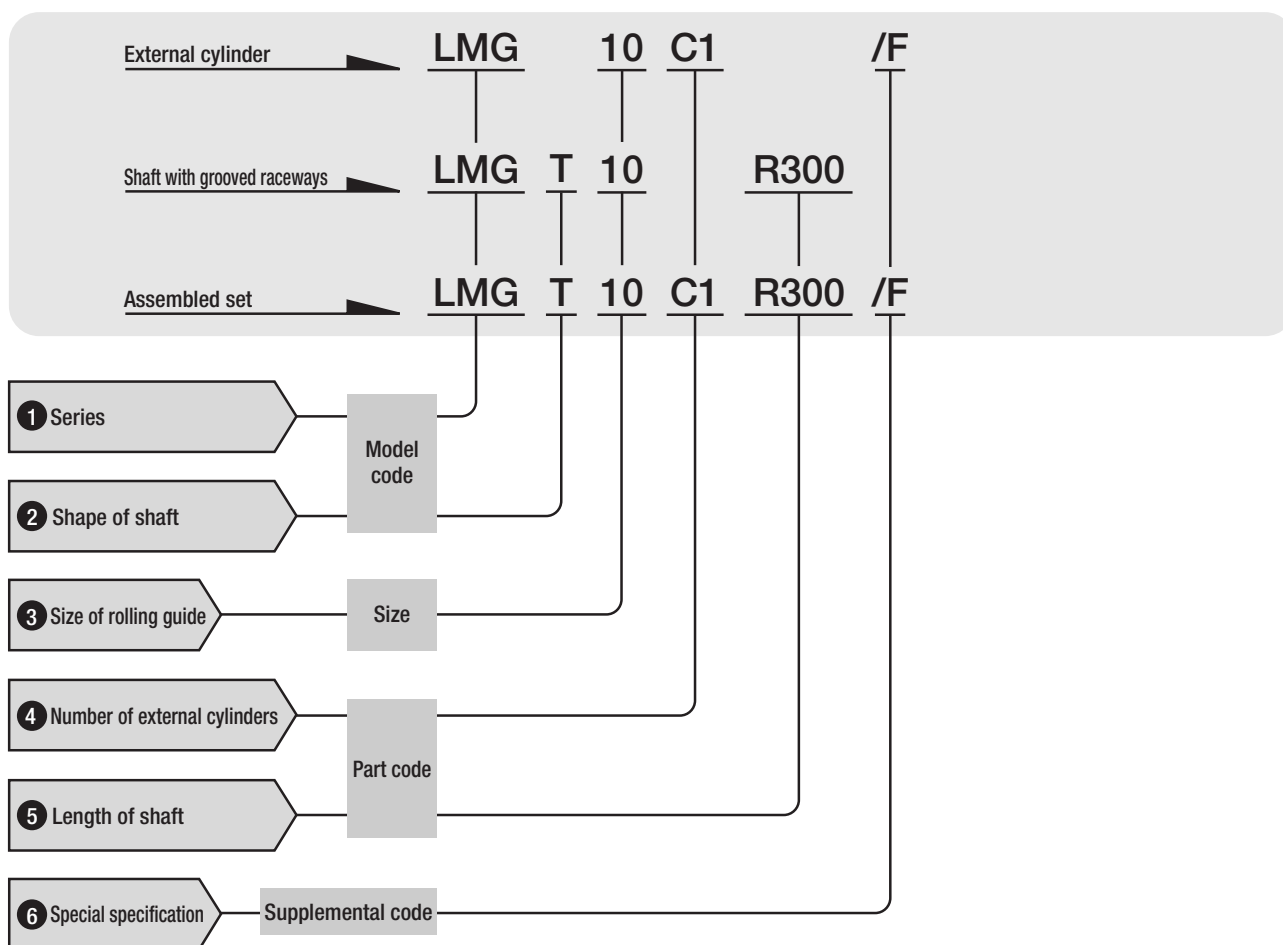


Structure of Linear Bushing G



● Identification number and specification

The specification of Linear Bushing G is indicated by the identification number, consisting of a model code, a size, a part code and any supplemental codes.



LMG
E

1 Series	LMG	
2 Shape of shaft	Solid shaft	: No symbol
	Hollow shaft	: T
3 Size of rolling guide	Indicate the shaft diameter in mm.	
4 Number of external cylinders	Assembled set : C○	For an assembled set, indicate the number of external cylinders assembled on one shaft with grooved raceways. For an external cylinder, only "C1" can be indicated.
	External cylinder only : C1	
5 Length of shaft	Assembled set : R○	Indicate the length of shaft with grooved raceways in mm. For standard and maximum lengths, see the table of dimensions.
	Shaft only : R○	

6 Special specification

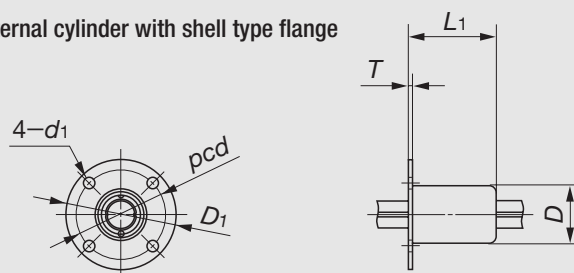
External cylinder with shell type flange : **F**
 With end seals : **U**

Special specification is applicable to all models and sizes. When a combination of several special specifications is required, arrange their supplemental codes in alphabetical order.

External cylinder with shell type flange /F

When a flanged external cylinder is required, this type can be used. A shell type flange is formed by precision drawing of thin steel plate.

Table 1 Dimensions of the external cylinder with shell type flange

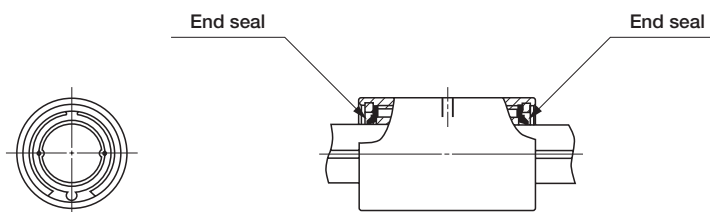


unit : mm

Model number		<i>D</i>	<i>L</i> ₁	<i>T</i>	<i>D</i> ₁	<i>d</i> ₁	<i>pcd</i>
LMG 6	LMGT 6	14	20.5	1.1	28	3.4	22
LMG 8	LMGT 8	17	25.5	1.1	32	3.4	26
LMG 10	LMGT 10	21	30.5	1.1	39	4.5	31
LMG 13	LMGT 13	25	33.5	1.1	43	4.5	35
LMG 16	LMGT 16	30	38.5	1.1	48	4.5	40
LMG 20	LMGT 20	34	43.5	1.1	55	5.5	45

With end seals /U

To prevent intrusion of foreign matter, end seals are mounted at both ends of the external cylinder.



LMG

E

Load Rating

The load ratings of Linear Bushing G are defined for downward load. Summarized descriptions of load ratings are given below. For details of load rating definitions and load calculations, see "General description".

● Basic dynamic load rating C

The basic dynamic load rating is defined as the constant load both in direction and magnitude under which a group of identical Linear Bushings G are individually operated and 90% of the units in the group can travel 50×10^3 meters free from material damage due to rolling contact fatigue.

● Basic static load rating C_0

The basic static load rating is defined as the static load that gives a prescribed constant contact stress at the center of the contact area between the rolling element and raceway receiving the maximum load.

● Dynamic torque rating T

The dynamic torque rating is defined as the constant torque both in direction and magnitude under which a group of identical Linear Bushings G are individually operated and 90% of the units in the group can travel 50×10^3 meters free from material damage due to rolling contact fatigue.

● Static torque rating T_0

The static torque rating is defined as the static torque that gives a prescribed constant contact stress at the center of the contact area between the rolling element and raceway receiving the maximum load.

● Load direction and load rating

Since the load ratings of Linear Bushing G given in the table of dimensions are for downward load, they must be corrected for the load direction for upward or lateral load. The corrected basic dynamic load ratings and basic static load ratings are shown in Table 2.

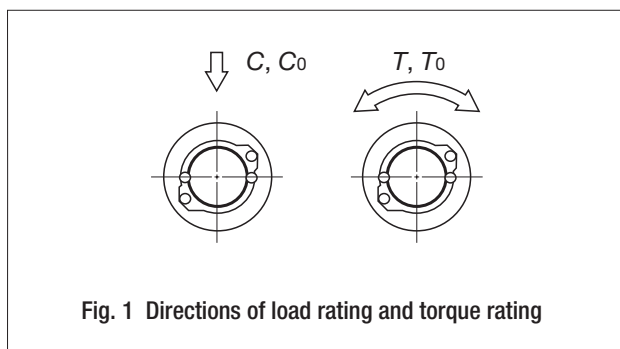


Table 2 Load direction and load rating

Load rating Load direction	Dynamic load rating	Static load rating
Downward	C	C₀
Upward	C	C₀
Lateral	1.43C	1.73C₀

Accuracy

The accuracy of Linear Bushing G is shown in the dimension table. The allowable value for the total radial runout of axial line of the shaft with grooved raceways is shown in Table 3.

The allowable value for the twist of grooves with respect to effective length of shaft with grooved raceways is $33\mu\text{m}$ for any length of 100 mm over the entire effective length of raceway. Measuring methods of accuracy are shown in Table 4.

Table 3 Total radial runout of axial line of shaft with grooved raceways

unit : μm

Overall length of shaft mm		LMG 6	LMG 8	LMG 10	LMG 13	LMG 16	LMG 20
over	incl.	LMGT 6	LMGT 8	LMGT 10	LMGT 13	LMGT 16	LMGT 20
–	200	142	142	129	129	126	
200	315	203	203	153	153	141	
315	400	–	255	173	173	153	
400	500	–	306	193	193	165	
500	630	–	–	221	221	182	
630	800	–	–	–	260	207	
800	1 000	–	–	–	–	240	

Remark : These values are applicable when the radial internal clearance is $0\mu\text{m}$.

Table 4 Measuring methods of accuracy

Item	Measuring method	Illustrations of measuring method
Twist of grooves with respect to effective length of the shaft with grooved raceways	Fix and support the shaft. Then apply a uni-directional torsional moment on the external cylinder before placing a dial gage probe at right angles to the shaft against the side face of the measuring block attached on the external cylinder. Measure runout when the external cylinder and the gage have traveled together 100 millimeters on any effective part of the raceway grooves. In the measurement, the probe should be applied as near as possible to the outer surface of the external cylinder.	
Total radial runout of axial line of shaft with grooved raceways (See Table 3.)	While supporting the shaft at its supporting parts or at both center holes, place a dial gage probe to the outer surface of external cylinder, and measure runout at several positions in the axial direction while turning the shaft one rotation. Use the maximum value.	

Radial Internal Clearance

The radial internal clearance of Linear Bushing G is approx. $10\mu\text{m}$. In the shell flange type, radial internal clearance is slightly smaller than that of standard type.

Moment of Inertia of Sectional Area and Section Modulus of Shaft with Grooved Raceways

Moment of inertia of sectional area and section modulus of the shaft with grooved raceways are shown in Table 5.

Table 5 Moment of inertia of sectional area and section modulus

Model number		Moment of inertia of sectional area mm^4		Section modulus mm^3	
		Solid shaft	Hollow shaft	Solid shaft	Hollow shaft
LMG 6	LMGT 6	60	59	20	20
LMG 8	LMGT 8	190	190	49	48
LMG 10	LMGT 10	470	460	95	93
LMG 13	LMGT 13	1 360	1 300	210	200
LMG 16	LMGT 16	3 130	2 930	390	360
LMG 20	LMGT 20	7 720	7 230	770	720

Precautions for Use

1 Lubrication

Both grease and oil lubrication are applicable. In case of grease lubrication, use of quality lithium-soap base grease is recommended for general applications.

2 Fixing depth of mounting bolt of external cylinder

The fixing depth of mounting bolt of external cylinder should be less than the maximum depth shown in the dimension table. The fixing female thread hole in the external cylinder is a through hole. Therefore, if the fixing depth of mounting bolt is too large, the mounting bolt will contact and push the shaft, and accuracy and life will be affected adversely.

3 Multiple external cylinders in close distance

When two or more external cylinders (standard or with shell type flange) are used in close distance in the same housing, the distance between the centers of external cylinders should be over three times of the length of external cylinders. If the external cylinders are used in close distance, consult **IKO**.

4 Operation with rotational torque

In case a bi-directional and/or repeated rotational torque is applied, select **IKO** Linear Ball Spline G.

Precautions for Mounting

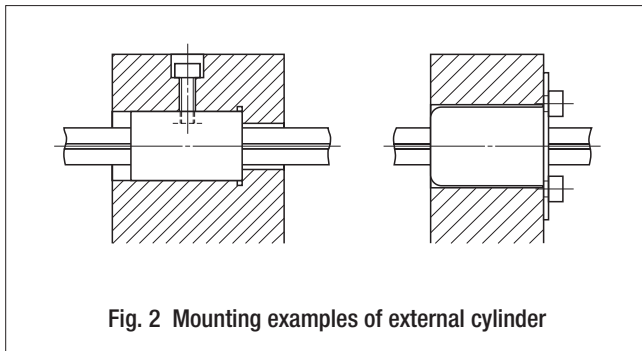
● Fit

The normal fit between the external cylinder of Linear Bushing G and the housing is recommended to be a clearance fit (H7). But, in special cases, a transition fit (J7) may be used.

In case of the external cylinder with shell type flange, a clearance of over 0.2 mm based on the nominal outside diameter is required.

● Mounting

To mount Linear Bushing G, the external cylinder should be press fitted carefully with proper tools using, for example, a press machine. Mounting examples are shown in Fig. 2.



Accessories

● Shaft Support Block

Support blocks are prepared for supporting the ends of "shaft with grooved raceways" of Linear Bushing G. For details, consult **IKO**.

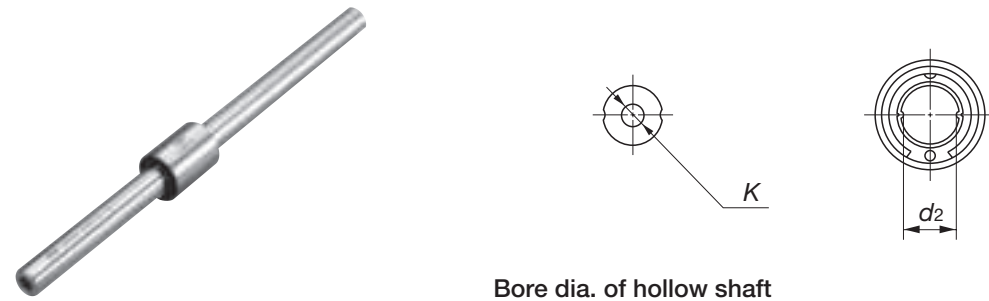
LMG

E

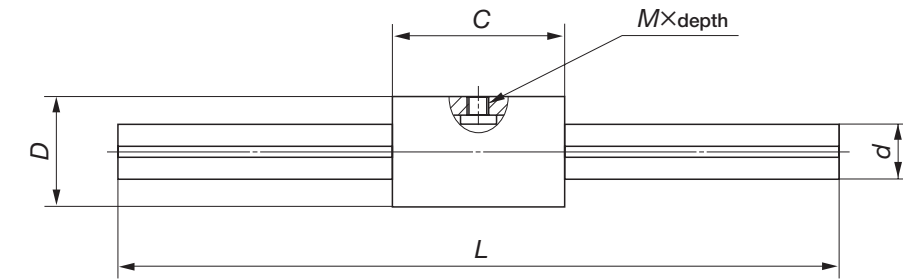
IKO Linear Bushing G



Solid shaft : LMG
Hollow shaft : LMGT



Bore dia. of hollow shaft



Model number	Interchangeable	Mass (Ref.) g		Nominal dimensions and tolerances mm						
		External cylinder	Shaft ⁽¹⁾	D	Tolerance	C	Tolerance	M×depth ⁽²⁾	d	Tolerance
LMG 6	☆	9.4	22.0	12	0	19	0	M2.5×1.9 (2.5)	6	0
LMGT 6	☆		19.5		-0.011		-0.200			-0.012
LMG 8	☆	15.7	39.3	15	0	24	0	M3 ×2.4 (3)	8	0
LMGT 8	☆		33.7		-0.011		-0.200			-0.015
LMG 10	☆	31.5	61.2	19	0	29	0	M3 ×3.1 (4)	10	0
LMGT 10	☆		51.4		-0.013		-0.200			-0.015
LMG 13	☆	45.4	104	23	0	32	0	M3 ×3.4 (4.5)	13	0
LMGT 13	☆		81.4		-0.013		-0.200			-0.018
LMG 16	☆	78.2	157	28	0	37	0	M4 ×4.1 (5.5)	16	0
LMGT 16	☆		118		-0.013		-0.200			-0.018
LMG 20	☆	110	246	32	0	42	0	M4 ×4.1 (5.5)	20	0
LMGT 20	☆		185		-0.016		-0.200			-0.021

Note⁽¹⁾ : Figures shown in this column are the mass per 100 mm of shaft.

⁽²⁾ : The values in parentheses indicate the max. fixing depth of mounting bolt.

⁽³⁾ : Dimension d_2 indicates the maximum diameter when machining is done at the shaft ends.

⁽⁴⁾ : Figures shown in T and T_0 columns are applicable when a uni-directional torque is applied.

In case a bi-directional and/or repeated rotational torque is applied, select **IKO** Linear Ball Spline G.

Remark : All Linear Bushing G series are interchangeable specification products.

d_2 ⁽³⁾	K	L	Maximum length	Basic dynamic load rating	Basic static load rating	Dynamic torque rating ⁽⁴⁾	Static torque rating ⁽⁴⁾
				C N	C_0 N	T N·m	T_0 N·m
5.2	-	150 200	300	587	641	2.1	2.2
	2						
7	-	150 200 250	500	769	962	3.5	4.3
	3		400				
8.9	-	200 300	600	1 410	1 710	8.0	9.7
	4						
11.9	-	200 300 400	800	1 880	2 150	13.7	15.7
	6						
14	-	200 300 400	1 000	2 590	2 930	23.1	26.1
	8						
17.5	-	300 400 500 600	1 000	3 010	3 660	32.8	39.9
	10						

Linear Bushing

LBE/LBD/LBB/LM/LME/LMB

IKO Linear Bushing is a high precision linear motion rolling guide which travels along a shaft to achieve endless linear motion. In the external cylinder, a retainer, steel balls, etc. are compactly incorporated. Wide variations in size are available for selections suitable for each application.

Low frictional linear motion

Steel balls are accurately guided by a retainer, so low frictional resistance and stable linear motion can be achieved.

Simple replacement of conventional plain bushings

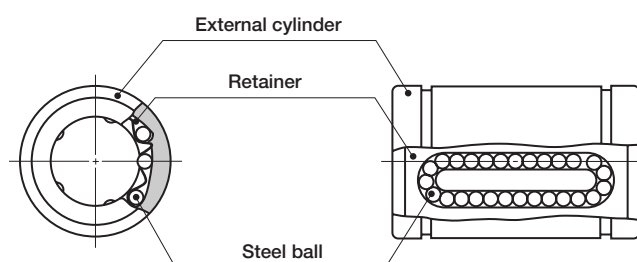
It is easy to use Linear Bushings instead of conventional plain bushings, because both types are used with a round shaft, and no major redesign is necessary.

Wide variations

For each dimensional series, standard, adjustable clearance and open types are available with and without seals, so the best linear bushing for the application may be selected.

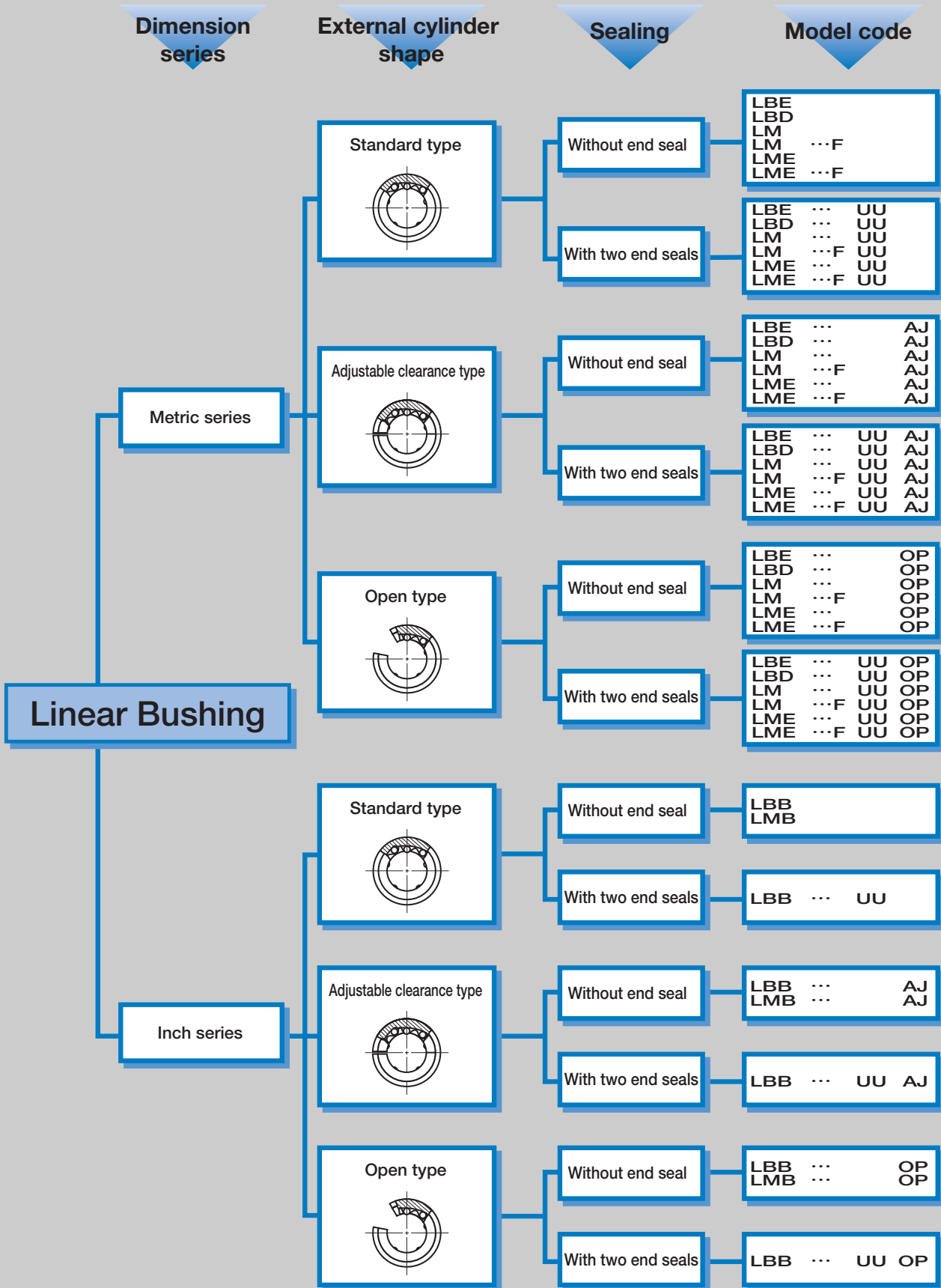
Stainless steel type

Linear Bushings made of stainless steel are also available. This type is suitable for applications where corrosion resistance is important.



Structure of Linear Bushing

Linear Bushing series



LBE, LBD, LBB, LMB, LME, LMB

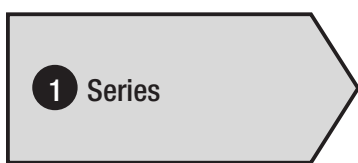
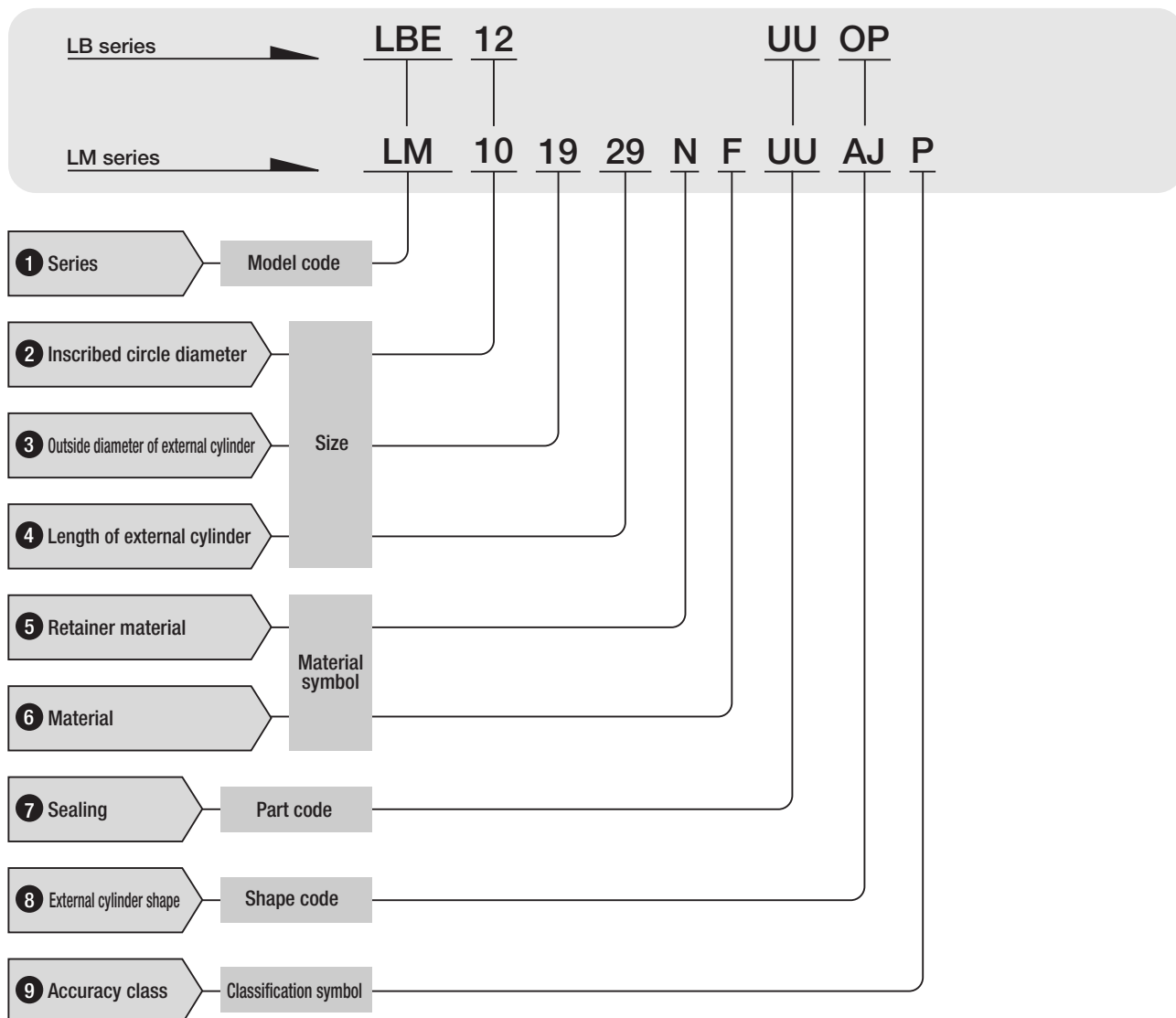


Remark : "F" in the model code indicates that it is stainless steel type.

1N=0.102kgf=0.2248lbs.
1mm=0.03937inch

● Identification number and specification

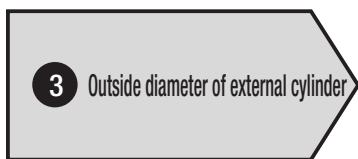
The specification of Linear Bushing is indicated by the identification number, consisting of a model code, a size, a material symbol, a part code, a shape code and a classification symbol.



Metric series : LBE, LBD, LM, LME
 Inch series : LBB, LMB



For the metric series, indicate the inscribed circle diameter in mm. For the inch series, indicate the inscribed circle diameter in the unit of 1/16 inch.



For the metric series, indicate the outside diameter of external cylinder in mm. For the inch series, indicate the outside diameter of external cylinder in the unit of 1/16 inch.

<p>4 Length of external cylinder</p>	<p>For the metric series, indicate the length of the external cylinder in mm. For the inch series, indicate the length of external cylinder in the unit of 1/16 inch.</p>
<p>5 Retainer material</p>	<p>Carbon steel made : No symbol Synthetic resin made : N</p> <p>In case of LM series, specify the retainer material. For applicable models and sizes, see the "Model number" column in the table of dimensions on pages E-132 to E-165. The maximum operating temperature for the synthetic resin type is 100°C. Continuous operation is possible at temperatures up to 80°C. In all of LB series, the retainer is made of synthetic resin.</p>
<p>6 Material</p>	<p>High carbon steel made : No symbol Stainless steel made : F</p> <p>Specify the component part material. For applicable models and sizes, see the "Model number" column in the table of dimensions on pages E-132 to E-165.</p>
<p>7 Sealing</p>	<p>Without end seal : No symbol With two end seals : UU</p> <p>The two seal types incorporate seals with superior dust protection performance at both ends of the external cylinder for preventing intrusion of foreign matter. The maximum allowable temperature for seals is 120°C.</p>
<p>8 External cylinder shape</p>	<p>Standard type : No symbol Adjustable clearance type : AJ Open type : OP</p> <p>See "External cylinder shape" shown below.</p>

External cylinder shape

<p>Standard type</p>	<p>This type is widely used as a general purpose linear guide. High and precision classes are available.</p>	<p>Open type</p>	<p>This type has one or two fewer ball circuits than the standard type, creating an open section to allow clearance for a shaft support. The open type bushing is commonly used with long shafts when one or more support blocks are needed to reduce shaft deflection or sag. The width of the support blocks can be determined to match the (E) dimension of fan shaped open section shown in the table of dimensions. The radial internal clearance can also be adjusted.</p>
<p>Adjustable clearance type</p>	<p>A slot in a longitudinal direction is made on the external cylinder in order to adjust the clearance. When this type is used with a housing which can adjust the bore diameter, the radial internal clearance can be adjusted without fit selection between the linear bushing and shaft. It is possible to give a preload.</p>		

<p>9 Accuracy class</p>	<p>High : No symbol Precision : P</p> <p>For details of accuracy, see the table of dimensions on pages E-132 to E-165. High class and precision class are available for the LBD, LBB, LM and LMB standard type series. For the adjustable clearance type and the open type, only high class is available, and the accuracy values are applicable only before cutting the external cylinders.</p>
--------------------------------	--

LBE, LBD, LBB, LM, LME, LMB



Load Rating

Summarized descriptions of load ratings of Linear Bushing are given below. For details of load rating definitions and load calculations, see "General description".

● Basic dynamic load rating C

The basic dynamic load rating is defined as the constant load both in direction and magnitude under which a group of identical Linear Bushings are individually operated and 90% of the units in the group can travel 50×10^3 meters free from material damage due to rolling contact fatigue.

● Basic static load rating C_0

The basic static load rating is defined as the static load that gives a prescribed constant contact stress at the center of the contact area between the rolling element and raceway receiving the maximum load.

● Relationships between load ratings and the position of ball circuits

Load ratings of Linear Bushing are affected by the position of the ball circuits. In the table of dimensions, two types of load ratings are shown corresponding to the load directions and steel ball circuit positions as shown in Fig. 1 and Fig. 2.

In Fig. 1 the load direction is in line with the steel ball circuit position and this direction is referred to as load direction A in the table of dimensions. In general, the load ratings for this direction are also used, when the load direction is indeterminate or the steel ball circuit position in relation to the load direction cannot be determined.

In Fig. 2, the load direction is pointed at the center of two ball circuits and this direction is referred to as load direction B in the table of dimensions. In general, a larger load can be received in this case compared with load direction A.

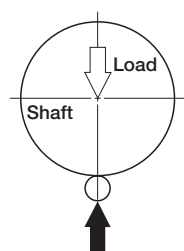


Fig. 1 Load direction A

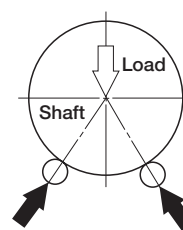


Fig. 2 Load direction B

Precautions for Use

① Clearance

Adjustable clearance and open type Linear Bushings can be adjusted for radial internal clearance if they are used with a housing which can adjust the bore diameter.

However, if the degree of the adjustment is excessive, deformation at the contact points between steel balls and shaft or external cylinder becomes large, resulting in short life. Therefore, it is recommended to prepare a shaft with a specified fit tolerance and adjust the radial internal clearance to zero or minimal preload by matching the individual components.

The clearance is adjusted while checking with a dial gage. The adjustment is generally completed when the shaft is rotated in an unloaded condition and light resistance is caused by the rotation of shaft. In this condition, the radial internal clearance becomes zero or minimal preload. For open type Linear Bushings having three rows of ball circuits, clearance adjustment can not be made.

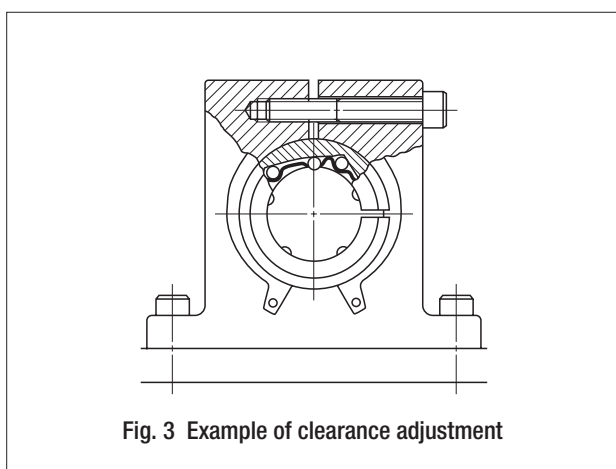


Fig. 3 Example of clearance adjustment

② Raceway surface

Since Linear Bushings operate with a shaft as a raceway surface, the shaft should be heat-treated and ground. Recommended surface hardness and roughness of the shaft are shown in Table 1, and also recommended minimum effective hardening depth of the raceway is shown in Table 2.

Table 1 Surface hardness and roughness of raceway

Item	Recommended value	Remarks
Surface hardness	58~64HRC	When the raceway hardness is less than the necessary hardness, multiply load ratings by the hardness factor.
Surface roughness	0.2 μ mRa or better (0.8 μ mRy or better)	When the required accuracy is not severe, a surface roughness of about 0.8 μ mRa (3.2 μ mRy) is adequate.

Table 2 Minimum effective hardening depth unit : mm

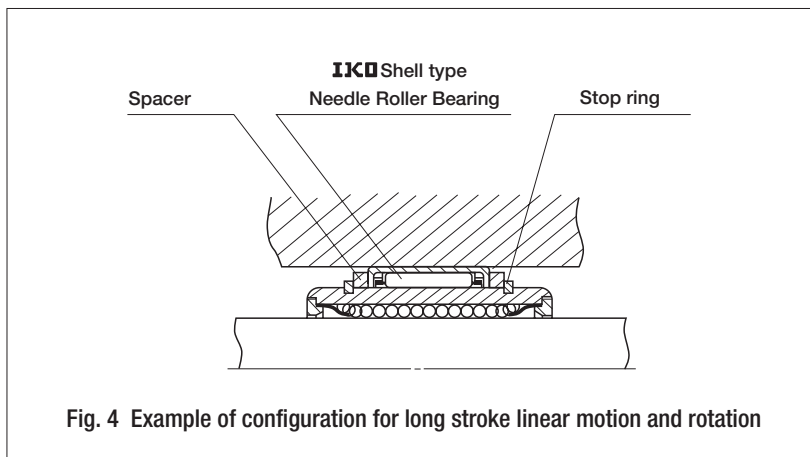
Shaft diameter		Recommended minimum effective hardening depth
over	incl.	
—	28	0.8
28	50	1.0
50	100	1.5
100	150	2.0

3 Lubrication

Linear Bushings can be used with oil or grease lubrication. A good quality lithium-soap base grease is recommended for grease lubrication.

4 When rotational motion is present

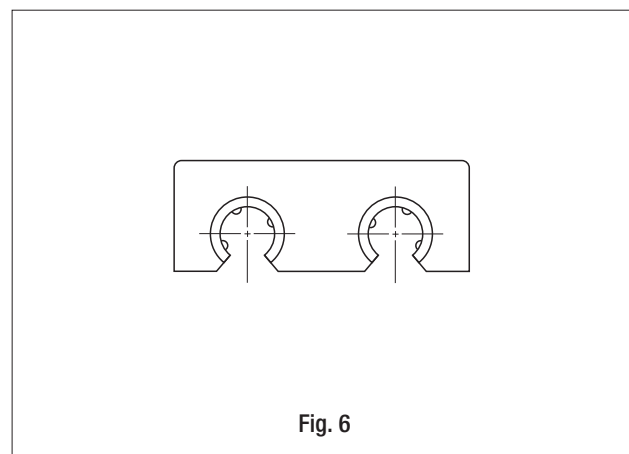
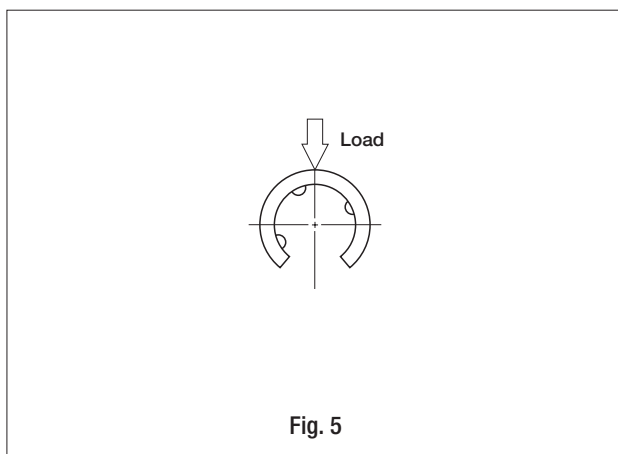
Linear Bushings can only be operated in linear motion and can not be rotated. When linear motion in short stroke length and rotation are both required, **IKO** Stroke Rotary Bushing (See page E-176.) is recommended. If linear motion in long stroke length and rotation are both required, a combination of Linear Bushing and **IKO** Needle Roller Bearing as shown in Fig. 4 is recommended.



5 Precaution for use of Open type Linear Bushing having three rows of ball circuits

Open type Linear Bushings having three rows of ball circuits can be used only for the load direction shown in Fig. 5. If two Linear Bushings are used in parallel, by considering the load distribution, the arrangement shown in Fig. 6 is recommended.

This type can not be adjusted for radial internal clearance.



Precautions for Mounting

● Fit

Table 3 shows the recommended fit tolerances for Linear Bushing. The fit between Linear Bushing and housing is usually clearance fit. For some special applications, an interference fit may be required. For adjustable clearance or open type Linear Bushings, the following recommendations apply. The shaft diameter is finished smaller than the lower limit of the tolerance range of the inscribed circle diameter of the Linear Bushing, while the housing diameter is finished larger than the upper limit of the tolerance range of the outside diameter of the external cylinder of the Linear Bushing.

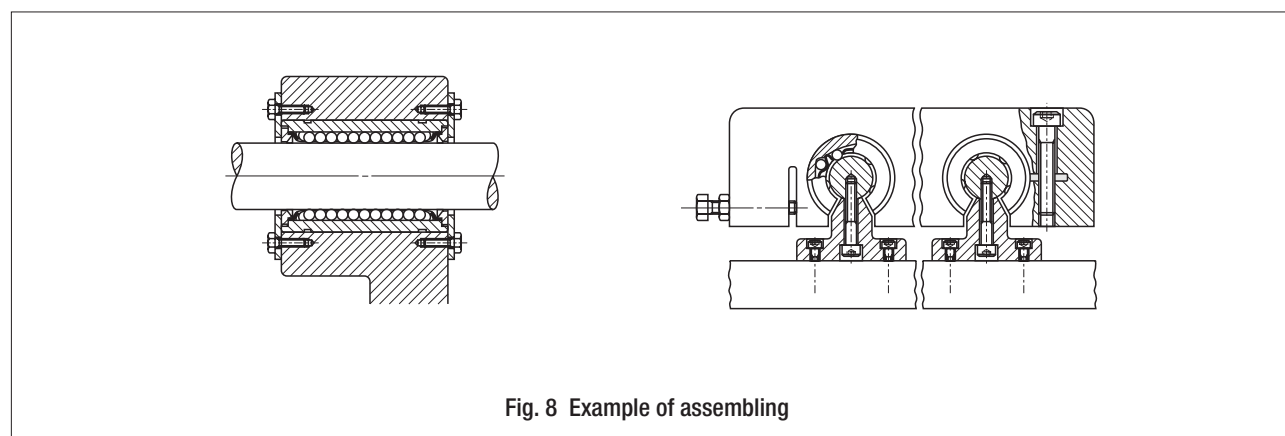
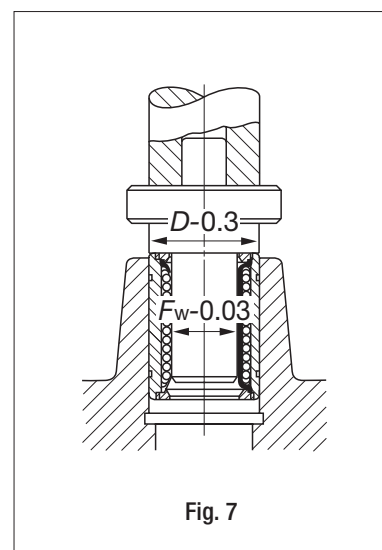
Table 3 Recommended fit tolerance

Type	Item	Shaft		Housing	
		Normal clearance	Closer clearance	Clearance fit	Interference fit
LBD, LBB	High class	f6,g6	h6	H7	J7
LM, LMB	Precision class	f5,g5	h5	H6	J6
LBE, LME	—	h6	j6	H7	J7

● Mounting

When press-fitting the Linear Bushing into the housing, do not hit the end plate. The correct method is to gradually push the external cylinder with a jig for assembling. (See Fig. 7.) Then the external cylinder is fixed in the axial direction with a stop ring or a stopper plate. When inserting the shaft into the Linear Bushing assembled into a housing, gradually and gently insert a shaft avoiding to give impact on the steel balls and retainers.

If two shafts are used in parallel, fix one shaft accurately as a datum shaft and locate the second shaft to the datum shaft keeping the parallelism. Fig. 8 shows an example of general assembling.



LBE, LBD, LBB, LM, LME, LMB

E

Accessories

● Steel shaft for Linear Bushing

In order to achieve full performance of Linear Bushing, heat-treated and ground steel shafts with high accuracy are available. Commercial shafts can also be delivered upon request. For details, consult **IKO**.

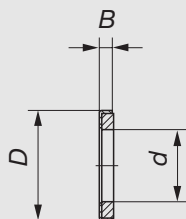
● Shaft support block

Support blocks are prepared for supporting the ends of shaft for Linear Bushing. For details, consult **IKO**.

● Felt seals for Linear Bushing

Felt seals are available for Linear Bushing without end seal. If dust protection and minimal frictional resistance in linear motion are both required, felt seals are recommended. Dimensions of felt seals are shown in Table 4.

Table 4 Dimensions of felt seals for Linear Bushing



unit : mm

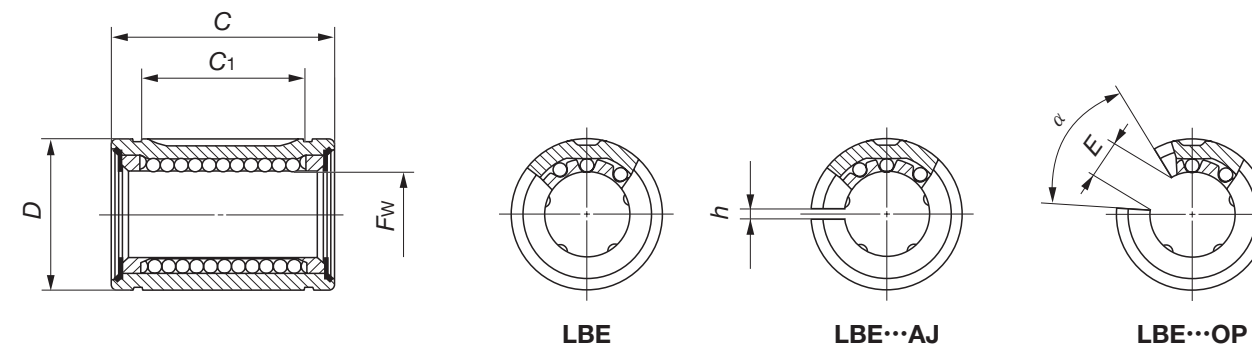
Model number	d	D	B
FLM 6	6	12	2
FLM 8	8	15	2
FLM 10	10	19	3
FLM 13	13	23	3
FLM 16	16	28	4
FLM 20	20	32	4
FLM 25	25	40	5
FLM 30	30	45	5
FLM 35	35	52	5
FLM 40	40	60	5
FLM 50	50	80	10
FLM 60	60	90	10
FLM 80	80	120	10
FLM 100	100	150	10

Remark : These felt seals are used with LM or LBD models. For other models and types, consult **IKO** for details.

IKO Linear Bushing : Metric series



Standard type : **LBE** Adjustable clearance type : **LBE...AJ** Open type : **LBE...OP**



Shaft diameter mm	Standard type	Model number								Fw	Tolerance μm
		Ball circuits	Mass (Ref.) g	Adjustable clearance type	Ball circuits	Mass (Ref.) g	Open type	Ball circuits	Mass (Ref.) g		
5	LBE 5	3	8.6	LBE 5 AJ	3	8.4	—	—	—	5	+8 0
8	LBE 8	3	16.9	LBE 8 AJ	3	16.6	—	—	—	8	
12	LBE 12	4	36.5	LBE 12 AJ	4	35.5	LBE 12 OP	3	29.5	12	+9 -1
16	LBE 16	4	47	LBE 16 AJ	4	46.5	LBE 16 OP	3	37.5	16	
20	LBE 20	5	84.5	LBE 20 AJ	5	83	LBE 20 OP	4	72	20	+11 -1
25	LBE 25	5	161	LBE 25 AJ	5	159	LBE 25 OP	4	141	25	
30	LBE 30	6	305	LBE 30 AJ	6	300	LBE 30 OP	5	265	30	+13 -2
40	LBE 40	6	555	LBE 40 AJ	6	545	LBE 40 OP	5	480	40	
50	LBE 50	6	935	LBE 50 AJ	6	925	LBE 50 OP	5	815	50	

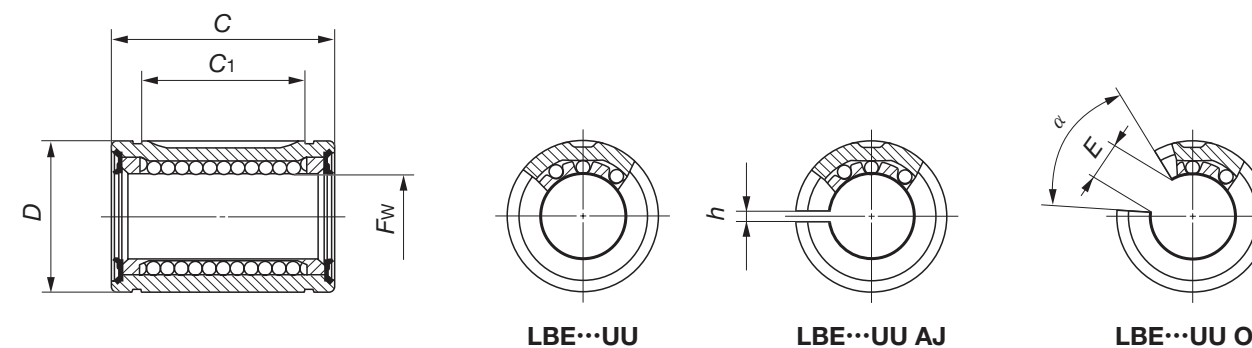
Nominal dimensions and tolerances mm									Eccentricity Max. μm	Basic dynamic load rating C		Basic static load rating C0		Preferable circlip DIN 471
D	Tolerance μm	C	Tolerance μm	C1	Tolerance μm	h	E	α Degree		Load direction A N	Load direction B N	Load direction A N	Load direction B N	
12	0 -8	22	0 -210	12	+270 0	1.5	—	—	12	90.6	73.6	213	213	12×1
16	—	25	—	14	—	1.5	—	—	12	121	98.6	255	255	16×1
22	0 -9	32	—	20	—	1.5	7.5	78°	13	284	327	575	813	22×1.2
26	—	36	0 -250	22	+330 0	1.5	10	78°	13	311	357	587	830	26×1.2
32	—	45	—	28	—	2.0	10	60°	14	617	734	1 150	1 680	32×1.5
40	0 -11	58	—	40	+390 0	2.0	12.5	60°	15	1 070	1 270	2 020	2 960	42×1.75
47	—	68	0 -300	48	—	2.0	12.5	50°	15	1 560	1 650	3 060	3 910	48×1.75
62	0 -13	80	—	56	+460 0	2.0	16.8	50°	17	2 710	2 870	4 890	6 250	62×2
75	—	100	0 -350	72	—	2.0	21	50°	17	3 940	4 180	7 130	9 120	75×2.5

LBE, LBD, LBB, LM, LME, LMB

IKO Linear Bushing with Seals : Metric series



Standard type : LBE...UU Adjustable clearance type : LBE...UU AJ Open type : LBE...UU OP



Shaft diameter mm	Standard type	Model number								Fw	Tolerance μm
		Ball circuits	Mass (Ref.) g	Adjustable clearance type	Ball circuits	Mass (Ref.) g	Open type	Ball circuits	Mass (Ref.) g		
5	LBE 5 UU	3	8.6	LBE 5 UU AJ	3	8.4	—	—	—	5	+8 0
8	LBE 8 UU	3	17	LBE 8 UU AJ	3	16.7	—	—	—	8	
12	LBE 12 UU	4	36.5	LBE 12 UU AJ	4	36	LBE 12 UU OP	3	29.5	12	+9 -1
16	LBE 16 UU	4	47.5	LBE 16 UU AJ	4	47	LBE 16 UU OP	3	38	16	
20	LBE 20 UU	5	85	LBE 20 UU AJ	5	83.5	LBE 20 UU OP	4	72.5	20	+11 -1
25	LBE 25 UU	5	162	LBE 25 UU AJ	5	160	LBE 25 UU OP	4	142	25	
30	LBE 30 UU	6	305	LBE 30 UU AJ	6	305	LBE 30 UU OP	5	265	30	+13 -2
40	LBE 40 UU	6	555	LBE 40 UU AJ	6	550	LBE 40 UU OP	5	485	40	
50	LBE 50 UU	6	940	LBE 50 UU AJ	6	930	LBE 50 UU OP	5	815	50	

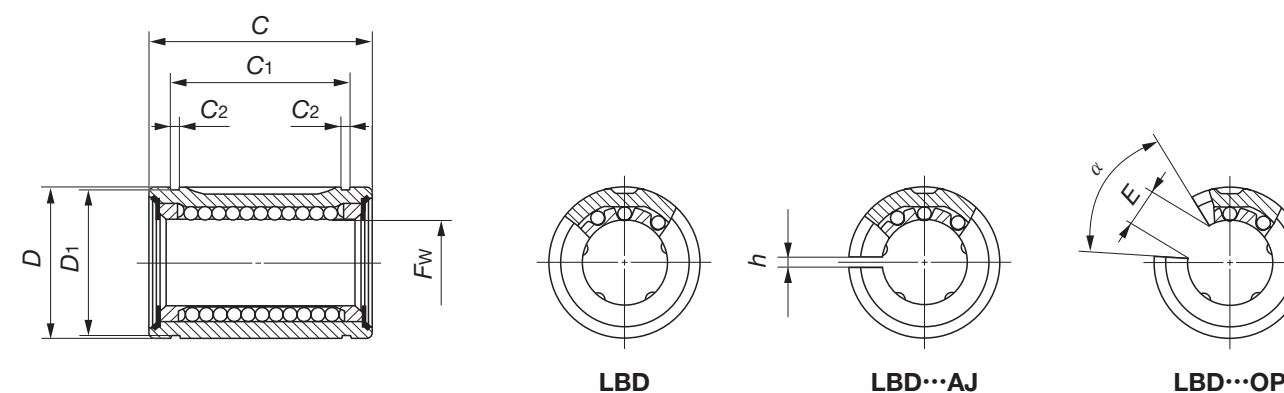
Nominal dimensions and tolerances mm										Eccentricity Max. μm	Basic dynamic load rating C		Basic static load rating C ₀		Preferable circlip DIN 471
D	Tolerance μm	C	Tolerance μm	C ₁	Tolerance μm	h	E	α Degree	Load direction A N		Load direction B N	Load direction A N	Load direction B N		
12	0	22	0	12	+270 0	1.5	—	—	12	90.6	73.6	213	213	12×1	
16	-8	25	-210	14	0	1.5	—	—		121	98.6	255	255	16×1	
22	0	32	0	20	+330 0	1.5	7.5	78°	13	284	327	575	813	22×1.2	
26	-9	36	-250	22		1.5	10	78°		311	357	587	830	26×1.2	
32	0	45	0	28	+390 0	2.0	10	60°	14	617	734	1 150	1 680	32×1.5	
40	-11	58	0	40		2.0	12.5	60°		1 070	1 270	2 020	2 960	42×1.75	
47	0	68	-300	48	+460 0	2.0	12.5	50°	15	1 560	1 650	3 060	3 910	48×1.75	
62	-13	80	0	56		2.0	16.8	50°		2 710	2 870	4 890	6 250	62×2	
75	0	100	-350	72	+460 0	2.0	21	50°	17	3 940	4 180	7 130	9 120	75×2.5	

LBE, LBD, LBB, LM, LME, LMB

IKO Linear Bushing : Metric series



Standard type : **LBD** Adjustable clearance type : **LBD...AJ** Open type : **LBD...OP**



Shaft diameter mm	Standard type	Model number								Fw	Tolerance μm	
		Ball circuits	Mass (Ref.) g	Adjustable clearance type	Ball circuits	Mass (Ref.) g	Open type	Ball circuits	Mass (Ref.) g		Pre- cision	High
6	LBD 6	3	5.1	LBD 6 AJ	3	5.0	—	—	—	6		
8	LBD 8S	3	8.3	LBD 8S AJ	3	8.1	—	—	—	8		
	LBD 8	3	11.8	LBD 8 AJ	3	11.5	—	—	—	8		
10	LBD 10	4	25.5	LBD 10 AJ	4	25	LBD 10 OP	3	20.5	10	0-6	0-9
13	LBD 13	4	41.5	LBD 13 AJ	4	40.5	LBD 13 OP	3	33	13		
16	LBD 16	4	58	LBD 16 AJ	4	57	LBD 16 OP	3	47	16		
20	LBD 20	5	80	LBD 20 AJ	5	79	LBD 20 OP	4	69	20		
25	LBD 25	5	160	LBD 25 AJ	5	158	LBD 25 OP	4	142	25	0-7	0-10
30	LBD 30	6	220	LBD 30 AJ	6	215	LBD 30 OP	5	196	30		
35	LBD 35	6	320	LBD 35 AJ	6	315	LBD 35 OP	5	280	35		
40	LBD 40	6	440	LBD 40 AJ	6	435	LBD 40 OP	5	390	40	0-8	0-12
50	LBD 50	6	1 390	LBD 50 AJ	6	1 380	LBD 50 OP	5	1 220	50		

Note(1) : When circlips are used for mounting, the dimension C₁ minus twice the width of circlip becomes the width of hub.
Remark : In the tolerance and eccentricity columns, "Precision" refers to precision class and "High" refers to high class.

Nominal dimensions and tolerances mm											Eccentricity		Basic dynamic load rating C		Basic static load rating C ₀	
D	Tolerance μm	C	Tolerance μm	C ₁ (¹)	Tolerance μm	C ₂	D ₁	h	E	α Degree	Max. μm		Load direction A N	Load direction B N	Load direction A N	Load direction B N
12		19		13.5		1.1	11.5	1.5	—	—	8	12	78.0	63.4	155	155
15	⁰ / ₋₁₁	17		11.5		1.1	14.3	1.5	—	—			74.7	60.7	128	128
15		24		17.5		1.1	14.3	1.5	—	—			121	98.6	255	255
19		29	⁰ / ₋₂₀₀	22	⁰ / ₋₂₀₀	1.3	18	1.5	7	80°	10	15	197	226	405	573
23	⁰ / ₋₁₃	32		23		1.3	22	1.5	9	80°			292	336	578	818
28		37		26.5		1.6	27	1.5	11	80°			426	489	766	1 080
32		42		30.5		1.6	30.5	2.0	11	60°			617	734	1 150	1 680
40	⁰ / ₋₁₆	59		41		1.85	38	2.0	12	50°	12	20	1 070	1 270	2 020	2 960
45		64		44.5		1.85	43	2.0	15	50°			1 460	1 540	2 780	3 560
52		70	⁰ / ₋₃₀₀	49.5	⁰ / ₋₃₀₀	2.1	49	2.0	17	50°			1 610	1 710	3 080	3 940
60	⁰ / ₋₁₉	80		60.5		2.1	57	2.0	20	50°	12	20	2 710	2 870	4 890	6 250
80		100		74		2.6	76.5	2.0	25	50°			3 940	4 180	7 130	9 120

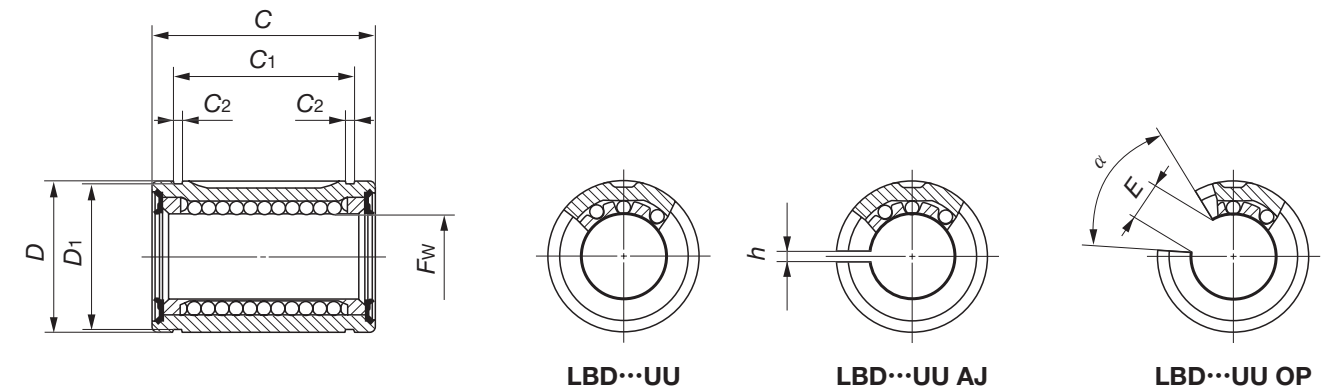
LBE, LBD, LBB, LM, LME, LMB



IKO Linear Bushing with Seals : Metric series



Standard type : LBD...UU Adjustable clearance type : LBD...UU AJ Open type : LBD...UU OP



Shaft diameter mm	Standard type	Model number								Fw	Tolerance μm	
		Ball circuits	Mass (Ref.) g	Adjustable clearance type	Ball circuits	Mass (Ref.) g	Open type	Ball circuits	Mass (Ref.) g		Pre- cision	High
6	LBD 6 UU	3	5.2	LBD 6 UU AJ	3	5.1	—	—	—	6		
8	LBD 8S UU	3	8.4	LBD 8S UU AJ	3	8.2	—	—	—	8		
	LBD 8 UU	3	11.8	LBD 8 UU AJ	3	11.6	—	—	—	8		
10	LBD 10 UU	4	25.5	LBD 10 UU AJ	4	25.5	LBD 10 UU OP	3	20.5	10	0-6	0-9
13	LBD 13 UU	4	41.5	LBD 13 UU AJ	4	40.5	LBD 13 UU OP	3	33.5	13		
16	LBD 16 UU	4	58	LBD 16 UU AJ	4	57	LBD 16 UU OP	3	47.5	16		
20	LBD 20 UU	5	80.5	LBD 20 UU AJ	5	79.5	LBD 20 UU OP	4	69.5	20		
25	LBD 25 UU	5	161	LBD 25 UU AJ	5	159	LBD 25 UU OP	4	143	25	0-7	0-10
30	LBD 30 UU	6	220	LBD 30 UU AJ	6	220	LBD 30 UU OP	5	197	30		
35	LBD 35 UU	6	320	LBD 35 UU AJ	6	320	LBD 35 UU OP	5	280	35		
40	LBD 40 UU	6	440	LBD 40 UU AJ	6	435	LBD 40 UU OP	5	390	40	0-8	0-12
50	LBD 50 UU	6	1 400	LBD 50 UU AJ	6	1 380	LBD 50 UU OP	5	1 220	50		

Note(1) : When circlips are used for mounting, the dimension C₁ minus twice the width of circlip becomes the width of hub.
Remark : In the tolerance and eccentricity columns, "Precision" refers to precision class and "High" refers to high class.

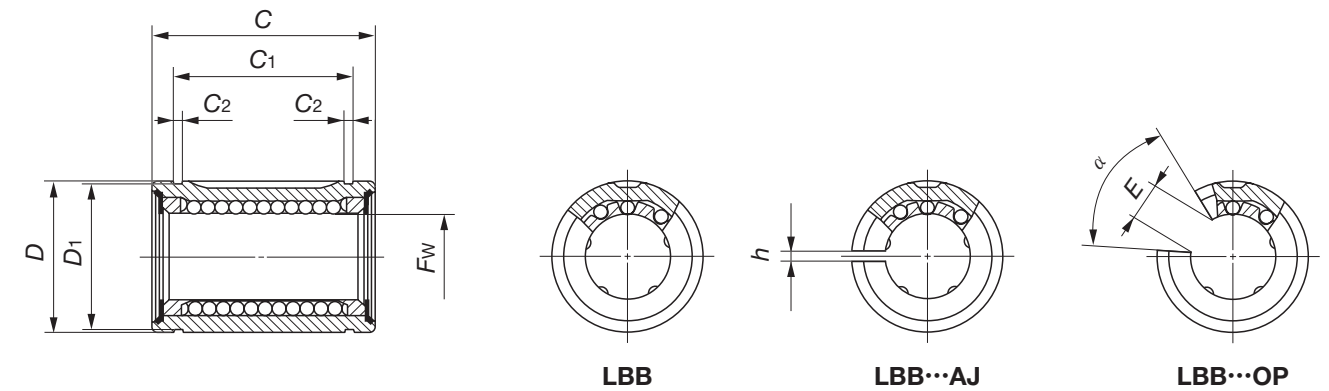
Nominal dimensions and tolerances mm											Eccentricity		Basic dynamic load rating C		Basic static load rating C ₀	
D	Tolerance μm	C	Tolerance μm	C ₁ (¹)	Tolerance μm	C ₂	D ₁	h	E	α Degree	Max. μm		Load direction A N	Load direction B N	Load direction A N	Load direction B N
12	0 -11	19	-200	13.5	-200	1.1	11.5	1.5	—	—	8	12	78.0	63.4	155	155
15		17		11.5		1.1	14.3	1.5	—	—			74.7	60.7	128	128
15		24		17.5		1.1	14.3	1.5	—	—			121	98.6	255	255
19	0 -13	29	-300	22	-300	1.3	18	1.5	7	80°	10	15	197	226	405	573
23		32		23		1.3	22	1.5	9	80°			292	336	578	818
28		37		26.5		1.6	27	1.5	11	80°			426	489	766	1 080
32		42		30.5		1.6	30.5	2.0	11	60°			617	734	1 150	1 680
40	0 -16	59	-300	41	-300	1.85	38	2.0	12	50°	12	20	1 070	1 270	2 020	2 960
45		64		44.5		1.85	43	2.0	15	50°			1 460	1 540	2 780	3 560
52	0 -19	70	-300	49.5	-300	2.1	49	2.0	17	50°	12	20	1 610	1 710	3 080	3 940
60		80		60.5		2.1	57	2.0	20	50°			2 710	2 870	4 890	6 250
80		100		74		2.6	76.5	2.0	25	50°			3 940	4 180	7 130	9 120



IKO Linear Bushing : Inch series



Standard type : **LBB** Adjustable clearance type : **LBB...AJ** Open type : **LBB...OP**



Shaft diameter mm (inch)	Standard type	Model number						Fw	Tolerance μm											
		Ball circuits	Mass (Ref.) g	Adjustable clearance type	Ball circuits	Mass (Ref.) g	Open type		Ball circuits	Mass (Ref.) g	Pre- cision	High								
6.350 (1/4)	LBB 4	3	7.1	—	—	—	—	—	—	—	—	—	—	—	—	—	—	—	—	—
9.525 (3/8)	LBB 6	4	10.3	—	—	—	—	—	—	—	—	—	—	—	—	—	—	—	—	—
12.700 (1/2)	LBB 8	4	32	LBB 8 AJ	4	31.5	LBB 8 OP	3	28	1/2 12.700	0	0	—	—	—	—	—	—	—	—
15.875 (5/8)	LBB 10	4	65	LBB 10 AJ	4	64	LBB 10 OP	3	54	5/8 15.875	—8	—13	—	—	—	—	—	—	—	—
19.050 (3/4)	LBB 12	5	79.5	LBB 12 AJ	5	78.5	LBB 12 OP	4	68.5	3/4 19.050	—	—	—	—	—	—	—	—	—	—
25.400 (1)	LBB 16	5	147	LBB 16 AJ	5	145	LBB 16 OP	4	127	1 25.400	—	—	—	—	—	—	—	—	—	—
31.750 (1 1/4)	LBB 20	6	325	LBB 20 AJ	6	320	LBB 20 OP	5	285	1 1/4 31.750	—	—	—	—	—	—	—	—	—	—
38.100 (1 1/2)	LBB 24	6	535	LBB 24 AJ	6	530	LBB 24 OP	5	470	1 1/2 38.100	—10	—15	—	—	—	—	—	—	—	—
50.800 (2)	LBB 32	6	1 040	LBB 32 AJ	6	1 030	LBB 32 OP	5	915	2 50.800	—	—20	—	—	—	—	—	—	—	—

Note(1) : When circlips are used for mounting, the dimension C₁ minus twice the width of circlip becomes the width of hub.
Remark : In the tolerance and eccentricity columns, "Precision" refers to precision class and "High" refers to high class.

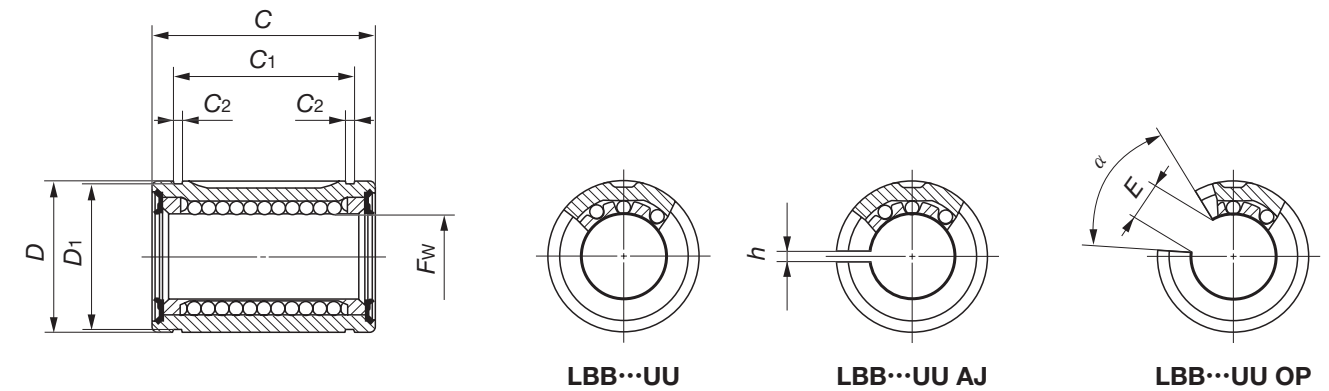
Nominal dimensions and tolerances mm											Eccen- tricity Max. μm		Basic dynamic load rating C		Basic static load rating C ₀	
D	Tolerance μm	C	Tolerance μm	C ₁ (1)	Tolerance μm	C ₂	D ₁	h	E	α Degree	Pre- cision	High	Load direction A N	Load direction B N	Load direction A N	Load direction B N
1/2 12.700	0	3/4 19.050	0	12.98	0	0.99	12.04	—	—	—	8	12	80.0	64.9	156	156
5/8 15.875	0	7/8 22.225	0	16.15	0	0.99	15.16	—	—	—	8	12	117	134	227	320
7/8 22.225	0	1 1/4 31.750	0	24.46	0	1.17	21.21	1/16 1.588	5/16 7.938	50°	8	13	290	333	577	816
1 1/8 28.575	-10	1 1/2 38.100	-381	28.04	-200	1.42	27.30	3/32 2.381	3/8 9.525	60°	9	14	424	488	766	1 080
1 1/4 31.750	0	1 5/8 41.275	0	29.61	0	1.42	30.33	3/32 2.381	7/16 11.112	60°	9	14	608	724	1 150	1 680
1 9/16 39.688	0	2 1/4 57.150	0	44.53	0	1.73	37.85	3/32 2.381	9/16 14.288	60°	10	15	1 070	1 280	2 020	2 960
2 50.800	0	2 5/8 66.675	0	50.92	0	1.73	48.51	3/32 2.381	5/8 15.875	50°	10	15	1 920	2 030	3 570	4 570
2 3/8 60.325	-13	3 76.200	-508	61.26	-300	2.18	57.53	1/8 3.175	3/4 19.050	50°	11	17	2 460	2 610	4 330	5 540
3 76.200	0	4 101.600	0	81.07	0	2.62	72.64	1/8 3.175	1 25.400	50°	11	17	3 960	4 190	7 140	9 130



IKO Linear Bushing with Seals : Inch series



Standard type : LBB...UU Adjustable clearance type : LBB...UU AJ Open type : LBB...UU OP



Shaft diameter mm (inch)	Standard type	Model number						Fw	Tolerance μm	
		Ball circuits	Mass (Ref.) g	Adjustable clearance type	Ball circuits	Mass (Ref.) g	Open type		Ball circuits	Mass (Ref.) g
6.350 (1/4)	LBB 4 UU	3	7.1	—	—	—	—	1/4 6.350		
9.525 (3/8)	LBB 6 UU	4	10.4	—	—	—	—	3/8 9.525		
12.700 (1/2)	LBB 8 UU	4	32	LBB 8 UU AJ	4	31.5	LBB 8 UU OP	1/2 12.700	0	0
15.875 (5/8)	LBB 10 UU	4	65	LBB 10 UU AJ	4	64	LBB 10 UU OP	5/8 15.875	-8	-13
19.050 (3/4)	LBB 12 UU	5	80	LBB 12 UU AJ	5	79	LBB 12 UU OP	3/4 19.050		
25.400 (1)	LBB 16 UU	5	148	LBB 16 UU AJ	5	145	LBB 16 UU OP	1 25.400		
31.750 (1 1/4)	LBB 20 UU	6	325	LBB 20 UU AJ	6	320	LBB 20 UU OP	1 1/4 31.750		0
38.100 (1 1/2)	LBB 24 UU	6	535	LBB 24 UU AJ	6	530	LBB 24 UU OP	1 1/2 38.100	-10	-15
50.800 (2)	LBB 32 UU	6	1 040	LBB 32 UU AJ	6	1 030	LBB 32 UU OP	2 50.800		0

Note(1) : When circlips are used for mounting, the dimension C₁ minus twice the width of circlip becomes the width of hub.
Remark : In the tolerance and eccentricity columns, "Precision" refers to precision class and "High" refers to high class.

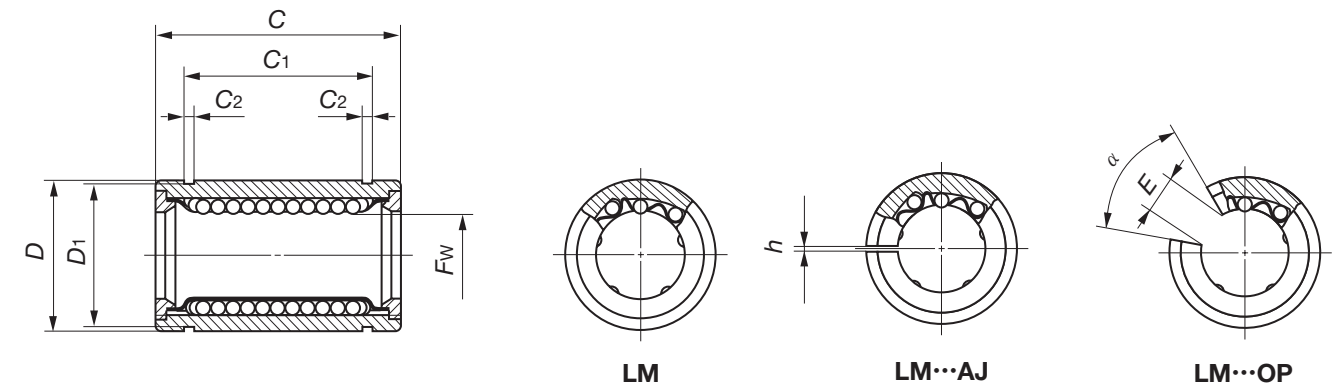
Nominal dimensions and tolerances mm											Eccen- tricity Max. μm		Basic dynamic load rating C		Basic static load rating C ₀	
D	Tolerance μm	C	Tolerance μm	C ₁ (1)	Tolerance μm	C ₂	D ₁	h	E	α Degree	Pre- cision	High	Load direction A N	Load direction B N	Load direction A N	Load direction B N
1/2 12.700		3/4 19.050		12.98		0.99	12.04	—	—	—		12	80.0	64.9	156	156
5/8 15.875		7/8 22.225		16.15		0.99	15.16	—	—	—		12	117	134	227	320
7/8 22.225	0	1 1/4 31.750	0	24.46	0	1.17	21.21	1/16 1.588	5/16 7.938	50°		13	290	333	577	816
1 1/8 28.575	-10	1 1/2 38.100	-381	28.04	-200	1.42	27.30	3/32 2.381	3/8 9.525	60°		13	424	488	766	1 080
1 1/4 31.750		1 5/8 41.275		29.61		1.42	30.33	3/32 2.381	7/16 11.112	60°		14	608	724	1 150	1 680
1 9/16 39.688		2 1/4 57.150		44.53		1.73	37.85	3/32 2.381	9/16 14.288	60°		15	1 070	1 280	2 020	2 960
2 50.800	0	2 5/8 66.675		50.92		1.73	48.51	3/32 2.381	5/8 15.875	50°		15	1 920	2 030	3 570	4 570
2 3/8 60.325	-13	3 76.200	0	61.26	-300	2.18	57.53	1/8 3.175	3/4 19.050	50°		17	2 460	2 610	4 330	5 540
3 76.200	0	4 101.600		81.07		2.62	72.64	1/8 3.175	1 25.400	50°		17	3 960	4 190	7 140	9 130



IKO Linear Bushing : Metric series



Standard type : LM LM...N (Synthetic resin retainer)	Adjustable clearance type : LM... AJ LM...N AJ (Synthetic resin retainer)	Open type : LM... OP LM...N OP (Synthetic resin retainer)
---	--	--



Shaft diameter mm	Model number								
	Standard type	Ball circuits	Mass (Ref.) g	Adjustable clearance type	Ball circuits	Mass (Ref.) g	Open type	Ball circuits	Mass (Ref.) g
6	LM 61219	4	8.5	—	—	—	—	—	—
	LM 61219N	4	7.6	LM 61219N AJ	4	7.5	—	—	—
8	LM 81517	4	11	—	—	—	—	—	—
	LM 81517N	4	10.4	LM 81517N AJ	4	10	—	—	—
	LM 81524	4	17	—	—	—	—	—	—
	LM 81524N	4	15	LM 81524N AJ	4	14.7	—	—	—
10	LM 101929	4	36	—	—	—	—	—	—
	LM 101929N	4	29.5	LM 101929N AJ	4	29	LM 101929N OP	3	23
12	LM 122130	4	42	LM 122130 AJ	4	41	LM 122130 OP	3	32
	LM 122130N	4	31.5	LM 122130N AJ	4	31	LM 122130N OP	3	25
13	LM 132332	4	49	LM 132332 AJ	4	48	LM 132332 OP	3	37.5
	LM 132332N	4	43	LM 132332N AJ	4	42	LM 132332N OP	3	34
16	LM 162837	4	78	LM 162837 AJ	4	77	LM 162837 OP	3	60
	LM 162837N	4	69.5	LM 162837N AJ	4	68	LM 162837N OP	3	52
20	LM 203242	5	100	LM 203242 AJ	5	98	LM 203242 OP	4	85
	LM 203242N	5	98	LM 203242N AJ	5	95	LM 203242N OP	4	69
25	LM 254059	6	260	LM 254059 AJ	6	255	LM 254059 OP	5	220
	LM 254059N	6	220	LM 254059N AJ	6	216	LM 254059N OP	5	188
30	LM 304564	6	290	LM 304564 AJ	6	285	LM 304564 OP	5	245
	LM 304564N	6	250	LM 304564N AJ	6	245	LM 304564N OP	5	210
35	LM 355270	6	425	LM 355270 AJ	6	420	LM 355270 OP	5	355
	LM 355270N	6	390	LM 355270N AJ	6	384	LM 355270N OP	5	335
40	LM 406080	6	675	LM 406080 AJ	6	665	LM 406080 OP	5	575
	LM 406080N	6	585	LM 406080N AJ	6	579	LM 406080N OP	5	500
50	LM 5080100	6	1 740	LM 5080100 AJ	6	1 720	LM 5080100 OP	5	1 480
	LM 5080100N	6	1 580	LM 5080100N AJ	6	1 560	LM 5080100N OP	5	1 340

Note(*): When circlips are used for mounting, the dimension C₁ minus twice the width of circlip becomes the width of hub.
 Remark 1 : In the tolerance and eccentricity columns, "Precision" refers to precision class and "High" refers to high class.
 2 : The end plate for the standard type and the adjustable clearance type with a shaft diameter of 40 mm or less is fixed using a stop ring for hole.

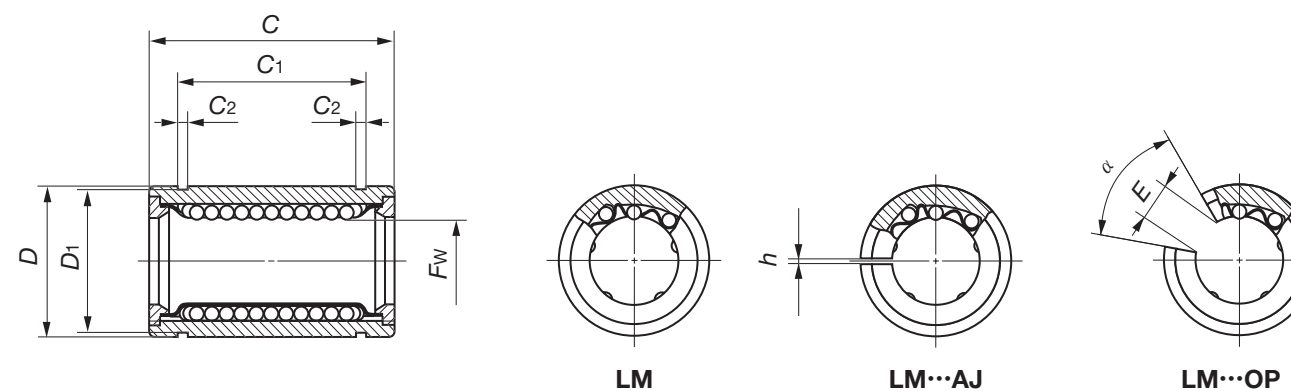
Nominal dimensions and tolerances mm														Eccentricity		Basic dynamic load rating		Basic static load rating				
F _w	Tolerance μm		D	Tolerance μm	C	Tolerance μm	C ₁ (*)	Tolerance μm	C ₂	D ₁	h	E	α Degree	Max. μm	Pre-precision	High	C	Load direction A N	Load direction B N	C ₀	Load direction A N	Load direction B N
	Pre-precision	High																				
6			12		19		13.5		1.1	11.5	1	—	—					80.7	92.7	167	237	
8			15	0 -11	17		11.5		1.1	14.3	1	—	—					87.4	100	160	226	
8			15		24		17.5		1.1	14.3	1	—	—					121	139	255	361	
10	0 -6	0 -9	19		29	0 -200	22	0	1.3	18	1	—	—	8	12			179	206	354	501	
12			21	0	30		23	-200	1.3	20	1.5	8	80					259	298	503	711	
13			23	-13	32		23		1.3	22	1.5	9	80					266	306	506	716	
16			28		37		26.5		1.6	27	1.5	11	80					426	489	766	1 080	
20			32		42		30.5		1.6	30.5	1.5	11	60					562	668	1 010	1 470	
25	0 -7	0 -10	40	0 -16	59		41		1.85	38	2	12	50	10	15			920	974	1 780	2 280	
30			45		64		44.5		1.85	43	2.5	15	50					1 350	1 430	2 500	3 200	
35			52	0 -300	70		49.5	0 -300	2.1	49	2.5	17	50					1 610	1 710	3 080	3 940	
40	0 -8	0 -12	60	0 -19	80		60.5		2.1	57	3	20	50	12	20			2 030	2 150	3 620	4 640	
50			80		100		74		2.6	76.5	3	25	50					3 940	4 180	7 130	9 120	

LBE, LBD, LBB, LM, LME, LMB

IKO Linear Bushing : Metric series



Standard type : LM LM...N (Synthetic resin retainer)	Adjustable clearance type : LM... AJ LM...N AJ (Synthetic resin retainer)	Open type : LM... OP LM...N OP (Synthetic resin retainer)
---	--	--



Shaft diameter mm	Model number								
	Standard type	Ball circuits	Mass (Ref.) g	Adjustable clearance type	Ball circuits	Mass (Ref.) g	Open type	Ball circuits	Mass (Ref.) g
60	LM 6090110	6	2 000	LM 6090110 AJ	6	1 980	LM 6090110 OP	5	1 700
	LM 6090110N	6	1 860	LM 6090110N AJ	6	1 820	LM 6090110N OP	5	1 610
80	LM 80120140	6	4 480	LM 80120140 AJ	6	4 440	LM 80120140 OP	5	3 810
100	LM 100150175	6	9 620	LM 100150175 AJ	6	9 540	LM 100150175 OP	5	8 180
120	LM 120180200	8	15 000	LM 120180200 AJ	8	14 900	LM 120180200 OP	6	11 600
150	LM 150210240	8	20 300	LM 150210240 AJ	8	20 200	LM 150210240 OP	6	15 700

Note(1) : When circlips are used for mounting, the dimension C₁ minus twice the width of circlip becomes the width of hub.
 Remark : In the tolerance and eccentricity columns, "Precision" refers to precision class and "High" refers to high class.

Nominal dimensions and tolerances mm													Eccentricity		Basic dynamic load rating		Basic static load rating		
F _w	Tolerance μm		D	Tolerance μm	C	Tolerance μm	C ₁ (¹)	Tolerance μm	C ₂	D ₁	h	E	α Degree	Max. μm	C		C ₀		
	Pre-precision	High													Pre-precision	High	Load direction A	Load direction B	Load direction A
60	0	0	90	0	110	-300	85	0	3.15	86.5	3	30	50	17	25	4 760	5 040	8 150	10 400
80	-9	-15	120	-22	140		105.5		4.15	116	3	40	50			8 710	9 220	14 500	18 500
100	0	0	150	0	175	0	125.5	0	4.15	145	3	50	50	20	30	14 500	15 300	22 800	29 200
120	-10	-20	180	-25	200	-400	158.6	-400	4.15	175	4	85	80			25 800	25 500	44 300	49 400
150	0	0	210	0	240		170.6		5.15	204	4	105	80	25	40	35 600	35 100	61 200	68 200

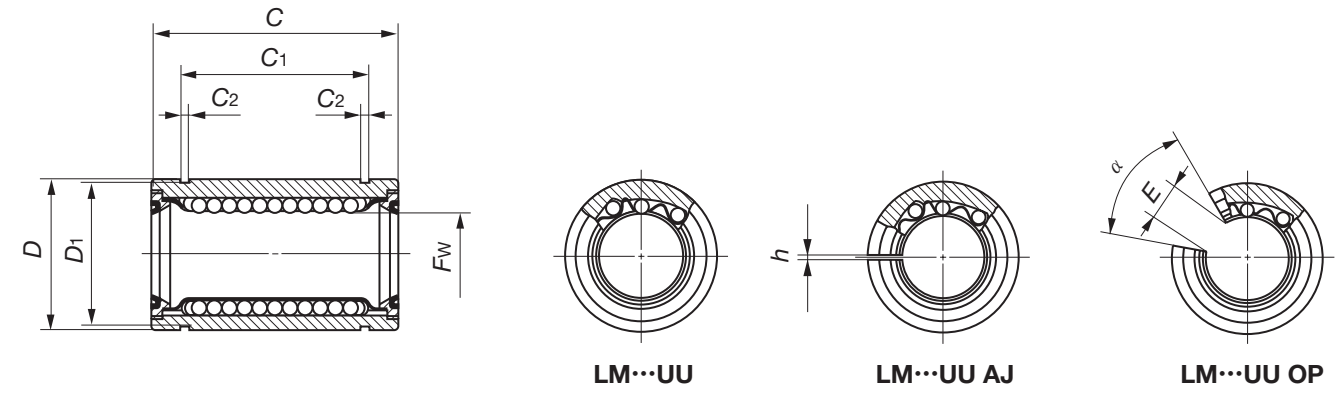
LBE, LBD, LBB, LM, LME, LMB



IKO Linear Bushing with Seals : Metric series



Standard type : LM... UU LM...N UU (Synthetic resin retainer)	Adjustable clearance type : LM... UU AJ LM...N UU AJ (Synthetic resin retainer)	Open type : LM... UU OP LM...N UU OP (Synthetic resin retainer)
--	--	--



Shaft diameter mm	Model number											
	Standard type		Ball circuits	Mass (Ref.) g	Adjustable clearance type		Ball circuits	Mass (Ref.) g	Open type		Ball circuits	Mass (Ref.) g
6	LM 61219 UU	4			8.5	—			—	—		
	LM 61219N UU	4	7.6	LM 61219N UU AJ	4	7.5	—	—	—	—	—	—
8	LM 81517 UU	4	11	—	—	—	—	—	—	—	—	—
	LM 81517N UU	4	10.4	LM 81517N UU AJ	4	10	—	—	—	—	—	—
	LM 81524 UU	4	17	—	—	—	—	—	—	—	—	—
	LM 81524N UU	4	15	LM 81524N UU AJ	4	14.7	—	—	—	—	—	—
10	LM 101929 UU	4	31	—	—	—	—	—	—	—	—	—
	LM 101929N UU	4	29.5	LM 101929N UU AJ	4	29	LM 101929N UU OP	3	23	—	—	—
12	LM 122130 UU	4	41	LM 122130 UU AJ	4	40	LM 122130 UU OP	3	31	—	—	—
	LM 122130N UU	4	31.5	LM 122130N UU AJ	4	31	LM 122130N UU OP	3	25	—	—	—
13	LM 132332 UU	4	49	LM 132332 UU AJ	4	48	LM 132332 UU OP	3	37.5	—	—	—
	LM 132332N UU	4	43	LM 132332N UU AJ	4	42	LM 132332N UU OP	3	34	—	—	—
16	LM 162837 UU	4	78	LM 162837 UU AJ	4	77	LM 162837 UU OP	3	60	—	—	—
	LM 162837N UU	4	69.5	LM 162837N UU AJ	4	68	LM 162837N UU OP	3	52	—	—	—
20	LM 203242 UU	5	100	LM 203242 UU AJ	5	98	LM 203242 UU OP	4	85	—	—	—
	LM 203242N UU	5	98	LM 203242N UU AJ	5	95	LM 203242N UU OP	4	69	—	—	—
25	LM 254059 UU	6	260	LM 254059 UU AJ	6	255	LM 254059 UU OP	5	220	—	—	—
	LM 254059N UU	6	220	LM 254059N UU AJ	6	216	LM 254059N UU OP	5	188	—	—	—
30	LM 304564 UU	6	290	LM 304564 UU AJ	6	285	LM 304564 UU OP	5	245	—	—	—
	LM 304564N UU	6	250	LM 304564N UU AJ	6	245	LM 304564N UU OP	5	210	—	—	—
35	LM 355270 UU	6	410	LM 355270 UU AJ	6	405	LM 355270 UU OP	5	346	—	—	—
	LM 355270N UU	6	390	LM 355270N UU AJ	6	384	LM 355270N UU OP	5	335	—	—	—
40	LM 406080 UU	6	675	LM 406080 UU AJ	6	665	LM 406080 UU OP	5	575	—	—	—
	LM 406080N UU	6	585	LM 406080N UU AJ	6	579	LM 406080N UU OP	5	500	—	—	—
50	LM 5080100 UU	6	1 740	LM 5080100 UU AJ	6	1 720	LM 5080100 UU OP	5	1 480	—	—	—
	LM 5080100N UU	6	1 580	LM 5080100N UU AJ	6	1 560	LM 5080100N UU OP	5	1 340	—	—	—

Note(*) : When circlips are used for mounting, the dimension C₁ minus twice the width of circlip becomes the width of hub.
 Remark 1 : In the tolerance and eccentricity columns, "Precision" refers to precision class and "High" refers to high class.
 2 : The end plate for the standard type and the adjustable clearance type with a shaft diameter of 40mm or less is fixed using a stop ring for hole.

Nominal dimensions and tolerances mm														Eccentricity Max. μm	Basic dynamic load rating C		Basic static load rating C ₀	
F _w	Tolerance μm Precision	High	D	Tolerance μm	C	Tolerance μm	C ₁ (¹)	Tolerance μm	C ₂	D ₁	h	E	α Degree		Load direction A N	Load direction B N	Load direction A N	Load direction B N
6			12		19		13.5		1.1	11.5	—	—	—	80.7	92.7	167	237	
8			15	0 -11	17		11.5		1.1	14.3	—	—	—	87.4	100	160	226	
8			15		24		17.5		1.1	14.3	—	—	—	121	139	255	361	
10	0 -6	0 -9	19		29	0 -200	22	0 -200	1.3	18	—	—	—	179	206	354	501	
12			21	0	30		23		1.3	20	1.5	8	80	259	298	503	711	
13			23	0 -13	32		23		1.3	22	1.5	9	80	266	306	506	716	
16			28		37		26.5		1.6	27	1.5	11	80	426	489	766	1 080	
20			32		42		30.5		1.6	30.5	1.5	11	60	562	668	1 010	1 470	
25	0 -7	0 -10	40	0 -16	59		41		1.85	38	2	12	50	920	974	1 780	2 280	
30			45		64		44.5		1.85	43	2.5	15	50	1 350	1 430	2 500	3 200	
35			52	0 -300	70	0 -300	49.5	0 -300	2.1	49	2.5	17	50	1 610	1 710	3 080	3 940	
40	0 -8	0 -12	60	0 -19	80		60.5		2.1	57	3	20	50	2 030	2 150	3 620	4 640	
50			80		100		74		2.6	76.5	3	25	50	3 940	4 180	7 130	9 120	

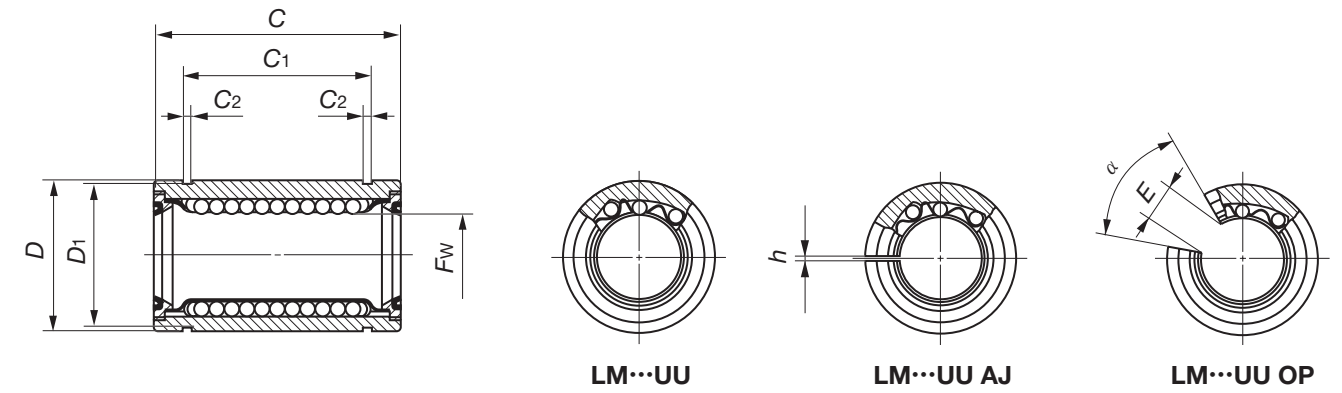
LBE, LBD, LBB, LM, LME, LMB



IKO Linear Bushing with Seals : Metric series



Standard type : LM... UU LM...N UU (Synthetic resin retainer)	Adjustable clearance type : LM... UU AJ LM...N UU AJ (Synthetic resin retainer)	Open type : LM... UU OP LM...N UU OP (Synthetic resin retainer)
--	--	--



Shaft diameter mm	Model number											
	Standard type		Ball circuits	Mass (Ref.) g	Adjustable clearance type		Ball circuits	Mass (Ref.) g	Open type		Ball circuits	Mass (Ref.) g
60	LM 6090110	UU	6	2 000	LM 6090110	UU AJ	6	1 980	LM 6090110	UU OP	5	1 700
	LM 6090110N	UU	6	1 860	LM 6090110N	UU AJ	6	1 820	LM 6090110N	UU OP	5	1 610
80	LM 80120140	UU	6	4 480	LM 80120140	UU AJ	6	4 440	LM 80120140	UU OP	5	3 810
100	LM 100150175	UU	6	9 620	LM 100150175	UU AJ	6	9 540	LM 100150175	UU OP	5	8 180
120	LM 120180200	UU	8	14 700	LM 120180200	UU AJ	8	14 600	LM 120180200	UU OP	6	11 400
150	LM 150210240	UU	8	19 900	LM 150210240	UU AJ	8	19 800	LM 150210240	UU OP	6	15 400

Note(1) : When circlips are used for mounting, the dimension C1 minus twice the width of circlip becomes the width of hub.
Remark : In the tolerance and eccentricity columns, "Precision" refers to precision class and "High" refers to high class.

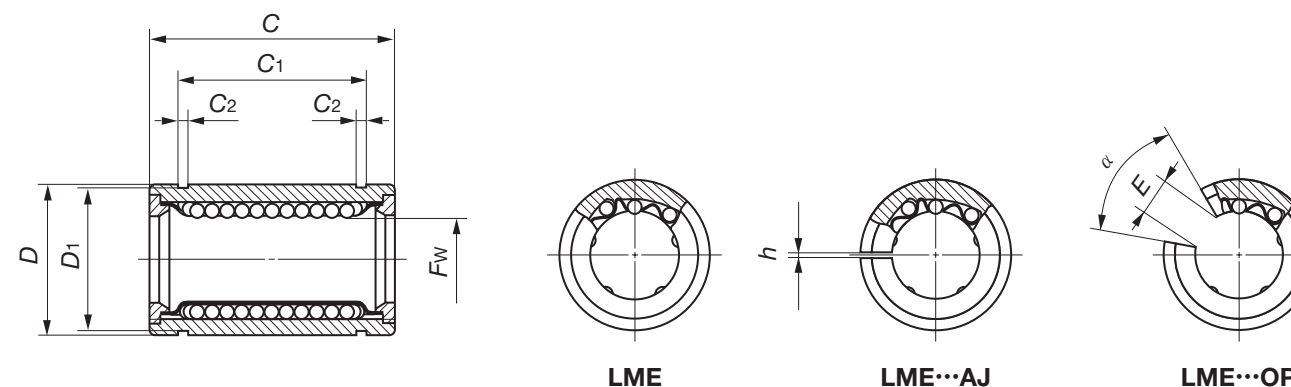
Nominal dimensions and tolerances mm														Eccentricity		Basic dynamic load rating		Basic static load rating	
Fw	Tolerance μm		D	Tolerance μm	C	Tolerance μm		C2	D1	h	E	α Degree	Max. μm		Load direction A	Load direction B	Load direction A	Load direction B	
	Pre-precision	High				Pre-precision	High						Pre-precision	High					Pre-precision
60	0	0	90	0	110	0	85	-300	3.15	86.5	3	30	50	17	25	4 760	5 040	8 150	10 400
80	-9	-15	120	-22	140	105.5	0	-300	4.15	116	3	40	50	17	25	8 710	9 220	14 500	18 500
100	0	0	150	0	175	0	125.5	0	4.15	145	3	50	50	20	30	14 500	15 300	22 800	29 200
120	-10	-20	180	-25	200	-400	158.6	-400	4.15	175	4	85	80	20	30	25 800	25 500	44 300	49 400
150	0	0	210	0	240	170.6	0	-400	5.15	204	4	105	80	25	40	35 600	35 100	61 200	68 200



IKO Linear Bushing : Metric series



Standard type : LME LME...N (Synthetic resin retainer)	Adjustable clearance type : LME... AJ LME...N AJ (Synthetic resin retainer)	Open type : LME... OP LME...N OP (Synthetic resin retainer)
---	--	--



Shaft diameter mm	Model number											
	Standard type		Ball circuits	Mass (Ref.) g	Adjustable clearance type		Ball circuits	Mass (Ref.) g	Open type		Ball circuits	Mass (Ref.) g
5	LME	51222N	4	10	LME	51222N AJ	4	9.5	—		—	—
8	LME	81625	4	22.5	—		—	—	—		—	—
	LME	81625N	4	20	LME	81625N AJ	4	19	—		—	—
12	LME	122232	4	45.5	LME	122232 AJ	4	44.5	LME	122232 OP	3	35
	LME	122232N	4	41	LME	122232N AJ	4	40	LME	122232N OP	3	32
16	LME	162636	4	59	LME	162636 AJ	4	58	LME	162636 OP	3	45
	LME	162636N	4	56.5	LME	162636N AJ	4	54.5	LME	162636N OP	3	44
20	LME	203245	5	105	LME	203245 AJ	5	100	LME	203245 OP	4	84
	LME	203245N	5	92	LME	203245N AJ	5	90	LME	203245N OP	4	75
25	LME	254058	6	240	LME	254058 AJ	6	235	LME	254058 OP	5	200
	LME	254058N	6	220	LME	254058N AJ	6	215	LME	254058N OP	5	181
30	LME	304768	6	360	LME	304768 AJ	6	355	LME	304768 OP	5	300
	LME	304768N	6	325	LME	304768N AJ	6	320	LME	304768N OP	5	272
40	LME	406280	6	800	LME	406280 AJ	6	790	LME	406280 OP	5	670
	LME	406280N	6	705	LME	406280N AJ	6	694	LME	406280N OP	5	600
50	LME	5075100	6	1 260	LME	5075100 AJ	6	1 250	LME	5075100 OP	5	1 060
	LME	5075100N	6	1 130	LME	5075100N AJ	6	1 110	LME	5075100N OP	5	970
60	LME	6090125	6	2 270	LME	6090125 AJ	6	2 240	LME	6090125 OP	5	1 900
	LME	6090125N	6	1 860	LME	6090125N AJ	6	1 820	LME	6090125N OP	5	1 610
80	LME	80120165	6	5 140	LME	80120165 AJ	6	5 100	LME	80120165 OP	5	4 350

Note(1) : When circlips are used for mounting, the dimension C₁ minus twice the width of circlip becomes the width of hub.

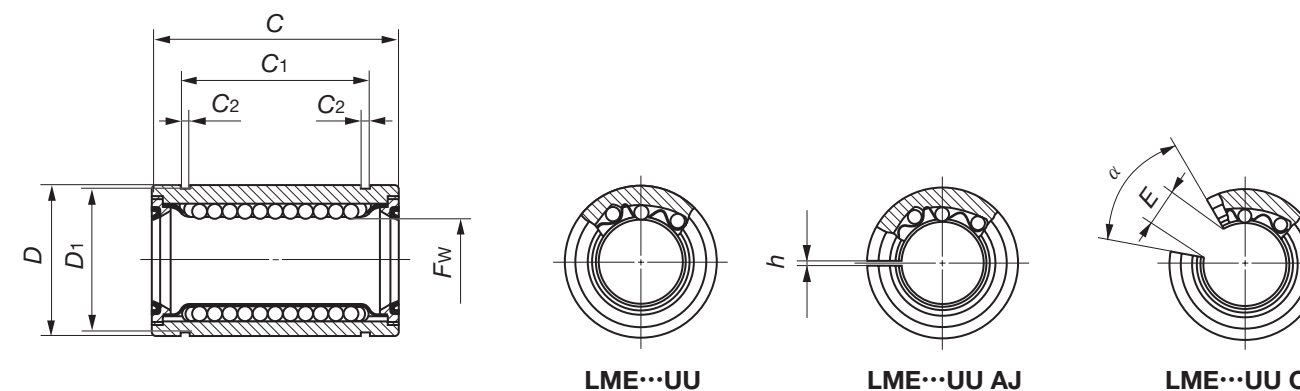
Nominal dimensions and tolerances mm													Eccentricity Max. μm	Basic dynamic load rating C		Basic static load rating C ₀	
F _w	Tolerance μm	D	Tolerance μm	C	Tolerance μm	C ₁ (¹)	Tolerance μm	C ₂	D ₁	h	E	α Degree		Load direction A N	Load direction B N	Load direction A N	Load direction B N
5		12	0	22		14.5		1.1	11.5	1	—	—	12	90.8	104	219	310
8	+8 0	16	-8	25		16.5		1.1	15.2	1	—	—		121	139	255	361
12		22	0	32	0 -200	22.9	0 -200	1.3	21	1.5	7.5	78	259	298	503	711	
16	+9 -1	26	-9	36		24.9		1.3	24.9	1.5	10	78	283	325	514	726	
20		32		45		31.5		1.6	30.3	2	10	60	562	668	1 010	1 470	
25	+11 -1	40	0 -11	58		44.1		1.85	37.5	2	12.5	60	15	920	974	1 780	2 280
30		47		68	0 -300	52.1	0 -300	1.85	44.5	2	12.5	50		1 350	1 430	2 500	3 200
40		62	0	80		60.6		2.15	59	3	16.8	50	17	2 030	2 150	3 620	4 640
50	+13 -2	75	-13	100		77.6		2.65	72	3	21	50		3 940	4 180	7 130	9 120
60		90	0	125	0 -400	101.7	0 -400	3.15	86.5	3	27.2	54	20	4 760	5 040	8 150	10 400
80	+16 -4	120	-15	165		133.7		4.15	116	3	36.3	54		8 710	9 220	14 500	18 500



IKO Linear Bushing with Seals : Metric series



Standard type : LME... UU LME...N UU (Synthetic resin retainer)	Adjustable clearance type : LME... UU AJ LME...N UU AJ (Synthetic resin retainer)	Open type : LME... UU OP LME...N UU OP (Synthetic resin retainer)
--	--	--



Shaft diameter mm	Model number											
	Standard type		Ball circuits	Mass (Ref.) g	Adjustable clearance type		Ball circuits	Mass (Ref.) g	Open type		Ball circuits	Mass (Ref.) g
5	LME	51222N UU	4	10	LME	51222N UU AJ	4	9.5	—		—	—
8	LME	81625 UU	4	22	—		—	—	—		—	—
	LME	81625N UU	4	20	LME	81625N UU AJ	4	19	—		—	—
12	LME	122232 UU	4	45.5	LME	122232 UU AJ	4	44.5	LME	122232 UU OP	3	35
	LME	122232N UU	4	41	LME	122232N UU AJ	4	40	LME	122232N UU OP	3	32
16	LME	162636 UU	4	59	LME	162636 UU AJ	4	58	LME	162636 UU OP	3	45
	LME	162636N UU	4	56.5	LME	162636N UU AJ	4	54.5	LME	162636N UU OP	3	44
20	LME	203245 UU	5	105	LME	203245 UU AJ	5	100	LME	203245 UU OP	4	84
	LME	203245N UU	5	92	LME	203245N UU AJ	5	90	LME	203245N UU OP	4	75
25	LME	254058 UU	6	240	LME	254058 UU AJ	6	235	LME	254058 UU OP	5	200
	*LME	254058N UU	6	220	*LME	254058N UU AJ	6	215	*LME	254058N UU OP	5	181
30	LME	304768 UU	6	360	LME	304768 UU AJ	6	355	LME	304768 UU OP	5	300
	LME	304768N UU	6	325	LME	304768N UU AJ	6	320	LME	304768N UU OP	5	272
40	LME	406280 UU	6	800	LME	406280 UU AJ	6	790	LME	406280 UU OP	5	670
	LME	406280N UU	6	705	LME	406280N UU AJ	6	694	LME	406280N UU OP	5	600
50	LME	5075100 UU	6	1 260	LME	5075100 UU AJ	6	1 250	LME	5075100 UU OP	5	1 060
	LME	5075100N UU	6	1 130	LME	5075100N UU AJ	6	1 110	LME	5075100N UU OP	5	970
60	LME	6090125 UU	6	2 270	LME	6090125 UU AJ	6	2 240	LME	6090125 UU OP	5	1 900
	LME	6090125N UU	6	2 050	LME	6090125N UU AJ	6	2 000	LME	6090125N UU OP	5	1 580
80	LME	80120165 UU	6	5 140	LME	80120165 UU AJ	6	5 100	LME	80120165 UU OP	5	4 350

Note(1) : When circlips are used for mounting, the dimension C₁ minus twice the width of circlip becomes the width of hub.
 Remark : Seals of the Linear Bushings marked with an asterisk (*) protrude a little from the end face of external cylinder.

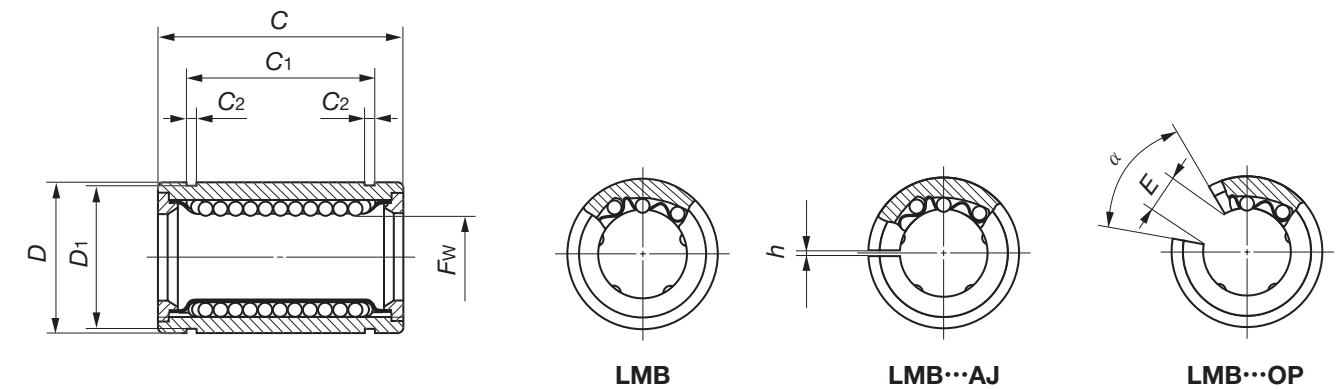
Nominal dimensions and tolerances mm													Eccentricity Max. μm	Basic dynamic load rating C		Basic static load rating C ₀	
F _w	Tolerance μm	D	Tolerance μm	C	Tolerance μm	C ₁ (¹)	Tolerance μm	C ₂	D ₁	h	E	α Degree		Load direction A N	Load direction B N	Load direction A N	Load direction B N
5		12	0	22		14.5		1.1	11.5	1	—	—	90.8	104	219	310	
8	+8 0	16	-8	25	0 -200	16.5	0 -200	1.1	15.2	—	—	—	121	139	255	361	
		22	0	32		22.9		1.3	21	1.5	7.5	78	259	298	503	711	
16	+9 -1	26	-9	36	0 -200	24.9	0 -200	1.3	24.9	1.5	10	78	283	325	514	726	
		32	0	45		31.5		1.6	30.3	2	10	60	562	668	1 010	1 470	
25	+11 -1	40	-11	58	0 -300	44.1	0 -300	1.85	37.5	2	12.5	60	920	974	1 780	2 280	
		47	0	68		52.1		1.85	44.5	2	12.5	50	1 350	1 430	2 500	3 200	
40	+13 -2	62	-13	80	0 -400	60.6	0 -400	2.15	59	3	16.8	50	2 030	2 150	3 620	4 640	
		75	0	100		77.6		2.65	72	3	21	50	3 940	4 180	7 130	9 120	
60	+16 -4	90	-15	125	0 -400	101.7	0 -400	3.15	86.5	3	27.2	54	4 760	5 040	8 150	10 400	
		120	0	165		133.7		4.15	116	3	36.3	54	8 710	9 220	14 500	18 500	



IKO Linear Bushing : Inch series



Standard type : LMB LMB...N (Synthetic resin retainer)	Adjustable clearance type : LMB... AJ LMB...N AJ (Synthetic resin retainer)	Open type : LMB... OP LMB...N OP (Synthetic resin retainer)
---	--	--



Shaft diameter mm (inch)	Model number								
	Standard type	Ball circuits	Mass (Ref.) g	Adjustable clearance type	Ball circuits	Mass (Ref.) g	Open type	Ball circuits	Mass (Ref.) g
6.350 (1/4)	LMB 4812	3	9.1	—	—	—	—	—	—
	LMB 4812N	4	8.5	LMB 4812N AJ	4	8.0	—	—	—
9.525 (3/8)	LMB 61014	4	27.5	—	—	—	—	—	—
	LMB 61014N	4	12.5	LMB 61014N AJ	4	12	—	—	—
12.700 (1/2)	LMB 81420	4	44	LMB 81420 AJ	4	43	LMB 81420 OP	3	33.5
	LMB 81420N	4	40	LMB 81420N AJ	4	38	LMB 81420N OP	3	28
15.875 (5/8)	LMB 101824	4	85	LMB 101824 AJ	4	83	LMB 101824 OP	3	64
	LMB 101824N	4	76	LMB 101824N AJ	4	74	LMB 101824N OP	3	57
19.050 (3/4)	LMB 122026	5	98	LMB 122026 AJ	5	96	LMB 122026 OP	4	81
	LMB 122026N	5	95	LMB 122026N AJ	5	93	LMB 122026N OP	4	76
25.400 (1)	LMB 162536	6	220	LMB 162536 AJ	6	218	LMB 162536 OP	5	190
	LMB 162536N	6	200	LMB 162536N AJ	6	198	LMB 162536N OP	5	170
31.750 (1 1/4)	LMB 203242	6	490	LMB 203242 AJ	6	485	LMB 203242 OP	5	415
	LMB 203242N	6	440	LMB 203242N AJ	6	430	LMB 203242N OP	5	370
38.100 (1 1/2)	LMB 243848	6	730	LMB 243848 AJ	6	720	LMB 243848 OP	5	620
	LMB 243848N	6	670	LMB 243848N AJ	6	660	LMB 243848N OP	5	570
50.800 (2)	LMB 324864	6	1 530	LMB 324864 AJ	6	1 510	LMB 324864 OP	5	1 300
	LMB 324864N	6	1 140	LMB 324864N AJ	6	1 120	LMB 324864N OP	5	980
63.500 (2 1/2)	LMB 406080	6	2 400	LMB 406080 AJ	6	2 380	LMB 406080 OP	5	2 040
76.200 (3)	LMB 487296	6	4 400	LMB 487296 AJ	6	4 360	LMB 487296 OP	5	3 740
101.600 (4)	LMB 6496128	6	11 000	LMB 6496128 AJ	6	10 900	LMB 6496128 OP	5	9 350

Note(1) : When circlips are used for mounting, the dimension C₁ minus twice the width of circlip becomes the width of hub.
 (2) : The load rating for three rows of ball circuits is shown as a representative value.
 Remark : In the tolerance and eccentricity columns, "Precision" refers to precision class and "High" refers to high class.

F _w	Nominal dimensions and tolerances mm													Eccentricity		Basic dynamic load rating		Basic static load rating	
	Tolerance μm		D	Tolerance μm		C	Tolerance μm		D ₁	h	E	α De-gree	Max. μm	C		C ₀			
	Pre-precision	High		Pre-precision	High		Pre-precision	High						Pre-precision	High	Load direction A N	Load direction B N	Load direction A N	Load direction B N
1/4			1/2	0	3/4									(2)	(2)	(2)	(2)		
6.350			12.700	-11	19.050			12.98		0.992	11.906			82.6	67.0	168	168		
3/8			5/8		7/8			16.15		0.992	14.935			94.8	109	174	246		
	9.525	0	0	15.875		22.225			1										
1/2		-6	-9	7/8	0	1 1/4	0	24.46		1.168	20.853	1.5	8.7	80	264	303	505	714	
	12.700			22.225	-13	31.750	-200												
5/8			1 1/8		1 1/2			28.04		1.422	26.899	1.5	9.5	80	424	488	766	1 080	
	15.875			28.575		38.100													
3/4			1 1/4	0	1 5/8			29.61		1.422	29.870	1.5	10.7	60	554	659	1 000	1 470	
	19.050	0	0	31.750	0	41.275													
1		-7	-10	1 9/16	-16	2 1/4		44.53		1.727	37.306	1.5	11.8	50	923	978	1 780	2 280	
	25.400			39.688		57.150													
1 1/4			2	0	2 5/8			50.92		1.727	47.904	2.5	14.7	50	1 370	1 450	2 510	3 210	
	31.750			50.800		66.675													
1 1/2		0	0	2 3/8	-19	3	0	61.26		2.184	56.870	3	17.7	50	2 010	2 130	3 610	4 620	
	38.100	-8	-12	60.325		76.200	-300												
2			3		4			81.07		2.616	72.085	3	24.7	50	3 960	4 190	7 140	9 130	
	50.800			76.200		101.600													
2 1/2			3 3/4	0	5			100.99		3.048	90.220	3	29.5	50	5 190	5 490	9 090	11 600	
	63.500	0	0	95.250	-22	127.000													
3		-9	-15	4 1/2		6		120.04		3.048	109.474	3	39.6	50	8 620	9 120	14 500	18 500	
	76.200			114.300		152.400	0												
4		0	0	6	0	8	-400	158.95		3.53	145.923	3	49.5	50	17 000	18 000	28 600	36 500	
	101.600	-10	-20	152.400	-25	203.200													

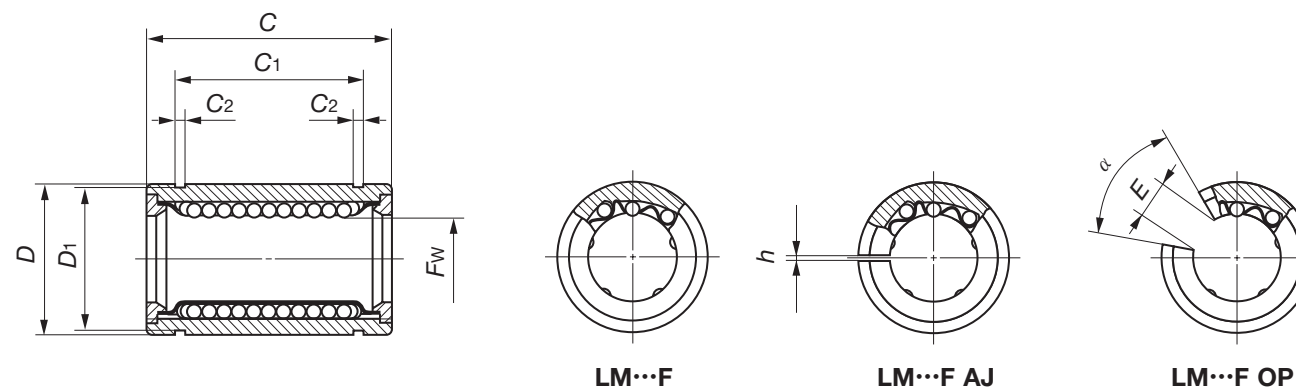
LBE, LBD, LBB, LM, LME, LMB



IKO Stainless Steel Linear Bushing : Metric series



Standard type : LM... F LM...N F (Synthetic resin retainer)	Adjustable clearance type : LM... F AJ LM...N F AJ (Synthetic resin retainer)	Open type : LM... F OP LM...N F OP (Synthetic resin retainer)
--	--	--



Shaft diameter mm	Model number								
	Standard type	Ball circuits	Mass (Ref.) g	Adjustable clearance type	Ball circuits	Mass (Ref.) g	Open type	Ball circuits	Mass (Ref.) g
6	LM 61219 F	4	8.5	—	—	—	—	—	—
	LM 61219N F	4	7.6	LM 61219N F AJ	4	7.5	—	—	—
8	LM 81517 F	4	11	—	—	—	—	—	—
	LM 81517N F	4	10.4	LM 81517N F AJ	4	10	—	—	—
	LM 81524 F	4	17	—	—	—	—	—	—
	LM 81524N F	4	15	LM 81524N F AJ	4	14.7	—	—	—
10	LM 101929 F	4	36	—	—	—	—	—	—
	LM 101929N F	4	29.5	LM 101929N F AJ	4	29	LM 101929N F OP	3	23
12	LM 122130 F	4	42	LM 122130 F AJ	4	41	LM 122130 F OP	3	32
	LM 122130N F	4	31.5	LM 122130N F AJ	4	31	LM 122130N F OP	3	25
13	LM 132332 F	4	49	LM 132332 F AJ	4	48	LM 132332 F OP	3	37.5
	LM 132332N F	4	43	LM 132332N F AJ	4	42	LM 132332N F OP	3	34
16	LM 162837 F	4	78	LM 162837 F AJ	4	77	LM 162837 F OP	3	60
	LM 162837N F	4	69.5	LM 162837N F AJ	4	68	LM 162837N F OP	3	52
20	LM 203242 F	5	100	LM 203242 F AJ	5	98	LM 203242 F OP	4	85
	LM 203242N F	5	98	LM 203242N F AJ	5	95	LM 203242N F OP	4	69
25	LM 254059 F	6	260	LM 254059 F AJ	6	255	LM 254059 F OP	5	220
	LM 254059N F	6	220	LM 254059N F AJ	6	216	LM 254059N F OP	5	188
30	LM 304564 F	6	290	LM 304564 F AJ	6	285	LM 304564 F OP	5	245
	LM 304564N F	6	250	LM 304564N F AJ	6	245	LM 304564N F OP	5	210
35	LM 355270 F	6	410	LM 355270 F AJ	6	405	LM 355270 F OP	5	346
	LM 355270N F	6	390	LM 355270N F AJ	6	384	LM 355270N F OP	5	335
40	LM 406080 F	6	654	LM 406080 F AJ	6	640	LM 406080 F OP	5	546
	LM 406080N F	6	585	LM 406080N F AJ	6	579	LM 406080N F OP	5	500
50	LM 5080100 F	6	1700	LM 5080100 F AJ	6	1680	LM 5080100 F OP	5	1420
	LM 5080100N F	6	1580	LM 5080100N F AJ	6	1560	LM 5080100N F OP	5	1340
60	LM 6090110 F	6	2000	LM 6090110 F AJ	6	1980	LM 6090110 F OP	5	1650
	LM 6090110N F	6	1860	LM 6090110N F AJ	6	1820	LM 6090110N F OP	5	1610

Note(1) : When circlips are used for mounting, the dimension C₁ minus twice the width of circlip becomes the width of hub.

Nominal dimensions and tolerances mm													Eccentricity Max. μm	Basic dynamic load rating		Basic static load rating	
F _w	Tolerance μm	D	Tolerance μm	C	Tolerance μm	C ₁ (1)	Tolerance μm	C ₂	D ₁	h	E	α De-gree		Load direction A N	Load direction B N	Load direction A N	Load direction B N
6		12		19		13.5		1.1	11.5	1			80.7	92.7	167	237	
8		15	0 -11	17		11.5		1.1	14.3	1			87.4	100	160	226	
8		15		24		17.5		1.1	14.3	1			121	139	255	361	
10	0 -6	19		29	0 -200	22	0 -200	1.3	18	1		8 80	179	206	354	501	
12		21	0	30		23		1.3	20	1.5	8	80	259	298	503	711	
13		23	-13	32		23		1.3	22	1.5	9	80	266	306	506	716	
16		28		37		26.5		1.6	27	1.5	11	80	426	489	766	1080	
20		32		42		30.5		1.6	30.5	1.5	11	60	562	668	1010	1470	
25	0 -7	40	0 -10	59	0 -16	41		1.85	38	2	12	50	920	974	1780	2280	
30		45		64		44.5		1.85	43	2.5	15	50	1350	1430	2500	3200	
35		52		70		49.5	0	2.1	49	2.5	17	50	1610	1710	3080	3940	
40	0 -8	60	0 -12	80	-300	60.5	-300	2.1	57	3	20	50	2030	2150	3620	4640	
50		80		100		74		2.6	76.5	3	25	50	3940	4180	7130	9120	
60	0 -9	90	0 -15	110		85		3.15	86.5	3	30	50	4760	5040	8150	10400	

Remark 1 : In the tolerance and eccentricity columns, "Precision" refers to precision class and "High" refers to high class.

2 : The end plate for the standard type and the adjustable clearance type with a shaft diameter of 40 mm or less is fixed using a stop ring for hole.

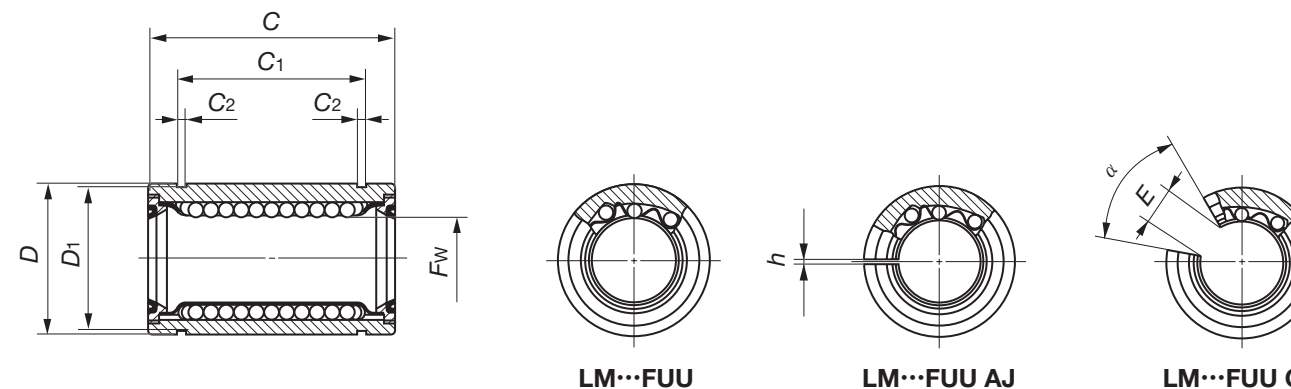
LBE, LBD, LBB, LM, LME, LMB



IKO Stainless Steel Linear Bushing with Seals : Metric series



Standard type : LM... F UU LM...N F UU (Synthetic resin retainer)	Adjustable clearance type : LM... F UU AJ LM...N F UU AJ (Synthetic resin retainer)	Open type : LM... F UU OP LM...N F UU OP (Synthetic resin retainer)
--	--	--



Shaft diameter mm	Model number								
	Standard type	Ball circuits	Mass (Ref.) g	Adjustable clearance type	Ball circuits	Mass (Ref.) g	Open type	Ball circuits	Mass (Ref.) g
6	LM 61219 F UU	4	8.5	—	—	—	—	—	—
	LM 61219N F UU	4	7.6	LM 61219N F UU AJ	4	7.5	—	—	—
8	LM 81517 F UU	4	11	—	—	—	—	—	—
	LM 81517N F UU	4	10.4	LM 81517N F UU AJ	4	10	—	—	—
	LM 81524 F UU	4	17	—	—	—	—	—	—
	LM 81524N F UU	4	15	LM 81524N F UU AJ	4	14.7	—	—	—
10	LM 101929 F UU	4	31	—	—	—	—	—	—
	LM 101929N F UU	4	29.5	LM 101929N F UU AJ	4	29	LM 101929N F UU OP	3	23
12	LM 122130 F UU	4	41	LM 122130 F UU AJ	4	40	LM 122130 F UU OP	3	32
	LM 122130N F UU	4	31.5	LM 122130N F UU AJ	4	31	LM 122130N F UU OP	3	25
13	LM 132332 F UU	4	49	LM 132332 F UU AJ	4	48	LM 132332 F UU OP	3	37.5
	LM 132332N F UU	4	43	LM 132332N F UU AJ	4	42	LM 132332N F UU OP	3	34
16	LM 162837 F UU	4	78	LM 162837 F UU AJ	4	77	LM 162837 F UU OP	3	60
	LM 162837N F UU	4	69.5	LM 162837N F UU AJ	4	68	LM 162837N F UU OP	3	52
20	LM 203242 F UU	5	100	LM 203242 F UU AJ	5	98	LM 203242 F UU OP	4	85
	LM 203242N F UU	5	98	LM 203242N F UU AJ	5	95	LM 203242N F UU OP	4	69
25	LM 254059 F UU	6	260	LM 254059 F UU AJ	6	255	LM 254059 F UU OP	5	220
	LM 254059N F UU	6	220	LM 254059N F UU AJ	6	216	LM 254059N F UU OP	5	188
30	LM 304564 F UU	6	290	LM 304564 F UU AJ	6	285	LM 304564 F UU OP	5	245
	LM 304564N F UU	6	250	LM 304564N F UU AJ	6	245	LM 304564N F UU OP	5	210
35	LM 355270 F UU	6	410	LM 355270 F UU AJ	6	405	LM 355270 F UU OP	5	346
	LM 355270N F UU	6	390	LM 355270N F UU AJ	6	384	LM 355270N F UU OP	5	335
40	LM 406080 F UU	6	636	LM 406080 F UU AJ	6	622	LM 406080 F UU OP	5	546
	LM 406080N F UU	6	585	LM 406080N F UU AJ	6	579	LM 406080N F UU OP	5	500
50	LM 5080100 F UU	6	1 670	LM 5080100 F UU AJ	6	1 650	LM 5080100 F UU OP	5	1 410
	LM 5080100N F UU	6	1 580	LM 5080100N F UU AJ	6	1 560	LM 5080100N F UU OP	5	1 340
60	LM 6090110 F UU	6	1 930	LM 6090110 F UU AJ	6	1 910	LM 6090110 F UU OP	5	1 580
	LM 6090110N F UU	6	1 860	LM 6090110N F UU AJ	6	1 820	LM 6090110N F UU OP	5	1 610

Note(1) : When circlips are used for mounting, the dimension C₁ minus twice the width of circlip becomes the width of hub.

F _w	Nominal dimensions and tolerances mm												Eccentricity		Basic dynamic load rating		Basic static load rating	
	Tolerance μm		D	Tolerance μm	C	Tolerance μm		C ₂	D ₁	h	E	α Degree	Max. μm	C		C ₀		
	Pre-precision	High				Pre-precision	High							Load direction A N	Load direction B N	Load direction A N	Load direction B N	
6			12		19		13.5		1.1	11.5	1			80.7	92.7	167	237	
8			15	0	17		11.5		1.1	14.3	1			87.4	100	160	226	
8			15	-11	24		17.5		1.1	14.3	1			121	139	255	361	
10	0	0	19		29	0	22	0	1.3	18	1	8	80	179	206	354	501	
12	-6	-9	21		30	-200	23	-200	1.3	20	1.5	8	80	259	298	503	711	
13			23	0	32		23		1.3	22	1.5	9	80	266	306	506	716	
13			23	-13	32		23		1.3	22	1.5	9	80	266	306	506	716	
16			28		37		26.5		1.6	27	1.5	11	80	426	489	766	1 080	
20			32		42		30.5		1.6	30.5	1.5	11	60	562	668	1 010	1 470	
25	0	0	40	0	59		41		1.85	38	2	12	50	920	974	1 780	2 280	
25	-7	-10	40	-16	59		41		1.85	38	2	12	50	920	974	1 780	2 280	
30			45		64		44.5		1.85	43	2.5	15	50	1 350	1 430	2 500	3 200	
35			52		70		49.5	0	2.1	49	2.5	17	50	1 610	1 710	3 080	3 940	
40	0	0	60	0	80	-300	60.5	-300	2.1	57	3	20	50	2 030	2 150	3 620	4 640	
40	-8	-12	60	-19	80		60.5		2.1	57	3	20	50	2 030	2 150	3 620	4 640	
50			80		100		74		2.6	76.5	3	25	50	3 940	4 180	7 130	9 120	
60	0	0	90	0	110		85		3.15	86.5	3	30	50	4 760	5 040	8 150	10 400	
60	-9	-15	90	-22	110		85		3.15	86.5	3	30	50	4 760	5 040	8 150	10 400	

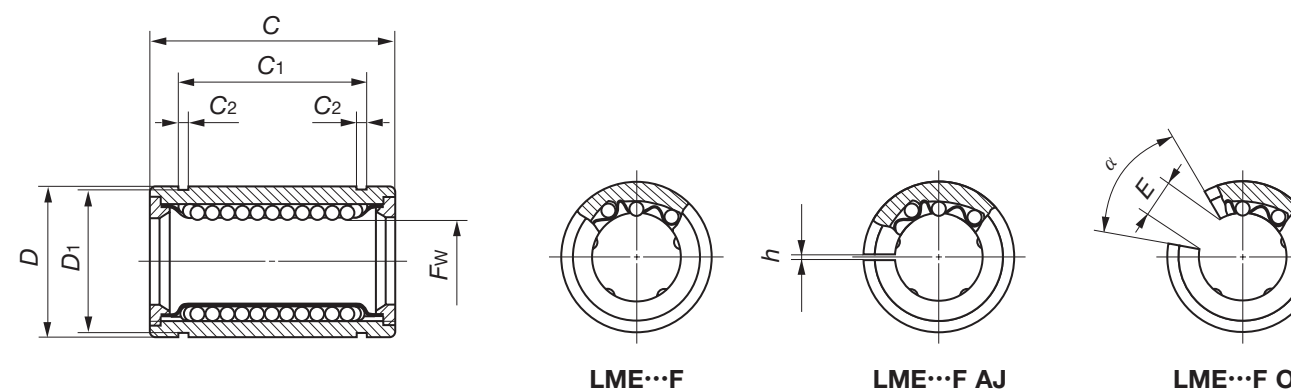
Remark 1 : In the tolerance and eccentricity columns, "Precision" refers to precision class and "High" refers to high class.
 2 : The end plate for the standard type and the adjustable clearance type with a shaft diameter of 40 mm or less is fixed using a stop ring for hole.



IKO Stainless Steel Linear Bushing : Metric series



Standard type : LME... F LME...N F (Synthetic resin retainer)	Adjustable clearance type : LME... F AJ LME...N F AJ (Synthetic resin retainer)	Open type : LME... F OP LME...N F OP (Synthetic resin retainer)
--	--	--



Shaft diameter mm	Model number											
	Standard type		Ball circuits	Mass (Ref.) g	Adjustable clearance type		Ball circuits	Mass (Ref.) g	Open type		Ball circuits	Mass (Ref.) g
5	LME 51222N F	4	10	LME 51222N F AJ	4	9.5	—	—	—	—	—	—
8	LME 81625 F	4	22	—	—	—	—	—	—	—	—	—
	LME 81625N F	4	20	LME 81625N F AJ	4	19	—	—	—	—	—	—
12	LME 122232 F	4	45.5	LME 122232 F AJ	4	44.5	LME 122232 F OP	3	35			
	LME 122232N F	4	41	LME 122232N F AJ	4	40	LME 122232N F OP	3	32			
16	LME 162636 F	4	59	LME 162636 F AJ	4	58	LME 162636 F OP	3	45			
	LME 162636N F	4	56.5	LME 162636N F AJ	4	54.5	LME 162636N F OP	3	44			
20	LME 203245 F	5	105	LME 203245 F AJ	5	100	LME 203245 F OP	4	84			
	LME 203245N F	5	92	LME 203245N F AJ	5	90	LME 203245N F OP	4	75			
25	LME 254058 F	6	240	LME 254058 F AJ	6	235	LME 254058 F OP	5	200			
	LME 254058N F	6	220	LME 254058N F AJ	6	215	LME 254058N F OP	5	181			
30	LME 304768 F	6	360	LME 304768 F AJ	6	355	LME 304768 F OP	5	300			
	LME 304768N F	6	325	LME 304768N F AJ	6	320	LME 304768N F OP	5	272			
40	LME 406280 F	6	770	LME 406280 F AJ	6	758	LME 406280 F OP	5	665			
	LME 406280N F	6	705	LME 406280N F AJ	6	694	LME 406280N F OP	5	600			
50	LME 5075100 F	6	1 250	LME 5075100 F AJ	6	1 230	LME 5075100 F OP	5	1 080			
	LME 5075100N F	6	1 130	LME 5075100N F AJ	6	1 110	LME 5075100N F OP	5	970			
60	LME 6090125 F	6	2 220	LME 6090125 F AJ	6	2 170	LME 6090125 F OP	5	1 900			
	LME 6090125N F	6	2 050	LME 6090125N F AJ	6	2 000	LME 6090125N F OP	5	1 580			

Note(1) : When circlips are used for mounting, the dimension C₁ minus twice the width of circlip becomes the width of hub.

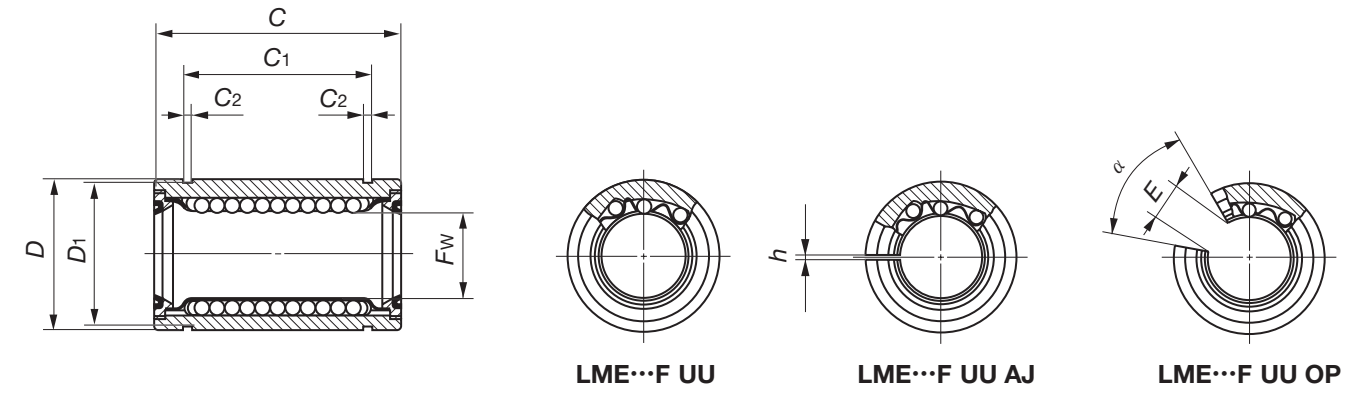
Nominal dimensions and tolerances mm													Eccentricity Max. μm	Basic dynamic load rating C		Basic static load rating C ₀	
F _w	Tolerance μm	D	Tolerance μm	C	Tolerance μm	C ₁ (¹)	Tolerance μm	C ₂	D ₁	h	E	α Degree		Load direction A N	Load direction B N	Load direction A N	Load direction B N
5		12	0	22		14.5		1.1	11.5	1	—	—	12	90.8	104	219	310
8	+8 0	16	-8	25		16.5		1.1	15.2	—	—	—	12	121	139	255	361
		12	0	32	0 -200	22.9	0 -200	1.3	21	1.5	7.5	78	12	259	298	503	711
16	+9 -1	26	-9	36		24.9		1.3	24.9	1.5	10	78	12	283	325	514	726
		20		45		31.5		1.6	30.3	2	10	60	15	562	668	1 010	1 470
25	+11 -1	40	0 -11	58		44.1		1.85	37.5	2	12.5	60	15	920	974	1 780	2 280
		30		68	0	52.1	0	1.85	44.5	2	12.5	50	15	1 350	1 430	2 500	3 200
40	+13 -2	62	0	80	-300	60.6	-300	2.15	59	3	16.8	50	17	2 030	2 150	3 620	4 640
		50	-13	100		77.6		2.65	72	3	21	50	17	3 940	4 180	7 130	9 120
60	+13 -2	90	0 -15	125	0 -400	101.7	0 -400	3.15	86.5	3	27.2	54	20	4 760	5 040	8 150	10 400



IKO Stainless Steel Linear Bushing with Seals : Metric series



Standard type : LME... F UU LME...N F UU (Synthetic resin retainer)	Adjustable clearance type : LME... F UU AJ LME...N F UU AJ (Synthetic resin retainer)	Open type : LME... F UU OP LME...N F UU OP (Synthetic resin retainer)
--	--	--



Shaft diameter mm	Model number								
	Standard type	Ball circuits	Mass (Ref.) g	Adjustable clearance type	Ball circuits	Mass (Ref.) g	Open type	Ball circuits	Mass (Ref.) g
5	LME 51222N F UU	4	10	LME 51222N F UU AJ	4	9.5	—	—	—
8	LME 81625 F UU	4	22	—	—	—	—	—	—
	LME 81625N F UU	4	20	LME 81625N F UU AJ	4	19	—	—	—
12	LME 122232 F UU	4	45.5	LME 122232 F UU AJ	4	44.5	LME 122232 F UU OP	3	35
	LME 122232N F UU	4	41	LME 122232N F UU AJ	4	40	LME 122232N F UU OP	3	32
16	LME 162636 F UU	4	59	LME 162636 F UU AJ	4	58	LME 162636 F UU OP	3	45
	LME 162636N F UU	4	56.5	LME 162636N F UU AJ	4	54.5	LME 162636N F UU OP	3	44
20	LME 203245 F UU	5	105	LME 203245 F UU AJ	5	100	LME 203245 F UU OP	4	84
	LME 203245N F UU	5	92	LME 203245N F UU AJ	5	90	LME 203245N F UU OP	4	75
25	LME 254058 F UU	6	240	LME 254058 F UU AJ	6	235	LME 254058 F UU OP	5	200
	*LME 254058N F UU	6	220	*LME 254058N F UU AJ	6	215	*LME 254058N F UU OP	5	181
30	LME 304768 F UU	6	360	LME 304768 F UU AJ	6	355	LME 304768 F UU OP	5	300
	LME 304768N F UU	6	325	LME 304768N F UU AJ	6	320	LME 304768N F UU OP	5	272
40	LME 406280 F UU	6	752	LME 406280 F UU AJ	6	740	LME 406280 F UU OP	5	645
	LME 406280N F UU	6	705	LME 406280N F UU AJ	6	694	LME 406280N F UU OP	5	600
50	LME 5075100 F UU	6	1 210	LME 5075100 F UU AJ	6	1 190	LME 5075100 F UU OP	5	1 050
	LME 5075100N F UU	6	1 130	LME 5075100N F UU AJ	6	1 110	LME 5075100N F UU OP	5	970
60	LME 6090125 F UU	6	2 160	LME 6090125 F UU AJ	6	2 110	LME 6090125 F UU OP	5	1 850
	LME 6090125N F UU	6	2 050	LME 6090125N F UU AJ	6	2 000	LME 6090125N F UU OP	5	1 580

Note(1) : When circlips are used for mounting, the dimension C₁ minus twice the width of circlip becomes the width of hub.
 Remark : Seals of the Linear Bushings marked with an asterisk (*) protrude a little from the end face of external cylinder.

Nominal dimensions and tolerances mm													Eccentricity Max. μm	Basic dynamic load rating C		Basic static load rating C ₀	
F _w	Tolerance μm	D	Tolerance μm	C	Tolerance μm	C ₁ (¹)	Tolerance μm	C ₂	D ₁	h	E	α Degree		Load direction A N	Load direction B N	Load direction A N	Load direction B N
5		12	0	22		14.5		1.1	11.5	1	—	—	12	90.8	104	219	310
8	+8 0	16	-8	25		16.5		1.1	15.2	1	—	—		121	139	255	361
12		22	0	32	0 -200	22.9	0 -200	1.3	21	1.5	7.5	78	259	298	503	711	
16	+9 -1	26	-9	36		24.9		1.3	24.9	1.5	10	78	283	325	514	726	
20		32		45		31.5		1.6	30.3	2	10	60	562	668	1 010	1 470	
25	+11 -1	40	0 -11	58		44.1		1.85	37.5	2	12.5	60	15	920	974	1 780	2 280
30		47		68	0	52.1	0	1.85	44.5	2	12.5	50		1 350	1 430	2 500	3 200
40		62	0	80	-300	60.6	-300	2.15	59	3	16.8	50	17	2 030	2 150	3 620	4 640
50	+13 -2	75	-13	100		77.6		2.65	72	3	21	50		3 940	4 180	7 130	9 120
60		90	0 -15	125	0 -400	101.7	0 -400	3.15	86.5	3	27.2	54	20	4 760	5 040	8 150	10 400

LBE, LBD, LBB, LM, LME, LMB



Miniature Linear Bushing

LMS

IKD Miniature Linear Bushing is a miniature type linear motion rolling guide which travels along a shaft to achieve endless linear motion. The shaft diameter is 3~5 mm. In the external cylinder of Miniature Linear Bushing, a retainer, steel balls and stop rings are compactly incorporated, and precise positioning accuracy can be obtained.

Low frictional linear motion

Steel balls are accurately guided by a retainer, so low frictional resistance and stable linear motion can be achieved.

Wide variations

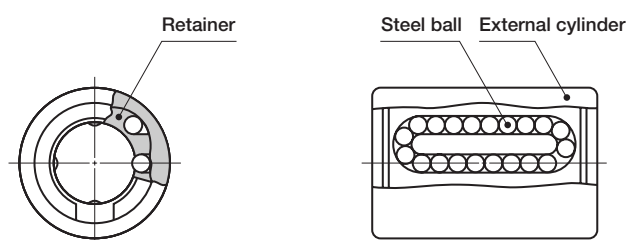
In addition to the standard type, the high-rigidity long type is available. These types can be selected to suit the requirements in applications.

Compact design

Miniature Linear Bushing is very small in size, allowing for compact assembly in machines and equipment.

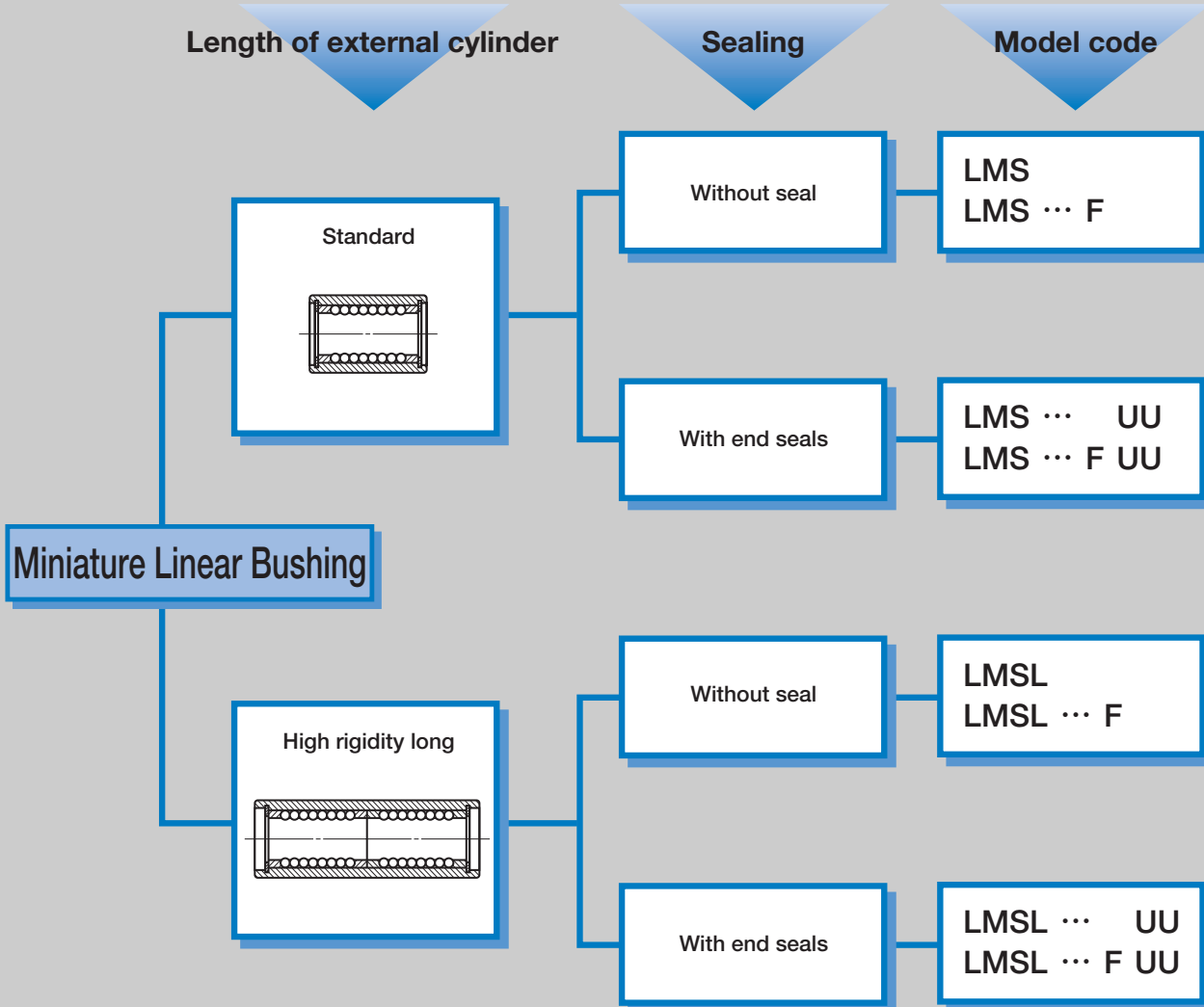
Stainless steel type

Miniature Linear Bushings made of stainless steel are also available. This type is suitable for applications where corrosion resistance is important.



Structure of Miniature Linear Bushing

Miniature Linear Bushing series

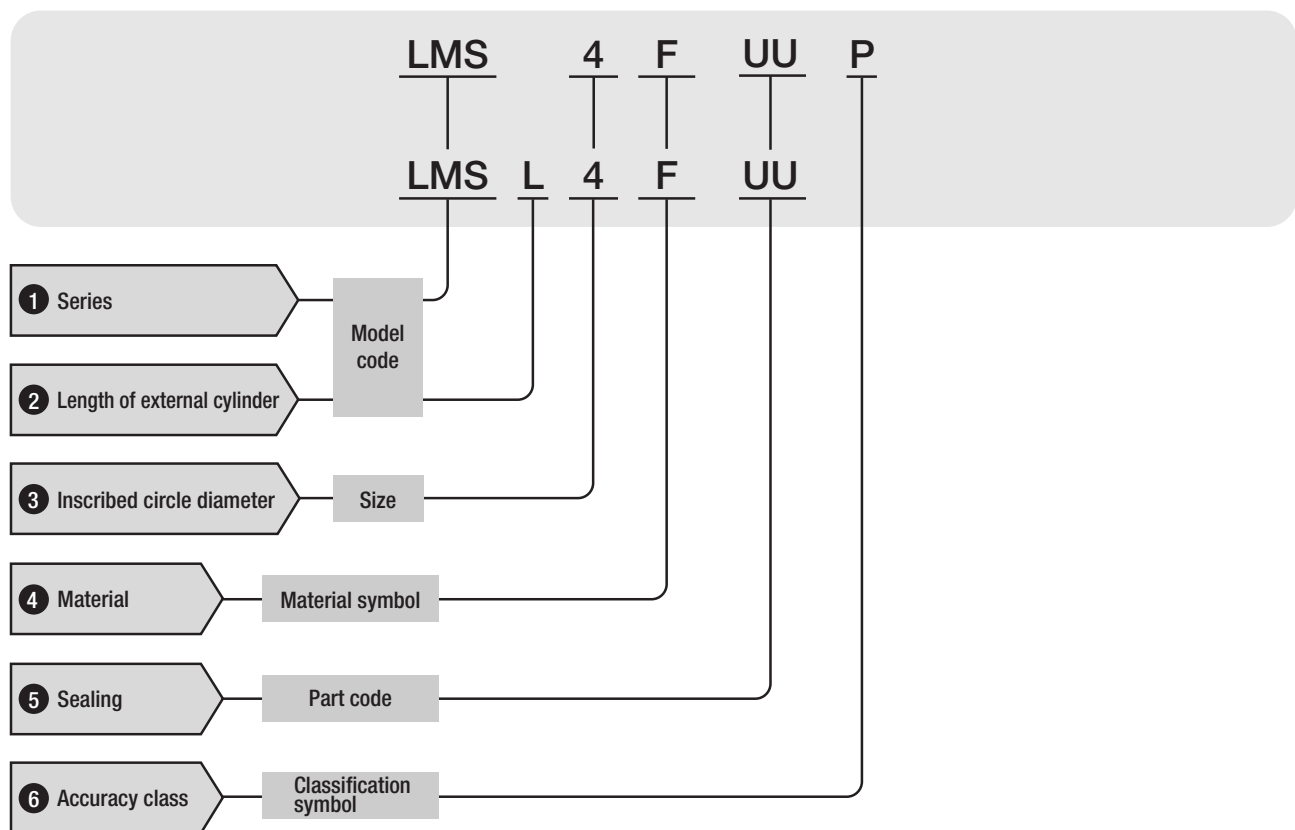


Remark : "F" in the model codes indicates a stainless steel type.

LMS
E

● Identification number and specification

The specification of Miniature Linear Bushing is indicated by the identification number, consisting of a model code, a size, a material symbol, a part code and a classification symbol.



<p>1 Series</p>	<p>LMS</p>	
<p>2 Length of external cylinder</p>	<p>Standard : No symbol High rigidity long : L</p>	
<p>3 Inscribed circle diameter</p>	<p>Indicate the inscribed circle diameter in mm.</p>	
<p>4 Material</p>	<p>High carbon steel made : No symbol Stainless steel made : F</p>	<p>Specify the component part material.</p>
<p>5 Sealing</p>	<p>Without seal : No symbol With two end seals : UU</p>	<p>Sealed type incorporates seals with superior dust protection performance in both ends of the external cylinder for preventing intrusion of foreign matter.</p>
<p>6 Accuracy class</p>	<p>High : No symbol Precision : P</p>	<p>For details of accuracy, see the table of dimensions on page E-173. The precision class is applicable to standard type only. When strict control of radial internal clearance is required, specially controlled products of which inscribed circle diameter is selected within the divisions of every 0.002 mm can be delivered. If required, consult IKO.</p>

Load Rating

Summarized descriptions of load ratings of Miniature Linear Bushing are given below. For details of load rating definitions and load calculations, see "General description".

● Basic dynamic load rating C

The basic dynamic load rating is defined as the constant load both in direction and magnitude under which a group of identical Miniature Linear Bushings are individually operated and 90% of the units in the group can travel 50×10^3 meters free from material damage due to rolling contact fatigue.

● Basic static load rating C_0

The basic static load rating is defined as the static load that gives a prescribed constant contact stress at the center of the contact area between the rolling element and raceway receiving the maximum load.

● Relationships between load ratings and the position of ball circuits

Load ratings of Miniature Linear Bushing are affected by the position of the ball circuits. In the table of dimensions, two types of load ratings are shown corresponding to the load directions and steel ball circuit positions as shown in Fig. 1 and Fig. 2.

In Fig. 1 the load direction is in line with the steel ball circuit position and this direction is referred to as load direction A in the table of dimensions. In general, the load ratings for this direction are also used, when the load direction is indeterminate or the steel ball circuit position in relation to the load direction cannot be determined.

In Fig. 2, the load direction is pointed at the center of two ball circuits and this direction is referred to as load direction B in the table of dimensions. In general, a larger load can be received in this case compared with load direction A.

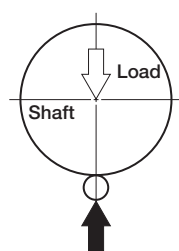


Fig. 1 Load direction A

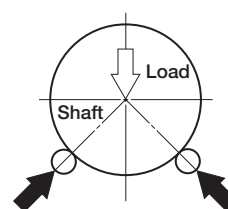


Fig. 2 Load direction B

Precautions for Use

① Raceway surface

Since Miniature Linear Bushings operate with a shaft as a raceway surface, the shaft should be heat-treated and ground. Recommended surface hardness, roughness and minimum effective hardening depth of the shaft are shown in Table 1.

Table 1 Surface hardness, roughness and minimum effective hardening depth

Item	Recommended value	Remark
Surface hardness	58~64HRC	When the raceway hardness is less than the necessary hardness, multiply load ratings by the hardness factor.
Surface roughness	0.2 μ mRa or better (0.8 μ mRy or better)	—
Effective hardening depth	0.8mm or more	—

② Lubrication

Miniature Linear Bushing can be used with oil or grease lubrication. It is a common practice to apply grease lightly on the shaft surface and steel balls for grease lubrication. A good quality lithium-soap base grease is recommended for grease lubrication.

③ When rotational motion is present

Miniature Linear Bushing can only be operated in linear motion and can not be rotated. When linear motion in short stroke length and rotation are both required, **IKO** Miniature Stroke Rotary Bushing (See page E-186.) is recommended.

④ Insertion of shaft

When Miniature Linear Bushing is assembled with the shaft, do not insert the shaft with angle. It is possible that the steel balls will fall out or the retainer will be deformed and smooth operation can not be obtained.

Precautions for Mounting

● Fit

Table 2 shows the recommended fit tolerances for Miniature Linear Bushing. Thickness of external cylinder is very thin. Therefore, when fitting it into the housing, epoxy type adhesive is recommended for fixing the external cylinder in the housing. Do not apply press fitting.

Table 2 Recommended fit tolerance
(Tolerance of shaft and housing bore)

unit : μm

Class \ Item	Shaft	Housing
High class	- 6 -14	+12 0
Precision class	- 4 - 9	+ 8 0

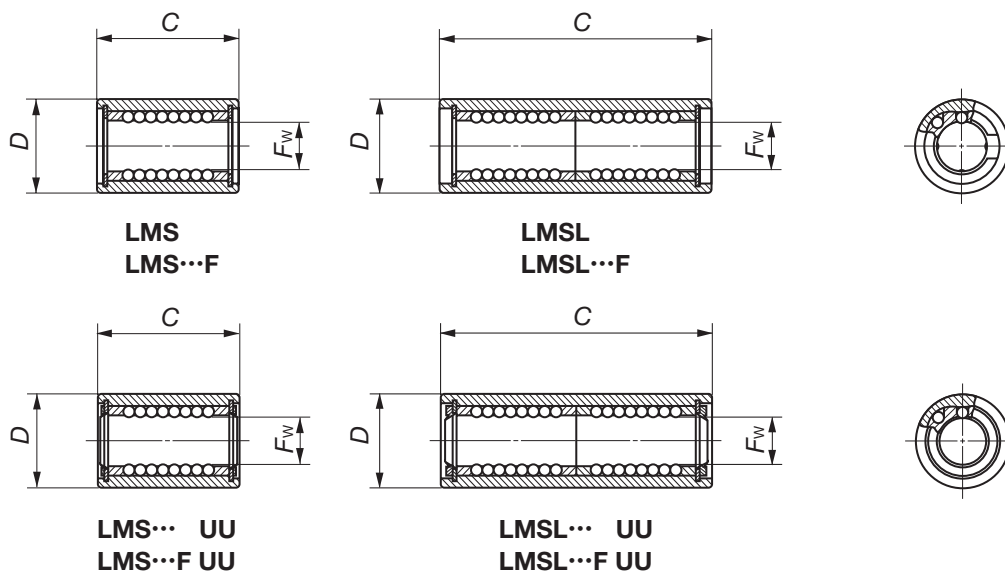
Accessories

● Steel shaft for Miniature Linear Bushing

In order to achieve full performance of Miniature Linear Bushing, heat-treated and ground steel shafts with high accuracy and rigidity are available. For details, consult **IKO**.

IKO Miniature Linear Bushing

Standard : LMS
High rigidity long :LMSL



Shaft diameter mm	Model number	Ball circuits	Mass (Ref.) g	Nominal dimensions and tolerances mm						Eccentricity		Basic dynamic load rating C		Basic static load rating Co				
				Fw	Tolerance μm		D	Tolerance μm		C	Max. μm		Load direction A N	Load direction B N	Load direction A N	Load direction B N		
					Pre- cision	High		Pre- cision	High		Pre- cision	High						
3	LMS 3 LMS 3 F LMS 3 UU LMS 3 F UU	4	1.8	3	0 -5	0 -8	0 -7	0 -8	10	0 -120	2	4	18.4	21.2	39.4	55.8		
	LMSL 3 LMSL 3 F LMSL 3 UU LMSL 3 F UU																3	-
	4	LMS 4 LMS 4 F LMS 4 UU LMS 4 F UU	4	2.8	4	0 -5	0 -8	0 -7	0 -8	12	0 -120	2	4	23.5	27.0	48.6	68.7	
		LMSL 4 LMSL 4 F LMSL 4 UU LMSL 4 F UU																4
		5	LMS 5 LMS 5 F LMS 5 UU LMS 5 F UU	4	3.8	5	0 -5	0 -8	0 -7	0 -8	15	0 -120	2	4	51.3	59.0	108	152
			LMSL 5 LMSL 5 F LMSL 5 UU LMSL 5 F UU															

Remark : In the tolerance and eccentricity columns, "Precision" refers to precision class and "High" refers to high class.

1N=0.102kgf=0.2248lbs.
 1mm=0.03937inch

E-173





E-174

Stroke Rotary Bushings

Description of each series and Table of dimensions

E

Stroke Rotary Bushing

Page E-176 to E-185



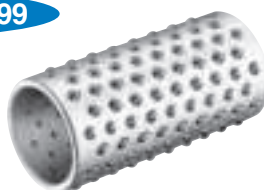
Miniature Stroke Rotary Bushing

Page E-186 to E-193



Stroke Rotary Cage

Page E-194 to E-199



In the table of dimensions, standard products are referred to using identification numbers marked with . The identification numbers marked with refer to our semi-standard products.

(E-175)

Stroke Rotary Bushing

ST

IKD Stroke Rotary Bushing is a compact linear motion rolling guide capable of rotation as well as linear motion with low frictional resistance. In the external cylinder, steel balls and a retainer are incorporated. Standard and sealed types are available. In both standard and sealed types, ordinary and heavy duty types are available. This series is used in many applications.

Rotary and linear motion

Steel balls and a retainer are incorporated in an external cylinder having a cylindrical raceway on the inside, so rotary motion can be achieved as well as linear movement.

Low frictional resistance

Very accurate steel balls are incorporated in a precisely ground external cylinder. So low rolling friction with extremely smooth rotary and reciprocating linear motions can be obtained.

Small inertia

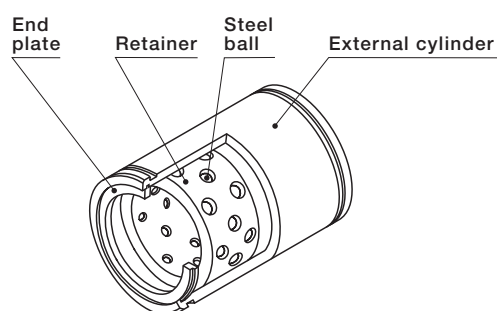
Since the retainer is highly rigid but light, this series is suitable for high speed rotation and reciprocating movement as inertia is small.

Standard type Stroke Rotary Bushing

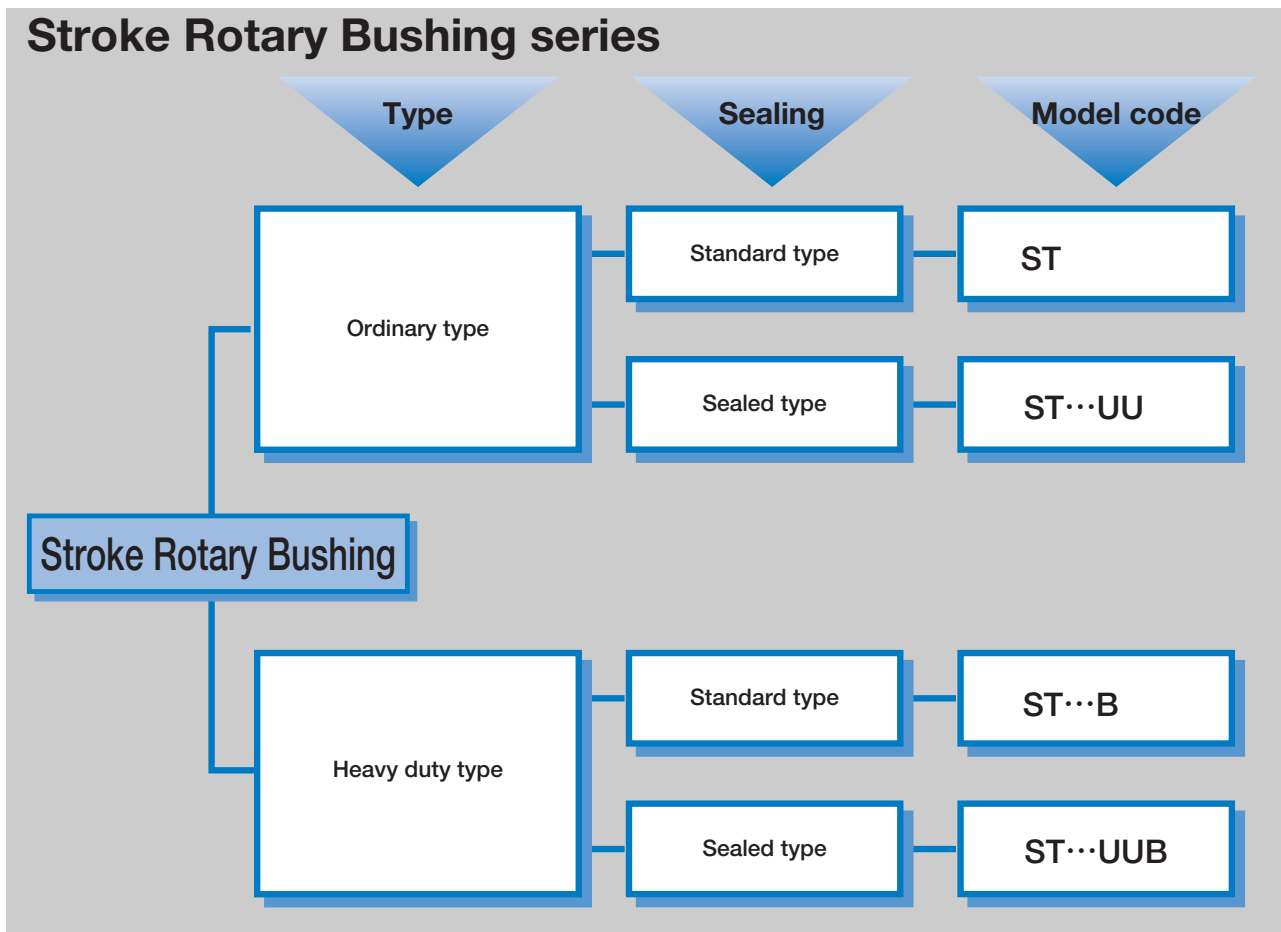
This type is classified into ordinary and heavy duty types depending on the magnitude of load rating. The heavy duty type has a larger load rating and a higher rigidity than the ordinary type, but the stroke length is shorter compared to the ordinary type.

Sealed type Stroke Rotary Bushing

In this type, synthetic resin seals are incorporated in the external cylinder bore at both ends. These seals are used to prevent intrusion of foreign substances. This type is classified into ordinary and heavy duty types. Both types have shorter stroke lengths compared to the standard type.

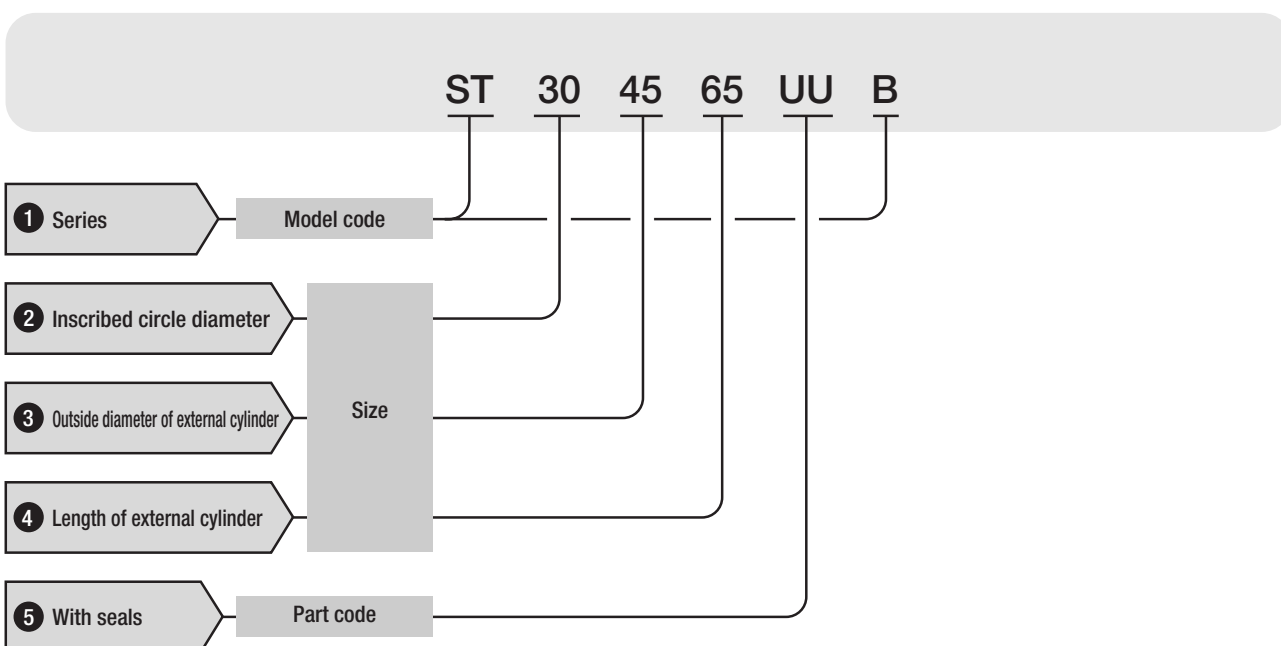


Structure of Stroke Rotary Bushing



● Identification number and specification

The specification of Stroke Rotary Bushing is indicated by the identification number, consisting of a model code, a size and a part code.



ST
E

1 Series	Ordinary type : ST Heavy duty type : ST···B	The heavy duty type has larger load ratings and higher rigidity but a shorter stroke length than the ordinary type.
2 Inscribed circle diameter	Indicate the inscribed circle diameter in mm.	
3 Outside diameter of external cylinder	Indicate the outside diameter of external cylinder in mm.	
4 Length of external cylinder	Indicate the length of external cylinder in mm.	
5 With seals	Standard type : No symbol Sealed type : UU	The sealed type incorporates seals for preventing intrusion of foreign substances. The maximum allowable temperature for seals is 120°C.

Load Rating

The load ratings of Stroke Rotary Bushing are defined for radial load. Summarized descriptions of load ratings are given below. For details of load rating definitions and load calculations, see "General description".

● Basic dynamic load rating C

The basic dynamic load rating is defined as the constant radial load both in direction and magnitude under which a group of identical Stroke Rotary Bushings are individually operated and 90% of the units in the group can rotate 1,000,000 revolutions free from material damage due to rolling contact fatigue.

● Basic static load rating C_0

The basic static load rating is defined as the static radial load that gives a prescribed constant contact stress at the center of the contact area between the rolling element and raceway receiving the maximum load.

Accuracy

The accuracy of Stroke Rotary Bushing is shown in Tables 1.1 and 1.2. The outside diameter of external cylinder changes by the tension of the stop ring to be set with the external cylinder. Accordingly, the measurement of the outside diameter should be made at the measuring position obtained from formula (1), and the mean diameter at that position is used.

$$W = 4 + L_1 / 8 \dots \dots \dots (1)$$

where, W : Distance from the end face to measuring position P , mm (See Fig. 1.)
 L_1 : Length of external cylinder, mm

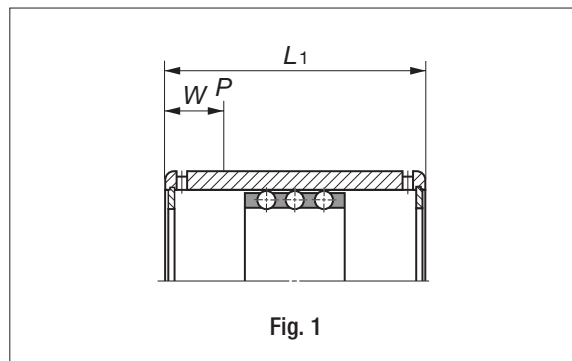


Table 1.1 Tolerance of inscribed circle diameter and outside diameter of external cylinder unit : μm

Inscribed circle diameter F_w or outside diameter D of external cylinder mm		Tolerance of inscribed circle diameter F_w		Tolerance of outside diameter of external cylinder $D_m^{(1)}$	
over	incl.	high	low	high	low
4	6	+18	+10	—	—
6	10	+22	+13	0	- 8
10	18	+27	+16	0	- 8
18	30	+33	+20	0	- 9
30	50	+41	+25	0	-11
50	80	+49	+30	0	-13
80	120	+58	+36	0	-15
120	150	—	—	0	-18

Note⁽¹⁾ : D_m is an arithmetic mean value of maximum and minimum outside diameters obtained by two-point measurement method.

Table 1.2 Tolerance of length of external cylinder unit : μm

Inscribed circle diameter F_w mm		Tolerance of length L_1 of external cylinder	
over	incl.	high	low
—	20	0	-200
20	60	0	-300
60	100	0	-400

Fit

The fit of Stroke Rotary Bushing with shaft and housing bore is recommended to be as shown in Table 2. Since both rotary and linear motions may be performed at the same time, radial clearance should be held to minimum if shock load is applied or vibration is present during the operation. For use on a vertical axis or when very accurate movement is required, zero clearance or minimal preload is recommended. However, since excessive preload shortens life, radial clearance smaller than the values shown in Table 3 should not be used.

Table 2 Recommended fit tolerance

Operating condition	Tolerance range class	
	Shaft	Housing bore
General application	k5, m5	H6, H7
Vertical axis or high accuracy	n5, p6	J6, J7

Table 3 Minimum radial clearance

unit : μm

Inscribed circle diameter F_w mm		Minimum value of radial clearance
over	incl.	
4	6	- 2
6	10	- 3
10	18	- 4
18	30	- 5
30	50	- 6
50	80	- 8
80	100	-10

Allowable Limit of Speed

Stroke Rotary Bushing can operate in both linear and rotary directions at the same time. The allowable limit of speed when linear motion and rotation occur at the same time can be obtained from the following formula. Limiting values in general are shown in Table 4.

$$DN \geq D_{pw} n + 10S n_1 \dots\dots\dots(2)$$

where, DN : Limit of speed (See Table 4.)

n : Number of revolutions per minute, rpm

n_1 : Number of strokes per minute, cpm

S : Stroke length, mm

D_{pw} : Pitch circle diameter of balls, mm ($D_{pw} \doteq 1.15 F_w$)

F_w : Inscribed circle diameter, mm

This formula is applicable only when $n_1 \leq 5000$ and $S n_1 \leq 50000$.

Table 4 Limit of speed

Lubrication	DN
Oil	600 000
Grease	300 000

Precautions for Use

- ① Actual stroke length should be less than 80% of the maximum stroke length shown in the dimension tables.
- ② Since Stroke Rotary Bushings operate with a shaft as a raceway surface, the shaft should be heat-treated and ground. Recommended surface hardness and roughness of the shaft are shown in Table 5, and also recommended minimum effective hardening depth of the raceway is shown in Table 6.
- ③ This series can be used with oil or grease lubrication. A good quality lithium-soap base grease is recommended for grease lubrication. Lubrication is done through oil holes provided on the external cylinder.

Table 5 Surface hardness and roughness of raceways

Item	Recommended value	Remarks
Surface hardness	58~64HRC	When the raceway hardness is less than the necessary hardness, multiply load ratings by the hardness factor.
Surface roughness	0.2 μ mRa or better (0.8 μ mRy or better)	When the required accuracy is not severe, a surface roughness of about 0.8 μ mRa (3.2 μ mRy) is adequate.

Table 6 Minimum effective hardening depth unit : mm

Shaft diameter		Recommended minimum effective hardening depth
over	incl.	
—	28	0.8
28	50	1.0
50	100	1.5

Precautions for Mounting

First, assemble Stroke Rotary Bushing into a housing. Then gradually and gently insert a shaft into a bore. At this time, be careful not to give impact on the steel balls. After Stroke Rotary Bushing is assembled with a shaft and housing, the retainer must be located at the center of the axial direction of the external cylinder. In this process, insert the shaft into the bore, and the retainer will move together with the shaft and then stop at the end of external cylinder. Push in the shaft further for the distance of 1/2 of the maximum stroke length shown in the dimension tables while paying attention not to damage the steel balls and raceways. Pull back the shaft for the distance of 1/2 of the maximum stroke length. The retainer should then be positioned at the center of the axial direction of the external cylinder.

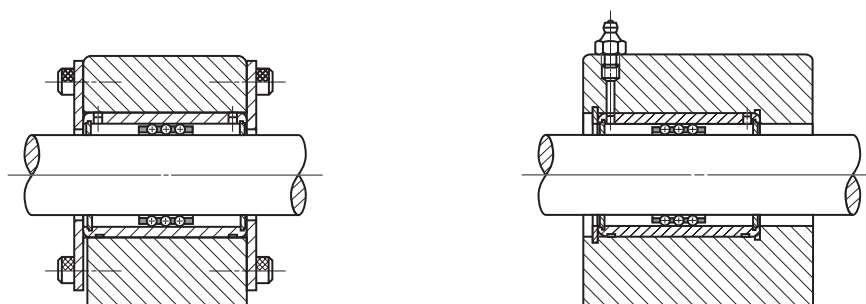
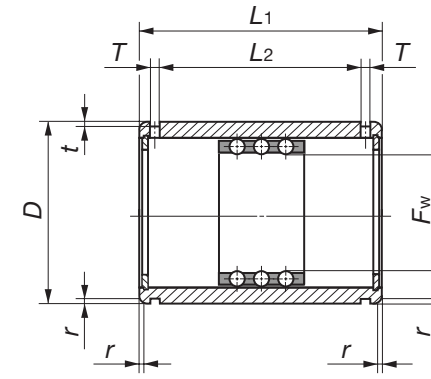


Fig. 2 Mounting examples

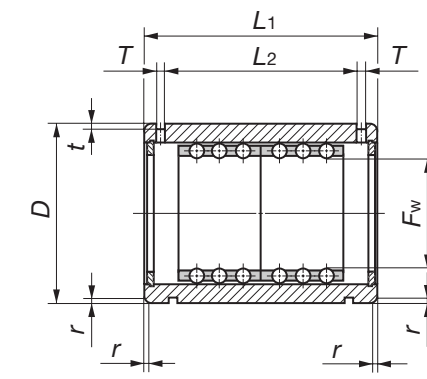
IKO Stroke Rotary Bushing



Ordinary type : **ST**
Heavy duty type : **ST...B**



ST



ST...B

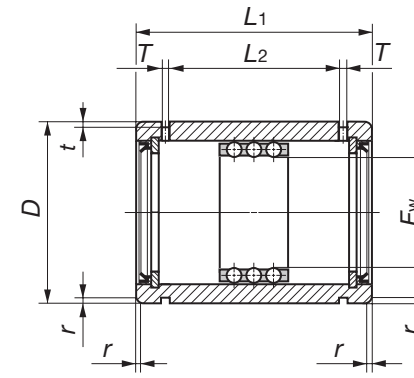
Shaft diameter mm	Model number				Nominal dimensions mm			
	Ordinary type	Mass (Ref.) g	Heavy duty type	Mass (Ref.) g	F_w	D	L_1	L_2
4	ST 4814	2.9	—	—	4	8	14	9
5	ST 51016	5.6	—	—	5	10	16	10.6
6	ST 61219	8.9	—	—	6	12	19	13.2
8	ST 81524	15.6	ST 81524B	16.8	8	15	24	17.1
10	ST 101930	28.8	ST 101930B	31.2	10	19	30	22.7
12	ST 122332	42	ST 122332B	46	12	23	32	24.5
16	ST 162837	71	ST 162837B	75	16	28	37	29.1
20	ST 203245	99	ST 203245B	106	20	32	45	35.8
25	ST 253745	117	ST 253745B	125	25	37	45	35.8
30	ST 304565	205	ST 304565B	220	30	45	65	53.5
35	ST 355270	329	ST 355270B	346	35	52	70	58.5
40	ST 406080	516	ST 406080B	540	40	60	80	68.3
45	ST 456580	563	ST 456580B	588	45	65	80	68.3
50	ST 5072100	827	ST 5072100B	862	50	72	100	86.4
55	ST 5580100	1 160	ST 5580100B	1 200	55	80	100	86.4
60	ST 6085100	1 240	ST 6085100B	1 290	60	85	100	86.4
70	ST 7095100	1 400	ST 7095100B	1 450	70	95	100	86.4
80	ST 80110100	2 050	ST 80110100B	2 110	80	110	100	86
90	ST 90120100	2 250	ST 90120100B	2 330	90	120	100	86
100	ST 100130100	2 440	ST 100130100B	2 520	100	130	100	86

T	t	r	ST			ST...B		
			Maximum stroke length mm	Basic dynamic load rating C N	Basic static load rating C ₀ N	Maximum stroke length mm	Basic dynamic load rating C N	Basic static load rating C ₀ N
1.1	0.25	0.3	10	112	59.5	—	—	—
1.1	0.25	0.3	13	121	68.3	—	—	—
1.1	0.25	0.3	15	278	168	—	—	—
1.5	0.5	0.5	24	315	211	8	512	422
1.5	0.5	0.5	30	659	466	8	1 070	932
1.5	0.5	0.5	32	1 110	822	8	1 800	1 640
1.5	0.5	0.5	40	1 230	998	16	1 990	2 000
2	0.5	0.5	54	1 390	1 250	28	2 250	2 500
2	0.5	1	54	1 450	1 430	28	2 360	2 850
2.5	0.5	1	82	3 110	3 160	44	5 060	6 320
2.5	0.7	1.5	92	3 290	3 550	54	5 340	7 100
2.5	0.7	1.5	108	4 340	4 810	66	7 050	9 630
2.5	0.7	1.5	108	4 550	5 330	66	7 390	10 700
3	1	1.5	138	5 790	6 970	88	9 400	13 900
3	1	2	138	6 030	7 630	88	9 800	15 300
3	1	2	138	6 260	8 300	88	10 200	16 600
3	1	2	138	6 510	9 320	88	10 600	18 600
3	1.5	2	132	8 230	12 200	76	13 400	24 400
3	1.5	2	132	8 550	13 500	76	13 900	27 000
3	1.5	2	132	8 820	14 800	76	14 300	29 500

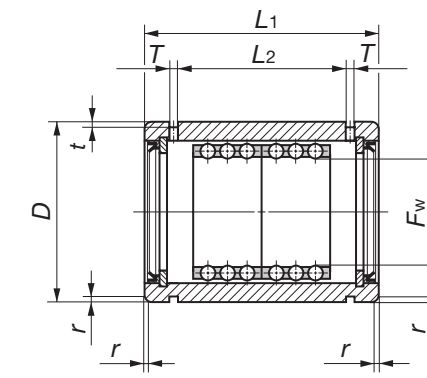
IKO Sealed type Stroke Rotary Bushing



Ordinary type : ST...UU
Heavy duty type : ST...UUB



ST...UU



ST...UUB

Shaft diameter mm	Model number				Nominal dimensions mm			
	Ordinary type	Mass (Ref.) g	Heavy duty type	Mass (Ref.) g	F_w	D	L_1	L_2
8	ST 81524UU	16.5	—	—	8	15	24	12.3
10	ST 101930UU	30.7	—	—	10	19	30	15.5
12	ST 122332UU	45	—	—	12	23	32	17.1
16	ST 162837UU	74	—	—	16	28	37	21.1
20	ST 203245UU	107	—	—	20	32	45	26.8
25	ST 253745UU	121	—	—	25	37	45	26.8
30	ST 304565UU	215	ST 304565UUB	230	30	45	65	45.1
35	ST 355270UU	342	ST 355270UUB	359	35	52	70	50.1
40	ST 406080UU	529	ST 406080UUB	553	40	60	80	59.9
45	ST 456580UU	577	ST 456580UUB	602	45	65	80	59.9
50	ST 5072100UU	836	ST 5072100UUB	871	50	72	100	77.4
55	ST 5580100UU	1 190	ST 5580100UUB	1 230	55	80	100	77.4
60	ST 6085100UU	1 270	ST 6085100UUB	1 320	60	85	100	77.4
70	ST 7095100UU	1 430	ST 7095100UUB	1 480	70	95	100	77.4
80	ST 80110100UU	2 080	ST 80110100UUB	2 140	80	110	100	77
90	ST 90120100UU	2 290	ST 90120100UUB	2 370	90	120	100	77
100	ST 100130100UU	2 540	ST 100130100UUB	2 620	100	130	100	77

T	t	r	ST...UU			ST...UUB		
			Maximum stroke length mm	Basic dynamic load rating C N	Basic static load rating C ₀ N	Maximum stroke length mm	Basic dynamic load rating C N	Basic static load rating C ₀ N
1.5	0.5	0.5	14	315	211	—	—	—
1.5	0.5	0.5	16	659	466	—	—	—
1.5	0.5	0.5	17	1 110	822	—	—	—
1.5	0.5	0.5	24	1 230	998	—	—	—
2	0.5	0.5	32	1 390	1 250	—	—	—
2	0.5	1	32	1 450	1 430	—	—	—
2.5	0.5	1	65	3 110	3 160	27	5 060	6 320
2.5	0.7	1.5	75	3 290	3 550	37	5 340	7 100
2.5	0.7	1.5	91	4 340	4 810	49	7 050	9 630
2.5	0.7	1.5	91	4 550	5 330	49	7 390	10 700
3	1	1.5	120	5 790	6 970	70	9 400	13 900
3	1	2	120	6 030	7 630	70	9 800	15 300
3	1	2	120	6 260	8 300	70	10 200	16 600
3	1	2	120	6 510	9 320	70	10 600	18 600
3	1.5	2	114	8 230	12 200	58	13 400	24 400
3	1.5	2	114	8 550	13 500	58	13 900	27 000
3	1.5	2	114	8 820	14 800	58	14 300	29 500

Miniature Stroke Rotary Bushing

STSI

IKD Miniature Stroke Rotary Bushing is a very compact linear motion rolling guide with small diameter and low sectional height. It is able to achieve both rotary and linear motion at the same time.

Since Miniature Stroke Rotary Bushing is extremely small in size and features high accuracy and low frictional resistance, it is suitable for applications which require compact size with high accuracy such as measuring instruments, IC manufacturing machines and precision equipment.

Rotary and linear motion

Steel balls held in a retainer are assembled into an outer ring having a cylindrical raceway on the inside, so linear motion as well as rotary movement can be achieved.

Extremely compact size

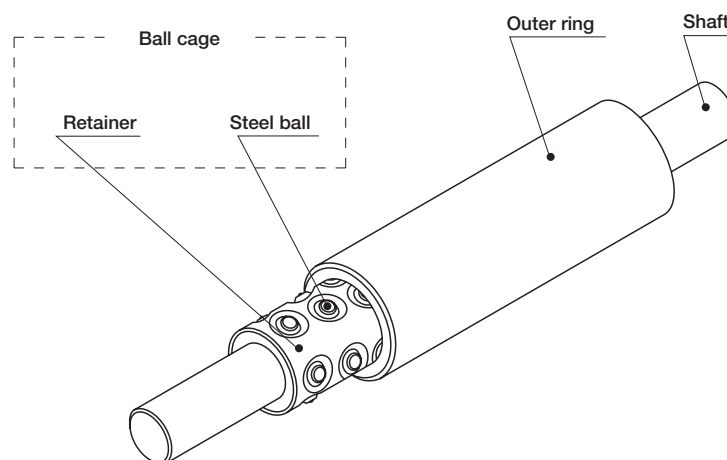
Very small diameter steel balls are assembled in a very thin walled outer ring. So the assembled set is extremely compact in sectional height.

Extremely accurate

The outer ring and shaft are precisely super-finished after heat treatment. The assembled set, which consists of an outer ring, shaft and very precise steel balls held in a retainer, is set to zero or minimal preload. So extremely accurate operation can be achieved both in rotary and linear motion.

Very smooth movement

All parts are precisely finished and assembled to obtain an optimal preload. This series offers very smooth and stable movement as well as high accuracy with low frictional resistance.



Structure of Miniature Stroke Rotary Bushing

Miniature Stroke Rotary Bushing series

Assembled set

Miniature Stroke Rotary Bushing
with shaft: STSI



Miniature Stroke Rotary Bushing
without shaft: STS



Parts

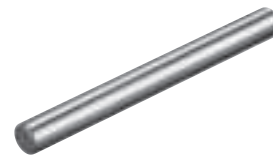
Outer ring: OR...A



Ball cage: BK...A



Shaft: SF...A

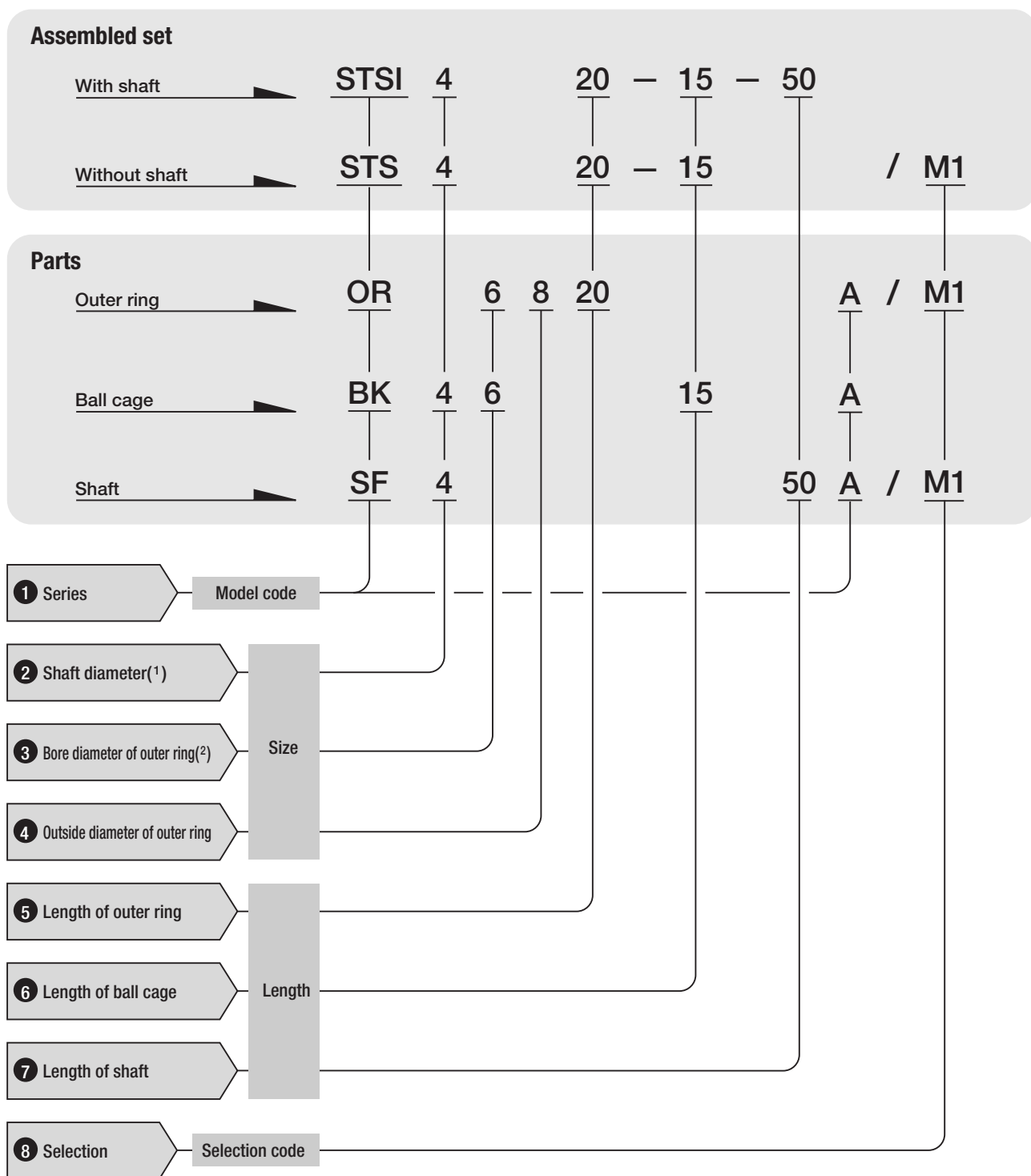


STSI



● Identification number and specification

The specification of Miniature Stroke Rotary Bushing is indicated by the identification number, consisting of a model code, a size, a length and a selection code.



Note(1) : For an assembled set without shaft and for a ball cage, this item indicates an inscribed circle diameter.
 (2) : For a ball cage, this item indicates a circumscribed circle diameter.

1 Series

Assembled set with shaft : **STSI**
 Assembled set without shaft : **STS**
 Outer ring : **OR...A**
 Ball cage : **BK...A**
 Shaft : **SF ...A**

2 Shaft diameter

Indicate the shaft diameter in mm. For an assembled set without shaft and for a ball cage, indicate an inscribed circle diameter.

3 Bore diameter of outer ring

Indicate the bore diameter of outer ring in mm. For a ball cage, indicate a circumscribed circle diameter.

4 Outside diameter of outer ring

Indicate the outside diameter of outer ring in mm.

5 Length of outer ring

Indicate the length of outer ring in mm.

6 Length of ball cage

Indicate the length of ball cage in mm.

7 Length of shaft

Indicate the length of shaft in mm.

8 Selection

M1 select group : **M1**
 M2 select group : **M2**
 M3 select group : **M3**

Table 1.2 shows selection codes and dimensional tolerances. When assembling parts, combine parts with the same selection code.

Load Rating

The load ratings of Miniature Stroke Rotary Bushing are defined for radial load. Summarized descriptions of load ratings are given below. For details of load rating definitions and load calculations, see "General description".

The load rating of Miniature Stroke Rotary Bushing is given for the case when the steel balls assembled in a retainer are positioned within the outer ring raceway without escaping from it and equally share an applied load.

● Basic static load rating C_0

The basic static load rating is defined as the static radial load that gives a prescribed constant contact stress at the center of the contact area between the rolling element and raceway receiving the maximum load.

Accuracy

The accuracy of Miniature Stroke Rotary Bushing is shown below.

Table 1.1 Accuracy

Outside diameter of outer ring mm		Tolerance of outside diameter of outer ring μm		Maximum radial runout of outside diameter of outer ring μm	Tolerance of length of outer ring and shaft mm
over	incl.	high	low		
3	6	0	-5	8	± 0.1
6	10	0	-6		
10	18	0	-8		
18	30	0	-9	9	

Table 1.2 Selection codes and dimensional tolerances

unit : μm

Selection code	Tolerance of outer ring bore		Tolerance of inscribed circle diameter		Tolerance of shaft diameter	
	high	low	high	low	high	low
M1	-1	-3	-1	-3	0	-1
M2	-2	-4	-2	-4	-1	-2
M3	-3	-5	-3	-5	-2	-3

Fit

Miniature Stroke Rotary Bushing is set to minimal preload condition to obtain high operating accuracy. For Miniature Stroke Rotary Bushing with shaft, a slight clearance fit between the outer ring and the housing is recommended to avoid any undesirable influence on the inscribed circle diameter.

Also, when assembling the outer ring, ball cage and shaft, select the outer ring and shaft which have the same selection code and match them to a ball cage.

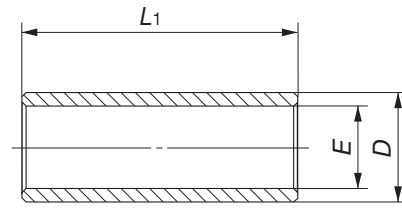
Precautions for Use

- 1 The outer ring should have a clearance fit in the housing. When the outer ring must be positioned in the axial direction with the housing, use a stop ring, etc. at the end of the outer ring or use synthetic adhesive.
- 2 When inserting a shaft into a ball cage, the ball cage must be located at the center of the axial direction of the outer ring. A convenient way of locating the ball cage is to shift the position of the ball cage prior to assembly to the inserting direction for the distance of 1/2 of the inserting distance of the shaft.
- 3 When inserting the shaft into a ball cage, be careful not to damage the steel balls and raceways by twisting the shaft or applying a shock load.
- 4 Miniature Stroke Rotary Bushing can be used with oil or grease lubrication. When lubricating with grease, the grease is usually lightly smeared on the raceways of the shaft and outer ring. A good quality lithium-soap base grease is recommended.

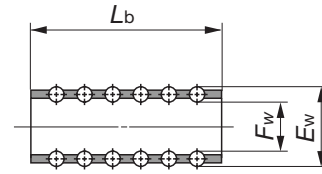
IKO Miniature Stroke Rotary Bushing



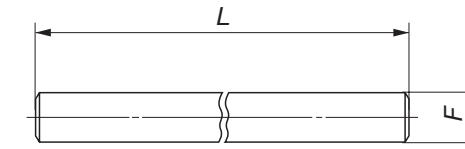
- Assembled set with shaft : **STSI**
- Assembled set without shaft : **STS**
- Outer ring : **OR...A**
- Ball cage : **BK...A**
- Shaft : **SF ...A**



Outer ring



Ball cage



Shaft

Shaft diameter mm	Model number of the assembled set without shaft	Outer ring					Ball cage		
		Identification number	Mass (Ref.) g	Nominal dimension mm			Identification number	Mass (Ref.) g	F _w
				E	D	L ₁			
2	STS 2 L ₁ -L _b	OR 3 5 10 A	0.9	3.2	5	10	BK 2 3 5 A	0.1	2
		OR 3 5 15 A	1.3				BK 2 3 10 A	0.3	
3	STS 3 L ₁ -L _b	OR 5 7 10 A	1.5	5	7	20	BK 3 5 10 A	0.7	3
		OR 5 7 20 A	2.9				BK 3 5 15 A	1.1	
		OR 5 7 30 A	4.4				BK 3 5 20 A	1.4	
4	STS 4 L ₁ -L _b	OR 6 8 10 A	1.7	6	8	20	BK 4 6 10 A	0.9	4
		OR 6 8 20 A	3.4				BK 4 6 15 A	1.3	
		OR 6 8 30 A	5.2				BK 4 6 20 A	1.8	
5	STS 5 L ₁ -L _b	OR 7 10 10 A	3.1	7	10	20	BK 5 7 10 A	1.0	5
		OR 7 10 20 A	6.3				BK 5 7 15 A	1.6	
		OR 7 10 30 A	9.4				BK 5 7 20 A	2.0	
6	STS 6 L ₁ -L _b	OR 8 11 20 A	7.0	8	11	30	BK 6 8 10 A	1.2	6
		OR 8 11 30 A	10.5				BK 6 8 15 A	1.8	
		OR 8 11 40 A	14.1				BK 6 8 20 A	2.3	
8	STS 8 L ₁ -L _b	OR 10 13 20 A	8.5	10	13	20	BK 8 10 10 A	1.6	8
		OR 10 13 30 A	12.7				BK 8 10 15 A	2.4	
		OR 10 13 40 A	17.0				BK 8 10 20 A	3.2	
10	STS 10 L ₁ -L _b	OR 12 18 20 A	22.2	12	18	20	BK 10 12 15 A	2.8	10
		OR 12 18 30 A	33.3				BK 10 12 20 A	3.8	
		OR 12 18 43 A	47.7				BK 10 12 25 A	4.8	
12	STS 12 L ₁ -L _b	OR 14 20 25 A	31.4	14	20	25	BK 12 14 20 A	4.3	12
		OR 14 20 30 A	37.7				BK 12 14 25 A	5.4	
		OR 14 20 35 A	44.0				BK 12 14 30 A	6.1	
		OR 14 20 40 A	50.3						

Nominal dimensions mm		Basic static load rating ⁽¹⁾ C ₀ N	Shaft			Model number of the assembled set with shaft		
E _w	L _b		Identification number	Mass (Ref.) g	Nominal dimensions mm			
						F	L	
3.2	5	10.5	SF 2 20 A	0.5	2	20	STSI 2 L ₁ -L _b -L	
	10	21.0	SF 2 30 A	0.7				30
5	10	38.4	SF 3 50 A	2.8	3	50	STSI 3 L ₁ -L _b -L	
	15	57.7		3.3				60
	20	76.9						
6	10	59.5	SF 4 50 A	4.9	4	50	STSI 4 L ₁ -L _b -L	
	15	89.3		5.9				60
	20	119						
7	10	81	SF 5 50 A	7.7	5	50	STSI 5 L ₁ -L _b -L	
	15	121		12.3				80
	20	162						
8	10	103	SF 6 50 A	11.1	6	50	STSI 6 L ₁ -L _b -L	
	15	154		17.7				80
	20	206						
10	10	105	SF 8 50 A	19.7	8	50	STSI 8 L ₁ -L _b -L	
	15	157		31.5				80
	20	209		35.5				90
12	15	191	SF 10 80 A	49.3	10	80	STSI 10 L ₁ -L _b -L	
	20	254		61.6				100
	25	318		74.0				120
14	20	341	SF 12 80 A	71.0	12	80	STSI 12 L ₁ -L _b -L	
	25	427		88.8				100
	30	512		106.5				120

Note⁽¹⁾ : This figure shows the static load rating when the steel balls assembled in a retainer do not escape from the raceway of outer ring and the balls equally share an applied load.

Remark : "L₁", "L_b" and "L" in the model number of the assembled set - either with shaft or without shaft - indicate "length of outer ring", "length of ball cage" and "shaft length" respectively.

Stroke Rotary Cage

BG

IKD Stroke Rotary Cage is a compact linear motion rolling guide with low sectional height. Steel balls having very small size variation in diameter are held in a retainer. Thus if they are assembled with a shaft and housing which are precisely finished to function as raceways, reciprocal linear motion as well as rotation can be achieved with high accuracy corresponding to the accuracy of the shaft and housing.

Superior high speed performance

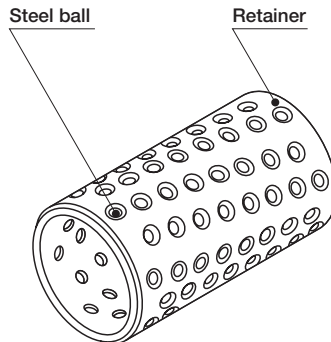
The retainers are highly rigid and light in weight with low inertia. So this series is suitable for high speed reciprocating linear motion.

Large load rating and high rigidity

In the retainer, steel balls are incorporated as many as possible. So the load ratings are large and the rigidity is high with small elastic deformation even under fluctuating loads or localized edge loads.

Long life

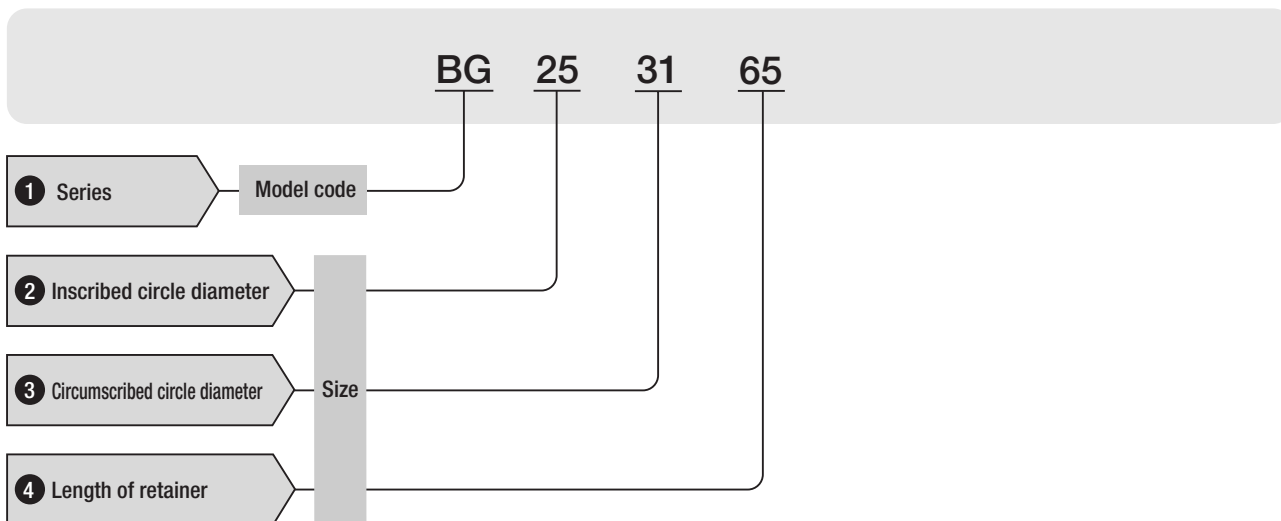
The steel balls held in the retainer are arranged in a spiral formation in order to prevent the steel balls tracing the same path. Rolling contact fatigue of the shaft and housing raceways is thereby minimized. Also, stable high accuracy can be assured for long periods of time.



Structure of Stroke Rotary Cage

● Identification number and specification

The identification number of Stroke Rotary Cage consists of a model code and a size. An example of identification number is shown below.



1 Series

BG

2 Inscribed circle diameter

Indicate the inscribed circle diameter in mm.

3 Circumscribed circle diameter

Indicate the circumscribed circle diameter in mm.

4 Length of retainer

Indicate the length of retainer in mm.

BG

E

Load Rating

The load ratings of Stroke Rotary Cage are defined for radial load. Summarized descriptions of load ratings are given below. For details of load rating definitions and load calculations, see "General description".

● Basic dynamic load rating C

The basic dynamic load rating is defined as the constant radial load both in direction and magnitude under which a group of identical Stroke Rotary Cages are individually operated and 90% of the units in the group can rotate 1,000,000 revolutions free from material damage due to rolling contact fatigue.

● Basic static load rating C_0

The basic static load rating is defined as the static radial load that gives a prescribed constant contact stress at the center of the contact area between the rolling element and raceway receiving the maximum load.

Fit

Stroke Rotary Cage is generally used with a minimal radial clearance. Recommended fits are shown in Table 1.

If Stroke Rotary Cage is used on the die-set guiding posts of press machines or on machines which require accurate operation, a preload is generally given. In this case, the dimensional accuracy of the shaft and housing bore is recommended as shown in Table 2. However, since excessive preload shortens the life of Stroke Rotary Cage, it is suggested that the lower limit of radial clearance is not smaller than the value shown in Table 3.

Table 1 Fit in general

Shaft	Housing bore
h5, h6	H6, H7

Table 2 Dimensional accuracy of shaft and housing bore
unit : μm

Nominal diameter mm	Shaft h5		Housing bore K5		
	high	low	Nominal diameter mm	high	low
19	0	- 9	25	+1	-8
22	0	- 9	28	+1	-8
25	0	- 9	31	+2	-9
28	0	- 9	36	+2	-9
32	0	-11	40	+2	-9
38	0	-11	48	+2	-9

Table 3 Lower limit of radial clearance

unit : μm

Nominal shaft diameter mm	Lower limit of radial clearance
19	-5
22	-5
25	-5
28	-7
32	-7
38	-7

Allowable Limit of Speed

Stroke Rotary Cages can be operated in both linear and rotary directions at the same time. The allowable limit of speed when linear motion and rotation occur at the same time can be obtained from the following formula. Limiting values in general are shown in Table 4.

$$DN \geq D_{pw} n + 10S n_1 \dots\dots\dots (1)$$

where, *DN*: Limit of speed (See Table 4.)

n: Number of revolutions per minute, rpm

*n*₁: Number of strokes per minute, cpm

S: Stroke length, mm

*D*_{pw}: Pitch circle diameter of balls, mm ($D_{pw} = \frac{F_w + E_w}{2}$)

*F*_w: Inscribed circle diameter, mm

*E*_w: Circumscribed circle diameter, mm

This formula is applicable only when *n*₁ ≤ 5000 and *S**n*₁ ≤ 50000.

Table 4 Limit of speed

Lubrication	<i>DN</i>
Oil	600 000
Grease	300 000

Precautions for Use

- ① Stroke Rotary Cage is used with a shaft and housing bore as raceway surfaces. Recommended surface hardness and roughness of the shaft and housing are shown in Table 5, and also recommended minimum effective hardening depth of the raceway is shown in Table 6.

Table 5 Surface hardness and roughness of raceways

Item	Recommended value	Remarks
Surface hardness	58~64HRC	When the raceway hardness is less than the necessary hardness, multiply load ratings by the hardness factor.
Surface roughness	0.2 μmRa or better (0.8 μmRy or better)	When the required accuracy is not severe, a surface roughness of about 0.8 μmRa (3.2 μmRy) is adequate.

Table 6 Minimum effective hardening depth unit : mm

Shaft or housing bore diameter		Recommended minimum effective hardening depth
over	incl.	
—	28	0.8
28	50	1.0

- ② Stroke Rotary Cage can be used with oil or grease lubrication. A good quality lithium-soap base grease is recommended for grease lubrication.
- ③ When Stroke Rotary Cage is operated in a linear direction and some of the steel balls escape the housing raceway, it is recommended that the housing bore ends should be slightly tapered so that the balls enter or exit smoothly.

BG

E

Precautions for Mounting

- 1 First, assemble Stroke Rotary Cage into a housing. Then gradually and gently insert a shaft into a bore. During assembly, keep the shaft parallel to the axis of Stroke Rotary Cage and avoid giving impact on the steel balls.
- 2 When Stroke Rotary Cage is used in a preloaded condition, position the ball cage at the regular position in the axial direction. A convenient way for positioning is to shift the position of the ball cage prior to the assembly to the inserting direction for the distance of $1/2$ of the inserting distance of the shaft.

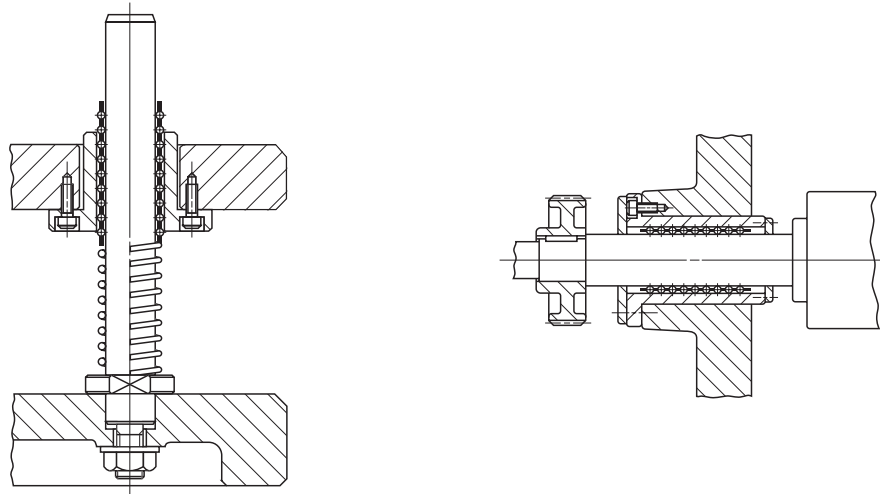
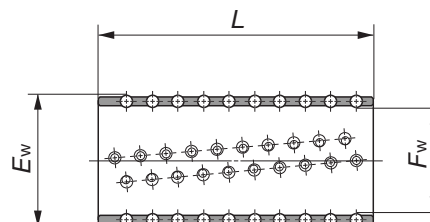
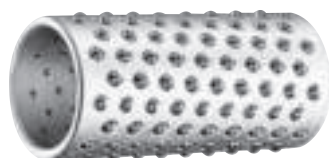


Fig. 1 Mounting examples

IKO Stroke Rotary Cage

BG


Shaft diameter mm	Model number	Mass (Ref.) g	Nominal dimensions mm			Basic dynamic load rating C N	Basic static load rating C ₀ N
			F_w	E_w	L		
19	BG 192555	33	19	25	55	2 330	2 600
22	BG 222860	40	22	28	60	2 490	2 950
25	BG 253165	48	25	31	65	2 660	3 390
28	BG 283670	76	28	36	70	3 830	4 660
32	BG 324075	93	32	40	75	4 480	6 030
38	BG 384880	162	38	48	80	6 750	9 390

Remark : The values of basic dynamic load rating and basic static load rating are the values when the steel balls assembled in a retainer do not escape from the raceways and the applied load is equally distributed on the balls.

BG
E



E-200

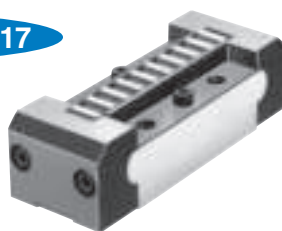
Roller Ways and Flat Roller Cages

Description of each series and Table of dimensions

E

Roller Way

Page E-202 to E-217



Flat Roller Cage

Page E-218 to E-229



In the table of dimensions, standard products are referred to using identification numbers marked with . The identification numbers marked with refer to our semi-standard products.

(E-201)

Roller Way

RW / SR / GSN

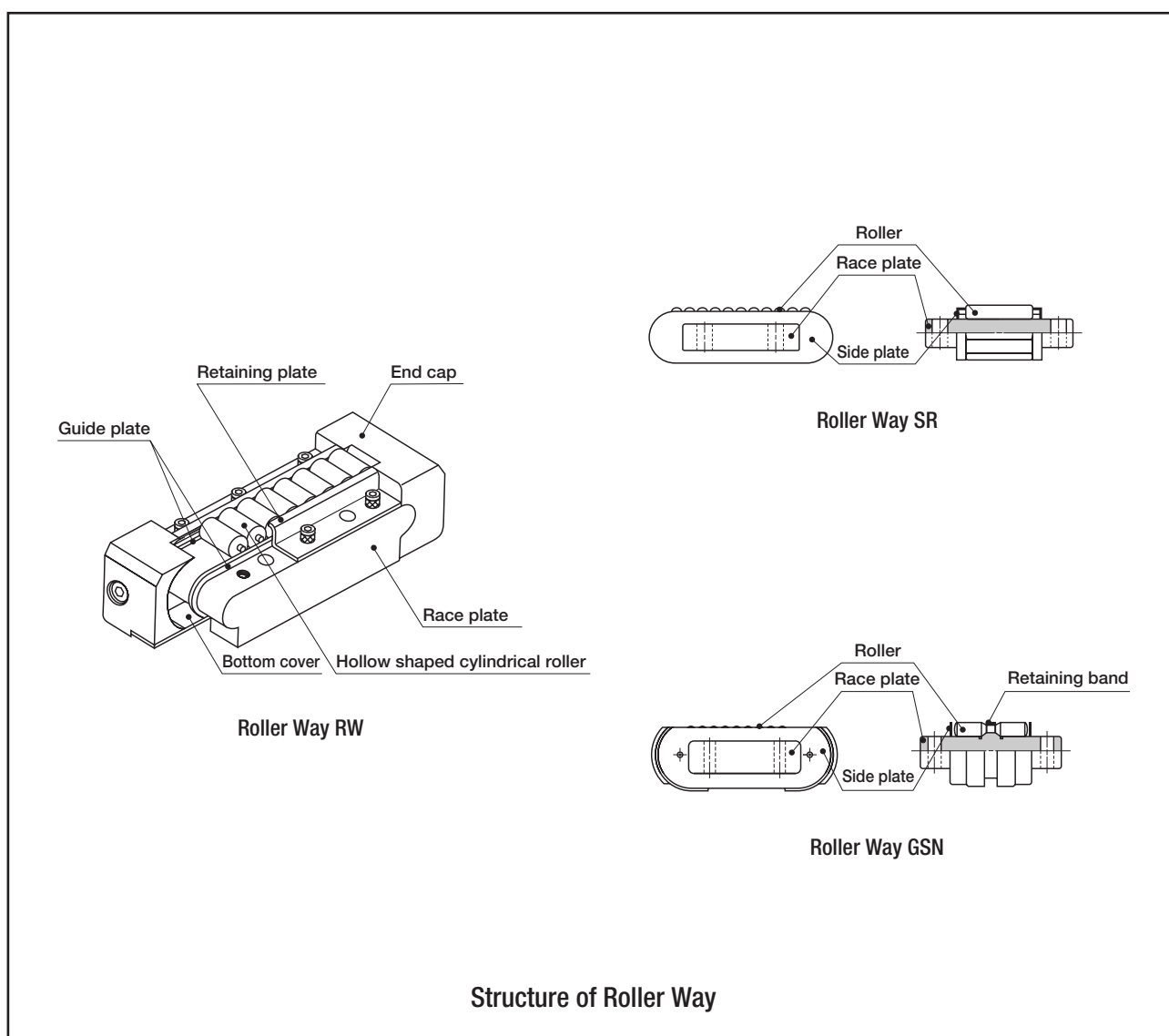
IKD Roller Way is a precision linear motion rolling guide incorporating cylindrical rollers with a precisely finished race plate. It has high load capacity and high rigidity. Elastic deformation under heavy or fluctuating load is very small and smooth linear motion can be easily obtained.

High rigidity and dimensional accuracy

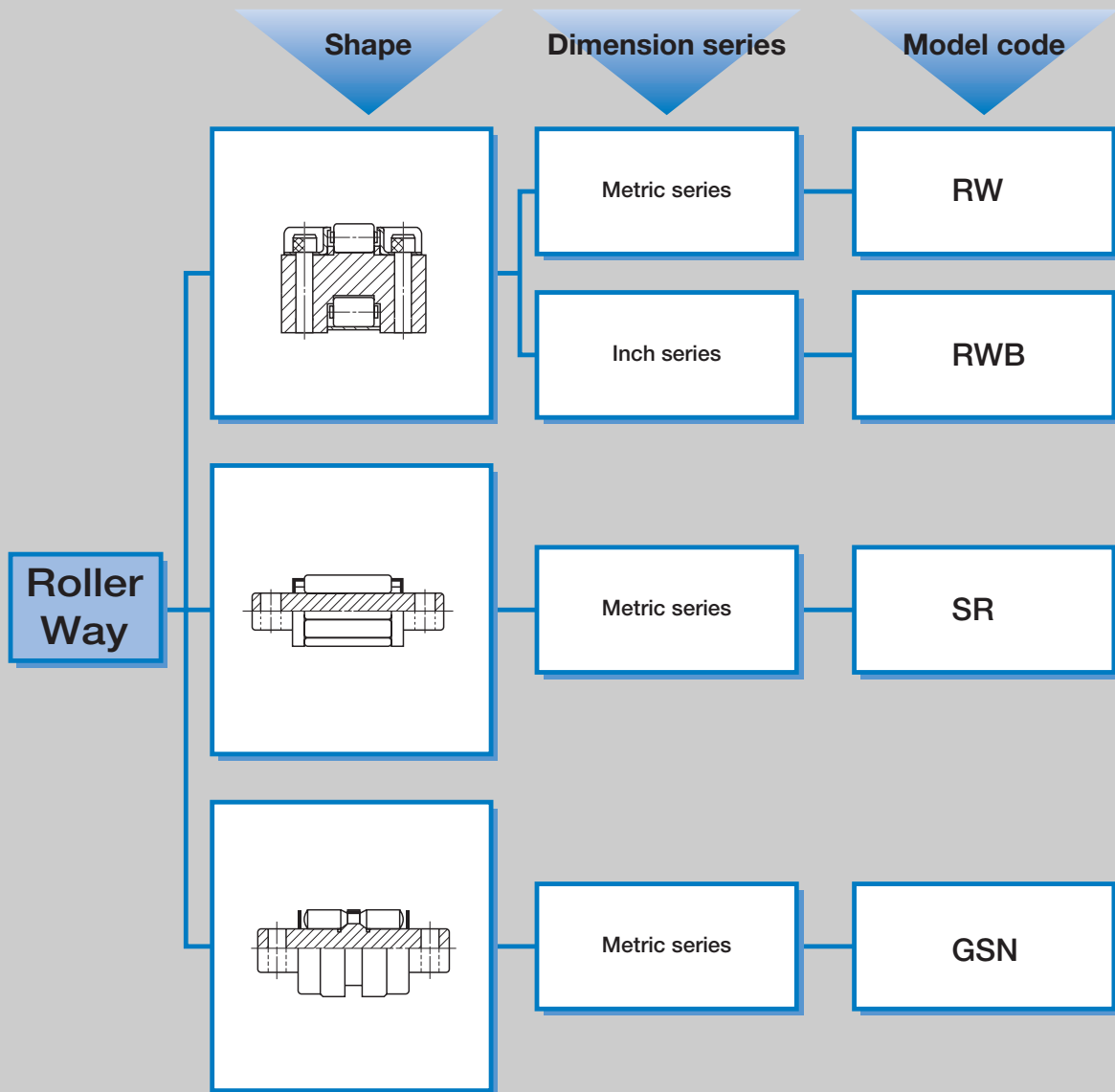
Precise cylindrical rollers are matched with a solid ground race plate finished to a high degree of flatness, achieving both high rigidity and high dimensional accuracy. As the height of Roller Way can be selected within a narrow range of $2\mu\text{m}$ in dimensional tolerance, uniform load distribution can be easily obtained among multiple Roller Ways.

Smooth operation

Each type has a structure for accurate roller guidance that prevents skewing. So very stable and smooth linear motion is achieved.



Roller Way series

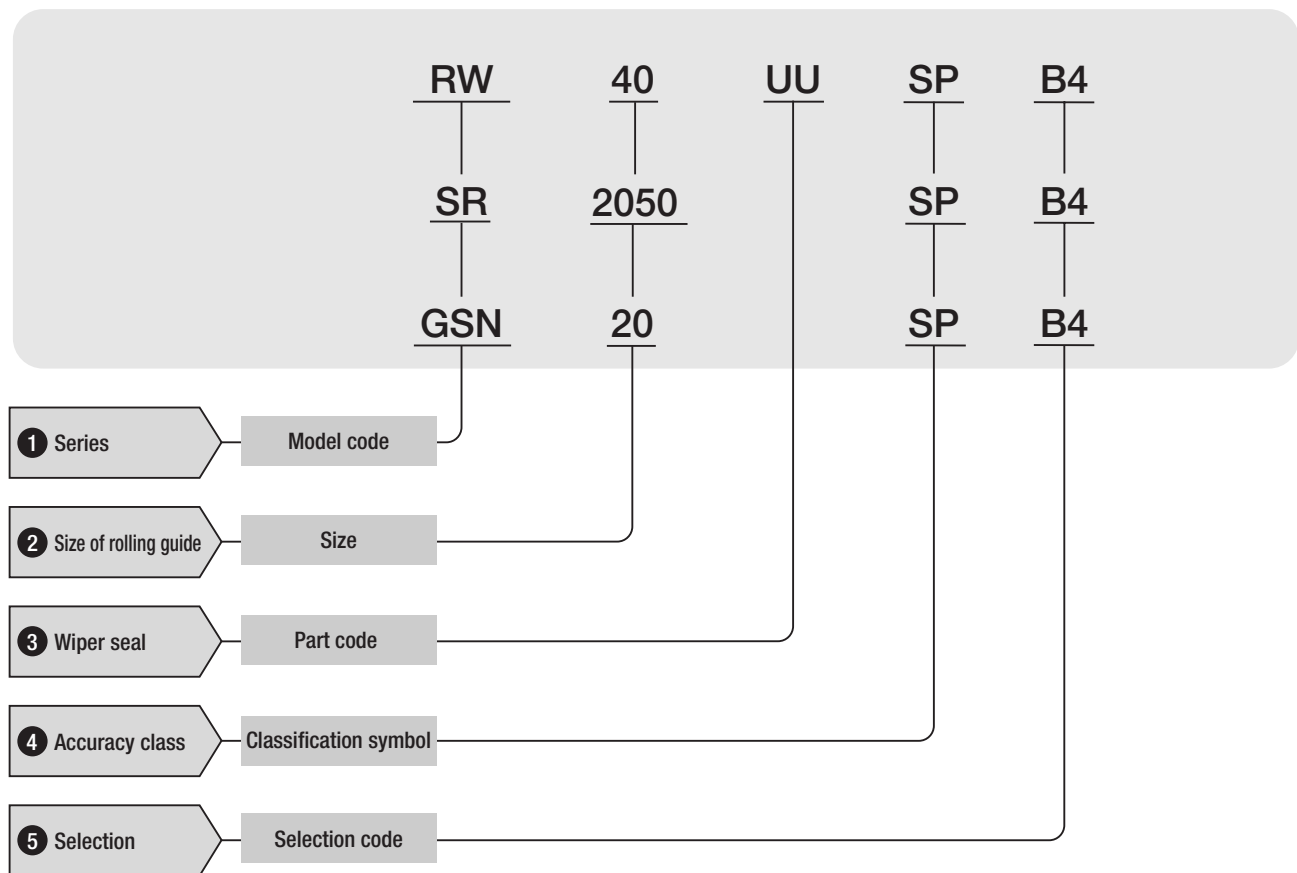


RW, RWB, SR, GSN



● Identification number and specification

The specification of Roller Way is indicated by the identification number, consisting of a model code, a size, a part code, a classification symbol and a selection code.



1 Series

Roller Way RW : **RW**
 Roller Way RW Inch series : **RWB**
 Roller Way SR : **SR**
 Roller Way GSN : **GSN**

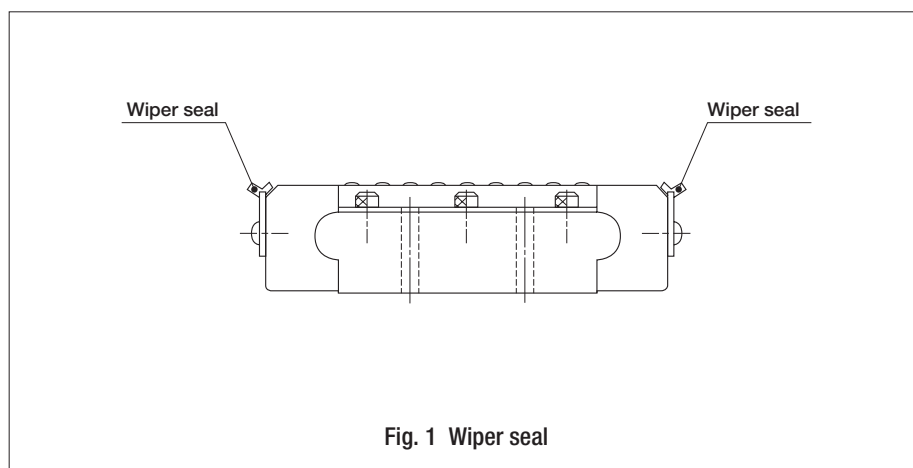
2 Size of rolling guide

Indicate the representative width in mm. For the inch series, indicate the width in the unit of 1/16 inch.

3 Wiper seal

Without wiper seal : No symbol
 With wiper seals : **UU**

This item applies to Roller Way RW, and wiper seals are mounted in the direction of linear motion. These wiper seals are made of double-lip shaped special synthetic rubber for effectively wiping out foreign substances. (See Fig. 1.)



4 Accuracy class

Ordinary : No symbol
 High : **H**
 Precision : **P**
 Super precision : **SP**

For details of accuracy, see Table 3.

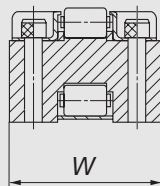
RW, RWB, SR, GSN



5 Selection

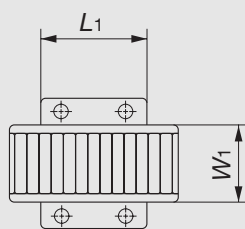
When multiple Roller Ways are assembled on the same plane, it is recommended to assemble Roller Ways with the same selection code which have the same range of dimensional tolerance of H as shown in Table 3 in order to achieve uniform load distribution on Roller Ways. However, when the dimensional tolerance of H is not specified, indicate the classification symbol only.

Table 1 Dimensional tolerance of width W of Roller Way RW

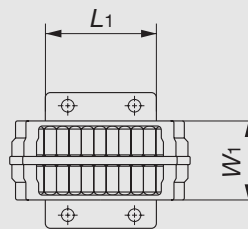


Model number		Tolerance of width W	
Metric series	Inch series	mm	inch
RW 26	RWB 14	0	0
RW 30	RWB 16	-0.05	-0.002
RW 40	RWB 24		
RW 50	RWB 32	0	0
RW 70	RWB 48	-0.07	-0.003
RW 95	RWB 64	0	0
		-0.10	-0.004

Table 2 Dimensional tolerances of width W_1 and length L_1 of Roller Ways SR and GSN



Roller Way SR



Roller Way GSN

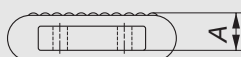
unit : mm

Model number		Tolerance of width W_1	Tolerance of length L_1
SR 1540	GSN 15	0 -0.2	0 -0.2
SR 2050	GSN 20		
SR 2560	GSN 25		
SR 3270	GSN 32		
SR 4090	GSN 40		
SR 50125	GSN 50	0 -0.3	0 -0.3

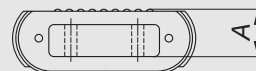
Table 3 Symbols and dimensional tolerances of height *H* and assembly height *A*



Roller Way RW



Roller Way SR



Roller Way GSN

Accuracy class	Item	Symbol		Dimensional tolerance of height <i>H</i> and assembly height <i>A</i>	
		Classification symbol	Selection code	mm	inch
Ordinary ⁽¹⁾	—	—	—	0 ~ -0.010	—
High	H	E 5 E10		0 ~ -0.005	0 ~ -0.0002
				-0.005 ~ -0.010	-0.0002 ~ -0.0004
Precision	P	C 3 C 6 C 9		0 ~ -0.003	0 ~ -0.00012
				-0.003 ~ -0.006	-0.00012 ~ -0.00024
				-0.006 ~ -0.009	-0.00024 ~ -0.00036
Super precision ⁽²⁾	SP	B 2 B 4 B 6 B 8 B10		0 ~ -0.002	0 ~ -0.00008
				-0.002 ~ -0.004	-0.00008 ~ -0.00016
				-0.004 ~ -0.006	-0.00016 ~ -0.00024
				-0.006 ~ -0.008	-0.00024 ~ -0.00032
				-0.008 ~ -0.010	-0.00032 ~ -0.00040

Note⁽¹⁾ : Applicable to Roller Ways SR and GSN.

⁽²⁾ : Not applicable to RW 70, RW 95, RWB 48, RWB 64, SR 50125 and GSN 50.



Load Rating

The load ratings of Roller Way are defined for downward load. Summarized descriptions of load ratings are given below. For details of load rating definitions and load calculations, see "General description".

● Basic dynamic load rating C

The basic dynamic load rating is defined as the constant load both in direction and magnitude under which a group of identical Roller Ways are individually operated and 90% of the units in the group can travel 100×10^3 meters free from material damage due to rolling contact fatigue.

● Basic static load rating C_0

The basic static load rating is defined as the static load that gives a prescribed constant contact stress at the center of the contact area between the rolling element and raceway receiving the maximum load.

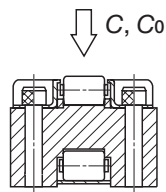


Fig. 2 Direction of load rating

Precautions for Use

① Mating raceways

Recommended surface hardness and roughness of mating raceways are shown in Table 4, and also recommended minimum effective hardening depth of the raceways is shown in Tables 5 and 6.

Table 4 Surface hardness and roughness of mating raceways

Item	Recommended value	Remark
Surface hardness	58~64HRC	When the raceway hardness is less than the necessary hardness, multiply load ratings by the hardness factor.
Surface roughness	0.2 μ mRa or better (0.8 μ mRy or better)	When the required accuracy is not severe, a surface roughness of about 0.8 μ mRa (3.2 μ mRy) is adequate.

Table 5 Minimum effective hardening depth

unit : mm

Model number		Recommended minimum effective hardening depth
RW 26	RWB 14	0.8
RW 30	RWB 16	1.0
RW 40	RWB 24	1.5
RW 50	RWB 32	2.0
RW 70	RWB 48	2.5
RW 95	RWB 64	3.0

Table 6 Minimum effective hardening depth

unit : mm

Model number		Recommended minimum effective hardening depth
SR 1540	GSN 15	0.8
SR 2050	GSN 20	
SR 2560	GSN 25	1.0
SR 3270	GSN 32	
SR 4090	GSN 40	1.5
SR 50125	GSN 50	2.0

RW, RWB, SR, GSN

E

② Accuracy of mating surfaces

Recommended accuracy of mating surfaces is shown in Tables 7 and 8.

Table 7 Accuracy of mating surfaces of Roller Way RW

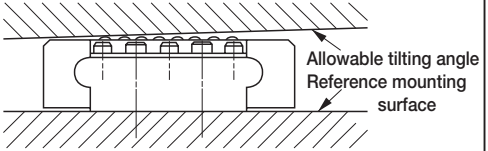
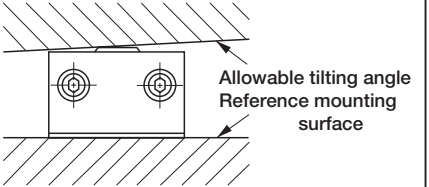
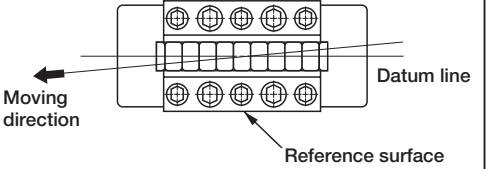
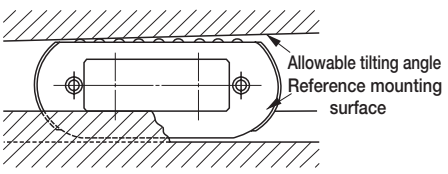
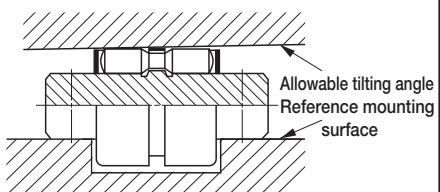
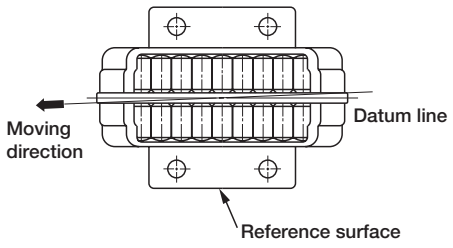
Item	Recommended value
	<p>0.02/100 or less</p>
	<p>0.015/100 or less</p>
	<p>0.05/100 or less</p>

Table 8 Accuracy of mating surfaces of Roller Ways SR and GSN

Item	Recommended value
	0.02/100 or less
	0.015/100 or less
	0.05/100 or less

③ Grooving of mating mounting surface of Roller Ways SR and GSN

When Roller Way SR or GSN is mounted on a grooved mating mounting surface, the depth E of the groove should be deeper than the dimension from the lower surface of race plate to the bottom surface of Roller Way SR or GSN, making a room for the purpose of oil bath. (See Fig. 3.)

In addition to the above, for SR type, clearance fit or similar clearance between the groove width W and the width of SR type W_1 is recommended. Then, the relative positions of the groove and the reference surface should be examined so that the center of W_1 dimension should be positioned around the center of the groove.

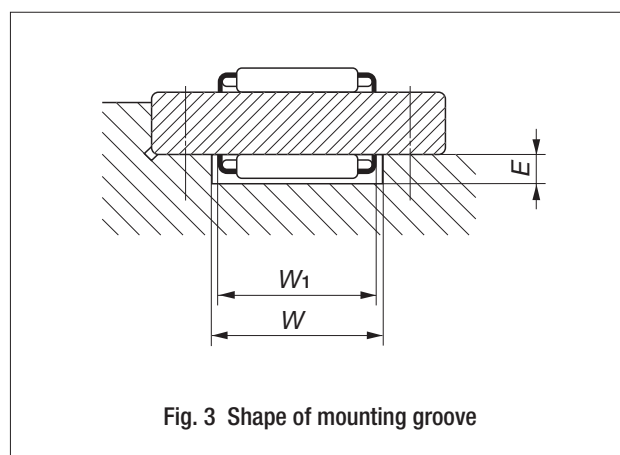


Fig. 3 Shape of mounting groove

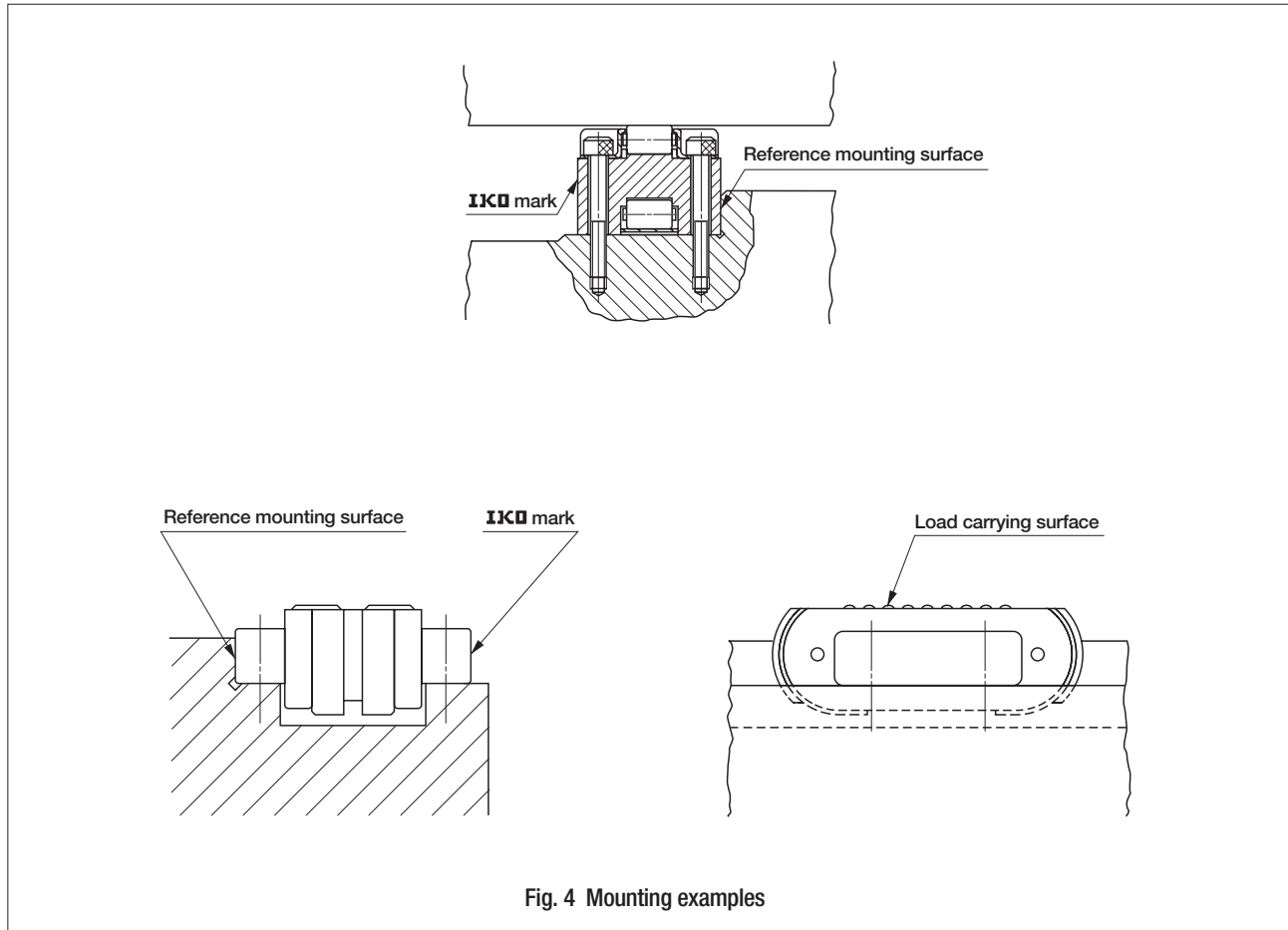


Precautions for Mounting

① Reference mounting surface

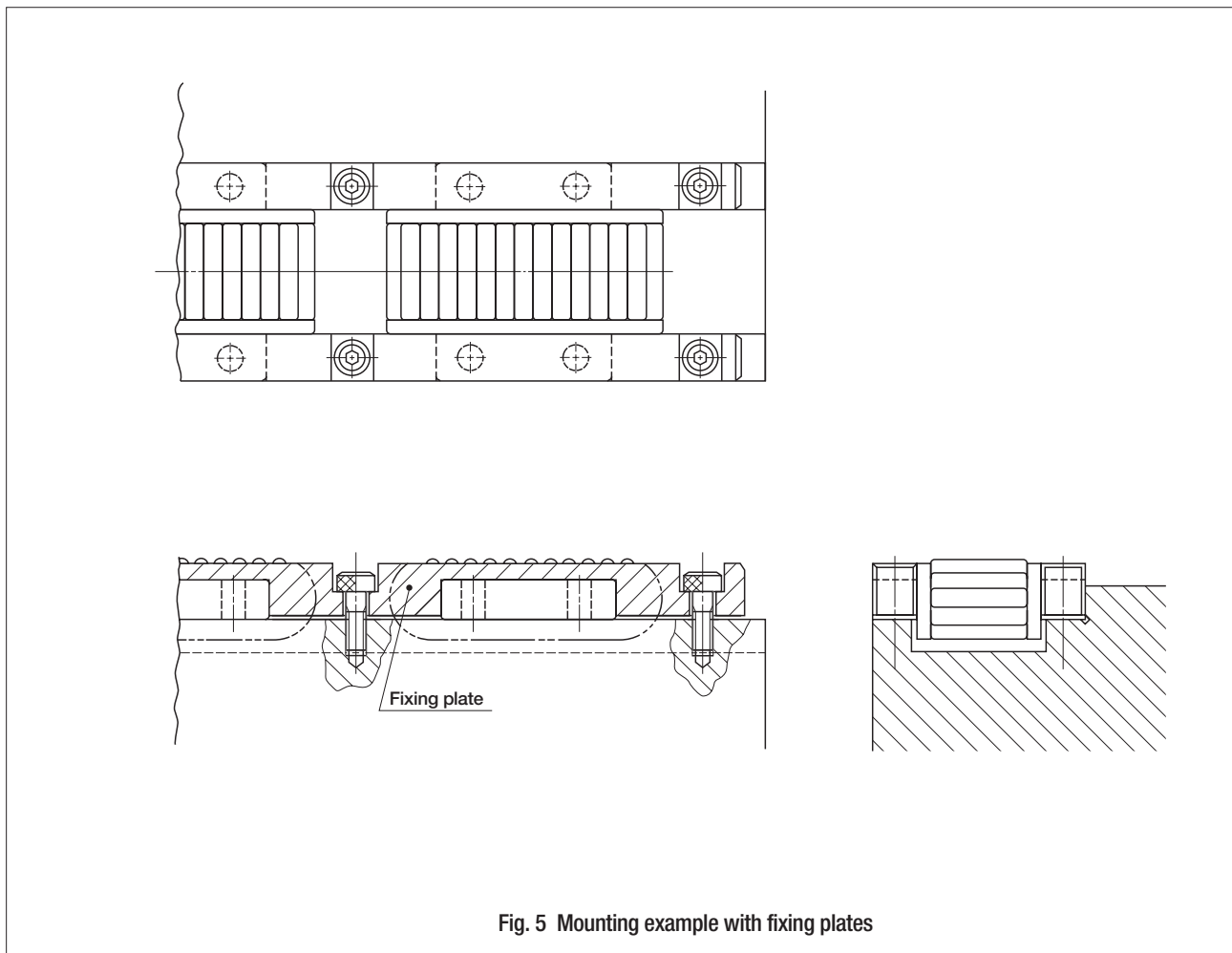
To mount Roller Way correctly, use the reference mounting surface opposite to the **IKO** mark on the race plate. (See Fig. 4.)

The load carrying surface of Roller Way is always at the upper side in sight of **IKO** mark.



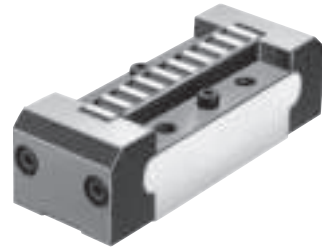
② Mounting method of Roller Ways SR and GSN

The race plate is mounted directly to the bed or table with mounting bolts, or is fixed with special fixing plates as shown in Fig.5. For mounting Roller Way SR, it is recommended to use fixing plates.



IKO Roller Way

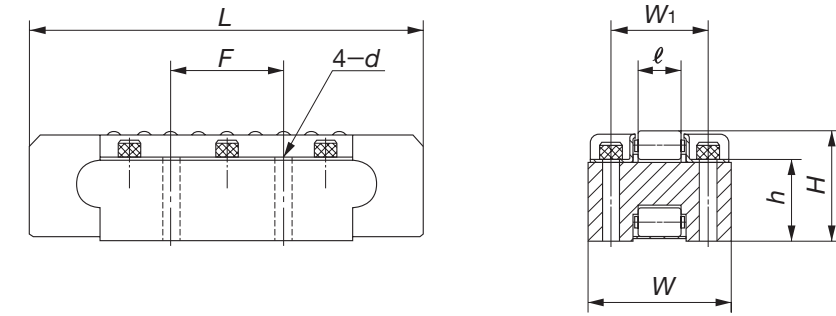
RW



Model number	Mass (Ref.) g	Nominal dimensions mm								Basic dynamic load rating C N	Basic static load rating C ₀ N
		W	H	L	ℓ	F	W ₁	h	d		
RW 26	74	26	14	50	6	19	16	10	3.4	25 000	40 100
RW 30	179	30	19	70	7.5	25.4	19	14	4.5	39 800	71 200
RW 40	740	40	28	100	11.3	38.1	26	21	5.5	85 700	160 000
RW 50	1 750	50	38	140	15	50.8	35	28.5	6.6	154 000	314 000
RW 70	5 260	70	57	200	22.5	76.2	48	42.5	9.0	306 000	638 000
RW 95	12 700	95	76	270	30	101.6	65	56.5	11.0	514 000	1 130 000

IKO Roller Way

RWB (Inch series)

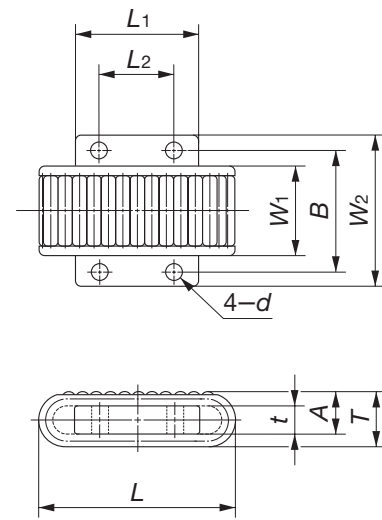


Model number	Mass (Ref.) g	Nominal dimensions inch/mm								Basic dynamic load rating C N	Basic static load rating C ₀ N
		W	H	L	ℓ	F	W ₁	h	d		
RWB 14	91	⁷ / ₈ 22.225	⁹ / ₁₆ 14.288	1.97 50	0.236 6	³ / ₄ 19.050	⁴³ / ₆₄ 17.066	0.41 10.4	0.125 3.2	25 000	40 100
RWB 16	227	1 25.400	³ / ₄ 19.050	2.76 70	0.295 7.5	1 25.400	¹³ / ₁₆ 20.638	0.56 14.2	0.125 3.2	39 800	71 200
RWB 24	730	1 ¹ / ₂ 38.100	1 ¹ / ₈ 28.575	3.94 100	0.445 11.3	1 ¹ / ₂ 38.100	1 ⁷ / ₃₂ 30.956	0.85 21.5	0.180 4.6	85 700	160 000
RWB 32	1 770	2 50.800	1 ¹ / ₂ 38.100	5.51 140	0.591 15	2 50.800	1 ⁵ / ₈ 41.275	1.12 28.5	0.206 5.2	154 000	314 000
RWB 48	5 670	3 76.200	2 ¹ / ₄ 57.150	7.88 200	0.886 22.5	3 76.200	2 ⁷ / ₁₆ 61.912	1.68 42.8	0.266 6.8	306 000	638 000
RWB 64	13 500	4 101.600	3 76.200	10.63 270	1.181 30	4 101.600	3 ¹ / ₄ 82.550	2.24 57.0	0.328 8.3	514 000	1 130 000

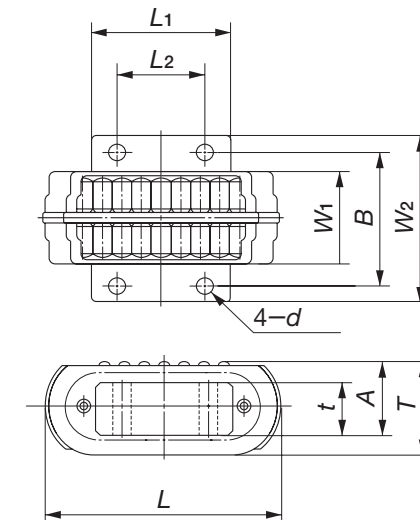
IKO Roller Way



SR
GSN



Roller Way SR



Roller Way GSN

Model number		Mass (Ref.) g	Nominal dimensions mm		
			W ₁	W ₂	L
SR 1540	—	62	15	30	40
—	GSN 15	82	15	30	40
SR 2050	—	120	20	36	50
—	GSN 20	145	20	36	50
SR 2560	—	210	25	45	60
—	GSN 25	260	25	45	60
SR 3270	—	345	32	55	70
—	GSN 32	413	32	55	70
SR 4090	—	750	40	68	87
—	GSN 40	940	40	68	92
SR 50125	—	1 870	50	82	125
—	GSN 50	1 800	50	82	121

Nominal dimensions mm							Basic dynamic load rating C N	Basic static load rating C ₀ N
A	T	L ₁	L ₂	B	d	t		
11	15	20	12	23	3.3	7	26 500	45 900
15	20	19	12	23	3.4	11	22 300	36 000
12	16	30	18	29	3.8	8	42 800	96 300
15	20	29	18	29	3.4	11	40 100	87 900
14	19	35	20	36	4.8	9	67 300	156 000
18	24.5	35	20	36	4.5	13	58 900	131 000
15	20	45	27	44	5.5	10	97 500	271 000
18	24.5	45	27	44	4.5	13	88 800	241 000
21	28	55	35	54	6.5	14	143 000	373 000
25	34	54	35	54	5.5	18	133 000	337 000
30	40	78	50	66	8.5	20	252 000	673 000
30	42	77	50	66	6.6	20	242 000	634 000

Flat Roller Cage

FT / FTW...A

IKD Flat Roller Cage is a precision linear motion rolling guide consisting of a high accuracy cage and very precise rollers and features very low sectional height. In this series, both single row type and double row type with a 90° angle are available. The cage material is steel or synthetic resin.

Smooth operation

As the cage precisely guides the rollers, the frictional resistance is very low without stick-slip, and stable linear motion is obtained.

Low noise

Cages made of synthetic resin are also available. This type is most suitable for applications where low noise is required.

Large load rating

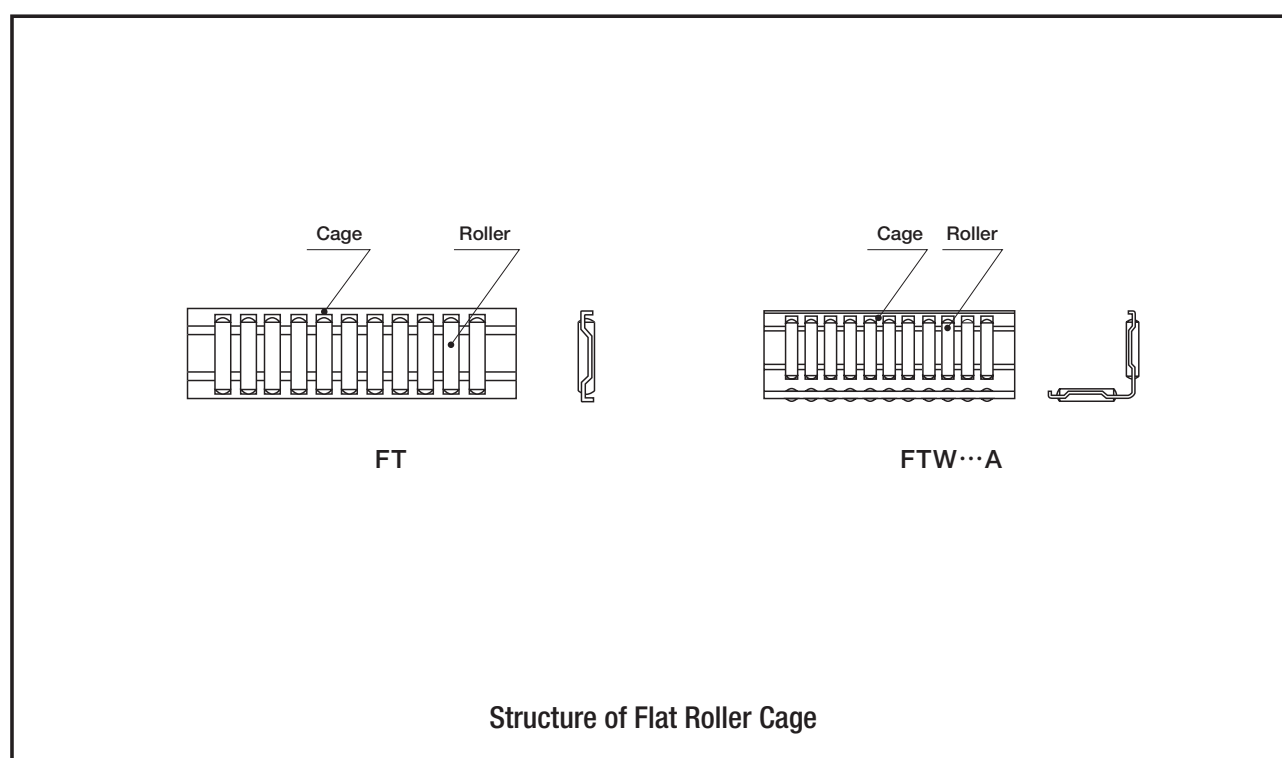
Needle rollers are assembled in a cage with a small pitch distance, so load ratings are large.

Easy handling

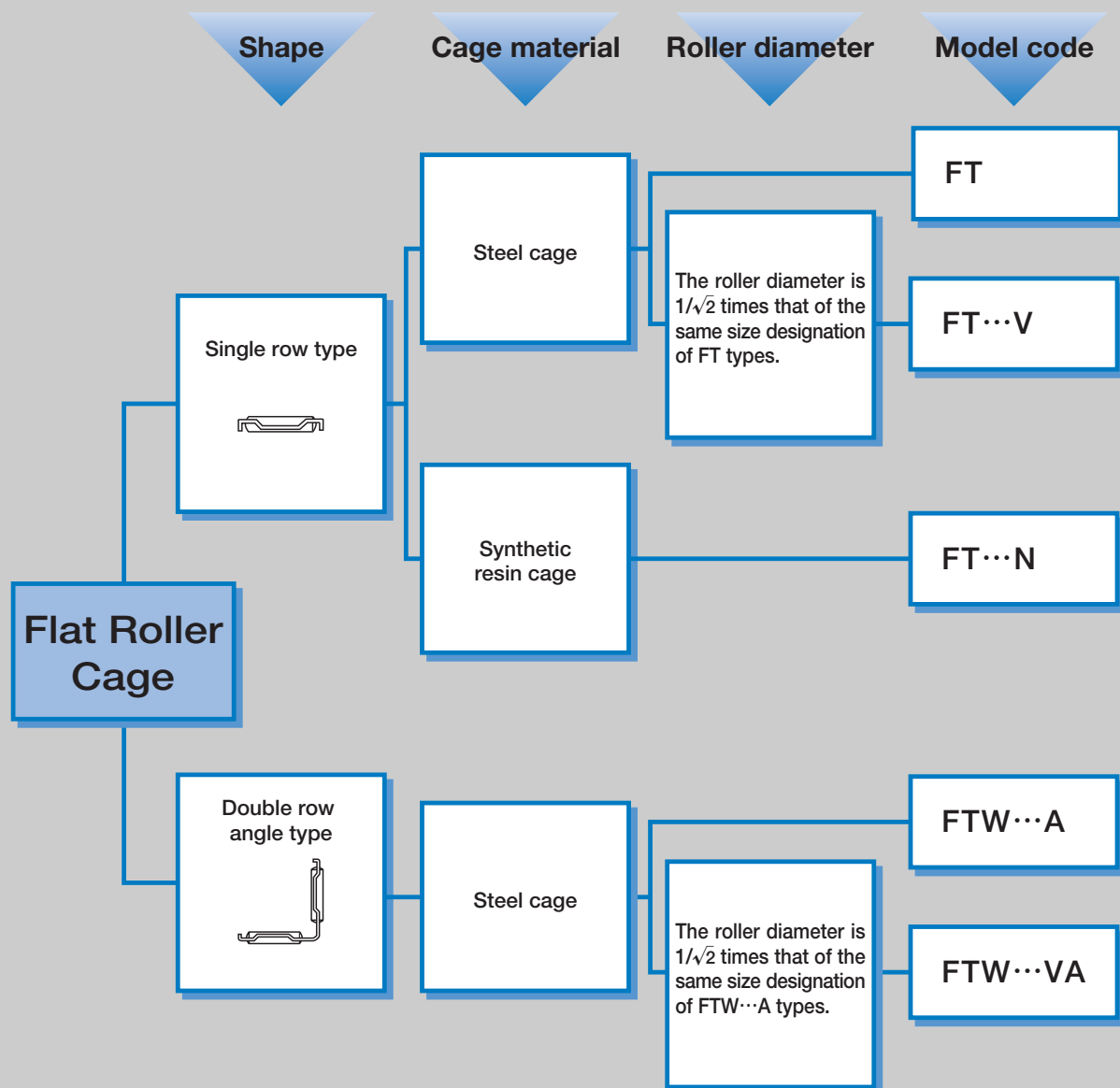
The rollers are retained in a cage securely, allowing easy handling and assembly.

Adaptability to conventional plain guide ways

Single row and double row types are standardized and can be easily used to modify the conventional plain guide ways of machine tools, etc. into rolling guide type without large-scale redesign of the bed.



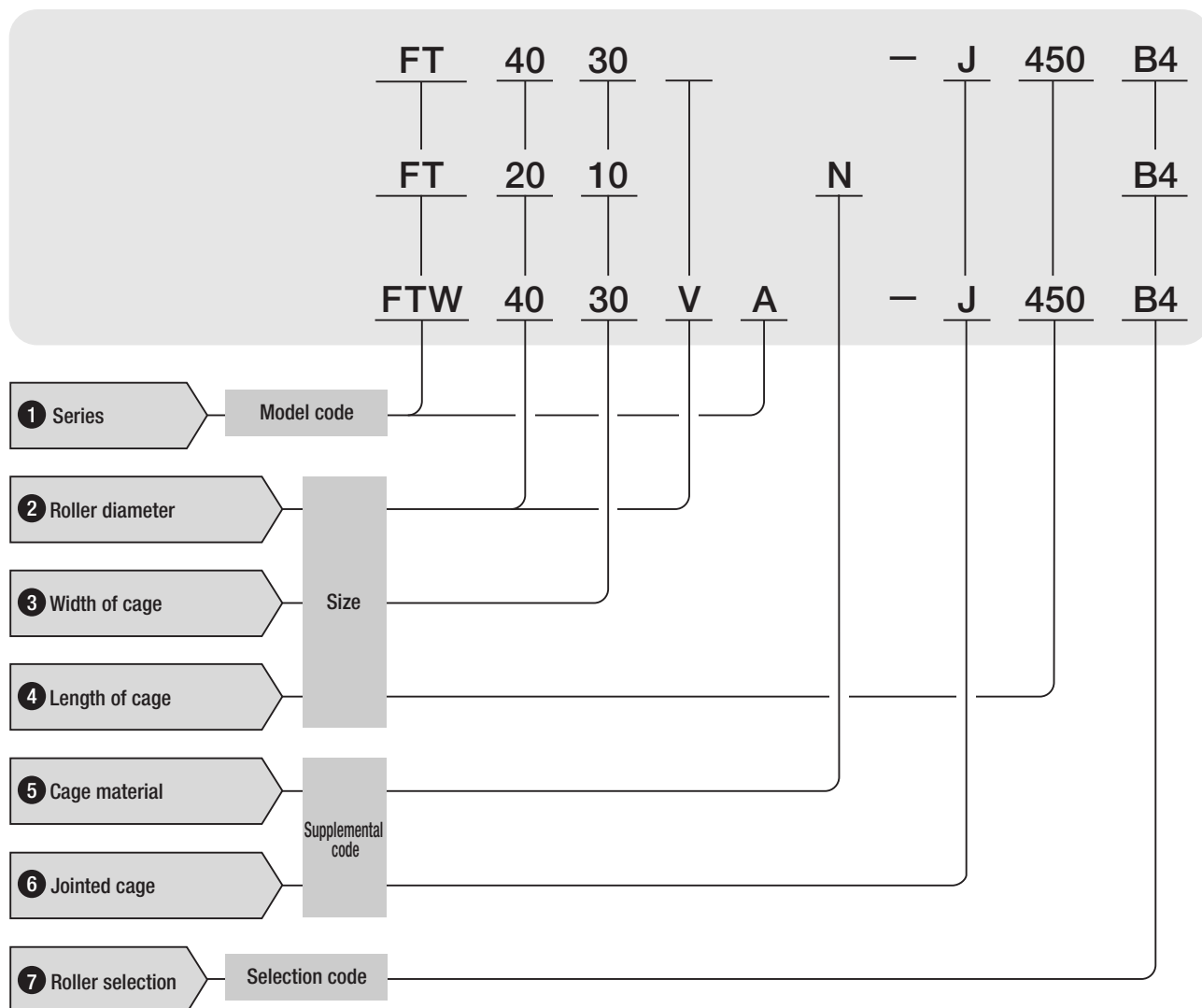
Flat Roller Cage series



FT, FTW
E

● Identification number and specification

The specification of Flat Roller Cage is indicated by the identification number, consisting of a model code, a size, any supplemental codes and a selection code.



1 Series

Single row : FT
Double rows : FTW...A

2 Roller diameter

Indicate a ten-fold numeric value of the roller diameter (mm). When symbol V is attached in the model code, indicate an integer obtained by multiplying the roller diameter(mm) by $10\sqrt{2}$.

3 Width of cage

Indicate the width of cage in mm.

4 Length of cage

Indicate the length of cage in mm.

5 Cage material

Steel cage : No symbol
 Synthetic resin cage : N

Specify the material of cage. For applicable models and sizes, see the "model number" column in the table of dimensions on page E-228. The maximum operating temperature for the synthetic resin type is 100°C. Continuous operation is possible at up to 80°C.

6 Jointed cage

Not jointed : No symbol
 Jointed : J

The overall length of the cage is also indicated. Specify this item when the standard length is exceeded.

Jointed Flat Roller Cages made from steel are available to extend the overall length of a cage. If the jointing specification is required, indicate "J" and the necessary overall length in millimeters in the identification number. Available maximum length of jointed Flat Roller Cage is shown in Table 1. If a longer Flat Roller Cage than the maximum length shown in Table 1 is required, consult **IKO**.

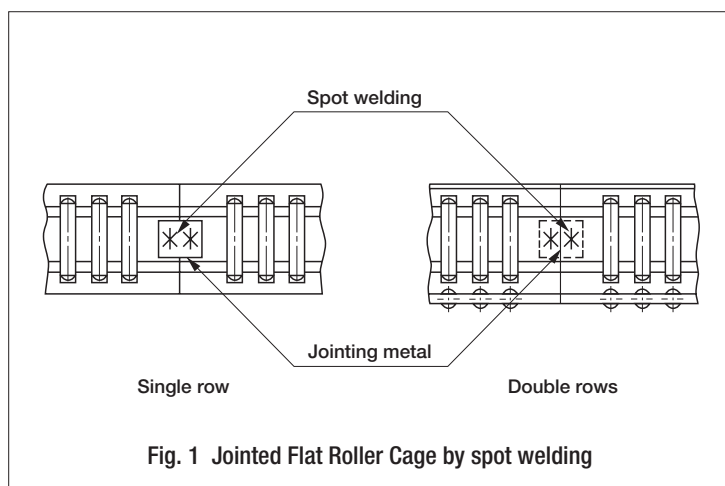


Table 1 Maximum length of jointed Flat Roller Cage
 unit : mm

Model number	Maximum length of jointed cage
FT 2010	300
FT 2515	
FT 3020	
FT 3525	375
FT 4030	600
FT 4035	
FT 4026 V	
FT 5038	1 000
FT 5043	
FT 5030 V	
FT 10080	
FT 10060 V	
FT 200120	1 500
FT 200100 V	1 000
FTW 4030 VA	600
FTW 5045 A	1 000
FTW 5050 A	
FTW 5035 VA	
FTW 10095 A	1 500
FTW 10070 VA	
FTW 200150 A	
FTW 200120 VA	

FT, FTW

E

7 Roller selection

See Table 2.

Tolerances of the roller diameter of Flat Roller Cage are shown in Table 2. Any standard tolerance class rollers will be supplied unless otherwise specified.

For a uniform load distribution, Flat Roller Cages with the same range of roller tolerance (the same selection code) are recommended for assembly. When the particular tolerance ranges are required, add its selection code onto the identification number.

Table 2 Selection classification of rollers

unit : μm

Selection classification	Selection code	Tolerance of mean diameter of rollers ⁽¹⁾
Standard	B2	0 ~ -2
	B4	-2 ~ -4
	B6	-4 ~ -6
	B8	-6 ~ -8
Semi-standard	A1	0 ~ -1
	A2	-1 ~ -2
	A3	-2 ~ -3
	A4	-3 ~ -4
	A5	-4 ~ -5
	A6	-5 ~ -6

Note⁽¹⁾ : The out of roundness and cylindricity conform to JIS B 1506 "Rollers for Roller Bearings".

Load Rating

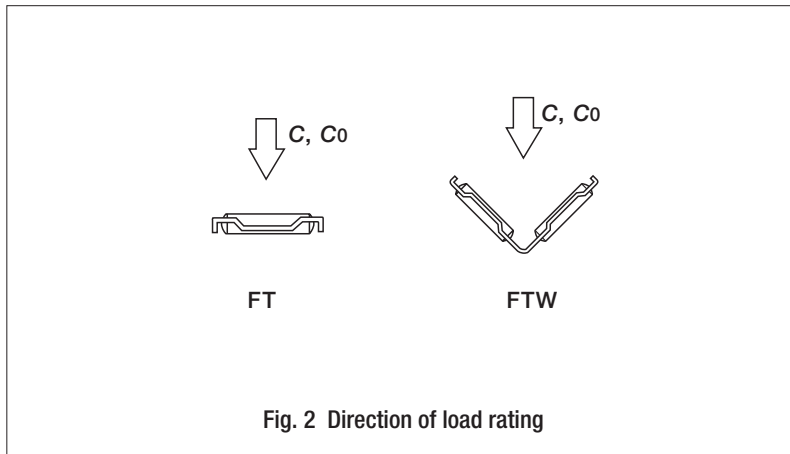
The load ratings of Flat Roller Cage are defined for downward load. Summarized descriptions of load ratings are given below. For details of load rating definitions and load calculations, see "General description".

● Basic dynamic load rating C

The basic dynamic load rating is defined as the constant load both in direction and magnitude under which a group of identical Flat Roller Cages are individually operated and 90% of the units in the group can travel 100×10^3 meters free from material damage due to rolling contact fatigue.

● Basic static load rating C_0

The basic static load rating is defined as the static load that gives a prescribed constant contact stress at the center of the contact area between the rolling element and raceway receiving the maximum load.



Precautions for Use

① Mating raceways

Recommended surface hardness and roughness of mating raceways are shown in Table 3, and also recommended minimum effective hardening depth of the raceways is shown in Table 4.

Table 3 Surface hardness and roughness of mating raceways

Item	Recommended value	Remark
Surface hardness	58~64HRC	When the raceway hardness is less than the necessary hardness, multiply load ratings by the hardness factor.
Surface roughness	0.2 μ mRa or better (0.8 μ mRy or better)	When the required accuracy is not severe, a surface roughness of about 0.8 μ mRa (3.2 μ mRy) is adequate.

Table 4 Minimum effective hardening depth unit : mm

Roller diameter		Recommended minimum effective hardening depth
over	incl.	
—	3	0.5
3	4	0.8
4	5	1.0
5	8	1.5
8	10	2.0
10	14.142	2.5
14.142	20	3.5

② For V-Flat configuration where the flat and the 90° angle surfaces are present

Either FT and FTW...VA types or FT...V and FTW...A types are assembled after accurately lapping the raceways of bed and table on each other as shown in Fig. 3. The combinations of Flat Roller Cages are shown in Table 5.

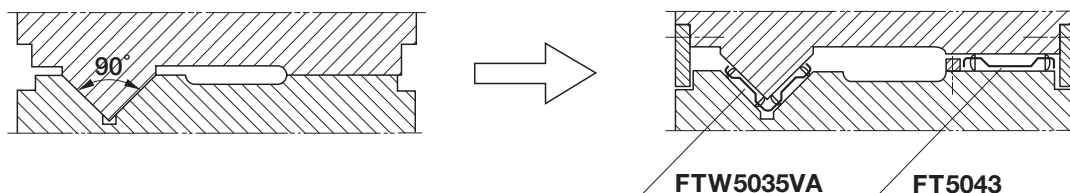


Fig. 3 Mounting example with flat and 90° angle surfaces

Table 5 Combination of Flat Roller Cages

unit : mm

Combination number	For flat surface		For 90° angle surface	
	Model number	Roller diameter D_w	Model number	Roller diameter D_w
1	FT 4030	4	FTW 4030 VA	2.828
2	FT 4035	4	FTW 4030 VA	2.828
3	FT 5038	5	FTW 5035 VA	3.535
4	FT 5043	5	FTW 5035 VA	3.535
5	FT 10060 V	7.071	FTW 5045 A	5
6	FT 10060 V	7.071	FTW 5050 A	5
7	FT 10080	10	FTW 10070 VA	7.071
8	FT 200100 V	14.142	FTW 10095 A	10
9	FT 200120	20	FTW 200120 VA	14.142

FT, FTW

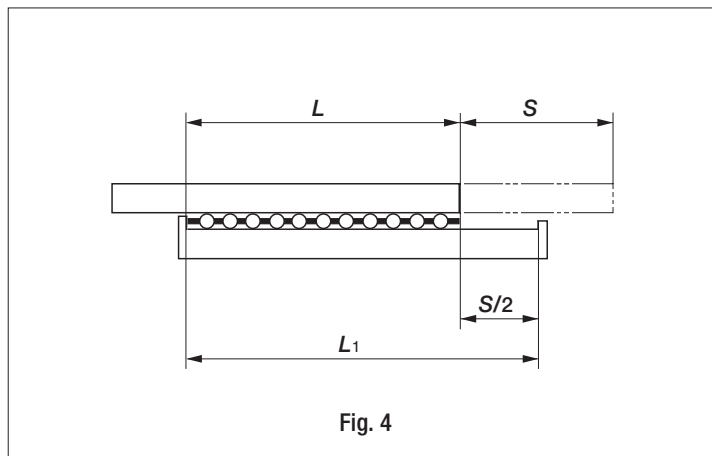
E

3 Stroke length and cage length

When the table or bed is stroked in linear direction, Flat Roller Cage moves 1/2 distance of the stroke length of the table or bed in the same direction as shown in Fig.4. Therefore, the relationship among the raceway length, the stroke length and the cage length is given as in the following formula.

$$L_1 = \frac{S}{2} + L \dots \dots \dots (1)$$

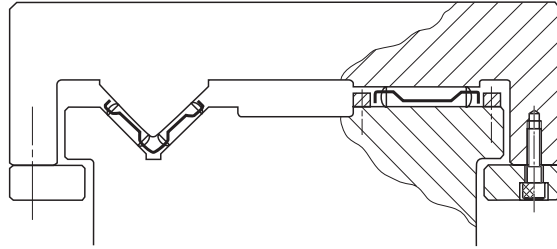
where, L_1 : Raceway length, mm
 S : Stroke length, mm
 L : Cage length, mm



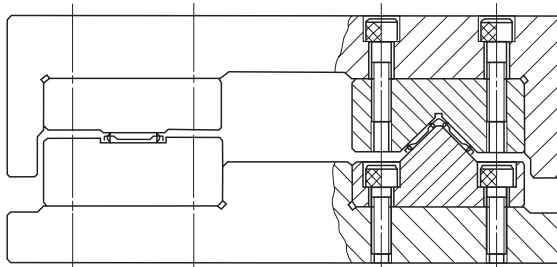
Precautions for Mounting

Flat Roller Cages are generally mounted as shown in Fig. 5. When mounting separate raceways, which are heat-treated and ground, onto the table and bed (See mounting examples 2 and 3 in Fig.5.), be careful not to cause deformation on the raceways by over tightening mounting bolts.

1 General mounting



2 With separate raceways



3 When overhung load is applied

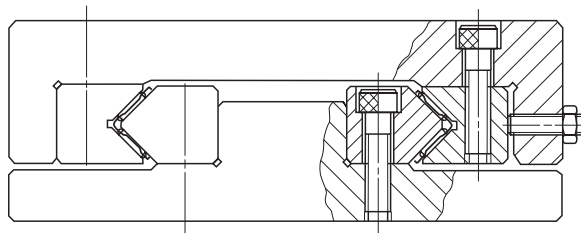
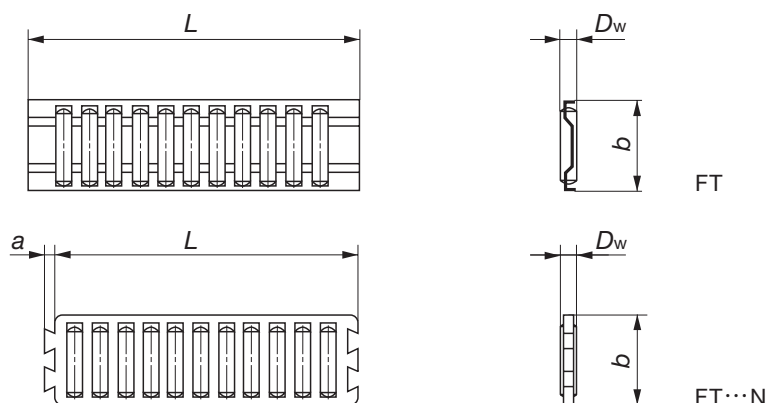


Fig. 5 Mounting examples

IKO Flat Roller Cage

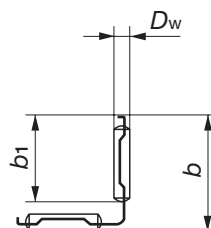
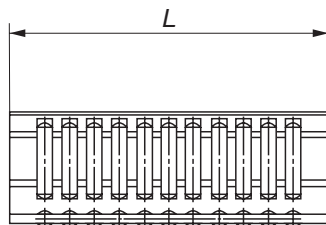
Single row : FT



Model number		Mass (Ref.) g	Nominal dimensions mm				Basic dynamic load rating C N	Basic static load rating Co N
Steel cage	Synthetic resin cage		D_w	b	L	a		
—	FT 2010N	1.63	2	10	32	2	7 650	19 700
FT 2010 - 32	—	1.91	2	10	32	—	8 560	22 800
FT 2010 - 100	—	5.8	2	10	100	—	19 500	68 300
—	FT 2515N	4.3	2.5	15	45	2.5	15 100	40 900
FT 2515 - 45	—	5.6	2.5	15	45	—	19 200	55 900
FT 2515 - 100	—	11.6	2.5	15	100	—	32 300	112 000
—	FT 3020N	9.7	3	20	60	3	27 400	78 300
FT 3020 - 60	—	12.5	3	20	60	—	32 200	96 100
—	FT 3525N	18.6	3.5	25	75	3.5	44 300	131 000
FT 3525 - 75	—	23	3.5	25	75	—	50 300	155 000
FT 4030 -150	—	73	4	30	150	—	107 000	380 000
FT 4035 - 150	—	86	4	35	150	—	120 000	443 000
FT 4026V - 150	—	45	2.828	26	150	—	81 900	345 000
FT 5038 - 250	—	195	5	38	250	—	221 000	846 000
FT 5043 - 250	—	200	5	43	250	—	254 000	1 010 000
FT 5030V - 250	—	103	3.535	30	250	—	149 000	649 000
FT 10080 - 500	—	1 610	10	80	500	—	1 130 000	4 340 000
FT 10060V - 500	—	870	7.071	60	500	—	681 000	2 890 000
FT 200120 - 500	—	4 940	20	120	500	—	2 540 000	7 620 000
FT 200100V - 500	—	2 860	14.142	100	500	—	1 700 000	5 780 000

IKO Flat Roller Cage

Double row : FTW...A



FTW...A

Model number	Mass (Ref.) g	Nominal dimensions mm				Basic dynamic load rating C	Basic static load rating Co
		D_w	b	L	b_1	N	N
FTW 4030VA - 150	94	2.828	30	150	24.5	107 000	488 000
FTW 5045A - 250	410	5	45	250	35.5	297 000	1 230 000
FTW 5050A - 250	460	5	50	250	40.5	333 000	1 430 000
FTW 5035VA - 250	220	3.535	35	250	29	195 000	917 000
FTW 10095A - 500	3 360	10	95	500	77	1 480 000	6 140 000
FTW 10070VA - 500	1 790	7.071	70	500	56.5	892 000	4 080 000
FTW 200150A - 500	10 200	20	150	500	118	3 330 000	10 800 000
FTW 200120VA - 500	5 940	14.142	120	500	96	2 230 000	8 170 000

FT, FTW

E

Other Product

Cam Follower Roller Follower



(E-230)

CAM FOLLOWER ROLLER FOLLOWER



Description of Cam Follower.....F-2

Dimension Table of Cam Follower.....F-18

Description of Roller Follower.....F-76

Dimension Table of Roller FollowerF-84

In the table of dimensions, standard products are referred to using identification numbers marked with . The identification numbers marked with refer to our semi-standard products.



CAM FOLLOWERS

- Standard Type Cam Followers
- Solid Eccentric Stud Type Cam Followers
- Eccentric Type Cam Followers
- Thrust Disk Type Cam Followers
- Capilube Cam Followers
- Centralized Lubrication Type Cam Followers
- Easy Mounting Type Cam Followers
- Heavy Duty Type Cam Followers
- Miniature Type Cam Followers
- Thrust Disk Type Miniature Cam Followers





Structure and Features

IKO Cam Followers are bearings with a stud incorporating needle rollers in a thick walled outer ring. These bearings are designed for outer ring rotation, and have superior rotational performance with a small coefficient of friction and high load capacity. As studs already have threads or steps, they are easy to mount.

Cam Followers are follower bearings for cam mechanisms and linear motions and have high rigidity and

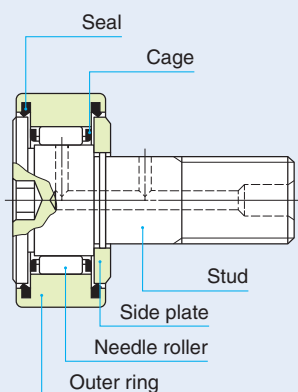
high accuracy. They are, therefore, used widely for machine tools, industrial robots, electronic devices, and OA equipment.

Stainless steel made Cam Followers are superior in corrosion resistance and suitable for applications in environments where oil cannot be used or water splashed, and in clean rooms.

Structure of Cam Followers

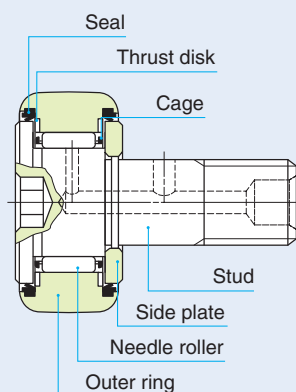
Structure of Standard Type Cam Follower

CF...BUU



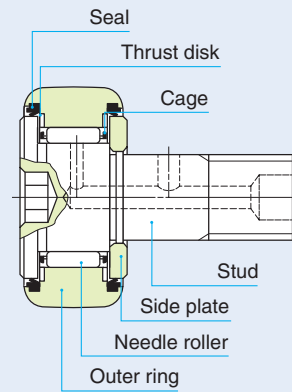
Structure of Thrust Disk Type Cam Follower

CF...WBUUR



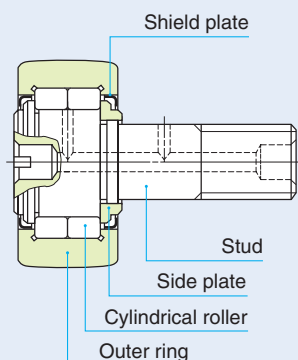
Structure of Capilube Cam Follower(1)

CF...WBUUR/SG



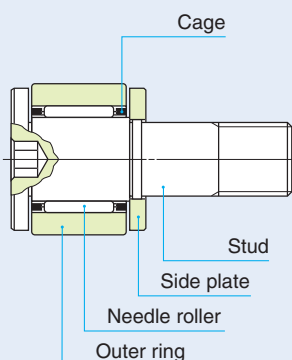
Structure of Heavy Duty Type Cam Follower

NUCF...R



Structure of Miniature Type Cam Follower

CFS



Note(1) For the detail of Capilube, please refer page A55.

CF, NUCF, CFS, CRH





Types

For Cam Followers, the types shown in Table 1 are available.

Table 1 Type of Cam Followers

Type					With cage		Full complement		
					Crowned outer ring	Cylindrical outer ring	Crowned outer ring	Cylindrical outer ring	
Metric CF series	Standard Type Cam Follower CF	High carbon steel made	With hexagon hole	Shield type	CF ... B R	CF ... B	CF ...VB R	CF ...VB	
				Sealed type	CF ... BUUR	CF ... BUU	CF ...VBUUR	CF ...VBUU	
			With screwdriver slot	Shield type	CF ... R	CF ...	CF ...V R	CF ...V	
				Sealed type	CF ... UUR	CF ... UU	CF ...V UUR	CF ...V UU	
		Stainless steel made	With hexagon hole	Shield type	CF ...FB R	CF ...FB	—	—	
				Sealed type	CF ...FBUUR	CF ...FBUU	—	—	
			With screwdriver slot	Shield type	CFES... B R	CFES... B	—	—	
				Sealed type	CFES... BUUR	CFES... BUU	—	—	
	Solid Eccentric Stud Type Cam Follower CFES	High carbon steel made	With hexagon hole	Shield type	CFES... B R	CFES... B	—	—	
				Sealed type	CFES... BUUR	CFES... BUU	—	—	
			With screwdriver slot	Shield type	CFES... R	CFES	—	—	
				Sealed type	CFES... UUR	CFES... UU	—	—	
		Eccentric Type Cam Follower CFE	High carbon steel made	With hexagon hole	Shield type	CFE ... B R	CFE ... B	CFE ...VB R	CFE ...VB
					Sealed type	CFE ... BUUR	CFE ... BUU	CFE ...VBUUR	CFE ...VBUU
				With screwdriver slot	Shield type	CFE ... R	CFE ...	CFE ...V R	CFE ...V
					Sealed type	CFE ... UUR	CFE ... UU	CFE ...V UUR	CFE ...V UU
	Thrust Disk Type Cam Follower CF...W	High carbon steel made	With hexagon hole	Shield type	CF ...WB R	—	—	—	
				Sealed type	CF ...WBUUR	—	—	—	
		Stainless steel made	With hexagon hole	Shield type	CF ...FWB R	—	—	—	
				Sealed type	CF ...FWBUUR	—	—	—	
	Centralized Lubrication Type Cam Follower CF-RU1, CF-FU1	High carbon steel made	With screwdriver slot	Sealed type	CF-RU1	CF-FU1	—	—	
	Easy Mounting Type Cam Follower CF-SFU	High carbon steel made	With screwdriver slot	Sealed type	—	CF-SFU	—	—	
	Capilube Cam Follower CF.../SG	High carbon steel made	With hexagon hole	Sealed type	CF...WBUUR/SG	—	—	—	
	Heavy Duty Type Cam Follower NUCF	High carbon steel made	With screwdriver slot	Shield type	—	—	NUCF... R	—	
Miniature CFS series	Miniature Type Cam Follower CFS	High carbon steel made	With hexagon hole	Shield type	—	CFS	—	CFS ... V	
		Stainless steel made		Shield type	—	CFS ...F	—	CFS ...FV	
	Thrust Disk Type Miniature Cam Follower CFS...W	High carbon steel made	With hexagon hole	Shield type	—	CFS ... W	—	—	
		Stainless steel made		Shield type	—	CFS ...FW	—	—	
Inch series	Inch series Cam Follower CR	High carbon steel made	With hexagon hole	Shield type	CR ... B R	CR ... B	CR ...VB R	CR ...VB	
				Sealed type	CR ... BUUR	CR ... BUU	CR ...VBUUR	CR ...VBUU	
			With screwdriver slot	Shield type	CR ... R	CR ...	CR ...V R	CR ...V	
				Sealed type	CR ... UUR	CR ... UU	CR ...V UUR	CR ...V UU	
	Inch series Heavy Duty Cam Follower CRH	High carbon steel made	With hexagon hole	Shield type	—	—	CRH ...VB R	CRH ...VB	
				Sealed type	—	—	CRH ...VBUUR	CRH ...VBUU	
			With screwdriver slot	Shield type	—	—	CRH ...V R	CRH ...V	
				Sealed type	—	—	CRH ...V UUR	CRH ...V UU	



Standard Type Cam Followers

These are the basic type bearings in IKO Cam Follower series. Models with stud diameters ranging from 3 to 30 mm are prepared, and are suitable for a wide range of applications.

Solid Eccentric Stud Type Cam Followers

The stud of these bearings is eccentric to the center axis of the outer ring. Thus, the position of the outer ring in the radial direction in relation to the mating track surface can easily be adjusted by turning the stud, and the load distribution on a number of cam follower outer rings used on the same track surface can be made uniform.

These are eccentric cam followers with a one-piece stud that can be mounted in the same mounting holes as those for Standard Type Cam Followers.

Eccentricity is 0.25 mm~0.6 mm.

Eccentric Type Cam Followers

In these bearings, an eccentric collar is assembled with the Cam Follower stud, enabling the outer ring to be positioned easily in the radial direction against the mating track surface.

Eccentricity is 0.4~1.5 mm.

Thrust Disk Type Cam Followers

These bearings have special resin thrust disk washers superior in wear and heat resistance between the sliding surfaces of outer ring shoulders, stud head and side plate. These disk washers reduce friction and wear due to axial loads caused by misalignment, etc.

Centralized Lubrication Type Cam Followers

These bearings have one or two pipe-threaded holes in the stud. Thus, this series is suitable when centralized lubrication is required.

Easy Mounting Type Cam Followers

These bearings have a stepped tapered portion on the stud. When mounting the Cam Follower, it is easy to fix its location by tightening a set screw to the stepped portion. Thus, this type is suitable when a large number of Cam Followers are used in a machine such as a pallet changer.

Capilube Cam Follower

These bearings are lubricated with a newly developed thermosetting solid-type lubricant which fills the inner space of the bearing. This lubricant provides long-term maintenance free.

Heavy Duty Type Cam Followers

These bearings are full complement type bearings incorporating double rows of full complement cylindrical rollers in the outer ring, and can withstand large radial loads and some axial loads.

Miniature Type Cam Followers

These are compactly designed bearings, incorporating very thin needle rollers in an outer ring with a small outside diameter. They are used in electronic devices, OA equipment, small index devices, etc.

Inch series Cam Followers

Two types, CR and CRH, are available in the Inch series Cam Followers. Black oxide film treatment is made on CRH models.



Internal Structures and Shapes

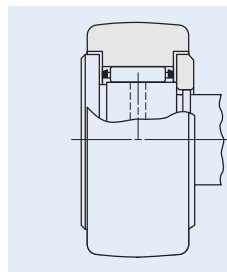
Various types are lined up in Cam Follower series, including the caged type, full complement type, shield type, sealed type, type with crowned outer ring, type

with cylindrical outer ring, type with hexagonal hole, etc.

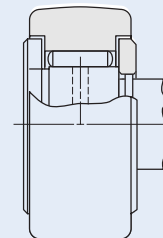
Roller guide method

Cam Followers include the caged type and the full complement type. The caged type has a small coefficient of friction and is suitable for high speed rotations, while the full complement type is suitable for heavy loads at low speed rotations.

《With cage》



《Full complement》

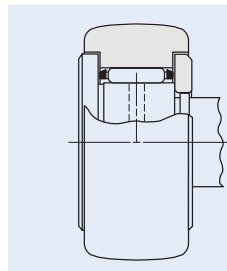


Seal structure

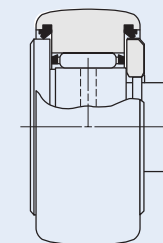
Cam Followers include the shield type and the sealed type. In the shield type, the narrow clearances between the outer ring and the stud flange and between the outer ring and the side plate form labyrinths.

The sealed type incorporates seals in the narrow clearances to prevent the penetration of foreign particles.

《Shield type》



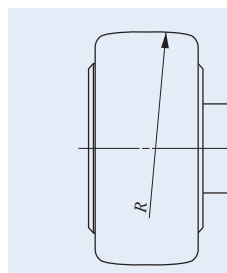
《Sealed type》



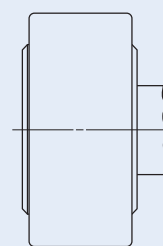
Shape of outer ring outside surface

The outside surface of the outer ring of Cam Followers, which makes direct contact with the mating track surface, is either crowned or cylindrical. The crowned outer rings are effective in moderating the edge load due to mounting errors. The cylindrical outer rings have a large contact area with the mating track surface, and are suitable for applications in which the applied load is large or the track surface hardness is low.

《Crowned outer ring》



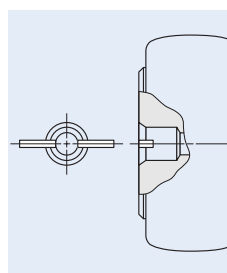
《Cylindrical outer ring》



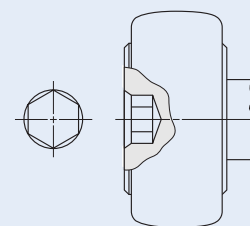
Shape of stud head

Cam Followers are available in two stud head shape types, namely, the type with screwdriver slot and the type with hexagon hole for hexagon bar wrench.

《With screwdriver slot》



《With hexagon hole》

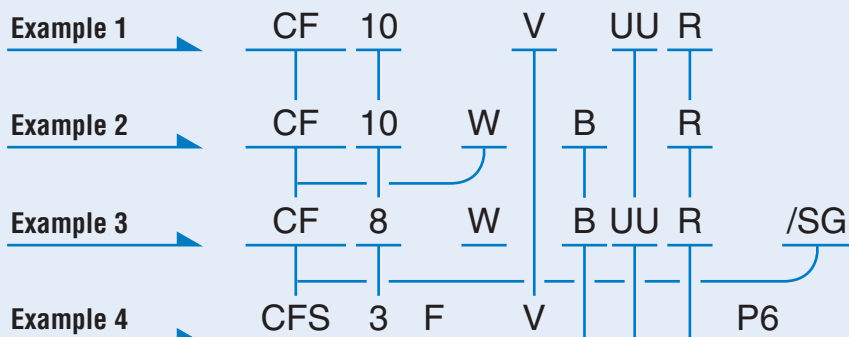




Identification number

Some examples of the identification number of Cam Followers are shown below.

Examples of identification number



Model code		
Metric CF series	CF	Standard Type Cam Follower
	CFES	Solid Eccentric Stud Type Cam Follower
	CFE	Eccentric Type Cam Follower
	CF...W	Thrust Disk Type Cam Follower
	CF-RU1	Centralized Lubrication Type Cam Follower (With crowned outer ring)
	CF-FU1	Centralized Lubrication Type Cam Follower (With cylindrical outer ring)
	CF-SFU	Easy Mounting Type Cam Follower
	CF.../SG	Capilube Cam Follower
Miniature CFS series	NUCF	Heavy Duty Type Cam Follower
	CFS	Miniature Type Cam Follower
Inch series	CFS...W	Thrust Disk Type Miniature Cam Follower
	CR	Inch series Cam Follower
CRH		

Size
The value indicates a stud diameter. (unit: mm) In the inch series, the outside diameter in units of 1/16 inch is indicated.

Material	
No symbol	High carbon steel made
F	Stainless steel made

Roller guide method	
No symbol	With cage type
V	Full complement type

Shape of stud head	
B	With hexagon hole
No symbol	With screwdriver slot

Seal structure	
No symbol	Shield type
UU	Sealed type

Shape of outer ring outside surface	
R	With crowned outer ring
No symbol	With cylindrical outer ring

Classification symbol		
No symbol	Class 0	Applicable to Miniature CFS series
P6	Class 6	
P5	Class 5	
P4	Class 4	

CF, NUCF, CFS, CRH



Accuracy

The accuracy of Cam Followers is shown in Table 2, Table 3.1, and Table 3.2. Cam Followers with special accuracy are also available. When they are required, please contact IKO.

Table 2 Tolerances

unit: μm

Series Dimensions and symbols	Metric CF series (1)		Miniature CFS series	Inch series	
	Crowned outer ring	Cylindrical outer ring		Crowned outer ring	Cylindrical outer ring
Outside dia. of outer ring D	0~-50	See Table 3.1.	See Table 3.2.	0~-50	0~-25
Stud dia. d_1	h7		h6	+25~0	
Width of outer ring C	0~-120		0~-120	0~-130	

Note(1) Also applicable to Heavy Duty Type Cam Followers.

Table 3.1 Tolerances and allowable values of outer rings (Metric CF series cylindrical outer rings)

unit: μm

D Nominal outside dia. of outer ring mm		Δ_{Dmp} Single plane mean outside dia. deviation		V_{Dp} Outside dia. variation in a single radial plane (Max.)	V_{Dmp} Mean outside dia. variation (Max.)	K_{ca} Radial runout of assembled bearing outer ring (Max.)
Over	Incl.	High	Low			
6	18	0	- 8	10	6	15
18	30	0	- 9	12	7	15
30	50	0	-11	14	8	20
50	80	0	-13	16	10	25
80	120	0	-15	19	11	35

Table 3.2 Tolerances and allowable values of outer rings (Miniature CFS series)

unit: μm

Δ_{Dmp} Single plane mean outside dia. deviation								K_{ca} Radial runout of assembled bearing outer ring (Max.)			
Class 0		Class 6		Class 5		Class 4		Class 0	Class 6	Class 5	Class 4
High	Low	High	Low	High	Low	High	Low				
0	-8	0	-7	0	-5	0	-4	15	8	5	4

Clearance

The radial internal clearances of Cam Followers are shown in Table 4.

Table 4 Radial internal clearance

unit: μm

Identification number ⁽¹⁾				Radial internal clearance	
Metric CF series ⁽²⁾	Heavy Duty Type Cam Followers NUCF	Miniature CFS series ⁽³⁾	Inch series	Min.	Max.
CF 3 ~CF 5	—	CFS2 ~CFS5	CR 8, CR 8-1, CRH 8-1, CRH 9	3	17
CF 6	—	CFS6	CR10, CR10-1, CRH10-1, CRH11	5	20
CF 8~CF12-1	—	—	CR12~CR22, CRH12 ~CRH22	5	25
CF16~CF20-1	—	—	CR24~CR36, CRH24 ~CRH36	10	30
CF24~CF30-2	—	—	CRH40 ~CRH56	10	40
—	—	—	CRH64	15	50
—	NUCF10 R~NUCF24 R	—	—	20	45
—	NUCF24-1R~NUCF30-2R	—	—	25	50

Notes⁽¹⁾ Also applicable to the full complement type, crowned outer ring type, sealed type, and type with hexagon hole.

⁽²⁾ Only representative types are shown in the table, but this table is applicable to the entire metric CF series.

⁽³⁾ Only representative types are shown in the table, but this table is applicable to the entire miniature CFS series.

Fit

Tables 5 and 6 show recommended tolerances of mounting holes for Cam Follower studs. Since the Cam Follower is supported in a cantilever position, the mounting hole diameter should be prepared without play between the stud and the hole especially when heavy shock loads are applied.

Table 5 Recommended fit

Type	Tolerance class of mounting hole for stud
Metric CF series	H7
Heavy Duty Type	H7
Miniature CFS series	H6
Inch series	F7

Table 6 Dimensional tolerances of mounting hole

unit: μm

Nominal outside dia. of stud mm		F7		H6		H7	
Over	Incl.	High	Low	High	Low	High	Low
—	3	+16	+ 6	+ 6	0	+10	0
3	6	+22	+10	+ 8	0	+12	0
6	10	+28	+13	+ 9	0	+15	0
10	18	+34	+16	+11	0	+18	0
18	30	+41	+20	+13	0	+21	0
30	40	+50	+25	+16	0	+25	0
40	50						



Maximum Allowable Static Load

The applicable load on Cam Followers is, in some cases, limited by the bending strength and shear strength of the stud and the strength of the outer ring instead of the load rating of the needle roller bearing. Therefore, the maximum allowable static load that is limited by these strengths is specified.

Track Capacity

Track capacity is defined as a load which can be continuously applied on a Cam Follower placed on a steel track surface without causing any deformation or indentation on the track surface when the outer ring of

the Cam Follower makes contact with the mating track surface (plane). The track capacities shown in Tables 7.1 and 7.2 are applicable when the hardness of the mating track surface is 40HRC (Tensile strength 1250N/mm²). When the hardness of the mating track surface differs from 40HRC, the track capacity is obtained by multiplying the value by the track capacity factor shown in Table 8.

If lubrication between the outer ring and the mating track surface is insufficient, seizure and/or wear may occur depending on the application. Therefore, attention must be paid to lubrication and surface roughness of the mating track especially for high-speed rotations such as cam mechanisms.

Table 7.1 Track capacity

unit: N

Type	Identification number With crowned outer ring	Track capacity	Identification number With cylindrical outer ring	Track capacity
Metric CF series ⁽¹⁾	CF 3 R	542	CF 3	1 360
	CF 4 R	712	CF 4	1 790
	CF 5 R	794	CF 5	2 210
	CF 6 R	1 040	CF 6	3 400
	CF 8 R	1 330	CF 8	4 040
	CF10 R	1 610	CF10	4 680
	CF10-1R	2 030	CF10-1	5 530
	CF12 R	2 470	CF12	7 010
	CF12-1R	2 710	CF12-1	7 480
	CF16 R	3 060	CF16	11 200
	CF18 R	3 660	CF18	14 500
	CF20 R	5 190	CF20	23 200
	CF20-1R	4 530	CF20-1	21 000
	CF24 R	6 580	CF24	34 300
	CF24-1R	8 020	CF24-1	39 800
Miniature CFS series ⁽²⁾	CF30 R	9 220	CF30	52 700
	CF30-1R	9 990	CF30-1	56 000
	CF30-2R	10 800	CF30-2	59 300
	—	—	CFS2	220
	—	—	CFS2.5	298
	—	—	CFS3	485
—	—	CFS4	799	
—	—	CFS5	1 210	
—	—	CFS6	1 680	

Notes⁽¹⁾ Only representative types are shown in the table, but this table is applicable to the entire metric CF series, and also to Heavy Duty Type Cam Followers.

⁽²⁾ Only representative types are shown in the table, but this table is applicable to the entire miniature CFS series.



Table 7.2 Track capacity

unit: N

Type	Identification number With crowned outer ring	Track capacity	Identification number With cylindrical outer ring	Track capacity	Identification number With crowned outer ring	Track capacity	Identification number With cylindrical outer ring	Track capacity
Inch series ⁽¹⁾	CR 8 R	770	CR 8	2 140	—	—	—	—
	CR 8-1R	770	CR 8-1	2 360	CRH 8-1R	401	CRH 8-1	2 360
	—	—	—	—	CRH 9 R	469	CRH 9	2 650
	CR10 R	1 030	CR10	3 210	—	—	—	—
	CR10-1R	1 030	CR10-1	3 480	CRH10-1R	579	CRH10-1	3 480
	—	—	—	—	CRH11 R	658	CRH11	3 830
	CR12 R	1 340	CR12	4 500	CRH12 R	853	CRH12	4 500
	CR14 R	1 630	CR14	5 250	CRH14 R	1 050	CRH14	5 250
	CR16 R	1 970	CR16	7 280	CRH16 R	1 420	CRH16	7 280
	CR18 R	2 300	CR18	7 710	CRH18 R	1 660	CRH18	7 710
	CR20 R	2 680	CR20	10 700	CRH20 R	2 160	CRH20	10 700
	CR22 R	3 050	CR22	11 800	CRH22 R	2 450	CRH22	11 800
	CR24 R	3 410	CR24	15 400	CRH24 R	3 410	CRH24	15 400
	CR26 R	3 820	CR26	16 700	CRH26 R	3 820	CRH26	16 700
	CR28 R	4 210	CR28	21 000	CRH28 R	4 210	CRH28	21 000
	CR30 R	4 610	CR30	22 500	CRH30 R	4 610	CRH30	22 500
	CR32 R	5 050	CR32	30 900	CRH32 R	5 690	CRH32	30 900
	CR36 R	5 900	CR36	34 700	CRH36 R	6 640	CRH36	34 700
	—	—	—	—	CRH40 R	8 970	CRH40	45 000
	—	—	—	—	CRH44 R	10 200	CRH44	49 500
—	—	—	—	CRH48 R	11 400	CRH48	64 300	
—	—	—	—	CRH52 R	12 700	CRH52	69 600	
—	—	—	—	CRH56 R	14 100	CRH56	87 000	
—	—	—	—	CRH64 R	16 800	CRH64	113 000	

Note⁽¹⁾ Only representative types are shown in the table, but this table is applicable to the entire inch series.

Table 8 Track capacity factor

Hardness HRC	Tensile strength N/mm ²	Track capacity factor	
		With crowned outer ring	With cylindrical outer ring
20	760	0.22	0.37
25	840	0.31	0.46
30	950	0.45	0.58
35	1 080	0.65	0.75
38	1 180	0.85	0.89
40	1 250	1.00	1.00
42	1 340	1.23	1.15
44	1 435	1.52	1.32
46	1 530	1.85	1.51
48	1 635	2.27	1.73
50	1 760	2.80	1.99
52	1 880	3.46	2.29
54	2 015	4.21	2.61
56	2 150	5.13	2.97
58	2 290	6.26	3.39

Life and Safety Factor

Please consult .

1N=0.102kgf=0.2248lbs.
1mm=0.03937inch

F-11



Allowable Rotational Speed

The allowable rotational speed of Cam Followers is affected by mounting and operating conditions. For reference, Table 9 shows $d_1 n$ values when only pure radial loads are applied. Considering that axial loads also act under actual operating conditions, the recommended $d_1 n$ value is 1/10 of the value shown in the table.

Table 9 $d_1 n$ values of Cam Followers ⁽¹⁾⁽²⁾

Type	Lubricant	
	Grease	Oil
Caged type	84 000	140 000
Full complement type	42 000	70 000
Heavy Duty Type Cam Follower	66 000	110 000

Notes⁽¹⁾ $d_1 n$ value = $d_1 \times n$

where, d_1 : Stud diameter mm

n : Rotational speed rpm

⁽²⁾ In case of Capilube Cam Follower, $d_1 n$ value is 10000.

Lubrication

Grease-prepacked Cam Followers are shown in Table 10. The lubricating grease prepacked in these bearings is ALVANIA GREASE S2 (SHELL).

For Cam Followers without prepacked grease, grease should be packed through the oil hole in the stud for use. If they are used without lubricant, wear of rolling contact surfaces may take place, leading to a short bearing life.

Table 10 Grease-prepacked Cam Followers

○ : With prepacked grease × : Without prepacked grease

Series Size of stud dia. d_1 ⁽¹⁾ mm		Type	With cage				Full complement type
			Shield type		Sealed type		
			With hexagon hole	With screwdriver slot	With hexagon hole	With screwdriver slot	
Metric CF series	CF	3~5	○	○	○	○	—
	CFES			×			○
	CFE	6~10	×	○	○	○	
	CF···W						—
	CF-RU1, CF-FU1 CF-SFU	—	—	—	○	—	
Capilube Cam Followers CF···/SG ⁽²⁾		—	—	×	—	—	
Heavy Duty Type Cam Followers NUCF		—	—	—	—	○	
Miniature CFS series	CFS	○	○	—	—	○	
	CFS···W						—
Inch series	CR	○	○	○	○	○	
	CRH	—	—	—	—	○	

Notes⁽¹⁾ For Eccentric Type Cam Followers (CFE), thread diameter G shown in the table of dimensions is applicable.

⁽²⁾ This Cam Follower incorporates Capilube which includes a large amount of lubricating oil.

Oil Hole

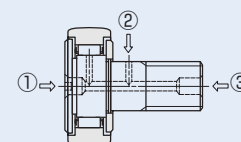
The position of oil hole is shown in Table 11. Re-greasing cannot be made for models without a oil hole.

Grease should be supplied gently with a straight type grease gun as specified by JIS B 9808:1991, which is applied carefully to the nipple head from the front.

Table 11 Position of oil hole

○ : Oil hole is prepared.

Series Size of stud dia. d_1 (1) mm			Position of oil hole	① Stud head	② Stud outside surface	③ Stud end
Metric CF series	CF CFES	With hexagon hole	$d_1 \leq 10$	$\triangle^{(3)}$	—	—
			$10 < d_1$	—	○	○
	CFE CF...W	With screwdriver slot	$d_1 < 5$	—	—	—
			$5 \leq d_1 \leq 10$	○	—	—
	CF-RU1, CF-FU1 (2)		$d_1 \leq 12$	○	○	○
	CF-SFU		$12 < d_1$	○	○	○
	CF-SFU			—	—	—
Capilube Cam Followers CF.../SG		$d_1 \leq 10$	—	—	—	
		$10 < d_1$	—	○	—	
Heavy Duty Type Cam Followers NUCF		$d_1 \leq 10$	○	—	—	
		$10 < d_1$	○	○	○	
Miniature CFS series	CFS CFS ...W		—	—	—	
Inch series	CR	With hexagon hole	$d_1 \leq 6.35$	—	—	—
			$6.35 < d_1$	—	○	○
	CRH	With screwdriver slot	$d_1 \leq 6.35$	○	—	—
			$6.35 < d_1$	○	○	○
	CRH	With hexagon hole	$d_1 \leq 7.938$	—	—	—
			$7.938 < d_1$	—	○	○
CRH		With screwdriver slot	$d_1 \leq 7.938$	○	—	—
			$7.938 < d_1$	○	○	○



Notes(1) In case of Eccentric Type Cam Followers (CFE), thread diameter G shown in the table of dimensions is applicable in place of stud dia. and the oil hole on the outer surface of the stud cannot be used for lubrication.

(2) The stud head and stud end are provided with a tapped hole for piping.

(3) For the models CF5~10-1B(UU,R), oil hole is provided in the resin made re-greasing plug which is inserted into the hexagon hole. To re-lubricate through this oil hole, a sharp grease gun nozzle is required.



Accessories

Cam Follower accessories are shown in Table 12.

Grease nipple dimensions are shown in Table 13.

Dimensions of plug for unused oil hole and dimensions of plug inserter are shown in Table 14.

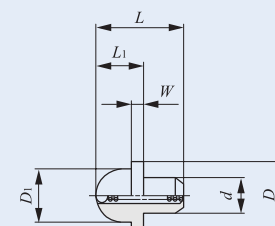
Table 12 Accessories

○ : Attached

Series Size of stud dia. d_1 mm			Accessories	Grease nipple	Plug	Nut	Spring washer
Metric CF series	CF	With hexagon hole	$d_1 \leq 10$	—	—	○	—
			$10 < d_1$	○	○	○	—
	CFES	With screwdriver slot	$d_1 < 5$	—	—	○	—
			$5 \leq d_1$	○	○	○	—
	CFE			○	○	○	○
	CF-RU1, CF-FU1			—	—	○	—
	CF-SFU			—	—	—	—
Capilube Cam Followers		CF.../SG	—	—	○	—	
Heavy Duty Type Cam Followers		NUCF	○	○	○	—	
Miniature CFS series	CFS		—	—	○	—	
	CFS...W		—	—	○	—	
Inch series	CR	With hexagon hole	$d_1 \leq 6.35$	—	—	○	—
			$6.35 < d_1$	○	○	○	—
		With screwdriver slot	—	○	○	○	—
	CRH	With hexagon hole	$d_1 \leq 7.938$	—	—	○	—
			$7.938 < d_1$	○	○	○	—
		With screwdriver slot	—	○	○	○	—

Table 13 Dimensions of grease nipple

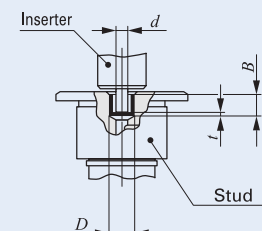
Code number	Dimensions of grease nipple mm						Applicable Cam Followers (1)
	d	D	D_1	L	L_1	W	
NPT4	4	7.5	6	10	5.5	1.5	CF 6~CF10-1
NPT6	6	8	6	11	6	2	CF12~CF18
NPT8	8	10	6	16	7	3	CF20~CF30-2
NPB2	3.18	7.5	6	9	5.5	1.5	CF5, CR8~CR10-1, CRH8-1~CRH11
NPB3	4.76	7.5	6	10	5.5	1.5	CR12~CR22, CRH12~CRH22
NPB3-1	4.76	7.5	6	12.5	5.5	1.55	CR24~CR36, CRH24~CRH44
NPB4	6.35	8.5	6	13	6	2	CRH48~CRH64



Note(1) Only representative types are shown in the table. This table is also applicable to Heavy Duty Type Cam Followers.

Table 14 Dimensions of plug

Code number	Dimensions of plug mm			Dimension of inserter mm	Applicable Cam Followers (1)
	D	t	B		
UST4F	4	0.4	3.3	3	CF 6~CF10-1
UST6F	6	0.4	4	5	CF12~CF18
UST8F	8	0.4	5.8	7	CF20~CF30-2
USB2F	3.18	0.3	3.3	2.3	CF5, CR8 ~CR10-1
USB3F	4.76	0.4	4.3	3.7	CR12~CR36, CRH12 ~CRH44
USB4F	6.35	0.5	4.8	5.2	CRH48 ~CRH64



Note(1) Only representative types are shown in the table. This table is also applicable to Heavy Duty Type Cam Followers.



Operating Temperature Range

The operating temperature range for IKO Cam Followers is $-20^{\circ}\text{C}\sim+120^{\circ}\text{C}$. However, the maximum allowable temperature for the following types is different.

The maximum allowable temperature for the Metric CF series with a stud diameter d_1 of 4 mm or less, Stainless steel made Cam Followers with a stud diameter 5mm or less and CFS2 is $+110^{\circ}\text{C}$, and $+100^{\circ}\text{C}$ when they are continuously operated.

The maximum allowable temperature for the sealed type with a stud diameter d_1 of 5 mm or less is $+80^{\circ}\text{C}$.

The maximum allowable temperature for Capilube Cam Follower is $-15^{\circ}\text{C}\sim+80^{\circ}\text{C}$.

Mounting

① Make the center axis of the mounting hole perpendicular to the moving direction of the Cam Follower and match the side shoulder accurately with the seating surface indicated by dimension f in the table of dimensions. (See Fig. 1.) Then, fix the Cam Follower with the nut. Do not hit the flange head of the Cam Follower directly with a hammer, etc. This may lead to a bearing failure such as irregular rotation or cracking.

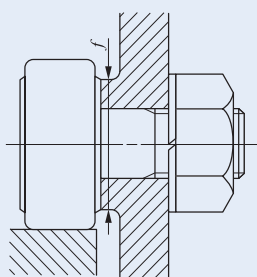


Fig. 1 Seating surface

② The IKO mark on the flange head of the stud indicates the position of the oil hole on the raceway. Avoid locating the oil hole within the loading zone. This may lead to a short bearing life. (See Fig. 2.) The hole located in the middle part of the stud perpendicular to the stud center axis is used for greasing or locking.

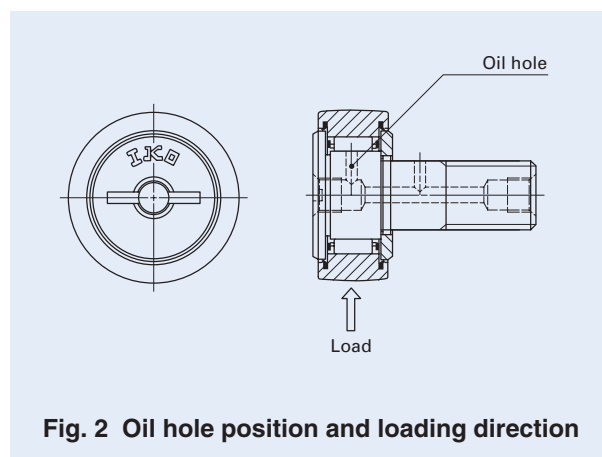


Fig. 2 Oil hole position and loading direction

③ When tightening the nut, the tightening torque should not exceed the values shown in the table of dimensions. If the tightening torque is too large, it is possible that the threaded portion of the stud will be broken. When there is a possibility of loosening, a special nut such as a lock nut, spring washer, or self-locking nut should be used.

④ In the case of Solid Eccentric Stud Type Cam Followers and Eccentric Type Cam Followers, the outer ring position can be adjusted appropriately by turning the stud with a screwdriver or hexagon bar wrench using the screwdriver slot or hexagon hole of the stud head. The stud is fixed with a nut and a spring washer, etc. The tightening torque should not exceed the values of maximum tightening torque shown in the table of dimensions.

When shock loads are applied and the adjusted eccentricity has to be ensured, it is recommended to make holes in the housing, stud and eccentric collar, and fix the stud with a dowel pin as shown in Fig. 3. However, when the stud diameter is less than 8 mm (Eccentric collar diameter 11 mm), it is difficult to make a hole in the stud because the stud is through-hardened.

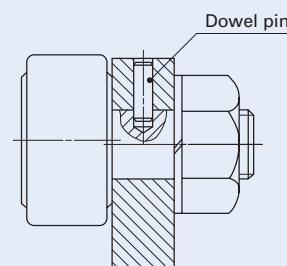


Fig. 3 Mounting example of Solid Eccentric Stud Type Cam Follower

- ⑤ In case of Eccentric Type Cam Followers (CFE), the length of the mounting hole should be more than 0.5 mm longer than the dimension B_3 (Eccentric collar width) shown in the table of dimensions. (See Fig. 4.)

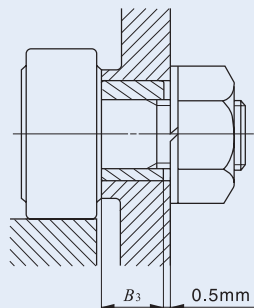


Fig. 4 Length of the mounting hole of Eccentric Type Cam Follower

- ⑥ For mounting Easy Mounting Type Cam Followers, it is recommended to fix the fixing screw from the upper side to the stepped portion of the stud. (See Fig. 5.)

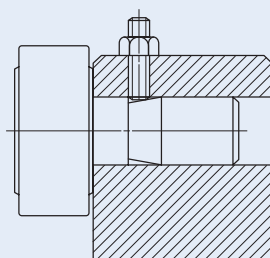


Fig. 5 Mounting example of Easy Mounting Type Cam Follower

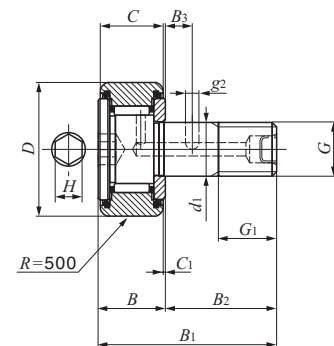
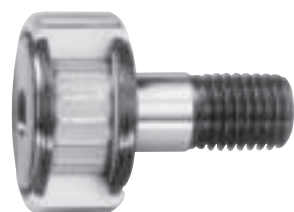
Caution in Use

- ① Never wash Capilube Bearing with organic solvent and/or white kerosene which have the ability to remove fat, or leave the bearing in contact with these agents.
- ② To ensure normal rotation of the bearing, apply a load of 1% or more of the basic dynamic load rating at use.



CAM FOLLOWERS

Capilube Cam Followers **With Cage / With Hexagon Hole**

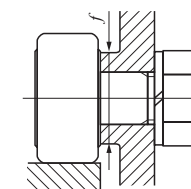


CF...WBUUR/SG

Stud dia. 6–12mm

Stud dia. mm	Identification number	Mass (Ref.) g	Boundary dimensions mm						
			<i>D</i>	<i>C</i>	<i>d</i> ₁	<i>G</i>	<i>G</i> ₁	<i>B</i> _{max}	<i>B</i> _{1max}
6	CF 6 WBUUR/SG	18.5	16	11	6	M 6×1	8	12.2	28.2
8	CF 8 WBUUR/SG	28.5	19	11	8	M 8×1.25	10	12.2	32.2
10	CF 10 WBUUR/SG	45	22	12	10	M10×1.25	12	13.2	36.2
	CF 10-1 WBUUR/SG	60	26	12	10	M10×1.25	12	13.2	36.2
12	CF 12 WBUUR/SG	95	30	14	12	M12×1.5	13	15.2	40.2
	CF 12-1 WBUUR/SG	105	32	14	12	M12×1.5	13	15.2	40.2

Remark Models with a stud diameter *d*₁ of 10 mm or less has no oil hole. The others are provided with one oil hole each on the outside surface and end surface of the stud.



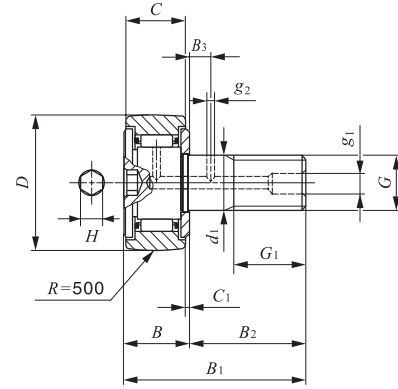
<i>B</i> ₂	<i>B</i> ₃	<i>C</i> ₁	<i>g</i> ₂	<i>H</i>	Mounting dimension <i>f</i> Min. mm	Maximum tightening torque N·m	Basic dynamic load rating <i>C</i> N	Basic static load rating <i>C</i> ₀ N	Maximum allowable load N
16	—	0.6	—	3	11	2.7	3 660	3 650	1 950
20	—	0.6	—	4	13	6.5	4 250	4 740	4 620
23	—	0.6	—	4	16	13.8	5 430	6 890	6 890
					16	13.8	5 430	6 890	6 890
25	6	0.6	3	6	21	21.9	7 910	9 790	9 790
					21	21.9	7 910	9 790	9 790





CAM FOLLOWERS

Standard Type Cam Followers **With Cage/With Hexagon Hole**



CF...BR

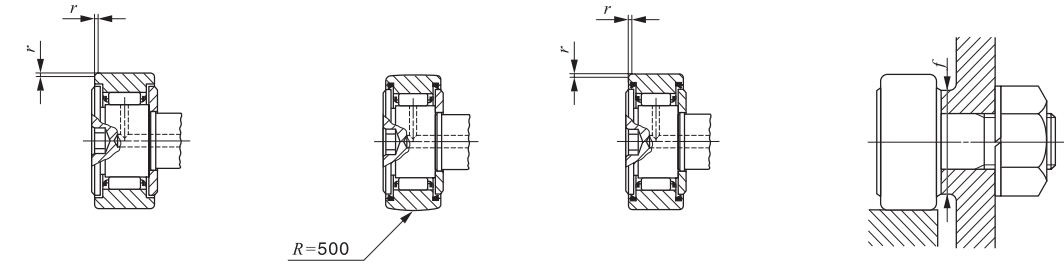
Stud dia. 3–30 mm

Stud dia. mm	Identification number				Mass (Ref.) g	D	C	d ₁	G
	Shield type		Sealed type						
	With crowned outer ring	With cylindrical outer ring	With crowned outer ring	With cylindrical outer ring					
3	CF 3 BR	CF 3 B	CF 3 BUUR	CF 3 BUU	4.3	10	7	3	M 3×0.5
4	CF 4 BR	CF 4 B	CF 4 BUUR	CF 4 BUU	7.4	12	8	4	M 4×0.7
5	CF 5 BR	CF 5 B	CF 5 BUUR	CF 5 BUU	10.3	13	9	5	M 5×0.8
6	CF 6 BR	CF 6 B	CF 6 BUUR	CF 6 BUU	18.5	16	11	6	M 6×1
8	CF 8 BR	CF 8 B	CF 8 BUUR	CF 8 BUU	28.5	19	11	8	M 8×1.25
	CF 8 BRM	CF 8 BM	CF 8 BUURM	CF 8 BUUM	28.5	19	11	8	M 8×1
10	CF 10 BR	CF 10 B	CF 10 BUUR	CF 10 BUU	45	22	12	10	M10×1.25
	CF 10 BRM	CF 10 BM	CF 10 BUURM	CF 10 BUUM	45	22	12	10	M10×1
	CF 10-1 BR	CF 10-1 B	CF 10-1 BUUR	CF 10-1 BUU	60	26	12	10	M10×1.25
	CF 10-1 BRM	CF 10-1 BM	CF 10-1 BUURM	CF 10-1 BUUM	60	26	12	10	M10×1
12	CF 12 BR	CF 12 B	CF 12 BUUR	CF 12 BUU	95	30	14	12	M12×1.5
	CF 12-1 BR	CF 12-1 B	CF 12-1 BUUR	CF 12-1 BUU	105	32	14	12	M12×1.5
16	CF 16 BR	CF 16 B	CF 16 BUUR	CF 16 BUU	170	35	18	16	M16×1.5
18	CF 18 BR	CF 18 B	CF 18 BUUR	CF 18 BUU	250	40	20	18	M18×1.5
20	CF 20 BR	CF 20 B	CF 20 BUUR	CF 20 BUU	460	52	24	20	M20×1.5
	CF 20-1 BR	CF 20-1 B	CF 20-1 BUUR	CF 20-1 BUU	385	47	24	20	M20×1.5
24	CF 24 BR	CF 24 B	CF 24 BUUR	CF 24 BUU	815	62	29	24	M24×1.5
	CF 24-1 BR	CF 24-1 B	CF 24-1 BUUR	CF 24-1 BUU	1 140	72	29	24	M24×1.5
30	CF 30 BR	CF 30 B	CF 30 BUUR	CF 30 BUU	1 870	80	35	30	M30×1.5
	CF 30-1 BR	CF 30-1 B	CF 30-1 BUUR	CF 30-1 BUU	2 030	85	35	30	M30×1.5
	CF 30-2 BR	CF 30-2 B	CF 30-2 BUUR	CF 30-2 BUU	2 220	90	35	30	M30×1.5

Note(1) Minimum allowable value of chamfer dimension r

Remarks1. Models with a stud diameter d₁ of 4 mm or less have no oil hole. For the models CF5~10-1B(UU, R, M), oil hole is provided in the resin made re-greasing plug which is inserted into hexagon hole. Other models are provided with one oil hole each on the outside surface and end surface of the stud.

2. Shield type models with a stud diameter d₁ of 10mm or less and the sealed type models are provided with prepacked grease. Other models are not provided with prepacked grease. Perform proper lubrication for use.



CF...B

CF...BUUR

CF...BUU

Boundary dimensions mm										Mounting dimension f Min. mm	Maximum tightening torque N-m	Basic dynamic load rating C N	Basic static load rating C ₀ N	Maximum allowable static load N
G ₁	B	B ₁	B ₂	B ₃	C ₁	g ₁	g ₂	H	r ⁽¹⁾ r _{smin}					
5	8	17	9	—	0.5	—	—	2	0.2	6.8	0.34	1 500	1 020	384
6	9	20	11	—	0.5	—	—	2.5	0.3	8.3	0.78	2 070	1 590	834
7.5	10	23	13	—	0.5	—	—	3	0.3	9.3	1.6	2 520	2 140	1 260
8	12.2max	28.2max	16	—	0.6	—	—	3	0.3	11	2.7	3 660	3 650	1 950
10	12.2max	32.2max	20	—	0.6	—	—	4	0.3	13	6.5	4 250	4 740	4 620
10	12.2max	32.2max	20	—	0.6	—	—	4	0.3	13	7.1	4 250	4 740	4 620
12	13.2max	36.2max	23	—	0.6	—	—	4	0.3	16	13.8	5 430	6 890	6 890
12	13.2max	36.2max	23	—	0.6	—	—	4	0.3	16	14.7	5 430	6 890	6 890
12	13.2max	36.2max	23	—	0.6	—	—	4	0.3	16	13.8	5 430	6 890	6 890
12	13.2max	36.2max	23	—	0.6	—	—	4	0.3	16	14.7	5 430	6 890	6 890
13	15.2max	40.2max	25	6	0.6	6	3	6	0.6	21	21.9	7 910	9 790	9 790
13	15.2max	40.2max	25	6	0.6	6	3	6	0.6	21	21.9	7 910	9 790	9 790
17	19.6max	52.1max	32.5	8	0.8	6	3	6	0.6	26	58.5	12 000	18 300	18 300
19	21.6max	58.1max	36.5	8	0.8	6	3	8	1	29	86.2	14 800	25 200	25 200
21	25.6max	66.1max	40.5	9	0.8	8	4	8	1	34	119	20 700	34 600	34 600
21	25.6max	66.1max	40.5	9	0.8	8	4	8	1	34	119	20 700	34 600	34 600
25	30.6max	80.1max	49.5	11	0.8	8	4	12	1	40	215	30 500	52 600	52 000
25	30.6max	80.1max	49.5	11	0.8	8	4	12	1	40	215	30 500	52 600	52 000
32	37 max	100 max	63	15	1	8	4	17	1	49	438	45 400	85 100	85 100
32	37 max	100 max	63	15	1	8	4	17	1	49	438	45 400	85 100	85 100
32	37 max	100 max	63	15	1	8	4	17	1	49	438	45 400	85 100	85 100

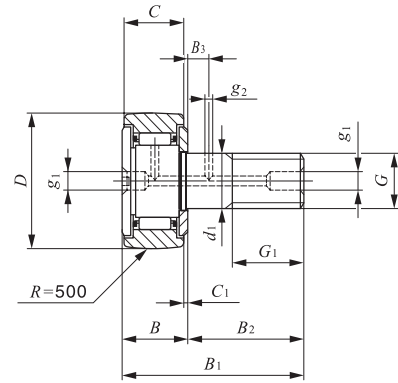
CF, NUCE, CFS, CRH





CAM FOLLOWERS

Standard Type Cam Followers With Cage/With Screwdriver Slot

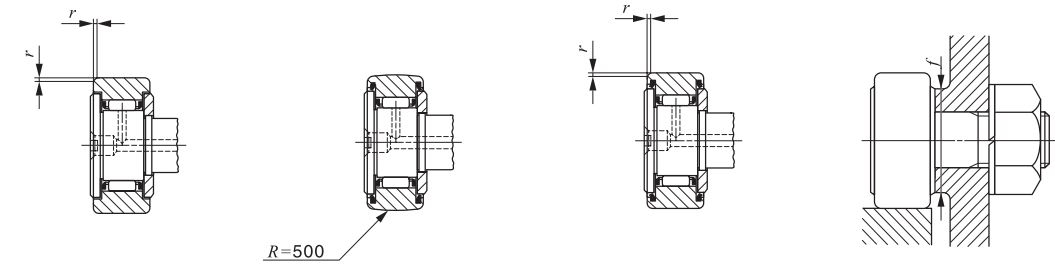


CF...R

Stud dia. 3–30 mm

Stud dia. mm	Identification number				Mass (Ref.) g	D	C	d ₁	G
	Shield type		Sealed type						
	With crowned outer ring	With cylindrical outer ring	With crowned outer ring	With cylindrical outer ring					
3	CF 3 R	CF 3	CF 3 UUR	CF 3 UU	4.3	10	7	3	M 3×0.5
4	CF 4 R	CF 4	CF 4 UUR	CF 4 UU	7.4	12	8	4	M 4×0.7
5	CF 5 R	CF 5	CF 5 UUR	CF 5 UU	10.3	13	9	5	M 5×0.8
6	CF 6 R	CF 6	CF 6 UUR	CF 6 UU	18.5	16	11	6	M 6×1
8	CF 8 R	CF 8	CF 8 UUR	CF 8 UU	28.5	19	11	8	M 8×1.25
	CF 8 RM	CF 8 M	CF 8 UURM	CF 8 UUM	28.5	19	11	8	M 8×1
10	CF 10 R	CF 10	CF 10 UUR	CF 10 UU	45	22	12	10	M10×1.25
	CF 10 RM	CF 10 M	CF 10 UURM	CF 10 UUM	45	22	12	10	M10×1
	CF 10-1 R	CF 10-1	CF 10-1 UUR	CF 10-1 UU	60	26	12	10	M10×1.25
	CF 10-1 RM	CF 10-1 M	CF 10-1 UURM	CF 10-1 UUM	60	26	12	10	M10×1
12	CF 12 R	CF 12	CF 12 UUR	CF 12 UU	95	30	14	12	M12×1.5
	CF 12-1 R	CF 12-1	CF 12-1 UUR	CF 12-1 UU	105	32	14	12	M12×1.5
16	CF 16 R	CF 16	CF 16 UUR	CF 16 UU	170	35	18	16	M16×1.5
18	CF 18 R	CF 18	CF 18 UUR	CF 18 UU	250	40	20	18	M18×1.5
20	CF 20 R	CF 20	CF 20 UUR	CF 20 UU	460	52	24	20	M20×1.5
	CF 20-1 R	CF 20-1	CF 20-1 UUR	CF 20-1 UU	385	47	24	20	M20×1.5
24	CF 24 R	CF 24	CF 24 UUR	CF 24 UU	815	62	29	24	M24×1.5
	CF 24-1 R	CF 24-1	CF 24-1 UUR	CF 24-1 UU	1 140	72	29	24	M24×1.5
30	CF 30 R	CF 30	CF 30 UUR	CF 30 UU	1 870	80	35	30	M30×1.5
	CF 30-1 R	CF 30-1	CF 30-1 UUR	CF 30-1 UU	2 030	85	35	30	M30×1.5
	CF 30-2 R	CF 30-2	CF 30-2 UUR	CF 30-2 UU	2 220	90	35	30	M30×1.5

Note⁽¹⁾ Minimum allowable value of chamfer dimension *r*
 Remarks1. Models with a stud diameter *d*₁ of 4 mm or less have no oil hole. Models with a stud diameter of more than 5 mm and up to 10 mm (marked *) are provided with an oil hole on the stud head only. Other models are provided with one oil hole each on the head, outside surface and end surface of the stud.
 2. Shield type models with a stud diameter *d*₁ of 5 mm or less and the sealed type models are provided with prepacked grease. Other models are not provided with prepacked grease. Perform proper lubrication for use.



CF

CF...UUR

CF...UU

Boundary dimensions mm									Mounting dimension <i>f</i> Min. mm	Maximum tightening torque N·m	Basic dynamic load rating <i>C</i> N	Basic static load rating <i>C</i> ₀ N	Maximum allowable static load N
<i>G</i> ₁	<i>B</i>	<i>B</i> ₁	<i>B</i> ₂	<i>B</i> ₃	<i>C</i> ₁	<i>g</i> ₁	<i>g</i> ₂	<i>r</i> _{smin} ⁽¹⁾					
5	8	17	9	—	0.5	—	—	0.2	6.8	0.34	1 500	1 020	384
6	9	20	11	—	0.5	—	—	0.3	8.3	0.78	2 070	1 590	834
7.5	10	23	13	—	0.5	*3.1	—	0.3	9.3	1.6	2 520	2 140	1 260
8	12.2max	28.2max	16	—	0.6	*4	—	0.3	11	2.7	3 660	3 650	1 950
10	12.2max	32.2max	20	—	0.6	*4	—	0.3	13	6.5	4 250	4 740	4 620
10	12.2max	32.2max	20	—	0.6	*4	—	0.3	13	7.1	4 250	4 740	4 620
12	13.2max	36.2max	23	—	0.6	*4	—	0.3	16	13.8	5 430	6 890	6 890
12	13.2max	36.2max	23	—	0.6	*4	—	0.3	16	14.7	5 430	6 890	6 890
12	13.2max	36.2max	23	—	0.6	*4	—	0.3	16	13.8	5 430	6 890	6 890
12	13.2max	36.2max	23	—	0.6	*4	—	0.3	16	14.7	5 430	6 890	6 890
13	15.2max	40.2max	25	6	0.6	6	3	0.6	21	21.9	7 910	9 790	9 790
13	15.2max	40.2max	25	6	0.6	6	3	0.6	21	21.9	7 910	9 790	9 790
17	19.6max	52.1max	32.5	8	0.8	6	3	0.6	26	58.5	12 000	18 300	18 300
19	21.6max	58.1max	36.5	8	0.8	6	3	1	29	86.2	14 800	25 200	25 200
21	25.6max	66.1max	40.5	9	0.8	8	4	1	34	119	20 700	34 600	34 600
21	25.6max	66.1max	40.5	9	0.8	8	4	1	34	119	20 700	34 600	34 600
25	30.6max	80.1max	49.5	11	0.8	8	4	1	40	215	30 500	52 600	52 000
25	30.6max	80.1max	49.5	11	0.8	8	4	1	40	215	30 500	52 600	52 000
32	37 max	100 max	63	15	1	8	4	1	49	438	45 400	85 100	85 100
32	37 max	100 max	63	15	1	8	4	1	49	438	45 400	85 100	85 100
32	37 max	100 max	63	15	1	8	4	1	49	438	45 400	85 100	85 100

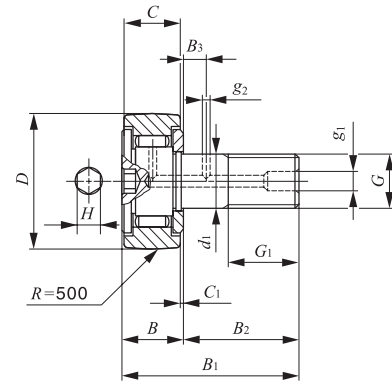
CF, NUCE, CFS, CRH





CAM FOLLOWERS

Standard Type Cam Followers **Full Complement Type/With Hexagon Hole**

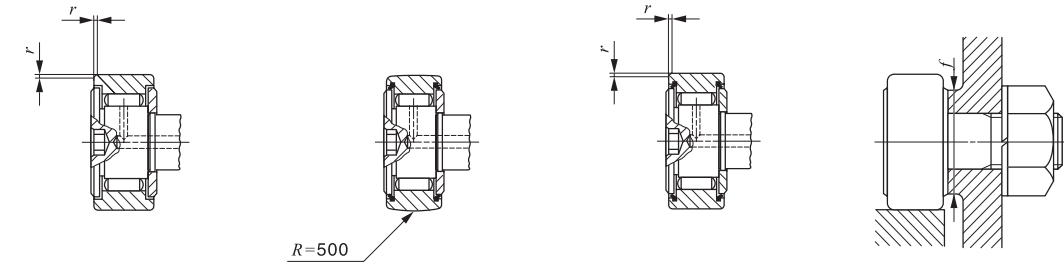


CF...VBR

Stud dia. 6–30 mm

Stud dia. mm	Identification number				Mass (Ref.) g	D	C	d ₁
	Shield type		Sealed type					
	With crowned outer ring	With cylindrical outer ring	With crowned outer ring	With cylindrical outer ring				
6	CF 6 VBR	CF 6 VB	CF 6 VBUUR	CF 6 VBUU	19	16	11	6
8	CF 8 VBR	CF 8 VB	CF 8 VBUUR	CF 8 VBUU	29	19	11	8
	CF 8 VBRM	CF 8 VBM	CF 8 VBUURM	CF 8 VBUUM	29	19	11	8
10	CF 10 VBR	CF 10 VB	CF 10 VBUUR	CF 10 VBUU	46	22	12	10
	CF 10 VBRM	CF 10 VBM	CF 10 VBUURM	CF 10 VBUUM	46	22	12	10
	CF 10-1 VBR	CF 10-1 VB	CF 10-1 VBUUR	CF 10-1 VBUU	61	26	12	10
	CF 10-1 VBRM	CF 10-1 VBM	CF 10-1 VBUURM	CF 10-1 VBUUM	61	26	12	10
12	CF 12 VBR	CF 12 VB	CF 12 VBUUR	CF 12 VBUU	97	30	14	12
	CF 12-1 VBR	CF 12-1 VB	CF 12-1 VBUUR	CF 12-1 VBUU	107	32	14	12
16	CF 16 VBR	CF 16 VB	CF 16 VBUUR	CF 16 VBUU	173	35	18	16
18	CF 18 VBR	CF 18 VB	CF 18 VBUUR	CF 18 VBUU	255	40	20	18
20	CF 20 VBR	CF 20 VB	CF 20 VBUUR	CF 20 VBUU	465	52	24	20
	CF 20-1 VBR	CF 20-1 VB	CF 20-1 VBUUR	CF 20-1 VBUU	390	47	24	20
24	CF 24 VBR	CF 24 VB	CF 24 VBUUR	CF 24 VBUU	820	62	29	24
	CF 24-1 VBR	CF 24-1 VB	CF 24-1 VBUUR	CF 24-1 VBUU	1 140	72	29	24
30	CF 30 VBR	CF 30 VB	CF 30 VBUUR	CF 30 VBUU	1 870	80	35	30
	CF 30-1 VBR	CF 30-1 VB	CF 30-1 VBUUR	CF 30-1 VBUU	2 030	85	35	30
	CF 30-2 VBR	CF 30-2 VB	CF 30-2 VBUUR	CF 30-2 VBUU	2 220	90	35	30

Note⁽¹⁾ Minimum allowable value of chamfer dimension *r*
 Remarks1. Models with a stud diameter *d*₁ of 10 mm or less have no oil hole. Other models are provided with one oil hole each on the outside surface and end surface of the stud.
 2. Provided with prepacked grease.



CF...VB

CF...VBUUR

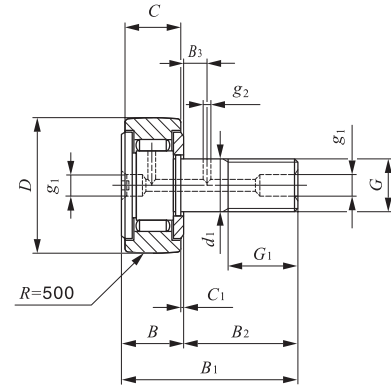
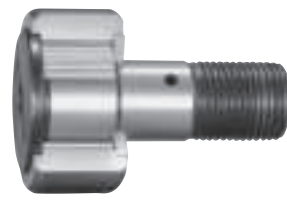
CF...VBUU

Boundary dimensions mm											Mounting dimension <i>f</i> Min. mm	Maximum tightening torque N·m	Basic dynamic load rating <i>C</i> N	Basic static load rating <i>C</i> ₀ N	Maximum allowable static load N
<i>G</i>	<i>G</i> ₁	<i>B</i> max	<i>B</i> _{max}	<i>B</i> ₂	<i>B</i> ₃	<i>C</i> ₁	<i>g</i> ₁	<i>g</i> ₂	<i>H</i>	<i>r</i> ⁽¹⁾ <i>r</i> _{smin}					
M 6×1	8	12.2	28.2	16	—	0.6	—	—	3	0.3	11	2.7	6 980	8 500	1 950
M 8×1.25	10	12.2	32.2	20	—	0.6	—	—	4	0.3	13	6.5	8 170	11 200	4 620
M 8×1	10	12.2	32.2	20	—	0.6	—	—	4	0.3	13	7.1	8 170	11 200	4 620
M10×1.25	12	13.2	36.2	23	—	0.6	—	—	4	0.3	16	13.8	9 570	14 500	8 650
M10×1	12	13.2	36.2	23	—	0.6	—	—	4	0.3	16	14.7	9 570	14 500	8 650
M10×1.25	12	13.2	36.2	23	—	0.6	—	—	4	0.3	16	13.8	9 570	14 500	8 650
M10×1	12	13.2	36.2	23	—	0.6	—	—	4	0.3	16	14.7	9 570	14 500	8 650
M12×1.5	13	15.2	40.2	25	6	0.6	6	3	6	0.6	21	21.9	13 500	19 700	13 200
M12×1.5	13	15.2	40.2	25	6	0.6	6	3	6	0.6	21	21.9	13 500	19 700	13 200
M16×1.5	17	19.6	52.1	32.5	8	0.8	6	3	6	0.6	26	58.5	20 700	37 600	23 200
M18×1.5	19	21.6	58.1	36.5	8	0.8	6	3	8	1	29	86.2	25 300	51 300	31 100
M20×1.5	21	25.6	66.1	40.5	9	0.8	8	4	8	1	34	119	33 200	64 500	37 500
M20×1.5	21	25.6	66.1	40.5	9	0.8	8	4	8	1	34	119	33 200	64 500	37 500
M24×1.5	25	30.6	80.1	49.5	11	0.8	8	4	12	1	40	215	46 600	92 000	52 000
M24×1.5	25	30.6	80.1	49.5	11	0.8	8	4	12	1	40	215	46 600	92 000	52 000
M30×1.5	32	37	100	63	15	1	8	4	17	1	49	438	67 700	144 000	85 900
M30×1.5	32	37	100	63	15	1	8	4	17	1	49	438	67 700	144 000	85 900
M30×1.5	32	37	100	63	15	1	8	4	17	1	49	438	67 700	144 000	85 900



CAM FOLLOWERS

Standard Type Cam Followers **Full Complement Type/With Screwdriver Slot**

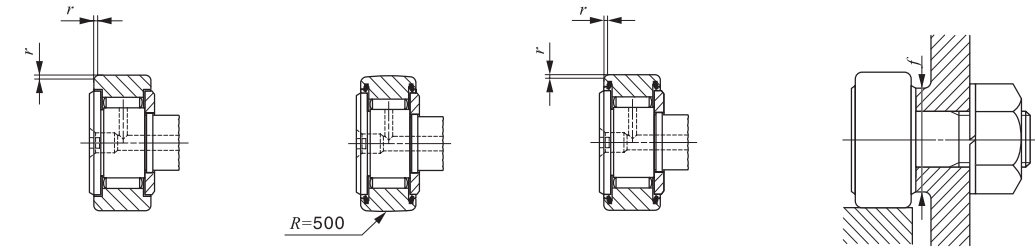


CF...VR

Stud dia. 6–30mm

Stud dia. mm	Identification number				Mass (Ref.) g	D	C	d ₁
	Shield type		Sealed type					
	With crowned outer ring	With cylindrical outer ring	With crowned outer ring	With cylindrical outer ring				
6	CF 6 VR	CF 6 V	CF 6 VUUR	CF 6 VUU	19	16	11	6
8	CF 8 VR	CF 8 V	CF 8 VUUR	CF 8 VUU	29	19	11	8
	CF 8 VRM	CF 8 VM	CF 8 VUURM	CF 8 VUUM	29	19	11	8
10	CF 10 VR	CF 10 V	CF 10 VUUR	CF 10 VUU	46	22	12	10
	CF 10 VRM	CF 10 VM	CF 10 VUURM	CF 10 VUUM	46	22	12	10
	CF 10-1 VR	CF 10-1 V	CF 10-1 VUUR	CF 10-1 VUU	61	26	12	10
	CF 10-1 VRM	CF 10-1 VM	CF 10-1 VUURM	CF 10-1 VUUM	61	26	12	10
12	CF 12 VR	CF 12 V	CF 12 VUUR	CF 12 VUU	97	30	14	12
	CF 12-1 VR	CF 12-1 V	CF 12-1 VUUR	CF 12-1 VUU	107	32	14	12
16	CF 16 VR	CF 16 V	CF 16 VUUR	CF 16 VUU	173	35	18	16
18	CF 18 VR	CF 18 V	CF 18 VUUR	CF 18 VUU	255	40	20	18
20	CF 20 VR	CF 20 V	CF 20 VUUR	CF 20 VUU	465	52	24	20
	CF 20-1 VR	CF 20-1 V	CF 20-1 VUUR	CF 20-1 VUU	390	47	24	20
24	CF 24 VR	CF 24 V	CF 24 VUUR	CF 24 VUU	820	62	29	24
	CF 24-1 VR	CF 24-1 V	CF 24-1 VUUR	CF 24-1 VUU	1 140	72	29	24
30	CF 30 VR	CF 30 V	CF 30 VUUR	CF 30 VUU	1 870	80	35	30
	CF 30-1 VR	CF 30-1 V	CF 30-1 VUUR	CF 30-1 VUU	2 030	85	35	30
	CF 30-2 VR	CF 30-2 V	CF 30-2 VUUR	CF 30-2 VUU	2 220	90	35	30

Note⁽¹⁾ Minimum allowable value of chamfer dimension *r*
 Remarks1. Models with a stud diameter *d*₁ of 10 mm or less (marked *) are provided with an oil hole on the stud head only. Other models are provided with one oil hole each on the head, outside surface and end surface of the stud.
 2. Provided with prepacked grease.



CF...V

CF...VUUR

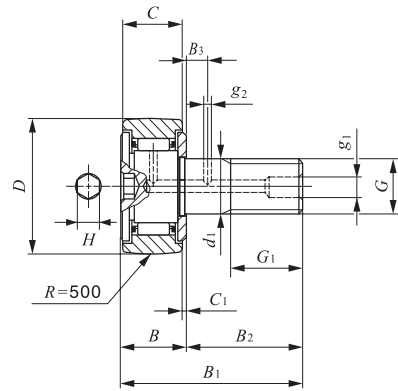
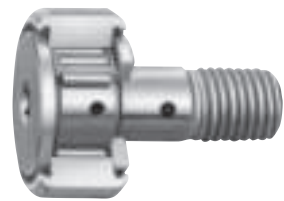
CF...VUU

Boundary dimensions mm											Mounting dimension <i>f</i> Min. mm	Maximum tightening torque N-m	Basic dynamic load rating <i>C</i> N	Basic static load rating <i>C</i> ₀ N	Maximum allowable static load N
<i>G</i>	<i>G</i> ₁	<i>B</i> max	<i>B</i> _{max}	<i>B</i> ₂	<i>B</i> ₃	<i>C</i> ₁	<i>g</i> ₁	<i>g</i> ₂	<i>r</i> ⁽¹⁾ min						
M 6×1	8	12.2	28.2	16	—	0.6	*4	—	0.3	11	2.7	6 980	8 500	1 950	
M 8×1.25	10	12.2	32.2	20	—	0.6	*4	—	0.3	13	6.5	8 170	11 200	4 620	
M 8×1	10	12.2	32.2	20	—	0.6	*4	—	0.3	13	7.1	8 170	11 200	4 620	
M10×1.25	12	13.2	36.2	23	—	0.6	*4	—	0.3	16	13.8	9 570	14 500	8 650	
M10×1	12	13.2	36.2	23	—	0.6	*4	—	0.3	16	14.7	9 570	14 500	8 650	
M10×1.25	12	13.2	36.2	23	—	0.6	*4	—	0.3	16	13.8	9 570	14 500	8 650	
M10×1	12	13.2	36.2	23	—	0.6	*4	—	0.3	16	14.7	9 570	14 500	8 650	
M12×1.5	13	15.2	40.2	25	6	0.6	6	3	0.6	21	21.9	13 500	19 700	13 200	
M12×1.5	13	15.2	40.2	25	6	0.6	6	3	0.6	21	21.9	13 500	19 700	13 200	
M16×1.5	17	19.6	52.1	32.5	8	0.8	6	3	0.6	26	58.5	20 700	37 600	23 200	
M18×1.5	19	21.6	58.1	36.5	8	0.8	6	3	1	29	86.2	25 300	51 300	31 100	
M20×1.5	21	25.6	66.1	40.5	9	0.8	8	4	1	34	119	33 200	64 500	37 500	
M20×1.5	21	25.6	66.1	40.5	9	0.8	8	4	1	34	119	33 200	64 500	37 500	
M24×1.5	25	30.6	80.1	49.5	11	0.8	8	4	1	40	215	46 600	92 000	52 000	
M24×1.5	25	30.6	80.1	49.5	11	0.8	8	4	1	40	215	46 600	92 000	52 000	
M30×1.5	32	37	100	63	15	1	8	4	1	49	438	67 700	144 000	85 900	
M30×1.5	32	37	100	63	15	1	8	4	1	49	438	67 700	144 000	85 900	
M30×1.5	32	37	100	63	15	1	8	4	1	49	438	67 700	144 000	85 900	



CAM FOLLOWERS

Stainless Steel Made Cam Followers With Cage/With Hexagon Hole

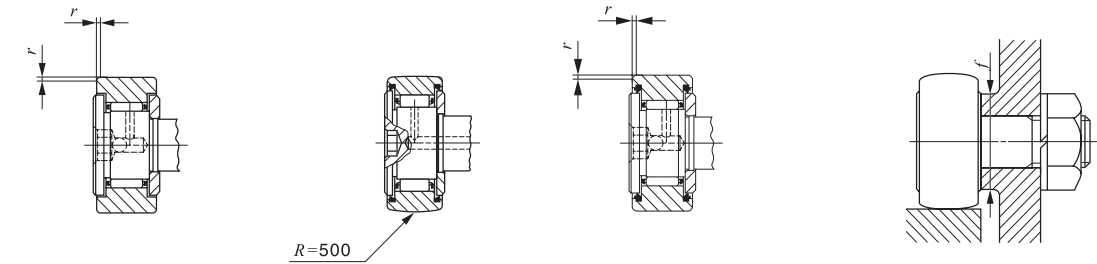


CF...FBR

Stud dia. 3–20mm

Stud dia. mm	Identification number				Mass (Ref.) g	Boundary dimensions mm				
	Shield type		Sealed type			D	C	d ₁	G	G ₁
	With crowned outer ring	With cylindrical outer ring	With crowned outer ring	With cylindrical outer ring						
3	CF 3 FBR	CF 3 FB	CF 3 FBUUR	CF 3 FBUU	4.3	10	7	3	M 3×0.5	5
4	CF 4 FBR	CF 4 FB	CF 4 FBUUR	CF 4 FBUU	7.4	12	8	4	M 4×0.7	6
5	CF 5 FBR	CF 5 FB	CF 5 FBUUR	CF 5 FBUU	10.3	13	9	5	M 5×0.8	7.5
6	CF 6 FBR	—	CF 6 FBUUR	—	18.5	16	11	6	M 6×1	8
8	CF 8 FBR	—	CF 8 FBUUR	—	28.5	19	11	8	M 8×1.25	10
10	CF 10 FBR	—	CF 10 FBUUR	—	45	22	12	10	M10×1.25	12
12	CF 12 FBR	—	CF 12 FBUUR	—	95	30	14	12	M12×1.5	13
16	CF 16 FBR	—	CF 16 FBUUR	—	170	35	18	16	M16×1.5	17
18	CF 18 FBR	—	CF 18 FBUUR	—	250	40	20	18	M18×1.5	19
20	CF 20 FBR	—	CF 20 FBUUR	—	460	52	24	20	M20×1.5	21

Note⁽¹⁾ Minimum allowable value of chamfer dimension *r*
 Remarks1. Models with a stud diameter *d*₁ of 10 mm or less have no oil hole. Other models are provided with one oil hole each on the outside surface and end surface of the stud.
 2. Shield type models with a stud diameter *d*₁ of 10 mm or less and the sealed type models are provided with prepacked grease. Other models are not provided with prepacked grease. Perform proper lubrication for use.



CF...FB

CF...FBUUR

CF...FBUU

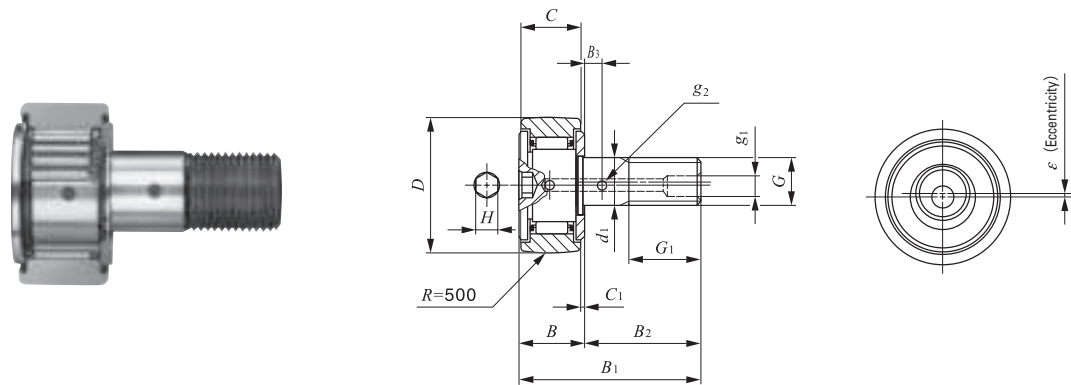
Boundary dimensions mm										Mounting dimension <i>f</i> Min. mm	Maximum tightening torque N·m	Basic dynamic load rating <i>C</i> N	Basic static load rating <i>C</i> ₀ N	Maximum allowable static load N
<i>B</i>	<i>B</i> ₁	<i>B</i> ₂	<i>B</i> ₃	<i>C</i> ₁	<i>g</i> ₁	<i>g</i> ₂	<i>H</i>	<i>r</i> ⁽¹⁾ <i>r</i> _{smin}						
8	17	9	—	0.5	—	—	2	0.2	6.8	0.34	1 200	813	384	
9	20	11	—	0.5	—	—	2.5	0.3	8.3	0.78	1 650	1 270	834	
10	23	13	—	0.5	—	—	3	0.3	9.3	1.6	1 930	1 730	1 260	
12.2 max	28.2 max	16	—	0.6	—	—	3	—	11	2.7	2 930	2 920	1 950	
12.2 max	32.2 max	20	—	0.6	—	—	4	—	13	6.5	3 400	3 790	3 790	
13.2 max	36.2 max	23	—	0.6	—	—	5	—	16	13.8	4 340	5 510	5 510	
15.2 max	40.2 max	25	6	0.6	6	3	6	—	21	21.9	6 330	7 830	7 830	
19.6 max	52.1 max	32.5	8	0.8	6	3	6	—	26	58.5	9 620	14 700	14 700	
21.6 max	58.1 max	36.5	8	0.8	6	3	8	—	29	86.2	11 800	20 200	20 200	
25.6 max	66.1 max	40.5	9	0.8	8	4	8	—	34	119	16 500	27 700	27 700	





CAM FOLLOWERS

Solid Eccentric Stud Type Cam Followers With Cage/With Hexagon Hole

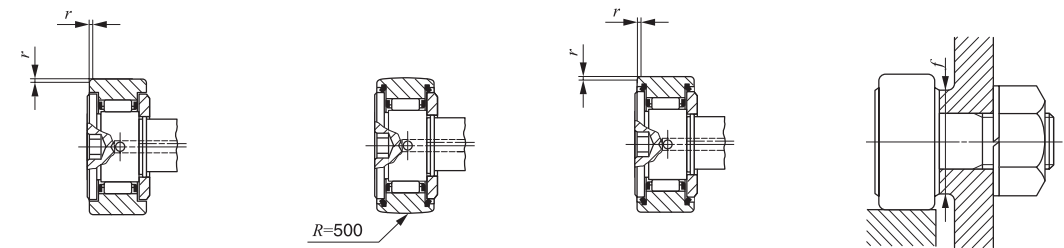


Stud dia. 6–18mm

CFES··BR

Stud dia. mm	Identification number				Mass (Ref.) g	D	C	d ₁
	Shield type		Sealed type					
	With crowned outer ring	With cylindrical outer ring	With crowned outer ring	With cylindrical outer ring				
6	CFES 6 BR	CFES 6 B	CFES 6 BUUR	CFES 6 BUU	18.5	16	11	6
	CFES 6 BR	CFES 6 B	CFES 6 BUUR	CFES 6 BUU				
8	CFES 8 BR	CFES 8 B	CFES 8 BUUR	CFES 8 BUU	28.5	19	11	8
	CFES 8 BR	CFES 8 B	CFES 8 BUUR	CFES 8 BUU				
10	CFES 10 BR	CFES 10 B	CFES 10 BUUR	CFES 10 BUU	45 60	22 26	12	10
	CFES 10-1 BR	CFES 10-1 B	CFES 10-1 BUUR	CFES 10-1 BUU				
12	CFES 12 BR	CFES 12 B	CFES 12 BUUR	CFES 12 BUU	95 105	30 32	14	12
	CFES 12-1 BR	CFES 12-1 B	CFES 12-1 BUUR	CFES 12-1 BUU				
16	CFES 16 BR	CFES 16 B	CFES 16 BUUR	CFES 16 BUU	170	35	18	16
	CFES 16 BR	CFES 16 B	CFES 16 BUUR	CFES 16 BUU				
18	CFES 18 BR	CFES 18 B	CFES 18 BUUR	CFES 18 BUU	250	40	20	18
	CFES 18 BR	CFES 18 B	CFES 18 BUUR	CFES 18 BUU				

Note⁽¹⁾ Minimum allowable value of chamfer dimension *r*
 Remarks1. Models with a stud diameter *d*₁ of 10 mm or less have no oil hole. Other models are provided with one oil hole each on the outside surface and end surface of the stud.
 2. Shield type models with a stud diameter *d*₁ of 10 mm or less and the sealed type models are provided with prepacked grease. Other models are not provided with prepacked grease. Perform proper lubrication for use.



CFES··B

CFES··BUUR

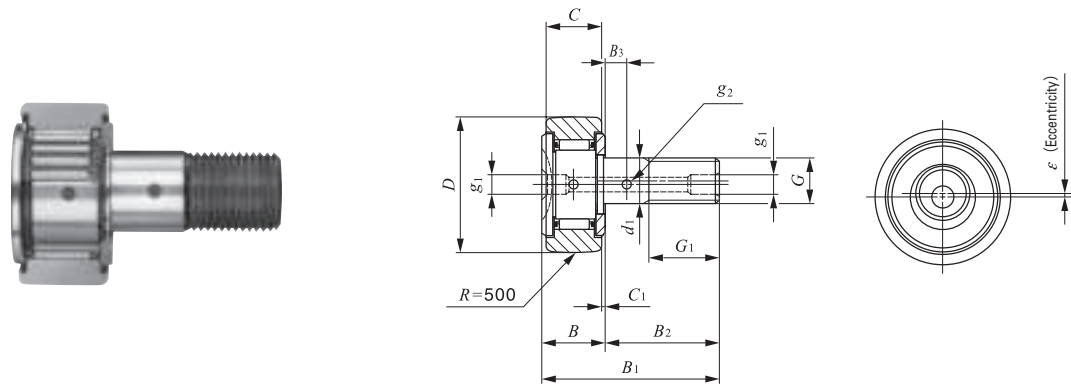
CFES··BUU

Boundary dimensions mm													Mounting dimension <i>f</i> Min. mm	Maximum tightening torque N·m	Basic dynamic load rating <i>C</i> N	Basic static load rating <i>C</i> ₀ N	Maximum allowable static load N
<i>G</i>	<i>G</i> ₁	<i>B</i> _{max}	<i>B</i> _{max}	<i>B</i> ₂	<i>B</i> ₃	<i>C</i> ₁	<i>g</i> ₁	<i>g</i> ₂	<i>H</i>	<i>r</i> _{smin} ⁽¹⁾	Eccentricity <i>ε</i>						
M 6×1	8	12.2	28.2	16	—	0.6	—	—	3	0.3	0.25	11	2.7	3 660	3 650	1 980	
M 8×1.25	10	12.2	32.2	20	—	0.6	—	—	4	0.3	0.25	13	6.5	4 250	4 740	4 670	
M10×1.25	12	13.2	36.2	23	—	0.6	—	—	4	0.3	0.3	16	13.8	5 430	6 890	6 890	
M10×1.25	12	13.2	36.2	23	—	0.6	—	—	4	0.3	0.3	16	13.8	5 430	6 890	6 890	
M12×1.5	13	15.2	40.2	25	6	0.6	6	3	6	0.6	0.4	21	21.9	7 910	9 790	9 790	
M12×1.5	13	15.2	40.2	25	6	0.6	6	3	6	0.6	0.4	21	21.9	7 910	9 790	9 790	
M16×1.5	17	19.6	52.1	32.5	8	0.8	6	3	6	0.6	0.5	26	58.5	12 000	18 300	18 300	
M18×1.5	19	21.6	58.1	36.5	8	0.8	6	3	8	1	0.6	29	86.2	14 800	25 200	25 200	



CAM FOLLOWERS

Solid Eccentric Stud Type Cam Followers With Cage/With Screwdriver Slot

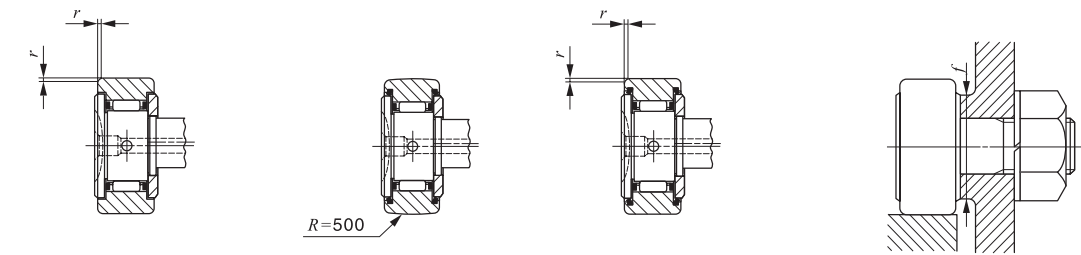


Stud dia. 6–18mm

CFES···R

Stud dia. mm	Identification number				Mass (Ref.) g	D	C	d ₁
	Shield type		Sealed type					
	With crowned outer ring	With cylindrical outer ring	With crowned outer ring	With cylindrical outer ring				
6	CFES 6 R	CFES 6	CFES 6 UUR	CFES 6 UU	18.5	16	11	6
8	CFES 8 R	CFES 8	CFES 8 UUR	CFES 8 UU	28.5	19	11	8
10	CFES 10 R	CFES 10	CFES 10 UUR	CFES 10 UU	45	22	12	10
	CFES 10-1 R	CFES 10-1	CFES 10-1 UUR	CFES 10-1 UU	60	26	12	10
12	CFES 12 R	CFES 12	CFES 12 UUR	CFES 12 UU	95	30	14	12
	CFES 12-1 R	CFES 12-1	CFES 12-1 UUR	CFES 12-1 UU	105	32	14	12
16	CFES 16 R	CFES 16	CFES 16 UUR	CFES 16 UU	170	35	18	16
18	CFES 18 R	CFES 18	CFES 18 UUR	CFES 18 UU	250	40	20	18

Note⁽¹⁾ Minimum allowable value of chamfer dimension *r*
 Remarks1. Models with a stud diameter *d*₁ of 10 mm or less (marked *) are provided with an oil hole on the stud head only. Other models are provided with one oil hole each on the head, outside surface and end surface of the stud.
 2. Sealed type models are provided with prepacked grease. Other models are not provided with prepacked grease. Perform proper lubrication for use.



CFES

CFES···UUR

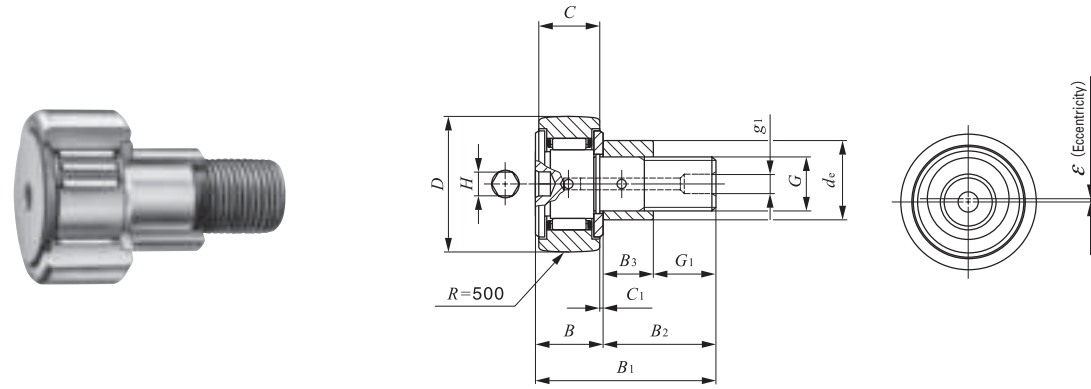
CFES···UU

Boundary dimensions mm											Eccentricity <i>f</i> Min. mm	Mounting dimension <i>f</i> Min. mm	Maximum tightening torque N-m	Basic dynamic load rating <i>C</i> N	Basic static load rating <i>C</i> ₀ N	Maximum allowable static load N
<i>G</i>	<i>G</i> ₁	<i>B</i> _{max}	<i>B</i> _{max}	<i>B</i> ₂	<i>B</i> ₃	<i>C</i> ₁	<i>g</i> ₁	<i>g</i> ₂	<i>r</i> _{smin} ⁽¹⁾	<i>ε</i>						
M 6×1	8	12.2	28.2	16	—	0.6	*4	—	0.3	0.25	11	2.7	3 660	3 650	1 980	
M 8×1.25	10	12.2	32.2	20	—	0.6	*4	—	0.3	0.25	13	6.5	4 250	4 740	4 670	
M10×1.25	12	13.2	36.2	23	—	0.6	*4	—	0.3	0.3	16	13.8	5 430	6 890	6 890	
M10×1.25	12	13.2	36.2	23	—	0.6	*4	—	0.3	0.3	16	13.8	5 430	6 890	6 890	
M12×1.5	13	15.2	40.2	25	6	0.6	6	3	0.6	0.4	21	21.9	7 910	9 790	9 790	
M12×1.5	13	15.2	40.2	25	6	0.6	6	3	0.6	0.4	21	21.9	7 910	9 790	9 790	
M16×1.5	17	19.6	52.1	32.5	8	0.8	6	3	0.6	0.5	26	58.5	12 000	18 300	18 300	
M18×1.5	19	21.6	58.1	36.5	8	0.8	6	3	1	0.6	29	86.2	14 800	25 200	25 200	



CAM FOLLOWERS

Eccentric Type Cam Followers With Cage/With Hexagon Hole

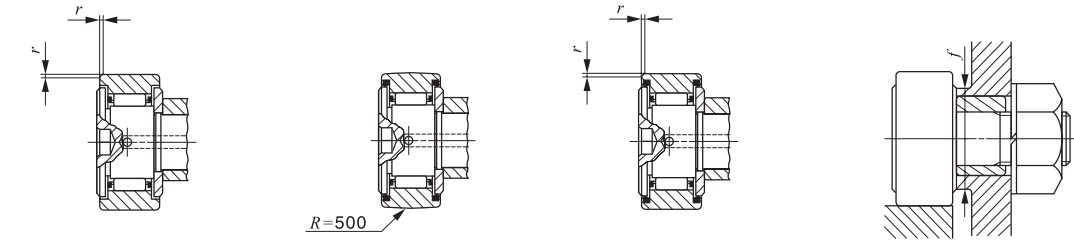


Outside diameter of eccentric collar 9—41 mm

CFE...BR

Outside diameter of eccentric collar mm	Identification number				Mass (Ref.) g	D	C	de
	Shield type		Sealed type					
	With crowned outer ring	With cylindrical outer ring	With crowned outer ring	With cylindrical outer ring				
9	CFE 6 BR	CFE 6 B	CFE 6 BUUR	CFE 6 BUU	20.5	16	11	9
	CFE 6-1 BR	CFE 6-1 B	CFE 6-1 BUUR	CFE 6-1 BUU				
11	CFE 8 BR	CFE 8 B	CFE 8 BUUR	CFE 8 BUU	32	19	11	11
	CFE 8-1 BR	CFE 8-1 B	CFE 8-1 BUUR	CFE 8-1 BUU				
13	CFE 10 BR	CFE 10 B	CFE 10 BUUR	CFE 10 BUU	49.5	22	12	13
	CFE 10-1 BR	CFE 10-1 B	CFE 10-1 BUUR	CFE 10-1 BUU				
16	CFE 12 BR	CFE 12 B	CFE 12 BUUR	CFE 12 BUU	105	30	14	16
	CFE 12-1 BR	CFE 12-1 B	CFE 12-1 BUUR	CFE 12-1 BUU				
22	CFE 16 BR	CFE 16 B	CFE 16 BUUR	CFE 16 BUU	190	35	18	22
	CFE 16-1 BR	CFE 16-1 B	CFE 16-1 BUUR	CFE 16-1 BUU				
24	CFE 18 BR	CFE 18 B	CFE 18 BUUR	CFE 18 BUU	280	40	20	24
	CFE 18-1 BR	CFE 18-1 B	CFE 18-1 BUUR	CFE 18-1 BUU				
27	CFE 20 BR	CFE 20 B	CFE 20 BUUR	CFE 20 BUU	500	52	24	27
	CFE 20-1 BR	CFE 20-1 B	CFE 20-1 BUUR	CFE 20-1 BUU				
33	CFE 24 BR	CFE 24 B	CFE 24 BUUR	CFE 24 BUU	895	62	29	33
	CFE 24-1 BR	CFE 24-1 B	CFE 24-1 BUUR	CFE 24-1 BUU				
41	CFE 30 BR	CFE 30 B	CFE 30 BUUR	CFE 30 BUU	2 030	80	35	41
	CFE 30-1 BR	CFE 30-1 B	CFE 30-1 BUUR	CFE 30-1 BUU				
	CFE 30-2 BR	CFE 30-2 B	CFE 30-2 BUUR	CFE 30-2 BUU				

Note(1) Minimum allowable value of chamfer dimension *r*
 Remarks1. Models with a stud thread diameter *G* of 10 mm or less have no oil hole. Other models are provided with one oil hole on the end surface of the stud.
 2. Shield type models with a stud thread diameter *G* of 10 mm or less and the sealed type models are provided with prepacked grease. Other models are not provided with prepacked grease. Perform proper lubrication for use.



CFE...B

CFE...BUUR

CFE...BUU

Boundary dimensions mm											Eccentricity ε	Mounting dimension <i>f</i> Min. mm	Maximum tightening torque N·m	Basic dynamic load rating <i>C</i> N	Basic static load rating <i>C</i> ₀ N	Maximum allowable static load N
<i>G</i>	<i>B</i> ₃	<i>B</i> _{max}	<i>B</i> _{1max}	<i>B</i> ₂	<i>C</i> ₁	<i>g</i> ₁	<i>G</i> ₁	<i>H</i>	<i>r</i> _{smin} ⁽¹⁾	<i>r</i>						
M 6×1	7.5	12.2	28.2	16	0.6	—	8.5	3	0.3	0.4	11	2.7	3 660	3 650	1 950	
M 8×1.25	9.5	12.2	32.2	20	0.6	—	10.5	4	0.3	0.4	13	6.5	4 250	4 740	4 620	
M10×1.25	10.5	13.2	36.2	23	0.6	—	12.5	4	0.3	0.4	16	13.8	5 430	6 890	6 890	
M10×1.25	10.5	13.2	36.2	23	0.6	—	12.5	4	0.3	0.4	16	13.8	5 430	6 890	6 890	
M12×1.5	11.5	15.2	40.2	25	0.6	6	13.5	6	0.6	0.8	21	21.9	7 910	9 790	9 790	
M12×1.5	11.5	15.2	40.2	25	0.6	6	13.5	6	0.6	0.8	21	21.9	7 910	9 790	9 790	
M16×1.5	15.5	19.6	52.1	32.5	0.8	6	17	6	0.6	0.8	26	58.5	12 000	18 300	18 300	
M18×1.5	17.5	21.6	58.1	36.5	0.8	6	19	8	1	0.8	29	86.2	14 800	25 200	25 200	
M20×1.5	19.5	25.6	66.1	40.5	0.8	8	21	8	1	0.8	34	119	20 700	34 600	34 600	
M20×1.5	19.5	25.6	66.1	40.5	0.8	8	21	8	1	0.8	34	119	20 700	34 600	34 600	
M24×1.5	25.5	30.6	80.1	49.5	0.8	8	24	12	1	0.8	40	215	30 500	52 600	52 000	
M24×1.5	25.5	30.6	80.1	49.5	0.8	8	24	12	1	0.8	40	215	30 500	52 600	52 000	
M30×1.5	32.5	37	100	63	1	8	30.5	17	1	1.5	49	438	45 400	85 100	85 100	
M30×1.5	32.5	37	100	63	1	8	30.5	17	1	1.5	49	438	45 400	85 100	85 100	
M30×1.5	32.5	37	100	63	1	8	30.5	17	1	1.5	49	438	45 400	85 100	85 100	

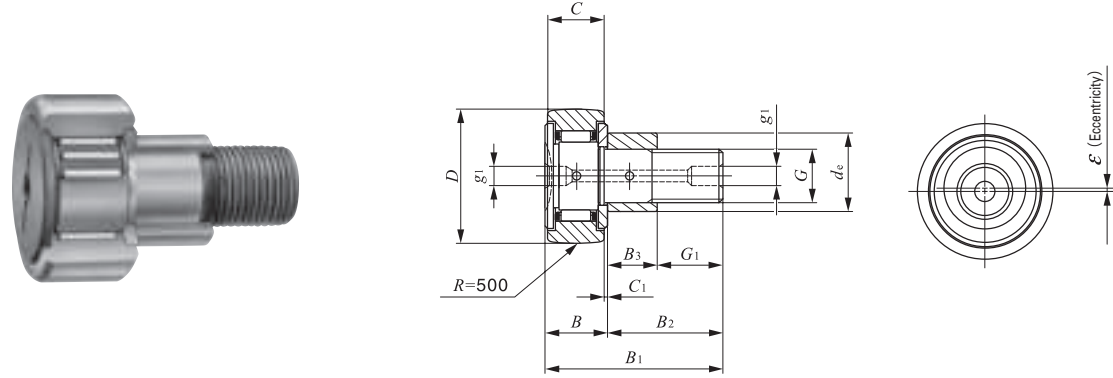
CF, NUCE, CFS, CRH





CAM FOLLOWERS

Eccentric Type Cam Followers With Cage/With Screwdriver Slot

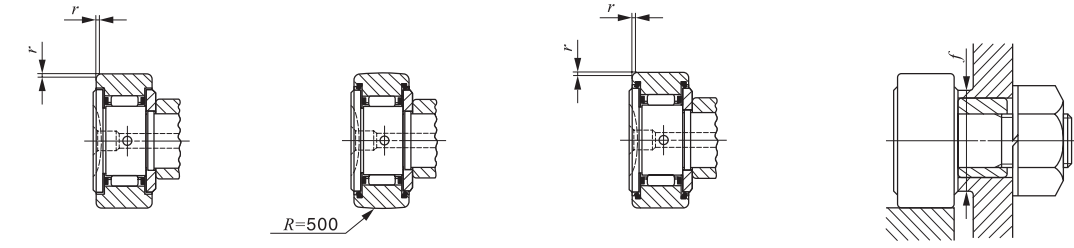


Outside diameter of eccentric collar 9—41 mm

CFE...R

Outside diameter of eccentric collar mm	Identification number				Mass (Ref.) g	D	C	d _e
	Shield type		Sealed type					
	With crowned outer ring	With cylindrical outer ring	With crowned outer ring	With cylindrical outer ring				
9	CFE 6 R	CFE 6	CFE 6 UUR	CFE 6 UU	20.5	16	11	9
11	CFE 8 R	CFE 8	CFE 8 UUR	CFE 8 UU	32	19	11	11
13	CFE 10 R	CFE 10	CFE 10 UUR	CFE 10 UU	49.5	22	12	13
	CFE 10-1 R	CFE 10-1	CFE 10-1 UUR	CFE 10-1 UU	65	26	12	13
16	CFE 12 R	CFE 12	CFE 12 UUR	CFE 12 UU	105	30	14	16
	CFE 12-1 R	CFE 12-1	CFE 12-1 UUR	CFE 12-1 UU	115	32	14	16
22	CFE 16 R	CFE 16	CFE 16 UUR	CFE 16 UU	190	35	18	22
24	CFE 18 R	CFE 18	CFE 18 UUR	CFE 18 UU	280	40	20	24
27	CFE 20 R	CFE 20	CFE 20 UUR	CFE 20 UU	500	52	24	27
	CFE 20-1 R	CFE 20-1	CFE 20-1 UUR	CFE 20-1 UU	425	47	24	27
33	CFE 24 R	CFE 24	CFE 24 UUR	CFE 24 UU	895	62	29	33
	CFE 24-1 R	CFE 24-1	CFE 24-1 UUR	CFE 24-1 UU	1 220	72	29	33
41	CFE 30 R	CFE 30	CFE 30 UUR	CFE 30 UU	2 030	80	35	41
	CFE 30-1 R	CFE 30-1	CFE 30-1 UUR	CFE 30-1 UU	2 190	85	35	41
	CFE 30-2 R	CFE 30-2	CFE 30-2 UUR	CFE 30-2 UU	2 380	90	35	41

Note⁽¹⁾ Minimum allowable value of chamfer dimension r
 Remarks1. Models with a stud thread diameter G of 10 mm or less (marked *) are provided with an oil hole on the stud head only. Other models are provided with one oil hole each on the head and end surface of the stud.
 2. Sealed type models are provided with prepacked grease. Other models are not provided with prepacked grease. Perform proper lubrication for use.



CFE

CFE...UUR

CFE...UU

Boundary dimensions mm										Eccentricity ε	Mounting dimension f Min. mm	Maximum tightening torque N-m	Basic dynamic load rating C N	Basic static load rating C ₀ N	Maximum allowable static load N
G	B ₃	B _{max}	B _{1max}	B ₂	C ₁	g ₁	G ₁	r ⁽¹⁾ _{smin}	r						
M 6×1	7.5	12.2	28.2	16	0.6	*4	8.5	0.3	0.4	11	2.7	3 660	3 650	1 950	
M 8×1.25	9.5	12.2	32.2	20	0.6	*4	10.5	0.3	0.4	13	6.5	4 250	4 740	4 620	
M10×1.25	10.5	13.2	36.2	23	0.6	*4	12.5	0.3	0.4	16	13.8	5 430	6 890	6 890	
M10×1.25	10.5	13.2	36.2	23	0.6	*4	12.5	0.3	0.4	16	13.8	5 430	6 890	6 890	
M12×1.5	11.5	15.2	40.2	25	0.6	6	13.5	0.6	0.8	21	21.9	7 910	9 790	9 790	
M12×1.5	11.5	15.2	40.2	25	0.6	6	13.5	0.6	0.8	21	21.9	7 910	9 790	9 790	
M16×1.5	15.5	19.6	52.1	32.5	0.8	6	17	0.6	0.8	26	58.5	12 000	18 300	18 300	
M18×1.5	17.5	21.6	58.1	36.5	0.8	6	19	1	0.8	29	86.2	14 800	25 200	25 200	
M20×1.5	19.5	25.6	66.1	40.5	0.8	8	21	1	0.8	34	119	20 700	34 600	34 600	
M20×1.5	19.5	25.6	66.1	40.5	0.8	8	21	1	0.8	34	119	20 700	34 600	34 600	
M24×1.5	25.5	30.6	80.1	49.5	0.8	8	24	1	0.8	40	215	30 500	52 600	52 000	
M24×1.5	25.5	30.6	80.1	49.5	0.8	8	24	1	0.8	40	215	30 500	52 600	52 000	
M30×1.5	32.5	37	100	63	1	8	30.5	1	1.5	49	438	45 400	85 100	85 100	
M30×1.5	32.5	37	100	63	1	8	30.5	1	1.5	49	438	45 400	85 100	85 100	
M30×1.5	32.5	37	100	63	1	8	30.5	1	1.5	49	438	45 400	85 100	85 100	

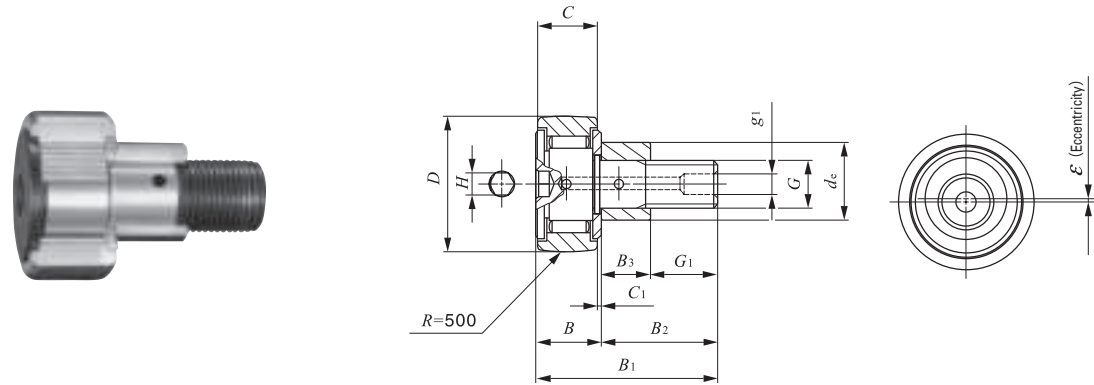
CF, NUCE, CFS, CRH





CAM FOLLOWERS

Eccentric Type Cam Followers Full Complement Type/With Hexagon Hole



Outside diameter of eccentric collar 9—41 mm

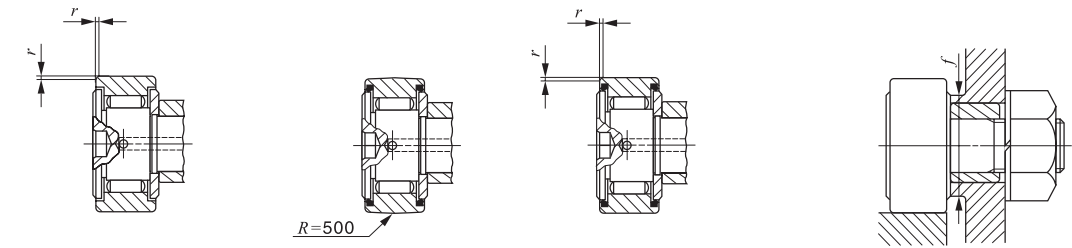
CFE...VBR

Outside diameter of eccentric collar mm	Identification number				Mass (Ref.) g	D	C	de
	Shield type		Sealed type					
	With crowned outer ring	With cylindrical outer ring	With crowned outer ring	With cylindrical outer ring				
9	CFE 6 VBR	CFE 6 VB	CFE 6 VBUUR	CFE 6 VBUU	21	16	11	9
11	CFE 8 VBR	CFE 8 VB	CFE 8 VBUUR	CFE 8 VBUU	32.5	19	11	11
13	CFE 10 VBR	CFE 10 VB	CFE 10 VBUUR	CFE 10 VBUU	50.5	22	12	13
	CFE 10-1 VBR	CFE 10-1 VB	CFE 10-1 VBUUR	CFE 10-1 VBUU	66	26	12	13
16	CFE 12 VBR	CFE 12 VB	CFE 12 VBUUR	CFE 12 VBUU	107	30	14	16
	CFE 12-1 VBR	CFE 12-1 VB	CFE 12-1 VBUUR	CFE 12-1 VBUU	117	32	14	16
22	CFE 16 VBR	CFE 16 VB	CFE 16 VBUUR	CFE 16 VBUU	193	35	18	22
24	CFE 18 VBR	CFE 18 VB	CFE 18 VBUUR	CFE 18 VBUU	285	40	20	24
27	CFE 20 VBR	CFE 20 VB	CFE 20 VBUUR	CFE 20 VBUU	505	52	24	27
	CFE 20-1 VBR	CFE 20-1 VB	CFE 20-1 VBUUR	CFE 20-1 VBUU	430	47	24	27
33	CFE 24 VBR	CFE 24 VB	CFE 24 VBUUR	CFE 24 VBUU	900	62	29	33
	CFE 24-1 VBR	CFE 24-1 VB	CFE 24-1 VBUUR	CFE 24-1 VBUU	1 220	72	29	33
41	CFE 30 VBR	CFE 30 VB	CFE 30 VBUUR	CFE 30 VBUU	2 030	80	35	41
	CFE 30-1 VBR	CFE 30-1 VB	CFE 30-1 VBUUR	CFE 30-1 VBUU	2 190	85	35	41
	CFE 30-2 VBR	CFE 30-2 VB	CFE 30-2 VBUUR	CFE 30-2 VBUU	2 380	90	35	41

Note(1) Minimum allowable value of chamfer dimension r

Remarks1. Models with a stud thread diameter G of 10 mm or less have no oil hole. Other models are provided with one oil hole on the end surface of the stud.

2. Provided with prepacked grease.



CFE...VB

CFE...VBUUR

CFE...VBUU

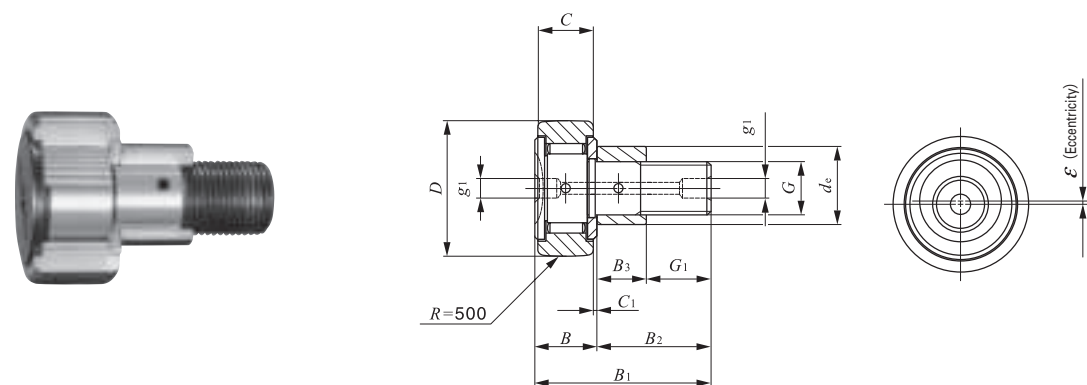
Boundary dimensions mm											Mounting dimension f Min. mm	Maximum tightening torque N-m	Basic dynamic load rating C N	Basic static load rating C ₀ N	Maximum allowable static load N
G	B ₃	B max	B ₁ max	B ₂	C ₁	g ₁	G ₁	H	r ⁽¹⁾ smin	Eccentricity ε					
M 6×1	7.5	12.2	28.2	16	0.6	—	8.5	3	0.3	0.4	11	2.7	6 980	8 500	1 950
M 8×1.25	9.5	12.2	32.2	20	0.6	—	10.5	4	0.3	0.4	13	6.5	8 170	11 200	4 620
M10×1.25	10.5	13.2	36.2	23	0.6	—	12.5	4	0.3	0.4	16	13.8	9 570	14 500	8 650
M10×1.25	10.5	13.2	36.2	23	0.6	—	12.5	4	0.3	0.4	16	13.8	9 570	14 500	8 650
M12×1.5	11.5	15.2	40.2	25	0.6	6	13.5	6	0.6	0.8	21	21.9	13 500	19 700	13 200
M12×1.5	11.5	15.2	40.2	25	0.6	6	13.5	6	0.6	0.8	21	21.9	13 500	19 700	13 200
M16×1.5	15.5	19.6	52.1	32.5	0.8	6	17	6	0.6	0.8	26	58.5	20 700	37 600	23 200
M18×1.5	17.5	21.6	58.1	36.5	0.8	6	19	8	1	0.8	29	86.2	25 300	51 300	31 100
M20×1.5	19.5	25.6	66.1	40.5	0.8	8	21	8	1	0.8	34	119	33 200	64 500	37 500
M20×1.5	19.5	25.6	66.1	40.5	0.8	8	21	8	1	0.8	34	119	33 200	64 500	37 500
M24×1.5	25.5	30.6	80.1	49.5	0.8	8	24	12	1	0.8	40	215	46 600	92 000	52 000
M24×1.5	25.5	30.6	80.1	49.5	0.8	8	24	12	1	0.8	40	215	46 600	92 000	52 000
M30×1.5	32.5	37	100	63	1	8	30.5	17	1	1.5	49	438	67 700	144 000	85 900
M30×1.5	32.5	37	100	63	1	8	30.5	17	1	1.5	49	438	67 700	144 000	85 900
M30×1.5	32.5	37	100	63	1	8	30.5	17	1	1.5	49	438	67 700	144 000	85 900





CAM FOLLOWERS

Eccentric Type Cam Followers Full Complement Type/With Screwdriver Slot

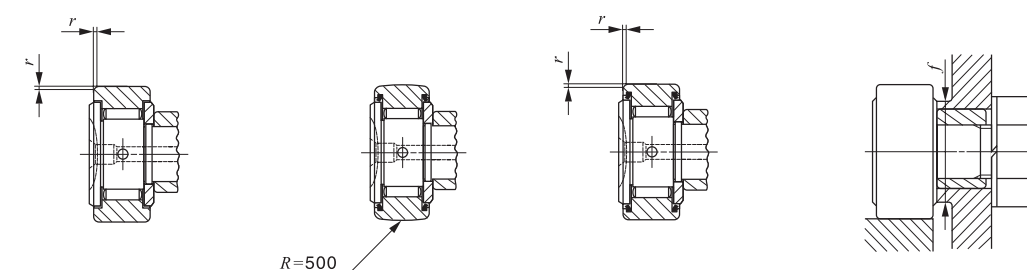


Outside diameter of eccentric collar 9—41 mm

CFE...VR

Outside diameter of eccentric collar mm	Identification number				Mass (Ref.) g	D	C	d _e
	Shield type		Sealed type					
	With crowned outer ring	With cylindrical outer ring	With crowned outer ring	With cylindrical outer ring				
9	CFE 6 VR	CFE 6 V	CFE 6 VUUR	CFE 6 VUU	21	16	11	9
11	CFE 8 VR	CFE 8 V	CFE 8 VUUR	CFE 8 VUU	32.5	19	11	11
13	CFE 10 VR	CFE 10 V	CFE 10 VUUR	CFE 10 VUU	50.5	22	12	13
	CFE 10-1 VR	CFE 10-1 V	CFE 10-1 VUUR	CFE 10-1 VUU				
16	CFE 12 VR	CFE 12 V	CFE 12 VUUR	CFE 12 VUU	107	30	14	16
	CFE 12-1 VR	CFE 12-1 V	CFE 12-1 VUUR	CFE 12-1 VUU				
22	CFE 16 VR	CFE 16 V	CFE 16 VUUR	CFE 16 VUU	193	35	18	22
24	CFE 18 VR	CFE 18 V	CFE 18 VUUR	CFE 18 VUU	285	40	20	24
27	CFE 20 VR	CFE 20 V	CFE 20 VUUR	CFE 20 VUU	505	52	24	27
	CFE 20-1 VR	CFE 20-1 V	CFE 20-1 VUUR	CFE 20-1 VUU				
33	CFE 24 VR	CFE 24 V	CFE 24 VUUR	CFE 24 VUU	900	62	29	33
	CFE 24-1 VR	CFE 24-1 V	CFE 24-1 VUUR	CFE 24-1 VUU				
41	CFE 30 VR	CFE 30 V	CFE 30 VUUR	CFE 30 VUU	2 030	80	35	41
	CFE 30-1 VR	CFE 30-1 V	CFE 30-1 VUUR	CFE 30-1 VUU	2 190	85	35	41
	CFE 30-2 VR	CFE 30-2 V	CFE 30-2 VUUR	CFE 30-2 VUU	2 380	90	35	41

Note⁽¹⁾ Minimum allowable value of chamfer dimension *r*
 Remarks1. Models with a stud thread diameter *G* of 10 mm or less (marked *) are provided with an oil hole on the stud head only. Other models are provided with one oil hole each on the head and end surface of the stud.
 2. Provided with prepacked grease.



CFE...V

CFE...VUUR

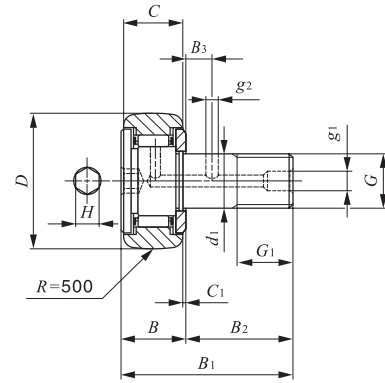
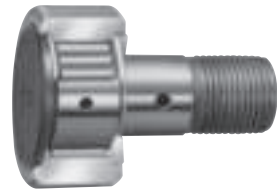
CFE...VUU

Boundary dimensions mm										Mounting dimension <i>f</i> Min. mm	Maximum tightening torque N·m	Basic dynamic load rating <i>C</i> N	Basic static load rating <i>C</i> ₀ N	Maximum allowable static load N
<i>G</i>	<i>B</i> ₃	<i>B</i> _{max}	<i>B</i> _{1max}	<i>B</i> ₂	<i>C</i> ₁	<i>g</i> ₁	<i>G</i> ₁	<i>r</i> _{s min} ⁽¹⁾	Eccentricity <i>ε</i>					
M 6×1	7.5	12.2	28.2	16	0.6	*4	8.5	0.3	0.4	11	2.7	6 980	8 500	1 950
M 8×1.25	9.5	12.2	32.2	20	0.6	*4	10.5	0.3	0.4	13	6.5	8 170	11 200	4 620
M10×1.25	10.5	13.2	36.2	23	0.6	*4	12.5	0.3	0.4	16	13.8	9 570	14 500	8 650
M10×1.25	10.5	13.2	36.2	23	0.6	*4	12.5	0.3	0.4	16	13.8	9 570	14 500	8 650
M12×1.5	11.5	15.2	40.2	25	0.6	6	13.5	0.6	0.8	21	21.9	13 500	19 700	13 200
M12×1.5	11.5	15.2	40.2	25	0.6	6	13.5	0.6	0.8	21	21.9	13 500	19 700	13 200
M16×1.5	15.5	19.6	52.1	32.5	0.8	6	17	0.6	0.8	26	58.5	20 700	37 600	23 200
M18×1.5	17.5	21.6	58.1	36.5	0.8	6	19	1	0.8	29	86.2	25 300	51 300	31 100
M20×1.5	19.5	25.6	66.1	40.5	0.8	8	21	1	0.8	34	119	33 200	64 500	37 500
M20×1.5	19.5	25.6	66.1	40.5	0.8	8	21	1	0.8	34	119	33 200	64 500	37 500
M24×1.5	25.5	30.6	80.1	49.5	0.8	8	24	1	0.8	40	215	46 600	92 000	52 000
M24×1.5	25.5	30.6	80.1	49.5	0.8	8	24	1	0.8	40	215	46 600	92 000	52 000
M30×1.5	32.5	37	100	63	1	8	30.5	1	1.5	49	438	67 700	144 000	85 900
M30×1.5	32.5	37	100	63	1	8	30.5	1	1.5	49	438	67 700	144 000	85 900
M30×1.5	32.5	37	100	63	1	8	30.5	1	1.5	49	438	67 700	144 000	85 900



CAM FOLLOWERS

Thrust Disk Type Cam Followers **With Cage/With Hexagon Hole**

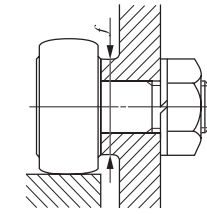
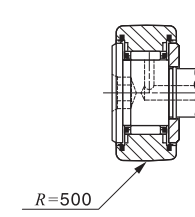


CF...WBR

Stud dia. 3–12mm

Stud dia. mm	Identification number		Mass (Ref.) g	Boundary dimensions mm				
	Shield type	Sealed type		D	C	d ₁	G	G ₁
3	CF 3 WBR	CF 3 WBUUR	4.3	10	7	3	M 3×0.5	5
4	CF 4 WBR	CF 4 WBUUR	7.4	12	8	4	M 4×0.7	6
5	CF 5 WBR	CF 5 WBUUR	10.3	13	9	5	M 5×0.8	7.5
6	CF 6 WBR	CF 6 WBUUR	18.5	16	11	6	M 6×1	8
8	CF 8 WBR	CF 8 WBUUR	28.5	19	11	8	M 8×1.25	10
10	CF 10 WBR	CF 10 WBUUR	45	22	12	10	M10×1.25	12
	CF 10-1 WBR	CF 10-1 WBUUR	60	26	12	10	M10×1.25	12
12	CF 12 WBR	CF 12 WBUUR	95	30	14	12	M12×1.5	13
	CF 12-1 WBR	CF 12-1 WBUUR	105	32	14	12	M12×1.5	13

Remarks1. Models with a stud diameter d_1 of 10 mm or less have no oil hole. Other models are provided with one oil hole each on the outside surface and end surface of the stud.
 2. Shield type models with a stud diameter d_1 of 10 mm or less and the sealed type models are provided with prepacked grease. Other models are not provided with prepacked grease. Perform proper lubrication for use.



CF...WBUUR

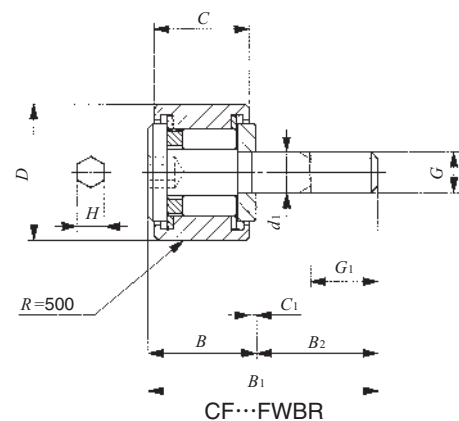
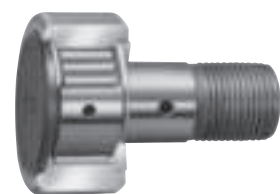
B	B ₁	B ₂	B ₃	C ₁	g ₁	g ₂	H	Mounting dimension f Min. mm	Maximum tightening torque N·m	Basic dynamic load rating C N	Basic static load rating C ₀ N	Maximum allowable static load N
8	17	9	—	0.5	—	—	2	6.8	0.34	1 500	1 020	384
9	20	11	—	0.5	—	—	2.5	8.3	0.78	2 070	1 590	834
10	23	13	—	0.5	—	—	3	9.3	1.6	2 520	2 140	1 260
12.2 max	28.2 max	16	—	0.6	—	—	3	11	2.7	3 660	3 650	1 950
12.2 max	32.2 max	20	—	0.6	—	—	4	13	6.5	4 250	4 740	4 620
13.2 max	36.2 max	23	—	0.6	—	—	4	16	13.8	5 430	6 890	6 890
13.2 max	36.2 max	23	—	0.6	—	—	4	16	13.8	5 430	6 890	6 890
15.2 max	40.2 max	25	6	0.6	6	3	6	21	21.9	7 910	9 790	9 790
15.2 max	40.2 max	25	6	0.6	6	3	6	21	21.9	7 910	9 790	9 790





CAM FOLLOWERS

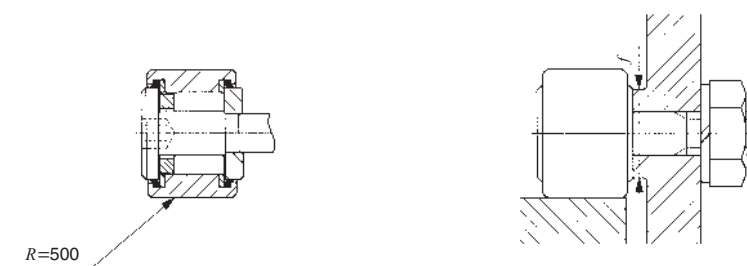
Thrust Disk Type Stainless Steel Made Cam Followers **With Cage/With Hexagon Hole**



Stud dia. 3–5mm

Stud dia. mm	Identification number				Mass (Ref.) g	Boundary dimensions mm				
	Shield type		Sealed type			D	C	d ₁	G	G ₁
3	CF 3	FWBR	CF 3	FWBUUR	4.3	10	7	3	M 3×0.5	5
4	CF 4	FWBR	CF 4	FWBUUR	7.4	12	8	4	M 4×0.7	6
5	CF 5	FWBR	CF 5	FWBUUR	10.3	13	9	5	M 5×0.8	7.5

Remarks1. No oil hole is provided.
2. Provided with prepacked grease.



CF...FWBUUR

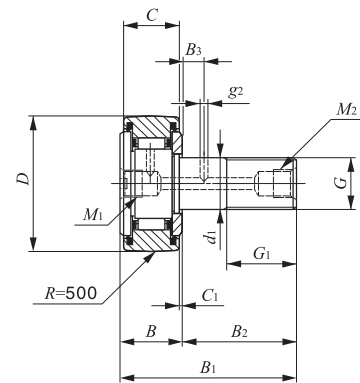
B	B ₁	B ₂	C ₁	H	Mounting dimension f Min. mm	Maximum tightening torque N-m	Basic dynamic load rating C N	Basic static load rating C ₀ N	Maximum allowable static load N
8	17	9	0.5	2	6.8	0.34	1 200	813	384
9	20	11	0.5	2.5	8.3	0.78	1 650	1 270	834
10	23	13	0.5	3	9.3	1.6	1 930	1 730	1 260





CAM FOLLOWERS

Centralized Lubrication Type Cam Followers With Cage/With Screwdriver Slot



CF...RU1

Stud dia. 6–30mm

Stud dia. mm	Identification number		Mass (Ref.) g	Boundary dimensions mm				
	With crowned outer ring	With cylindrical outer ring		D	C	d ₁	G	G ₁
6	CF-RU1- 6	CF-FU1- 6	18.5	16	11	6	M 6×1	8
8	CF-RU1- 8	CF-FU1- 8	28.5	19	11	8	M 8×1.25	10
10	CF-RU1-10 CF-RU1-10-1	CF-FU1-10 CF-FU1-10-1	45	22	12	10	M10×1.25	12
			60	26	12	10	M10×1.25	12
12	CF-RU1-12 CF-RU1-12-1	CF-FU1-12 CF-FU1-12-1	95	30	14	12	M12×1.5	13
			105	32	14	12	M12×1.5	13
16	CF-RU1-16	CF-FU1-16	170	35	18	16	M16×1.5	17
18	CF-RU1-18	CF-FU1-18	250	40	20	18	M18×1.5	19
20	CF-RU1-20 CF-RU1-20-1	CF-FU1-20 CF-FU1-20-1	460	52	24	20	M20×1.5	21
			385	47	24	20	M20×1.5	21
24	CF-RU1-24 CF-RU1-24-1	CF-FU1-24 CF-FU1-24-1	815	62	29	24	M24×1.5	25
			1 140	72	29	24	M24×1.5	25
30	CF-RU1-30 CF-RU1-30-1 CF-RU1-30-2	CF-FU1-30 CF-FU1-30-1 CF-FU1-30-2	1 870	80	35	30	M30×1.5	32
			2 030	85	35	30	M30×1.5	32
			2 220	90	35	30	M30×1.5	32

Note⁽¹⁾ Minimum allowable value of chamfer dimension r

Remarks1. Models with a stud diameter d₁ of 12 mm or less are provided with a lubrication tapped hole on the stud head only. Other models are provided with one lubrication tapped hole each on the head and end surface of the stud.

2. Provided with prepacked grease.



CF...FU1

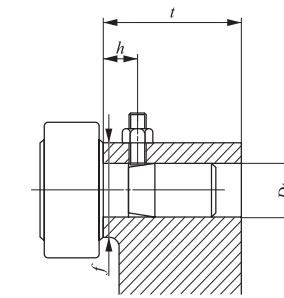
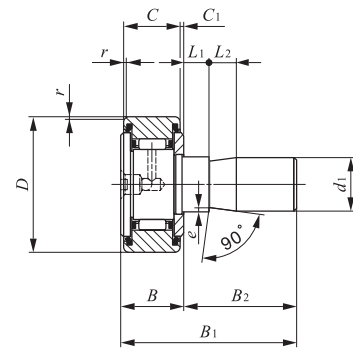
B _{max}	B _{max}	B ₂	B ₃	C ₁	g ₂	M ₁	M ₂	r _{s min} ⁽¹⁾	Mounting dimension f Min. mm	Maximum tightening torque N·m	Basic dynamic load rating C N	Basic static load rating C ₀ N	Maximum allowable static load N
12.2	28.2	16	—	0.6	—	M6× 0.75	—	0.3	11	2.7	3 660	3 650	1 950
12.2	32.2	20	—	0.6	—			0.3	13	6.5	4 250	4 740	4 620
13.2	36.2	23	—	0.6	—			0.3	16	13.8	5 430	6 890	6 890
13.2	36.2	23	—	0.6	—			0.3	16	13.8	5 430	6 890	6 890
15.2	40.2	25	—	0.6	—	PT 1/8	PT 1/8	0.6	21	23.9	7 910	9 790	9 790
15.2	40.2	25	—	0.6	—			0.6	21	23.9	7 910	9 790	9 790
19.6	52.1	32.5	8	0.8	3			0.6	26	58.5	12 000	18 300	18 300
21.6	58.1	36.5	8	0.8	3			1	29	86.2	14 800	25 200	25 200
25.6	66.1	40.5	9	0.8	4	PT 1/8	PT 1/8	1	34	119	20 700	34 600	34 600
25.6	66.1	40.5	9	0.8	4			1	34	119	20 700	34 600	34 600
30.6	80.1	49.5	11	0.8	4			1	40	215	30 500	52 600	52 000
30.6	80.1	49.5	11	0.8	4			1	40	215	30 500	52 600	52 000
37	100	63	15	1	4	PT 1/8	PT 1/8	1	49	438	45 400	85 100	85 100
37	100	63	15	1	4			1	49	438	45 400	85 100	85 100
37	100	63	15	1	4			1	49	438	45 400	85 100	85 100





CAM FOLLOWERS

Easy Mounting Type Cam Followers **With Cage/With Screwdriver Slot**



Stud dia. 6—20mm

CF...SFU

Stud dia. mm	Identification number	Mass (Ref.) g	Boundary dimensions mm							
			D	C	d ₁	B _{max}	B _{max}	B ₂	C ₁	L ₁
6	CF-SFU- 6	19.5	16	11	6	12.2	32	19.8	0.6	5
8	CF-SFU- 8	29	19	11	8	12.2	32	19.8	0.6	5
10	CF-SFU-10 CF-SFU-10-1	44	22	12	10	13.2	33	19.8	0.6	5
		59	26	12	10	13.2	33	19.8	0.6	5
12	CF-SFU-12 CF-SFU-12-1	94	30	14	12	15.2	35	19.8	0.6	5
		104	32	14	12	15.2	35	19.8	0.6	5
16	CF-SFU-16	164	35	18	16	19.6	44.5	24.9	0.8	10
18	CF-SFU-18	235	40	20	18	21.6	46.5	24.9	0.8	10
20	CF-SFU-20 CF-SFU-20-1	435	52	24	20	25.6	50.5	24.9	0.8	10
		360	47	24	20	25.6	50.5	24.9	0.8	10

Note⁽¹⁾ Minimum allowable value of chamfer dimension *r*
 Remarks1. No oil hole is provided.
 2. Provided with prepacked grease.

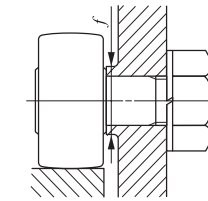
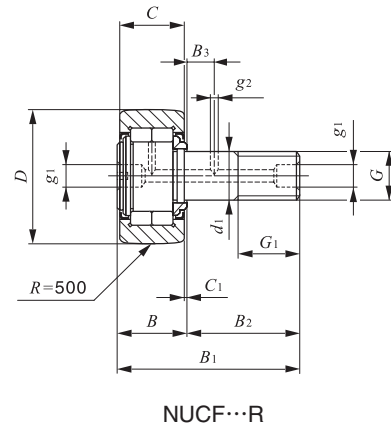
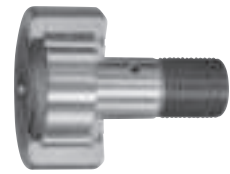
L ₂	e	r _{s min} ⁽¹⁾	Mounting dimensions mm					Basic dynamic load rating C N	Basic static load rating C ₀ N	Maximum allowable static load N
			D ₁	Tolerance	t Min.	f Min.	h (Ref.)			
10	0.3	0.3	6	+0.012 0	20	11	10	3 660	3 650	1 950
10	0.5	0.3	8	+0.015 0	20	13	10	4 250	4 740	4 620
10	0.5	0.3	10		20	16	10	5 430	6 890	6 890
10	0.5	0.3	10	+0.018 0	20	16	10	5 430	6 890	6 890
10	1	0.6	12		20	21	10	7 910	9 790	9 790
10	1	0.6	12	+0.018 0	20	21	10	7 910	9 790	9 790
10	1	0.6	16		25	26	15	12 000	18 300	18 300
10	1	1	18	+0.021 0	25	29	15	14 800	25 200	25 200
10	1	1	20		25	34	15	20 700	34 600	34 600
10	1	1	20	+0.021 0	25	34	15	20 700	34 600	34 600
10	1	1	20		25	34	15	20 700	34 600	34 600





CAM FOLLOWERS

Heavy Duty Type Cam Followers **Full Compliment Type/With Screwdriver Slot**



Stud dia. 10–30mm

Stud dia. mm	Identification number	Mass (Ref.) g	Boundary dimensions mm							
			D	C	d ₁	G	G ₁	B _{max}	B _{1max}	B ₂
10	NUCF 10 R	44	22	12	10	M10×1.25	12	13.2	36.2	23
	NUCF 10-1 R	58	26	12	10	M10×1.25	12	13.2	36.2	23
12	NUCF 12 R	86	30	14	12	M12×1.5	13	15.2	40.2	25
	NUCF 12-1 R	97	32	14	12	M12×1.5	13	15.2	40.2	25
16	NUCF 16 R	167	35	18	16	M16×1.5	17	19.6	52.1	32.5
18	NUCF 18 R	244	40	20	18	M18×1.5	19	21.6	58.1	36.5
20	NUCF 20 R	457	52	24	20	M20×1.5	21	25.6	66.1	40.5
	NUCF 20-1 R	384	47	24	20	M20×1.5	21	25.6	66.1	40.5
24	NUCF 24 R	789	62	29	24	M24×1.5	25	30.6	80.1	49.5
	NUCF 24-1 R	1 020	72	29	24	M24×1.5	25	30.6	80.1	49.5
30	NUCF 30 R	1 600	80	35	30	M30×1.5	32	37	100	63
	NUCF 30-2 R	1 970	90	35	30	M30×1.5	32	37	100	63

Remarks1. Models with a stud diameter d_1 of 10 mm or less (marked *) are provided with an oil hole on the stud head only. Other models are provided with one oil hole each on the head, outside surface and end surface of the stud.
2. Provided with prepacked grease.

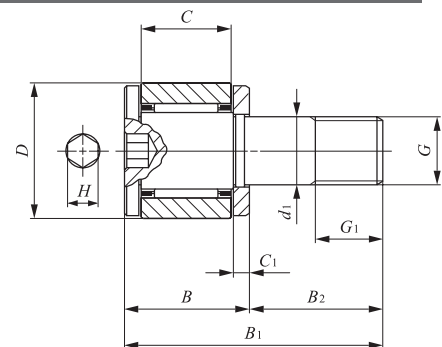
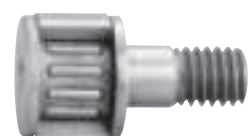
B ₃	C ₁	g ₁	g ₂	Mounting dimension f Min. mm	Maximum tightening torque N-m	Basic dynamic load rating C N	Basic static load rating C ₀ N	Maximum allowable static load N
—	0.6	*4	—	12	13.8	10 400	11 500	5 300
—	0.6	*4	—	12	13.8	10 400	11 500	9 210
6	0.6	6	3	17	21.9	14 000	13 400	5 650
6	0.6	6	3	17	21.9	14 000	13 400	9 040
8	0.8	6	3	20	58.5	23 400	27 300	11 800
8	0.8	6	3	22	86.2	25 200	30 900	20 300
9	0.8	8	4	31	119	43 100	58 100	30 000
9	0.8	8	4	27	119	38 900	49 000	27 200
11	0.8	8	4	38	215	58 200	75 300	35 200
11	0.8	8	4	44	215	63 900	88 800	57 000
15	1	8	4	45	438	90 300	121 000	98 300
15	1	8	4	45	438	90 300	121 000	98 300





CAM FOLLOWERS

Miniature Type Cam Followers **With Cage/With Hexagon Hole**
Full Complement Type/With Hexagon Hole

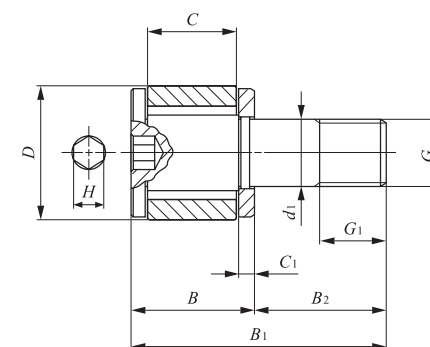


CFS

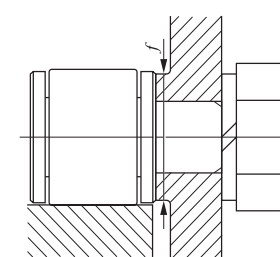
Stud dia. 2–6mm

Stud dia. mm	Identification number		Mass (Ref.) g	Boundary dimensions mm					
	With cage	Full complement		D	C	d ₁	G	G ₁	B
2	CFS 2	—	0.6	4.5	2.5	2	M2 × 0.4	2	4
	—	CFS 2 V	0.6	4.5	2.5	2	M2 × 0.4	2	4
2.5	CFS 2.5	—	1	5	3	2.5	M2.5 × 0.45	2.5	4.5
	—	CFS 2.5 V	1	5	3	2.5	M2.5 × 0.45	2.5	4.5
3	CFS 3	—	2	6	4	3	M3 × 0.5	3	5.5
	—	CFS 3 V	2	6	4	3	M3 × 0.5	3	5.5
4	CFS 4	—	4	8	5	4	M4 × 0.7	4	7
	—	CFS 4 V	4	8	5	4	M4 × 0.7	4	7
5	CFS 5	—	7	10	6	5	M5 × 0.8	5	8
	—	CFS 5 V	7	10	6	5	M5 × 0.8	5	8
6	CFS 6	—	13	12	7	6	M6 × 1	6	9.5
	—	CFS 6 V	13	12	7	6	M6 × 1	6	9.5

Remarks1. No oil hole is provided.
 2. Provided with prepacked grease.



CFS...V



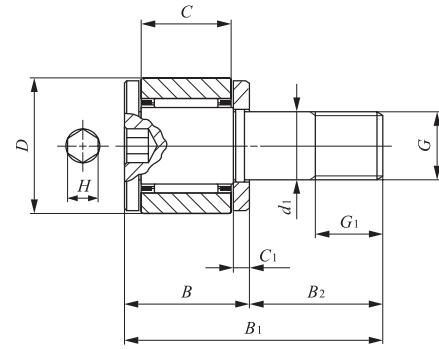
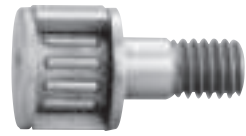
B ₁	B ₂	C ₁	H	Mounting dimension f Min. mm	Maximum tightening torque N·m	Basic dynamic load rating	Basic static load rating	Maximum allowable static load
						C	C ₀	
						N	N	N
8	4	0.7	0.9	4.3	9.1	288	202	202
8	4	0.7	0.9	4.3	9.1	768	734	229
9.5	5	0.7	0.9	4.8	18.7	428	351	351
9.5	5	0.7	0.9	4.8	18.7	1 000	1 080	360
11.5	6	0.7	1.3	5.8	33.5	629	611	484
11.5	6	0.7	1.3	5.8	33.5	1 420	1 790	484
15	8	1.0	1.5	7.7	77.7	1 120	1 120	919
15	8	1.0	1.5	7.7	77.7	2 370	3 000	919
18	10	1.0	2	9.6	158	1 570	1 850	1 570
18	10	1.0	2	9.6	158	3 180	4 700	1 570
21.5	12	1.2	2.5	11.6	268	2 090	2 200	2 150
21.5	12	1.2	2.5	11.6	268	4 610	6 250	2 150



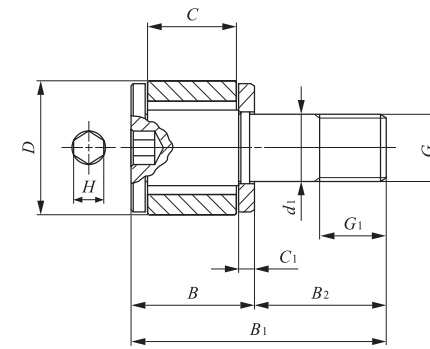


CAM FOLLOWERS

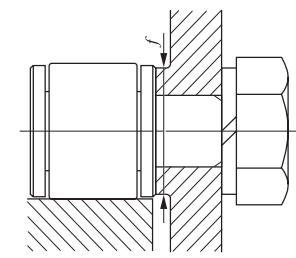
Miniature Type Cam Followers Stainless Steel Made **With Cage/With Hexagon Hole**
Full Complement Type/With Hexagon Hole



CFS...F



CFS...FV



Stud dia. 2–6mm

Stud dia. mm	Identification number		Mass (Ref.) g	Boundary dimensions mm					
	With cage	Full complement		D	C	d ₁	G	G ₁	B
2	CFS 2 F	—	0.6	4.5	2.5	2	M2 ×0.4	2	4
	—	CFS 2 FV	0.6	4.5	2.5	2	M2 ×0.4	2	4
2.5	CFS 2.5 F	—	1	5	3	2.5	M2.5×0.45	2.5	4.5
	—	CFS 2.5 FV	1	5	3	2.5	M2.5×0.45	2.5	4.5
3	CFS 3 F	—	2	6	4	3	M3 ×0.5	3	5.5
	—	CFS 3 FV	2	6	4	3	M3 ×0.5	3	5.5
4	CFS 4 F	—	4	8	5	4	M4 ×0.7	4	7
	—	CFS 4 FV	4	8	5	4	M4 ×0.7	4	7
5	CFS 5 F	—	7	10	6	5	M5 ×0.8	5	8
	—	CFS 5 FV	7	10	6	5	M5 ×0.8	5	8
6	CFS 6 F	—	13	12	7	6	M6 ×1	6	9.5
	—	CFS 6 FV	13	12	7	6	M6 ×1	6	9.5

Remarks1. No oil hole is provided.
 2. Provided with prepacked grease.

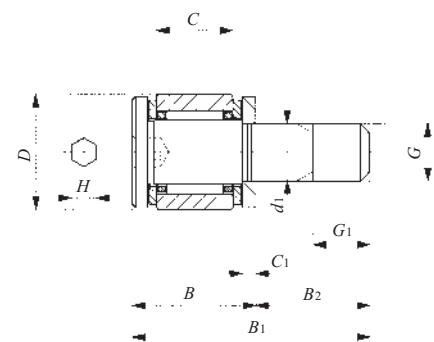
B ₁	B ₂	C ₁	H	Mounting dimension f Min. mm	Maximum tightening torque N-cm	Basic dynamic	Basic static	Maximum allowable static load N
						load rating C	load rating C ₀	
8	4	0.7	0.9	4.3	9.1	288	202	202
8	4	0.7	0.9	4.3	9.1	768	734	229
9.5	5	0.7	0.9	4.8	18.7	342	281	281
9.5	5	0.7	0.9	4.8	18.7	800	862	360
11.5	6	0.7	1.3	5.8	33.5	504	488	484
11.5	6	0.7	1.3	5.8	33.5	1 140	1 430	484
15	8	1.0	1.5	7.7	77.7	897	894	894
15	8	1.0	1.5	7.7	77.7	1 900	2 400	919
18	10	1.0	2	9.6	158	1 250	1 480	1 480
18	10	1.0	2	9.6	158	2 540	3 760	1 570
21.5	12	1.2	2.5	11.6	268	1 670	1 760	1 760
21.5	12	1.2	2.5	11.6	268	3 690	5 000	2 150





CAM FOLLOWERS

Thrust Disk Type Miniature Cam Followers **With Cage/With Hexagon Hole**

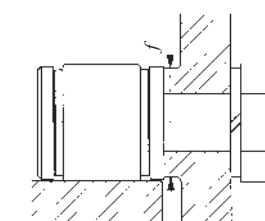


CFS... W

Stud dia. 2–6 mm

Stud dia. mm	Identification number	Mass (Ref.) g	Boundary dimensions mm					
			<i>D</i>	<i>C</i>	<i>d</i> ₁	<i>G</i>	<i>G</i> ₁	<i>B</i>
2	CFS 2 W	0.6	4.5	2.5	2	M2 × 0.4	2	4.5
2.5	CFS 2.5 W	1	5	3	2.5	M2.5 × 0.45	2.5	5
3	CFS 3 W	2	6	4	3	M3 × 0.5	3	6.5
4	CFS 4 W	4	8	5	4	M4 × 0.7	4	8
5	CFS 5 W	7	10	6	5	M5 × 0.8	5	9
6	CFS 6 W	13	12	7	6	M6 × 1	6	10.5

Remarks1. No oil hole is provided.
2. Provided with prepacked grease.



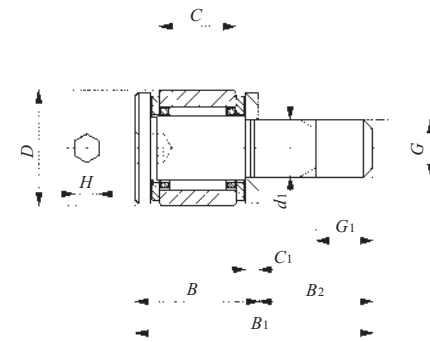
<i>B</i> ₁	<i>B</i> ₂	<i>C</i> ₁	<i>H</i>	Mounting dimension <i>f</i> Min. mm	Maximum tightening torque N-cm	Basic dynamic load rating <i>C</i> N	Basic static load rating <i>C</i> ₀ N	Maximum allowable static load N
8.5	4	0.7	0.9	4.3	9.1	288	202	194
10	5	0.7	0.9	4.8	18.7	428	351	313
12.5	6	0.7	1.3	5.8	33.5	629	611	399
16	8	1.0	1.5	7.7	77.7	1 120	1 120	785
19	10	1.0	2	9.6	158	1 570	1 850	1 370
22.5	12	1.2	2.5	11.6	268	2 090	2 200	1 920





CAM FOLLOWERS

Thrust Disk Type Miniature Cam Followers · Stainless Steel Made **With Cage/With Hexagon Hole**

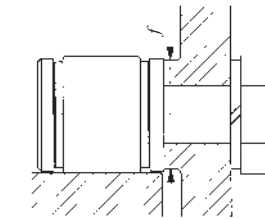


CFS...FW

Stud dia.2-6 mm

Stud dia. mm	Identification number	Mass (Ref.) g	Boundary dimensions mm					
			D	C	d ₁	G	G ₁	B
2	CFS 2 FW	0.6	4.5	2.5	2	M2 ×0.4	2	4.5
2.5	CFS 2.5 FW	1	5	3	2.5	M2.5×0.45	2.5	5
3	CFS 3 FW	2	6	4	3	M3 ×0.5	3	6.5
4	CFS 4 FW	4	8	5	4	M4 ×0.7	4	8
5	CFS 5 FW	7	10	6	5	M5 ×0.8	5	9
6	CFS 6 FW	13	12	7	6	M6 ×1	6	10.5

Remarks1. No oil hole is provided.
2. Provided with prepacked grease.



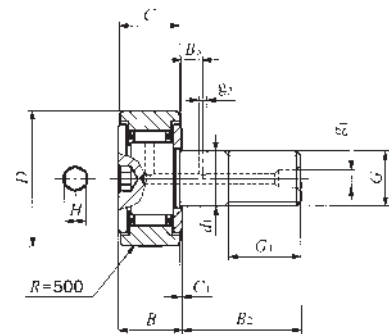
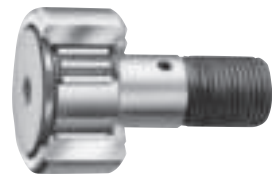
B ₁	B ₂	C ₁	H	Mounting dimension f Min. mm	Maximum tightening torque N-cm	Basic dynamic load rating C N	Basic static load rating C ₀ N	Maximum allowable static load N
8.5	4	0.7	0.9	4.3	9.1	230	161	161
10	5	0.7	0.9	4.8	18.7	342	281	281
12.5	6	0.7	1.3	5.8	33.5	504	488	399
16	8	1.0	1.5	7.7	77.7	897	894	785
19	10	1.0	2	9.6	158	1 250	1 480	1 370
22.5	12	1.2	2.5	11.6	268	1 670	1 760	1 760





CAM FOLLOWERS

Inch Series Cam Followers **With Cage/With Hexagon Hole**

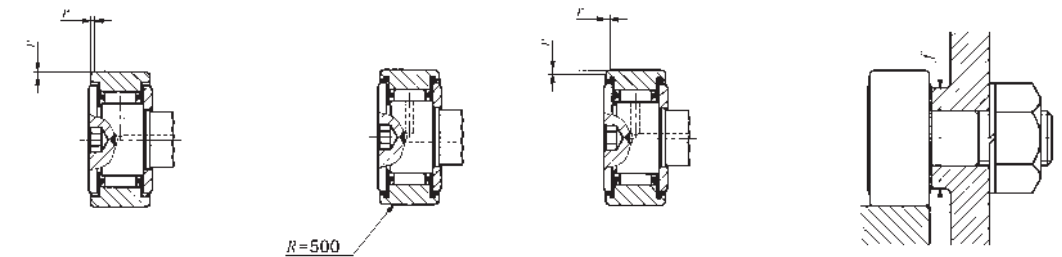


CR...BR

Stud dia. 4.826 – 22.225 mm

Stud dia. mm (inch)	Identification number				Mass (Ref.) g	Boundary dimensions mm (inch)				
	Shield type		Sealed type			D	C	d ₁	G UNF	G ₁
	With crowned outer ring	With cylindrical outer ring	With crowned outer ring	With cylindrical outer ring						
4.826	CR 8 BR	CR 8 B	CR 8 BUUR	CR 8 BUU	9	12.700 (1/2)	8.731 (11/32)	4.826	No.10-32	6.350 (1/4)
	CR 8-1 BR	CR 8-1 B	CR 8-1 BUUR	CR 8-1 BUU	10	12.700 (1/2)	9.525 (3/8)	4.826	No.10-32	6.350 (1/4)
6.350 (1/4)	CR 10 BR	CR 10 B	CR 10 BUUR	CR 10 BUU	19	15.875 (5/8)	10.319 (13/32)	6.350 (1/4)	1/4 - 28	7.938 (5/16)
	CR 10-1 BR	CR 10-1 B	CR 10-1 BUUR	CR 10-1 BUU	21	15.875 (5/8)	11.112 (7/16)	6.350 (1/4)	1/4 - 28	7.938 (5/16)
9.525 (3/8)	CR 12 BR	CR 12 B	CR 12 BUUR	CR 12 BUU	35	19.050 (3/4)	12.700 (1/2)	9.525 (3/8)	3/8 - 24	9.525 (3/8)
	CR 14 BR	CR 14 B	CR 14 BUUR	CR 14 BUU	46	22.225 (7/8)	12.700 (1/2)	9.525 (3/8)	3/8 - 24	9.525 (3/8)
11.112 (7/16)	CR 16 BR	CR 16 B	CR 16 BUUR	CR 16 BUU	73	25.400 (1)	15.875 (5/8)	11.112 (7/16)	7/16 - 20	12.700 (1/2)
	CR 18 BR	CR 18 B	CR 18 BUUR	CR 18 BUU	88	28.575 (1 1/8)	15.875 (5/8)	11.112 (7/16)	7/16 - 20	12.700 (1/2)
12.700 (1/2)	CR 20 BR	CR 20 B	CR 20 BUUR	CR 20 BUU	132	31.750 (1 1/4)	19.050 (3/4)	12.700 (1/2)	1/2 - 20	15.875 (5/8)
	CR 22 BR	CR 22 B	CR 22 BUUR	CR 22 BUU	157	34.925 (1 3/8)	19.050 (3/4)	12.700 (1/2)	1/2 - 20	15.875 (5/8)
15.875 (5/8)	CR 24 BR	CR 24 B	CR 24 BUUR	CR 24 BUU	225	38.100 (1 1/2)	22.225 (7/8)	15.875 (5/8)	5/8 - 18	19.050 (3/4)
	CR 26 BR	CR 26 B	CR 26 BUUR	CR 26 BUU	260	41.275 (1 5/8)	22.225 (7/8)	15.875 (5/8)	5/8 - 18	19.050 (3/4)
19.050 (3/4)	CR 28 BR	CR 28 B	CR 28 BUUR	CR 28 BUU	365	44.450 (1 3/4)	25.400 (1)	19.050 (3/4)	3/4 - 16	22.225 (7/8)
	CR 30 BR	CR 30 B	CR 30 BUUR	CR 30 BUU	410	47.625 (1 7/8)	25.400 (1)	19.050 (3/4)	3/4 - 16	22.225 (7/8)
22.225 (7/8)	CR 32 BR	CR 32 B	CR 32 BUUR	CR 32 BUU	615	50.800 (2)	31.750 (1 1/4)	22.225 (7/8)	7/8 - 14	25.400 (1)
	CR 36 BR	CR 36 B	CR 36 BUUR	CR 36 BUU	750	57.150 (2 1/4)	31.750 (1 1/4)	22.225 (7/8)	7/8 - 14	25.400 (1)

Remarks1. Models with a stud diameter d_1 of 6.35 mm or less have no oil hole. Other models are provided with one oil hole each on the outside surface and end surface of the stud.
2. Provided with prepacked grease.



CR...B

CR...BUUR

CR...BUU

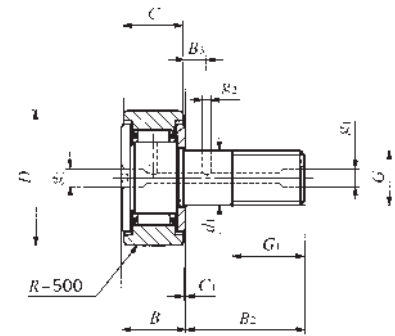
Boundary dimensions mm (inch)								Mounting dimension f Min. mm (inch)	Maximum tightening torque N-m	Basic dynamic load rating C N	Basic static load rating C ₀ N
B max	B ₂	B ₃	C ₁	g ₁	g ₂	H	r				
10.2 (0.40)	12.700 (1/2)	— (—)	0.794 (1/32)	— (—)	— (—)	3.175 (1/8)	0.397 (1/64)	8.334 (21/64)	1.4	2 520	2 140
10.9 (0.43)	15.875 (5/8)	— (—)	0.794 (1/32)	— (—)	— (—)	3.175 (1/8)	0.397 (1/64)	8.334 (21/64)	1.4	2 520	2 140
11.8 (0.46)	15.875 (5/8)	— (—)	0.794 (1/32)	— (—)	— (—)	3.175 (1/8)	0.397 (1/64)	11.509 (29/64)	3.4	3 650	3 670
12.5 (0.49)	19.050 (3/4)	— (—)	0.794 (1/32)	— (—)	— (—)	3.175 (1/8)	0.397 (1/64)	11.509 (29/64)	3.4	3 650	3 670
14.2 (0.56)	22.225 (7/8)	6.350 (1/4)	0.794 (1/32)	4.762 (3/16)	2.381 (3/32)	4.762 (3/16)	0.794 (1/32)	13.494 (17/32)	10.8	4 420	5 110
14.2 (0.56)	22.225 (7/8)	6.350 (1/4)	0.794 (1/32)	4.762 (3/16)	2.381 (3/32)	4.762 (3/16)	0.794 (1/32)	15.081 (19/32)	10.8	4 790	5 810
17.3 (0.68)	25.400 (1)	6.350 (1/4)	0.794 (1/32)	4.762 (3/16)	3.175 (1/8)	6.350 (1/4)	1.191 (3/64)	17.859 (45/64)	17.4	8 810	10 800
17.3 (0.68)	25.400 (1)	6.350 (1/4)	0.794 (1/32)	4.762 (3/16)	3.175 (1/8)	6.350 (1/4)	1.588 (1/16)	19.050 (3/4)	17.4	9 180	11 600
20.4 (0.80)	31.750 (1 1/4)	7.938 (5/16)	0.794 (1/32)	4.762 (3/16)	3.175 (1/8)	6.350 (1/4)	1.588 (1/16)	21.828 (55/64)	27.7	14 200	16 000
20.4 (0.80)	31.750 (1 1/4)	7.938 (5/16)	0.794 (1/32)	4.762 (3/16)	3.175 (1/8)	6.350 (1/4)	1.588 (1/16)	21.828 (55/64)	27.7	14 200	16 000
23.6 (0.93)	38.100 (1 1/2)	9.525 (3/8)	0.794 (1/32)	4.762 (3/16)	3.969 (5/32)	7.938 (5/16)	1.588 (1/16)	26.196 (1 3/64)	55.7	18 600	24 300
23.6 (0.93)	38.100 (1 1/2)	9.525 (3/8)	0.794 (1/32)	4.762 (3/16)	3.969 (5/32)	7.938 (5/16)	1.588 (1/16)	26.196 (1 3/64)	55.7	18 600	24 300
26.8 (1.06)	44.450 (1 3/4)	11.112 (7/16)	0.794 (1/32)	4.762 (3/16)	3.969 (5/32)	7.938 (5/16)	1.588 (1/16)	32.543 (1 9/32)	100	25 100	38 200
26.8 (1.06)	44.450 (1 3/4)	11.112 (7/16)	0.794 (1/32)	4.762 (3/16)	3.969 (5/32)	7.938 (5/16)	1.588 (1/16)	32.543 (1 9/32)	100	25 100	38 200
33.5 (1.32)	50.800 (2)	12.700 (1/2)	0.794 (1/32)	4.762 (3/16)	4.762 (3/16)	11.112 (7/16)	1.588 (1/16)	37.306 (1 15/32)	162	32 500	63 900
33.5 (1.32)	50.800 (2)	12.700 (1/2)	0.794 (1/32)	4.762 (3/16)	4.762 (3/16)	11.112 (7/16)	1.588 (1/16)	37.306 (1 15/32)	162	32 500	63 900





CAM FOLLOWERS

Inch Series Cam Followers With Cage/With Screwdriver Slot

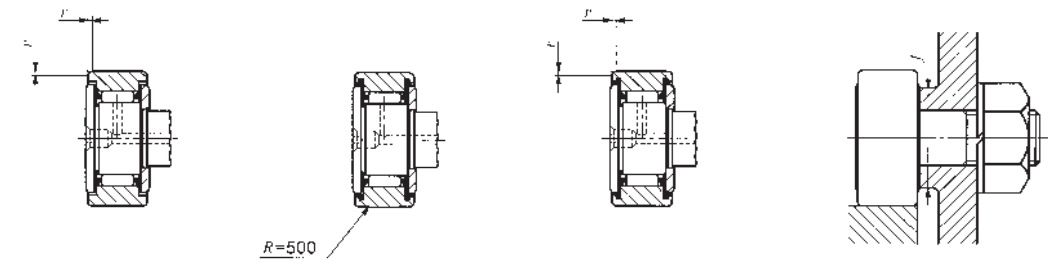


Stud dia. 4.826 – 22.225 mm

CR...R

Stud dia. mm (inch)	Identification number				Mass (Ref.) g	Boundary dimensions mm (inch)				
	Shield type		Sealed type			D	C	d ₁	G UNF	G ₁
	With crowned outer ring	With cylindrical outer ring	With crowned outer ring	With cylindrical outer ring						
4.826	CR 8 R	CR 8	CR 8 UUR	CR 8 UU	9	12.700 (1/2)	8.731 (11/32)	4.826	No.10-32	6.350 (1/4)
	CR 8-1 R	CR 8-1	CR 8-1 UUR	CR 8-1 UU	10	12.700 (1/2)	9.525 (3/8)	4.826	No.10-32	6.350 (1/4)
6.350 (1/4)	CR 10 R	CR 10	CR 10 UUR	CR 10 UU	19	15.875 (5/8)	10.319 (13/32)	6.350 (1/4)	1/4 - 28	7.938 (5/16)
	CR 10-1 R	CR 10-1	CR 10-1 UUR	CR 10-1 UU	21	15.875 (5/8)	11.112 (7/16)	6.350 (1/4)	1/4 - 28	7.938 (5/16)
9.525 (3/8)	CR 12 R	CR 12	CR 12 UUR	CR 12 UU	35	19.050 (3/4)	12.700 (1/2)	9.525 (3/8)	3/8 - 24	9.525 (3/8)
	CR 14 R	CR 14	CR 14 UUR	CR 14 UU	46	22.225 (7/8)	12.700 (1/2)	9.525 (3/8)	3/8 - 24	9.525 (3/8)
11.112 (7/16)	CR 16 R	CR 16	CR 16 UUR	CR 16 UU	73	25.400 (1)	15.875 (5/8)	11.112 (7/16)	7/16 - 20	12.700 (1/2)
	CR 18 R	CR 18	CR 18 UUR	CR 18 UU	88	28.575 (1 1/8)	15.875 (5/8)	11.112 (7/16)	7/16 - 20	12.700 (1/2)
12.700 (1/2)	CR 20 R	CR 20	CR 20 UUR	CR 20 UU	132	31.750 (1 1/4)	19.050 (3/4)	12.700 (1/2)	1/2 - 20	15.875 (5/8)
	CR 22 R	CR 22	CR 22 UUR	CR 22 UU	157	34.925 (1 3/8)	19.050 (3/4)	12.700 (1/2)	1/2 - 20	15.875 (5/8)
15.875 (5/8)	CR 24 R	CR 24	CR 24 UUR	CR 24 UU	225	38.100 (1 1/2)	22.225 (7/8)	15.875 (5/8)	5/8 - 18	19.050 (3/4)
	CR 26 R	CR 26	CR 26 UUR	CR 26 UU	260	41.275 (1 5/8)	22.225 (7/8)	15.875 (5/8)	5/8 - 18	19.050 (3/4)
19.050 (3/4)	CR 28 R	CR 28	CR 28 UUR	CR 28 UU	365	44.450 (1 3/4)	25.400 (1)	19.050 (3/4)	3/4 - 16	22.225 (7/8)
	CR 30 R	CR 30	CR 30 UUR	CR 30 UU	410	47.625 (1 7/8)	25.400 (1)	19.050 (3/4)	3/4 - 16	22.225 (7/8)
22.225 (7/8)	CR 32 R	CR 32	CR 32 UUR	CR 32 UU	615	50.800 (2)	31.750 (1 1/4)	22.225 (7/8)	7/8 - 14	25.400 (1)
	CR 36 R	CR 36	CR 36 UUR	CR 36 UU	750	57.150 (2 1/4)	31.750 (1 1/4)	22.225 (7/8)	7/8 - 14	25.400 (1)

Remarks1. Models with a stud diameter d_1 of 6.35 mm or less (marked *) are provided with an oil hole on the stud head only. Other models are provided with one oil hole each on the head, outside surface and end surface of the stud.
2. Provided with prepacked grease.



CR

CR...UUR

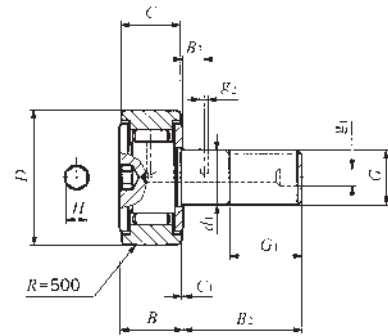
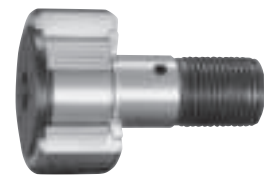
CR...UU

Boundary dimensions mm (inch)							Mounting dimension f Min. mm (inch)	Maximum tightening torque N·m	Basic dynamic load rating C N	Basic static load rating C ₀ N
B max	B ₂	B ₃	C ₁	g ₁	g ₂	r				
10.2 (0.40)	12.700 (1/2)	— (—)	0.794 (1/32)	*3.175 (1/8)	— (—)	0.397 (1/64)	8.334 (21/64)	1.4	2 520	2 140
10.9 (0.43)	15.875 (5/8)	— (—)	0.794 (1/32)	*3.175 (1/8)	— (—)	0.397 (1/64)	8.334 (21/64)	1.4	2 520	2 140
11.8 (0.46)	15.875 (5/8)	— (—)	0.794 (1/32)	*3.175 (1/8)	— (—)	0.397 (1/64)	11.509 (29/64)	3.4	3 650	3 670
12.5 (0.49)	19.050 (3/4)	— (—)	0.794 (1/32)	*3.175 (1/8)	— (—)	0.397 (1/64)	11.509 (29/64)	3.4	3 650	3 670
14.2 (0.56)	22.225 (7/8)	6.350 (1/4)	0.794 (1/32)	4.762 (3/16)	2.381 (3/32)	0.794 (1/32)	13.494 (17/32)	10.8	4 420	5 110
14.2 (0.56)	22.225 (7/8)	6.350 (1/4)	0.794 (1/32)	4.762 (3/16)	2.381 (3/32)	0.794 (1/32)	15.081 (19/32)	10.8	4 790	5 810
17.3 (0.68)	25.400 (1)	6.350 (1/4)	0.794 (1/32)	4.762 (3/16)	3.175 (1/8)	1.191 (3/64)	17.859 (45/64)	17.4	8 810	10 800
17.3 (0.68)	25.400 (1)	6.350 (1/4)	0.794 (1/32)	4.762 (3/16)	3.175 (1/8)	1.588 (1/16)	19.050 (3/4)	17.4	9 180	11 600
20.4 (0.80)	31.750 (1 1/4)	7.938 (5/16)	0.794 (1/32)	4.762 (3/16)	3.175 (1/8)	1.588 (1/16)	21.828 (55/64)	27.7	14 200	16 000
20.4 (0.80)	31.750 (1 1/4)	7.938 (5/16)	0.794 (1/32)	4.762 (3/16)	3.175 (1/8)	1.588 (1/16)	21.828 (55/64)	27.7	14 200	16 000
23.6 (0.93)	38.100 (1 1/2)	9.525 (3/8)	0.794 (1/32)	4.762 (3/16)	3.969 (5/32)	1.588 (1/16)	26.196 (1 3/64)	55.7	18 600	24 300
23.6 (0.93)	38.100 (1 1/2)	9.525 (3/8)	0.794 (1/32)	4.762 (3/16)	3.969 (5/32)	1.588 (1/16)	26.196 (1 3/64)	55.7	18 600	24 300
26.8 (1.06)	44.450 (1 3/4)	11.112 (7/16)	0.794 (1/32)	4.762 (3/16)	3.969 (5/32)	1.588 (1/16)	32.543 (1 9/32)	100	25 100	38 200
26.8 (1.06)	44.450 (1 3/4)	11.112 (7/16)	0.794 (1/32)	4.762 (3/16)	3.969 (5/32)	1.588 (1/16)	32.543 (1 9/32)	100	25 100	38 200
33.5 (1.32)	50.800 (2)	12.700 (1/2)	0.794 (1/32)	4.762 (3/16)	4.762 (3/16)	1.588 (1/16)	37.306 (1 15/32)	162	32 500	63 900
33.5 (1.32)	50.800 (2)	12.700 (1/2)	0.794 (1/32)	4.762 (3/16)	4.762 (3/16)	1.588 (1/16)	37.306 (1 15/32)	162	32 500	63 900



CAM FOLLOWERS

Inch Series Cam Followers **Full Complement Type/With Hexagon Hole**

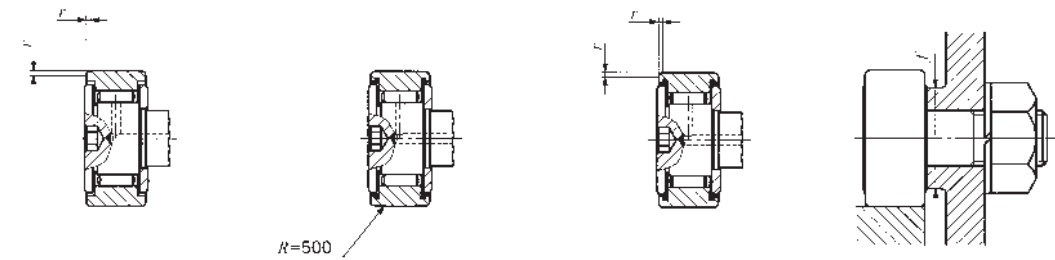


Stud dia. 4.826 – 22.225 mm

CR...VBR

Stud dia. mm (inch)	Identification number				Mass (Ref.) g	Boundary dimensions mm (inch)				
	Shield type		Sealed type			D	C	d ₁	G UNF	G ₁
	With crowned outer ring	With cylindrical outer ring	With crowned outer ring	With cylindrical outer ring						
4.826	CR 8 VBR	CR 8 VB	CR 8 VBUUR	CR 8 VBUU	9	12.700 (1/2)	8.731 (11/32)	4.826	No.10-32	6.350 (1/4)
	CR 8-1 VBR	CR 8-1VB	CR 8-1 VBUUR	CR 8-1 VBUU	10	12.700 (1/2)	9.525 (3/8)	4.826	No.10-32	6.350 (1/4)
6.350 (1/4)	CR 10 VBR	CR 10 VB	CR 10 VBUUR	CR 10 VBUU	19	15.875 (5/8)	10.319 (13/32)	6.350 (1/4)	1/4 - 28	7.938 (5/16)
	CR 10-1 VBR	CR 10-1VB	CR 10-1 VBUUR	CR 10-1 VBUU	21	15.875 (5/8)	11.112 (7/16)	6.350 (1/4)	1/4 - 28	7.938 (5/16)
9.525 (3/8)	CR 12 VBR	CR 12 VB	CR 12 VBUUR	CR 12 VBUU	36	19.050 (3/4)	12.700 (1/2)	9.525 (3/8)	3/8 - 24	9.525 (3/8)
	CR 14 VBR	CR 14 VB	CR 14 VBUUR	CR 14 VBUU	47	22.225 (7/8)	12.700 (1/2)	9.525 (3/8)	3/8 - 24	9.525 (3/8)
11.112 (7/16)	CR 16 VBR	CR 16 VB	CR 16 VBUUR	CR 16 VBUU	74	25.400 (1)	15.875 (5/8)	11.112 (7/16)	7/16 - 20	12.700 (1/2)
	CR 18 VBR	CR 18 VB	CR 18 VBUUR	CR 18 VBUU	85	28.575 (1 1/8)	15.875 (5/8)	11.112 (7/16)	7/16 - 20	12.700 (1/2)
12.700 (1/2)	CR 20 VBR	CR 20 VB	CR 20 VBUUR	CR 20 VBUU	137	31.750 (1 1/4)	19.050 (3/4)	12.700 (1/2)	1/2 - 20	15.875 (5/8)
	CR 22 VBR	CR 22 VB	CR 22 VBUUR	CR 22 VBUU	160	34.925 (1 3/8)	19.050 (3/4)	12.700 (1/2)	1/2 - 20	15.875 (5/8)
15.875 (5/8)	CR 24 VBR	CR 24 VB	CR 24 VBUUR	CR 24 VBUU	230	38.100 (1 1/2)	22.225 (7/8)	15.875 (5/8)	5/8 - 18	19.050 (3/4)
	CR 26 VBR	CR 26 VB	CR 26 VBUUR	CR 26 VBUU	265	41.275 (1 5/8)	22.225 (7/8)	15.875 (5/8)	5/8 - 18	19.050 (3/4)
19.050 (3/4)	CR 28 VBR	CR 28 VB	CR 28 VBUUR	CR 28 VBUU	372	44.450 (1 3/4)	25.400 (1)	19.050 (3/4)	3/4 - 16	22.225 (7/8)
	CR 30 VBR	CR 30 VB	CR 30 VBUUR	CR 30 VBUU	418	47.625 (1 7/8)	25.400 (1)	19.050 (3/4)	3/4 - 16	22.225 (7/8)
22.225 (7/8)	CR 32 VBR	CR 32 VB	CR 32 VBUUR	CR 32 VBUU	627	50.800 (2)	31.750 (1 1/4)	22.225 (7/8)	7/8 - 14	25.400 (1)
	CR 36 VBR	CR 36 VB	CR 36 VBUUR	CR 36 VBUU	759	57.150 (2 1/4)	31.750 (1 1/4)	22.225 (7/8)	7/8 - 14	25.400 (1)

Remarks1. Models with a stud diameter d₁ of 6.35 mm or less have no oil hole. Other models are provided with one oil hole each on the outside surface and end surface of the stud.
2. Provided with prepacked grease.



CR...VB

CR...VBUUR

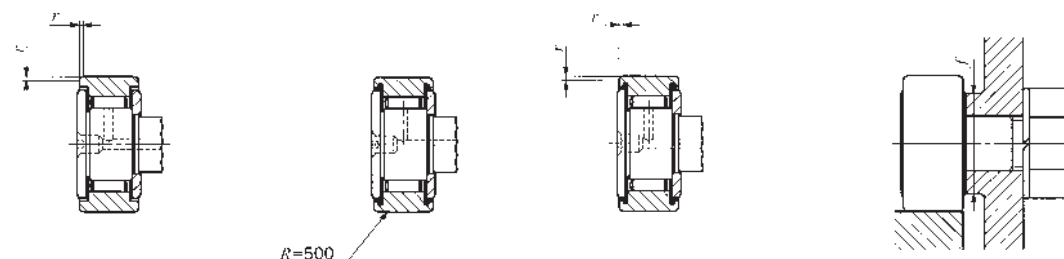
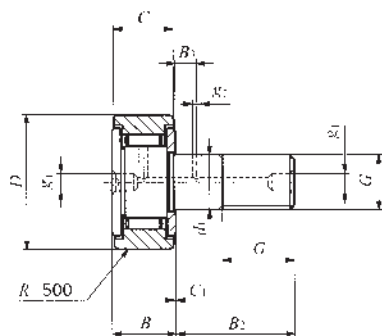
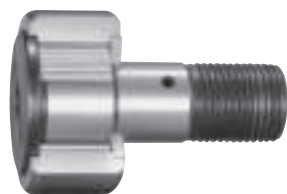
CR...VBUU

Boundary dimensions mm (inch)								Mounting dimension f Min. mm (inch)	Maximum tightening torque N-m	Basic dynamic load rating C N	Basic static load rating C ₀ N
B max	B ₂	B ₃	C ₁	g ₁	g ₂	H	r				
10.2 (0.40)	12.700 (1/2)	— (—)	0.794 (1/32)	— (—)	— (—)	3.175 (1/8)	0.397 (1/64)	8.334 (21/64)	1.4	4 260	4 750
10.9 (0.43)	15.875 (5/8)	— (—)	0.794 (1/32)	— (—)	— (—)	3.175 (1/8)	0.397 (1/64)	8.334 (21/64)	1.4	4 710	5 410
11.8 (0.46)	15.875 (5/8)	— (—)	0.794 (1/32)	— (—)	— (—)	3.175 (1/8)	0.397 (1/64)	11.509 (29/64)	3.4	5 830	7 660
12.5 (0.49)	19.050 (3/4)	— (—)	0.794 (1/32)	— (—)	— (—)	3.175 (1/8)	0.397 (1/64)	11.509 (29/64)	3.4	6 340	8 530
14.2 (0.56)	22.225 (7/8)	6.350 (1/4)	0.794 (1/32)	4.762 (3/16)	2.381 (3/32)	4.762 (3/16)	0.794 (1/32)	13.494 (17/32)	10.8	8 710	12 300
14.2 (0.56)	22.225 (7/8)	6.350 (1/4)	0.794 (1/32)	4.762 (3/16)	2.381 (3/32)	4.762 (3/16)	0.794 (1/32)	15.081 (19/32)	10.8	8 710	12 300
17.3 (0.68)	25.400 (1)	6.350 (1/4)	0.794 (1/32)	4.762 (3/16)	3.175 (1/8)	6.350 (1/4)	1.191 (3/64)	17.859 (45/64)	17.4	13 100	22 700
17.3 (0.68)	25.400 (1)	6.350 (1/4)	0.794 (1/32)	4.762 (3/16)	3.175 (1/8)	6.350 (1/4)	1.588 (1/16)	19.050 (3/4)	17.4	13 100	22 700
20.4 (0.80)	31.750 (1 1/4)	7.938 (5/16)	0.794 (1/32)	4.762 (3/16)	3.175 (1/8)	6.350 (1/4)	1.588 (1/16)	21.828 (55/64)	27.7	23 600	31 700
20.4 (0.80)	31.750 (1 1/4)	7.938 (5/16)	0.794 (1/32)	4.762 (3/16)	3.175 (1/8)	6.350 (1/4)	1.588 (1/16)	21.828 (55/64)	27.7	23 600	31 700
23.6 (0.93)	38.100 (1 1/2)	9.525 (3/8)	0.794 (1/32)	4.762 (3/16)	3.969 (5/32)	7.938 (5/16)	1.588 (1/16)	26.196 (1 3/64)	55.7	28 200	40 100
23.6 (0.93)	38.100 (1 1/2)	9.525 (3/8)	0.794 (1/32)	4.762 (3/16)	3.969 (5/32)	7.938 (5/16)	1.588 (1/16)	26.196 (1 3/64)	55.7	28 200	40 100
26.8 (1.06)	44.450 (1 3/4)	11.112 (7/16)	0.794 (1/32)	4.762 (3/16)	3.969 (5/32)	7.938 (5/16)	1.588 (1/16)	32.543 (1 9/32)	100	35 300	55 600
26.8 (1.06)	44.450 (1 3/4)	11.112 (7/16)	0.794 (1/32)	4.762 (3/16)	3.969 (5/32)	7.938 (5/16)	1.588 (1/16)	32.543 (1 9/32)	100	35 300	55 600
33.5 (1.32)	50.800 (2)	12.700 (1/2)	0.794 (1/32)	4.762 (3/16)	4.762 (3/16)	11.112 (7/16)	1.588 (1/16)	37.306 (1 15/32)	162	45 700	80 600
33.5 (1.32)	50.800 (2)	12.700 (1/2)	0.794 (1/32)	4.762 (3/16)	4.762 (3/16)	11.112 (7/16)	1.588 (1/16)	37.306 (1 15/32)	162	45 700	80 600



CAM FOLLOWERS

Inch Series Cam Followers Full Complement Type/With Screwdriver Slot



Stud dia. 4.826 – 31.750mm

CR...VR

CR...V

CR...VUUR

CR...VUU

Stud dia. mm (inch)	Identification number				Mass (Ref.) g	Boundary dimensions mm (inch)				
	Shield type		Sealed type			D	C	d ₁	G UNF	G ₁
	With crowned outer ring	With cylindrical outer ring	With crowned outer ring	With cylindrical outer ring						
4.826	CR 8 VR	CR 8 V	CR 8 VUUR	CR 8 VUU	9	12.700 (1/2)	8.731 (11/32)	4.826	No.10-32	6.350 (1/4)
	CR 8-1 VR	CR 8-1 V	CR 8-1 VUUR	CR 8-1 VUU	10	12.700 (1/2)	9.525 (3/8)	4.826	No.10-32	6.350 (1/4)
6.350 (1/4)	CR 10 VR	CR 10 V	CR 10 VUUR	CR 10 VUU	19	15.875 (5/8)	10.319 (13/32)	6.350 (1/4)	1/4 - 28	7.938 (5/16)
	CR 10-1 VR	CR 10-1 V	CR 10-1 VUUR	CR 10-1 VUU	21	15.875 (5/8)	11.112 (7/16)	6.350 (1/4)	1/4 - 28	7.938 (5/16)
9.525 (3/8)	CR 12 VR	CR 12 V	CR 12 VUUR	CR 12 VUU	36	19.050 (3/4)	12.700 (1/2)	9.525 (3/8)	3/8 - 24	9.525 (3/8)
	CR 14 VR	CR 14 V	CR 14 VUUR	CR 14 VUU	47	22.225 (7/8)	12.700 (1/2)	9.525 (3/8)	3/8 - 24	9.525 (3/8)
11.112 (7/16)	CR 16 VR	CR 16 V	CR 16 VUUR	CR 16 VUU	74	25.400 (1)	15.875 (5/8)	11.112 (7/16)	7/16 - 20	12.700 (1/2)
	CR 18 VR	CR 18 V	CR 18 VUUR	CR 18 VUU	85	28.575 (1 1/8)	15.875 (5/8)	11.112 (7/16)	7/16 - 20	12.700 (1/2)
12.700 (1/2)	CR 20 VR	CR 20 V	CR 20 VUUR	CR 20 VUU	137	31.750 (1 1/4)	19.050 (3/4)	12.700 (1/2)	1/2 - 20	15.875 (5/8)
	CR 22 VR	CR 22 V	CR 22 VUUR	CR 22 VUU	160	34.925 (1 3/8)	19.050 (3/4)	12.700 (1/2)	1/2 - 20	15.875 (5/8)
15.875 (5/8)	CR 24 VR	CR 24 V	CR 24 VUUR	CR 24 VUU	230	38.100 (1 1/2)	22.225 (7/8)	15.875 (5/8)	5/8 - 18	19.050 (3/4)
	CR 26 VR	CR 26 V	CR 26 VUUR	CR 26 VUU	265	41.275 (1 5/8)	22.225 (7/8)	15.875 (5/8)	5/8 - 18	19.050 (3/4)
19.050 (3/4)	CR 28 VR	CR 28 V	CR 28 VUUR	CR 28 VUU	372	44.450 (1 3/4)	25.400 (1)	19.050 (3/4)	3/4 - 16	22.225 (7/8)
	CR 30 VR	CR 30 V	CR 30 VUUR	CR 30 VUU	418	47.625 (1 7/8)	25.400 (1)	19.050 (3/4)	3/4 - 16	22.225 (7/8)
22.225 (7/8)	CR 32 VR	CR 32 V	CR 32 VUUR	CR 32 VUU	627	50.800 (2)	31.750 (1 1/4)	22.225 (7/8)	7/8 - 14	25.400 (1)
	CR 36 VR	CR 36 V	CR 36 VUUR	CR 36 VUU	759	57.150 (2 1/4)	31.750 (1 1/4)	22.225 (7/8)	7/8 - 14	25.400 (1)
31.750 (1 1/4)	—	—	—	CR 48 VUU	1960	76.200 (3)	44.450 (1 3/4)	31.750 (1 1/4)	1 1/4 - 12	31.750 (1 1/4)

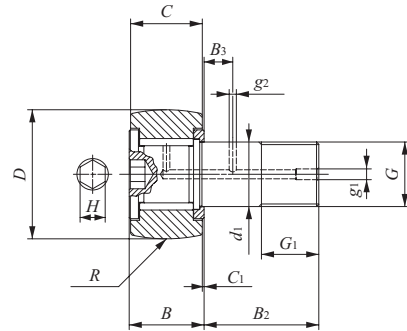
Remarks1. Models with a stud diameter d₁ of 6.35 mm or less (marked *) are provided with an oil hole on the stud head only. Other models are provided with one oil hole each on the head, outside surface and end surface of the stud.
 2. Provided with prepacked grease.

Boundary dimensions mm (inch)							Mounting dimension <i>f</i> Min. mm (inch)	Maximum tightening torque N·m	Basic dynamic load rating <i>C</i> N	Basic static load rating <i>C</i> ₀ N
<i>B</i> <i>B</i> _{max}	<i>B</i> ₂	<i>B</i> ₃	<i>C</i> ₁	<i>g</i> ₁	<i>g</i> ₂	<i>r</i>				
10.2 (0.40)	12.700 (1/2)	— (—)	0.794 (1/32)	*3.175 (1/8)	— (—)	0.397 (1/64)	8.334 (21/64)	1.4	4 260	4 750
10.9 (0.43)	15.875 (5/8)	— (—)	0.794 (1/32)	*3.175 (1/8)	— (—)	0.397 (1/64)	8.334 (21/64)	1.4	4 710	5 410
11.8 (0.46)	15.875 (5/8)	— (—)	0.794 (1/32)	*3.175 (1/8)	— (—)	0.397 (1/64)	11.509 (29/64)	3.4	5 830	7 660
12.5 (0.49)	19.050 (3/4)	— (—)	0.794 (1/32)	*3.175 (1/8)	— (—)	0.397 (1/64)	11.509 (29/64)	3.4	6 340	8 530
14.2 (0.56)	22.225 (7/8)	6.350 (1/4)	0.794 (1/32)	4.762 (3/16)	2.381 (3/32)	0.794 (1/32)	13.494 (17/32)	10.8	8 710	12 300
14.2 (0.56)	22.225 (7/8)	6.350 (1/4)	0.794 (1/32)	4.762 (3/16)	2.381 (3/32)	0.794 (1/32)	15.081 (19/32)	10.8	8 710	12 300
17.3 (0.68)	25.400 (1)	6.350 (1/4)	0.794 (1/32)	4.762 (3/16)	3.175 (1/8)	1.191 (3/64)	17.859 (45/64)	17.4	13 100	22 700
17.3 (0.68)	25.400 (1)	6.350 (1/4)	0.794 (1/32)	4.762 (3/16)	3.175 (1/8)	1.588 (1/16)	19.050 (3/4)	17.4	13 100	22 700
20.4 (0.80)	31.750 (1 1/4)	7.938 (5/16)	0.794 (1/32)	4.762 (3/16)	3.175 (1/8)	1.588 (1/16)	21.828 (55/64)	27.7	23 600	31 700
20.4 (0.80)	31.750 (1 1/4)	7.938 (5/16)	0.794 (1/32)	4.762 (3/16)	3.175 (1/8)	1.588 (1/16)	21.828 (55/64)	27.7	23 600	31 700
23.6 (0.93)	38.100 (1 1/2)	9.525 (3/8)	0.794 (1/32)	4.762 (3/16)	3.969 (5/32)	1.588 (1/16)	26.196 (1 1/16)	55.7	28 200	40 100
23.6 (0.93)	38.100 (1 1/2)	9.525 (3/8)	0.794 (1/32)	4.762 (3/16)	3.969 (5/32)	1.588 (1/16)	26.196 (1 1/16)	55.7	28 200	40 100
26.8 (1.06)	44.450 (1 3/4)	11.112 (7/16)	0.794 (1/32)	4.762 (3/16)	3.969 (5/32)	1.588 (1/16)	32.543 (1 1/2)	100	35 300	55 600
26.8 (1.06)	44.450 (1 3/4)	11.112 (7/16)	0.794 (1/32)	4.762 (3/16)	3.969 (5/32)	1.588 (1/16)	32.543 (1 1/2)	100	35 300	55 600
33.5 (1.32)	50.800 (2)	12.700 (1/2)	0.794 (1/32)	4.762 (3/16)	4.762 (3/16)	1.588 (1/16)	37.306 (1 15/32)	162	45 700	80 600
33.5 (1.32)	50.800 (2)	12.700 (1/2)	0.794 (1/32)	4.762 (3/16)	4.762 (3/16)	1.588 (1/16)	37.306 (1 15/32)	162	45 700	80 600
46.4 (1.83)	63.500 (2 1/2)	15.875 (5/8)	1.588 (1/16)	6.350 (1/4)	4.762 (3/16)	2.381 (3/32)	51.991 (2 3/16)	500	77 600	172 000



CAM FOLLOWERS

Inch Series Heavy Duty Cam Followers Full Complement Type/With Hexagon Hole



CRH...VBR

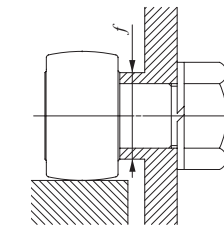
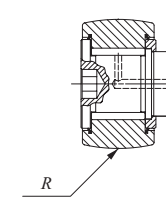
Stud dia. 6.350–50.800mm

Stud dia. mm (inch)	Identification number		Mass (Ref.) g	Boundary dimensions mm (inch)					
	Shield type Crowned outer ring	Sealed type Crowned outer ring		D	C	d ₁	G UNF	G ₁	B max
6.350 (1/4)	CRH 8-1 VBR	CRH 8-1 VBUUR	12	12.700 (1/2)	9.525 (3/8)	6.350 (1/4)	1/4 - 28	6.350 (1/4)	11.1(0.44)
	CRH 9 VBR	CRH 9 VBUUR	15	14.228 (9/16)	9.525 (3/8)	6.350 (1/4)	1/4 - 28	6.350 (1/4)	11.1(0.44)
7.938 (5/16)	CRH 10-1 VBR	CRH 10-1 VBUUR	23	15.875 (5/8)	11.112 (7/16)	7.938 (5/16)	5/16 - 24	7.938 (5/16)	12.8(0.50)
	CRH 11 VBR	CRH 11 VBUUR	27	17.462 (11/16)	11.112 (7/16)	7.938 (5/16)	5/16 - 24	7.938 (5/16)	12.8(0.50)
11.112 (7/16)	CRH 12 VBR	CRH 12 VBUUR	39	19.050 (3/4)	12.700 (1/2)	11.112 (7/16)	7/16 - 20	9.525 (3/8)	14.6(0.57)
	CRH 14 VBR	CRH 14 VBUUR	49	22.225 (7/8)	12.700 (1/2)	11.112 (7/16)	7/16 - 20	9.525 (3/8)	14.6(0.57)
15.875 (5/8)	CRH 16 VBR	CRH 16 VBUUR	93	25.400 (1)	15.875 (5/8)	15.875 (5/8)	5/8 - 18	12.700 (1/2)	17.9(0.70)
	CRH 18 VBR	CRH 18 VBUUR	109	28.575 (1 1/8)	15.875 (5/8)	15.875 (5/8)	5/8 - 18	12.700 (1/2)	17.9(0.70)
19.050 (3/4)	CRH 20 VBR	CRH 20 VBUUR	176	31.750 (1 1/4)	19.050 (3/4)	19.050 (3/4)	3/4 - 16	15.875 (5/8)	21.0(0.83)
	CRH 22 VBR	CRH 22 VBUUR	200	34.925 (1 3/8)	19.050 (3/4)	19.050 (3/4)	3/4 - 16	15.875 (5/8)	21.0(0.83)
22.225 (7/8)	CRH 24 VBR	CRH 24 VBUUR	296	38.100 (1 1/2)	22.225 (7/8)	22.225 (7/8)	7/8 - 14	19.050 (3/4)	24.3(0.96)
	CRH 26 VBR	CRH 26 VBUUR	329	41.275 (1 5/8)	22.225 (7/8)	22.225 (7/8)	7/8 - 14	19.050 (3/4)	24.3(0.96)
25.400 (1)	CRH 28 VBR	CRH 28 VBUUR	463	44.450 (1 3/4)	25.400 (1)	25.400 (1)	1 - 14 UNS	22.225 (7/8)	27.4(1.08)
	CRH 30 VBR	CRH 30 VBUUR	508	47.625 (1 7/8)	25.400 (1)	25.400 (1)	1 - 14 UNS	22.225 (7/8)	27.4(1.08)
28.575 (1 1/8)	CRH 32 VBR	CRH 32 VBUUR	722	50.800 (2)	31.750 (1 1/4)	28.575 (1 1/8)	1 1/8 - 12	25.400 (1)	34.2(1.35)
	CRH 36 VBR	CRH 36 VBUUR	858	57.150 (2 1/4)	31.750 (1 1/4)	28.575 (1 1/8)	1 1/8 - 12	25.400 (1)	34.2(1.35)
31.750 (1 1/4)	CRH 40 VBR	CRH 40 VBUUR	1 260	63.500 (2 1/2)	38.100 (1 1/2)	31.750 (1 1/4)	1 1/4 - 12	28.575 (1 1/8)	40.0(1.57)
	CRH 44 VBR	CRH 44 VBUUR	1 460	69.850 (2 3/4)	38.100 (1 1/2)	31.750 (1 1/4)	1 1/4 - 12	28.575 (1 1/8)	40.0(1.57)
38.100 (1 1/2)	CRH 48 VBR	CRH 48 VBUUR	2 100	76.200 (3)	44.450 (1 3/4)	38.100 (1 1/2)	1 1/2 - 12	31.750 (1 1/4)	46.4(1.83)
	CRH 52 VBR	CRH 52 VBUUR	2 380	82.550 (3 1/4)	44.450 (1 3/4)	38.100 (1 1/2)	1 1/2 - 12	31.750 (1 1/4)	46.4(1.83)
44.450 (1 3/4)	CRH 56 VBR	CRH 56 VBUUR	3 240	88.900 (3 1/2)	50.800 (2)	44.450 (1 3/4)	1 3/4 - 12UN	34.925 (1 3/8)	52.8(2.08)
50.800 (2)	CRH 64 VBR	CRH 64 VBUUR	4 960	101.600 (4)	57.150 (2 1/4)	50.800 (2)	2 - 12 UN	38.100 (1 1/2)	59.4(2.34)

Remarks1. Models with a stud diameter d₁ of 7.938 mm or less have no oil hole. Other models are provided with one oil hole each on the outside surface and end surface of the stud.
 2. Provided with prepacked grease.



CAM FOLLOWERS

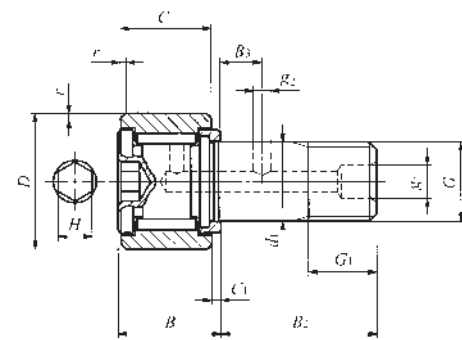


CRH...VBUUR

Boundary dimensions mm (inch)							Mounting dimension f Min. mm (inch)	Maximum tightening torque N-m	Basic dynamic load rating C N	Basic static load rating C ₀ N
B ₂	B ₃	C ₁	g ₁	g ₂	H	R				
15.875 (5/8)	- (-)	0.794 (1/2)	- (-)	- (-)	3.175 (1/8)	180 (7)	8.334 (2/4)	3.4	4 710	5 410
15.875 (5/8)	- (-)	0.794 (1/2)	- (-)	- (-)	3.175 (1/8)	180 (7)				
19.050 (3/4)	- (-)	0.794 (1/2)	- (-)	- (-)	3.175 (1/8)	200 (8)	11.112 (7/16)	6.8	6 340	8 530
19.050 (3/4)	- (-)	0.794 (1/2)	- (-)	- (-)	3.175 (1/8)	200 (8)				
22.225 (7/8)	6.350 (1/4)	0.794 (1/2)	4.762 (3/16)	2.381 (3/32)	4.762 (3/16)	250 (10)	13.494 (1/2)	17.6	8 710	12 300
22.225 (7/8)	6.350 (1/4)	0.794 (1/2)	4.762 (3/16)	2.381 (3/32)	4.762 (3/16)	250 (10)				
25.400 (1)	6.350 (1/4)	1.588 (1/16)	4.762 (3/16)	2.381 (3/32)	6.350 (1/4)	300 (12)	18.256 (3/2)	57.8	13 100	22 700
25.400 (1)	6.350 (1/4)	1.588 (1/16)	4.762 (3/16)	2.381 (3/32)	6.350 (1/4)	300 (12)				
31.750 (1 1/4)	7.938 (5/16)	1.588 (1/16)	4.762 (3/16)	2.381 (3/32)	6.350 (1/4)	360 (14)	24.209 (6/4)	103	23 600	31 700
31.750 (1 1/4)	7.938 (5/16)	1.588 (1/16)	4.762 (3/16)	2.381 (3/32)	6.350 (1/4)	360 (14)				
38.100 (1 1/2)	9.525 (3/8)	1.588 (1/16)	4.762 (3/16)	2.381 (3/32)	7.938 (5/16)	500 (20)	26.988 (1 1/16)	162	28 200	40 100
38.100 (1 1/2)	9.525 (3/8)	1.588 (1/16)	4.762 (3/16)	2.381 (3/32)	7.938 (5/16)	500 (20)				
44.450 (1 3/4)	11.112 (7/16)	1.588 (1/16)	4.762 (3/16)	2.381 (3/32)	7.938 (5/16)	500 (20)	32.941 (1 1/4)	258	35 300	55 600
44.450 (1 3/4)	11.112 (7/16)	1.588 (1/16)	4.762 (3/16)	2.381 (3/32)	7.938 (5/16)	500 (20)				
50.800 (2)	12.700 (1/2)	1.588 (1/16)	4.762 (3/16)	3.175 (1/8)	11.112 (7/16)	600 (24)	37.306 (1 1/2)	356	45 700	80 600
50.800 (2)	12.700 (1/2)	1.588 (1/16)	4.762 (3/16)	3.175 (1/8)	11.112 (7/16)	600 (24)				
57.150 (2 1/4)	14.288 (9/16)	1.588 (1/16)	4.762 (3/16)	3.175 (1/8)	12.700 (1/2)	760 (30)	40.878 (1 3/4)	500	61 400	116 000
57.150 (2 1/4)	14.288 (9/16)	1.588 (1/16)	4.762 (3/16)	3.175 (1/8)	12.700 (1/2)	760 (30)				
63.500 (2 1/2)	15.875 (5/8)	1.588 (1/16)	6.350 (1/4)	3.175 (1/8)	19.050 (3/4)	760 (30)	51.991 (2 3/4)	892	77 600	172 000
63.500 (2 1/2)	15.875 (5/8)	1.588 (1/16)	6.350 (1/4)	3.175 (1/8)	19.050 (3/4)	760 (30)				
69.850 (2 3/4)	17.462 (11/16)	1.588 (1/16)	6.350 (1/4)	3.175 (1/8)	19.050 (3/4)	760 (30)	59.928 (2 3/8)	1 450	111 000	239 000
69.850 (2 3/4)	17.462 (11/16)	1.588 (1/16)	6.350 (1/4)	3.175 (1/8)	19.050 (3/4)	760 (30)				
88.900 (3 1/2)	19.050 (3/4)	1.588 (1/16)	6.350 (1/4)	3.175 (1/8)	19.050 (3/4)	760 (30)	64.691 (2 5/16)	2 190	142 000	317 000

1N ≡ 0.102kgf

CAM FOLLOWERS

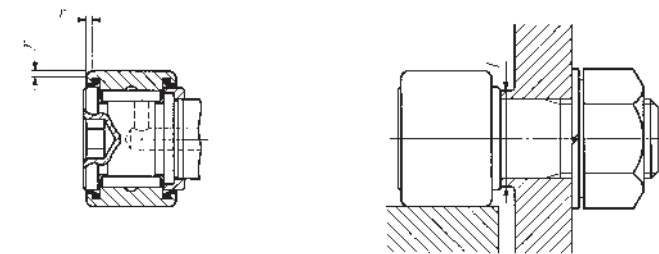
Inch Series Heavy Duty Cam Followers **Full Complement Type/With Hexagon Hole**

Stud dia. 6.350—50.800mm

CRH...VB

Stud dia. mm (inch)	Identification number		Mass (Ref.) g	Boundary dimensions mm(inch)					
	Shield type	Sealed type		D	C	d ₁	G UNF	G ₁	B max
6.350 (1/4)	CRH 8-1 VB	CRH 8-1 VBUU	12	12.700 (1/2)	9.525 (3/8)	6.350 (1/4)	1/4-28	6.350 (1/4)	11.1(0.44)
	CRH 9 VB	CRH 9 VBUU	15	14.288 (9/16)	9.525 (3/8)	6.350 (1/4)	1/4-28	6.350 (1/4)	11.1(0.44)
7.938 (5/16)	CRH 10-1 VB	CRH 10-1 VBUU	23	15.875 (5/8)	11.112 (7/16)	7.938 (5/16)	5/16-24	7.938 (5/16)	12.8(0.50)
	CRH 11 VB	CRH 11 VBUU	27	17.462 (11/16)	11.112 (7/16)	7.938 (5/16)	5/16-24	7.938 (5/16)	12.8(0.50)
11.112 (7/16)	CRH 12 VB	CRH 12 VBUU	39	19.050 (3/4)	12.700 (1/2)	11.112 (7/16)	3/8-20	9.525 (3/8)	14.6(0.57)
	CRH 14 VB	CRH 14 VBUU	49	22.225 (7/8)	12.700 (1/2)	11.112 (7/16)	3/8-20	9.525 (3/8)	14.6(0.57)
15.875 (5/8)	CRH 16 VB	CRH 16 VBUU	93	25.400 (1)	15.875 (5/8)	15.875 (5/8)	5/8-18	12.700 (1/2)	17.9(0.70)
	CRH 18 VB	CRH 18 VBUU	109	28.575 (1 1/8)	15.875 (5/8)	15.875 (5/8)	5/8-18	12.700 (1/2)	17.9(0.70)
19.050 (3/4)	CRH 20 VB	CRH 20 VBUU	176	31.750 (1 1/4)	19.050 (3/4)	19.050 (3/4)	3/4-16	15.875 (5/8)	21.0(0.83)
	CRH 22 VB	CRH 22 VBUU	200	34.925 (1 3/8)	19.050 (3/4)	19.050 (3/4)	3/4-16	15.875 (5/8)	21.0(0.83)
22.225 (7/8)	CRH 24 VB	CRH 24 VBUU	296	38.100 (1 1/2)	22.225 (7/8)	22.225 (7/8)	7/8-14	19.050 (3/4)	24.3(0.96)
	CRH 26 VB	CRH 26 VBUU	329	41.275 (1 5/8)	22.225 (7/8)	22.225 (7/8)	7/8-14	19.050 (3/4)	24.3(0.96)
25.400 (1)	CRH 28 VB	CRH 28 VBUU	463	44.450 (1 3/4)	25.400 (1)	25.400 (1)	1-14 UNS	22.225 (7/8)	27.4(1.08)
	CRH 30 VB	CRH 30 VBUU	508	47.625 (1 7/8)	25.400 (1)	25.400 (1)	1-14 UNS	22.225 (7/8)	27.4(1.08)
28.575 (1 1/8)	CRH 32 VB	CRH 32 VBUU	722	50.800 (2)	31.750 (1 1/4)	28.575 (1 1/8)	1 1/8-12	25.400 (1)	34.2(1.35)
	CRH 36 VB	CRH 36 VBUU	858	57.150 (2 1/4)	31.750 (1 1/4)	28.575 (1 1/8)	1 1/8-12	25.400 (1)	34.2(1.35)
31.750 (1 1/4)	CRH 40 VB	CRH 40 VBUU	1 260	63.500 (2 1/2)	38.100 (1 1/2)	31.750 (1 1/4)	1 1/4-12	28.575 (1 1/8)	40.0(1.57)
	CRH 44 VB	CRH 44 VBUU	1 460	69.850 (2 3/4)	38.100 (1 1/2)	31.750 (1 1/4)	1 1/4-12	28.575 (1 1/8)	40.0(1.57)
38.100 (1 1/2)	CRH 48 VB	CRH 48 VBUU	2 100	76.200 (3)	44.450 (1 3/4)	38.100 (1 1/2)	1 1/2-12	31.750 (1 1/4)	46.4(1.83)
	CRH 52 VB	CRH 52 VBUU	2 380	82.550 (3 1/4)	44.450 (1 3/4)	38.100 (1 1/2)	1 1/2-12	31.750 (1 1/4)	46.4(1.83)
44.450 (1 3/4)	CRH 56 VB	CRH 56 VBUU	3 240	88.900 (3 1/2)	50.800 (2)	44.450 (1 3/4)	1 3/4-12 UN	34.925 (1 3/8)	52.8(2.08)
50.800 (2)	CRH 64 VB	CRH 64 VBUU	4 960	101.600 (4)	57.150 (2 1/4)	50.800 (2)	2-12 UN	38.100 (1 1/2)	59.4(2.34)

Remarks 1. Models with a stud diameter d_1 of 7.938 mm or less have no oil hole. Other models are provided with one oil hole each on the outside surface and end surface of the stud.
2. Provided with prepacked grease.



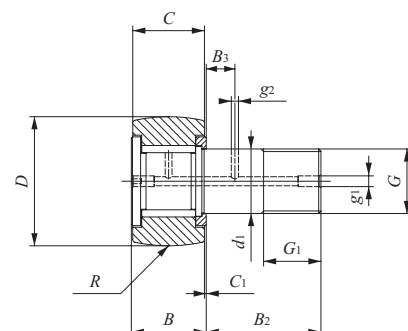
CRH...VBUU

Boundary dimensions mm(inch)							Mounting dimension f Min. mm(inch)	Maximum tightening torque N-m	Basic dynamic load rating C N	Basic static load rating C ₀ N
B ₂	B ₃	C ₁	g ₁	g ₂	H	r				
15.875 (5/8)	— (—)	0.794 (1/2)	— (—)	— (—)	3.175 (1/8)	0.397 (1/4)	8.334 (3/4)	3.4	4 710	5 410
15.875 (5/8)	— (—)	0.794 (1/2)	— (—)	— (—)	3.175 (1/8)	0.397 (1/4)	8.334 (3/4)	3.4	4 710	5 410
19.050 (3/4)	— (—)	0.794 (1/2)	— (—)	— (—)	3.175 (1/8)	0.397 (1/4)	11.112 (7/16)	6.8	6 340	8 530
19.050 (3/4)	— (—)	0.794 (1/2)	— (—)	— (—)	3.175 (1/8)	0.397 (1/4)	11.112 (7/16)	6.8	6 340	8 530
22.225 (7/8)	6.350 (1/4)	0.794 (1/2)	4.762 (3/16)	2.381 (3/32)	4.762 (3/16)	0.794 (1/2)	13.494 (1/2)	17.6	8 710	12 300
22.225 (7/8)	6.350 (1/4)	0.794 (1/2)	4.762 (3/16)	2.381 (3/32)	4.762 (3/16)	0.794 (1/2)	13.494 (1/2)	17.6	8 710	12 300
25.400 (1)	6.350 (1/4)	1.588 (1/16)	4.762 (3/16)	2.381 (3/32)	6.350 (1/4)	1.191 (3/64)	18.256 (3/2)	57.8	13 100	22 700
25.400 (1)	6.350 (1/4)	1.588 (1/16)	4.762 (3/16)	2.381 (3/32)	6.350 (1/4)	1.588 (1/16)	18.256 (3/2)	57.8	13 100	22 700
31.750 (1 1/4)	7.938 (5/16)	1.588 (1/16)	4.762 (3/16)	2.381 (3/32)	6.350 (1/4)	1.588 (1/16)	24.209 (6/16)	103	23 600	31 700
31.750 (1 1/4)	7.938 (5/16)	1.588 (1/16)	4.762 (3/16)	2.381 (3/32)	6.350 (1/4)	1.588 (1/16)	24.209 (6/16)	103	23 600	31 700
38.100 (1 1/2)	9.525 (3/8)	1.588 (1/16)	4.762 (3/16)	2.381 (3/32)	7.938 (5/16)	1.588 (1/16)	26.988 (1 1/16)	162	28 200	40 100
38.100 (1 1/2)	9.525 (3/8)	1.588 (1/16)	4.762 (3/16)	2.381 (3/32)	7.938 (5/16)	1.588 (1/16)	26.988 (1 1/16)	162	28 200	40 100
44.450 (1 3/4)	11.112 (7/16)	1.588 (1/16)	4.762 (3/16)	2.381 (3/32)	7.938 (5/16)	1.588 (1/16)	32.941 (1 1/16)	258	35 300	55 600
44.450 (1 3/4)	11.112 (7/16)	1.588 (1/16)	4.762 (3/16)	2.381 (3/32)	7.938 (5/16)	1.588 (1/16)	32.941 (1 1/16)	258	35 300	55 600
50.800 (2)	12.700 (1/2)	1.588 (1/16)	4.762 (3/16)	3.175 (1/8)	11.112 (7/16)	1.588 (1/16)	37.306 (1 15/16)	356	45 700	80 600
50.800 (2)	12.700 (1/2)	1.588 (1/16)	4.762 (3/16)	3.175 (1/8)	11.112 (7/16)	1.588 (1/16)	37.306 (1 15/16)	356	45 700	80 600
57.150 (2 1/4)	14.288 (9/16)	1.588 (1/16)	4.762 (3/16)	3.175 (1/8)	12.700 (1/2)	2.381 (3/32)	40.878 (1 33/64)	500	61 400	116 000
57.150 (2 1/4)	14.288 (9/16)	1.588 (1/16)	4.762 (3/16)	3.175 (1/8)	12.700 (1/2)	2.381 (3/32)	40.878 (1 33/64)	500	61 400	116 000
63.500 (2 1/2)	15.875 (5/8)	1.588 (1/16)	6.350 (1/4)	3.175 (1/8)	19.050 (3/4)	2.381 (3/32)	51.991 (2 3/16)	892	77 600	172 000
63.500 (2 1/2)	15.875 (5/8)	1.588 (1/16)	6.350 (1/4)	3.175 (1/8)	19.050 (3/4)	2.381 (3/32)	51.991 (2 3/16)	892	77 600	172 000
69.850 (2 3/4)	17.462 (11/16)	1.588 (1/16)	6.350 (1/4)	3.175 (1/8)	19.050 (3/4)	2.381 (3/32)	59.928 (2 35/64)	1 450	111 000	239 000
88.900 (3 1/2)	19.050 (3/4)	1.588 (1/16)	6.350 (1/4)	3.175 (1/8)	19.050 (3/4)	2.381 (3/32)	64.691 (2 55/64)	2 190	142 000	317 000



CAM FOLLOWERS

Inch Series Heavy Duty Cam Followers Full Complement Type/With Screwdriver Slot



CRH...VR

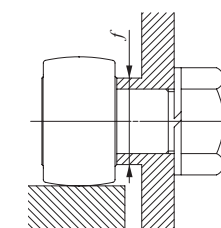
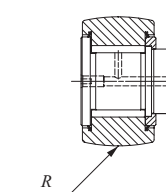
Stud dia. 6.350–50.800mm

Stud dia. mm (inch)	Identification number		Mass (Ref.) g	Boundary dimensions mm (inch)					
	Shield type Crowned outer ring	Sealed type Crowned outer ring		D	C	d ₁	G UNF	G ₁	B max
6.350 (1/4)	CRH 8-1 VR	CRH 8-1 VUUR	12	12.700 (1/2)	9.525 (3/8)	6.350 (1/4)	1/4-28	6.350 (1/4)	11.1(0.44)
	CRH 9 VR	CRH 9 VUUR	15	14.228 (9/16)	9.525 (3/8)	6.350 (1/4)	1/4-28	6.350 (1/4)	11.1(0.44)
7.938 (5/16)	CRH 10-1 VR	CRH 10-1 VUUR	23	15.875 (5/8)	11.112 (7/16)	7.938 (5/16)	5/16-24	7.938 (5/16)	12.8(0.50)
	CRH 11 VR	CRH 11 VUUR	27	17.462 (11/16)	11.112 (7/16)	7.938 (5/16)	5/16-24	7.938 (5/16)	12.8(0.50)
11.112 (7/16)	CRH 12 VR	CRH 12 VUUR	39	19.050 (3/4)	12.700 (1/2)	11.112 (7/16)	3/8-20	9.525 (3/8)	14.6(0.57)
	CRH 14 VR	CRH 14 VUUR	49	22.225 (7/8)	12.700 (1/2)	11.112 (7/16)	3/8-20	9.525 (3/8)	14.6(0.57)
15.875 (5/8)	CRH 16 VR	CRH 16 VUUR	93	25.400 (1)	15.875 (5/8)	15.875 (5/8)	5/8-18	12.700 (1/2)	17.9(0.70)
	CRH 18 VR	CRH 18 VUUR	109	28.575 (1 1/8)	15.875 (5/8)	15.875 (5/8)	5/8-18	12.700 (1/2)	17.9(0.70)
19.050 (3/4)	CRH 20 VR	CRH 20 VUUR	176	31.750 (1 1/4)	19.050 (3/4)	19.050 (3/4)	3/4-16	15.875 (5/8)	21.0(0.83)
	CRH 22 VR	CRH 22 VUUR	200	34.925 (1 3/8)	19.050 (3/4)	19.050 (3/4)	3/4-16	15.875 (5/8)	21.0(0.83)
22.225 (7/8)	CRH 24 VR	CRH 24 VUUR	296	38.100 (1 1/2)	22.225 (7/8)	22.225 (7/8)	7/8-14	19.050 (3/4)	24.3(0.96)
	CRH 26 VR	CRH 26 VUUR	329	41.275 (1 5/8)	22.225 (7/8)	22.225 (7/8)	7/8-14	19.050 (3/4)	24.3(0.96)
25.400 (1)	CRH 28 VR	CRH 28 VUUR	463	44.450 (1 3/4)	25.400 (1)	25.400 (1)	1-14 UNS	22.225 (7/8)	27.4(1.08)
	CRH 30 VR	CRH 30 VUUR	508	47.625 (1 7/8)	25.400 (1)	25.400 (1)	1-14 UNS	22.225 (7/8)	27.4(1.08)
28.575 (1 1/8)	CRH 32 VR	CRH 32 VUUR	722	50.800 (2)	31.750 (1 1/4)	28.575 (1 1/8)	1 1/8-12	25.400 (1)	34.2(1.35)
	CRH 36 VR	CRH 36 VUUR	858	57.150 (2 1/4)	31.750 (1 1/4)	28.575 (1 1/8)	1 1/8-12	25.400 (1)	34.2(1.35)
31.750 (1 1/4)	CRH 40 VR	CRH 40 VUUR	1 260	63.500 (2 1/2)	38.100 (1 1/2)	31.750 (1 1/4)	1 1/4-12	28.575 (1 1/8)	40.0(1.57)
	CRH 44 VR	CRH 44 VUUR	1 460	69.850 (2 3/4)	38.100 (1 1/2)	31.750 (1 1/4)	1 1/4-12	28.575 (1 1/8)	40.0(1.57)
38.100 (1 1/2)	CRH 48 VR	CRH 48 VUUR	2 100	76.200 (3)	44.450 (1 3/4)	38.100 (1 1/2)	1 1/2-12	31.750 (1 1/4)	46.4(1.83)
	CRH 52 VR	CRH 52 VUUR	2 380	82.550 (3 1/4)	44.450 (1 3/4)	38.100 (1 1/2)	1 1/2-12	31.750 (1 1/4)	46.4(1.83)
44.450 (1 3/4)	CRH 56 VR	CRH 56 VUUR	3 240	88.900 (3 1/2)	50.800 (2)	44.450 (1 3/4)	1 3/4-12 UN	34.925 (1 3/8)	52.8(2.08)
50.800 (2)	CRH 64 VR	CRH 64 VUUR	4 960	101.600 (4)	57.150 (2 1/4)	50.800 (2)	2-12 UN	38.100 (1 1/2)	59.4(2.34)

Remarks1. Models with a stud diameter d_1 of 7.938 mm or less (marked *) are provided with an oil hole on the stud head only. Other models are provided with one oil hole each on the head, outside surface and end surface of the stud.
2. Provided with prepacked grease.



CAM FOLLOWERS



CRH...VUUR

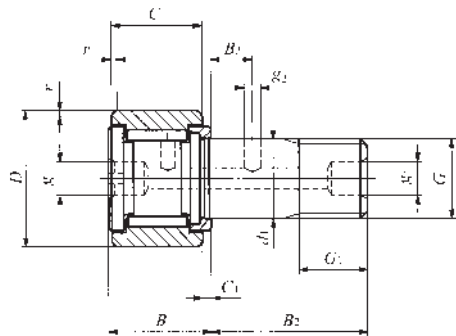
Boundary dimensions mm (inch)						Mounting dimension f Min. mm (inch)	Maximum tightening torque N-m	Basic dynamic load rating C N	Basic static load rating C ₀ N
B ₂	B ₃	C ₁	g ₁	g ₂	R				
15.875 (5/8)	— (-)	0.794 (1/2)	*3.175 (1/8)	— (-)	180 (7)	8.334 (21/64)	3.4	4 710	5 410
15.875 (5/8)	— (-)	0.794 (1/2)	*3.175 (1/8)	— (-)	180 (7)	8.334 (21/64)	3.4	4 710	5 410
19.050 (3/4)	— (-)	0.794 (1/2)	*3.175 (1/8)	— (-)	200 (8)	11.112 (7/16)	6.8	6 340	8 530
19.050 (3/4)	— (-)	0.794 (1/2)	*3.175 (1/8)	— (-)	200 (8)	11.112 (7/16)	6.8	6 340	8 530
22.225 (7/8)	6.350 (1/4)	0.794 (1/2)	4.762 (3/16)	2.381 (3/32)	250 (10)	13.494 (17/32)	17.6	8 710	12 300
22.225 (7/8)	6.350 (1/4)	0.794 (1/2)	4.762 (3/16)	2.381 (3/32)	250 (10)	13.494 (17/32)	17.6	8 710	12 300
25.400 (1)	6.350 (1/4)	1.588 (1/16)	4.762 (3/16)	2.381 (3/32)	300 (12)	18.256 (23/32)	57.8	13 100	22 700
25.400 (1)	6.350 (1/4)	1.588 (1/16)	4.762 (3/16)	2.381 (3/32)	300 (12)	18.256 (23/32)	57.8	13 100	22 700
31.750 (1 1/4)	7.938 (5/16)	1.588 (1/16)	4.762 (3/16)	2.381 (3/32)	360 (14)	24.209 (61/64)	103	23 600	31 700
31.750 (1 1/4)	7.938 (5/16)	1.588 (1/16)	4.762 (3/16)	2.381 (3/32)	360 (14)	24.209 (61/64)	103	23 600	31 700
38.100 (1 1/2)	9.525 (3/8)	1.588 (1/16)	4.762 (3/16)	2.381 (3/32)	500 (20)	26.988 (1 1/16)	162	28 200	40 100
38.100 (1 1/2)	9.525 (3/8)	1.588 (1/16)	4.762 (3/16)	2.381 (3/32)	500 (20)	26.988 (1 1/16)	162	28 200	40 100
44.450 (1 3/4)	11.112 (7/16)	1.588 (1/16)	4.762 (3/16)	2.381 (3/32)	500 (20)	32.941 (1 19/64)	258	35 300	55 600
44.450 (1 3/4)	11.112 (7/16)	1.588 (1/16)	4.762 (3/16)	2.381 (3/32)	500 (20)	32.941 (1 19/64)	258	35 300	55 600
50.800 (2)	12.700 (1/2)	1.588 (1/16)	4.762 (3/16)	3.175 (1/8)	600 (24)	37.306 (1 15/32)	356	45 700	80 600
50.800 (2)	12.700 (1/2)	1.588 (1/16)	4.762 (3/16)	3.175 (1/8)	600 (24)	37.306 (1 15/32)	356	45 700	80 600
57.150 (2 1/4)	14.288 (9/16)	1.588 (1/16)	4.762 (3/16)	3.175 (1/8)	760 (30)	40.878 (1 39/64)	500	61 400	116 000
57.150 (2 1/4)	14.288 (9/16)	1.588 (1/16)	4.762 (3/16)	3.175 (1/8)	760 (30)	40.878 (1 39/64)	500	61 400	116 000
63.500 (2 1/2)	15.875 (5/8)	1.588 (1/16)	6.350 (1/4)	3.175 (1/8)	760 (30)	51.991 (2 3/64)	892	77 600	172 000
63.500 (2 1/2)	15.875 (5/8)	1.588 (1/16)	6.350 (1/4)	3.175 (1/8)	760 (30)	51.991 (2 3/64)	892	77 600	172 000
69.850 (2 3/4)	17.462 (11/16)	1.588 (1/16)	6.350 (1/4)	3.175 (1/8)	760 (30)	59.928 (2 23/64)	1 450	111 000	239 000
88.900 (3 1/2)	19.050 (3/4)	1.588 (1/16)	6.350 (1/4)	3.175 (1/8)	760 (30)	64.691 (2 35/64)	2 190	142 000	317 000

1N ≙ 0.102kgf



CAM FOLLOWERS

Inch Series Heavy Duty Cam Followers **Full Complement Type/With Screwdriver Slot**

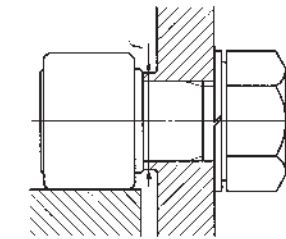
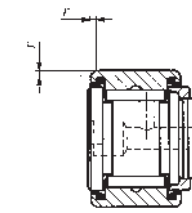


CRH...V

Stud dia. 6.350–50.800mm

Stud dia. mm (inch)	Identification number		Mass (Ref.) g	Boundary dimensions mm(inch)					
	Shield type	Sealed type		D	C	d ₁	G UNF	G ₁	B max
6.350 (¹ / ₄)	CRH 8-1 V	CRH 8-1 VUU	12	12.700 (¹ / ₂)	9.525 (³ / ₈)	6.350 (¹ / ₄)	¹ / ₄ -28	6.350 (¹ / ₄)	11.1(0.44)
	CRH 9 V	CRH 9 VUU	15	14.288 (⁹ / ₁₆)	9.525 (³ / ₈)	6.350 (¹ / ₄)	¹ / ₄ -28	6.350 (¹ / ₄)	11.1(0.44)
7.938 (⁵ / ₁₆)	CRH 10-1 V	CRH 10-1 VUU	23	15.875 (⁵ / ₈)	11.112 (⁷ / ₁₆)	7.938 (⁵ / ₁₆)	⁵ / ₁₆ -24	7.938 (⁵ / ₁₆)	12.8(0.50)
	CRH 11 V	CRH 11 VUU	27	17.462 (¹¹ / ₁₆)	11.112 (⁷ / ₁₆)	7.938 (⁵ / ₁₆)	⁵ / ₁₆ -24	7.938 (⁵ / ₁₆)	12.8(0.50)
11.112 (⁷ / ₁₆)	CRH 12 V	CRH 12 VUU	39	19.050 (³ / ₄)	12.700 (¹ / ₂)	11.112 (⁷ / ₁₆)	⁷ / ₁₆ -20	9.525 (³ / ₈)	14.6(0.57)
	CRH 14 V	CRH 14 VUU	49	22.225 (⁷ / ₈)	12.700 (¹ / ₂)	11.112 (⁷ / ₁₆)	⁷ / ₁₆ -20	9.525 (³ / ₈)	14.6(0.57)
15.875 (⁵ / ₈)	CRH 16 V	CRH 16 VUU	93	25.400 (1)	15.875 (⁵ / ₈)	15.875 (⁵ / ₈)	⁵ / ₈ -18	12.700 (¹ / ₂)	17.9(0.70)
	CRH 18 V	CRH 18 VUU	109	28.575 (1 ¹ / ₈)	15.875 (⁵ / ₈)	15.875 (⁵ / ₈)	⁵ / ₈ -18	12.700 (¹ / ₂)	17.9(0.70)
19.050 (³ / ₄)	CRH 20 V	CRH 20 VUU	176	31.750 (1 ¹ / ₄)	19.050 (³ / ₄)	19.050 (³ / ₄)	³ / ₄ -16	15.875 (⁵ / ₈)	21.0(0.83)
	CRH 22 V	CRH 22 VUU	200	34.925 (1 ³ / ₈)	19.050 (³ / ₄)	19.050 (³ / ₄)	³ / ₄ -16	15.875 (⁵ / ₈)	21.0(0.83)
22.225 (⁷ / ₈)	CRH 24 V	CRH 24 VUU	296	38.100 (1 ¹ / ₂)	22.225 (⁷ / ₈)	22.225 (⁷ / ₈)	⁷ / ₈ -14	19.050 (³ / ₄)	24.3(0.96)
	CRH 26 V	CRH 26 VUU	329	41.275 (1 ⁵ / ₈)	22.225 (⁷ / ₈)	22.225 (⁷ / ₈)	⁷ / ₈ -14	19.050 (³ / ₄)	24.3(0.96)
25.400 (1)	CRH 28 V	CRH 28 VUU	463	44.450 (1 ³ / ₄)	25.400 (1)	25.400 (1)	1-14 UNS	22.225 (⁷ / ₈)	27.4(1.08)
	CRH 30 V	CRH 30 VUU	508	47.625 (1 ⁷ / ₈)	25.400 (1)	25.400 (1)	1-14 UNS	22.225 (⁷ / ₈)	27.4(1.08)
28.575 (1 ¹ / ₈)	CRH 32 V	CRH 32 VUU	722	50.800 (2)	31.750 (1 ¹ / ₄)	28.575 (1 ⁵ / ₈)	1 ¹ / ₈ -12	25.400 (1)	34.2(1.35)
	CRH 36 V	CRH 36 VUU	858	57.150 (2 ¹ / ₄)	31.750 (1 ¹ / ₄)	28.575 (1 ⁵ / ₈)	1 ¹ / ₈ -12	25.400 (1)	34.2(1.35)
31.750 (1 ¹ / ₄)	CRH 40 V	CRH 40 VUU	1 260	63.500 (2 ¹ / ₂)	38.100 (1 ¹ / ₂)	31.750 (1 ¹ / ₄)	1 ¹ / ₄ -12	28.575 (1 ⁵ / ₈)	40.0(1.57)
	CRH 44 V	CRH 44 VUU	1 460	69.850 (2 ³ / ₄)	38.100 (1 ¹ / ₂)	31.750 (1 ¹ / ₄)	1 ¹ / ₄ -12	28.575 (1 ⁵ / ₈)	40.0(1.57)
38.100 (1 ¹ / ₂)	CRH 48 V	CRH 48 VUU	2 100	76.200 (3)	44.450 (1 ³ / ₄)	38.100 (1 ¹ / ₂)	1 ¹ / ₂ -12	31.750 (1 ¹ / ₄)	46.4(1.83)
	CRH 52 V	CRH 52 VUU	2 380	82.550 (3 ¹ / ₄)	44.450 (1 ³ / ₄)	38.100 (1 ¹ / ₂)	1 ¹ / ₂ -12	31.750 (1 ¹ / ₄)	46.4(1.83)
44.450 (1 ³ / ₄)	CRH 56 V	CRH 56 VUU	3 240	88.900 (3 ¹ / ₂)	50.800 (2)	44.450 (1 ³ / ₄)	1 ³ / ₄ -12 UN	34.925 (1 ³ / ₈)	52.8(2.08)
50.800 (2)	CRH 64 V	CRH 64 VUU	4 960	101.600 (4)	57.150 (2 ¹ / ₄)	50.800 (2)	2-12 UN	38.100 (1 ¹ / ₂)	59.4(2.34)

Remarks1. Models with a stud diameter d₁ of 7.938 mm or less (marked *) are provided with an oil hole on the stud head only. Other models are provided with one oil hole each on the head, outside surface and end surface of the stud.
2. Provided with prepacked grease.



CRH...VUU

Boundary dimensions mm(inch)						Mounting dimension f Min. mm(inch)	Maximum tightening torque N-m	Basic dynamic load rating C N	Basic static load rating C ₀ N
B ₂	B ₃	C ₁	g ₁	g ₂	r				
15.875 (⁵ / ₈)	— (—)	0.794 (¹ / ₂)	*3.175 (¹ / ₈)	— (—)	0.397 (¹ / ₁₆)	8.334 (² / ₁₆)	3.4	4 710	5 410
15.875 (⁵ / ₈)	— (—)	0.794 (¹ / ₂)	*3.175 (¹ / ₈)	— (—)	0.397 (¹ / ₁₆)	8.334 (² / ₁₆)	3.4	4 710	5 410
19.050 (³ / ₄)	— (—)	0.794 (¹ / ₂)	*3.175 (¹ / ₈)	— (—)	0.397 (¹ / ₁₆)	11.112 (⁷ / ₁₆)	6.8	6 340	8 530
19.050 (³ / ₄)	— (—)	0.794 (¹ / ₂)	*3.175 (¹ / ₈)	— (—)	0.397 (¹ / ₁₆)	11.112 (⁷ / ₁₆)	6.8	6 340	8 530
22.225 (⁷ / ₈)	6.350 (¹ / ₄)	0.794 (¹ / ₂)	4.762 (³ / ₁₆)	2.381 (³ / ₃₂)	0.794 (¹ / ₃₂)	13.494 (¹ / ₃₂)	17.6	8 710	12 300
22.225 (⁷ / ₈)	6.350 (¹ / ₄)	0.794 (¹ / ₂)	4.762 (³ / ₁₆)	2.381 (³ / ₃₂)	0.794 (¹ / ₃₂)	13.494 (¹ / ₃₂)	17.6	8 710	12 300
25.400 (1)	6.350 (¹ / ₄)	1.588 (¹ / ₁₆)	4.762 (³ / ₁₆)	2.381 (³ / ₃₂)	1.191 (³ / ₆₄)	18.256 (² / ₃₂)	57.8	13 100	22 700
25.400 (1)	6.350 (¹ / ₄)	1.588 (¹ / ₁₆)	4.762 (³ / ₁₆)	2.381 (³ / ₃₂)	1.588 (¹ / ₁₆)	18.256 (² / ₃₂)	57.8	13 100	22 700
31.750 (1 ¹ / ₄)	7.938 (⁵ / ₁₆)	1.588 (¹ / ₁₆)	4.762 (³ / ₁₆)	2.381 (³ / ₃₂)	1.588 (¹ / ₁₆)	24.209 (⁶ / ₆₄)	103	23 600	31 700
31.750 (1 ¹ / ₄)	7.938 (⁵ / ₁₆)	1.588 (¹ / ₁₆)	4.762 (³ / ₁₆)	2.381 (³ / ₃₂)	1.588 (¹ / ₁₆)	24.209 (⁶ / ₆₄)	103	23 600	31 700
38.100 (1 ¹ / ₂)	9.525 (³ / ₈)	1.588 (¹ / ₁₆)	4.762 (³ / ₁₆)	2.381 (³ / ₃₂)	1.588 (¹ / ₁₆)	26.988 (1 ¹ / ₁₆)	162	28 200	40 100
38.100 (1 ¹ / ₂)	9.525 (³ / ₈)	1.588 (¹ / ₁₆)	4.762 (³ / ₁₆)	2.381 (³ / ₃₂)	1.588 (¹ / ₁₆)	26.988 (1 ¹ / ₁₆)	162	28 200	40 100
44.450 (1 ³ / ₄)	11.112 (⁷ / ₁₆)	1.588 (¹ / ₁₆)	4.762 (³ / ₁₆)	2.381 (³ / ₃₂)	1.588 (¹ / ₁₆)	32.941 (1 ¹ / ₆₄)	258	35 300	55 600
44.450 (1 ³ / ₄)	11.112 (⁷ / ₁₆)	1.588 (¹ / ₁₆)	4.762 (³ / ₁₆)	2.381 (³ / ₃₂)	1.588 (¹ / ₁₆)	32.941 (1 ¹ / ₆₄)	258	35 300	55 600
50.800 (2)	12.700 (¹ / ₂)	1.588 (¹ / ₁₆)	4.762 (³ / ₁₆)	3.175 (¹ / ₈)	1.588 (¹ / ₁₆)	37.306 (1 ¹ / ₃₂)	356	45 700	80 600
50.800 (2)	12.700 (¹ / ₂)	1.588 (¹ / ₁₆)	4.762 (³ / ₁₆)	3.175 (¹ / ₈)	1.588 (¹ / ₁₆)	37.306 (1 ¹ / ₃₂)	356	45 700	80 600
57.150 (2 ¹ / ₄)	14.288 (⁹ / ₁₆)	1.588 (¹ / ₁₆)	4.762 (³ / ₁₆)	3.175 (¹ / ₈)	2.381 (³ / ₃₂)	40.878 (1 ³ / ₆₄)	500	61 400	116 000
57.150 (2 ¹ / ₄)	14.288 (⁹ / ₁₆)	1.588 (¹ / ₁₆)	4.762 (³ / ₁₆)	3.175 (¹ / ₈)	2.381 (³ / ₃₂)	40.878 (1 ³ / ₆₄)	500	61 400	116 000
63.500 (2 ¹ / ₂)	15.875 (⁵ / ₈)	1.588 (¹ / ₁₆)	6.350 (¹ / ₄)	3.175 (¹ / ₈)	2.381 (³ / ₃₂)	51.991 (2 ³ / ₆₄)	892	77 600	172 000
63.500 (2 ¹ / ₂)	15.875 (⁵ / ₈)	1.588 (¹ / ₁₆)	6.350 (¹ / ₄)	3.175 (¹ / ₈)	2.381 (³ / ₃₂)	51.991 (2 ³ / ₆₄)	892	77 600	172 000
69.850 (2 ³ / ₄)	17.462 (1 ¹ / ₁₆)	1.588 (¹ / ₁₆)	6.350 (¹ / ₄)	3.175 (¹ / ₈)	2.381 (³ / ₃₂)	59.928 (2 ³ / ₆₄)	1 450	111 000	239 000
88.900 (3 ¹ / ₂)	19.050 (³ / ₄)	1.588 (¹ / ₁₆)	6.350 (¹ / ₄)	3.175 (¹ / ₈)	2.381 (³ / ₃₂)	64.691 (2 ³ / ₆₄)	2 190	142 000	317 000





ROLLER FOLLOWERS

- Separable Roller Followers
- Non-separable Roller Followers
- Heavy Duty Type Roller Followers





Structure and Features

IKO Roller Followers are bearings designed for outer ring rotation, in which needle rollers are incorporated in a thick walled outer ring. Both crowned and cylindrical outer rings are available. The outer rings run directly on mating track surfaces, and the crowned outer ring is effective in relieving the edge load caused by mounting errors. The cylindrical outer ring, on the other hand, has a large contact area with the mating track surface and is suitable for applications involving large loads or low track surface hardness.

In Roller Followers, there are two types of bearings available, the caged type and the full complement type. The caged type is useful for applications at high-speed rotation. The full complement type, on the other hand, is suitable for heavy-load applications at low-speed rotation or oscillating motions.

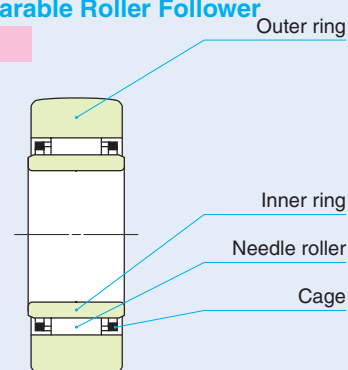
Roller Followers include separable and non-separable types. Also, in addition to the open type, shield type and sealed type are available. The clearances between the side plates and outer ring of the shield type are narrow, and form labyrinths. In the sealed type, special synthetic rubber seals are assembled in these clearances, and they are effective in preventing penetration of dust and dirt.

These bearings are available in a variety of types to suit almost any kind of application. They are widely used for cam mechanisms and for linear motions of conveying equipment.

Structures of Roller Followers

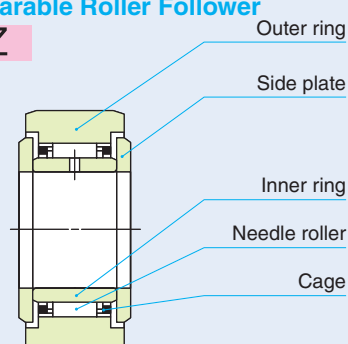
Structure of Separable Roller Follower

NAST...R



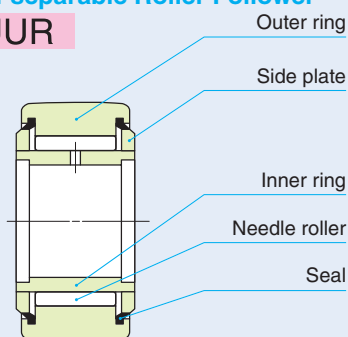
Structure of Separable Roller Follower

NAST...ZZ



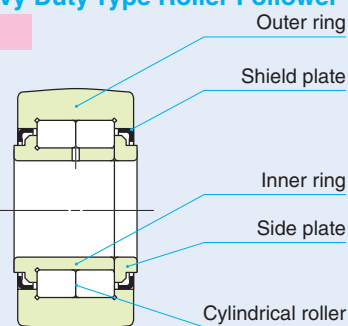
Structure of Non-separable Roller Follower

NART...VUUR



Structure of Heavy Duty Type Roller Follower

NURT...R



NAST, NART, NURT, CRY



1N=0.102kgf=0.2248lbs.
1mm=0.03937inch

F-77



Types

In Roller Followers, types shown in Table 1 are available.

Table 1 Type of Roller Followers

Type				With cage		Full complement type	
				Crowned outer ring	Cylindrical outer ring	Crowned outer ring	Cylindrical outer ring
Metric series	Separable Roller Followers RNAS T, NAST	Without inner ring	Open type	RNAS T... R	RNAS T	—	—
		With inner ring	Open type	NAST... R	NAST	—	—
			Shield type	NAST...ZZ R	NAST...ZZ	—	—
			Sealed type	NAST...ZZUUR	NAST...ZZUU	—	—
	Non-separable Roller Followers NART	Shield type		NART... R	—	NART...V R	—
		Sealed type		NART... UUR	—	NART...VUUR	—
	Heavy Duty Type Roller Followers NURT		Shield type	—	—	NURT... R	NURT
Inch series	Non-separable Roller Followers CRY		Shield type	—	—	CRY ...V R	CRY ...V
			Sealed type	—	—	CRY ...VUUR	CRY ...VUU

Separable Roller Followers

These bearings are assembled by combining an outer ring, inner ring and Needle Roller Cage, which can be separated from one another. Thus, handling is easy. Oil lubrication is also easy, making them suitable for high-speed rotations.

There are two types: type without inner ring RNAS T and type with inner ring NAST. The type with inner ring includes open type, shield type, and sealed type.

Non-separable Roller Followers

These non-separable type bearings have side plates fixed on both sides of the inner ring, and include the caged type and the full complement type. Both shield type and sealed type are available.

Inch series Non-separable Roller Followers are full complement type bearings and their surface is treated with black oxide surface treatment.

Heavy Duty Type Roller Followers

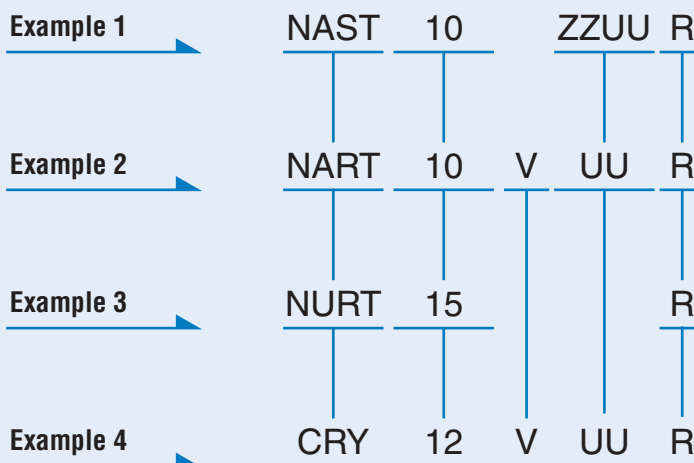
These full complement type bearings incorporate cylindrical rollers in the outer ring in two rows and can withstand large radial loads and some axial loads. These bearings are shield type with non-separable structure.



Identification Number

Some examples of the identification number of Roller Followers are shown below.

Examples of identification number



Model code			
Metric series	RNAST	Separable Roller Follower	Without inner ring
	NAST		With inner ring
	NART	Non-separable Roller Follower	
	NURT	Heavy Duty Type Roller Follower	
Inch series	CRY	Non-separable Roller Follower	

Size
 The size indicates the bore diameter of the inner ring. (unit: mm)
 In the inch series, the bore diameter is indicated in units of 1/16 inch.

Roller guide method	
No symbol	With cage
V	Full complement type

Seal structure (Separable Roller Follower)	
No symbol	Open type
ZZ	Shield type
ZZUU	Sealed type

Seal structure (Other Roller Follower)	
No symbol	Shield type
UU	Sealed type

Shape of outer ring outside surface	
R	With crowned outer ring
No symbol	With cylindrical outer ring

NAST, NART, NURT, CRY





Accuracy

Dimensional accuracy and rotational accuracy of Roller Followers are based on Tables 2, 3 and 4. Tolerances for the smallest single roller set bore diameter of Separable Roller Followers are shown in Table 5. Roller Followers with special accuracy can also be manufactured. Please contact .

Table 2 Tolerances

unit: μm

Dimensions and symbols		Series	Metric series		Inch series	
			Crowned outer ring	Cylindrical outer ring	Crowned outer ring	Cylindrical outer ring
Bore dia. of inner ring d	$d \leq 19.05$	See Table 3.			+ 5 - 10	+ 5 - 10
	$19.05 < d$				+ 2 - 12	
Outside dia. of outer ring D			0 - 50	See Table 4.	0 - 50	0 - 25
Width of outer ring C			0 - 120		0 - 130	
Width of inner ring B	Separable Roller Follower		0 - 120		-	
Width of bearing B	Non-separable Roller Follower	h12		-	+ 130 - 250	
	Heavy Duty Type Roller Follower					
Roller set bore dia. F_w	Separable Roller Follower		See Table 5.		-	

Table 3 Tolerances and allowable values of inner rings (Metric series)

unit: μm

d Nominal bore dia. mm		Δ_{dmp} Single plane mean bore dia. deviation		V_{dp} Bore dia. variation in a single radial plane (Max.)	V_{dmp} Mean bore dia. variation (Max.)	K_{ia} Radial runout of assembled bearing inner ring (Max.)	V_{Bs} Width variation (Max.)
Over	Incl.	High	Low				
2.5	10	0	- 8	10	6	10	15
10	18	0	- 8	10	6	10	20
18	30	0	- 10	13	8	13	20
30	50	0	- 12	15	9	15	20

Table 4 Tolerances and allowable values of outer rings (Metric series)

unit: μm

D Nominal outside dia. of outer ring mm		Δ_{Dmp} Single plane mean outside dia. deviation		$V_{Dp}^{(1)}$ Outside dia. variation in a single radial plane (Max.)	$V_{Dmp}^{(1)}$ Mean outside dia. variation (Max.)	$K_{ea}^{(1)}$ Radial runout of assembled bearing outer ring (Max.)	V_{Cs} Width variation (Max.)
Over	Incl.	High	Low				
6	18	0	- 8	10	6	15	Same as the tolerance values of V_{Bs} for d of the inner of the same bearing
18	30	0	- 9	12	7	15	
30	50	0	- 11	14	8	20	
50	80	0	- 13	16	10	25	
80	120	0	- 15	19	11	35	

Note⁽¹⁾ Also applicable to the inch series.


Table 5 Tolerances of smallest single roller set bore diameter $F_{ws\ min}$
unit: μm

F_w Nominal roller set bore diameter mm		$\Delta_{Fws\ min}$ Deviation of smallest single roller set bore diameter	
Over	Incl.	High	Low
6	10	+22	+13
10	18	+27	+16
18	30	+33	+20
30	50	+41	+25
50	80	+49	+30

Clearance

Radial internal clearances of Roller Followers are based on Table 6.

Table 6 Radial internal clearance
unit: μm

Identification number (1)				Radial internal clearance	
Metric series			Inch series	Min.	Max.
Separable Roller Followers	Non-separable Roller Followers	Heavy Duty Type Roller Followers	Non-separable Roller Followers		
NAST 6R	NART 5R	—	—	5	20
NAST 8R~NAST12R	NART 6R~NART12R	—	—	5	25
NAST15R~NAST25R	NART15R~NART20R	—	—	10	30
NAST30R~NAST40R	NART25R~NART40R	—	—	10	40
NAST45R, NAST50R	NART45R, NART50R	—	—	15	50
—	—	NURT15R~NURT30-1R	—	20	45
—	—	NURT35R~NURT40-1R	—	25	50
—	—	NURT45R~NURT50-1R	—	30	60
—	—	—	CRY12R~CRY56R	35	60
—	—	—	CRY64R	45	70

Note(1) Also applicable to the full complement type, cylindrical outer ring type, shield type and sealed type.

Fit

Roller Followers are generally used under the loading conditions in which the load direction is fixed in relation to the inner ring and rotates in relation to the outer ring. The recommended fits for shafts are shown in Table 7. Those for the inch series are shown in the dimension table.

Table 7 Recommended fit (Metric series)

Type	Tolerance class of shaft
Separable Roller Followers	without inner ring
	with inner ring
Non-separable Roller Followers	g6, h6
Heavy Duty Type Roller Followers	

Maximum allowable static load

The load that is applicable to Roller Followers is, in some cases, determined by the strength of the outer ring rather than by the load rating of the needle roller bearing. Therefore, the maximum allowable load that is limited by the strength of outer ring is specified.

Operating temperature

The allowable temperature range for Roller Follower is $-20^{\circ}\text{C}\sim+120^{\circ}\text{C}$.

Life and Safety Factor

Please consult IKO.

1N=0.102kgf=0.2248lbs.
1mm=0.03937inch

F-81

NAST, NART, NURT, CRY

F



Track Capacity

Track capacity is defined as the load that can be continuously applied on a Roller Follower placed on a steel track surface without causing deformation and indentation on the track surface when the outer ring of the Roller Follower makes contact with the mating track surface (plane). The track capacities shown in Tables 8.1 and 8.2 are applicable when the hardness of the mating track surface is 40HRC (Tensile

strength 1250N/mm²). When the hardness of the mating track surface differs from 40HRC, the track capacity is obtained by multiplying the value by the track capacity factor shown in Table 9.

If lubrication between the outer ring and the mating track surface is insufficient, seizure and/or wear may occur depending on the application. Therefore, pay attention to lubrication and surface roughness of the mating track especially in the case of high-speed rotation such as for cam mechanisms.

Table 8.1 Track capacity (Metric series)

unit: N

Roller Followers with crowned outer ring				Roller Followers with cylindrical outer ring					
Identification number (1)			Track capacity	Identification number	Track capacity	Identification number (2)	Track capacity	Identification number	Track capacity
Separable Roller Followers	Non-separable Roller Followers	Heavy Duty Type Roller Followers							
RNAST 5R	NART 5R	—	1 040	RNAST 5	2 310	—	—	—	—
(R)NAST 6R	NART 6R	—	1 330	(R)NAST 6	3 550	NAST 6ZZ	3 550	—	—
(R)NAST 8R	NART 8R	—	1 850	(R)NAST 8	3 980	NAST 8ZZ	4 490	—	—
(R)NAST10R	NART10R	—	2 470	(R)NAST10	5 610	NAST10ZZ	6 890	—	—
(R)NAST12R	NART12R	—	2 710	(R)NAST12	5 990	NAST12ZZ	7 350	—	—
(R)NAST15R	NART15R	NURT15 R	3 060	(R)NAST15	6 550	NAST15ZZ	8 030	NURT15	11 500
—	—	NURT15-1R	3 910	—	—	—	—	NURT15-1	13 700
(R)NAST17R	NART17R	NURT17 R	3 660	(R)NAST17	10 900	NAST17ZZ	11 700	NURT17	13 600
—	—	NURT17-1R	4 530	—	—	—	—	NURT17-1	16 000
(R)NAST20R	NART20R	NURT20 R	4 530	(R)NAST20	12 800	NAST20ZZ	13 800	NURT20	20 000
—	—	NURT20-1R	5 190	—	—	—	—	NURT20-1	22 100
(R)NAST25R	NART25R	NURT25 R	5 190	(R)NAST25	14 100	NAST25ZZ	15 300	NURT25	22 100
—	—	NURT25-1R	6 580	—	—	—	—	NURT25-1	26 400
(R)NAST30R	NART30R	NURT30 R	6 580	(R)NAST30	22 100	NAST30ZZ	22 100	NURT30	31 600
—	—	NURT30-1R	8 020	—	—	—	—	NURT30-1	36 700
(R)NAST35R	NART35R	NURT35 R	8 020	(R)NAST35	25 700	NAST35ZZ	25 700	NURT35	36 700
—	—	NURT35-1R	9 220	—	—	—	—	NURT35-1	40 800
(R)NAST40R	NART40R	NURT40 R	9 220	(R)NAST40	26 900	NAST40ZZ	30 300	NURT40	44 200
—	—	NURT40-1R	10 800	—	—	—	—	NURT40-1	49 700
(R)NAST45R	NART45R	NURT45 R	9 990	(R)NAST45	28 500	NAST45ZZ	32 200	NURT45	47 000
—	—	NURT45-1R	12 400	—	—	—	—	NURT45-1	55 300
(R)NAST50R	NART50R	NURT50 R	10 800	(R)NAST50	30 200	NAST50ZZ	34 000	NURT50	49 700
—	—	NURT50-1R	14 000	—	—	—	—	NURT50-1	60 800

Notes(1) Also applicable to the full complement type, shield type, and sealed type.

(2) Also applicable to the sealed type.

Table 8.2 Track capacity (Inch series)

unit: N

Crowned outer ring		Cylindrical outer ring	
Identification number (1)	Track capacity	Identification number (1)	Track capacity
CRY12R	853	CRY12	4 490
CRY14R	1 050	CRY14	5 240
CRY16R	1 420	CRY16	7 270
CRY18R	1 660	CRY18	7 700
CRY20R	2 160	CRY20	10 700
CRY22R	2 450	CRY22	11 800
CRY24R	3 410	CRY24	15 400
CRY26R	3 820	CRY26	16 700
CRY28R	4 210	CRY28	21 000
CRY30R	4 610	CRY30	22 500
CRY32R	5 690	CRY32	30 800
CRY36R	6 640	CRY36	34 700
CRY40R	8 970	CRY40	44 900
CRY44R	10 200	CRY44	49 400
CRY48R	11 400	CRY48	64 300
CRY52R	12 700	CRY52	69 600
CRY56R	14 100	CRY56	87 000
CRY64R	16 800	CRY64	113 000

Note(1) Also applicable to the sealed type.

F-82

Table 9 Track capacity factor

Hardness HRC	Tensile strength N/mm ²	Track capacity factor	
		Crowned outer ring	Cylindrical outer ring
20	760	0.22	0.37
25	840	0.31	0.46
30	950	0.45	0.58
35	1 080	0.65	0.75
38	1 180	0.85	0.89
40	1 250	1.00	1.00
42	1 340	1.23	1.15
44	1 435	1.52	1.32
46	1 530	1.85	1.51
48	1 635	2.27	1.73
50	1 760	2.80	1.99
52	1 880	3.46	2.29
54	2 015	4.21	2.61
56	2 150	5.13	2.97
58	2 290	6.26	3.39

Allowable Rotational Speed

The allowable rotational speed of Roller Followers is affected by mounting and operating conditions. For reference, Table 10 shows dn values when only pure radial loads are applied. Under actual operating conditions, the recommended dn value is 1/10 of the value shown in the table in consideration of the axial loads that may act on the bearing.

Table 10 dn values of Roller Followers⁽¹⁾

Type	Lubricant	
	Grease	Oil
Caged type	84 000	140 000
Full complement type	42 000	70 000
Heavy Duty Type Roller Follower	72 000	120 000

Note⁽¹⁾ dn value = $d \times n$
 where, d : Bore diameter of bearing mm
 n : Rotational speed rpm

Lubrication

In Sealed Type Roller Followers, Heavy Duty Type Roller Followers and Inch series Roller Followers, ALVANIA GREASE S2 (SHELL) is prepacked as the lubricating grease.

For Roller Followers without prepacked grease, grease or oil should be supplied through the oil hole of the inner ring for use. If they are used without lubrication, wear of rolling contact surfaces may take place, leading to a short bearing life.

Oil Hole

Open Type Separable Roller Followers have no oil hole. Inner rings of other types of Metric series Roller Followers have an oil hole. Inch series inner rings have an oil groove and an oil hole.

Mounting

- ① In case of shield and sealed types, match the side surface correctly to the mating seating surface indicated by the dimension a shown in the dimension table, and fix them. (See Fig. 1.)
- ② When mounting Roller Followers, pay special attention to avoid locating the oil hole of the inner ring within the loading zone. This may lead to a short bearing life. (See Fig. 2.)
- ③ When mounting Sealed Type Separable Roller Followers, do not cause the side plates to come off. If they come off, set them again in place taking care to avoid damaging the seal lips.

- ④ In case of Roller Followers without an inner ring, the shaft requires heat treatment and grinding finish. The recommended surface hardness of the shaft is 58~64HRC, and the recommended roughness of the shaft is $0.2 \mu\text{m}R_a$ or less. Also, the outer ring and cage are guided by side surfaces of the mounting parts. Therefore, it is recommended that the side surfaces of the mounting parts be finished by grinding or at least by machining. (See Fig. 3.)
- ⑤ In Non-separable Roller Followers, the side plates are press-fitted. Therefore, when mounting the Roller Followers, do not push the side plates.

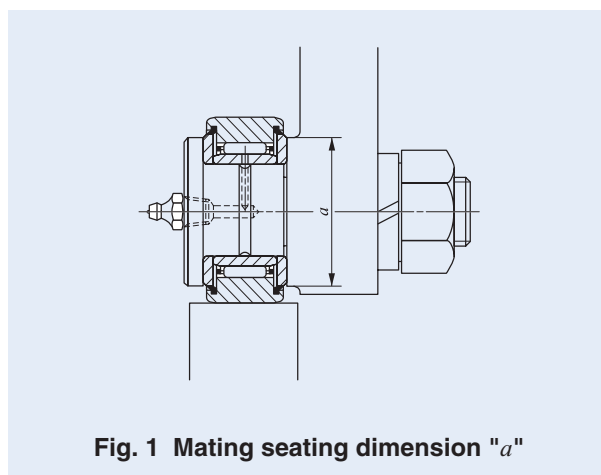


Fig. 1 Mating seating dimension "a"

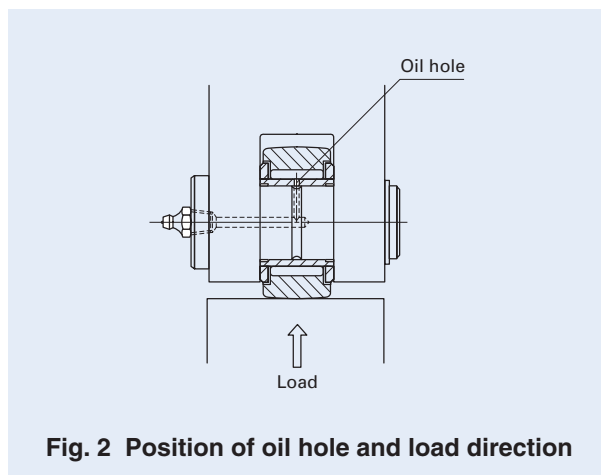


Fig. 2 Position of oil hole and load direction

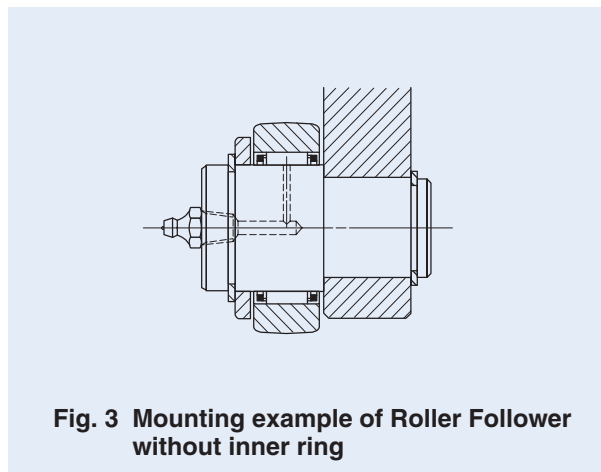
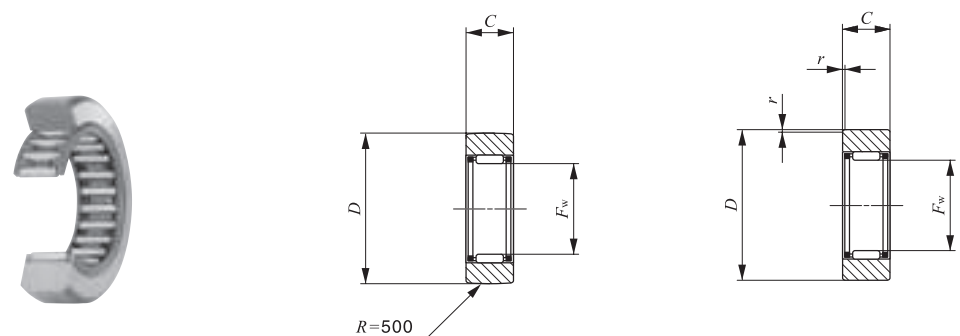


Fig. 3 Mounting example of Roller Follower without inner ring



ROLLER FOLLOWERS

Separable Roller Followers, Open Type **With Cage/Without Inner Ring**



Shaft dia. 7–60mm

RNAS...R

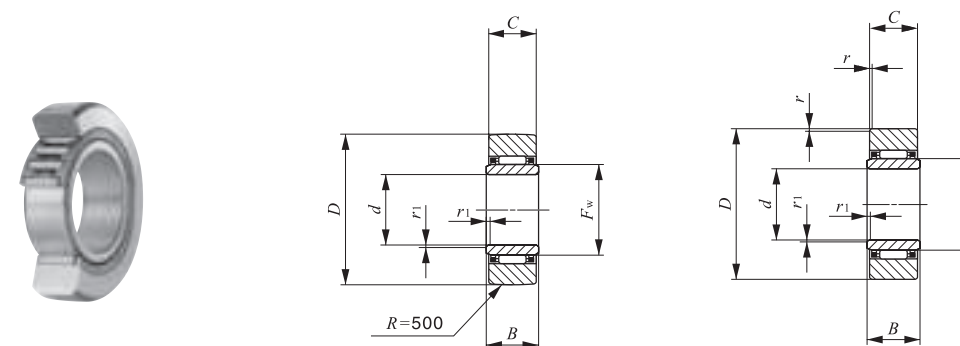
RNAST

Shaft dia. mm	Identification number		Mass (Ref.) g	Boundary dimensions mm				Basic dynamic load rating C N	Basic static load rating C ₀ N
	Open type			F _w	D	C	r _{s min} ⁽¹⁾		
	Crowned outer ring	Cylindrical outer ring							
7	RNAST 5 R	RNAST 5	8.9	7	16	7.8	0.3	2 710	2 390
10	RNAST 6 R	RNAST 6	13.9	10	19	9.8	0.3	4 160	4 550
12	RNAST 8 R	RNAST 8	23.5	12	24	9.8	0.6	5 650	5 890
14	RNAST 10 R	RNAST 10	42.5	14	30	11.8	1	9 790	9 680
16	RNAST 12 R	RNAST 12	49.5	16	32	11.8	1	10 500	10 900
20	RNAST 15 R	RNAST 15	50	20	35	11.8	1	12 400	14 300
22	RNAST 17 R	RNAST 17	90	22	40	15.8	1	17 600	20 900
25	RNAST 20 R	RNAST 20	135	25	47	15.8	1	19 400	24 500
30	RNAST 25 R	RNAST 25	152	30	52	15.8	1	20 800	28 400
38	RNAST 30 R	RNAST 30	255	38	62	19.8	1	30 500	45 400
42	RNAST 35 R	RNAST 35	375	42	72	19.8	1	32 400	50 600
50	RNAST 40 R	RNAST 40	420	50	80	19.8	1.5	35 900	61 100
55	RNAST 45 R	RNAST 45	460	55	85	19.8	1.5	37 400	66 400
60	RNAST 50 R	RNAST 50	500	60	90	19.8	1.5	38 900	71 700

Note⁽¹⁾ Minimum allowable value of chamfer dimension r

- Remarks1. No oil hole is provided.
2. Not provided with prepacked grease. Perform proper lubrication for use.

Separable Roller Followers, Open Type **With Cage/With Inner Ring**



Shaft dia. 6–50mm

NAST...R

NAST

Shaft dia. mm	Identification number		Mass (Ref.) g	Boundary dimensions mm						Basic dynamic load rating C N	Basic static load rating C ₀ N	Assembled inner ring	
	Open type			d	D	B	C	r _{s min} ⁽¹⁾	r _{ls min} ⁽¹⁾				F _w
	Crowned outer ring	Cylindrical outer ring											
6	NAST 6 R	NAST 6	17.8	6	19	10	9.8	0.3	0.3	10	4 160	4 550	LRT 61010 S
8	NAST 8 R	NAST 8	28	8	24	10	9.8	0.6	0.3	12	5 650	5 890	LRT 81210 S
10	NAST 10 R	NAST 10	49.5	10	30	12	11.8	1	0.3	14	9 790	9 680	LRT 101412 S
12	NAST 12 R	NAST 12	58	12	32	12	11.8	1	0.3	16	10 500	10 900	LRT 121612 S
15	NAST 15 R	NAST 15	62	15	35	12	11.8	1	0.3	20	12 400	14 300	LRT 152012 S
17	NAST 17 R	NAST 17	109	17	40	16	15.8	1	0.3	22	17 600	20 900	LRT 172216 S
20	NAST 20 R	NAST 20	157	20	47	16	15.8	1	0.3	25	19 400	24 500	LRT 202516 S
25	NAST 25 R	NAST 25	180	25	52	16	15.8	1	0.3	30	20 800	28 400	LRT 253016 S
30	NAST 30 R	NAST 30	320	30	62	20	19.8	1	0.6	38	30 500	45 400	LRT 303820 S
35	NAST 35 R	NAST 35	440	35	72	20	19.8	1	0.6	42	32 400	50 600	LRT 354220 S
40	NAST 40 R	NAST 40	530	40	80	20	19.8	1.5	1	50	35 900	61 100	LRT 405020 S
45	NAST 45 R	NAST 45	580	45	85	20	19.8	1.5	1	55	37 400	66 400	LRT 455520 S
50	NAST 50 R	NAST 50	635	50	90	20	19.8	1.5	1	60	38 900	71 700	LRT 506020 S

Note⁽¹⁾ Minimum allowable value of chamfer dimension r or r₁

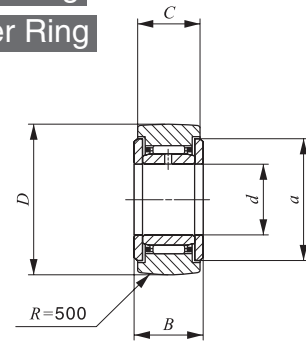
- Remarks1. No oil hole is provided.
2. Not provided with prepacked grease. Perform proper lubrication for use.





ROLLER FOLLOWERS

Separable Roller Followers, Shield Type **With Cage/With Inner Ring**
 Separable Roller Followers, Sealed Type **With Cage/With Inner Ring**

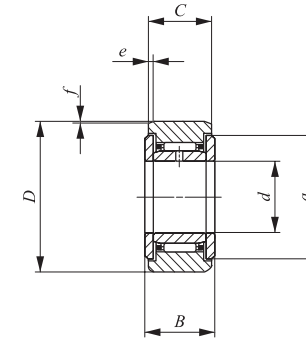


NAST...ZZR

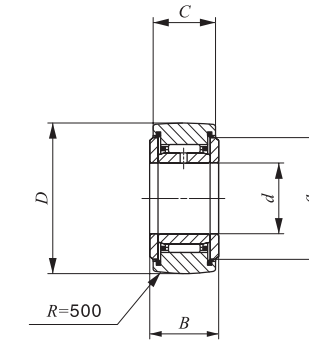
Shaft dia. 6–50mm

Shaft dia. mm	Identification number				Mass (Ref.) g
	Shield type		Sealed type		
	Crowned outer ring	Cylindrical outer ring	Crowned outer ring	Cylindrical outer ring	
6	NAST 6 ZZR	NAST 6 ZZ	NAST 6 ZZUUR	NAST 6 ZZUU	24.5
8	NAST 8 ZZR	NAST 8 ZZ	NAST 8 ZZUUR	NAST 8 ZZUU	39
10	NAST 10 ZZR	NAST 10 ZZ	NAST 10 ZZUUR	NAST 10 ZZUU	65
12	NAST 12 ZZR	NAST 12 ZZ	NAST 12 ZZUUR	NAST 12 ZZUU	75
15	NAST 15 ZZR	NAST 15 ZZ	NAST 15 ZZUUR	NAST 15 ZZUU	83
17	NAST 17 ZZR	NAST 17 ZZ	NAST 17 ZZUUR	NAST 17 ZZUU	135
20	NAST 20 ZZR	NAST 20 ZZ	NAST 20 ZZUUR	NAST 20 ZZUU	195
25	NAST 25 ZZR	NAST 25 ZZ	NAST 25 ZZUUR	NAST 25 ZZUU	225
30	NAST 30 ZZR	NAST 30 ZZ	NAST 30 ZZUUR	NAST 30 ZZUU	400
35	NAST 35 ZZR	NAST 35 ZZ	NAST 35 ZZUUR	NAST 35 ZZUU	550
40	NAST 40 ZZR	NAST 40 ZZ	NAST 40 ZZUUR	NAST 40 ZZUU	710
45	NAST 45 ZZR	NAST 45 ZZ	NAST 45 ZZUUR	NAST 45 ZZUU	760
50	NAST 50 ZZR	NAST 50 ZZ	NAST 50 ZZUUR	NAST 50 ZZUU	830

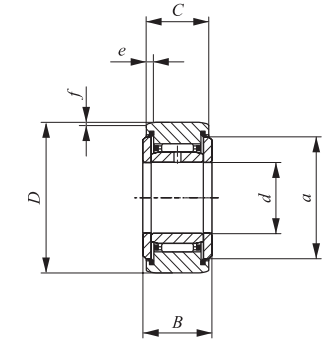
Remarks1. The inner ring has an oil hole.
 2. The sealed type is provided with prepacked grease. The shield type is not provided with prepacked grease. Perform proper lubrication for use.



NAST...ZZ



NAST...ZZUUR



NAST...ZZUU

d	Boundary dimensions mm						Basic dynamic load rating C N	Basic static load rating C ₀ N
	D	B	C	a	e	f		
6	19	14	13.8	14	2.5	0.8	4 160	4 550
8	24	14	13.8	17.5	2.5	0.8	5 650	5 890
10	30	16	15.8	23.5	2.5	0.8	9 790	9 680
12	32	16	15.8	25.5	2.5	0.8	10 500	10 900
15	35	16	15.8	29	2.5	0.8	12 400	14 300
17	40	20	19.8	32.5	3	1	17 600	20 900
20	47	20	19.8	38	3	1	19 400	24 500
25	52	20	19.8	43	3	1	20 800	28 400
30	62	25	24.8	50.5	4	1.2	30 500	45 400
35	72	25	24.8	53.5	4	1.2	32 400	50 600
40	80	26	25.8	61.5	4	1.2	35 900	61 100
45	85	26	25.8	66.5	4	1.2	37 400	66 400
50	90	26	25.8	76	4	1.2	38 900	71 700

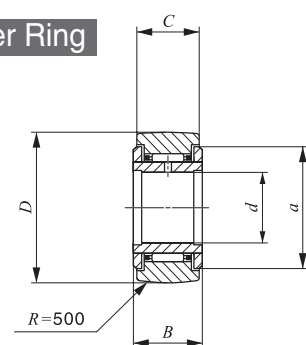




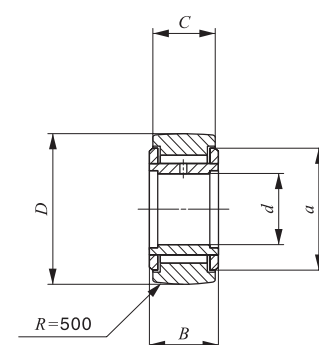
ROLLER FOLLOWERS

Non-separable Roller Followers **With Cage/With Inner Ring**

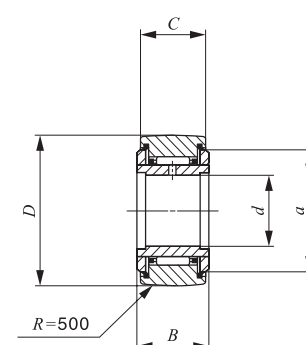
Full Complement Type/With Inner Ring



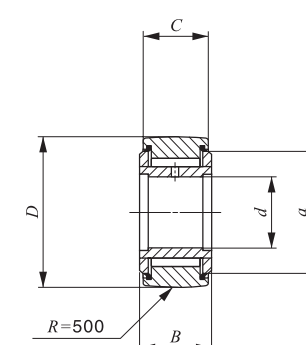
NART...R



NART...VR



NART...UUR



NART...VUUR

Shaft dia. 5–40mm

Shaft dia. mm	Identification number				Mass (Ref.) g
	Shield type Crowned outer ring		Sealed type Crowned outer ring		
	With cage	Full complement	With cage	Full complement	
5	NART 5 R	—	NART 5 UUR	—	14.5
	—	NART 5 VR	—	NART 5 VUUR	15.1
6	NART 6 R	—	NART 6 UUR	—	20.5
	—	NART 6 VR	—	NART 6 VUUR	21.5
8	NART 8 R	—	NART 8 UUR	—	41.5
	—	NART 8 VR	—	NART 8 VUUR	42.5
10	NART 10 R	—	NART 10 UUR	—	64.5
	—	NART 10 VR	—	NART 10 VUUR	66.5
12	NART 12 R	—	NART 12 UUR	—	71
	—	NART 12 VR	—	NART 12 VUUR	73
15	NART 15 R	—	NART 15 UUR	—	102
	—	NART 15 VR	—	NART 15 VUUR	106
17	NART 17 R	—	NART 17 UUR	—	149
	—	NART 17 VR	—	NART 17 VUUR	155
20	NART 20 R	—	NART 20 UUR	—	250
	—	NART 20 VR	—	NART 20 VUUR	255
25	NART 25 R	—	NART 25 UUR	—	285
	—	NART 25 VR	—	NART 25 VUUR	295
30	NART 30 R	—	NART 30 UUR	—	470
	—	NART 30 VR	—	NART 30 VUUR	485
35	NART 35 R	—	NART 35 UUR	—	640
	—	NART 35 VR	—	NART 35 VUUR	655
40	NART 40 R	—	NART 40 UUR	—	845
	—	NART 40 VR	—	NART 40 VUUR	865

Remarks1. The inner ring has an oil hole.
2. The sealed type is provided with prepacked grease. The shield type is not provided with prepacked grease. Perform proper lubrication for use.

Boundary dimensions mm					Basic dynamic load rating C N	Basic static load rating C ₀ N	Maximum allowable static load N
d	D	B	C	a			
5	16	12	11	12	3 650	3 680	3 680
5	16	12	11	12	6 810	8 370	7 310
6	19	12	11	14	4 250	4 740	4 740
6	19	12	11	14	7 690	10 300	10 300
8	24	15	14	17.5	5 640	5 900	5 900
8	24	15	14	17.5	11 800	15 600	15 600
10	30	15	14	23.5	8 030	7 540	7 540
10	30	15	14	23.5	15 600	18 100	17 500
12	32	15	14	25.5	8 580	8 470	8 470
12	32	15	14	25.5	16 800	20 500	18 600
15	35	19	18	29	13 700	16 400	16 400
15	35	19	18	29	25 200	36 400	24 000
17	40	21	20	32.5	17 600	21 000	21 000
17	40	21	20	32.5	32 000	46 300	33 100
20	47	25	24	38	23 000	30 700	30 700
20	47	25	24	38	41 600	67 300	67 300
25	52	25	24	43	24 700	35 400	35 400
25	52	25	24	43	45 500	79 100	79 100
30	62	29	28	50.5	33 600	51 400	51 400
30	62	29	28	50.5	59 900	110 000	92 500
35	72	29	28	53.5	35 700	57 400	57 400
35	72	29	28	53.5	63 100	121 000	121 000
40	80	32	30	61.5	44 900	81 500	81 500
40	80	32	30	61.5	76 300	164 000	164 000

NAST, NART, NUURT, CRY

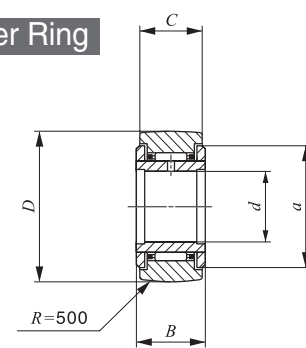




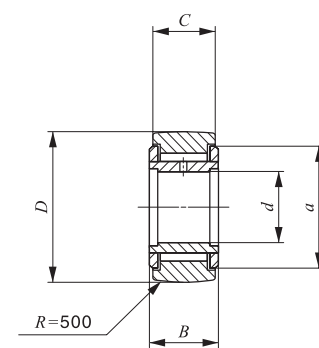
ROLLER FOLLOWERS

Non-separable Roller Followers **With Cage/With Inner Ring**

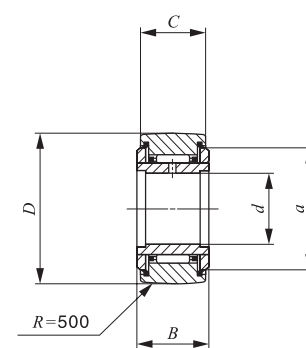
Full Complement Type/With Inner Ring



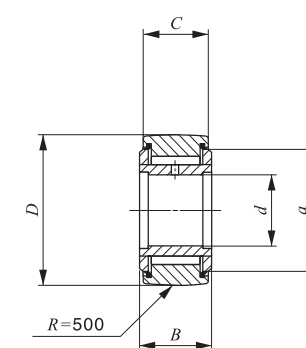
NART...R



NART...VR



NART...UUR



NART...VUUR

Shaft dia. 45—50mm

Shaft dia. mm	Identification number				Mass (Ref.) g
	Shield type Crowned outer ring		Sealed type Crowned outer ring		
	With cage	Full complement	With cage	Full complement	
45	NART 45 R	—	NART 45 UUR	—	915
	—	NART 45 VR	—	NART 45 VUUR	935
50	NART 50 R	—	NART 50 UUR	—	980
	—	NART 50 VR	—	NART 50 VUUR	1 010

Remarks1. The inner ring has an oil hole.
2. The sealed type is provided with prepacked grease. The shield type is not provided with prepacked grease. Perform proper lubrication for use.

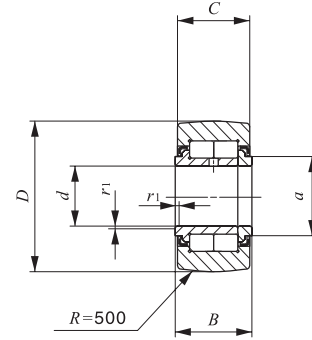
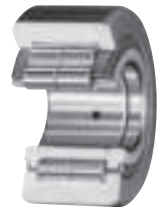
Boundary dimensions mm					Basic dynamic load rating <i>C</i> N	Basic static load rating <i>C₀</i> N	Maximum allowable static load N
<i>d</i>	<i>D</i>	<i>B</i>	<i>C</i>	<i>a</i>			
45	85	32	30	66.5	46 800	88 600	88 600
45	85	32	30	66.5	80 300	181 000	181 000
50	90	32	30	76	48 600	95 600	95 600
50	90	32	30	76	84 300	198 000	198 000



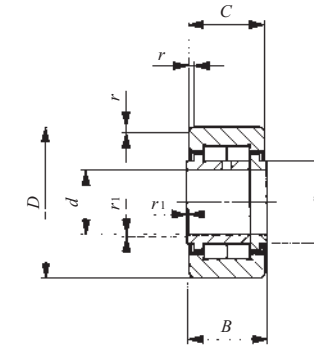


ROLLER FOLLOWERS

Heavy Duty Type Roller Followers **Full Complement Type/With Inner Ring**



NURT...R



NURT

Shaft dia. 15–50mm

Shaft dia. mm	Identification number		Mass (Ref.) g	Boundary dimensions mm					
	Crowned outer ring	Cylindrical outer ring		<i>d</i>	<i>D</i>	<i>B</i>	<i>C</i>	<i>a</i>	<i>r_{s min}</i> ⁽¹⁾
15	NURT 15 R	NURT 15	100	15	35	19	18	20	0.6
	NURT 15-1 R	NURT 15-1	160	15	42	19	18	20	0.6
17	NURT 17 R	NURT 17	147	17	40	21	20	22	1
	NURT 17-1 R	NURT 17-1	222	17	47	21	20	22	1
20	NURT 20 R	NURT 20	245	20	47	25	24	27	1
	NURT 20-1 R	NURT 20-1	321	20	52	25	24	27	1
25	NURT 25 R	NURT 25	281	25	52	25	24	31	1
	NURT 25-1 R	NURT 25-1	450	25	62	25	24	31	1
30	NURT 30 R	NURT 30	466	30	62	29	28	38	1
	NURT 30-1 R	NURT 30-1	697	30	72	29	28	38	1
35	NURT 35 R	NURT 35	630	35	72	29	28	44	1
	NURT 35-1 R	NURT 35-1	840	35	80	29	28	44	1
40	NURT 40 R	NURT 40	817	40	80	32	30	49	1
	NURT 40-1 R	NURT 40-1	1 130	40	90	32	30	49	1
45	NURT 45 R	NURT 45	883	45	85	32	30	53	1
	NURT 45-1 R	NURT 45-1	1 400	45	100	32	30	53	1
50	NURT 50 R	NURT 50	950	50	90	32	30	58	1
	NURT 50-1 R	NURT 50-1	1 690	50	110	32	30	58	1

Note⁽¹⁾ Minimum allowable value of chamfer dimension *r* or *r₁*
 Remarks1. The inner ring has an oil hole.
 2. Provided with prepacked grease.

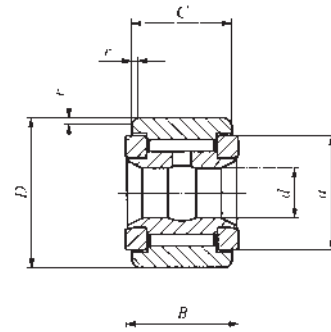
<i>r_{1s min}</i> ⁽¹⁾	Basic dynamic load rating <i>C</i> N	Basic static load rating <i>C₀</i> N	Maximum allowable static load N
0.3	23 400	27 300	11 800
0.3	23 400	27 300	27 300
0.3	25 200	30 900	20 300
0.3	25 200	30 900	30 900
0.3	38 900	49 000	27 200
0.3	38 900	49 000	49 000
0.3	43 100	58 100	30 000
0.3	43 100	58 100	58 100
0.3	58 200	75 300	35 200
0.3	58 200	75 300	75 300
0.6	63 900	88 800	57 000
0.6	63 900	88 800	88 800
0.6	86 500	122 000	75 300
0.6	86 500	122 000	122 000
0.6	91 500	135 000	78 700
0.6	91 500	135 000	135 000
0.6	96 300	148 000	82 100
0.6	96 300	148 000	148 000



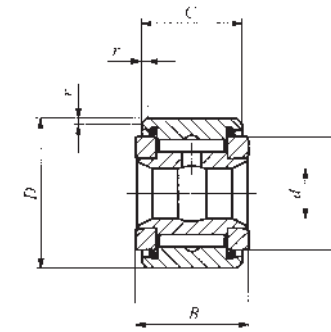


ROLLER FOLLOWERS

Non-separable Roller Followers, Inch Series **Full Complement Type /With Inner Ring**



CRY...V



CRY...VUU

Shaft dia. 6.350–31.750mm

Shaft dia. mm (inch)	Identification number		Mass (Ref.) g	Boundary dimensions mm(inch)			
	Shield type Cylindrical outer ring	Sealed type Cylindrical outer ring		<i>d</i>	<i>D</i>	<i>B</i>	<i>C</i>
6.350 (1/4)	CRY 12 V	CRY 12 VUU	27	6.350 (1/4)	19.050 (3/4)	14.288(0.5625)	12.700 (1/2)
	CRY 14 V	CRY 14 VUU	36	6.350 (1/4)	22.225 (7/8)	14.288(0.5625)	12.700 (1/2)
7.938 (5/16)	CRY 16 V	CRY 16 VUU	68	7.938 (5/16)	25.400 (1)	17.463(0.6875)	15.875 (5/8)
	CRY 18 V	CRY 18 VUU	77	7.938 (5/16)	28.575 (1 1/8)	17.463(0.6875)	15.875 (5/8)
9.525 (3/8)	CRY 20 V	CRY 20 VUU	109	9.525 (3/8)	31.750 (1 1/4)	20.638(0.8125)	19.050 (3/4)
	CRY 22 V	CRY 22 VUU	136	9.525 (3/8)	34.925 (1 3/8)	20.638(0.8125)	19.050 (3/4)
11.112 (7/16)	CRY 24 V	CRY 24 VUU	186	11.112 (7/16)	38.100 (1 1/2)	23.813(0.9375)	22.225 (7/8)
	CRY 26 V	CRY 26 VUU	227	11.112 (7/16)	41.275 (1 5/8)	23.813(0.9375)	22.225 (7/8)
12.700 (1/2)	CRY 28 V	CRY 28 VUU	290	12.700 (1/2)	44.450 (1 3/4)	26.988(1.0625)	25.400 (1)
	CRY 30 V	CRY 30 VUU	363	12.700 (1/2)	47.625 (1 7/8)	26.988(1.0625)	25.400 (1)
15.875 (5/8)	CRY 32 V	CRY 32 VUU	476	15.875 (5/8)	50.800 (2)	33.338(1.3125)	31.750 (1 1/4)
	CRY 36 V	CRY 36 VUU	599	15.875 (5/8)	57.150 (2 1/4)	33.338(1.3125)	31.750 (1 1/4)
19.050 (3/4)	CRY 40 V	CRY 40 VUU	816	19.050 (3/4)	63.500 (2 1/2)	39.688(1.5625)	38.100 (1 1/2)
	CRY 44 V	CRY 44 VUU	1 020	19.050 (3/4)	69.850 (2 3/4)	39.688(1.5625)	38.100 (1 1/2)
25.400 (1)	CRY 48 V	CRY 48 VUU	1 410	25.400 (1)	76.200 (3)	46.038(1.8125)	44.450 (1 3/4)
	CRY 52 V	CRY 52 VUU	1 640	25.400 (1)	82.550 (3 1/4)	46.038(1.8125)	44.450 (1 3/4)
28.575 (1 1/8)	CRY 56 V	CRY 56 VUU	2 250	28.575 (1 1/8)	88.900 (3 1/2)	52.388(2.0625)	50.800 (2)
31.750 (1 1/4)	CRY 64 V	CRY 64 VUU	3 200	31.750 (1 1/4)	101.600 (4)	58.738(2.3125)	57.150 (2 1/4)

Remarks1. The inner ring has an oil groove and an oil hole.
2. Provided with prepacked grease.

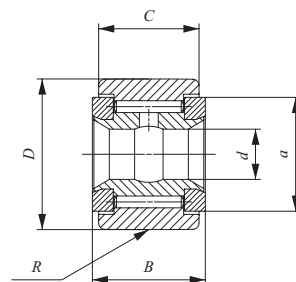
<i>a</i>	<i>r</i>	Shaft dia.						Basic dynamic load rating <i>C</i> N	Basic static load rating <i>C</i> ₀ N
		Push fit		Drive fit		Press fit			
		Min.	Max.	Min.	Max.	Min.	Max.		
14.4(0.567)	0.794 (1/32)	6.332	6.342	6.348	6.358	6.353	6.363	8 710	12 300
14.4(0.567)	0.794 (1/32)	6.332	6.342	6.348	6.358	6.353	6.363	8 710	12 300
19.6(0.772)	1.191 (1/16)	7.920	7.930	7.935	7.945	7.940	7.950	13 100	22 700
19.6(0.772)	1.588 (1/16)	7.920	7.930	7.935	7.945	7.940	7.950	13 100	22 700
25.0(0.984)	1.588 (1/16)	9.507	9.517	9.523	9.533	9.528	9.538	23 600	31 700
25.0(0.984)	1.588 (1/16)	9.507	9.517	9.523	9.533	9.528	9.538	23 600	31 700
28.8(1.134)	1.588 (1/16)	11.095	11.105	11.110	11.120	11.115	11.125	28 200	40 100
28.8(1.134)	1.588 (1/16)	11.095	11.105	11.110	11.120	11.115	11.125	28 200	40 100
32.7(1.287)	1.588 (1/16)	12.682	12.692	12.698	12.708	12.708	12.718	35 300	55 600
32.7(1.287)	1.588 (1/16)	12.682	12.692	12.698	12.708	12.708	12.718	35 300	55 600
36.0(1.417)	1.588 (1/16)	15.857	15.867	15.873	15.883	15.883	15.893	45 700	80 600
36.0(1.417)	1.588 (1/16)	15.857	15.867	15.873	15.883	15.883	15.893	45 700	80 600
43.3(1.705)	2.381 (3/32)	19.032	19.042	19.048	19.058	19.058	19.068	61 400	116 000
43.3(1.705)	2.381 (3/32)	19.032	19.042	19.048	19.058	19.058	19.068	61 400	116 000
54.0(2.125)	2.381 (3/32)	25.377	25.390	25.397	25.410	25.408	25.420	77 600	172 000
54.0(2.125)	2.381 (3/32)	25.377	25.390	25.397	25.410	25.408	25.420	77 600	172 000
61.9(2.437)	2.381 (3/32)	28.522	28.565	28.572	28.585	28.583	28.595	111 000	239 000
71.0(2.797)	2.381 (3/32)	31.727	31.740	31.747	31.760	31.758	31.770	142 000	317 000



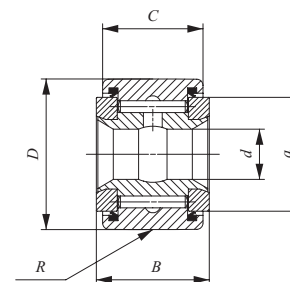


ROLLER FOLLOWERS

Non-separable Roller Followers, Inch Series **Full Complement Type / With Inner Ring**



CRY...VR



CRY...VUUR

Shaft dia. 6.350–31.750mm

Shaft dia. mm (inch)	Identification number		Mass (Ref.) g	Boundary dimensions mm(inch)			
	Shield type Crowned outer ring	Sealed type Crowned outer ring		<i>d</i>	<i>D</i>	<i>B</i>	<i>C</i>
6.350 (1/4)	CRY 12 VR	CRY 12 VUUR	27	6.350 (1/4)	19.050 (3/4)	14.288(0.5625)	12.700 (1/2)
	CRY 14 VR	CRY 14 VUUR	36	6.350 (1/4)	22.225 (7/8)	14.288(0.5625)	12.700 (1/2)
7.938 (5/16)	CRY 16 VR	CRY 16 VUUR	68	7.938 (5/16)	25.400 (1)	17.463(0.6875)	15.875 (5/8)
	CRY 18 VR	CRY 18 VUUR	77	7.938 (5/16)	28.575 (1 1/8)	17.463(0.6875)	15.875 (5/8)
9.525 (3/8)	CRY 20 VR	CRY 20 VUUR	109	9.525 (3/8)	31.750 (1 1/4)	20.638(0.8125)	19.050 (3/4)
	CRY 22 VR	CRY 22 VUUR	136	9.525 (3/8)	34.925 (1 3/8)	20.638(0.8125)	19.050 (3/4)
11.112 (7/16)	CRY 24 VR	CRY 24 VUUR	186	11.112 (7/16)	38.100 (1 1/2)	23.813(0.9375)	22.225 (7/8)
	CRY 26 VR	CRY 26 VUUR	227	11.112 (7/16)	41.275 (1 5/8)	23.813(0.9375)	22.225 (7/8)
12.700 (1/2)	CRY 28 VR	CRY 28 VUUR	290	12.700 (1/2)	44.450 (1 3/4)	26.988(1.0625)	25.400 (1)
	CRY 30 VR	CRY 30 VUUR	363	12.700 (1/2)	47.625 (1 7/8)	26.988(1.0625)	25.400 (1)
15.875 (5/8)	CRY 32 VR	CRY 32 VUUR	476	15.875 (5/8)	50.800 (2)	33.338(1.3125)	31.750 (1 1/4)
	CRY 36 VR	CRY 36 VUUR	599	15.875 (5/8)	57.150 (2 1/4)	33.338(1.3125)	31.750 (1 1/4)
19.050 (3/4)	CRY 40 VR	CRY 40 VUUR	816	19.050 (3/4)	63.500 (2 1/2)	39.688(1.5625)	38.100 (1 1/2)
	CRY 44 VR	CRY 44 VUUR	1 020	19.050 (3/4)	69.850 (2 3/4)	39.688(1.5625)	38.100 (1 1/2)
25.400 (1)	CRY 48 VR	CRY 48 VUUR	1 410	25.400 (1)	76.200 (3)	46.038(1.8125)	44.450 (1 3/4)
	CRY 52 VR	CRY 52 VUUR	1 640	25.400 (1)	82.550 (3 1/4)	46.038(1.8125)	44.450 (1 3/4)
28.575 (1 1/8)	CRY 56 VR	CRY 56 VUUR	2 250	28.575 (1 1/8)	88.900 (3 1/2)	52.388(2.0625)	50.800 (2)
31.750 (1 1/4)	CRY 64 VR	CRY 64 VUUR	3 200	31.750 (1 1/4)	101.600 (4)	58.738(2.3125)	57.150 (2 1/4)

Remarks1. The inner ring has an oil groove and an oil hole.
2. Provided with prepacked grease.

<i>a</i>	<i>R</i>	Shaft dia.						Basic dynamic load rating <i>C</i> N	Basic static load rating <i>C</i> ₀ N
		Push fit		Drive fit		Press fit			
		Min.	Max.	Min.	Max.	Min.	Max.		
14.4(0.567)	250 (10)	6.332	6.342	6.348	6.358	6.353	6.363	8 710	12 300
14.4(0.567)	250 (10)	6.332	6.342	6.348	6.358	6.353	6.363	8 710	12 300
19.6(0.772)	300 (12)	7.920	7.930	7.935	7.945	7.940	7.950	13 100	22 700
19.6(0.772)	300 (12)	7.920	7.930	7.935	7.945	7.940	7.950	13 100	22 700
25.0(0.984)	360 (14)	9.507	9.517	9.523	9.533	9.528	9.538	23 600	31 700
25.0(0.984)	360 (14)	9.507	9.517	9.523	9.533	9.528	9.538	23 600	31 700
28.8(1.134)	500 (20)	11.095	11.105	11.110	11.120	11.115	11.125	28 200	40 100
28.8(1.134)	500 (20)	11.095	11.105	11.110	11.120	11.115	11.125	28 200	40 100
32.7(1.287)	500 (20)	12.682	12.692	12.698	12.708	12.708	12.718	35 300	55 600
32.7(1.287)	500 (20)	12.682	12.692	12.698	12.708	12.708	12.718	35 300	55 600
36.0(1.417)	600 (24)	15.857	15.867	15.873	15.883	15.883	15.893	45 700	80 600
36.0(1.417)	600 (24)	15.857	15.867	15.873	15.883	15.883	15.893	45 700	80 600
43.3(1.705)	760 (30)	19.032	19.042	19.048	19.058	19.058	19.068	61 400	116 000
43.3(1.705)	760 (30)	19.032	19.042	19.048	19.058	19.058	19.068	61 400	116 000
54.0(2.125)	760 (30)	25.377	25.390	25.397	25.410	25.408	25.420	77 600	172 000
54.0(2.125)	760 (30)	25.377	25.390	25.397	25.410	25.408	25.420	77 600	172 000
61.9(2.437)	760 (30)	28.522	28.565	28.572	28.585	28.583	28.595	111 000	239 000
71.0(2.797)	760 (30)	31.727	31.740	31.747	31.760	31.758	31.770	142 000	317 000

NAST, NART, NURT, CRY



Other Product

Crossed Roller Bearing



CROSSED ROLLER BEARING



Description of Crossed Roller Bearing.....F-100

Dimension Table of Crossed Roller Bearing.....F-114

In the table of dimensions, standard products are referred to using identification numbers marked with . The identification numbers marked with refer to our semi-standard products.

CROSSED ROLLER BEARINGS

- High Rigidity Type Crossed Roller Bearings
- Standard Type Crossed Roller Bearings
- Slim Type Crossed Roller Bearings

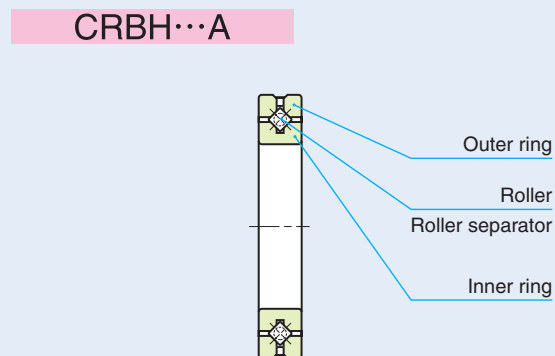
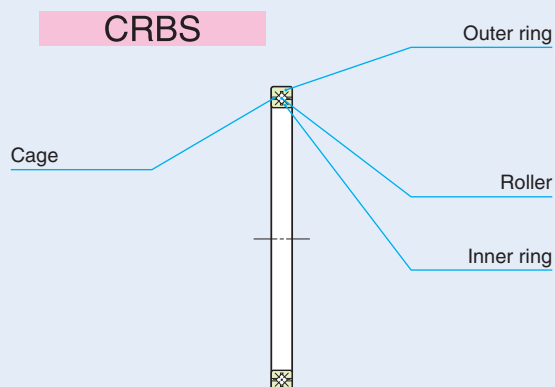
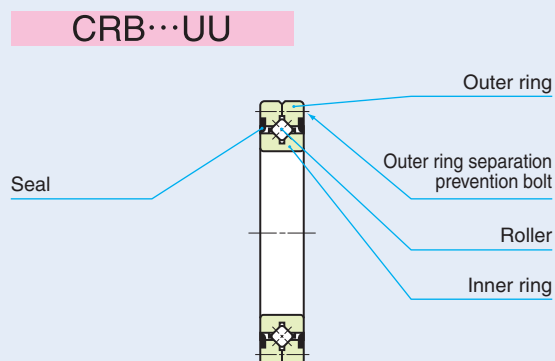
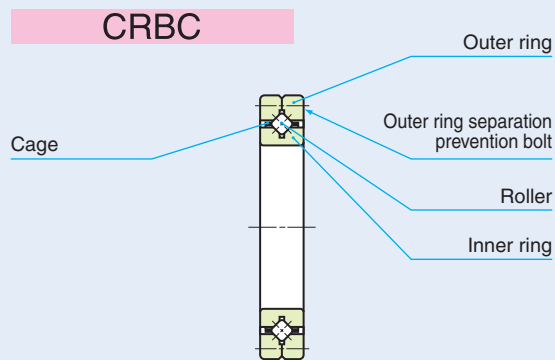


Structure and Features

IICO Crossed Roller Bearings are compact bearings with their rollers alternately crossed at right angles to each other between inner and outer rings. They can take loads from any directions at the same time such as radial, thrust and moment loads. The rollers make line-contact with raceway surfaces, and, therefore, elastic deformation due to bearing loads is very small. These bearings are widely used in the rotating parts of industrial robots, machine tools, medical equipment, etc., which require compactness, high rigidity and high rotational accuracy.

In addition, bearings made of stainless steel or those with inner and outer rings provided with mounting holes are also available on request. Please contact **IICO**.

Structures of Crossed Roller Bearings



CRBH, CRBC, CRB, CRBS

T

1N=0.102kgf=0.2248lbs.
1mm=0.03937inch

F-101

Types

Crossed Roller Bearings are available in the types shown in Table 1.

Table 1 Crossed Roller Bearing Type

Type		With Cage	With Separator	Full complement
High rigidity type crossed roller bearings CRBH	Open type	—	CRBH···A	—
	Sealed type	—	CRBH···AUU	—
Standard type crossed roller bearings CRBC, CRB	Open type	CRBC	—	CRB
	Sealed type	CRBC···UU	—	CRB···UU
Slim type crossed roller bearings CRBS	Open type	CRBS	—	CRBS···V
	Sealed type	—	CRBS···AUU	CRBS···VUU

High Rigidity Type Crossed Roller Bearings

Both inner and outer rings have a solid one-piece construction. Therefore, high accuracy and high rigidity are achieved, and mounting errors can be minimized. As separators are incorporated between the rollers for smooth rotation, these bearings are suitable for applications where rotational speed is comparatively high.

Standard Type Crossed Roller Bearings

The outer ring is made of two split pieces, which are bolted together to prevent separation during transportation or mounting. So, handling is easy.

Slim Type Crossed Roller Bearings

These bearings are very slim bearings having a small outside diameter, in comparison with the bore diameter, and a narrow width. The type with cage and the type with separator provide smooth rotation and are suitable for applications where rotational speed is comparatively high.

Internal Structures and Shapes

Various types are lined up in Crossed Roller Bearing series, including the type with cage, the type with separator, open type, sealed type, etc..

Roller guide method

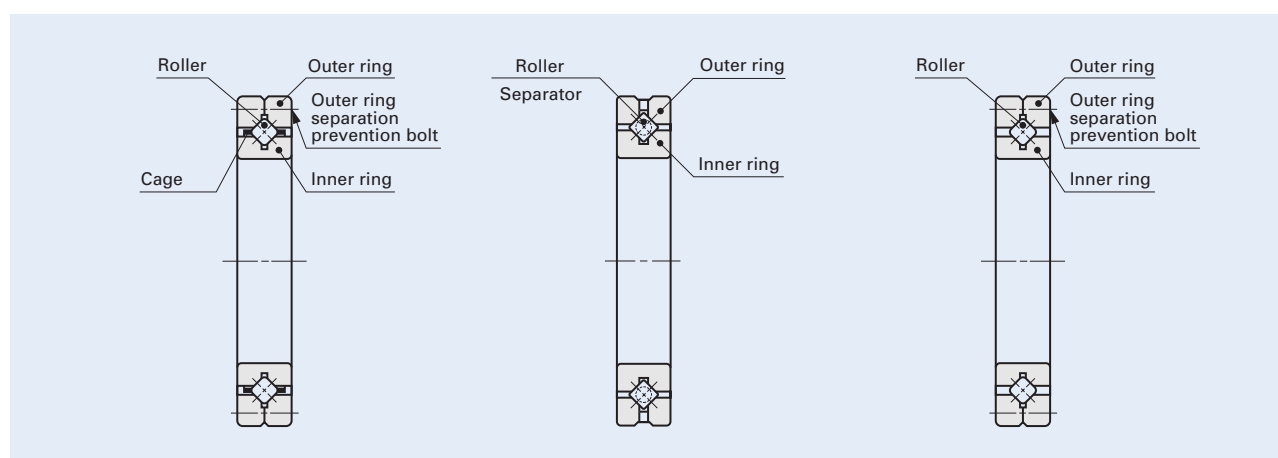
Crossed Roller Bearings include the type with cage, type with separator and full complement type. The type with cage and the type with separator have a small coefficient of friction and are suitable for com-

paratively high speed rotations, while the full complement type is suitable for heavy load applications at low speed rotations.

《With Cage》

《With Separator》

《Full complement》



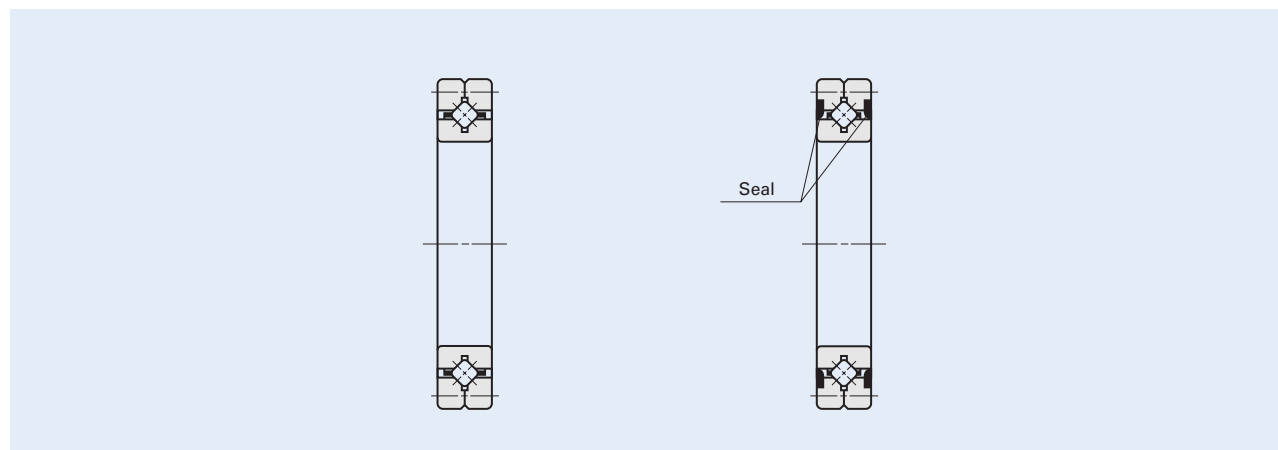
Seal structure

Crossed Roller Bearings include the open type and sealed type. The sealed type bearing incorporates seals made of special synthetic rubber that have

excellent sealing performance against dust and dirt penetration and grease leakage.

《Open type》

《Sealed type》



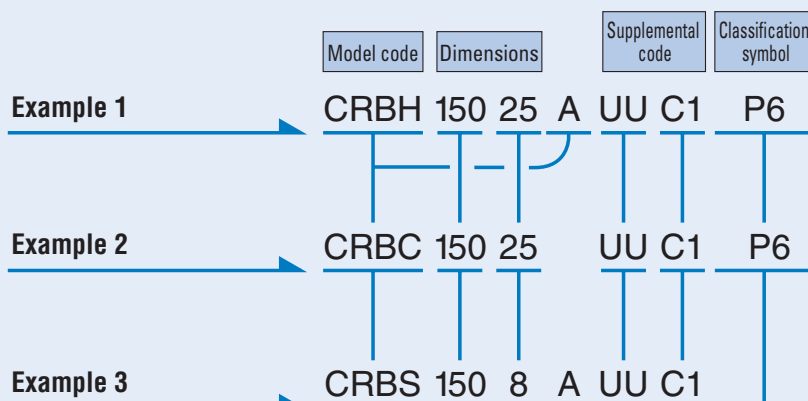
CRBH, CRBC, CRB, CRBS



Identification number

The identification number of Crossed Roller Bearings consists of a model code, dimensions, any supplemental codes and a classification symbol. Some examples are shown below.

Examples of identification number



Model code	
CRBH···A	High Rigidity Type Crossed Roller Bearing (With separator)
CRBC	Standard Type Crossed Roller Bearing (With cage)
CRB	Standard Type Crossed Roller Bearing (Full complement)
CRBS	Slim Type Crossed Roller Bearing (With cage)
CRBS···A	Slim Type Crossed Roller Bearing (With separator)
CRBS···V	Slim Type Crossed Roller Bearing (Full complement)

Dimension	
The dimension indicates the bore diameter of the bearing. (unit : mm)	
The dimension indicates the bearing width. (unit : mm)	

Supplemental code - 1	
No symbol	Open type
UU	Sealed type ⁽¹⁾

Note⁽¹⁾ For the type with a seal on one side, "U" is attached.

Supplemental code - 2		
T1	T1 clearance	
C1	C1 clearance	
C2	C2 clearance	Not applicable to Slim Type Crossed Roller Bearings.
No symbol	Normal clearance	Applicable to Slim Type Crossed Roller Bearings.

Classification symbol		
No symbol	Accuracy class 0	
P6	Accuracy class 6	Not applicable to Slim Type Crossed Roller Bearings.
P5	Accuracy class 5	
P4	Accuracy class 4	
P2	Accuracy class 2	

Load Rating and Life

Basic dynamic load rating C

The basic dynamic load rating is defined as the constant radial load both in direction and magnitude under which a group of identical Crossed Roller Bearings are individually operated and 90% of the units in the group can rotate 1,000,000 revolutions free from material damage due to rolling contact fatigue.

Life

The basic rating life of Crossed Roller Bearings is obtained from the following formula.

$$L_{10} = \left(\frac{C}{P_r}\right)^{10/3} \dots\dots\dots(1)$$

where, L_{10} : Basic rating life, 10^6 rev.
 C : Basic dynamic load rating, N
 P_r : Dynamic equivalent radial load, N

If the number of revolutions per minute is known, the rating life in hours can be obtained from the following formula.

$$L_h = \frac{10^6 L_{10}}{60n} \dots\dots\dots(2)$$

where, L_h : Basic rating life in hours, h
 n : Number of revolutions per minute, rpm

Life in oscillating motion

When a bearing is used in oscillating motion, the life can be obtained from the following formula.

$$L_{OC} = \frac{90}{\theta} \left(\frac{C}{P_r}\right)^p \dots\dots\dots(3)$$

where, L_{OC} : Basic rating life in oscillating motion, 10^6 cycles
 2θ : Oscillating angle, degrees (Refer to Fig. 1)
 P_r : Dynamic equivalent radial load, N

If the number of oscillations per minute n_1 cpm is given, the rating life in hours can be obtained from formula (2) by substituting n_1 for n .

When the oscillating angle 2θ is very small, an oil film may not be formed between the rolling elements and the raceways and fretting corrosion may occur. In this case, please consult **IKO**.

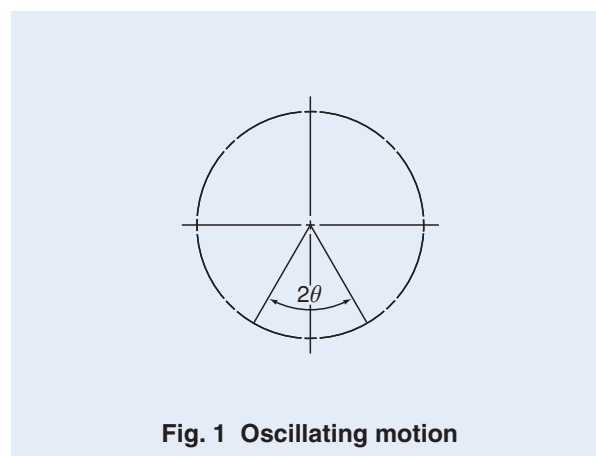


Fig. 1 Oscillating motion

Basic static load rating C_0

The basic static load rating is defined as the static radial load that gives a prescribed constant contact stress at the center of the contact area between the rolling element and raceway receiving the maximum load.

Static safety factor

The static safety factor f_s of Crossed Roller Bearings is obtained by the formula below and Table 2 give standard values of this factor.

$$f_s = \frac{C_0}{P_{or}} \dots\dots\dots(4)$$

- where, f_s : Static safety factor
- C_0 : Basic static load rating, N
- P_{or} : Static equivalent radial load (maximum load), N

Table 2 Static safety factor

Operating conditions	f_s
When high rotating accuracy is required	≥ 3
Normal operation	≥ 1.5
When smooth rotation is not important in normal operation When the bearing is almost not rotating	≥ 1

Load factor

Due to vibration and/or shocks during machine operation, the actual load on each bearing becomes greater in many cases than the theoretically calculated load. The applied load is generally calculated by multiplying the theoretically calculated load by the load factor indicated in Table 3.

$$F = f_w F_C \dots\dots\dots(5)$$

- where, F : Bearing load, N
- f_w : Load factor (Refer to Table 3.)
- F_C : Theoretically calculated load, N

Table 3 Load factor

Operating conditions	f_w
Smooth operation free from vibration and/or shocks	1 ~1.2
Normal operation	1.2~1.5
Operation with vibration and/or shocks	1.5~3

Dynamic Equivalent Load

The dynamic equivalent radial load of Crossed Roller Bearings can be obtained from the following equation.

$$P_r = X \left(F_r + \frac{2M}{D_{pw}} \right) + Y F_a \quad \dots\dots\dots(6)$$

where, P_r : Dynamic equivalent radial load, N
 F_r : Radial load, N
 F_a : Axial load, N
 M : Moment, N-mm
 D_{pw} : Pitch circle diameter of roller set, mm

$$\left(D_{pw} \doteq \frac{d+D}{2} \right)$$

X : Radial load factor (Refer to Table 4.)

Y : Axial load factor (Refer to Table 4.)

Static Equivalent Load

The static equivalent radial load of Crossed Roller Bearings can be obtained from the following equation.

$$P_{0r} = F_r + \frac{2M}{D_{pw}} + 0.44 F_a \quad \dots\dots\dots(7)$$

where, P_{0r} : Static equivalent radial load, N
 F_r : Radial load, N
 F_a : Axial load, N
 M : Moment, N-mm
 D_{pw} : Pitch circle diameter of roller set, mm

$$\left(D_{pw} \doteq \frac{d+D}{2} \right)$$

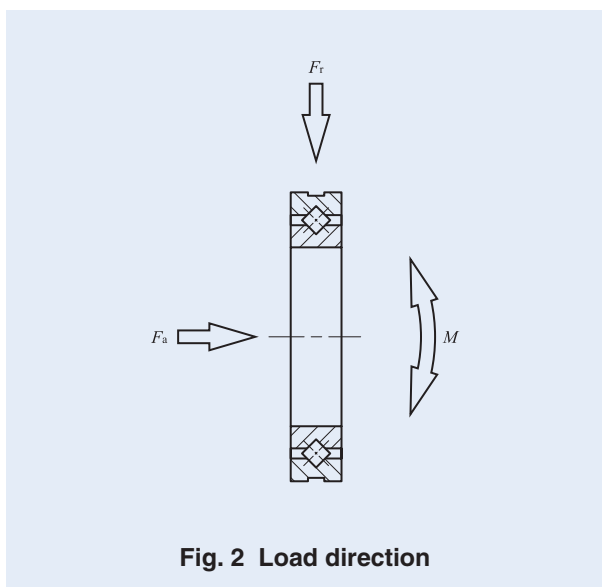


Fig. 2 Load direction

Table 4 Radial load factor and axial load factor

Conditions	X	Y
$\frac{F_a}{F_r + 2M/D_{pw}} \leq 1.5$	1	0.45
$\frac{F_a}{F_r + 2M/D_{pw}} > 1.5$	0.67	0.67

CRBH, CRBC, CRB, CRBS



Accuracy

The accuracy of Crossed Roller Bearings is shown in Tables 5 and 6. However, the accuracy of Slim Type Crossed Roller Bearings is based on Table 7.

Bearings with special accuracy are also optionally available. Please consult .

Table 5 Tolerances and allowable values of inner rings and tolerances of outer ring width

unit: μm

d Nominal bore diameter mm		$\Delta_{dmp}^{(1)}$ Single plane mean bore dia. deviation								Δ_{Bs} Deviation of a single inner ring width		$\Delta_{Cs}^{(2)}$ Deviation of a single outer ring width		K_{ia} Radial run-out of assembled bearing inner ring					S_{ia} Assembled bearing inner ring face run-out with raceway				
		Class 0		Class 6		Class 5		Class 4						Class 0	Class 6	Class 5	Class 4	Class 2	Class 0	Class 6	Class 5	Class 4	Class 2
Over	Incl.	High	Low	High	Low	High	Low	High	Low	High	Low	High	Low	0	6	5	4	2	0	6	5	4	2
18	30	0	-10	0	-8	0	-6	0	-5	0	-75	0	-100	13	8	4	3	2.5	13	8	4	3	2.5
30	50	0	-12	0	-10	0	-8	0	-6	0	-75	0	-100	15	10	5	4	2.5	15	10	5	4	2.5
50	80	0	-15	0	-12	0	-9	0	-7	0	-75	0	-100	20	10	5	4	2.5	20	10	5	4	2.5
80	120	0	-20	0	-15	0	-10	0	-8	0	-75	0	-100	25	13	6	5	2.5	25	13	6	5	2.5
120	150	0	-25	0	-18	0	-13	0	-10	0	-100	0	-120	30	18	8	6	2.5	30	18	8	6	2.5
150	180	0	-25	0	-18	0	-13	0	-10	0	-100	0	-120	30	18	8	6	5	30	18	8	6	5
180	250	0	-30	0	-22	0	-15	0	-12	0	-100	0	-120	40	20	10	8	5	40	20	10	8	5
250	315	0	-35	0	-25	0	-18	-	-	0	-120	0	-150	50	25	13	10	7	50	25	13	10	7
315	400	0	-40	0	-30	0	-23	-	-	0	-150	0	-200	60	30	15	12	8	60	30	15	12	8
400	500	0	-45	0	-35	-	-	-	-	0	-150	0	-200	65	35	18	14	10	65	35	18	14	10
500	630	0	-50	0	-40	-	-	-	-	0	-150	0	-200	70	40	20	16	12	70	40	20	16	12
630	800	0	-75	-	-	-	-	-	-	0	-150	0	-200	80	50	25	20	15	80	50	25	20	15

Notes⁽¹⁾ When values are not indicated in the table (Class 2, etc.), those for the highest class for which the values are indicated are applicable.
⁽²⁾ In case of High Rigidity Type Crossed Roller Bearings, the tolerances for deviation of a single inner ring width are applicable to those of a single outer ring width.

Remark The accuracy specified in this table is not applicable to Slim Type Crossed Roller Bearings.

Table 6 Tolerances and allowable values of outer ring

unit: μm

D Nominal outside diameter mm		$\Delta_{dmp}^{(1)}$ Single plane mean outside dia. deviation								K_{ea} Radial run-out of assembled bearing outer ring					S_{ea} Assembled bearing outer ring face run-out with raceway				
		Class 0		Class 6		Class 5		Class 4		Class 0	Class 6	Class 5	Class 4 ⁽²⁾	Class 2 ⁽²⁾	Class 0	Class 6	Class 5	Class 4 ⁽²⁾	Class 2 ⁽²⁾
Over	Incl.	High	Low	High	Low	High	Low	High	Low	0	6	5	4 ⁽²⁾	2 ⁽²⁾	0	6	5	4 ⁽²⁾	2 ⁽²⁾
30	50	0	-11	0	-9	0	-7	0	-6	20	10	7	5	2.5	20	10	7	5	2.5
50	80	0	-13	0	-11	0	-9	0	-7	25	13	8	5	4	25	13	8	5	4
80	120	0	-15	0	-13	0	-10	0	-8	35	18	10	6	5	35	18	10	6	5
120	150	0	-18	0	-15	0	-11	0	-9	40	20	11	7	5	40	20	11	7	5
150	180	0	-25	0	-18	0	-13	0	-10	45	23	13	8	5	45	23	13	8	5
180	250	0	-30	0	-20	0	-15	0	-11	50	25	15	10	7	50	25	15	10	7
250	315	0	-35	0	-25	0	-18	0	-13	60	30	18	11	7	60	30	18	11	7
315	400	0	-40	0	-28	0	-20	-	-	70	35	20	-	-	70	35	20	-	-
400	500	0	-45	0	-33	0	-23	-	-	80	40	23	-	-	80	40	23	-	-
500	630	0	-50	0	-38	0	-28	-	-	100	50	25	-	-	100	50	25	-	-
630	800	0	-75	0	-45	-	-	-	-	120	60	30	-	-	120	60	30	-	-
800	1000	0	-100	0	-60	-	-	-	-	120	75	35	-	-	120	75	35	-	-
1000	1030	0	-125	-	-	-	-	-	-	120	75	35	-	-	120	75	35	-	-

Notes⁽¹⁾ When values are not indicated in the table (Class 2, etc.), those for the highest class for which the values are indicated are applicable.
⁽²⁾ Classes 4 and 2 apply to High Rigidity Type Crossed Roller Bearings. For Standard Type Crossed Roller Bearings, the tolerance values for Class 5 are applicable to Classes 4 and 2.

Remark The accuracy specified in this table is not applicable to Slim Type Crossed Roller Bearings.

Table 7 Tolerances and allowable values of Slim Type Crossed Roller Bearingsunit: μm

d Nominal bore diameter mm	Δd_{mp} Single plane mean bore dia. deviation		ΔD_{mp} Single plane mean outside dia. deviation		ΔB_s and ΔC_s Deviations of a single inner ring width and outer ring width		K_{ia} and S_{ia} Radial and axial run-out of assembled bearing inner ring	K_{ea} and S_{ea} Radial and axial run-out of assembled bearing outer ring
	High	Low	High	Low	High	Low		
50	0	-15	0	-13	0	-127	13	13
60	0	-15	0	-13	0	-127	13	13
70	0	-15	0	-15	0	-127	15	15
80	0	-20	0	-15	0	-127	15	15
90	0	-20	0	-15	0	-127	15	15
100	0	-20	0	-15	0	-127	15	15
110	0	-20	0	-20	0	-127	20	20
120	0	-25	0	-20	0	-127	20	20
130	0	-25	0	-25	0	-127	25	25
140	0	-25	0	-25	0	-127	25	25
150	0	-25	0	-25	0	-127	25	25
160	0	-25	0	-25	0	-127	25	25
170	0	-25	0	-30	0	-127	25	25
180	0	-30	0	-30	0	-127	30	30
190	0	-30	0	-30	0	-127	30	30
200	0	-30	0	-30	0	-127	30	30

Clearance

The radial internal clearances of Crossed Roller Bearings are shown in Table 8.1. However, the radial internal clearances of Slim Type Crossed Roller Bearings are based on Table 8.2.

Table 8.1 Radial internal clearances unit: μm

d Nominal bore diameter mm		Radial internal clearance					
		T1		C1		C2	
Over	Incl.	Min.	Max.	Min.	Max.	Min.	Max.
—	30	− 10	0	0	10	10	20
30	40	− 10	0	0	10	10	20
40	50	− 10	0	0	10	10	25
50	65	− 10	0	0	10	10	25
65	80	− 10	0	0	15	15	30
80	100	− 10	0	0	15	15	35
100	120	− 15	0	0	15	15	35
120	140	− 15	0	0	20	20	45
140	160	− 15	0	0	20	20	50
160	200	− 15	0	0	20	20	50
200	250	− 20	0	0	25	25	60
250	315	− 20	0	0	25	25	60
315	400	− 25	0	0	30	30	70
400	500	− 30	0	0	40	40	85
500	630	− 30	0	0	50	50	100
630	710	− 30	0	0	60	60	120
710	800	− 40	0	0	70	70	140

Remark This table is not applicable to Slim Type Crossed Roller Bearings.

Table 8.2 Radial internal clearances of Slim Type Crossed Roller Bearings unit: μm

d Nominal bore diameter mm	Radial internal clearance					
	T1		C1		Normal	
	Min.	Max.	Min.	Max.	Min.	Max.
50	− 8	0	0	15	30	56
60	− 8	0	0	15	30	56
70	− 8	0	0	15	30	56
80	− 8	0	0	15	41	66
90	− 8	0	0	15	41	66
100	− 8	0	0	15	41	66
110	− 8	0	0	15	41	66
120	− 8	0	0	15	51	76
130	− 8	0	0	15	51	76
140	− 8	0	0	15	51	76
150	− 8	0	0	15	51	76
160	− 10	0	0	20	51	76
170	− 10	0	0	20	51	76
180	− 10	0	0	20	61	86
190	− 10	0	0	20	61	86
200	− 10	0	0	20	61	86



The standard fits of Crossed Roller Bearings are shown in Table 9.1. For large bearings, fit based on the actual measured dimensions of the bearings is recommended, and fit allowance should be chosen as small as possible in accordance with the tolerance class given in Table 9.1. When complex loads or shock loads are applied or when high rotational accuracy and rigidity of the bearing are required, it is recommended to use a slight interference fit adjusted to the actual measured dimensions for both inner and outer rings.

For the interference fit, the radial internal clearance after the fit decreases by approximately 70% to 90% of the interference amount. To avoid excessive preload due to fit, it is recommended to use a slight interference fit adjusted to the actual measured dimensions for both T1 and C1 clearances.

Table 9.1 Recommended fits for Crossed Roller Bearings under normal load

Radial internal clearance	Tolerance class			
	Inner ring rotating load		Outer ring rotating load	
	Shaft	Housing bore	Shaft	Housing bore
C1 clearance	h5	H7	g5	J7 ⁽¹⁾
C2 clearance	j5	H7	g5	J7 ⁽¹⁾

Note⁽¹⁾ It is recommended that a slight interference fit adjusted to the actual measured dimensions of the bearing is used.

Table 9.2 Recommended fits for Slim Type Crossed Roller Bearings with normal clearances

(Dimensional tolerances of shaft and housing bore)

unit: μm

d Nominal bore diameter mm	Inner ring rotating load				Outer ring rotating load			
	Shaft		Housing bore		Shaft		Housing bore	
	High	Low	High	Low	High	Low	High	Low
50	+15	0	+13	0	-15	-30	-13	-25
60	+15	0	+13	0	-15	-30	-13	-25
70	+15	0	+15	0	-15	-30	-15	-30
80	+20	0	+15	0	-20	-40	-15	-30
90	+20	0	+15	0	-20	-40	-15	-30
100	+20	0	+15	0	-20	-40	-15	-30
110	+20	0	+20	0	-20	-40	-20	-40
120	+25	0	+20	0	-25	-50	-20	-40
130	+25	0	+25	0	-25	-50	-25	-50
140	+25	0	+25	0	-25	-50	-25	-50
150	+25	0	+25	0	-25	-50	-25	-50
160	+25	0	+25	0	-25	-50	-25	-50
170	+25	0	+30	0	-25	-50	-30	-60
180	+30	0	+30	0	-30	-60	-30	-60
190	+30	0	+30	0	-30	-60	-30	-60
200	+30	0	+30	0	-30	-60	-30	-60

CRBH, CRBC, CRB, CRBS

T1

Allowable rotational speed

Allowable rotational speeds of Crossed Roller Bearings are affected by mounting and operating conditions. The values in general operation are shown in Table 10.

Table 10 $d_m n$ values⁽¹⁾ of Crossed Roller Bearings

Type		Lubricant	
		Grease	Oil
With cage or separator	Open type	75 000	150 000
	Sealed type	60 000	—
Full complement	Open type	50 000	75 000
	Sealed type	40 000	—


Note⁽¹⁾ · $d_m n$ value = $d_m \times n$
 where, d_m : Mean value of bearing bore and outside diameters, mm
 n : Number of rotations per minute, rpm

Lubrication

These bearings are generally lubricated with grease. Grease is supplied through the clearance between the inner ring and the outer ring.

In the sealed type bearings, ALVANIA EP GREASE 2 is prepacked as the lubricating grease.

For bearings without prepacked grease, supply grease or oil for use. Operating without grease or oil will increase the wear of the rolling contact surfaces and cause a short bearing life.

When using a special grease, carefully examine the grease properties and contents such as base oil viscosity and extreme pressure additives. In this case, please contact .

Oil Hole


For Crossed Roller Bearings, oil holes and oil grooves can be provided on bearing rings on request. When an oil hole is required on the outer ring, attach "-OH" before the clearance symbol in the identification number. When an oil hole and an oil groove are required on the outer ring, attach "-OG" at the same place in the identification number. For an oil hole on the inner ring, attach "/OH", and for an oil hole and an oil groove on the inner ring, attach "/OG", at the same place in the identification number. High Rigidity Type Crossed Roller Bearings have an oil groove and two oil holes on the outer ring as standard. Table 11 shows availability of oil holes for each bearing type.

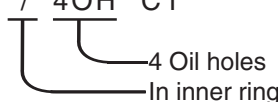
Table 11 Oil holes

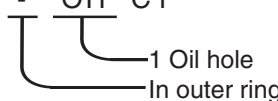
Bearing type ⁽¹⁾	Oil hole code			
	/nOH	/nOG	-nOH	-nOG
CRBH	○	○	—	— ⁽²⁾
CRB, CRBC	○	○	○	○
CRBS	○	—	○	—

Notes⁽¹⁾ Only representative types are shown in the table, but this table is applicable to all Crossed Roller Bearings.

⁽²⁾ CRBH is provided with an oil groove and two oil holes on the outer ring.

Remark n denotes the number of oil holes not exceeding 4. For one oil hole, number is not indicated. When preparing multiple oil holes, please contact .

Example 1 When the inner ring has 4 oil holes
 CRBC 10020 / 4OH C1


Example 2 When the outer ring has a single oil hole
 CRBC 10020 - OH C1


Operating Temperature Range

The operating temperature range for Crossed Roller Bearings is $-20^{\circ}\text{C} \sim +120^{\circ}\text{C}$. However, the maximum allowable temperature for types with separator and with seal is $+110^{\circ}\text{C}$, and $+100^{\circ}\text{C}$ when they are continuously operated.

Mounting

① When the rigidity of the mounting parts is insufficient, stress concentration will occur at the contact area between the rollers and the raceways, and the bearing performance will be deteriorated significantly. Therefore, carefully examine the rigidity of housing and the strength of fixing bolts when a large moment is applied.

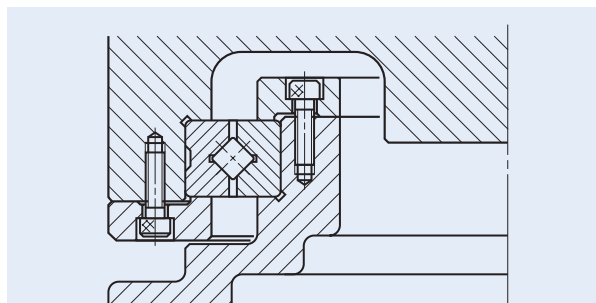



Fig. 3 Mounting example

② In some Crossed Roller Bearings, parts made of synthetic resin or special synthetic rubber are used. When the bearing must be used at temperatures higher than 110°C , please consult .

③ The inner and outer rings should be securely fixed in the axial direction by using fixing plates, etc. Recommended thickness of the fixing plate is $1/2$ or more of the bearing width B . The dimensions in the axial direction of the housing bore and the fixing plates should be determined to get a secure fixing while considering the dimension of bearing width which is given a minus tolerance.

④ The shoulder height diameters (d_a and D_a) that are related to mounting should satisfy the values shown in the dimension tables. When these dimensions are incorrect, deformations of inner and outer rings will occur and the bearing performance will be remarkably impaired.

⑤ The depth of the housing bore is recommended to be equal to or larger than the bearing width.

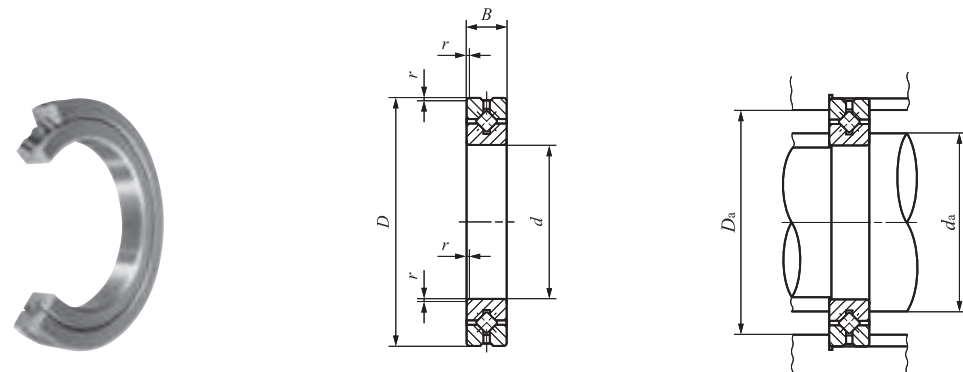
⑥ Separation prevention bolts for the outer ring are provided to prevent separation of two halves of the outer ring during transportation or mounting. When mounting, they should be loosened slightly.

⑦ High Rigidity Type Crossed Roller Bearings and Slim Type Crossed Roller Bearings have a plug for hole for inserting rollers. When mounting the bearings, locate the plug at a position that is not included in the maximum loading zone. The plug is a press-fitted pin that can be found on the side face of the outer ring.



CROSSED ROLLER BEARINGS

High Rigidity Type Crossed Roller Bearings **Open Type/With Separator**



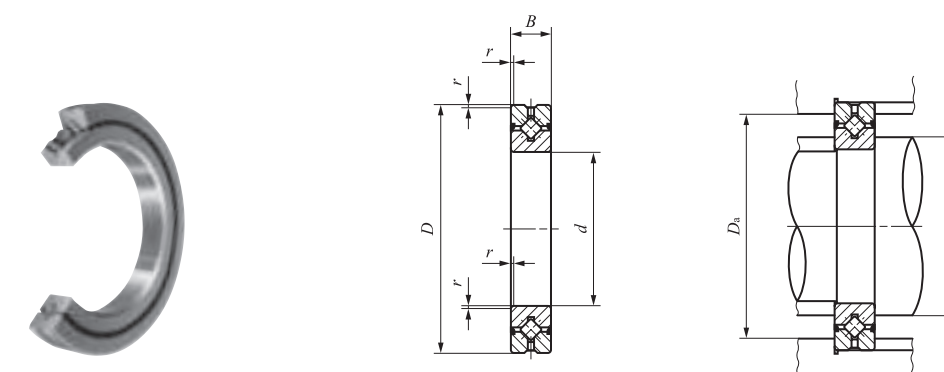
CRBH...A

Shaft dia. 20 – 250mm

Shaft dia. mm	Identification number	Mass (Ref.) kg	Boundary dimensions mm				Mounting dimensions mm		Basic dynamic load rating C N	Basic static load rating C ₀ N
			d	D	B	r _{min} ⁽¹⁾	d _a	D _a		
20	CRBH 208 A	0.04	20	36	8	0.3	24	31	2 910	2 430
25	CRBH 258 A	0.05	25	41	8	0.3	29	36	3 120	2 810
30	CRBH 3010 A	0.12	30	55	10	0.3	36.5	48.5	7 600	8 370
35	CRBH 3510 A	0.13	35	60	10	0.3	41.5	53.5	7 900	9 130
40	CRBH 4010 A	0.15	40	65	10	0.3	46.5	58.5	8 610	10 600
45	CRBH 4510 A	0.16	45	70	10	0.3	51.5	63.5	8 860	11 300
50	CRBH 5013 A	0.29	50	80	13	0.6	56	74	17 300	20 900
60	CRBH 6013 A	0.33	60	90	13	0.6	66	84	18 800	24 300
70	CRBH 7013 A	0.38	70	100	13	0.6	76	94	20 100	27 700
80	CRBH 8016 A	0.74	80	120	16	0.6	88	112	32 100	43 400
90	CRBH 9016 A	0.81	90	130	16	0.6	98	122	33 100	46 800
100	CRBH 10020 A	1.45	100	150	20	0.6	110	140	50 900	72 200
110	CRBH 11020 A	1.56	110	160	20	0.6	120	150	52 400	77 400
120	CRBH 12025 A	2.62	120	180	25	1	132	168	73 400	108 000
130	CRBH 13025 A	2.82	130	190	25	1	142	178	75 900	115 000
140	CRBH 14025 A	2.96	140	200	25	1	152	188	81 900	130 000
150	CRBH 15025 A	3.16	150	210	25	1	162	198	84 300	138 000
200	CRBH 20025 A	4.0	200	260	25	1	212	248	92 300	169 000
250	CRBH 25025 A	4.97	250	310	25	1.5	262	298	102 000	207 000

Note⁽¹⁾ Minimum allowable single value of chamfer dimension *r*
 Remarks1. The outer ring has an oil groove and two oil holes.
 2. Grease is not prepacked. Perform proper lubrication.

High Rigidity Type Crossed Roller Bearings **Sealed Type/With Separator**



CRBH...AUU

Shaft dia. 20 – 250mm

Shaft dia. mm	Identification number	Mass (Ref.) kg	Boundary dimensions mm				Mounting dimensions mm		Basic dynamic load rating C N	Basic static load rating C ₀ N
			d	D	B	r _{min} ⁽¹⁾	d _a	D _a		
20	CRBH 208 A UU	0.04	20	36	8	0.3	24	31	2 910	2 430
25	CRBH 258 A UU	0.05	25	41	8	0.3	29	36	3 120	2 810
30	CRBH 3010 A UU	0.12	30	55	10	0.3	36.5	48.5	7 600	8 370
35	CRBH 3510 A UU	0.13	35	60	10	0.3	41.5	53.5	7 900	9 130
40	CRBH 4010 A UU	0.15	40	65	10	0.3	46.5	58.5	8 610	10 600
45	CRBH 4510 A UU	0.16	45	70	10	0.3	51.5	63.5	8 860	11 300
50	CRBH 5013 A UU	0.29	50	80	13	0.6	56	74	17 300	20 900
60	CRBH 6013 A UU	0.33	60	90	13	0.6	66	84	18 800	24 300
70	CRBH 7013 A UU	0.38	70	100	13	0.6	76	94	20 100	27 700
80	CRBH 8016 A UU	0.74	80	120	16	0.6	88	112	32 100	43 400
90	CRBH 9016 A UU	0.81	90	130	16	0.6	98	122	33 100	46 800
100	CRBH 10020 A UU	1.45	100	150	20	0.6	110	140	50 900	72 200
110	CRBH 11020 A UU	1.56	110	160	20	0.6	120	150	52 400	77 400
120	CRBH 12025 A UU	2.62	120	180	25	1	132	168	73 400	108 000
130	CRBH 13025 A UU	2.82	130	190	25	1	142	178	75 900	115 000
140	CRBH 14025 A UU	2.96	140	200	25	1	152	188	81 900	130 000
150	CRBH 15025 A UU	3.16	150	210	25	1	162	198	84 300	138 000
200	CRBH 20025 A UU	4.0	200	260	25	1	212	248	92 300	169 000
250	CRBH 25025 A UU	4.97	250	310	25	1.5	262	298	102 000	207 000

Note⁽¹⁾ Minimum allowable single value of chamfer dimension *r*
 Remarks1. The outer ring has an oil groove and two oil holes.
 2. Provided with prepacked grease.

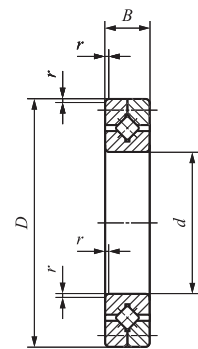
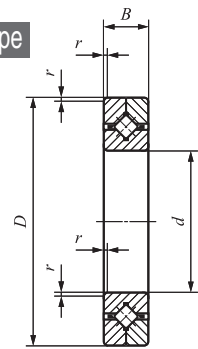
CRBH, CRBC, CRB, CRBS





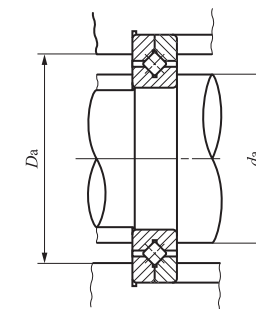
CROSSED ROLLER BEARINGS

Standard Type Crossed Roller Bearings **Open Type/With Cage**
Open Type/Full Complement Type



CRBC

CRB



Shaft dia. 30 – 250mm

Shaft dia. mm	Identification number		Mass (Ref.) kg	Boundary dimensions mm				Mounting dimensions mm		CRBC	
	With Cage	Full complement		d	D	B	r _{min} ⁽¹⁾	d _a	D _a	Basic dynamic load rating C N	Basic static load rating C ₀ N
30	CRBC 3010	CRB 3010	0.12	30	55	10	0.3	34	44	3 830	4 130
40	CRBC 4010	CRB 4010	0.15	40	65	10	0.3	44	54	4 280	5 140
50	CRBC 5013	CRB 5013	0.29	50	80	13	0.6	55	71	10 700	12 600
60	CRBC 6013	CRB 6013	0.33	60	90	13	0.6	64	81	11 600	14 600
70	CRBC 7013	CRB 7013	0.38	70	100	13	0.6	75	91	12 300	16 700
80	CRBC 8016	CRB 8016	0.74	80	120	16	0.6	86	107	18 200	25 500
90	CRBC 9016	CRB 9016	0.81	90	130	16	1	98	118	19 400	28 600
100	CRBC 10020	CRB 10020	1.45	100	150	20	1	108	134	31 500	45 100
110	CRBC 11020	CRB 11020	1.56	110	160	20	1	118	144	33 500	50 700
120	CRBC 12025	CRB 12025	2.62	120	180	25	1.5	132	164	47 700	70 500
130	CRBC 13025	CRB 13025	2.82	130	190	25	1.5	140	172	49 200	74 800
140	CRBC 14025	CRB 14025	2.96	140	200	25	1.5	151	183	50 700	79 200
150	CRBC 15025	CRB 15025	3.16	150	210	25	1.5	160	192	53 800	87 700
	CRBC 15030	CRB 15030	5.3	150	230	30	1.5	166	202	69 200	108 000
200	CRBC 20025	CRB 20025	4.0	200	260	25	2	208	239	60 200	110 000
	CRBC 20030	CRB 20030	6.7	200	280	30	2	218	262	108 000	178 000
	CRBC 20035	CRB 20035	9.58	200	295	35	2	221	274	137 000	215 000
250	CRBC 25025	CRB 25025	4.97	250	310	25	2.5	259	290	67 200	136 000
	CRBC 25030	CRB 25030	8.1	250	330	30	2.5	265	310	116 000	208 000
	CRBC 25040	CRB 25040	14.8	250	355	40	2.5	271	330	179 000	299 000

Note⁽¹⁾ Minimum allowable single value of chamfer dimension r
 Remarks1. No oil hole is provided.
 2. Grease is not prepacked. Perform proper lubrication.

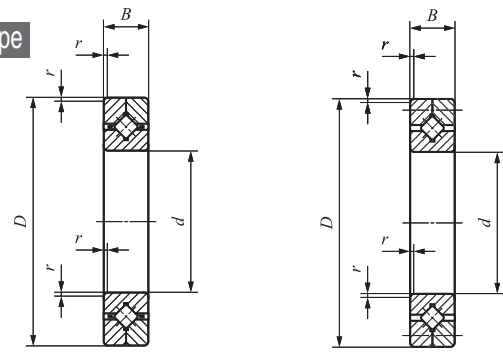
CRB	
Basic dynamic load rating C N	Basic static load rating C ₀ N
5 290	6 350
5 980	8 040
14 200	18 400
15 400	21 500
17 000	25 500
24 300	37 500
25 900	42 100
39 400	61 100
41 200	66 700
59 900	95 400
61 000	99 800
64 100	108 000
65 000	113 000
85 900	144 000
75 300	148 000
133 000	234 000
168 000	282 000
83 900	183 000
146 000	283 000
215 000	382 000



CROSSED ROLLER BEARINGS

Standard Type Crossed Roller Bearings **Open Type/With Cage**

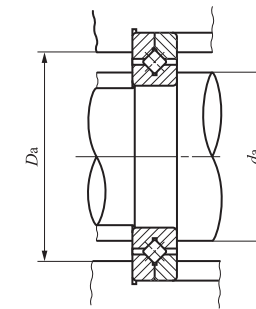
Open Type/Full Complement Type



CRBC

CRB

Shaft dia. 300 – 800mm



Shaft dia. mm	Identification number		Mass (Ref.) kg	Boundary dimensions mm				Mounting dimensions mm		CRBC	
	With Cage	Full complement		d	D	B	$r_{min}^{(1)}$	d_a	D_a	Basic dynamic load rating C N	Basic static load rating C_0 N
300	CRBC 30025	CRB 30025	5.88	300	360	25	2.5	310	341	73 800	162 000
	CRBC 30035	CRB 30035	13.4	300	395	35	2.5	318	372	163 000	299 000
	CRBC 30040	CRB 30040	17.2	300	405	40	2.5	321	381	194 000	351 000
400	CRBC 40035	CRB 40035	14.5	400	480	35	2.5	414	457	133 000	300 000
	CRBC 40040	CRB 40040	23.5	400	510	40	2.5	423	483	222 000	455 000
	CRBC 40070	CRB 40070	72.4	400	580	70	2.5	430	532	470 000	811 000
500	CRBC 50040	CRB 50040	26.0	500	600	40	2.5	517	573	212 000	497 000
	CRBC 50050	CRB 50050	41.7	500	625	50	2.5	531	592	247 000	561 000
	CRBC 50070	CRB 50070	86.1	500	680	70	2.5	530	633	536 000	1 020 000
600	CRBC 60040	CRB 60040	30.6	600	700	40	3	621	676	231 000	581 000
	CRBC 60070	CRB 60070	102	600	780	70	3	630	734	591 000	1 230 000
	CRBC 600120	CRB 600120	274	600	870	120	3	643	817	1 250 000	2 210 000
700	CRBC 70045	CRB 70045	46.5	700	815	45	3	730	785	250 000	681 000
	CRBC 70070	CRB 70070	115	700	880	70	3	731	834	630 000	1 390 000
	CRBC 700150	CRB 700150	478	700	1 020	150	3	751	953	1 660 000	3 010 000
800	CRBC 80070	CRB 80070	109	800	950	70	4	831	907	417 000	1 090 000
	CRBC 800100	CRB 800100	247	800	1 030	100	4	840	972	936 000	2 040 000

Note⁽¹⁾ Minimum allowable single value of chamfer dimension r

- Remarks1. No oil hole is provided.
2. Grease is not prepacked. Perform proper lubrication.

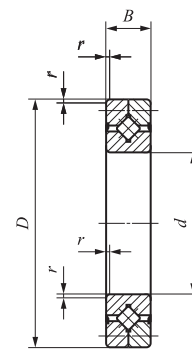
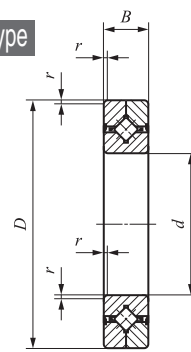
CRB	
Basic dynamic load rating C N	Basic static load rating C_0 N
91 900	217 000
205 000	408 000
235 000	451 000
165 000	400 000
270 000	590 000
576 000	1 060 000
259 000	648 000
306 000	747 000
653 000	1 330 000
287 000	774 000
700 000	1 540 000
1 490 000	2 800 000
313 000	917 000
766 000	1 810 000
1 980 000	3 820 000
513 000	1 440 000
1 140 000	2 640 000



CROSSED ROLLER BEARINGS

Standard Type Crossed Roller Bearings **Sealed Type/With Cage**

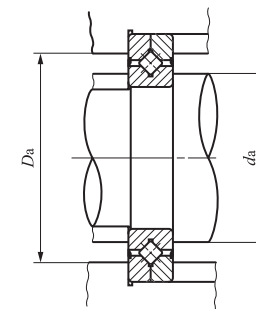
Sealed Type/Full Complement Type



CRBC...UU

CRB...UU

Shaft dia. 30 – 300mm



Shaft dia. mm	Identification number		Mass (Ref.) kg	Boundary dimensions mm				Mounting dimensions mm		CRBC...UU	
	With Cage	Full complement		d	D	B	r _{min} ⁽¹⁾	d _a	D _a	Basic dynamic load rating C N	Basic static load rating C ₀ N
30	CRBC 3010 UU	CRB 3010 UU	0.12	30	55	10	0.3	34	44	3 830	4 130
40	CRBC 4010 UU	CRB 4010 UU	0.15	40	65	10	0.3	44	54	4 280	5 140
50	CRBC 5013 UU	CRB 5013 UU	0.29	50	80	13	0.6	55	71	10 700	12 600
60	CRBC 6013 UU	CRB 6013 UU	0.33	60	90	13	0.6	64	81	11 600	14 600
70	CRBC 7013 UU	CRB 7013 UU	0.38	70	100	13	0.6	75	91	12 300	16 700
80	CRBC 8016 UU	CRB 8016 UU	0.74	80	120	16	0.6	86	107	18 200	25 500
90	CRBC 9016 UU	CRB 9016 UU	0.81	90	130	16	1	98	118	19 400	28 600
100	CRBC 10020 UU	CRB 10020 UU	1.45	100	150	20	1	108	134	31 500	45 100
110	CRBC 11020 UU	CRB 11020 UU	1.56	110	160	20	1	118	144	33 500	50 700
120	CRBC 12025 UU	CRB 12025 UU	2.62	120	180	25	1.5	132	164	47 700	70 500
130	CRBC 13025 UU	CRB 13025 UU	2.82	130	190	25	1.5	140	172	49 200	74 800
140	CRBC 14025 UU	CRB 14025 UU	2.96	140	200	25	1.5	151	183	50 700	79 200
150	CRBC 15025 UU	CRB 15025 UU	3.16	150	210	25	1.5	160	192	53 800	87 700
	CRBC 15030 UU	CRB 15030 UU	5.3	150	230	30	1.5	166	202	69 200	108 000
200	CRBC 20025 UU	CRB 20025 UU	4.0	200	260	25	2	208	239	60 200	110 000
250	CRBC 25025 UU	CRB 25025 UU	4.97	250	310	25	2.5	259	290	67 200	136 000
300	CRBC 30025 UU	CRB 30025 UU	5.88	300	360	25	2.5	310	341	73 800	162 000

Note⁽¹⁾ Minimum allowable single value of chamfer dimension r

- Remarks1. No oil hole is provided.
2. Provided with prepacked grease.

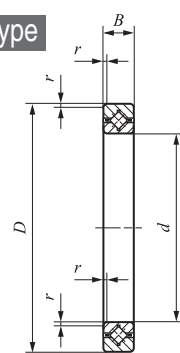
CRB...UU	
Basic dynamic load rating C N	Basic static load rating C ₀ N
5 290	6 350
5 980	8 040
14 200	18 400
15 400	21 500
17 000	25 500
24 300	37 500
25 900	42 100
39 400	61 100
41 200	66 700
59 900	95 400
61 000	99 800
64 100	108 000
65 000	113 000
85 900	144 000
75 300	148 000
83 900	183 000
91 900	217 000



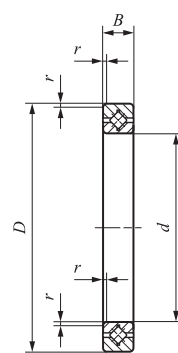
CROSSED ROLLER BEARINGS

Slim Type Crossed Roller Bearings **Open Type/With Cage**

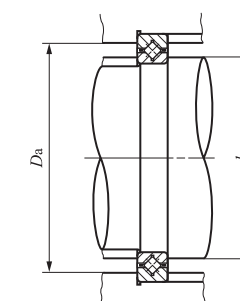
Open Type/Full Complement Type



CRBS



CRBS...V



Shaft dia. 50 – 200mm

Shaft dia. mm	Identification number		Mass (Ref.) g	Boundary dimensions mm				Mounting dimensions mm		CRBS	
	With Cage	Full complement		<i>d</i>	<i>D</i>	<i>B</i>	<i>r</i> ⁽¹⁾ <i>r</i> _{min}	<i>d</i> _a	<i>D</i> _a	Basic dynamic load rating <i>C</i> N	Basic static load rating <i>C</i> ₀ N
50	CRBS 508	CRBS 508 V	84	50	66	8	0.4	54	61	4 900	6 170
60	CRBS 608	CRBS 608 V	94	60	76	8	0.4	64	71	5 350	7 310
70	CRBS 708	CRBS 708 V	108	70	86	8	0.4	74	81	5 740	8 440
80	CRBS 808	CRBS 808 V	122	80	96	8	0.4	84	91	6 130	9 590
90	CRBS 908	CRBS 908 V	135	90	106	8	0.4	94	101	6 490	10 700
100	CRBS 1008	CRBS 1008 V	152	100	116	8	0.4	104	111	6 850	11 900
110	CRBS 1108	CRBS 1108 V	163	110	126	8	0.4	114	121	7 160	13 000
120	CRBS 1208	CRBS 1208 V	184	120	136	8	0.4	124	131	7 530	14 100
130	CRBS 1308	CRBS 1308 V	199	130	146	8	0.4	134	141	7 860	15 300
140	CRBS 1408	CRBS 1408 V	205	140	156	8	0.4	144	151	8 060	16 400
150	CRBS 1508	CRBS 1508 V	220	150	166	8	0.4	154	161	8 350	17 500
160	CRBS 16013	CRBS 16013 V	620	160	186	13	0.6	166	179	20 300	39 900
170	CRBS 17013	CRBS 17013 V	675	170	196	13	0.6	176	189	20 900	42 200
180	CRBS 18013	CRBS 18013 V	710	180	206	13	0.6	186	199	21 500	44 600
190	CRBS 19013	CRBS 19013 V	740	190	216	13	0.6	196	209	22 100	46 900
200	CRBS 20013	CRBS 20013 V	780	200	226	13	0.6	206	219	22 500	49 300

Note⁽¹⁾ Minimum allowable single value of chamfer dimension *r*

- Remarks1. No oil hole is provided.
2. Grease is not prepacked. Perform proper lubrication.

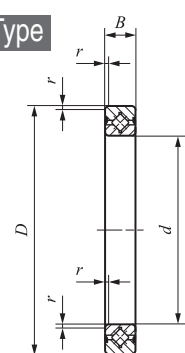
CRBS...V	
Basic dynamic load rating <i>C</i> N	Basic static load rating <i>C</i> ₀ N
6 930	9 800
7 600	11 700
8 190	13 600
8 790	15 500
9 310	17 400
9 850	19 300
10 300	21 200
10 900	23 000
11 200	24 600
11 700	26 800
12 100	28 700
26 900	58 200
27 800	61 600
28 600	65 200
29 300	68 600
30 000	72 200



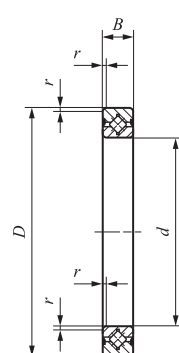
CROSSED ROLLER BEARINGS

Slim Type Crossed Roller Bearings **Sealed Type/With Separator**

Sealed Type/Full Complement Type

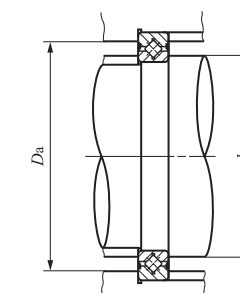


CRBS...AUU



CRBS...VUU

Shaft dia. 50 – 200mm



Shaft dia. mm	Identification number		Mass (Ref.) g	Boundary dimensions mm				Mounting dimensions mm		CRBS...A UU	
	With separator	Full complement		d	D	B	r ⁽¹⁾ _{min}	d _a	D _a	Basic dynamic load rating C N	Basic static load rating C ₀ N
50	CRBS 508 A UU	CRBS 508 V UU	84	50	66	8	0.4	54	61	4 680	5 810
60	CRBS 608 A UU	CRBS 608 V UU	94	60	76	8	0.4	64	71	5 350	7 310
70	CRBS 708 A UU	CRBS 708 V UU	108	70	86	8	0.4	74	81	5 740	8 440
80	CRBS 808 A UU	CRBS 808 V UU	122	80	96	8	0.4	84	91	6 130	9 590
90	CRBS 908 A UU	CRBS 908 V UU	135	90	106	8	0.4	94	101	6 490	10 700
100	CRBS 1008 A UU	CRBS 1008 V UU	152	100	116	8	0.4	104	111	6 530	11 100
110	CRBS 1108 A UU	CRBS 1108 V UU	163	110	126	8	0.4	114	121	6 850	12 300
120	CRBS 1208 A UU	CRBS 1208 V UU	184	120	136	8	0.4	124	131	7 070	13 000
130	CRBS 1308 A UU	CRBS 1308 V UU	199	130	146	8	0.4	134	141	7 270	13 800
140	CRBS 1408 A UU	CRBS 1408 V UU	205	140	156	8	0.4	144	151	7 510	14 900
150	CRBS 1508 A UU	CRBS 1508 V UU	220	150	166	8	0.4	154	161	7 810	16 000
160	CRBS 16013 A UU	CRBS 16013 V UU	620	160	186	13	0.6	166	179	19 400	37 700
170	CRBS 17013 A UU	CRBS 17013 V UU	675	170	196	13	0.6	176	189	20 000	39 900
180	CRBS 18013 A UU	CRBS 18013 V UU	710	180	206	13	0.6	186	199	21 900	45 700
190	CRBS 19013 A UU	CRBS 19013 V UU	740	190	216	13	0.6	196	209	22 900	49 200
200	CRBS 20013 A UU	CRBS 20013 V UU	780	200	226	13	0.6	206	219	23 300	51 600

Note⁽¹⁾ Minimum allowable single value of chamfer dimension r

- Remarks1. No oil hole is provided.
2. Provided with prepacked grease.

CRBS...V UU	
Basic dynamic load rating C N	Basic static load rating C ₀ N
6 930	9 800
7 600	11 700
8 190	13 600
8 790	15 500
9 310	17 400
9 850	19 300
10 300	21 200
10 900	23 000
11 200	24 600
11 700	26 800
12 100	28 700
26 900	58 200
27 800	61 600
28 600	65 200
29 300	68 600
30 000	72 200



F-126

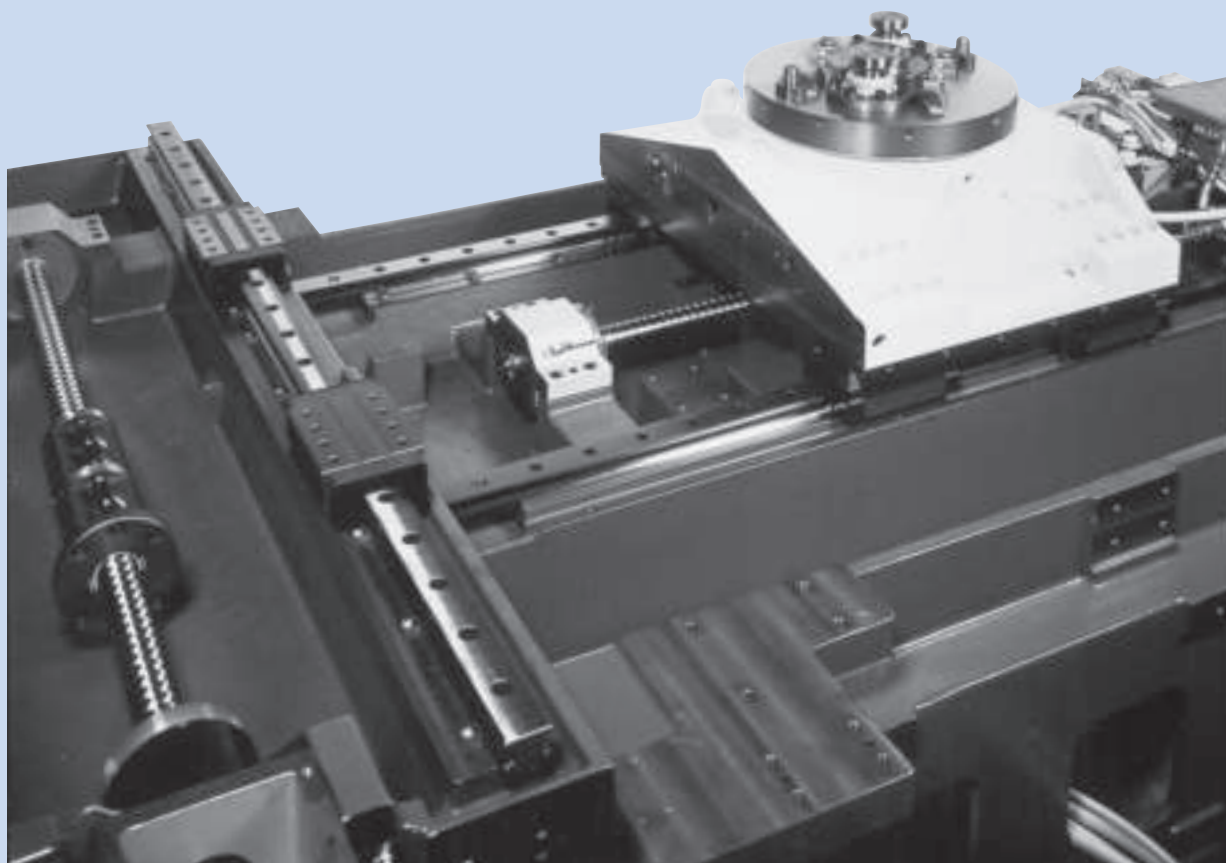
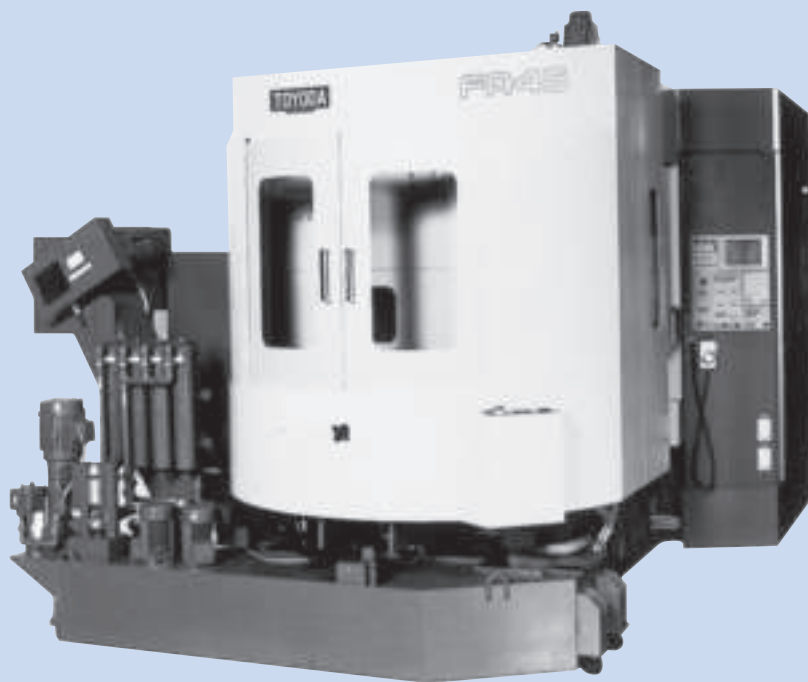
Application Examples and Miscellaneous Tables

Application Examples	G-2
Miscellaneous Tables	G-30
CAD Data	G-44

Machine Tools

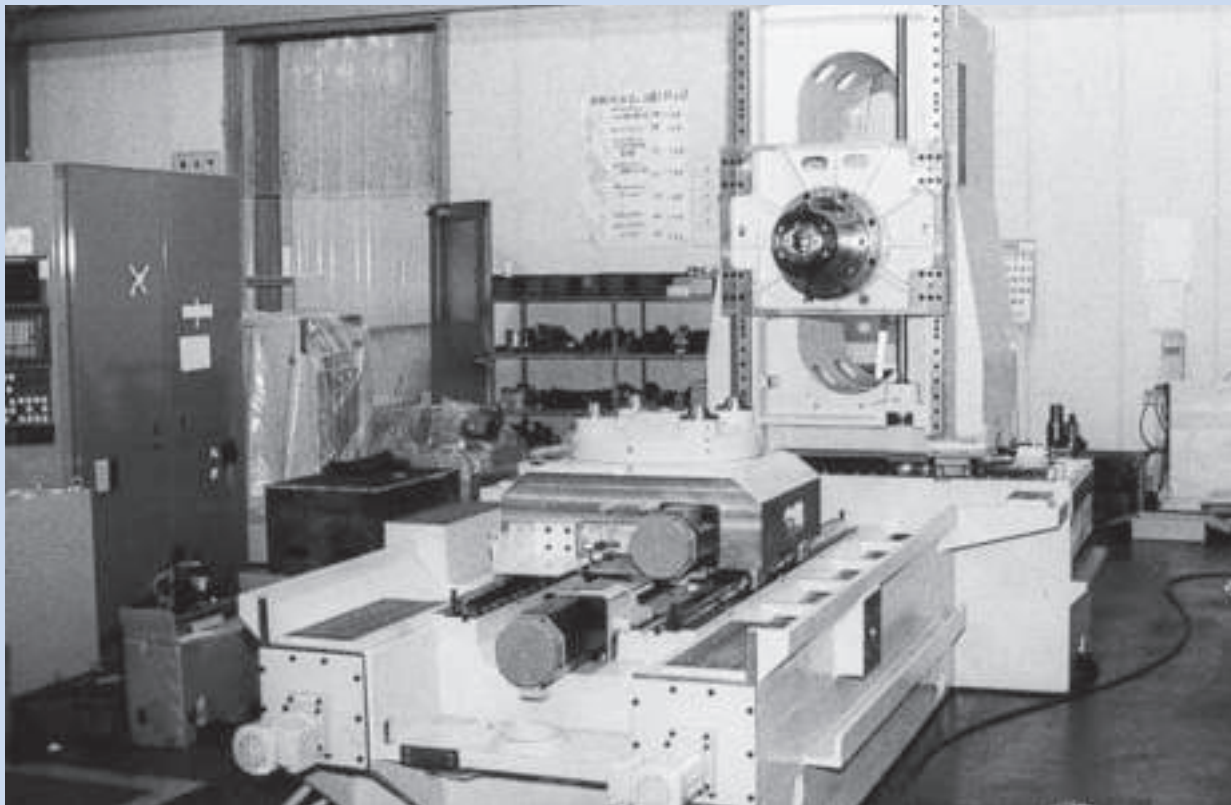
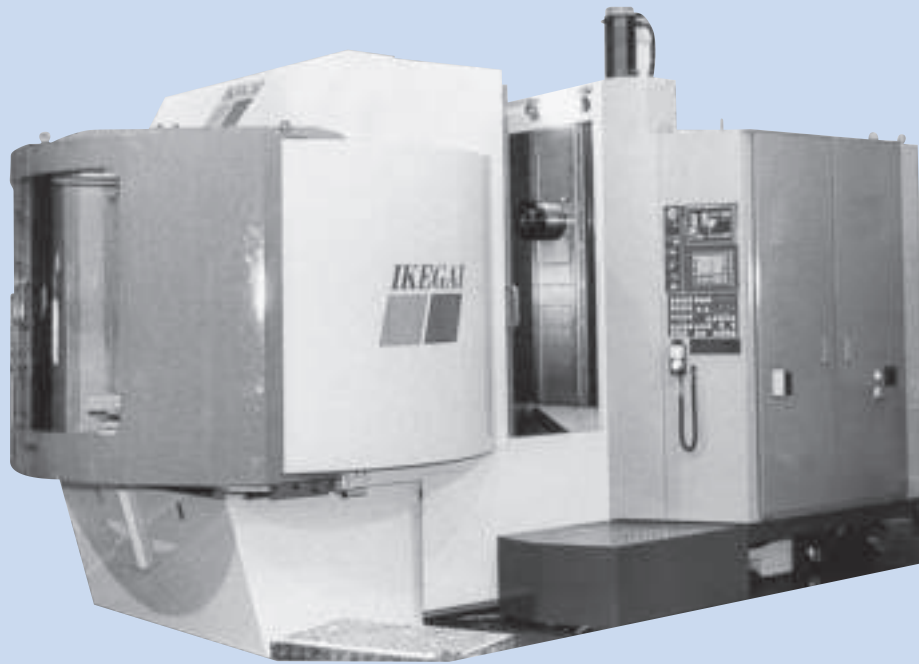
Horizontal machining center

LRWX



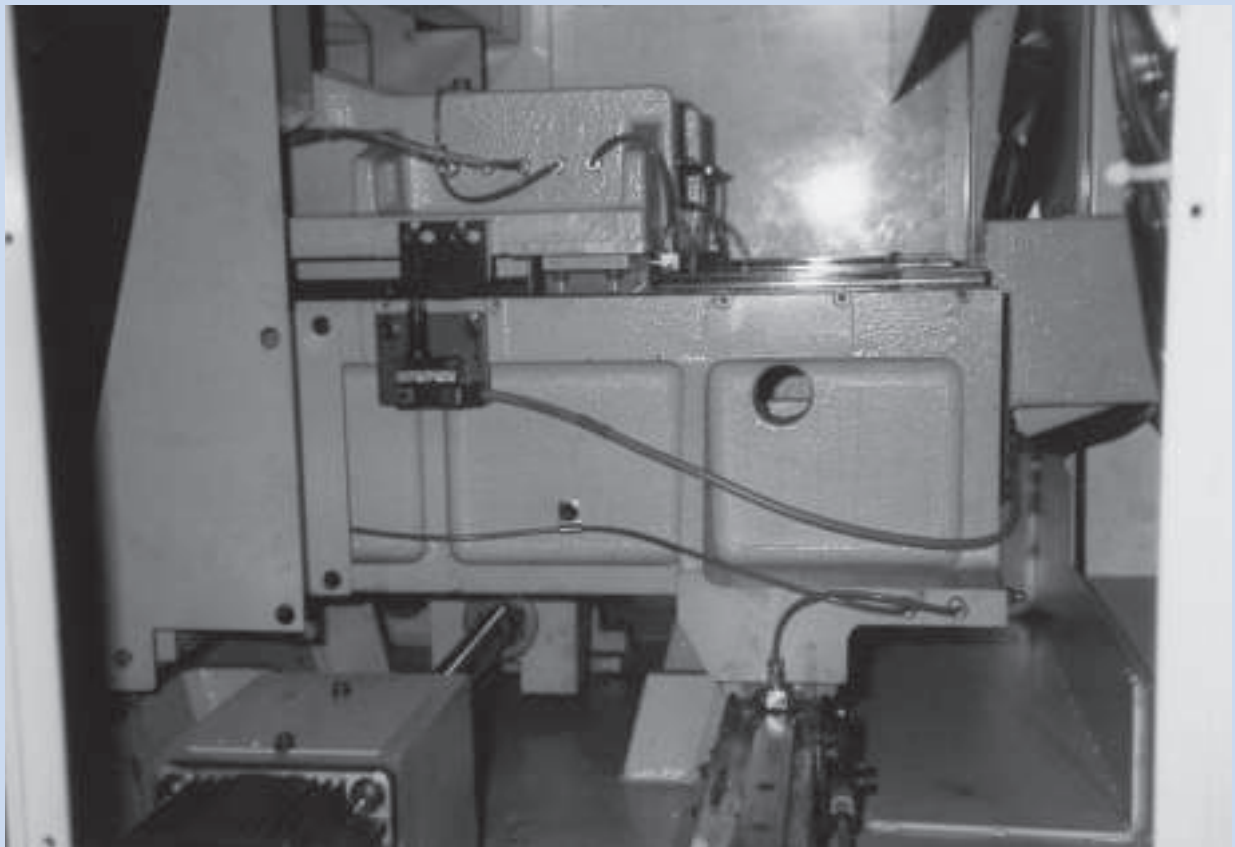
Horizontal machining center

LRX • LRXDG



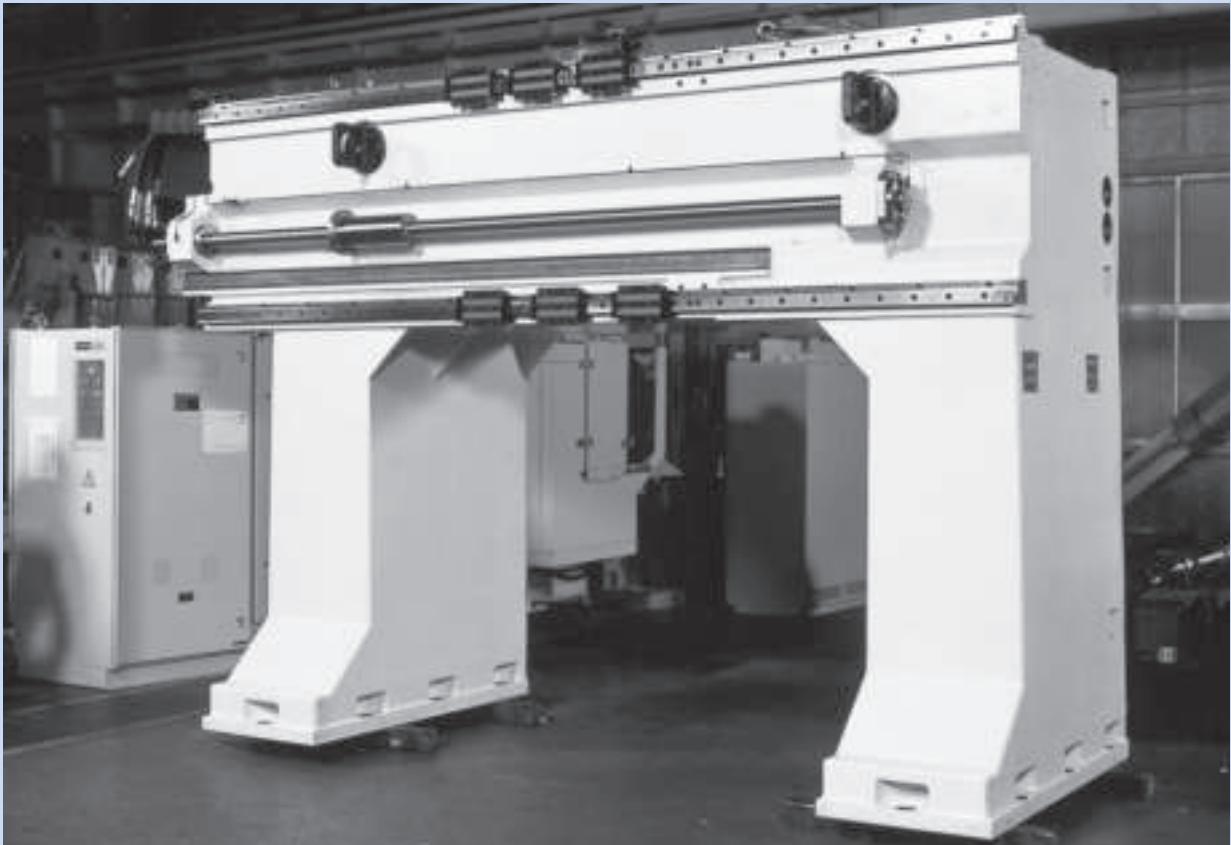
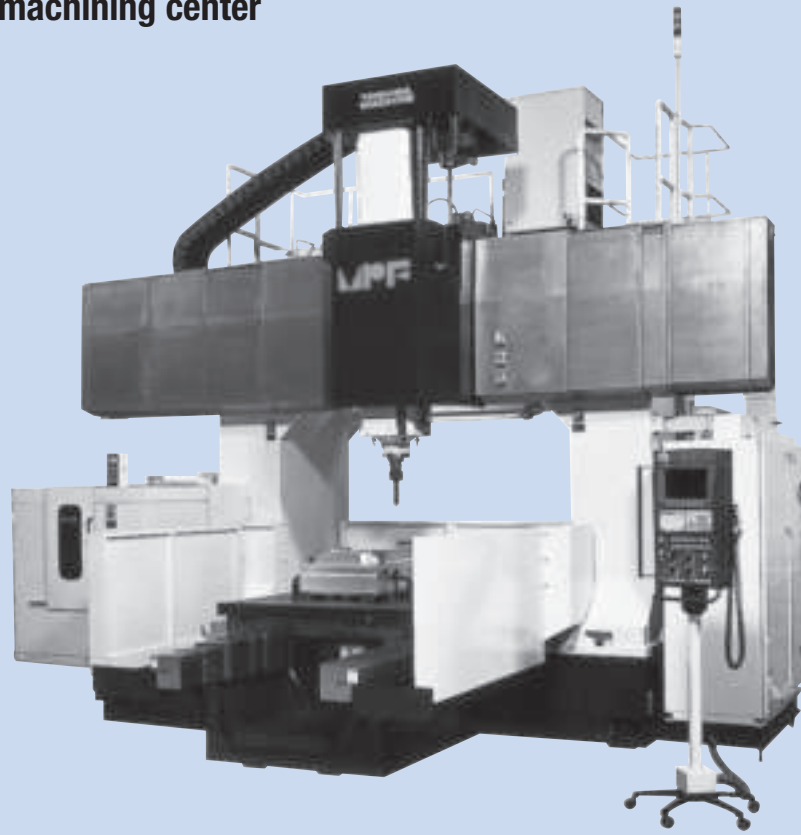
Vertical machining center

LWEC • LWE



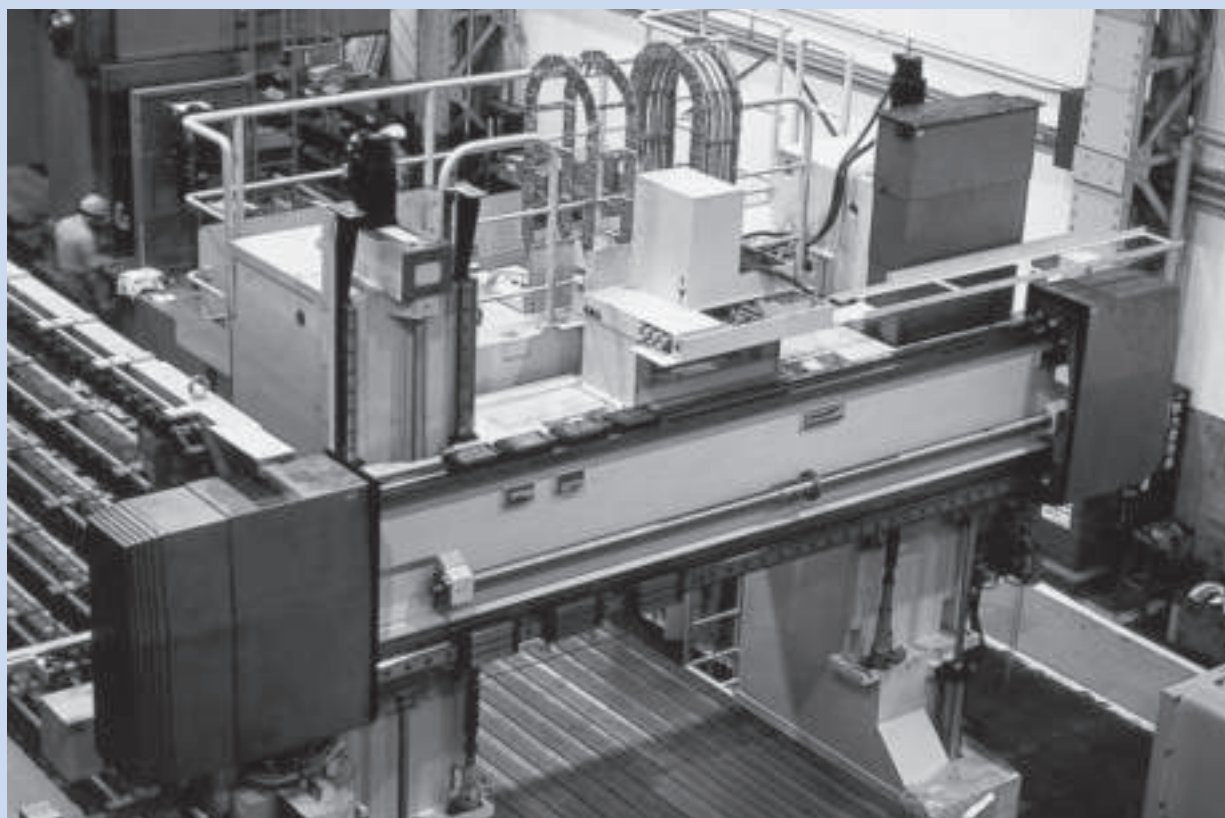
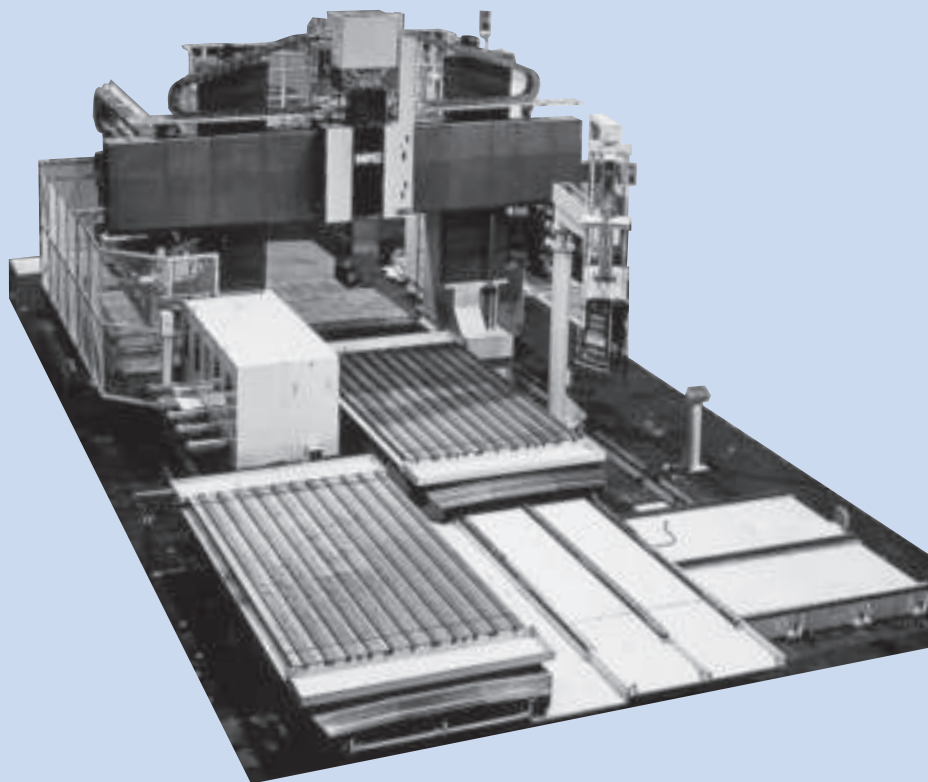
Gantry type machining center

LRXG



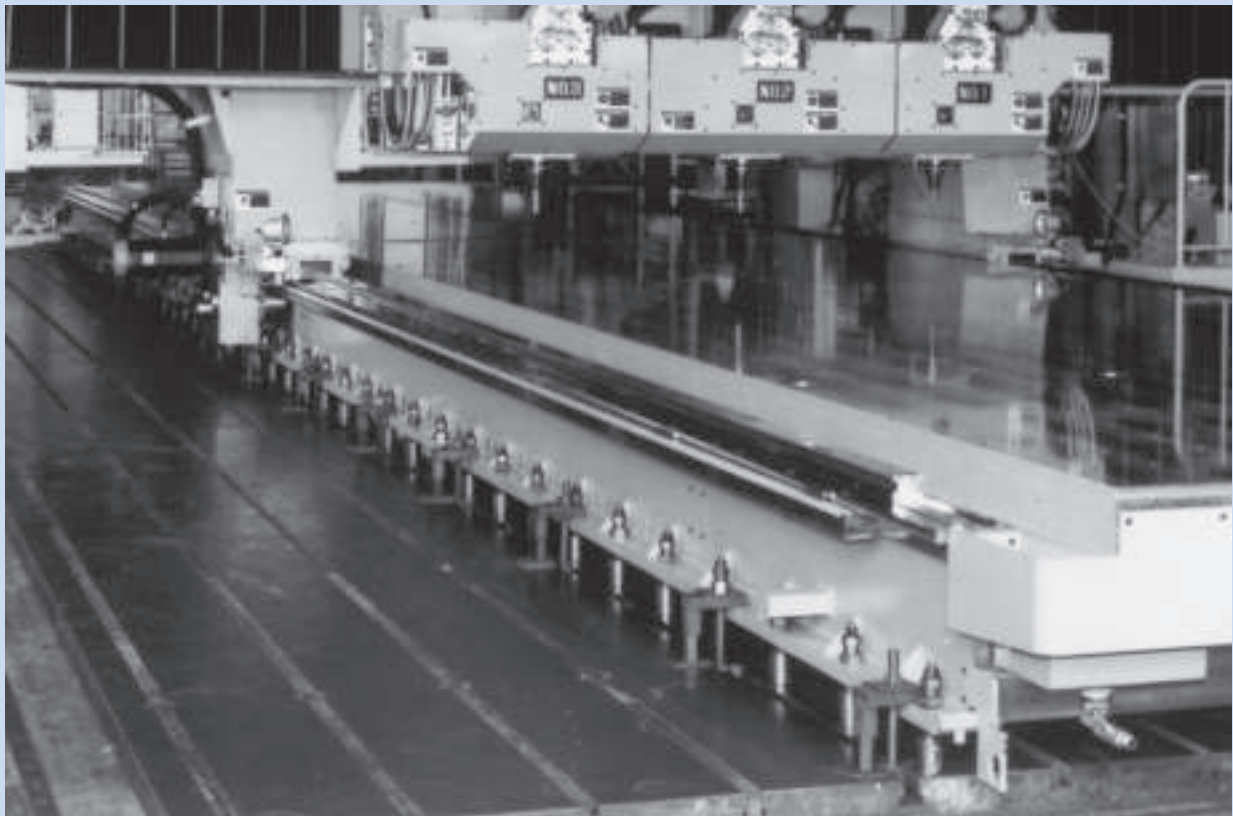
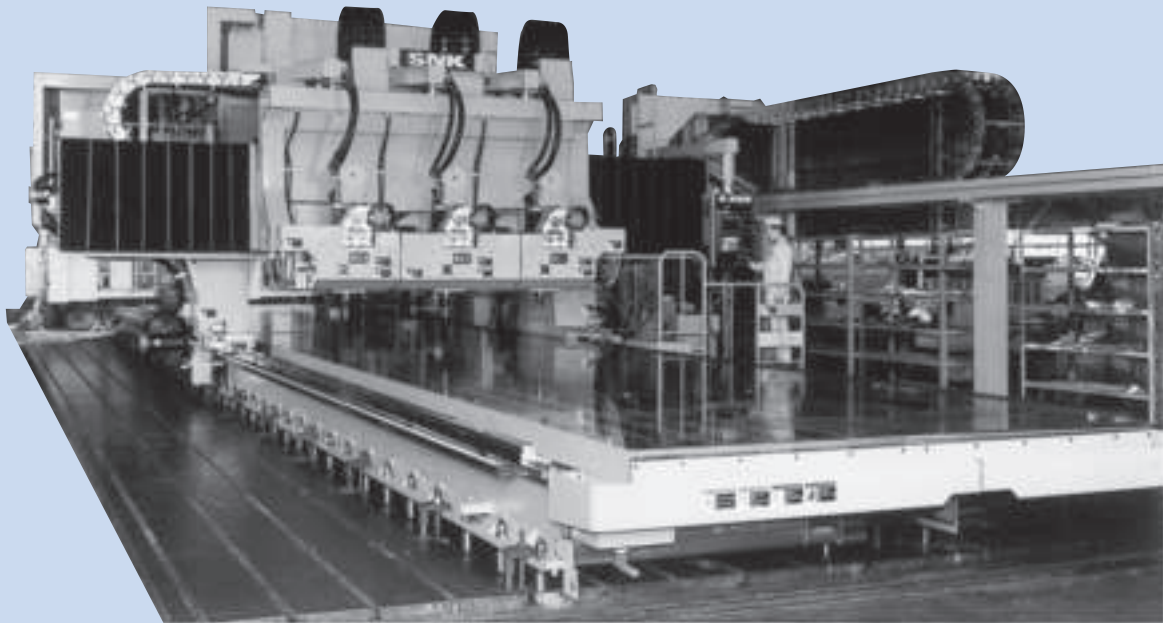
Gantry type machining center

LRWX • LWHG



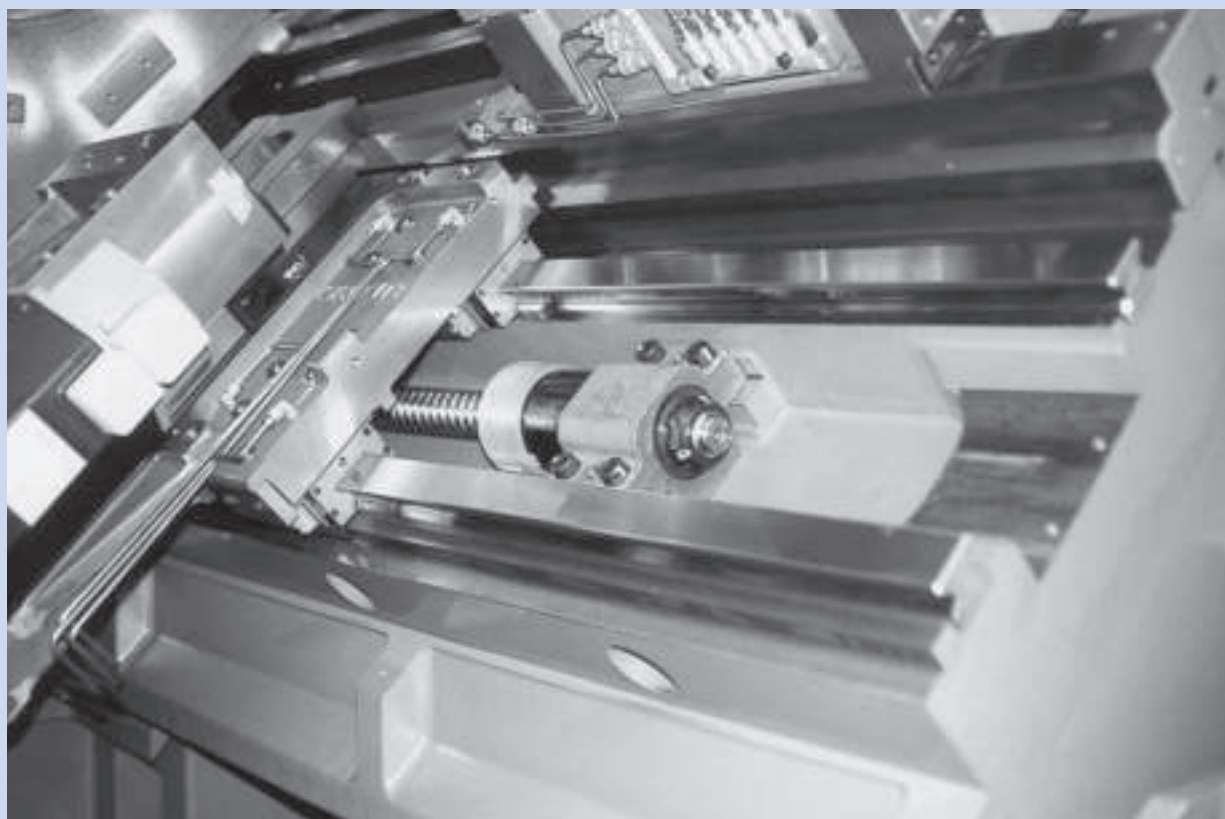
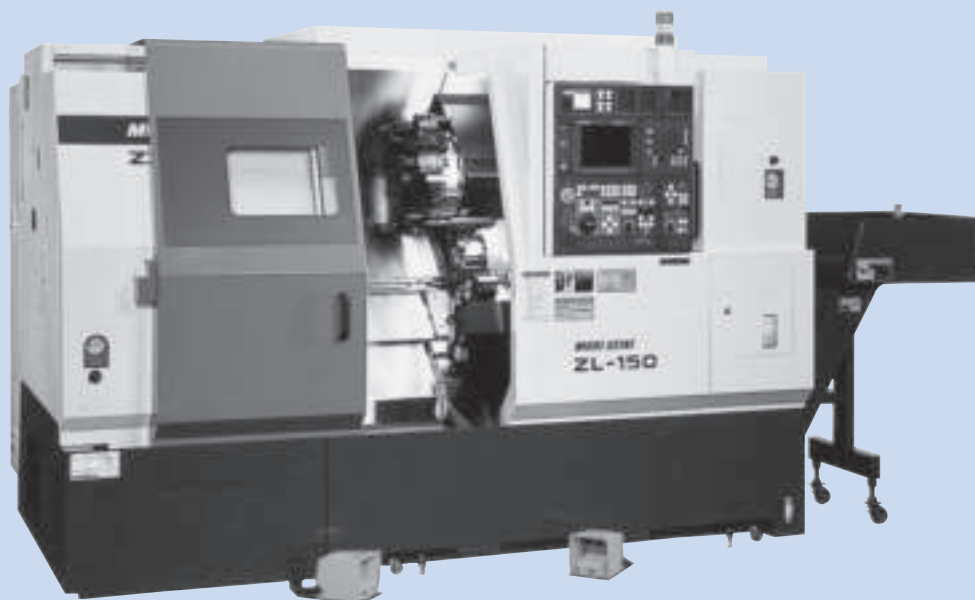
Three-spindle five-axis profiler

LRWX



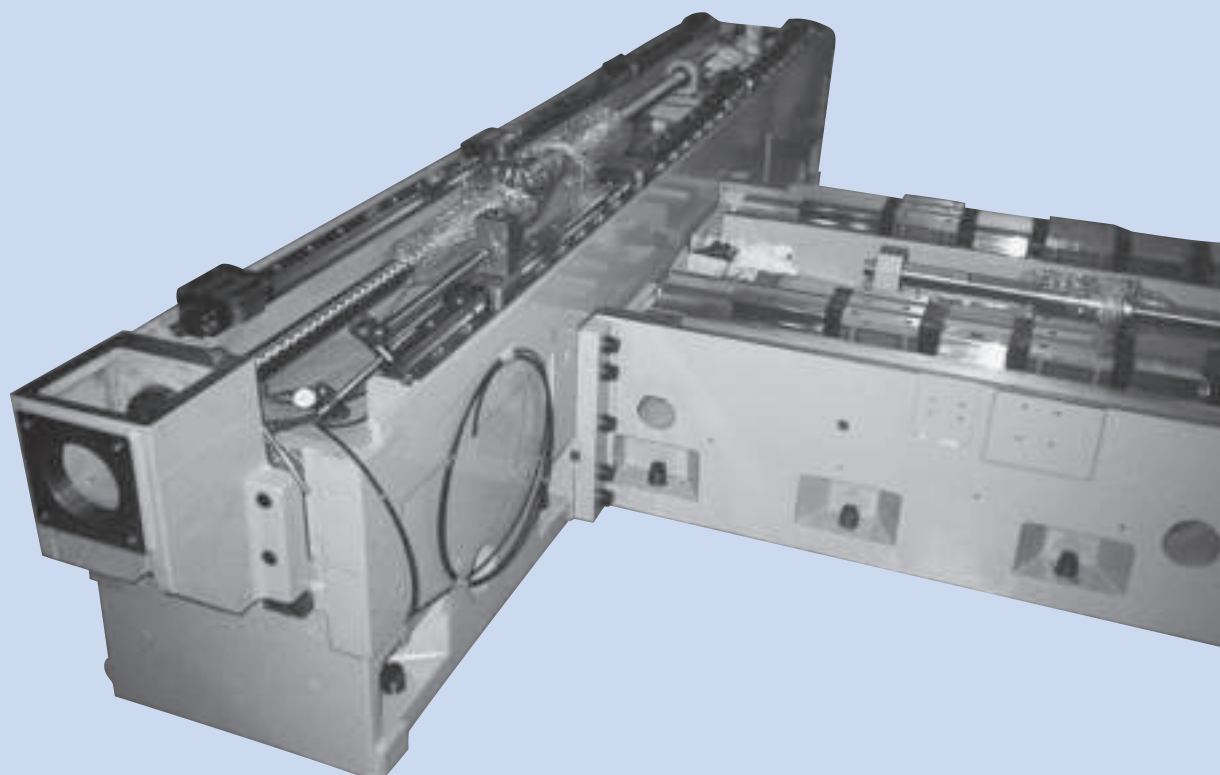
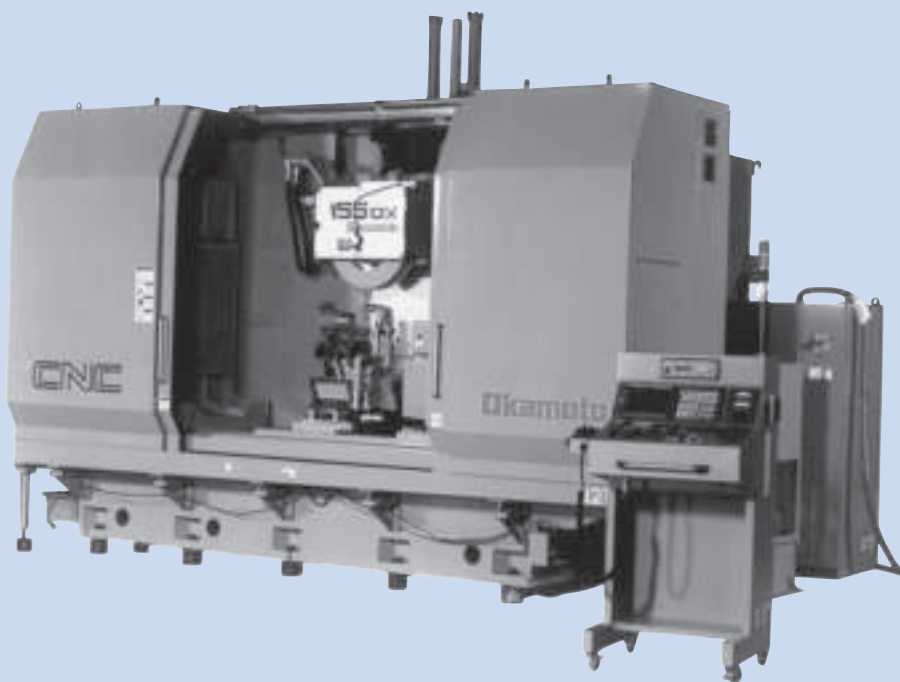
Four-axis control CNC lathe

LRX



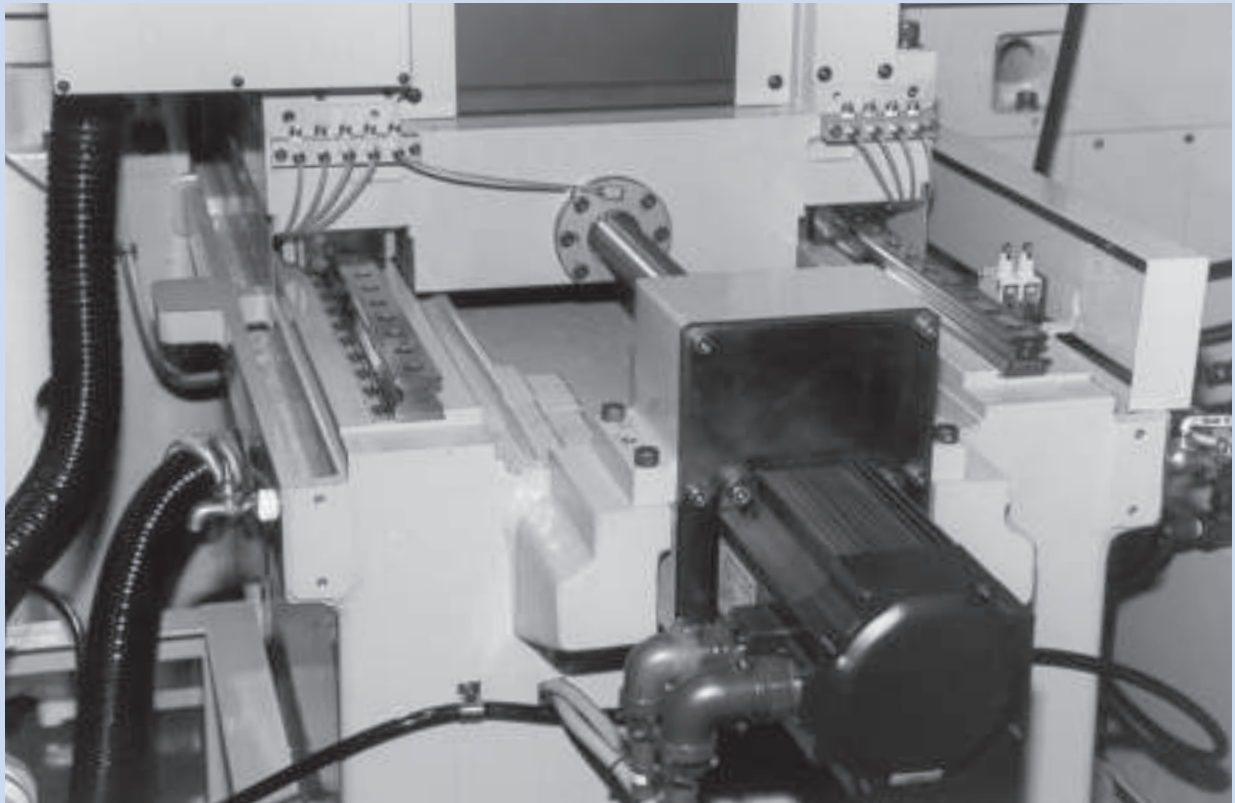
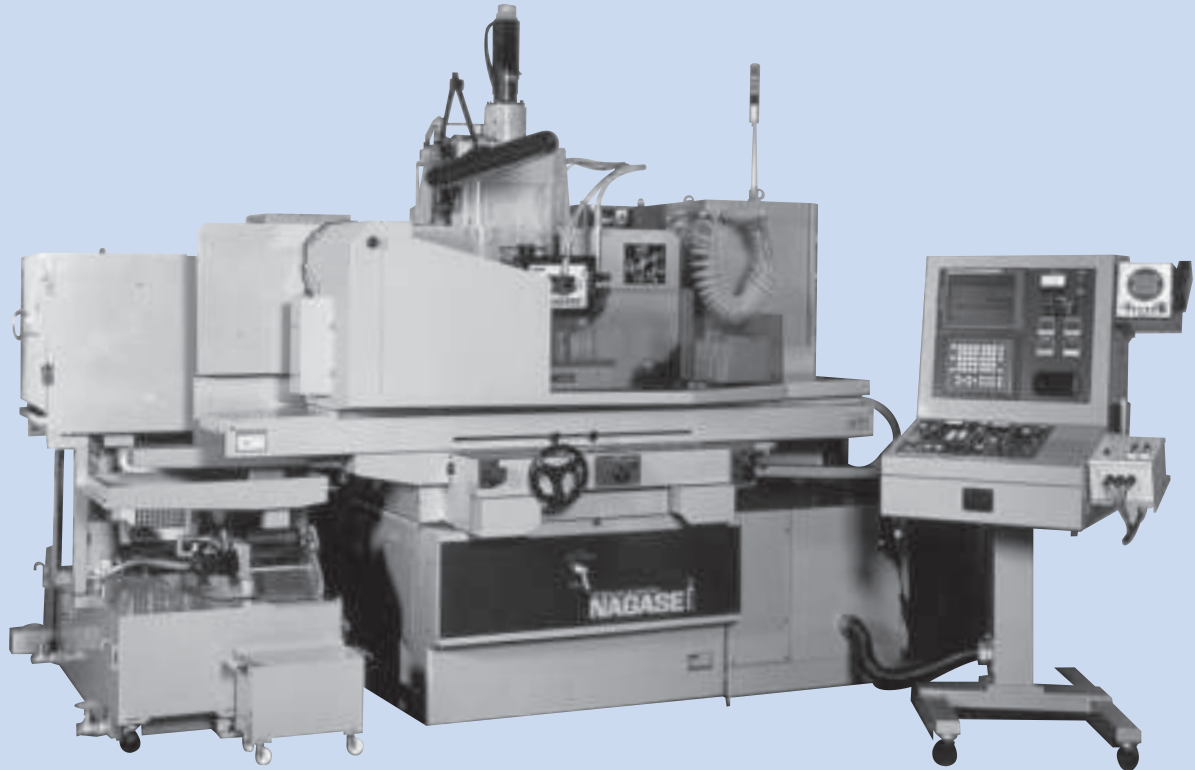
Surface grinding machine

LRX



Surface grinding machine

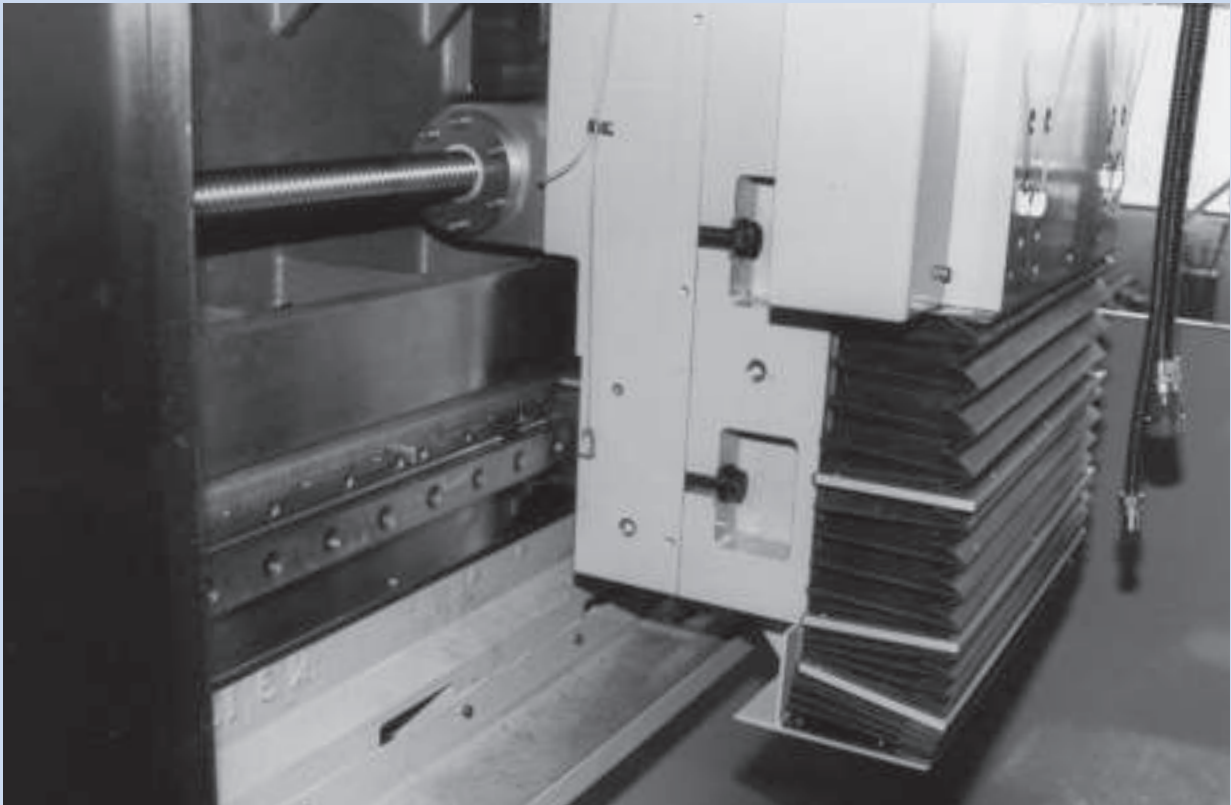
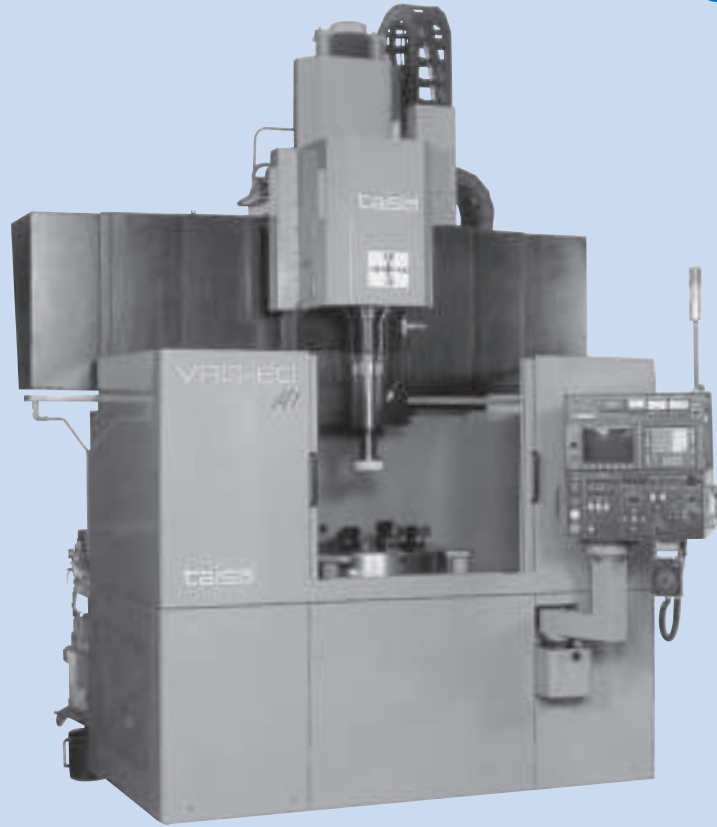
LRWX



G-10

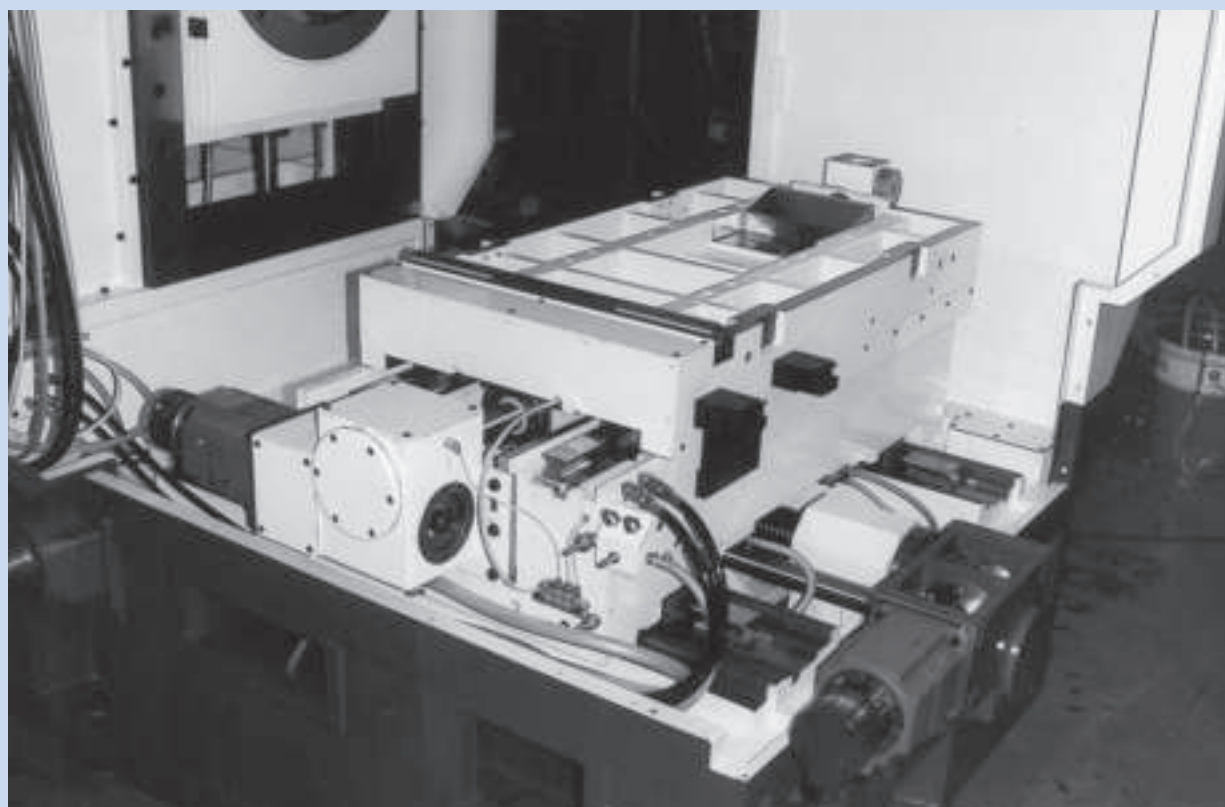
Vertical internal grinding machine

LRWX • LRWH



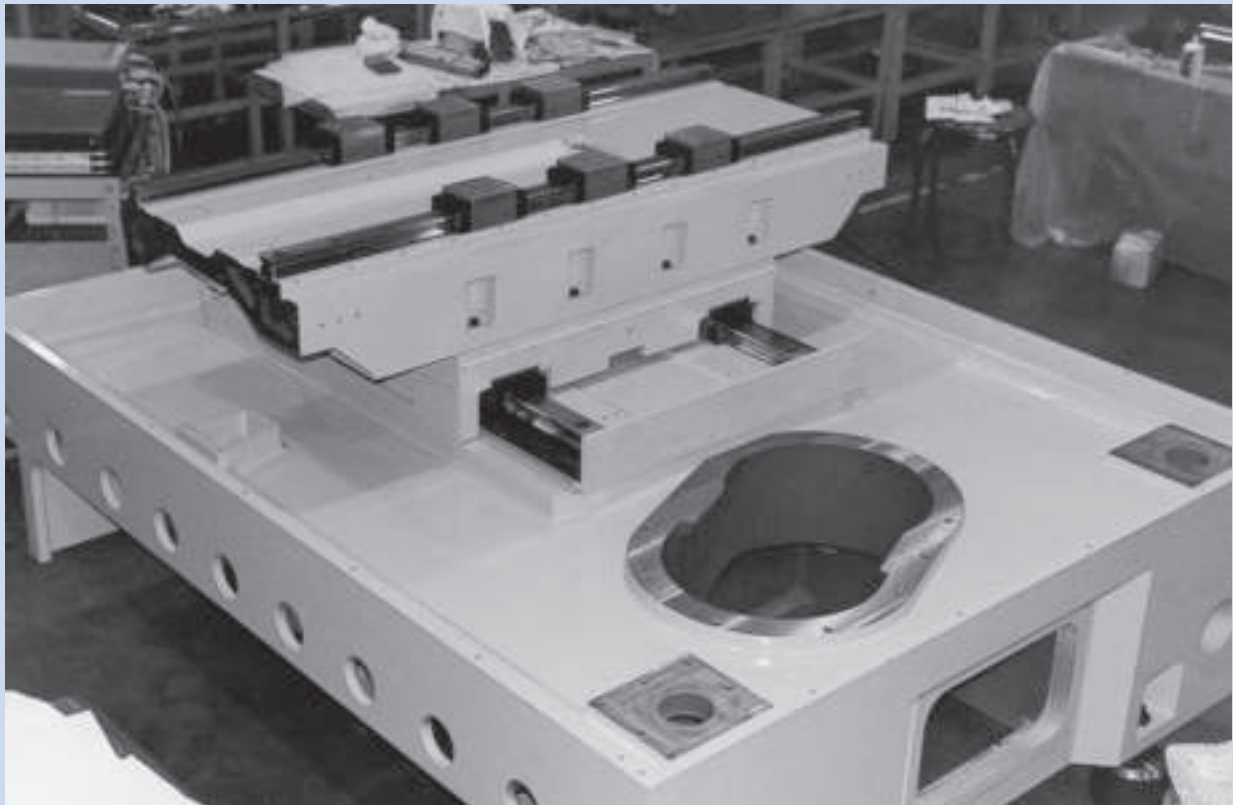
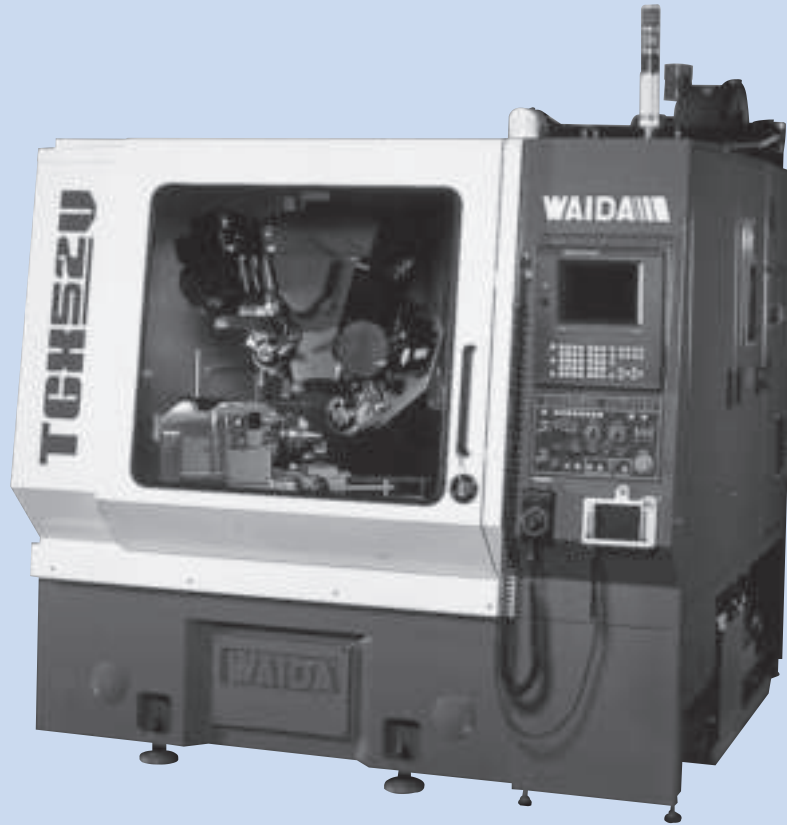
Synchronous control gear grinding machine

LRXG • LRWX



Tool grinding machine

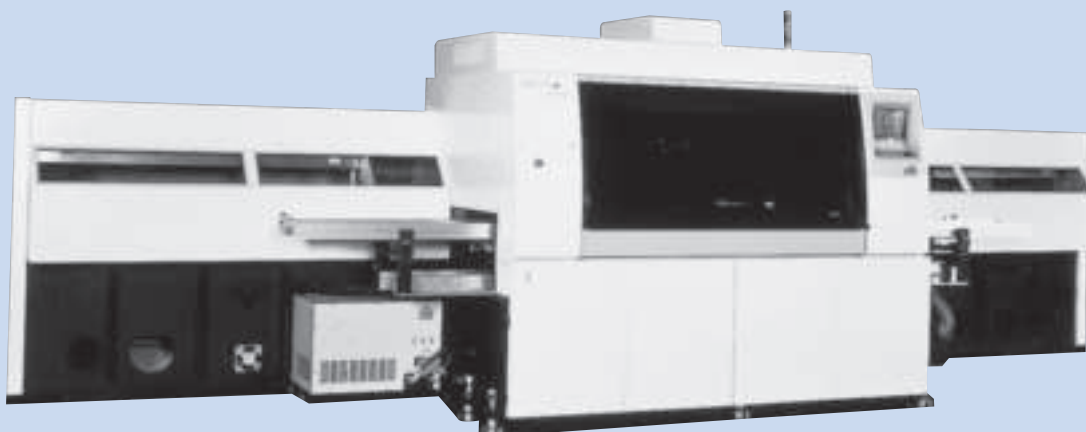
LRXD • LRXDG



Semiconductor and liquid crystal manufacturing equipment

High-speed chip mounter

LWLF • LWHS • LWHSG • LSAG



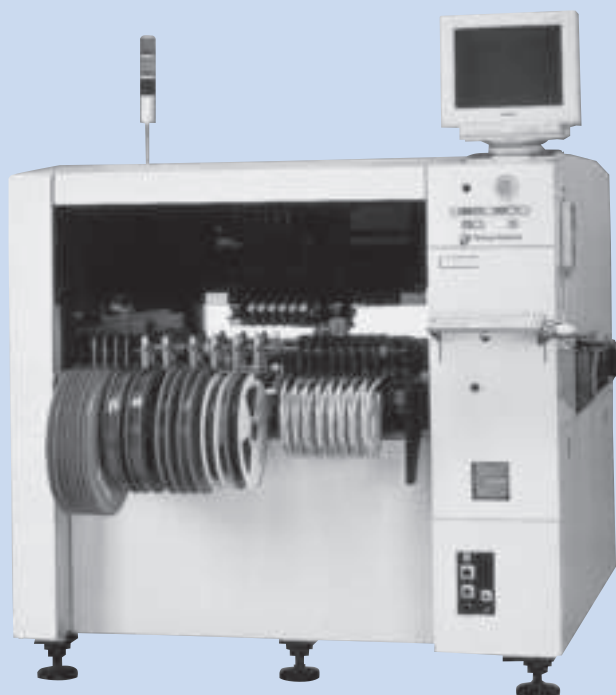
Surface mount system

LWL • LSAGT • BSR



Chip mounter

LWLC • LSAGLT



Stepper

LWL • LWLF • LWLM • LWHS • STSI



Industrial machinery

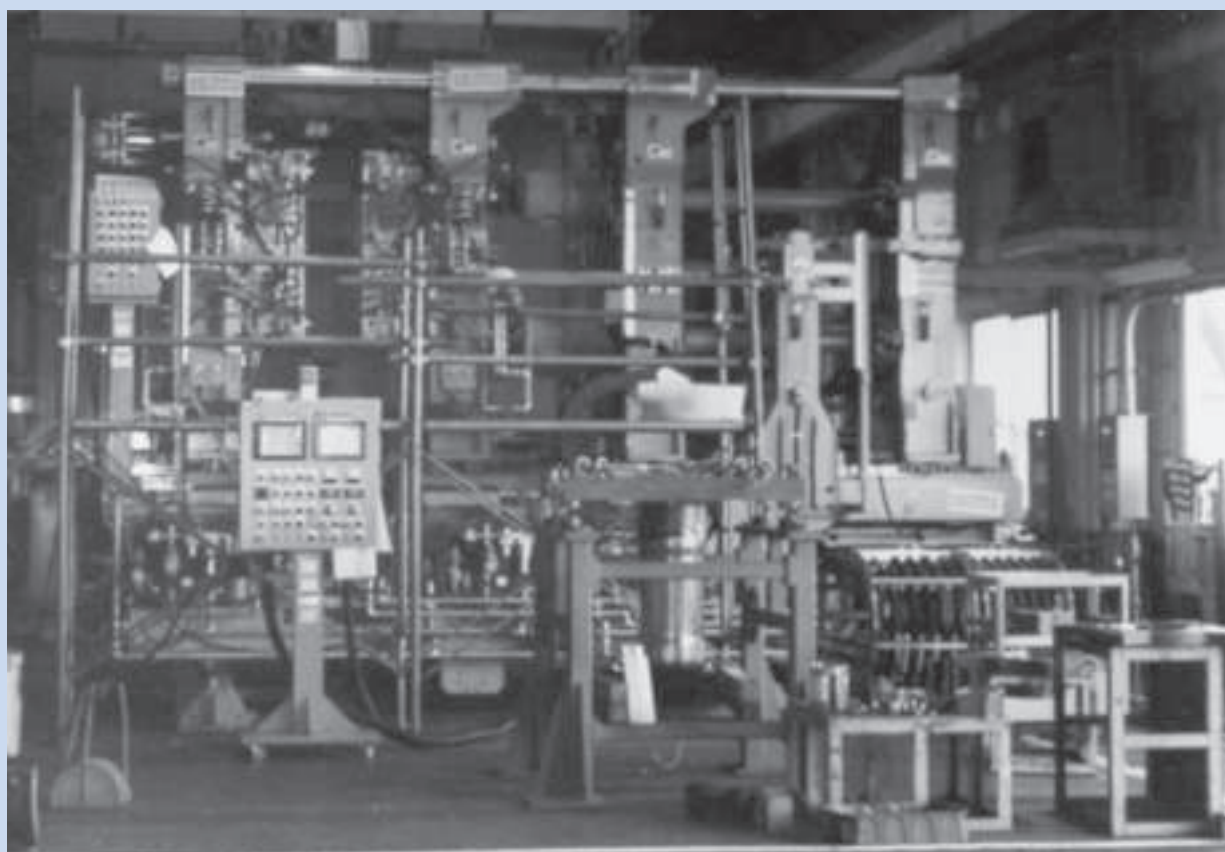
Injection molding machine

LWES



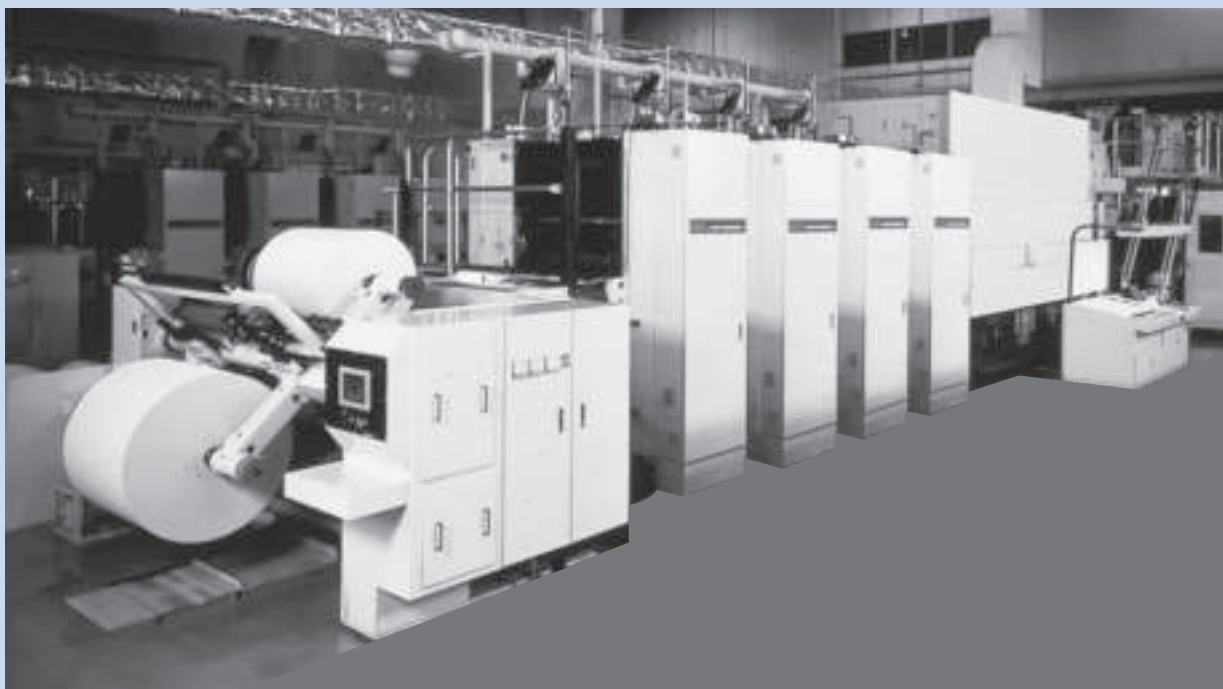
Hollow molding machine

LRXC • LRX



Web offset printing press

LWH • LWHDG



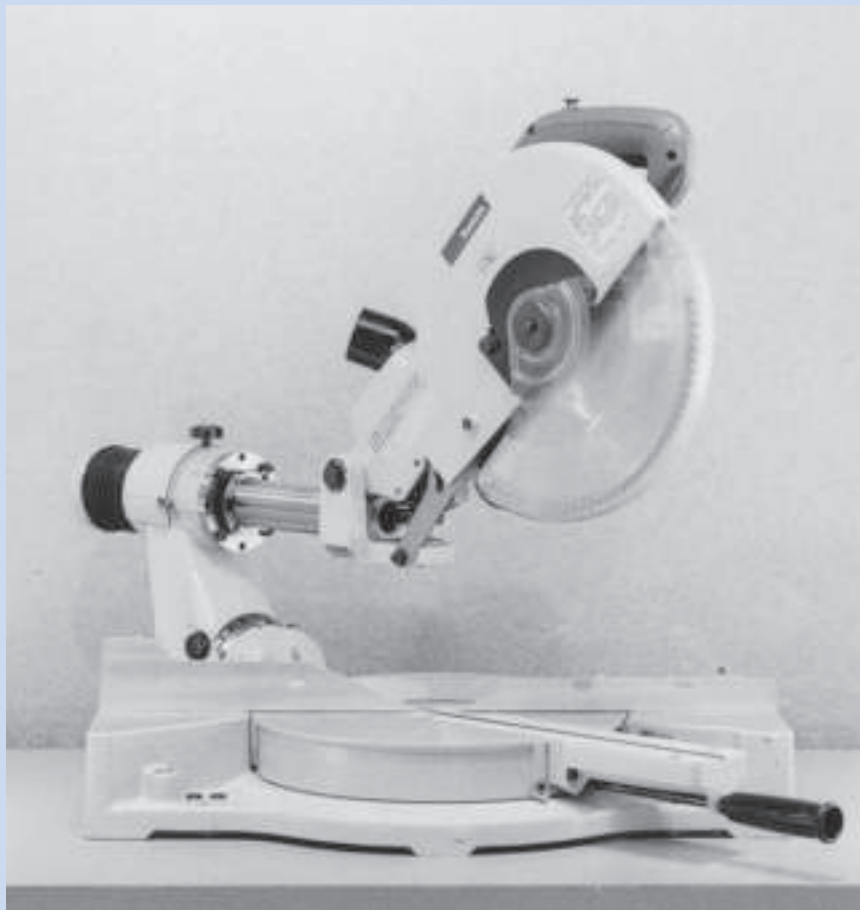
Multi-head type electronic embroidering machine

LWL



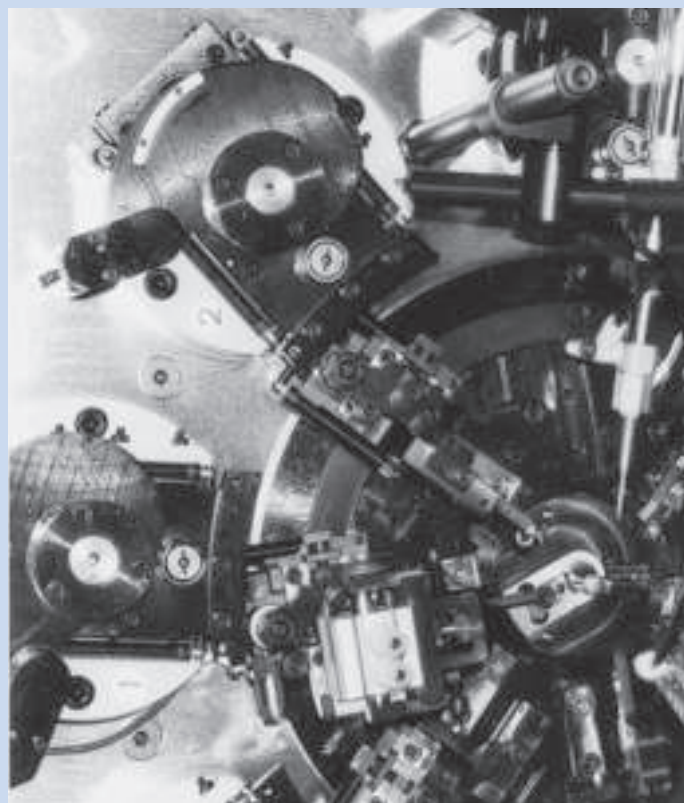
Circular saw

LSAG • LSAGF



Spring forming machine

LWH • LWHS • CRW • CF • CRBH



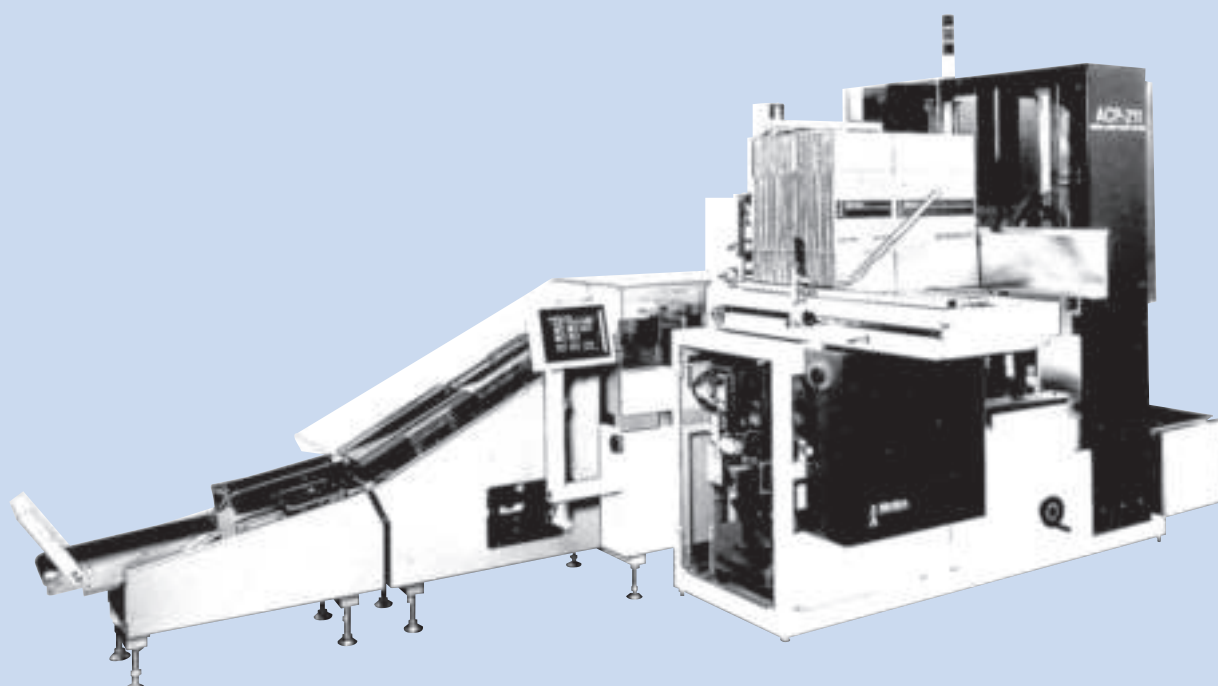
Bundling machine

LWHS



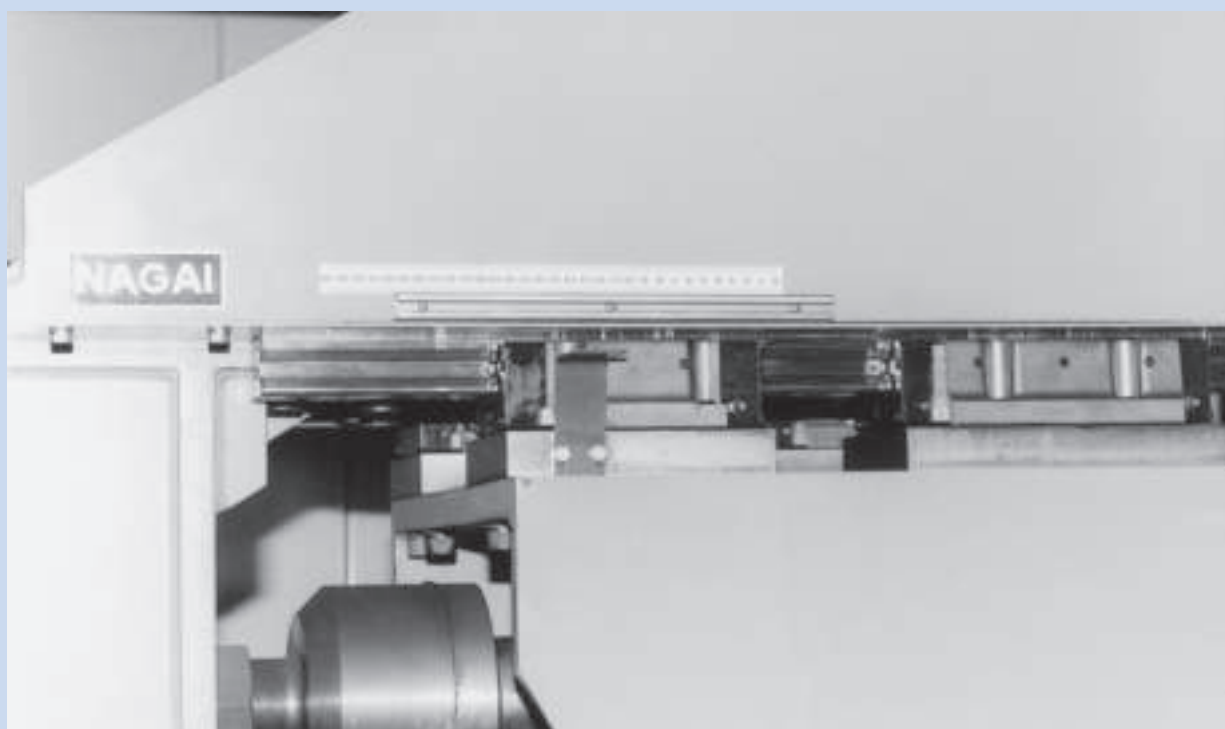
Automatic case packer

LWL • LWES • LWH • LWHS • LWHDG



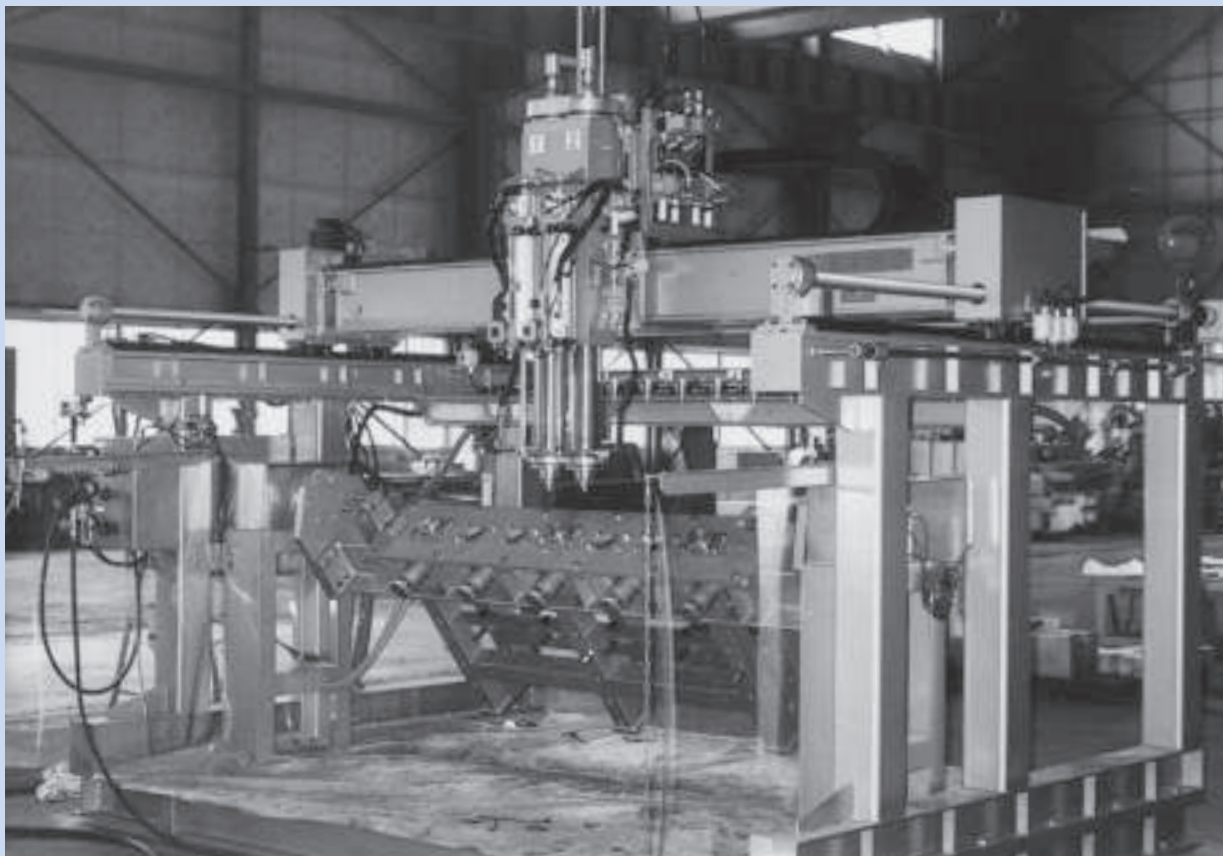
High-pressure high-density lumber compression system

LRXG



Stone polishing machine for curved surface

LWHD • LWH



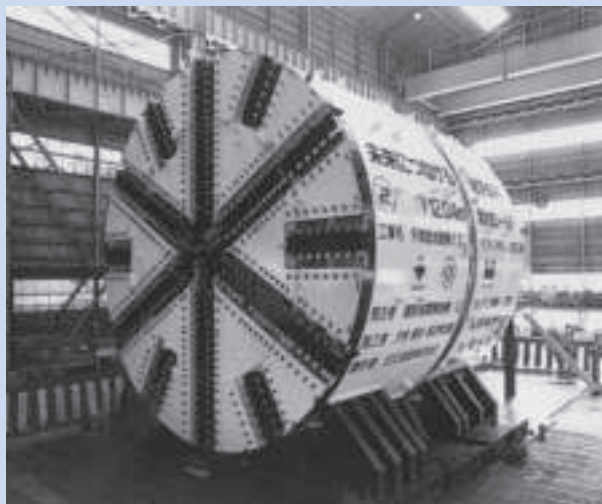
Building and construction machinery

Shield type tunnel excavator

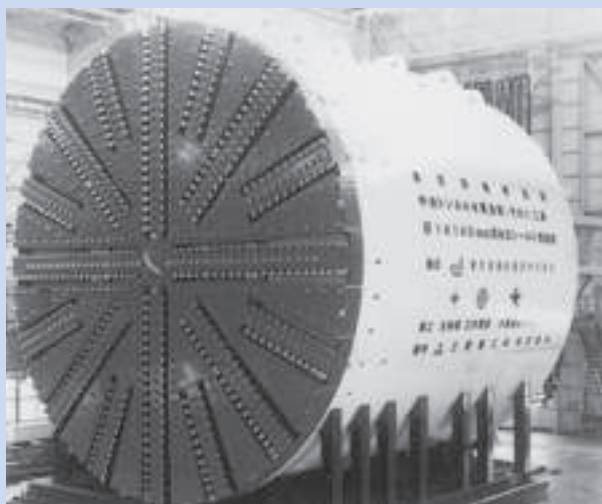
LRWX



LRXDG • LWHS



LRWX



Industrial robots

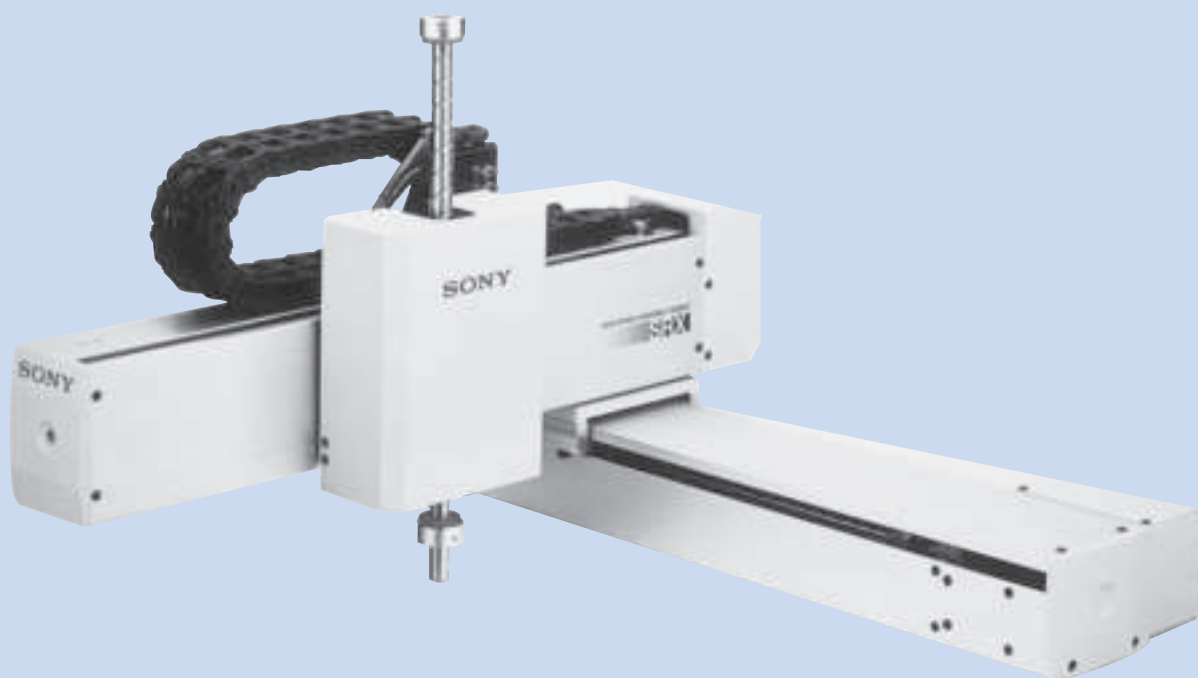
XYZ axis robot

LRW • LWHS



XYZ axis robot

LWHD



Scalar robot

CRBS



Scalar robot

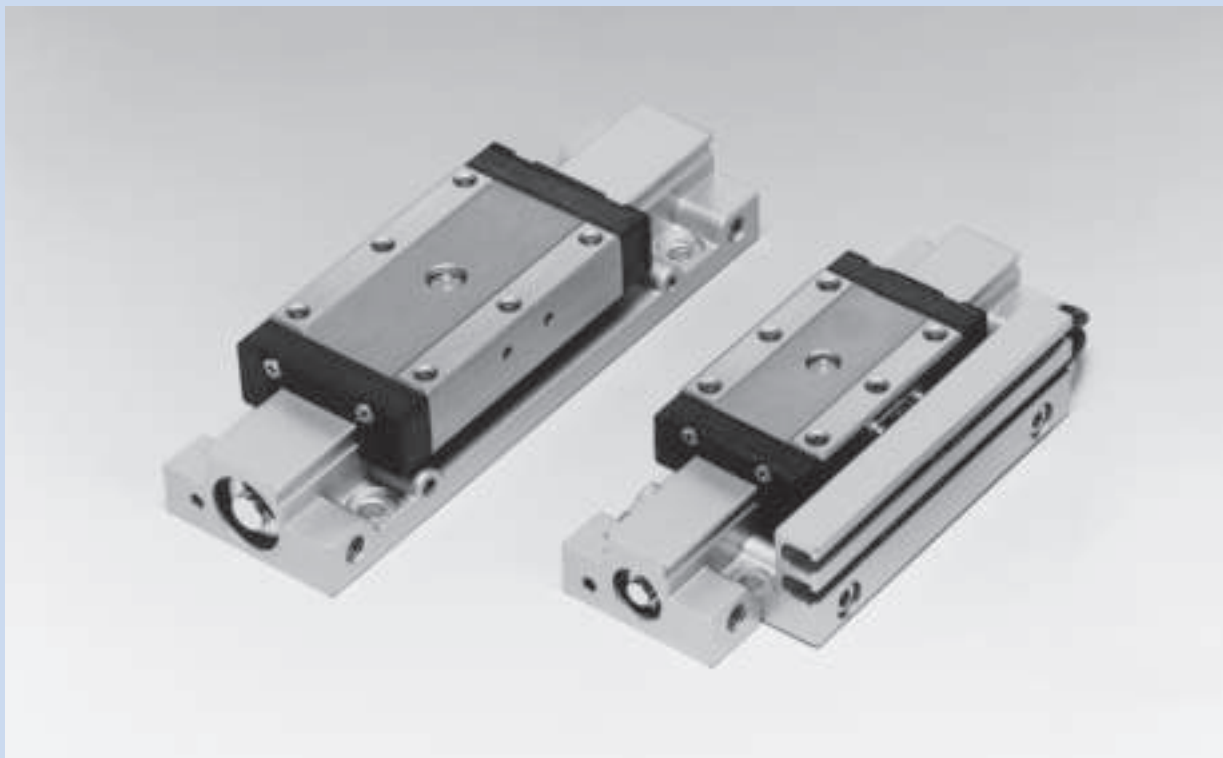
LSAG • CRBH



Pneumatic Equipment

Pneumatic actuator

LWL



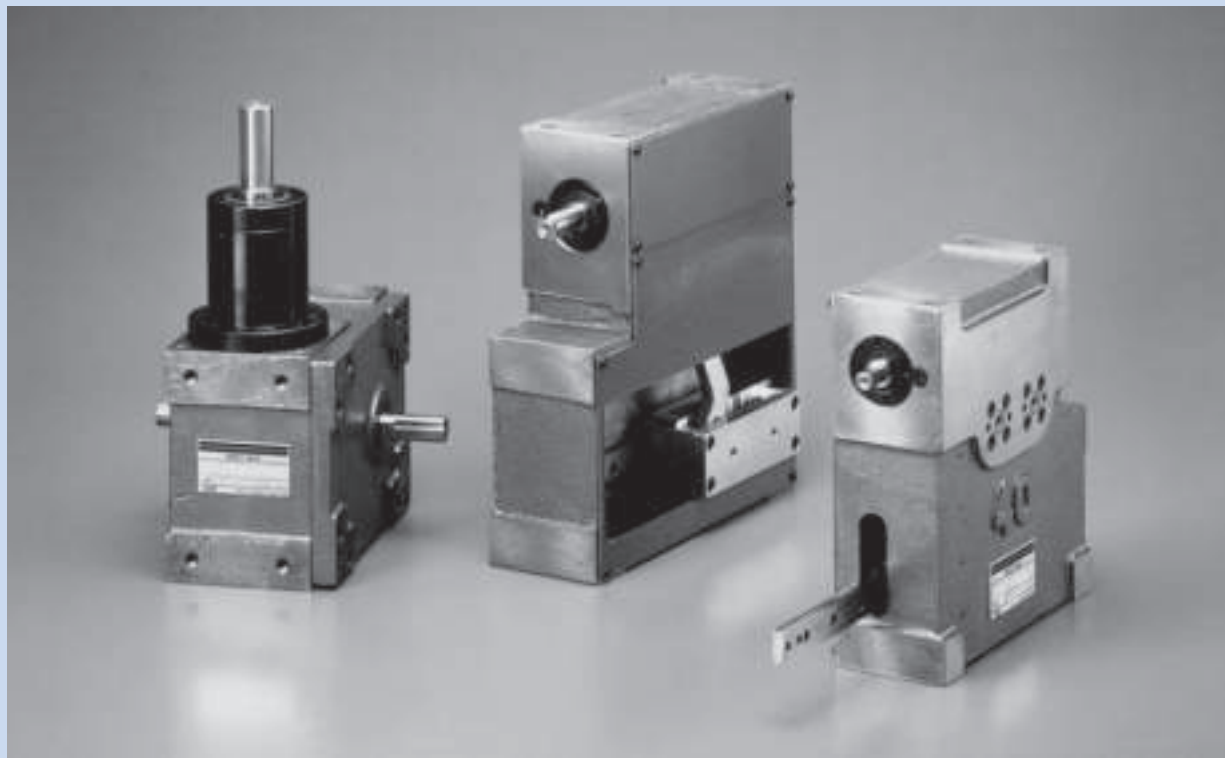
Pneumatic slide table

LWL



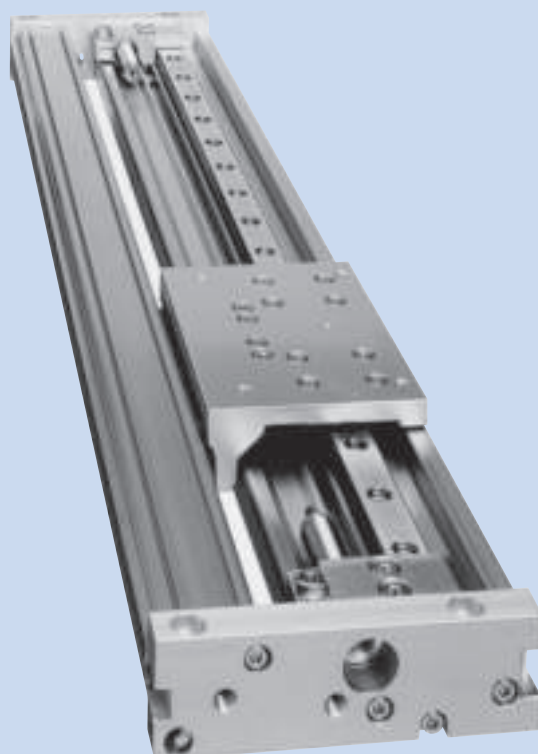
Pick and place unit

LWLF • LWHS • LSA • CFS



Rodless cylinder

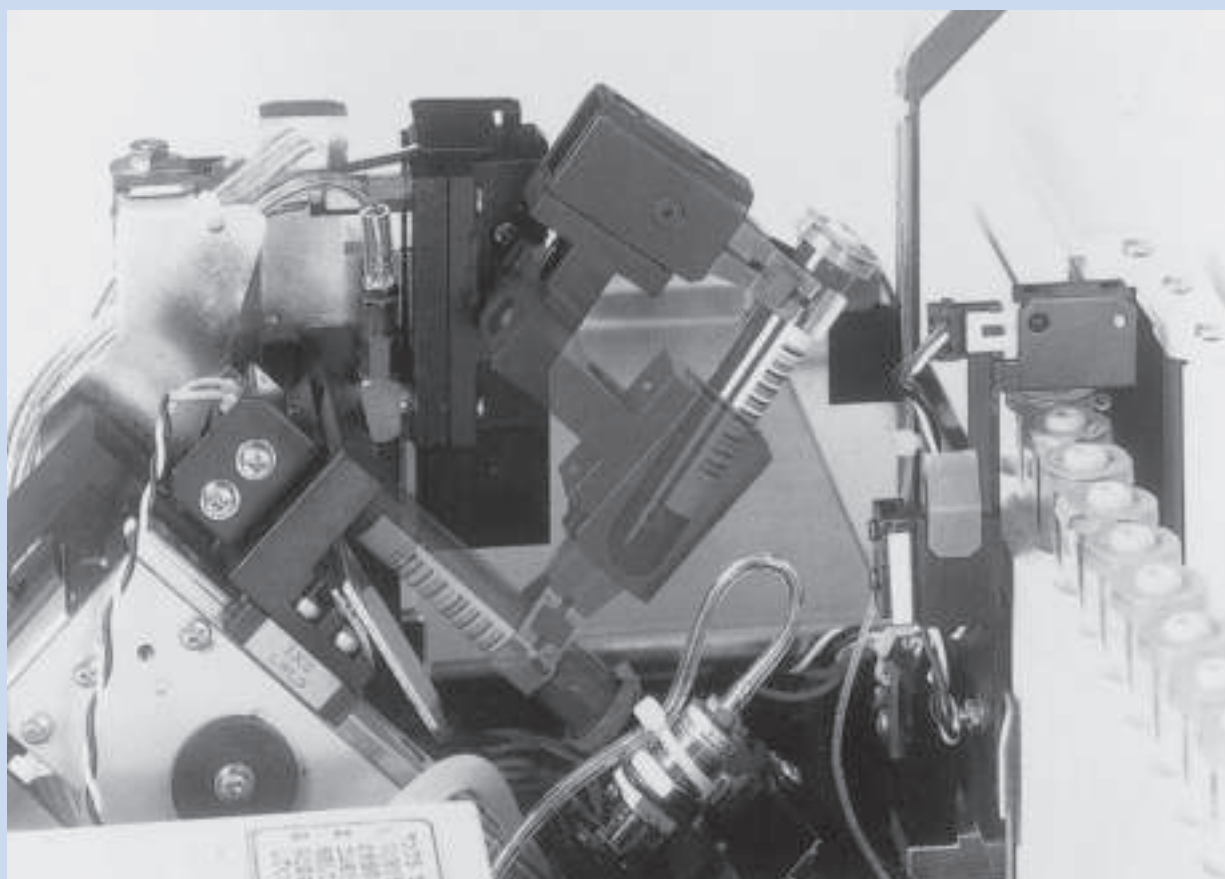
LWL



Medical equipment

Multi-item auto hemocytometer

LWL



Measuring instruments

Digital gauge

STSI



Linear gauge sensor

LSAG



Miscellaneous Tables

● Conversion Table of Units

Comparison table between SI units (system of international units), CGS units and KMS units (gravitational system of units)

Quantity System of units	Length	Mass	Time	Acceleration	Force	Stress	Pressure
SI units	m	kg	s	m/s ²	N	Pa	Pa
CGS units	cm	g	s	Gal	dyn	dyn/cm ²	dyn/cm ²
KMS units	m	kgf·s ² /m	s	m/s ²	kgf	kgf/m ²	kgf/m ²

Conversion into SI units

Quantity	Unit name	Symbol	Conversion factor into SI	SI unit name	Symbol
Angle	Degree	°	$\pi / 180$	Radian	rad
	Minute	'	$\pi / 10\ 800$		
	Second	"	$\pi / 648\ 000$		
Length	Meter	m	1	Meter	m
	Micrometer	μ	10^{-6}		
	Angstrom	Å	10^{-10}		
	X-ray unit		$\approx 1.002\ 08 \times 10^{-13}$		
	Nautical mile	n mile	1852		
Area	Square meter	m ²	1	Square meter	m ²
	Are	a	10^2		
	Hectare	ha	10^4		
Volume	Cubic meter	m ³	1	Cubic meter	m ³
	Liter	l, L	10^{-3}		
Mass	Kilogram	kg	1	Kilogram	kg
	Ton	t	10^3		
	Atomic mass unit	u	$\approx 1.660\ 57 \times 10^{-27}$		
Time	Second	s	1	Second	s
	Minute	min	60		
	Hour	h	3 600		
	Day	d	86 400		
Velocity	Meter per second	m/s	1	Meter per second	m/s
	Knot	kn	$1\ 852/3\ 600$		
Frequency and number of oscillations per time	Cycle	s ⁻¹	1	Hertz	Hz
Rotation speed	Rotation per minute	rpm	1/60	Per second	s ⁻¹
Angular velocity	Radian per second	rad/s	1	Radian per second	rad/s
Acceleration	Meter per square second	m/s ²	1	Meter per square second	m/s ²
	G	G	9.806 65		
Force	Kilogram force	kgf	9.806 65	Newton	N
	Ton force	tf	9 806.65		
	Dyne	dyn	10^{-5}		
Moment of force	Kilogram force-meter	kgf·m	9.806 65	Newton-meter	N·m
Stress and pressure	Kilogram force per square meter	kgf/m ²	9.806 65	Pascal	Pa
	Kilogram force per square centimeter	kgf/cm ²	$9.806\ 65 \times 10^4$		
	Kilogram force per square millimeter	kgf/mm ²	$9.806\ 65 \times 10^6$		

Energy	Power	Temperature	Viscosity	Kinematic viscosity	Magnetic flux	Magnetic flux density	Magnetic field intensity
J	W	K	Pa·s	m ² /s	Wb	T	A/m
erg	erg/s	°C	P	St	Mx	Gs	Oe
kgf·m	kgf·m/s	°C	kgf·s/m ²	m ² /s	—	—	—

Quantity	Unit name	Symbol	Conversion factor into SI	SI unit name	Symbol
Pressure	Hydro-column meter	mH ₂ O	9 806.65	Pascal	Pa
	Mercurial column millimeter	mmHg	$101\ 325/760$		
	Torr	Torr	$101\ 325/760$		
	Atmosphere	atm	101 325		
	Bar	bar	10^5		
Energy	Erg	erg	10^{-7}	Joule	J
	IT calorie	cal _{IT}	4.186 8		
	Kilogram force - meter	kgf·m	9.806 65		
	Kilowatt hour	kW·h	3.600×10^6		
	Horse power hour (French)	PS·h	$\approx 2.647\ 79 \times 10^6$		
Electron volt	eV	$\approx 1.602\ 19 \times 10^{-19}$			
Power	Watt	W	1	Watt	W
	Horse power (French)	PS	≈ 735.5		
	Kilogram force -meter per second	kgf·m/s	9.806 65		
Viscosity	Poise	P	10^{-1}	Pascal-second	Pa·s
	Centipoise	cP	10^{-3}		
	Kilogram force-second per square meter	kgf·s/m ²	9.806 65		
Kinematic viscosity	Stokes	St	10^{-4}	Square meter per second	m ² /s
	Centistokes	cSt	10^{-6}		
Temperature	Degree	°C	+273.15	Kelvin	K
Radioactivity	Curie	Ci	3.7×10^{10}	Becquerel	Bq
	Exposure dose	Roentgen	2.58×10^{-4}		
	Absorbed dose	Rad	10^{-2}		
	Dose equivalent	Rem	10^{-2}		
Magnetic flux	Maxwell	Mx	10^{-8}	Weber	Wb
Magnetic flux density	Gamma	γ	10^{-9}	Tesla	T
	Gauss	Gs	10^{-4}		
Magnetic field intensity	Oersted	Oe	$10^3/4\ \pi$	Ampere per meter	A/m
Quantity of electricity	Coulomb	C	1	Coulomb	C
Electric potential difference	Volt	V	1	Volt	V
Electrostatic capacity	Farad	F	1	Farad	F
	(Electric) resistance	Ohm	Ω		
(Electric) conductance	Siemens	S	1	Siemens	S
	Inductance	Henry	H		
Current	Ampere	A	1	Ampere	A



● Inch-mm Conversion Table

1 inch = 25.4 mm

inch		0"	1"	2"	3"	4"	5"	6"	7"	8"
Fraction	Decimal									
	0		25.400	50.800	76.200	101.600	127.000	152.400	177.800	203.200
1 / 64"	0.015625	0.397	25.797	51.197	76.597	101.997	127.397	152.797	178.197	203.597
1 / 32"	0.031250	0.794	26.194	51.594	76.994	102.394	127.794	153.194	178.594	203.994
3 / 64"	0.046875	1.191	26.591	51.991	77.391	102.791	128.191	153.591	178.991	204.391
1 / 16"	0.062500	1.588	26.988	52.388	77.788	103.188	128.588	153.988	179.388	204.788
5 / 64"	0.078125	1.984	27.384	52.784	78.184	103.584	128.984	154.384	179.784	205.184
3 / 32"	0.093750	2.381	27.781	53.181	78.581	103.981	129.381	154.781	180.181	205.581
7 / 64"	0.109375	2.778	28.178	53.578	78.978	104.378	129.778	155.178	180.578	205.978
1 / 8"	0.125000	3.175	28.575	53.975	79.375	104.775	130.175	155.575	180.975	206.375
9 / 64"	0.140625	3.572	28.972	54.372	79.772	105.172	130.572	155.972	181.372	206.772
5 / 32"	0.156250	3.969	29.369	54.769	80.169	105.569	130.969	156.369	181.769	207.169
11 / 64"	0.171875	4.366	29.766	55.166	80.566	105.966	131.366	156.766	182.166	207.566
3 / 16"	0.187500	4.762	30.162	55.562	80.962	106.362	131.762	157.162	182.562	207.962
13 / 64"	0.203125	5.159	30.559	55.959	81.359	106.759	132.159	157.559	182.959	208.359
7 / 32"	0.218750	5.556	30.956	56.356	81.756	107.156	132.556	157.956	183.356	208.756
15 / 64"	0.234375	5.953	31.353	56.753	82.153	107.553	132.953	158.353	183.753	209.153
1 / 4"	0.250000	6.350	31.750	57.150	82.550	107.950	133.350	158.750	184.150	209.550
17 / 64"	0.265625	6.747	32.147	57.547	82.947	108.347	133.747	159.147	184.547	209.947
9 / 32"	0.281250	7.144	32.544	57.944	83.344	108.744	134.144	159.544	184.944	210.344
19 / 64"	0.296875	7.541	32.941	58.341	83.741	109.141	134.541	159.941	185.341	210.741
5 / 16"	0.312500	7.938	33.338	58.738	84.138	109.538	134.938	160.338	185.738	211.138
21 / 64"	0.328125	8.334	33.734	59.134	84.534	109.934	135.334	160.734	186.134	211.534
11 / 32"	0.343750	8.731	34.131	59.531	84.931	110.331	135.731	161.131	186.531	211.931
23 / 64"	0.359375	9.128	34.528	59.928	85.328	110.728	136.128	161.528	186.928	212.328
3 / 8"	0.375000	9.525	34.925	60.325	85.725	111.125	136.525	161.925	187.325	212.725
25 / 64"	0.390625	9.922	35.322	60.722	86.122	111.522	136.922	162.322	187.722	213.122
13 / 32"	0.406250	10.319	35.719	61.119	86.519	111.919	137.319	162.719	188.119	213.519
27 / 64"	0.421875	10.716	36.116	61.516	86.916	112.316	137.716	163.116	188.516	213.916
7 / 16"	0.437500	11.112	36.512	61.912	87.312	112.712	138.112	163.512	188.912	214.312
29 / 64"	0.453125	11.509	36.909	62.309	87.709	113.109	138.509	163.909	189.309	214.709
15 / 32"	0.468750	11.906	37.306	62.706	88.106	113.506	138.906	164.306	189.706	215.106
31 / 64"	0.484375	12.303	37.703	63.103	88.503	113.903	139.303	164.703	190.103	215.503
1 / 2"	0.500000	12.700	38.100	63.500	88.900	114.300	139.700	165.100	190.500	215.900

1 inch = 25.4 mm

inch		0"	1"	2"	3"	4"	5"	6"	7"	8"
Fraction	Decimal									
33 / 64"	0.515625	13.097	38.497	63.897	89.297	114.697	140.097	165.497	190.897	216.297
17 / 32"	0.531250	13.494	38.894	64.294	89.694	115.094	140.494	165.894	191.294	216.694
35 / 64"	0.546875	13.891	39.291	64.691	90.091	115.491	140.891	166.291	191.691	217.091
9 / 16"	0.562500	14.288	39.688	65.088	90.488	115.888	141.288	166.688	192.088	217.488
37 / 64"	0.578125	14.684	40.084	65.484	90.884	116.284	141.684	167.084	192.484	217.884
19 / 32"	0.593750	15.081	40.481	65.881	91.281	116.681	142.081	167.481	192.881	218.281
39 / 64"	0.609375	15.478	40.878	66.278	91.678	117.078	142.478	167.878	193.278	218.678
5 / 8"	0.625000	15.875	41.275	66.675	92.075	117.475	142.875	168.275	193.675	219.075
41 / 64"	0.640625	16.272	41.672	67.072	92.472	117.872	143.272	168.672	194.072	219.472
21 / 32"	0.656250	16.669	42.069	67.469	92.869	118.269	143.669	169.069	194.469	219.869
43 / 64"	0.671875	17.066	42.466	67.866	93.266	118.666	144.066	169.466	194.866	220.266
11 / 16"	0.687500	17.462	42.862	68.262	93.662	119.062	144.462	169.862	195.262	220.662
45 / 64"	0.703125	17.859	43.259	68.659	94.059	119.459	144.859	170.259	195.659	221.059
23 / 32"	0.718750	18.256	43.656	69.056	94.456	119.856	145.256	170.656	196.056	221.456
47 / 64"	0.734375	18.653	44.053	69.453	94.853	120.253	145.653	171.053	196.453	221.853
3 / 4"	0.750000	19.050	44.450	69.850	95.250	120.650	146.050	171.450	196.850	222.250
49 / 64"	0.765625	19.447	44.847	70.247	95.647	121.047	146.447	171.847	197.247	222.647
25 / 32"	0.781250	19.844	45.244	70.644	96.044	121.444	146.844	172.244	197.644	223.044
51 / 64"	0.796875	20.241	45.641	71.041	96.441	121.841	147.241	172.641	198.041	223.441
13 / 16"	0.812500	20.638	46.038	71.438	96.838	122.238	147.638	173.038	198.438	223.838
53 / 64"	0.828125	21.034	46.434	71.834	97.234	122.634	148.034	173.434	198.834	224.234
27 / 32"	0.843750	21.431	46.831	72.231	97.631	123.031	148.431	173.831	199.231	224.631
55 / 64"	0.859375	21.828	47.228	72.628	98.028	123.428	148.828	174.228	199.628	225.028
7 / 8"	0.875000	22.225	47.625	73.025	98.425	123.825	149.225	174.625	200.025	225.425
57 / 64"	0.890625	22.622	48.022	73.422	98.822	124.222	149.622	175.022	200.422	225.822
29 / 32"	0.906250	23.019	48.419	73.819	99.219	124.619	150.019	175.419	200.819	226.219
59 / 64"	0.921875	23.416	48.816	74.216	99.616	125.016	150.416	175.816	201.216	226.616
15 / 16"	0.937500	23.812	49.212	74.612	100.012	125.412	150.812	176.212	201.612	227.012
61 / 64"	0.953125	24.209	49.609	75.009	100.409	125.809	151.209	176.609	202.009	227.409
31 / 32"	0.968750	24.606	50.006	75.406	100.806	126.206	151.606	177.006	202.406	227.806
63 / 64"	0.984375	25.003	50.403	75.803	101.203	126.603	152.003	177.403	202.803	228.203



● Hardness Conversion Table (Reference)

Rockwell C scale hardness Load 1471N HRC	Vickers' hardness HV	Brinell hardness		Rockwell hardness		Shore hardness HS
		Standard ball	Tungsten carbide ball	A scale Load 588.4N Diamond circular cone	B scale Load 980.7N 1/16" ball	
68	940	—	—	85.6	—	97
67	900	—	—	85.0	—	95
66	865	—	—	84.5	—	92
65	832	—	(739)	83.9	—	91
64	800	—	(722)	83.4	—	88
63	772	—	(705)	82.8	—	87
62	746	—	(688)	82.3	—	85
61	720	—	(670)	81.8	—	83
60	697	—	(654)	81.2	—	81
59	674	—	(634)	80.7	—	80
58	653	—	615	80.1	—	78
57	633	—	595	79.6	—	76
56	613	—	577	79.0	—	75
55	595	—	560	78.5	—	74
54	577	—	543	78.0	—	72
53	560	—	525	77.4	—	71
52	544	(500)	512	76.8	—	69
51	528	(487)	496	76.3	—	68
50	513	(475)	481	75.9	—	67
49	498	(464)	469	75.2	—	66
48	484	451	455	74.7	—	64
47	471	442	443	74.1	—	63
46	458	432	432	73.6	—	62
45	446	421	421	73.1	—	60
44	434	409	409	72.5	—	58
43	423	400	400	72.0	—	57
42	412	390	390	71.5	—	56
41	402	381	381	70.9	—	55
40	392	371	371	70.4	—	54
39	382	362	362	69.9	—	52

Rockwell C scale hardness Load 1471N HRC	Vickers' hardness HV	Brinell hardness		Rockwell hardness		Shore hardness HS
		Standard ball	Tungsten carbide ball	A scale Load 588.4N Diamond circular cone	B scale Load 980.7N 1/16" ball	
38	372	353	353	69.4	—	51
37	363	344	344	68.9	—	50
36	354	336	336	68.4	(109.0)	49
35	345	327	327	67.9	(108.5)	48
34	336	319	319	67.4	(108.0)	47
33	327	311	311	66.8	(107.5)	46
32	318	301	301	66.3	(107.0)	44
31	310	294	294	65.8	(106.0)	43
30	302	286	286	65.3	(105.5)	42
29	294	279	279	64.7	(104.5)	41
28	286	271	271	64.3	(104.0)	41
27	279	264	264	63.8	(103.0)	40
26	272	258	258	63.3	(102.5)	38
25	266	253	253	62.8	(101.5)	38
24	260	247	247	62.4	(101.0)	37
23	254	243	243	62.0	100.0	36
22	248	237	237	61.5	99.0	35
21	243	231	231	61.0	98.5	35
20	238	226	226	60.5	97.8	34
(18)	230	219	219	—	96.7	33
(16)	222	212	212	—	95.5	32
(14)	213	203	203	—	93.9	31
(12)	204	194	194	—	92.3	29
(10)	196	187	187	—	90.7	28
(8)	188	179	179	—	89.5	27
(6)	180	171	171	—	87.1	26
(4)	173	165	165	—	85.5	25
(2)	166	158	158	—	83.5	24
(0)	160	152	152	—	81.7	24

Tolerance of Shaft Diameter

Nominal Diameter mm		b12		c12		d6		e6		e12		f5		f6		g5	
Over	Incl.	High	Low	High	Low	High	Low	High	Low	High	Low	High	Low	High	Low	High	Low
—	3	-140	-240	-60	-160	-20	-26	-14	-20	-14	-114	-6	-10	-6	-12	-2	-6
3	6	-140	-260	-70	-190	-30	-38	-20	-28	-20	-140	-10	-15	-10	-18	-4	-9
6	10	-150	-300	-80	-230	-40	-49	-25	-34	-25	-175	-13	-19	-13	-22	-5	-11
10	18	-150	-330	-95	-275	-50	-61	-32	-43	-32	-212	-16	-24	-16	-27	-6	-14
18	30	-160	-370	-110	-320	-65	-78	-40	-53	-40	-250	-20	-29	-20	-33	-7	-16
30	40	-170	-420	-120	-370	-80	-96	-50	-66	-50	-300	-25	-36	-25	-41	-9	-20
40	50	-180	-430	-130	-380	-100	-119	-60	-79	-60	-360	-30	-43	-30	-49	-10	-23
50	65	-190	-490	-140	-440	-120	-142	-72	-94	-72	-422	-36	-51	-36	-58	-12	-27
65	80	-200	-500	-150	-450	-145	-170	-85	-110	-85	-485	-43	-61	-43	-68	-14	-32
80	100	-220	-570	-170	-520	-170	-199	-100	-129	-100	-560	-50	-70	-50	-79	-15	-35
100	120	-240	-590	-180	-530	-190	-222	-110	-142	-110	-630	-56	-79	-56	-88	-17	-40
120	140	-260	-660	-200	-600	-210	-246	-125	-161	-125	-695	-62	-87	-62	-98	-18	-43
140	160	-280	-680	-210	-610	-210	-246	-125	-161	-125	-695	-62	-87	-62	-98	-18	-43
160	180	-310	-710	-230	-630	-210	-246	-125	-161	-125	-695	-62	-87	-62	-98	-18	-43
180	200	-340	-800	-240	-700	-210	-246	-125	-161	-125	-695	-62	-87	-62	-98	-18	-43
200	225	-380	-840	-260	-720	-210	-246	-125	-161	-125	-695	-62	-87	-62	-98	-18	-43
225	250	-420	-880	-280	-740	-210	-246	-125	-161	-125	-695	-62	-87	-62	-98	-18	-43
250	280	-480	-1000	-300	-820	-210	-246	-125	-161	-125	-695	-62	-87	-62	-98	-18	-43
280	315	-540	-1060	-330	-850	-210	-246	-125	-161	-125	-695	-62	-87	-62	-98	-18	-43
315	355	-600	-1170	-360	-930	-210	-246	-125	-161	-125	-695	-62	-87	-62	-98	-18	-43
355	400	-680	-1250	-400	-970	-210	-246	-125	-161	-125	-695	-62	-87	-62	-98	-18	-43
400	450	-760	-1390	-440	-1070	-230	-270	-135	-175	-135	-765	-68	-95	-68	-108	-20	-47
450	500	-840	-1470	-480	-1110	-230	-270	-135	-175	-135	-765	-68	-95	-68	-108	-20	-47

unit : μm

Nominal Diameter mm		g6		h5		h6		h7		h8		h9		h10		h11	
High	Low	High	Low	High	Low	High	Low	High	Low	High	Low	High	Low	High	Low	High	Low
-2	-8	0	-4	0	-6	0	-10	0	-14	0	-25	0	-40	0	-60	—	3
-4	-12	0	-5	0	-8	0	-12	0	-18	0	-30	0	-48	0	-75	3	6
-5	-14	0	-6	0	-9	0	-15	0	-22	0	-36	0	-58	0	-90	6	10
-6	-17	0	-8	0	-11	0	-18	0	-27	0	-43	0	-70	0	-110	10	18
-7	-20	0	-9	0	-13	0	-21	0	-33	0	-52	0	-84	0	-130	18	30
-9	-25	0	-11	0	-16	0	-25	0	-39	0	-62	0	-100	0	-160	30	40
-10	-29	0	-13	0	-19	0	-30	0	-46	0	-74	0	-120	0	-190	40	50
-12	-34	0	-15	0	-22	0	-35	0	-54	0	-87	0	-140	0	-220	50	65
-14	-39	0	-18	0	-25	0	-40	0	-63	0	-100	0	-160	0	-250	65	80
-15	-44	0	-20	0	-29	0	-46	0	-72	0	-115	0	-185	0	-290	80	100
-17	-49	0	-23	0	-32	0	-52	0	-81	0	-130	0	-210	0	-320	100	120
-18	-54	0	-25	0	-36	0	-57	0	-89	0	-140	0	-230	0	-360	120	140
-20	-60	0	-27	0	-40	0	-63	0	-97	0	-155	0	-250	0	-400	140	160
																160	180
																180	200
																200	225
																225	250
																250	280
																280	315
																315	355
																355	400
																400	450
																450	500

Nominal Diameter mm		h12		js5		j5		js6		j6		j7		k5		k6	
Over	Incl.	High	Low	High	Low	High	Low	High	Low	High	Low	High	Low	High	Low	High	Low
—	3	0	-100	+2	-2	+2	-2	+3	-3	+4	-2	+6	-4	+4	0	+6	0
3	6	0	-120	+2.5	-2.5	+3	-2	+4	-4	+6	-2	+8	-4	+6	+1	+9	+1
6	10	0	-150	+3	-3	+4	-2	+4.5	-4.5	+7	-2	+10	-5	+7	+1	+10	+1
10	18	0	-180	+4	-4	+5	-3	+5.5	-5.5	+8	-3	+12	-6	+9	+1	+12	+1
18	30	0	-210	+4.5	-4.5	+5	-4	+6.5	-6.5	+9	-4	+13	-8	+11	+2	+15	+2
30	40	0	-250	+5.5	-5.5	+6	-5	+8	-8	+11	-5	+15	-10	+13	+2	+18	+2
40	50	0	-300	+6.5	-6.5	+6	-7	+9.5	-9.5	+12	-7	+18	-12	+15	+2	+21	+2
50	65	0	-350	+7.5	-7.5	+6	-9	+11	-11	+13	-9	+20	-15	+18	+3	+25	+3
65	80	0	-400	+9	-9	+7	-11	+12.5	-12.5	+14	-11	+22	-18	+21	+3	+28	+3
80	100	0	-460	+10	-10	+7	-13	+14.5	-14.5	+16	-13	+25	-21	+24	+4	+33	+4
100	120	0	-520	+11.5	-11.5	+7	-16	+16	-16	+16	-16	+26	-26	+27	+4	+36	+4
120	140	0	-570	+12.5	-12.5	+7	-18	+18	-18	+18	-18	+29	-28	+29	+4	+40	+4
140	160	0	-630	+13.5	-13.5	+7	-20	+20	-20	+20	-20	+31	-32	+32	+5	+45	+5
160	180	0	-630	+13.5	-13.5	+7	-20	+20	-20	+20	-20	+31	-32	+32	+5	+45	+5
180	200	0	-630	+13.5	-13.5	+7	-20	+20	-20	+20	-20	+31	-32	+32	+5	+45	+5
200	225	0	-630	+13.5	-13.5	+7	-20	+20	-20	+20	-20	+31	-32	+32	+5	+45	+5
225	250	0	-630	+13.5	-13.5	+7	-20	+20	-20	+20	-20	+31	-32	+32	+5	+45	+5
250	280	0	-630	+13.5	-13.5	+7	-20	+20	-20	+20	-20	+31	-32	+32	+5	+45	+5
280	315	0	-630	+13.5	-13.5	+7	-20	+20	-20	+20	-20	+31	-32	+32	+5	+45	+5
315	355	0	-630	+13.5	-13.5	+7	-20	+20	-20	+20	-20	+31	-32	+32	+5	+45	+5
355	400	0	-630	+13.5	-13.5	+7	-20	+20	-20	+20	-20	+31	-32	+32	+5	+45	+5
400	450	0	-630	+13.5	-13.5	+7	-20	+20	-20	+20	-20	+31	-32	+32	+5	+45	+5
450	500	0	-630	+13.5	-13.5	+7	-20	+20	-20	+20	-20	+31	-32	+32	+5	+45	+5

unit : μm

Nominal Diameter mm		m5		m6		n5		n6		p6	
High	Low	High	Low	High	Low	High	Low	High	Low	High	Low
+6	+2	+8	+2	+8	+4	+10	+4	+12	+6	—	3
+9	+4	+12	+4	+13	+8	+16	+8	+20	+12	3	6
+12	+6	+15	+6	+16	+10	+19	+10	+24	+15	6	10
+15	+7	+18	+7	+20	+12	+23	+12	+29	+18	10	18
+17	+8	+21	+8	+24	+15	+28	+15	+35	+22	18	30
+20	+9	+25	+9	+28	+17	+33	+17	+42	+26	30	40
+24	+11	+30	+11	+33	+20	+39	+20	+51	+32	40	50
+28	+13	+35	+13	+38	+23	+45	+23	+59	+37	50	65
+33	+15	+40	+15	+45	+27	+52	+27	+68	+43	65	80
+37	+17	+46	+17	+51	+31	+60	+31	+79	+50	80	100
+43	+20	+52	+20	+57	+34	+66	+34	+88	+56	100	120
+46	+21	+57	+21	+62	+37	+73	+37	+98	+62	120	140
+50	+23	+63	+23	+67	+40	+80	+40	+108	+68	140	160
										160	180
										180	200
										200	225
										225	250
										250	280
										280	315
										315	355
										355	400
										400	450
										450	500



Tolerance of Housing Bore Diameter

Nominal Diameter mm		B12		E7		E11		E12		F6		F7		G6		G7	
Over	Incl.	High	Low	High	Low	High	Low	High	Low	High	Low	High	Low	High	Low	High	Low
—	3	+240	+140	+24	+14	+74	+14	+114	+14	+12	+6	+16	+6	+8	+2	+12	+2
3	6	+260	+140	+32	+20	+95	+20	+140	+20	+18	+10	+22	+10	+12	+4	+16	+4
6	10	+300	+150	+40	+25	+115	+25	+175	+25	+22	+13	+28	+13	+14	+5	+20	+5
10	18	+330	+150	+50	+32	+142	+32	+212	+32	+27	+16	+34	+16	+17	+6	+24	+6
18	30	+370	+160	+61	+40	+170	+40	+250	+40	+33	+20	+41	+20	+20	+7	+28	+7
30	40	+420	+170	+75	+50	+210	+50	+300	+50	+41	+25	+50	+25	+25	+9	+34	+9
40	50	+430	+180														
50	65	+490	+190	+90	+60	+250	+60	+360	+60	+49	+30	+60	+30	+29	+10	+40	+10
65	80	+500	+200														
80	100	+570	+220	+107	+72	+292	+72	+422	+72	+58	+36	+71	+36	+34	+12	+47	+12
100	120	+590	+240														
120	140	+660	+260	+125	+85	+335	+85	+485	+85	+68	+43	+83	+43	+39	+14	+54	+14
140	160	+680	+280														
160	180	+710	+310														
180	200	+800	+340	+146	+100	+390	+100	+560	+100	+79	+50	+96	+50	+44	+15	+61	+15
200	225	+840	+380														
225	250	+880	+420														
250	280	+1000	+480	+162	+110	+430	+110	+630	+110	+88	+56	+108	+56	+49	+17	+69	+17
280	315	+1060	+540														
315	355	+1170	+600	+182	+125	+485	+125	+695	+125	+98	+62	+119	+62	+54	+18	+75	+18
355	400	+1250	+680														
400	450	+1390	+760	+198	+135	+535	+135	+765	+135	+108	+68	+131	+68	+60	+20	+83	+20
450	500	+1470	+840														

unit : μm

Nominal Diameter mm		H6		H7		H8		H9		H10		H11		JS6		J6	
High	Low	High	Low	High	Low	High	Low	High	Low	High	Low	High	Low	High	Low	High	Low
+6	0	+10	0	+14	0	+25	0	+40	0	+60	0	+3	-3	+2	-4	—	3
+8	0	+12	0	+18	0	+30	0	+48	0	+75	0	+4	-4	+5	-3	3	6
+9	0	+15	0	+22	0	+36	0	+58	0	+90	0	+4.5	-4.5	+5	-4	6	10
+11	0	+18	0	+27	0	+43	0	+70	0	+110	0	+5.5	-5.5	+6	-5	10	18
+13	0	+21	0	+33	0	+52	0	+84	0	+130	0	+6.5	-6.5	+8	-5	18	30
+16	0	+25	0	+39	0	+62	0	+100	0	+160	0	+8	-8	+10	-6	30	40
+19	0	+30	0	+46	0	+74	0	+120	0	+190	0	+9.5	-9.5	+13	-6	50	65
+22	0	+35	0	+54	0	+87	0	+140	0	+220	0	+11	-11	+16	-6	80	100
+25	0	+40	0	+63	0	+100	0	+160	0	+250	0	+12.5	-12.5	+18	-7	120	140
+29	0	+46	0	+72	0	+115	0	+185	0	+290	0	+14.5	-14.5	+22	-7	140	160
+32	0	+52	0	+81	0	+130	0	+210	0	+320	0	+16	-16	+25	-7	160	180
+36	0	+57	0	+89	0	+140	0	+230	0	+360	0	+18	-18	+29	-7	180	200
+40	0	+63	0	+97	0	+155	0	+250	0	+400	0	+20	-20	+33	-7	200	225
																225	250
																250	280
																280	315
																315	355
																355	400
																400	450
																450	500

Nominal Diameter mm		JS7		J7		K5		K6		K7		M6		M7		N6	
Over	Incl.	High	Low	High	Low	High	Low	High	Low	High	Low	High	Low	High	Low	High	Low
—	3	+5	-5	+4	-6	0	-4	0	-6	0	-10	-2	-8	-2	-12	-4	-10
3	6	+6	-6	+6	-6	0	-5	+2	-6	+3	-9	-1	-9	0	-12	-5	-13
6	10	+7	-7	+8	-7	+1	-5	+2	-7	+5	-10	-3	-12	0	-15	-7	-16
10	18	+9	-9	+10	-8	+2	-6	+2	-9	+6	-12	-4	-15	0	-18	-9	-20
18	30	+10	-10	+12	-9	+1	-8	+2	-11	+6	-15	-4	-17	0	-21	-11	-24
30	40	+12	-12	+14	-11	+2	-9	+3	-13	+7	-18	-4	-20	0	-25	-12	-28
40	50																
50	65	+15	-15	+18	-12	+3	-10	+4	-15	+9	-21	-5	-24	0	-30	-14	-33
65	80																
80	100	+17	-17	+22	-13	+2	-13	+4	-18	+10	-25	-6	-28	0	-35	-16	-38
100	120																
120	140	+20	-20	+26	-14	+3	-15	+4	-21	+12	-28	-8	-33	0	-40	-20	-45
140	160																
160	180																
180	200	+23	-23	+30	-16	+2	-18	+5	-24	+13	-33	-8	-37	0	-46	-22	-51
200	225																
225	250																
250	280	+26	-26	+36	-16	+3	-20	+5	-27	+16	-36	-9	-41	0	-52	-25	-57
280	315																
315	355	+28	-28	+39	-18	+3	-22	+7	-29	+17	-40	-10	-46	0	-57	-26	-62
355	400																
400	450	+31	-31	+43	-20	+2	-25	+8	-32	+18	-45	-10	-50	0	-63	-27	-67
450	500																

unit : μm

Nominal Diameter mm		N7		P6		P7		R7		S7	
High	Low	High	Low	High	Low	High	Low	High	Low	High	Low
-4	-14	-6	-12	-6	-16	-10	-20	-14	-24	—	3
-4	-16	-9	-17	-8	-20	-11	-23	-15	-27	3	6
-4	-19	-12	-21	-9	-24	-13	-28	-17	-32	6	10
-5	-23	-15	-26	-11	-29	-16	-34	-21	-39	10	18
-7	-28	-18	-31	-14	-35	-20	-41	-27	-48	18	30
-8	-33	-21	-37	-17	-42	-25	-50	-34	-59	30	40
-8	-39	-26	-45	-21	-51	-30	-60	-42	-72	40	50
-9	-39									50	65
-10	-45	-30	-52	-24	-59	-38	-73	-58	-93	65	80
-10										80	100
-12	-52	-36	-61	-28	-68	-48	-88	-77	-117	100	120
-12										120	140
-14	-60	-41	-70	-33	-79	-50	-90	-85	-125	140	160
-14										160	180
-14	-66	-47	-79	-36	-88	-60	-106	-105	-151	180	200
-16	-73	-51	-87	-41	-98	-63	-109	-113	-159	200	225
-16										225	250
-17	-80	-55	-95	-45	-108	-67	-113	-123	-169	250	280
-17										280	315
-17	-87	-61	-107	-49	-119	-74	-126	-138	-190	315	355
-17										355	400
-17	-93	-67	-117	-53	-130	-78	-130	-150	-202	400	450
-17										450	500



● N-lbf Conversion Table

1N = 0.224809 lbf 1lbf = 4.44822 N

N		lbf
4.448	1	0.225
8.896	2	0.450
13.345	3	0.674
17.793	4	0.899
22.241	5	1.124
26.689	6	1.349
31.138	7	1.574
35.586	8	1.798
40.034	9	2.023
44.482	10	2.248
48.930	11	2.473
53.379	12	2.698
57.827	13	2.923
62.275	14	3.147
66.723	15	3.372
71.171	16	3.597
75.620	17	3.822
80.068	18	4.047
84.516	19	4.271
88.964	20	4.496
93.413	21	4.721
97.861	22	4.946
102.31	23	5.171
106.76	24	5.395
111.21	25	5.620
115.65	26	5.845
120.10	27	6.070
124.55	28	6.295
129.00	29	6.519
133.45	30	6.744
137.89	31	6.969
142.34	32	7.194
146.79	33	7.419

N		lbf
151.24	34	7.643
155.69	35	7.868
160.14	36	8.093
164.58	37	8.318
169.03	38	8.543
173.48	39	8.768
177.93	40	8.992
182.38	41	9.217
186.83	42	9.442
191.27	43	9.667
195.72	44	9.892
200.17	45	10.116
204.62	46	10.341
209.07	47	10.566
213.51	48	10.791
217.96	49	11.016
222.41	50	11.240
226.86	51	11.465
231.31	52	11.690
235.76	53	11.915
240.20	54	12.140
244.65	55	12.364
249.10	56	12.589
253.55	57	12.814
258.00	58	13.039
262.44	59	13.264
266.89	60	13.489
271.34	61	13.713
275.79	62	13.938
280.24	63	14.163
284.69	64	14.388
289.13	65	14.613
293.58	66	14.837

N		lbf
298.03	67	15.062
302.48	68	15.287
306.93	69	15.512
311.38	70	15.737
315.82	71	15.961
320.27	72	16.186
324.72	73	16.411
329.17	74	16.636
333.62	75	16.861
338.06	76	17.085
342.51	77	17.310
346.96	78	17.535
351.41	79	17.760
355.86	80	17.985
360.31	81	18.210
364.75	82	18.434
369.20	83	18.659
373.65	84	18.884
378.10	85	19.109
382.55	86	19.334
386.99	87	19.558
391.44	88	19.783
395.89	89	20.008
400.34	90	20.233
404.79	91	20.458
409.24	92	20.682
413.68	93	20.907
418.13	94	21.132
422.58	95	21.357
427.03	96	21.582
431.48	97	21.806
435.93	98	22.031
440.37	99	22.256

How to use : For example, to convert 20 N into lbf, find the number 20 in the center of the first column. By referring to the lbf column on the right, it will be found that 20 N equals 4.496 lbf.
 To convert 20 lbf into N, refer to the N column on the left and it will be found that 20 lbf equals 88.964 N.

● N-kgf Conversion Table

1N = 0.1019716 kgf 1kgf = 9.80665 N

N		kgf
9.8066	1	0.1020
19.613	2	0.2039
29.420	3	0.3059
39.227	4	0.4079
49.033	5	0.5099
58.840	6	0.6118
68.647	7	0.7138
78.453	8	0.8158
88.260	9	0.9177
98.066	10	1.0197
107.87	11	1.1217
117.68	12	1.2237
127.49	13	1.3256
137.29	14	1.4276
147.10	15	1.5296
156.91	16	1.6315
166.71	17	1.7335
176.52	18	1.8355
186.33	19	1.9375
196.13	20	2.0394
205.94	21	2.1414
215.75	22	2.2434
225.55	23	2.3453
235.36	24	2.4473
245.17	25	2.5493
254.97	26	2.6513
264.78	27	2.7532
274.59	28	2.8552
284.39	29	2.9572
294.20	30	3.0591
304.01	31	3.1611
313.81	32	3.2631
323.62	33	3.3651

N		kgf
333.43	34	3.4670
343.23	35	3.5690
353.04	36	3.6710
362.85	37	3.7729
372.65	38	3.8749
382.46	39	3.9769
392.27	40	4.0789
402.07	41	4.1808
411.88	42	4.2828
421.69	43	4.3848
431.49	44	4.4868
441.30	45	4.5887
451.11	46	4.6907
460.91	47	4.7927
470.72	48	4.8946
480.53	49	4.9966
490.33	50	5.0986
500.14	51	5.2006
509.95	52	5.3025
519.75	53	5.4045
529.56	54	5.5065
539.37	55	5.6084
549.17	56	5.7104
558.98	57	5.8124
568.79	58	5.9144
578.59	59	6.0163
588.40	60	6.1183
598.21	61	6.2203
608.01	62	6.3222
617.82	63	6.4242
627.63	64	6.5262
637.43	65	6.6282
647.24	66	6.7301

N		kgf
657.05	67	6.8321
666.85	68	6.9341
676.66	69	7.0360
686.47	70	7.1380
696.27	71	7.2400
706.08	72	7.3420
715.89	73	7.4439
725.69	74	7.5459
735.50	75	7.6479
745.31	76	7.7498
755.11	77	7.8518
764.92	78	7.9538
774.73	79	8.0558
784.53	80	8.1577
794.34	81	8.2597
804.15	82	8.3617
813.95	83	8.4636
823.76	84	8.5656
833.57	85	8.6676
843.37	86	8.7696
853.18	87	8.8715
862.99	88	8.9735
872.79	89	9.0755
882.60	90	9.1774
892.41	91	9.2794
902.21	92	9.3814
912.02	93	9.4834
921.83	94	9.5853
931.63	95	9.6873
941.44	96	9.7893
951.25	97	9.8912
961.05	98	9.9932
970.86	99	10.0952

How to use : For example, to convert 20 N into kgf, find the number 20 in the center of the first column. By referring to the kgf column on the right, it will be found that 20 N equals 2.0394 kgf.

To convert 20 kgf into N, refer to the N column on the left and it will be found that 20 kgf equals 196.13 N.



● Temperature Conversion Table

$$C = \frac{5}{9} (F-32) \quad F = 32 + \frac{9}{5} C$$

°C			°F			°C			°F		
-73.3	-100	-148.0	-2.2	28	82.4	16.1	61	141.8	34.4	94	201.2
-62.2	- 80	-112.0	-1.7	29	84.2	16.7	62	143.6	35.0	95	203.0
-51.1	- 60	- 76.0	-1.1	30	86.0	17.2	63	145.4	35.6	96	204.8
-40.0	- 40	- 40.0	-0.6	31	87.8	17.8	64	147.2	36.1	97	206.6
-28.9	- 20	- 4.0	0	32	89.6	18.3	65	149.0	36.7	98	208.4
-17.8	0	32.0	0.6	33	91.4	18.9	66	150.8	37.2	99	210.2
-17.2	1	33.8	1.1	34	93.2	19.4	67	152.6	37.8	100	212
-16.7	2	35.6	1.7	35	95.0	20.0	68	154.4	43.3	110	230
-16.1	3	37.4	2.2	36	96.8	20.6	69	156.2	48.9	120	248
-15.6	4	39.2	2.8	37	98.6	21.1	70	158.0	54.4	130	266
-15.0	5	41.0	3.3	38	100.4	21.7	71	159.8	60.0	140	284
-14.4	6	42.8	3.9	39	102.2	22.2	72	161.6	65.6	150	302
-13.9	7	44.6	4.4	40	104.0	22.8	73	163.4	71.1	160	320
-13.3	8	46.4	5.0	41	105.8	23.3	74	165.2	76.7	170	338
-12.8	9	48.2	5.6	42	107.6	23.9	75	167.0	82.2	180	356
-12.2	10	50.0	6.1	43	109.4	24.4	76	168.8	87.8	190	374
-11.7	11	51.8	6.7	44	111.2	25.0	77	170.6	93.3	200	392
-11.1	12	53.6	7.2	45	113.0	25.6	78	172.4	121.1	250	482
-10.6	13	55.4	7.8	46	114.8	26.1	79	174.2	149	300	572
-10.0	14	57.2	8.3	47	116.6	26.7	80	176.0	177	350	662
- 9.4	15	59.0	8.9	48	118.4	27.2	81	177.8	204	400	752
- 8.9	16	60.8	9.4	49	120.2	27.8	82	179.6	232	450	842
- 8.3	17	62.6	10.0	50	122.0	28.3	83	181.4	260	500	932
- 7.8	18	64.4	10.6	51	123.8	28.9	84	183.2	288	550	1022
- 7.2	19	66.2	11.1	52	125.6	29.4	85	185.0	316	600	1112
- 6.7	20	68.0	11.7	53	127.4	30.0	86	186.8	343	650	1202
- 6.1	21	69.8	12.2	54	129.2	30.6	87	188.6	371	700	1292
- 5.6	22	71.6	12.8	55	131.0	31.1	88	190.4	399	750	1382
- 5.0	23	73.4	13.3	56	132.8	31.7	89	192.2	427	800	1472
- 4.4	24	75.2	13.9	57	134.6	32.2	90	194.0	454	850	1562
- 3.9	25	77.0	14.4	58	136.4	32.8	91	195.8	482	900	1652
- 3.3	26	78.8	15.0	59	138.2	33.3	92	197.6	510	950	1742
- 2.8	27	80.6	15.6	60	140.0	33.9	93	199.4	538	1000	1832

How to use : For example, to convert 20°C into °F, find the number 20 in the center of the first column. By referring the °F column on the right, it will be found that 20°C equals 68.0°F.
 To convert 20°F into °C, refer to the °C column on the left and it will be found that 20°F equals -6.7°C.

● Grease names and the characteristics (Reference)

Sort	Name	Supplier	Thickener of metallic soap	Consistency	Dropping point (°C)	Service range ⁽¹⁾ (°C)	Remarks
General purpose	ALVANIA GREASE No.1	SHELL	Li	326	180	-35~+120	General, Centralized greasing
	ALVANIA GREASE No.2	SHELL	Li	273	182	-25~+120	General, Centralized greasing
	ALVANIA GREASE No.3	SHELL	Li	232	183	-20~+135	General
	DAPHNE EPONEX GREASE No.2	IDEMITSU	Li	276	195	-20~+120	General
	COSMO GREASE DYNAMAX No.2	COSMO	Li	280	188	-20~+120	General
	MULTINOC GREASE 2	NIPPON OIL	Li	278	212	-30~+125	General
	MOBILAX GREASE No.2	MOBIL	Li	280	196	-35~+120	General
Low temperature	ALVANIA GREASE RA	SHELL	Li	252	183	-40~+130	Low temperature
	BEACON 325	ESSO	Li	280	193	⁽⁺¹⁶⁰⁾ -60~+120	Low temperature, Low torque
	ISOFLEX LDS 18 SPECIAL A	KLÜBER	Li	280	≥185	-60~+130	Low temperature, High speed, Extreme pressure
	ISOFLEX SUPER LDS 18	KLÜBER	Li	280	≥185	-60~+130	Low temperature, High speed, Low noise
	LT GREASE No.2	JAPAN ENERGY	Li	275	181	-50~+150	Low temperature
Wide temperature range	TEMPREX N3	ESSO	Li Complex	235	≥300	⁽⁺²⁰⁰⁾ -20~+160	Wide temperature range, High temperature
	AEROSHELL GREASE 7	SHELL	Microgel	288	≥260	-73~+149	Wide temperature range, Low temperature
	MULTEMP PS No.2	KYODO YUSHI	Li	275	190	-50~+130	Wide temperature range, For low temperature & low noise
	MULTEMP SRL	KYODO YUSHI	Li	242	192	-50~+150	Wide temperature range, For low temperature & low noise
	MULTINOC WIDE No.2	NIPPON OIL	Li+special Na	247	203	-40~+135	Wide temperature range
Extreme pressure	ALVANIA EP-2	SHELL	Li	276	187	-20~+110	Extreme pressure, Centralized greasing
	MOLYKOTE BR2-PLUS	DOW CORNING	Li	265	185	-30~+150	With MoS ₂ , Extreme pressure
	MOLUB-ALLOY #777-2	CASTROL	Li	280	182	0~+135	With MoS ₂ , Extreme pressure
Others	G 40M	SHIN-ETSU	Li	260	≥200	-30~+200	Wide temperature range, Superior at high temperature with stable anti-oxidation and water proof, Chemically inert
	G 40H	SHIN-ETSU	Li	220	≥200	-30~+200	Wide temperature range, Superior at high temperature with stable anti-oxidation and water proof, Chemically inert
	KRYTOX 240AD	DU PONT	Fluorinated	275	None	-30~+288	Stabl at high temperature, Chemically inert, Anti-solvent
	BARRIERTA L55/2	KLÜBER	Fluorinated	No.2	None	⁽⁺²⁵⁰⁾ -35~+220	General, Low evaporation at high temperature, Chemically inert
	BARRIERTA IMI/V	KLÜBER	Fluorinated	No.2	None	-50~+220	For high vacuum
	DEMNUM GREASE L-200	DAIKIN	Fluorinated	280	None	-60~+300	Stabl at high temperature, Anti-solvent, Chemically inert
	DOLIUM GREASE R	SHELL	Polyurea	281	249	-30~+150	Heat resistant, Superior at high temperature with stable anti-oxidation
STAMINA GREASE RL2	SHELL	Polyurea	268	271	-20~+180	Heat resistant, Superior at high temperature with stable anti-oxidation	

Note⁽¹⁾ : Figures in parentheses show the maximum allowable temperature in very short time operation, and they are not applicable for continuous operation.

Remark When using these products, see individual manufacturer's catalogs.

SERVICE NETWORK OF IKO PRODUCTS

NIPPON THOMPSON CO., LTD.

■ Head office :19-19 Takanawa 2-chome Minato-ku,
Tokyo 108-8586, Japan

Phone :+81 (0)3-3448-5850

Fax :+81 (0)3-3447-7637

E-mail :ntt@ikonet.co.jp

URL :http://www.ikont.co.jp/eg/

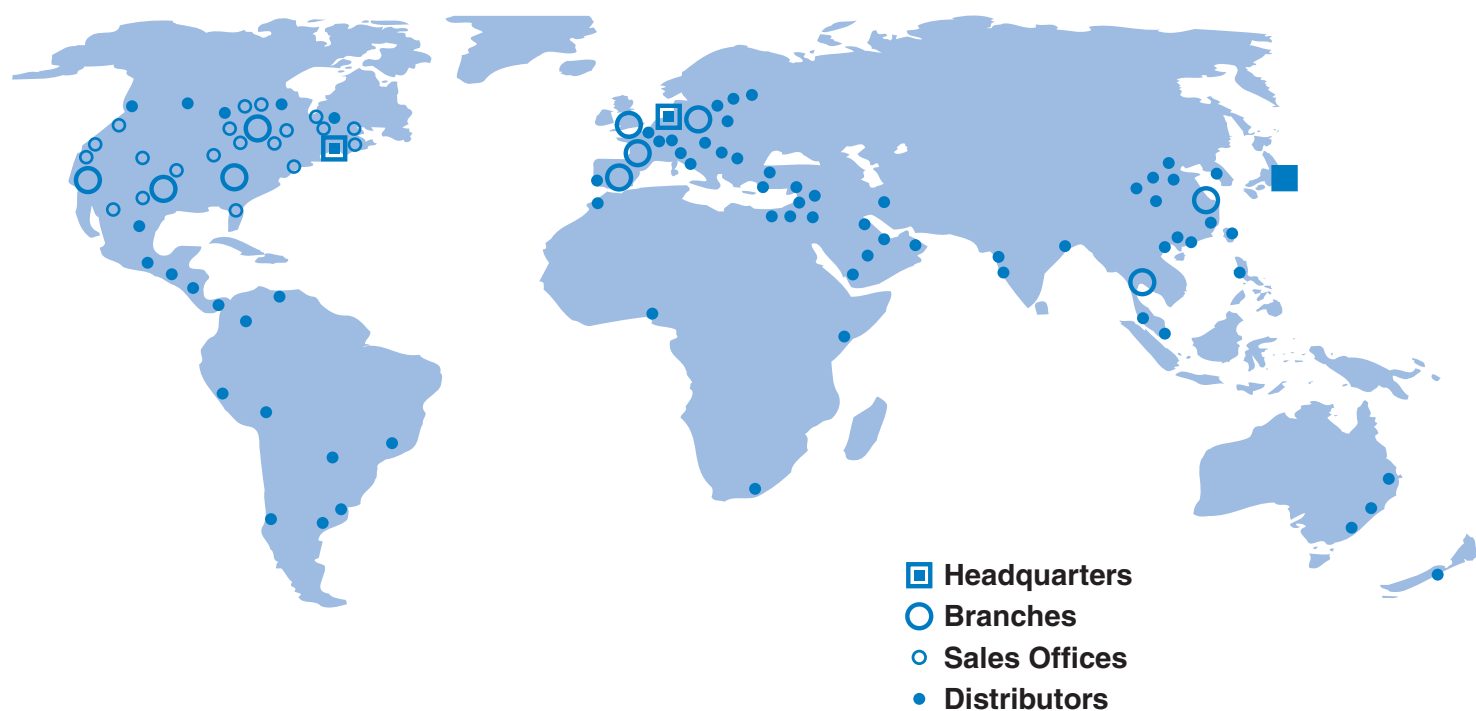
Plant :Gifu, Kamakura

Nippon Thompson Co., Ltd.

○ ASEAN REPRESENTATIVE OFFICE
586 Luang Road, Pomprab
Pomprab Satrupai, Bangkok
Thailand 10100
Phone: +66 (0)-2623-3699
Fax: +66 (0)-2623-0716
E-mail: iko@anet.net.th

○ CHINA REPRESENTATIVE OFFICE
Shanghai Apollo Business Center 619
1440 Yan An C. Road, Shanghai 200040
People's Republic of China
Phone: +86 (0)21-6248-1120
Fax: +86 (0)21-6248-4782

Overseas Subsidiary Companies



IKO International, Inc.

East coast

▣ 91 Walsh Drive
Parsippany, NJ 07054
U.S.A.
Phone: +1 973-402-0254
Toll Free: 1-800-922-0337
Fax: +1 973-402-0441
E-mail: eco@ikonet.co.jp

Midwest

○ 500 East Thorndale Avenue
Wood Dale, IL 60191
U.S.A.
Phone: +1 630-766-6464
Toll Free: 1-800-323-6694
Fax: +1 630-766-6869
E-mail: mwo@ikonet.co.jp

West coast

○ 20170 South Western Avenue
Torrance, CA 90501
U.S.A.
Phone: +1 310-609-3988
Toll Free: 1-800-252-3665
Fax: +1 310-609-3916
E-mail: wco@ikonet.co.jp

Southeast

○ 2150 Boggs Road, Suite 100
Duluth, GA 30096
U.S.A.
Phone: +1 770-418-1904
Toll Free: 1-800-874-6445
Fax: +1 770-418-9403
E-mail: seo@ikonet.co.jp

Southwest

○ 8105 N. Beltline Road
Suite 130, Irving, TX 75063
U.S.A.
Phone: +1 972-929-1515
Toll Free: 1-800-295-7886
Fax: +1 972-915-0060
E-mail: swo@ikonet.co.jp

Nippon Thompson Europe B.V.

The Netherlands

▣ Sheffieldstraat 35-39
3047 AN Rotterdam
The Netherlands
Phone: +31 (0)10-4626868
Fax: +31 (0)10-4626099
E-mail: nte@ikonet.co.jp

Germany

○ Mündelheimer Weg 56
40472 Düsseldorf
Germany
Phone: +49 (0)211-414061
Fax: +49 (0)211-427693
E-mail: ntd@ikonet.co.jp

Donaustauer Str. 200
93059 Regensburg
Germany
Phone: +49 (0)941-447737
Fax: +49 (0)941-447747

Gruben Str.95c
66540 Neunkirchen
Germany
Phone: +49 (0)6821-742535
Fax: +49 (0)6821-742536

UK

○ 2 Vincent Avenue, Crownhill
Milton Keynes Bucks MK8 OAB
United Kingdom
Phone: +44 (0)1908-566144
Fax: +44 (0)1908-565458
E-mail: sales@iko.co.uk

Spain

○ Autovia Madrid-Barcelona, Km. 43,700
Polig. Ind. AIDA, A-8, Ofic. 2, 1^a
19200-Azuqueca de Henares
Guadalajara, Spain
Phone: +34 949-263390
Fax: +34 949-263113
E-mail: nts@ikonet.co.jp

France

○ Roissypole Le Dôme
2 rue de La Haye
BP 15950 Tremblay en France
95733 Roissy C. D. G. Cedex
France
Phone: +33 (0)1-48165739
Fax: +33 (0)1-48165746
E-mail: ntf@ikonet.co.jp