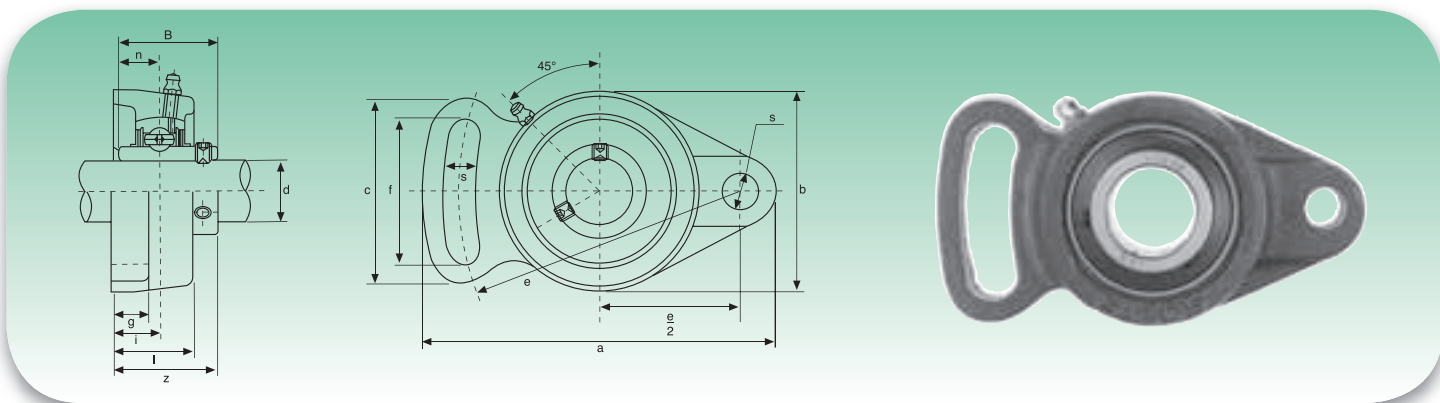


SUPPORTI A FLANGIA ORIENTABILI - ADJUSTABLE FLANGE UNITS



UCFA2 Serie normale - Standard duty



Tipo Type	Dimensioni - Dimensions													Bull. fiss. Bolt Size	Coefficienti di carico (N) Load ratings (N)		Cuscinetto Bearing	Supporto Housing	Peso Weight
	d	a	e	i	g	l	s	b	z	f	c	B	n		Dinamico C Dynamic C	Statico C ₀ Static C ₀			
	mm/inch														mm/inch				
UCFA201	12	98	78	15	12	25,5	10	60	33,3	40	50	31	12,7	M8	12160	6318	UC201	FA204	0,50
UCFA201-8	1/2	355/64	35/64	19/32	15/32	1	25/64	23/8	15/16	137/64	131/32	1,2205	0,500	5/16			UC201-8		0,49
UCFA202	15	98	78	15	12	25,5	10	60	33,3	40	50	31	12,7	M8	12160	6318	UC202	FA204	0,49
UCFA202-9	9/16	355/64	35/64	19/32	15/32	1	25/64	23/8	15/16	137/64	131/32	1,2205	0,500	5/16			UC202-9		0,49
UCFA202-10	5/8	355/64	35/64	19/32	15/32	1	25/64	23/8	15/16	137/64	131/32	1,2205	0,500	5/16			UC202-10		0,49
UCFA203	17	98	78	15	12	25,5	10	60	33,3	40	50	31	12,7	M8	12160	6318	UC203	FA204	0,48
UCFA203-11	11/16	355/64	35/64	19/32	15/32	1	25/64	23/8	15/16	137/64	131/32	1,2205	0,500	5/16			UC203-11		0,47
UCFA204	20	98	78	15	12	25,5	10	60	33,3	40	50	31	12,7	M8	12160	6318	UC204	FA204	0,46
UCFA204-12	3/4	355/64	35/64	19/32	15/32	1	25/64	23/8	15/16	137/64	131/32	1,2205	0,500	5/16			UC204-12		0,46
UCFA205	25	124	98	16	14	27	13	70	35,8	51	65	34,1	14,3	M10			UC205		0,66
UCFA205-13	13/16																UC205-13		0,70
UCFA205-14	7/8	47/8	355/64	5/8	35/64	11/6	33/64	23/4	113/32	21/64	29/16	1,3425	0,563	3/8	13300	7457	UC205-14	FA205	0,69
UCFA205-15	15/16																UC205-15		0,67
UCFA205-16	1																UC205-16		0,66
UCFA206	30	141	115	18	14	31	13	83	40,2	58	72	38,1	15,9	M10			UC206		0,93
UCFA206-17	11/16																UC206-17		0,96
UCFA206-18	11/8	535/64	417/32	45/64	35/64	17/32	33/64	317/64	119/32	29/32	227/32	1,5000	0,626	3/8	18525	10735	UC206-18	FA206	0,95
UCFA206-19	13/16																UC206-19		0,93
UCFA206-20	1 1/4																UC206-20		0,92
UCFA207	35	155	128	19	16	34	15	96	44,4	66	82	42,9	17,5	M12			UC207		1,46
UCFA207-20	1 1/4																UC207-20		1,52
UCFA207-21	15/16	67/64	53/64	3/4	5/8	111/32	19/32	325/32	1 1/4	219/32	315/64	1,6890	0,689	7/16	24415	14630	UC207-21	FA207	1,49
UCFA207-22	13/8																UC207-22		1,46
UCFA207-23	17/16																UC207-23		1,43
UCFA208	40	171	142	21	16	38	15	105	51,2	71	87	49,2	19	M12			UC208		1,78
UCFA208-24	1 1/2	47/64	519/32	53/64	5/8	1 1/2	19/32	49/64	21/64	251/64	327/64	1,9370	0,748	7/16	27645	16910	UC208-24	FA208	1,82
UCFA208-25	19/16																UC208-25		1,79
UCFA209	45	179	146	22	18	40	17	111	52,2	72	90	49,2	19	M14			UC209		2,03
UCFA209-26	15/8																UC209-26		2,13
UCFA209-27	111/16	73/64	5 3/4	55/64	45/64	137/64	43/64	43/8	21/16	253/64	335/64	1,9370	0,748	1/2	32395	20235	UC209-27	FA209	2,09
UCFA209-28	1 3/4																UC209-28		2,05
UCFA210	50	189	155	22	18	40	17	116	54,6	76	94	51,6	19	M14			UC210		2,23
UCFA210-29	113/16																UC210-29		2,35
UCFA210-30	17/8	77/16	67/64	55/64	45/64	137/64	43/64	49/16	25/32	3	345/64	2,0315	0,748	1/2	33345	22135	UC210-30	FA210	2,30
UCFA210-31	115/16																UC210-31		2,25
UCFA210-32	2																UC210-32		2,21
UCFA211	55	216	182	25	20	44	17	133	58,4	86	104	55,6	22,2	M14			UC211		3,2
UCFA211-32	2																UC211-32		4,5
UCFA211-33	21/16	8 1/2	711/64	63/64	25/32	147/64	43/64	551/64	25/16	325/64	43/32	2,1890	0,874	1/2	41230	27930	UC211-33	FA211	4,20
UCFA211-34	21/8																UC211-34		4,10
UCFA211-35	23/16																UC211-35		4,00
UCFA212	60	240	202	29	20	48	19	140	68,7	100	118	65,1	25,4	M16			UC212		-
UCFA212-36	2 1/4																UC212-36		-
UCFA212-37	25/16	929/64	761/64	19/64	25/32	17/8	3/4	5 1/2	223/32	315/16	441/64	2,5630	1,000	5/8	49780	34390	UC212-37	FA212	-
UCFA212-38	23/8																UC212-38		-
UCFA212-39	27/16																UC212-39		-
UCFA213	65	250	210	30	20	50	19	155	69,7	102	122	65,1	25,4	M16			UC213		-
UCFA213-40	2 1/2																UC213-40	FA213	-
UCFA213-41	29/16	927/32	817/64	13/16	25/32	131/32	3/4	63/32	2 3/4	41/64	451/64	2,5630	1,000	5/8	54340	38095	UC213-41		-

Disponibile in acciaio inox Supporto: AISI 304 - Cuscinetto: AISI 440C o 420C - Available stainless steel Housing: AISI 304 - Bearing: AISI 440C or 420C
 Disponibile su richiesta con cuscinetto SA (SAFA) - Available under request with SA bearing (SAFA)