

SERIE A MAGLIA PIANA

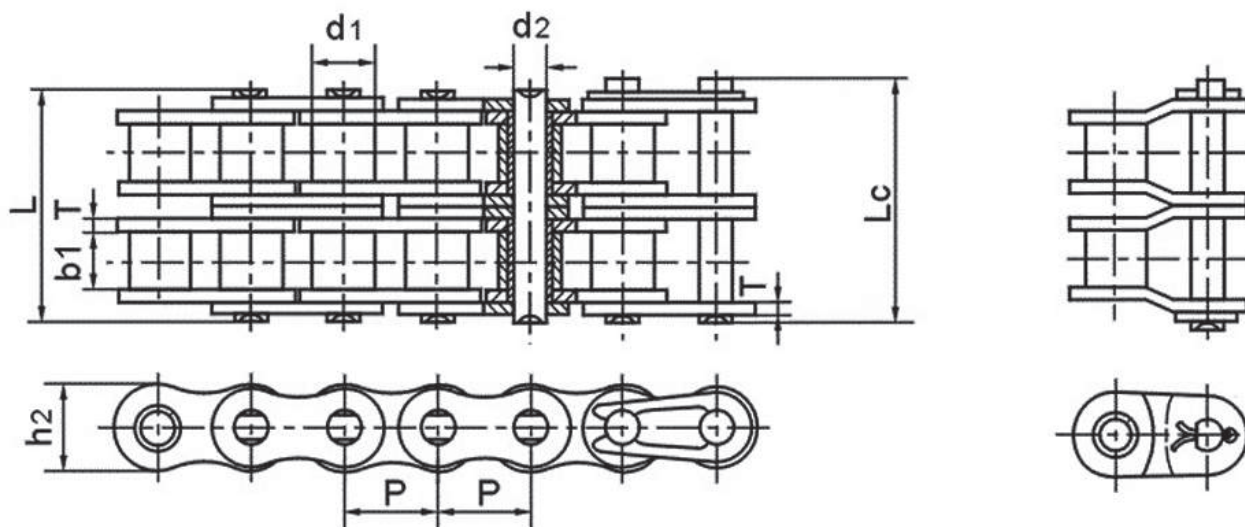
STRAIGHT SIDE PLATES SERIES

DIN/ISO code	Tipo	Passo	Diametro rullo	Largh. tra piastre	Diametro perno	Lunghezza perni		Largh. Piastre	Spess. Piastre	Resist. Trazione	Resist. Trazione	Peso al metro	Carico di lavoro
		Pitch	Roller diameter	Width inn plates	Pin diameter	Pin lenght		Plate depth	Plate thickn.	Tensile strenght	Tensile strenght	Weight x meter	Work load
	Type	P	d1 max	b1 min	d2 max	L max	Lc max	h2 max	t/T max	Q min.	Qo med.	Q	KN max
		mm	mm	mm	mm	mm	mm	mm	mm	mm	KN	KN	kg/m
04 B 1	6 x 2,8	6,000	4,00	2,80	1,85	6,80	7,80	5,00	0,60	3,00	3,20	0,11	0,60
05 B 1	8 x 3	8,000	5,00	3,00	2,31	8,20	8,90	7,10	0,80	5,00	5,90	0,20	1,00
06 B 1	3/8" x 7/32"	9,525	6,35	5,72	3,28	13,15	14,10	8,20	1,30	9,00	10,40	0,44	1,80
08 B 1	1/2" x 5/16"	12,700	8,51	7,75	4,45	16,70	18,20	11,80	1,60	18,00	19,40	0,69	3,60
10 B 1	5/8" x 3/8"	15,875	10,16	9,65	5,08	19,50	20,90	14,70	1,70	22,40	27,50	0,93	4,48
12 B 1	3/4" x 7/16"	19,050	12,07	11,68	5,72	22,50	24,20	16,00	1,85	29,00	32,20	1,23	5,80
16 B 1	1" x 17,02	24,500	15,88	17,02	8,28	36,10	37,20	21,00	4,0/3,2	60,00	72,80	2,71	12,00
20 B 1	1 1/4" x 3/4"	31,750	19,05	19,56	10,19	41,30	45,00	26,40	4,5/3,5	95,00	106,70	3,83	19,00
24 B 1	1 1/2" x 1"	38,100	25,40	25,40	14,63	53,40	57,80	33,40	6,0/4,8	160,00	178,00	7,10	32,00
28 B 1	1 3/4" x 1 1/4"	44,450	27,94	30,99	15,90	65,10	69,50	37,00	7,5/6,0	200,00	222,00	9,45	40,00
32 B 1	2" x 1 1/4"	50,800	29,21	30,99	17,81	66,00	71,00	42,00	7,0/6,0	250,00	277,50	9,90	50,00
081 1	1/2" x 1/8"	12,700	7,75	3,30	3,66	10,00	11,50	9,80	1,00	8,00	9,60	0,35	1,60
083 1	1/2" x 3/16"	12,700	7,77	4,76	3,96	12,90	14,10	12,00	1,30	12,00	14,20	0,45	2,40
084 1	1/2" x 1/4"	12,700	7,77	4,76	3,96	13,10	14,50	12,00	1,50	14,40	16,10	0,55	2,88

SERIE A MAGLIA PIANA - STRAIGHT SIDE PLATES SERIES

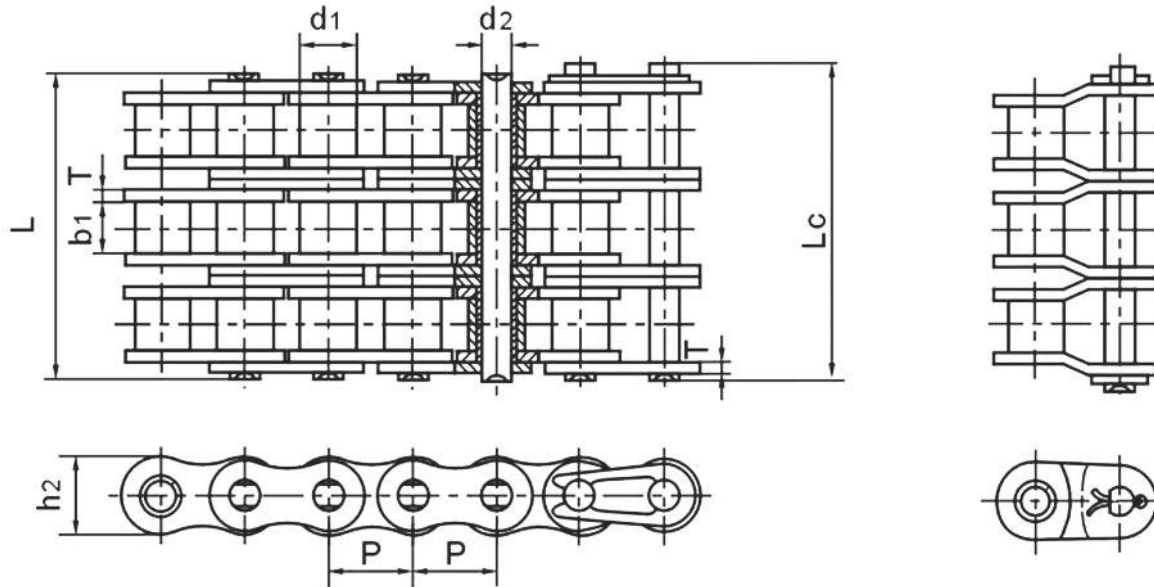
C 08 B 1	1/2" x 5/16"	12,700	8,51	7,75	4,45	16,70	18,20	11,80	1,60	18,00	19,40	0,69	3,60
C 10 B 1	5/8" x 3/8"	15,875	10,16	9,65	5,08	19,50	20,90	14,70	1,70	22,40	27,50	0,93	4,48
C 12 B 1	3/4" x 7/16"	19,050	12,07	11,68	5,72	22,50	24,20	16,00	1,85	29,00	32,20	1,23	5,80
C 16 B 1	1" x 17,02	24,500	15,88	17,02	8,28	36,10	37,20	21,00	4,0/3,2	60,00	72,80	2,71	12,00

CATENA 'ISO' DOPPIA - 'ISO' CHAIN DUPLEX



DIN/ISO code	Tipo	Passo	Diametro rullo	Largh. tra piastre	Diametro perno	Lunghezza perni		Largh. Piastre	Spess. Piastre	Resist. Trazione	Resist. Trazione	Peso al metro	Carico di lavoro
		Pitch	Roller diameter	Width inn plates	Pin diameter	Pin lenght		Plate depth	Plate thickn.	Tensile strenght	Tensile strenght	Weight x meter	Work load
	Type	P	d1 max	b1 min	d2 max	L max	Lc max	h2 max	t/T max	Q min.	Qo med.	Q	KN max
		mm	mm	mm	mm	mm	mm	mm	mm	mm	KN	KN	kg/m
05 B 2	8 x 3	8,000	5,00	3,00	2,31	13,90	14,50	7,10	0,80	7,80	10,20	0,33	1,56
06 B 2	3/8 " x 7/32"	9,525	6,35	5,72	3,28	23,40	24,40	8,20	1,30	16,90	18,70	0,80	3,38
08 B 2	1/2" x 5/16"	12,700	8,51	7,75	4,45	31,20	32,20	11,80	1,60	32,00	38,70	1,34	6,40
10 B 2	5/8" x 3/8"	15,875	10,16	9,65	5,08	36,10	37,50	14,70	1,70	44,50	56,20	1,84	8,90
12 B 2	3/4" x 7/16"	19,050	12,07	11,68	5,72	42,00	43,60	16,00	1,85	57,80	66,10	2,45	11,56
16 B 2	1" x 17,02	24,500	15,88	17,02	8,28	68,00	69,30	21,00	4,0/3,2	106,00	133,00	5,42	21,20
20 B 2	1 1/4" x 3/4"	31,750	19,05	19,56	10,19	77,80	81,50	26,40	4,5/3,5	170,00	211,20	7,57	34,00
24 B 2	1 1/2" x 1"	38,100	25,40	25,40	14,63	101,70	106,20	33,40	6,0/4,8	280,00	319,20	13,76	56,00
28 B 2	1 3/4" x 1 1/4"	44,450	27,94	30,99	15,90	124,60	129,10	37,00	7,5/6,0	360,00	406,80	18,70	72,00
32 B 2	2" x 1 1/4"	50,800	29,21	30,99	17,81	124,60	129,60	42,00	7,0/6,0	450,00	508,50	19,50	90,00

CATENA 'ISO' TRIPLA - 'ISO' CHAIN TRIPLEX



DIN/ISO code	Tipo	Passo	Diametro rullo	Largh. tra piastre	Diametro perno	Lunghezza perni		Largh. Piastre	Spess. Piastre	Resist. Trazione	Resist. Trazione	Peso al metro	Carico di lavoro
		Pitch	Roller diameter	Width inn plates	Pin diameter	Pin lenght		Plate depth	Plate thickn.	Tensile strenght	Tensile strenght	Weight x meter	Work load
	Type	P	d1 max	b1 min	d2 max	L max	Lc max	h2 max	t/T max	Q min.	Qo med.	Q	KN max
		mm	mm	mm	mm	mm	mm	mm	mm	KN	KN	kg/m	KN
06 B 3	3/8 " x 7/32"	9,525	6,35	5,72	3,28	33,50	34,60	8,20	1,30	24,90	30,10	1,16	4,98
08 B 3	1/2" x 5/16"	12,700	8,51	7,75	4,45	45,10	46,10	11,80	1,60	47,50	57,80	2,03	9,50
10 B 3	5/8" x 3/8"	15,875	10,16	9,65	5,08	52,70	54,10	14,70	1,70	66,70	84,50	2,77	13,34
12 B 3	3/4" x 7/16"	19,050	12,07	11,68	5,72	61,50	63,10	16,00	1,85	86,70	101,80	3,71	17,34
16 B 3	1" x 17,02	24,500	15,88	17,02	8,28	99,80	101,20	21,00	4,0/3,2	160,00	203,70	8,13	32,00
20 B 3	1 1/4" x 3/4"	31,750	19,05	19,56	10,19	114,20	117,90	26,40	4,5/3,5	250,00	290,00	11,30	50,00
24 B 3	1 1/2" x 1"	38,100	25,40	25,40	14,63	150,10	154,60	33,40	6,0/4,8	425,00	493,00	20,57	85,00
28 B 3	1 3/4" x 1 1/4"	44,450	27,94	30,99	15,90	184,20	188,70	37,00	7,5/6,0	530,00	609,50	27,95	106,00
32 B 3	2" x 1 1/4"	50,800	29,21	30,99	17,81	183,20	188,20	42,00	7,0/6,0	670,00	770,50	29,10	134,00