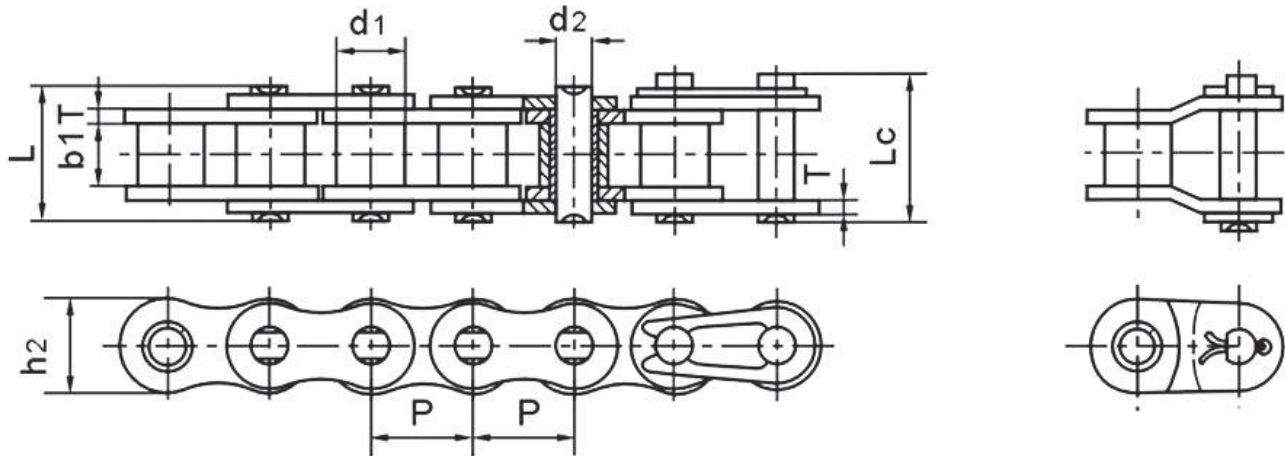
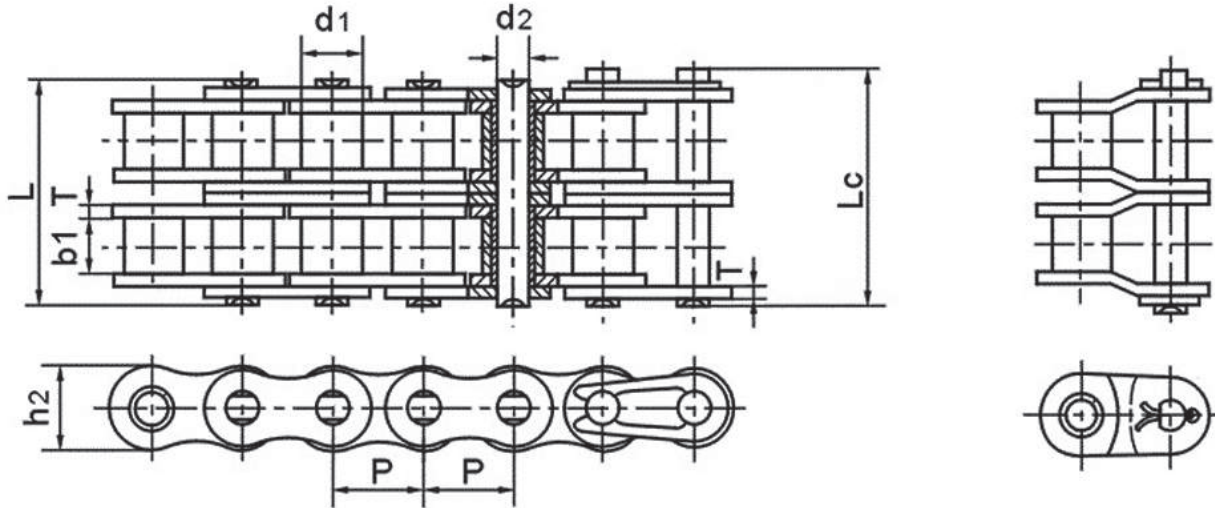


CATENA 'ASA' SEMPLICE - 'ASA' CHAIN SIMPLEX



ASA code	Tipo Type	Passo	Diametro rullo	Largh. tra piastre	Diametro perno	Lunghezza perni		Largh. Piastre	Spess. Piastre	Resist. Trazione	Resist. Trazione	Peso al metro	Carico di lavoro
		Pitch	Roller diameter	Width inn plates	Pin diameter	Pin lenght		Plate depth	Plate thickn.	Tensile strenght	Tensile strenght	Weight x meter	Work load
		P	d1 max	b1 min	d2 max	L max	Lc max	h2 max	t/T max	Q min.	Qo med.	Q	KN max
		mm	mm	mm	mm	mm	mm	mm	mm	KN	KN	kg/m	KN
35 - 1	3/8" x 3/16"	9,525	5,08	4,77	3,58	12,40	13,30	9,00	1,30	7,90	10,80	0,35	1,58
40 - 1	1/2" x 5/16"	12,700	7,95	7,85	3,96	16,60	17,80	12,00	1,50	14,10	17,50	0,62	2,82
50 - 1	5/8" x 3/8"	15,875	10,16	9,40	5,08	20,70	22,20	15,09	2,03	22,20	29,40	1,02	4,44
50 - 1H	5/8" x 3/8"	15,875	10,16	9,40	5,08	22,10	23,40	15,09	2,43	22,20	30,20	1,13	4,44
60 - 1	3/4" x 1/2"	19,050	11,91	12,57	5,94	25,90	27,70	18,00	2,42	31,80	41,50	1,50	6,36
60 - 1H	3/4" x 1/2"	19,050	11,91	12,57	5,94	29,20	31,00	18,00	3,20	31,80	42,70	1,79	6,36
80 - 1	1" x 5/8"	25,400	15,88	15,75	7,92	32,70	35,00	24,00	3,20	56,70	69,40	2,60	11,34
80 - 1H	1" x 5/8"	25,400	15,88	15,75	7,92	36,20	37,70	24,00	4,00	56,70	71,40	3,10	11,34
100 - 1	1 1/4" x 3/4"	31,750	19,05	18,90	9,53	40,40	44,70	30,00	4,00	88,50	109,20	4,17	17,70
100 - 1H	1 1/4"	31,750	19,05	18,90	9,53	43,60	46,90	30,00	4,80	88,50	112,40	4,52	17,70
120 - 1	1 1/2" x 1"	38,100	22,23	25,22	11,10	50,30	54,30	36,20	4,80	127,00	156,30	6,11	25,40
120 - 1H	1 1/2" x 1"	38,100	22,23	25,22	11,10	53,30	57,50	36,20	5,60	127,00	160,50	6,70	25,40
140 - 1	1 3/4" x 1 1/4"	44,450	25,40	25,22	12,70	54,40	59,00	42,00	5,60	172,40	212,00	7,50	34,48
140 - 1H	1 3/4" x 1 1/4"	44,450	25,40	25,22	12,70	57,40	63,00	42,00	6,40	172,40	214,80	8,90	34,48
160 - 1	2" x 1 1/4"	50,800	28,58	31,55	14,27	64,80	69,60	48,00	6,40	226,80	278,90	10,10	45,36

CATENA 'ASA' DOPPIA - 'ASA' CHAIN DUPLEX



ASA code	Tipo	Passo	Diametro rullo	Largh. tra piastre	Diametro perno	Lunghezza perni		Largh. Piastre	Spess. Piastre	Resist. Trazione	Resist. Trazione	Peso al metro	Carico di lavoro
		Pitch	Roller diameter	Width inn plates	Pin diameter	Pin lenght		Plate depth	Plate thckn.	Tensile strenght	Tensile strenght	Weight x meter	Work load
	Type	P	d1 max	b1 min	d2 max	L max	Lc max	h2 max	t/T max	Q min.	Qo med.	Q kg/m	KN max
		mm	mm	mm	mm	mm	mm	mm	mm	KN	KN	kg/m	KN
35 - 2	3/8" x 3/16"	9,525	5,08	4,77	3,58	22,50	23,30	9,00	1,30	15,80	19,70	0,68	3,16
40 - 2	1/2" x 5/16"	12,700	7,95	7,85	3,96	31,00	32,20	12,00	1,50	28,20	35,90	1,26	5,64
50 - 2	5/8" x 3/8"	15,875	10,16	9,40	5,08	38,90	40,40	15,09	2,03	44,40	58,10	2,00	8,88
60 - 2	3/4" x 1/2"	19,050	11,91	12,57	5,94	48,80	50,50	18,00	2,42	63,60	82,10	2,89	12,72
80 - 2	1" x 5/8"	25,400	15,88	15,75	7,92	62,70	64,30	24,00	3,20	113,40	141,80	5,22	22,68
100 - 2	1 1/4" x 3/4"	31,750	19,05	18,90	9,53	76,40	80,50	30,00	4,00	177,00	219,40	8,07	35,40
120 - 2	1 1/2" x 1"	38,100	22,23	25,22	11,10	95,80	99,70	36,20	4,80	254,00	314,90	12,13	50,80
140 - 2	1 3/4" x 1 1/4"	44,450	25,40	25,22	12,70	103,30	107,90	42,00	5,60	344,80	427,50	15,14	68,96
160 - 2	2" x 1 1/4"	50,800	28,58	31,55	14,27	123,30	128,10	48,00	6,40	453,60	562,40	20,14	90,72