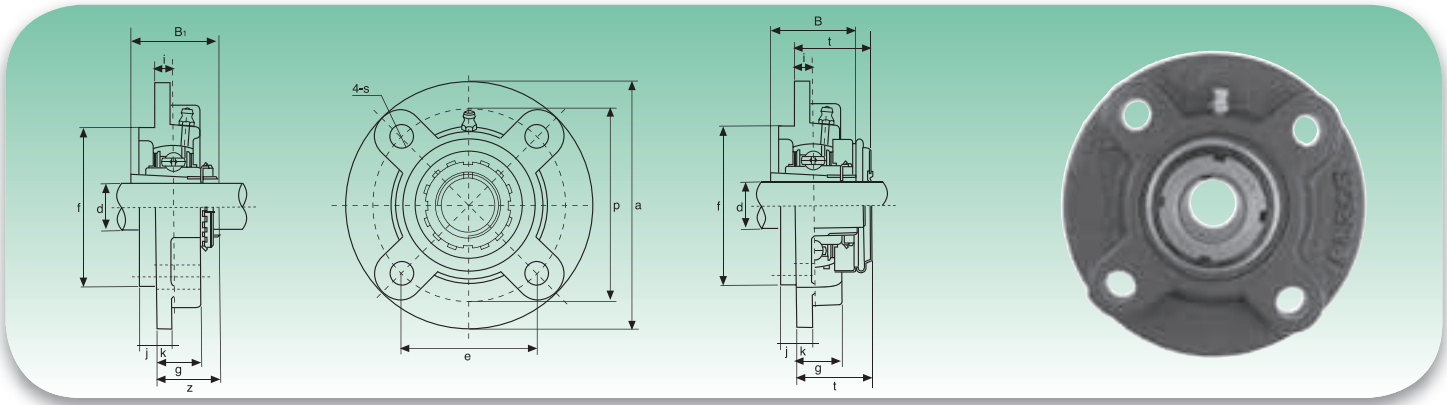


SUPPORTI A FLANGIA TONDA CON BUSSOLA - CARTRIDGE BEARING UNITS WITH ADAPTER SLEEVE



UKFC2 Serie normale - Standard duty



Tipo Type	Dimensioni - Dimensions													Bull. fiss. Bolt Size	Coefficients di carico (N) Load ratings (N)		Cuscinetto Bearing	Supporto Housing	Peso Weight	
	d	a	p	e	i	s	j	k	g	f	z	t	B ₁		Dinamico C Dynamic C _d	Statico C ₀ Static C ₀				kg
	mm/inch														mm/inch					
UKFC205+H2305	20	115	90	63,6	10	12	6	7	21	70	29,5	34	35	M10	13300	7457	UK205+H2305	FC205	1,05	
UKFC205+HE2305	¾	417/32	335/64	2½	15/64	15/32	15/64	9/32	53/64	2,7559	15/32	111/32	1,378	3/8			UK205+HE2305			
UKFC206+H2306	25	125	100	70,7	10	12	8	8	23	80	31	36,5	38	M10	18525	10735	UK206+H2306	FC206	1,34	
UKFC206+HS2306	7/8	459/64	315/16	225/32	25/64	15/32	5/16	5/16	29/32	3,1496	17/32	17/16	1,496	3/8			UK206+HS2306			UK206+HE2306
UKFC207+H2307	30	135	110	77,8	11	14	8	9	26	90	33,5	41	43	M12	24415	14630	UK207+H2307	FC207	1,90	
UKFC207+HS2307	11/8	55/6	421/64	31/16	7/16	35/64	5/16	23/64	11/32	3,5433	15/16	15/8	1,693	7/16			UK207+HS2307			UK207+HE2307
UKFC208+H2308	35	145	120	84,8	11	14	10	9	26	100	35,5	45,5	46	M12	27645	16910	UK208+H2308	FC208	2,24	
UKFC208+HE2308	1¼	545/64	423/32	311/32	7/16	35/64	25/64	23/64	11/32	3,9370	125/64	151/64	1,811	7/16			UK208+HE2308			UK208+HS2308
UKFC209+H2309	40	160	132	93,3	10	16	12	14	26	105	36	44,5	50	M14	32395	20235	UK209+H2309	PFC209	2,83	
UKFC209+HA2309	17/16	619/64	513/64	343/64	25/64	5/8	15/32	35/64	11/32	4,1339	127/64	1¾	1,969	½			UK209+HA2309			UK209+HE2309
UKFC210+H2310	45	165	138	97,6	10	16	12	14	28	110	37,5	47,5	55	M14	33345	22135	UK210+H2310	FC210	3,07	
UKFC210+HS2310	15/8	57/16	327/32	25/64	5/8	15/32	35/64	17/64	4,3307	115/32	17/8	2,165	½	UK210+HS2310			UK210+HA2310			UK210+HE2310
UKFC211+H2311	50	185	150	106,1	13	19	12	15	31	125	41,5	51	59	M16	41230	27930	UK211+H2311	FC211	4,16	
UKFC211+HS2311	17/8	79/32	529/32	43/16	33/64	¾	15/32	19/32	17/32	4,9213	141/64	21/64	2,323	5/8			UK211+HS2311			UK211+HA2311
UKFC212+H2312	55	195	160	113,1	17	19	12	15	36	135	48	61,5	62	M16	49780	34390	UK212+H2312	FC212	4,99	
UKFC212+HS2312	21/8	711/16	619/64	429/64	43/64	¾	15/32	19/32	127/64	5,3150	157/64	227/64	2,441	5/8			UK212+HS2312			UK212+HA2312
UKFC213+H2313	60	205	170	120,2	16	19	14	15	36	145	49	60,5	65	M16	54340	38095	UK213+H2313	FC213	5,56	
UKFC213+HA2313	23/16	85/64	611/16	447/64	5/8	¾	35/64	19/32	127/64	5,5118	115/16	225/64	2,559	5/8			UK213+HA2313			UK213+HE2313
UKFC215+H2315	65	220	184	130,1	18	19	16	18	40	160	53,5	-	73	M16	64030	45885	UK215+H2315	FC215	7,67	
UKFC215+HA2315	27/16	821/32	7¼	51/8	23/32	¾	5/8	23/32	137/64	6,2992	27/64	-	2,874	5/8			UK215+HA2315			UK215+HE2315
UKFC216+H2316	70	240	200	141,4	18	23	16	18	42	170	57	-	78	M20	69065	50350	UK216+H2316	FC216	9,41	
UKFC216+HA2316	211/16	929/64	77/8	59/16	23/32	29/32	5/8	23/32	121/32	6,6929	2¼	-	3,071	¾			UK216+HA2316			UK216+HE2316
UKFC217+H2317	75	250	208	147,1	18	23	18	20	45	180	59	-	82	M20	79800	58805	UK217+H2317	FC217	11,23	
UKFC217+HA2317	215/16	927/32	83/16	551/64	23/32	29/32	23/32	25/32	125/32	7,0866	221/64	-	3,228	¾			UK217+HA2317			UK217+HE2317
UKFC218+H2318	80	265	220	155,5	22	23	18	20	50	190	64,5	-	86	M20	91295	67925	UK218+H2318	FC218	13,34	
UKFC218+HA2318	33/16	107/16	821/32	61/8	55/64	29/32	23/32	25/32	131/32	7,4803	335/64	-	3,386	¾			UK218+HA2318			UK218+HE2318

Bussole HA; HE; HS con filettatura in pollici
Inch dimension adapter sleeves HA; HE; HS