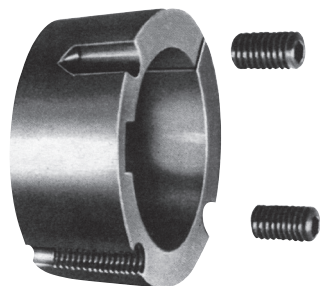
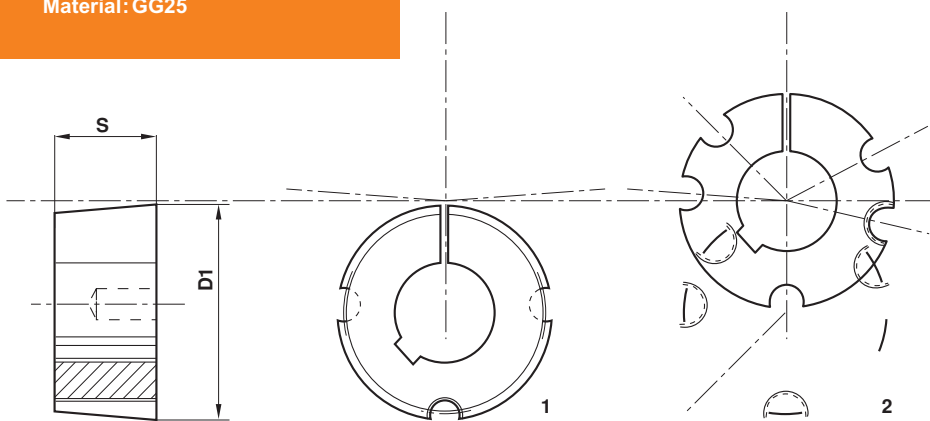




Bussole coniche - Taper bushes  
 Serie metrica standard - Standard metric bore  
 Material: GG25



**Ghisa**  
**EN-GJL-250 UNI EN 1561**



**Cast iron**  
**EN-GJL-250 UNI EN 1561**

**Fori standard serie metrica**

**Esempio:** Codice Foro in mm  
 Ø 14 = 1615014

**Standard stock bores metric series**

**Exemple:** Code symbol Bore  
 in mm Ø 14 = 1615014

Tipo bussola Bush type	Cod.	Foro (ISO E 8) Bore (ISO E 8)														Coppia trasmissibile Transmissible torque	Viti Screws	Coppia di serraggio viti Screw tightening torque	D1	Tipo Type	S	Peso Weight						
		mm																					Nm	B.S.W.	Nm	mm	mm	Kg
<b>1008</b>	1008...	9	10	11	12	14	15	16	18	19	20	22	24*	25*	136	1/4" x 1/2"	5,6	35,0	1	22,3	0,16							
<b>1108</b>	1108...	9	10	11	12	14	15	16	18	19	20	22	24	25	28*	147	1/4" x 1/2"	5,6	38,0	1	22,3	0,16						
<b>1210</b>	1210...	11	12	14	15	16	18	19	20	22	24	25	28	30	32	407	3/8" x 5/8"	19,6	47,5	1	25,4	0,32						
<b>1215</b>	1215...	14	19	20	24	25	28	407	3/8" x 5/8"	19,6	47,5	1	38,1	0,50														
<b>1610</b>	1610...	14	15	16	18	19	20	22	24	25	28	30	32	35	38	40	42*	486	3/8" x 5/8"	19,6	57,0	1	25,4	0,41				
<b>1615</b>	1615...	14	16	18	19	20	22	24	25	28	30	32	35	38	40	42*	486	3/8" x 5/8"	19,6	57,0	1	38,1	0,60					
<b>2012</b>	2012...	14	16	18	19	20	22	24	25	28	30	32	35	38	40	42	45	48	50	808	7/16" x 7/8"	30,4	70,0	1	31,8	0,75		
<b>2517</b>	2517...	16	18	19	20	22	24	25	28	30	32	35	38	40	42	45	48	50	55	60	65*	1310	1/2" x 1"	48	85,5	1	44,5	1,06
<b>3020</b>	3020...	25	28	30	32	35	38	40	42	45	48	50	55	60	65	70	75	2710	5/8" x 1 1/4"	90	108,0	1	50,8	2,50				
<b>3030</b>	3030...	35	38	40	42	45	48	50	55	60	65	70	75	2710	5/8" x 1 1/4"	90	108,0	1	76,2	3,75								
<b>3525</b>	3525...	35	38	40	42	45	48	50	55	60	65	70	75	80	85	90	5060	1/2" x 1 1/2"	112	127,0	2	64,9	4,20					
<b>3535</b>	3535...	35	38	40	42	45	48	50	55	60	65	70	75	80	85	90	5060	1/2" x 1 1/2"	112	127,0	2	88,9	5,13					
<b>4030</b>	4030...	40	42	45	48	50	55	60	65	70	75	80	85	90	8740	5/8" x 1 3/4"	169	146,0	2	76,2	6,75							
<b>4040</b>	4040...	40	42	45	48	50	55	60	65	70	75	80	85	90	95	8740	5/8" x 1 3/4"	169	146,0	2	101,6	7,68						
<b>4535</b>	4535...	65	70	75	80	85	90	95	100	110	120	12400	3/4" x 2"	192	162,0	2	89,0	9,95										
<b>4545</b>	4545...	55	60	65	70	75	80	85	90	95	100	110	12400	3/4" x 2"	192	162,0	2	115,0	10,56									
<b>5040</b>	5040...	70	75	80	85	90	95	100	105	110	115	120	125	14200	7/8" x 2 1/4"	271	177,6	2	101,6	14,20								
<b>5050</b>	5050...	70	75	80	85	90	95	100	105	110	115	120	125	14200	7/8" x 2 1/4"	271	177,6	2	127,0	15,17								

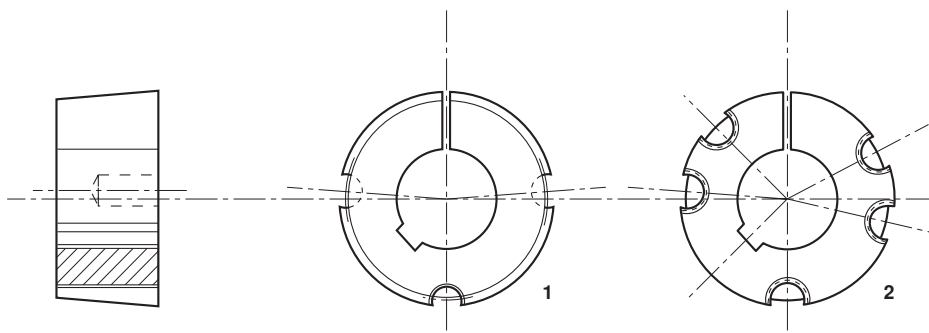
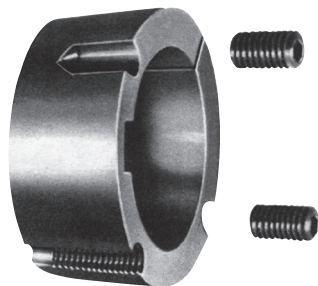
**Dimensioni delle cave (UNI 6604 DIN 6885) con foro standard serie metrica**

**Dimensions of keyways (UNI 6604 DIN 6885) with standard bore metric series**

Over	D		b	Js9	t		Dimensioni delle cave ribassate Dimensions of low profile keyways		
	to	»					D*	b	t
»	10	12	4	± 0,015	D + 1,8		24*	8	D + 1,3
»	12	17	5		D + 2,3				
»	17	22	6		D + 2,8				
»	22	30	8		D + 3,3				
»	30	38	10	± 0,018	D + 3,3	25*	8	D + 1,3	
»	38	44	12		D + 3,3				
»	44	50	14		D + 3,8				
»	50	58	16		D + 4,3				
»	58	65	18	± 0,021	D + 4,4	28*	8	D + 1,3	
»	65	75	20		D + 4,9				
»	75	85	22		D + 5,4				
»	85	95	25		D + 5,4				
»	95	110	28	± 0,026	D + 6,4	42*	12	D + 1,3	
»	110	130	32		D + 7,4				
»	110	130	32		D + 7,4				
»	110	130	32		D + 7,4				

## Bussole coniche - Taper bushes Serie pollici standard - Standard inch bore

Material: GG25



**Ghisa**  
**EN-GJL-250 UNI EN 1561**

**Cast iron**  
**EN-GJL-250 UNI EN 1561**

**Fori standard in pollici**

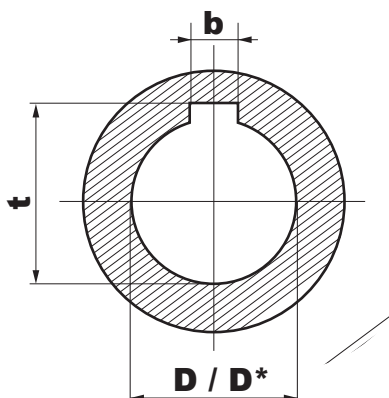
**Standard stock bores series in inches**

Tipo bussola Bush type	Cod.	Foro in pollici (ISO E 8) Bore in inches (ISO E 8)
1008	1008...	3/8" - 1/2" - 5/8" - 3/4" - 7/8" - 1"
1108	1108...	3/8" - 1/2" - 5/8" - 3/4" - 7/8" - 1" - 1 1/8"
1210	1210...	1/2" - 5/8" - 3/4" - 7/8" - 1" - 1 1/8" - 1 1/4"
1215	1215...	1/2" - 5/8" - 3/4" - 7/8" - 1" - 1 1/8" - 1 1/4"
1610	1610...	1/2" - 5/8" - 3/4" - 7/8" - 1" - 1 1/8" - 1 1/4" - 1 3/8" - 1 1/2" - 1 5/8"
1615	1615...	1/2" - 5/8" - 3/4" - 7/8" - 1" - 1 1/8" - 1 1/4" - 1 3/8" - 1 1/2" - 1 5/8"
2012	2012...	3/4" - 7/8" - 1" - 1 1/8" - 1 1/4" - 1 3/8" - 1 1/2" - 1 5/8" - 1 3/4" - 1 7/8" - 2"
2517	2517...	3/4" - 7/8" - 1" - 1 1/8" - 1 1/4" - 1 3/8" - 1 1/2" - 1 5/8" - 1 3/4" - 1 7/8" - 2" - 2 1/8" - 2 1/4" - 2 3/8" - 2 1/2"
3020	3020...	1 1/4" - 1 3/8" - 1 1/2" - 1 5/8" - 1 3/4" - 1 7/8" - 2" - 2 1/8" - 2 1/4" - 2 3/8" - 2 1/2" - 2 5/8" - 2 3/4" - 2 7/8" - 3"
3030	3030...	1 1/4" - 1 3/8" - 1 1/2" - 1 5/8" - 1 3/4" - 1 7/8" - 2" - 2 1/8" - 2 1/4" - 2 3/8" - 2 1/2" - 2 5/8" - 2 3/4" - 2 7/8" - 3"
3525	3525...	1 1/2" - 1 5/8" - 1 3/4" - 1 7/8" - 2" - 2 1/8" - 2 1/4" - 2 3/8" - 2 1/2" - 2 5/8" - 2 3/4" - 2 7/8" - 3" - 3 1/8" - 3 1/4" - 3 3/8" - 3 1/2"
3535	3535...	1 1/2" - 1 5/8" - 1 3/4" - 1 7/8" - 2" - 2 1/8" - 2 1/4" - 2 3/8" - 2 1/2" - 2 5/8" - 2 3/4" - 2 7/8" - 3" - 3 1/8" - 3 1/4" - 3 3/8" - 3 1/2"
4030	4030...	1 3/4" - 1 7/8" - 2" - 2 1/8" - 2 1/4" - 2 3/8" - 2 1/2" - 2 5/8" - 2 3/4" - 2 7/8" - 3" - 3 1/8" - 3 1/4" - 3 3/8" - 3 1/2" - 3 3/4" - 4"
4040	4040...	1 3/4" - 1 7/8" - 2" - 2 1/8" - 2 1/4" - 2 3/8" - 2 1/2" - 2 5/8" - 2 3/4" - 2 7/8" - 3" - 3 1/8" - 3 1/4" - 3 3/8" - 3 1/2" - 3 3/4" - 4"
4535	4535...	2 1/4" - 2 3/8" - 2 1/2" - 2 5/8" - 2 3/4" - 2 7/8" - 3" - 3 1/8" - 3 1/4" - 3 3/8" - 3 1/2" - 3 3/4" - 4" - 4 1/4" - 4 1/2"
4545	4545...	2 1/4" - 2 3/8" - 2 1/2" - 2 5/8" - 2 3/4" - 2 7/8" - 3" - 3 1/8" - 3 1/4" - 3 3/8" - 3 1/2" - 3 3/4" - 4" - 4 1/4" - 4 1/2"
5040	5040...	2 3/4" - 2 7/8" - 3" - 3 1/8" - 3 1/4" - 3 3/8" - 3 1/2" - 3 3/4" - 4" - 4 1/4" - 4 1/2" - 4 3/4" - 5"
5050	5050...	2 3/4" - 2 7/8" - 3" - 3 1/8" - 3 1/4" - 3 3/8" - 3 1/2" - 3 3/4" - 4" - 4 1/4" - 4 1/2" - 4 3/4" - 5"

**Dimensioni delle cave  
(B.S. 46: part. 1: 1958)  
con fori in pollici**

**Dimensions of  
keyways (B.S. 46:  
part. 1: 1958) with  
standard bores in  
inches**

D		b	t
OVER	TO		
1/4"	1/2"	1/8"	D + 1/16"
1/2"	3/4"	3/16"	D + 3/32"
3/4"	1"	1/4"	D + 1/8"
1"	1 1/4"	5/16"	D + 1/8"
1 1/4"	1 1/2"	3/8"	D + 1/8"
1 1/2"	1 3/4"	7/16"	D + 5/32"
1 3/4"	2"	1/2"	D + 5/32"
2"	2 1/2"	5/8"	D + 7/32"
2 1/2"	3"	3/4"	D + 1/4"
3"	3 1/2"	7/8"	D + 5/16"
3 1/2"	4"	1"	D + 3/8"
4"	5"	1 1/4"	D + 7/16"
5"	6"	1 1/2"	D + 1/2"
6"	7"	1 3/4"	D + 5/8"



Dimensioni delle cave ribassate  
Dimensions of low profile keyways

D*	b	t
1" *	1/4"	D + 1/16"
1 1/8" *	5/16"	D + 5/64"
1 5/8" *	7/16"	D + 1/8"