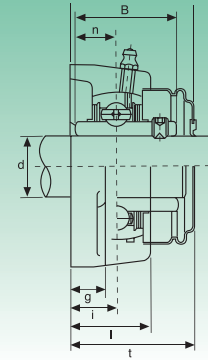
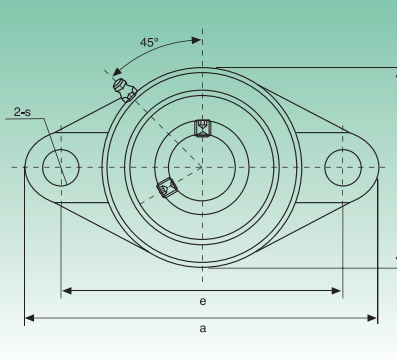
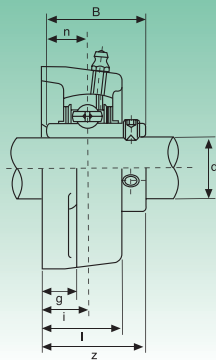




SUPPORTI A FLANGIA OVALE - OVAL BEARING UNITS

UCFL2 Serie normale - Standard duty



Tipo Type	Dimensioni - Dimensions												Bull. fiss. Bolt Size	Coefficients di carico (N) Load ratings (N)		Cuscinetto Bearing	Supporto Housing	Peso Weight
	d	a	e	i	g	l	s	b	z	t	B	n		Dinamico C Dynamic C	Statico C ₀ Static C ₀			
	mm/inch													mm/inch				
UCFL201	12	113	90	15	11	25,5	12	60	33,3	37,5	31	12,7	M10	12160	6318	UC201	FL204	0,45
UCFL201-8	½	47/16	335/64	19/32	7/16	1	15/32	23/8	15/16	131/64	1,2205	0,500	3/8			UC201-8		0,44
UCFL202	15	113	90	15	11	25,5	12	60	33,3	37,5	31	12,7	M10	12160	6318	UC202	FL204	0,44
UCFL202-9	9/16	47/16	335/64	19/32	7/16	1	15/32	23/8	15/16	131/64	1,2205	0,500	3/8			UC202-9		0,44
UCFL202-10	5/8															UC202-10		0,44
UCFL203	17	113	90	15	11	25,5	12	60	33,3	37,5	31	12,7	M10	12160	6318	UC203	FL204	0,43
UCFL203-11	11/16	47/16	335/64	19/32	7/16	1	15/32	23/8	15/16	131/64	1,2205	0,500	3/8			UC203-11		0,42
UCFL204	20	113	90	15	11	25,5	12	60	33,3	37,5	31	12,7	M10	12160	6318	UC204	FL204	0,41
UCFL204-12	¾	47/16	335/64	19/32	7/16	1	15/32	23/8	15/16	131/64	1,2205	0,500	3/8			UC204-12		0,41
UCFL205	25	130	99	16	13	27	16	68	35,8	40	34,1	14,3	M14	13300	7457	UC205	FL205	0,58
UCFL205-13	13/16															UC205-13		0,62
UCFL205-14	7/8	51/8	357/64	5/8	½	11/16	5/8	211/16	113/32	19/16	1,3425	0,563	½			UC205-14		0,61
UCFL205-15	15/16															UC205-15		0,59
UCFL205-16	1															UC205-16		0,58
UCFL206	30	148	117	18	13	31	16	80	40,2	44,5	38,1	15,9	M14	18525	10735	UC206	FL206	0,86
UCFL206-17	11/16															UC206-17		0,89
UCFL206-18	11/8	513/16	439/64	45/64	½	17/32	5/8	35/32	119/32	1¾	1,5000	0,626	½			UC206-18		0,88
UCFL206-19	13/16															UC206-19		0,86
UCFL206-20	1¼															UC206-20		0,85
UCFL207	35	161	130	19	14	34	16	90	44,4	48,5	42,9	17,5	M14	24415	14630	UC207	FL207	1,08
UCFL207-20	1¼															UC207-20		1,14
UCFL207-21	15/16	611/32	51/8	¾	35/64	113/32	5/8	335/64	1¾	129/32	1,6890	0,689	½			UC207-21		1,11
UCFL207-22	13/8															UC207-22		1,08
UCFL207-23	17/16															UC207-23		1,05
UCFL208	40	175	144	21	14	36	16	100	51,2	55,5	49,2	19	M14	27645	16910	UC208	FL208	1,44
UCFL208-24	1½	67/8	543/64	53/64	35/64	113/32	5/8	315/16	21/64	23/16	1,9370	0,748	½			UC208-24		1,48
UCFL208-25	19/16															UC208-25		1,45
UCFL209	45	188	148	22	15	38	19	108	52,2	56,5	49,2	19	M16	32395	20235	UC209	FL209	1,74
UCFL209-26	15/8															UC209-26		1,84
UCFL209-27	111/16	713/32	553/64	55/64	19/32	1½	¾	4¼	21/16	27/32	1,9370	0,748	5/8			UC209-27		1,80
UCFL209-28	1¾															UC209-28		1,76
UCFL210	50	197	157	22	15	40	19	115	54,6	59,5	51,6	19	M16	33345	22135	UC210	FL210	2,10
UCFL210-29	113/16															UC210-29		2,22
UCFL210-30	17/8	7¾	63/16	55/64	19/32	137/64	¾	417/32	25/32	211/32	2,0315	0,748	5/8			UC210-30		2,17
UCFL210-31	115/16															UC210-31		2,12
UCFL210-32	2															UC210-32		2,08
UCFL211	55	224	184	25	18	43	19	130	58,4	63	55,6	22,2	M16	41230	27930	UC211	FL211	2,91
UCFL211-32	2															UC211-32		3,06
UCFL211-33	21/16	813/16	7¼	63/64	23/32	111/16	¾	51/6	25/16	215/32	2,1890	0,874	5/8			UC211-33		3,00
UCFL211-34	21/8															UC211-34		2,95
UCFL211-35	23/16															UC211-35		2,89
UCFL212	60	250	202	29	18	48	23	140	68,7	73,5	65,1	25,4	M20	49780	34390	UC212	FL212	3,74
UCFL212-36	2¼															UC212-36		3,87
UCFL212-37	25/16	927/32	761/64	19/64	23/32	17/8	29/32	5½	223/32	257/64	2,5630	1,000	¾			UC212-37		3,79
UCFL212-38	23/8															UC212-38		3,72
UCFL212-39	27/16															UC212-39		3,65
UCFL213	65	258	210	30	22	50	23	155	69,7	74,5	65,1	25,4	M20	54340	38095	UC213	FL213	4,57
UCFL213-40	2½	105/32	817/64	13/16	7/8	131/32	29/32	63/32	2¾	215/16	2,5630	1,000	¾			UC213-40		4,66
UCFL213-41	29/16															UC213-41		4,57
UCFL214	70	265	216	31	22	54	23	160	75,4	-	74,6	30,2	M20	59090	41895	UC214	FL214	5,11
UCFL214-42	25/8															UC214-42		5,32
UCFL214-43	211/16	107/16	8½	17/32	7/8	21/8	29/32	65/16	231/32	-	2,9370	1,189	¾			UC214-43		5,22
UCFL214-44	2¾															UC214-44		5,12
UCFL215	75	275	225	34	22	56	23	165	78,5	-	77,8	33,3	M20	64030	45885	UC215	FL215	5,37
UCFL215-45	213/16															UC215-45		5,62
UCFL215-46	27/8	1013/16	855/64	111/32	7/8	27/32	29/32	6½	33/32	-	3,0630	1,311	¾			UC215-46		5,51
UCFL215-47	215/16															UC215-47		5,40
UCFL215-48	3															UC215-48		5,28
UCFL216	80	290	233	34	22	58	25	180	83,3	-	82,6	33,3	M22	69065	50350	UC216	FL216	7,20
UCFL216-49	31/16															UC216-49		7,38
UCFL216-50	31/8	1113/32	911/64	111/32	7/8	29/32	63/64	73/32	39/32	-	3,2520	1,311	7/8			UC216-50		7,25
UCFL216-51	31/16															UC216-51		7,12
UCFL217	85	305	248	36	24	63	25	190	87,6	-	85,7	34,1	M22	79800	58805	UC217	FL217	8,61
UCFL217-52	3¾															UC217-52		8,83
UCFL217-53	35/16	12	949/64	127/64	15/16	215/32	63/64	715/32	37/16	-	3,3740	1,343	7/8			UC217-53		8,69
UCFL217-55	37/16															UC217-55		8,40
UCFL218	90	320	265	40	24	68	25	205	96,3	-	96	39,7	M22	91295	67925	UC218	FL218	10,51
UCFL218-56	3½	1219/32	1077/16	137/64	15/16	211/16	63/64	81/16	325/32	-	3,7795	1,5630	7/8			UC218-56		10,62

Disponibile in acciaio inox Supporto: AISI 304 - Cuscinetto: AISI 440C o 420C - Available stainless steel Housing: AISI 304 - Bearing: AISI 440C or 420C
 Disponibile su richiesta con cuscinetto SA (SAFL) - Available under request with SA bearing (SAFL)