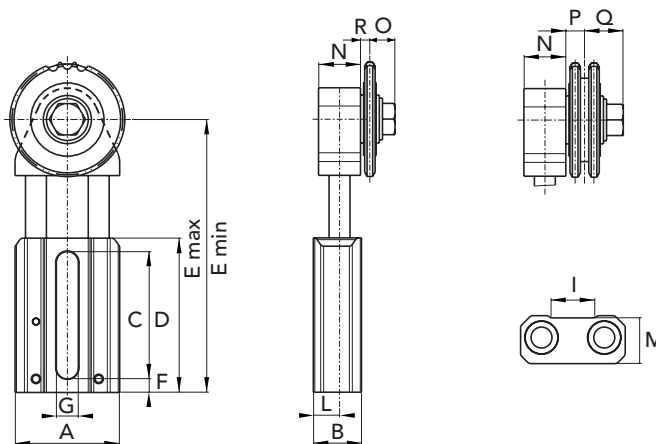




- Tensioner AS with chain tensioner sprockets TN or R
- Dry self-lubricating bushings with standard PTFE
- The quote N is calculated thanks to pressure tests performed in a technical laboratory. The values shown have a tolerance of ± 5%
- On request available with stainless steel pins, springs, plugs and washers



| TYPE         | P. NUMBER SIMPLE | P. NUMBER DOUBLE | Newton | Step chain | TEETH | A  | B    | C  | D   | E min | E max | F   | G    | I    | L    | M    | N  | O    | P    | Q    | R   | WEIGHT Kg. |
|--------------|------------------|------------------|--------|------------|-------|----|------|----|-----|-------|-------|-----|------|------|------|------|----|------|------|------|-----|------------|
| ASR1-3/8"15  | 94021091         | 94021092         | 280    | 3/8x7/32"  | 15    | 50 | 23   | 61 | 74  | 105   | 129   | 6,5 | 10,5 | 20   | 12,5 | 22   | 20 | 11,5 | 11,7 | 16,5 | 6,5 | 0,45       |
| ASR1-1/2"15  | 94021121         | 94021122         | 280    | 1/2"x5/16" | 15    | 50 | 23   | 61 | 74  | 105   | 129   | 6,5 | 10,5 | 20   | 12,5 | 22   | 20 | 12,5 | 14,4 | 19,4 | 7,5 | 0,50       |
| ASR1-5/8"15  | 94021151         | 94021152         | 280    | 5/8"x3/8"  | 15    | 50 | 23   | 61 | 74  | 105   | 129   | 6,5 | 10,5 | 20   | 12,5 | 22   | 20 | 12,5 | 15,8 | 20,8 | 7,5 | 0,70       |
| ASR2-5/8"15  | 94022151         | 94022152         | 460    | 5/8"x3/8"  | 15    | 67 | 28   | 73 | 87  | 133   | 165   | 7   | 12,5 | 25   | 15   | 25,5 | 25 | 12,5 | 15,8 | 20,8 | 7,5 | 0,95       |
| ASR2-3/4"15  | 94022191         | 94022192         | 460    | 3/4"x7/16" | 15    | 67 | 28   | 73 | 87  | 133   | 165   | 7   | 12,5 | 25   | 15   | 25,5 | 25 | 13,5 | 18,2 | 23,2 | 8,5 | 1,15       |
| ASR3-1"12    | 94023251         | 94023252         | 690    | 1"x17 mm   | 12    | 80 | 32,5 | 88 | 104 | 154   | 195   | 8   | 14,5 | 29,5 | 17,5 | 28,5 | 30 | 16,2 | 26,8 | 31,7 | 11  | 1,75       |
| ASTN1-3/8"21 | 940210921        | -                | 280    | 3/8x7/32"  | 21    | 50 | 23   | 61 | 74  | 105   | 129   | 6,5 | 10,5 | 20   | 12,5 | 22   | 20 | 19,7 | -    | -    | 9,2 | 0,47       |
| ASTN1-1/2"16 | 940211216        | -                | 280    | 1/2"x5/16" | 16    | 50 | 23   | 61 | 74  | 105   | 129   | 6,5 | 10,5 | 20   | 12,5 | 22   | 20 | 19,7 | -    | -    | 9,2 | 0,49       |
| ASTN1-5/8"17 | 940211517        | -                | 280    | 5/8"x3/8"  | 17    | 50 | 23   | 61 | 74  | 105   | 129   | 6,5 | 10,5 | 20   | 12,5 | 22   | 20 | 19,7 | -    | -    | 9,2 | 0,68       |
| ASTN2-5/8"17 | 940221517        | -                | 460    | 5/8"x3/8"  | 17    | 67 | 28   | 73 | 87  | 133   | 165   | 7   | 12,5 | 25   | 15   | 25,5 | 25 | 19,7 | -    | -    | 9,2 | 1,04       |



LINEAR CHAIN TENSIONER CHT - ASR CHT - ASTN