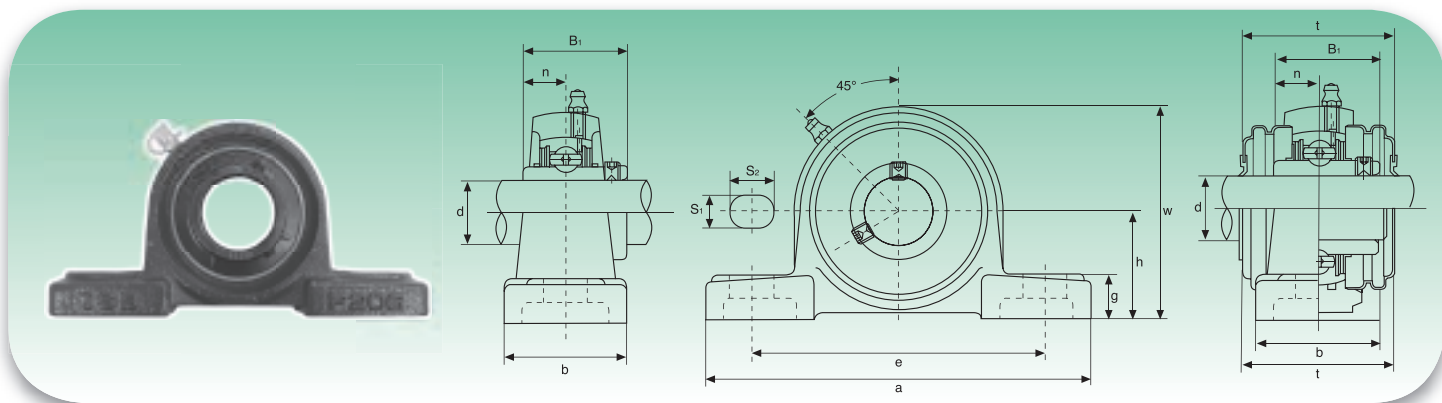




**SUPPORTI RITTI - BEARING UNITS**

**UCP2 Serie normale - Standard duty**



Tipo Type	Dimensioni - Dimensions												Bull. fiss. Bolt Size	Coefficients di carico (N) Load ratings (N)		Cuscinetto Bearing	Supporto Housing	Peso Weight	
	d	h	a	e	b	S <sub>1</sub>	S <sub>2</sub>	g	w	t	B <sub>1</sub>	n		Dinamico C Dynamic C <sub>d</sub>	Statico C <sub>s</sub> Static C <sub>s</sub>				kg
	mm/inch													mm/inch					
UCP201 UCP201-8	12 ½	30,2 13/16	127 5	95 3¾	38 1½	13 ½	19 ¾	14 9/16	62 27/16	44,5 1¾	31 1,2205	12,7 0,500	M10 3/8	12160	6318	UC201 UC201-8	P203	0,69 0,69	
UCP202 UCP202-9 UCP202-10	15 9/16 5/8	30,2 13/16	127 5	95 3¾	38 1½	13 ½	19 ¾	14 9/16	62 27/16	44,5 1¾	31 1,2205	12,7 0,500	M10 3/8	12160	6318	UC202 UC202-9 UC202-10	P203	0,69 0,69 0,69	
UCP203 UCP203-11	17 11/16	30,2 13/16	127 5	95 3¾	38 1½	13 ½	19 ¾	14 9/16	62 27/16	44,5 1¾	31 1,2205	12,7 0,500	M10 3/8	12160	6318	UC203 UC203-11	P203	0,68 0,67	
UCP204 UCP204-12	20 ¾	33,3 15/16	127 5	95 3¾	38 1½	13 ½	19 ¾	14 9/16	65 29/16	44,5 1¾	31 1,2205	12,7 0,500	M10 3/8	12160	6318	UC204 UC204-12	P204	0,66 0,66	
UCP205 UCP205-13 UCP205-14 UCP205-15 UCP205-16	25 13/16 7/8 15/16 1	36,5 17/16	140 5½	105 41/8	38 1½	13 ½	19 ¾	15 19/32	71 225/32	48 157/64	34,1 1,3425	14,3 0,563	M10 3/8	13300	7457	UC205 UC205-13 UC205-14 UC205-15 UC205-16	P205	0,81 0,85 0,83 0,82 0,81	
UCP206 UCP206-17 UCP206-18 UCP206-19 UCP206-20	30 11/16 11/8 13/16 1¼	42,9 111/16	165 6½	121 4¾	48 17/8	17 43/64	20 25/32	17 21/32	84 35/16	53 25/64	38,1 1,5000	15,9 0,626	M14 ½	18525	10735	UC206 UC206-17 UC206-18 UC206-19 UC206-20	P206	1,24 1,27 1,26 1,24 1,23	
UCP207 UCP207-20 UCP207-21 UCP207-22 UCP207-23	35 1¼ 15/16 13/8 17/16	47,6 17/8	167 69/16	127 5	48 17/8	17 43/64	20 25/32	18 45/64	93 321/32	59,5 211/32	42,9 1,6890	17,5 0,689	M14 ½	24415	14630	UC207 UC207-20 UC207-21 UC207-22 UC207-23	P207	1,58 1,64 1,61 1,58 1,55	
UCP208 UCP208-24 UCP208-25	40 1½ 19/16	49,2 115/16	184 7¼	137 513/32	54 21/8	17 43/64	20 25/32	18 45/64	100 315/16	69 223/32	49,2 1,9370	19 0,748	M14 ½	27645	16910	UC208 UC208-24 UC208-25	P208	1,89 1,93 1,90	
UCP209 UCP209-26 UCP209-27 UCP209-28	45 15/8 111/16 1¾	54,0 21/8	190 715/32	146 5¾	54 21/8	17 43/64	20 25/32	20 25/32	106 411/64	69 223/32	49,2 1,9370	19 0,748	M14 ½	32395	20235	UC209 UC209-26 UC209-27 UC209-28	P209	2,14 2,24 2,20 2,14	
UCP210 UCP210-29 UCP210-30 UCP210-31 UCP210-32	50 113/16 17/8 115/16 2	57,2 2¼	206 81/8	159 6¼	60 23/8	20 25/32	23 29/32	21 53/64	113 429/64	74,5 215/16	51,6 2,0315	19 0,748	M16 5/8	33345	22135	UC210 UC210-29 UC210-30 UC210-31 UC210-32	P210	2,66 2,78 2,73 2,68 2,64	
UCP211 UCP211-32 UCP211-33 UCP211-34 UCP211-35	55 2 21/16 21/8 23/16	63,5 2½	219 85/8	171 647/64	60 23/8	20 25/32	23 29/32	23 29/32	125 459/64	76 3	55,6 2,1890	22,2 0,874	M16 5/8	41230	27930	UC211 UC211-32 UC211-33 UC211-34 UC211-35	P211	3,31 3,46 3,40 3,35 3,29	
UCP212 UCP212-36 UCP212-37 UCP212-38 UCP212-39	60 2¼ 25/16 23/8 27/16	69,8 2¾	241 9½	184 7¼	70 234	20 25/32	23 29/32	25 63/64	138 57/16	89 3½	65,1 2,5630	25,4 1,000	M16 5/8	49780	34390	UC212 UC212-36 UC212-37 UC212-38 UC212-39	P212	4,90 5,03 4,95 4,88 4,81	
UCP213 UCP213-40 UCP213-41	65 2½ 29/16	76,2 3	265 107/16	203 8	70 2¾	25 63/64	28 13/32	27 11/16	150 529/32	89 3½	65,1 2,5630	25,4 1,000	M20 ¾	54340	38095	UC213 UC213-40 UC213-41	P213	5,15 5,24 5,15	
UCP214 UCP214-42 UCP214-43 UCP214-44	70 25/8 211/16 2¾	79,4 31/8	266 1015/32	210 817/64	72 227/32	25 63/64	28 13/32	27 11/16	156 69/64	-	74,6 2,9370	30,2 1,189	M20 ¾	59090	41895	UC214 UC214-42 UC214-43 UC214-44	P214	6,20 6,41 6,31 6,21	
UCP215 UCP215-45 UCP215-46 UCP215-47 UCP215-48	75 213/16 27/8 215/16 3	82,6 3¾	275 1053/64	217 835/64	74 229/32	25 63/64	28 13/32	28 13/32	162 63/8	-	77,8 3,0630	33,3 1,311	M20 ¾	64030	45885	UC215 UC215-45 UC215-46 UC215-47 UC215-48	P215	7,16 7,41 7,30 7,19 7,07	
UCP216 UCP216-49 UCP216-50 UCP216-51	80 31/16 31/8 33/16	88,9 3½	292 11½	232 91/8	78 31/16	25 63/64	28 13/32	30 13/16	174 627/32	-	82,6 3,2520	33,3 1,311	M20 ¾	69065	50350	UC216 UC216-49 UC216-50 UC216-51	P216	8,10 8,28 8,15 8,02	
UCP217 UCP217-52 UCP217-53 UCP217-55	85 ¾ 35/16 37/16	95,2 3¾	310 1213/64	247 923/32	83 317/64	25 63/64	28 13/32	32 1¼	185 79/32	-	85,7 3,3740	34,1 1,343	M20 ¾	79800	58805	UC217 UC217-52 UC217-53 UC217-55	P217	9,81 10,03 9,89 9,60	
UCP218 UCP218-56	90 3½	101,6 4	327 127/8	262 105/16	88 315/32	27 11/16	30 13/16	33 119/64	198 751/64	-	96 3,7795	39,7 1,5630	M22 7/8	91295	67925	UC218 UC218-56	P218	11,96 12,07	

Disponibile in acciaio inox Supporto: AISI 304 - Cuscinetto: AISI 440C o 420C - Available stainless steel Housing: AISI 304 - Bearing: AISI 440C or 420C  
Disponibile su richiesta con cuscinetto SA (SAP.) - Available under request with SA bearing (SAP.)