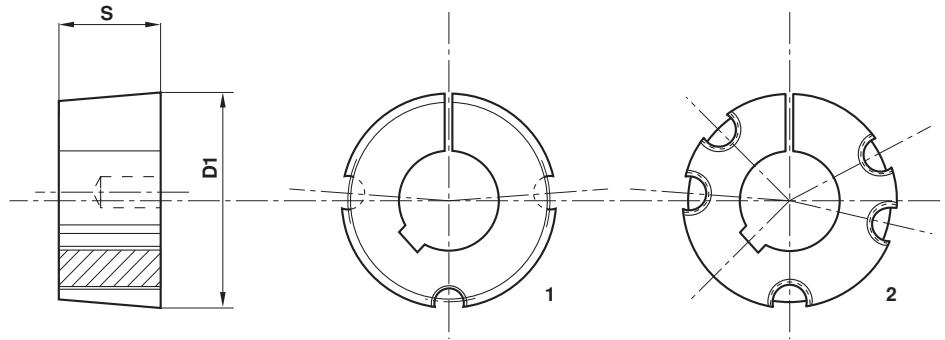
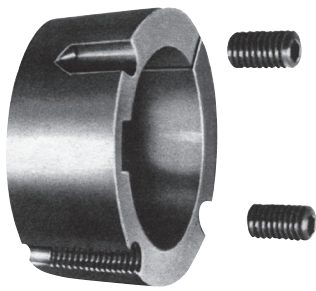


Bussole coniche - Taper bushes Serie metrica standard - Standard metric bore

Material: GG25



Ghisa
EN-GJL-250 UNI EN 1561

Cast iron
EN-GJL-250 UNI EN 1561

Fori standard serie metrica

Standard stock bores metric series

Esempio: Codice Foro in mm
Ø 14 = 1615014

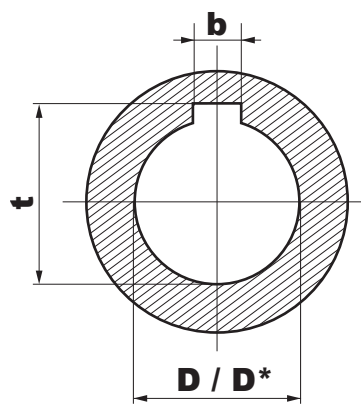
Exemple: Code symbol Bore
in mm Ø 14 = 1615014

Tipo bussola Bush type	Cod.	Foro (ISO E 8) Bore (ISO E 8)	Coppia trasmissibile Transmissible torque	Viti Screws	Coppia di serraggio viti Screw tightening torque	D1	Tipo Type	S	Peso Weight
		mm	Nm	B.S.W.	Nm	mm		mm	Kg
1008	1008...	9 10 11 12 14 15 16 18 19 20 22 24* 25*	136	1/4" x 1/2"	5,6	35,0	1	22,3	0,16
1108	1108...	9 10 11 12 14 15 16 18 19 20 22 24 25 28*	147	1/4" x 1/2"	5,6	38,0	1	22,3	0,16
1210	1210...	11 12 14 15 16 18 19 20 22 24 25 28 30 32	407	3/8" x 5/8"	19,6	47,5	1	25,4	0,32
1215	1215...	14 19 20 24 25 28	407	3/8" x 5/8"	19,6	47,5	1	38,1	0,50
1610	1610...	14 15 16 18 19 20 22 24 25 28 30 32 35 38 40 42*	486	3/8" x 5/8"	19,6	57,0	1	25,4	0,41
1615	1615...	14 16 18 19 20 22 24 25 28 30 32 35 38 40 42*	486	3/8" x 5/8"	19,6	57,0	1	38,1	0,60
2012	2012...	14 16 18 19 20 22 24 25 28 30 32 35 38 40 42 45 48 50	808	7/16" x 7/8"	30,4	70,0	1	31,8	0,75
2517	2517...	16 18 19 20 22 24 25 28 30 32 35 38 40 42 45 48 50 55 60 65*	1310	1/2" x 1"	48	85,5	1	44,5	1,06
3020	3020...	25 28 30 32 35 38 40 42 45 48 50 55 60 65 70 75	2710	5/8" x 1 1/4"	90	108,0	1	50,8	2,50
3030	3030...	35 38 40 42 45 48 50 55 60 65 70 75	2710	5/8" x 1 1/4"	90	108,0	1	76,2	3,75
3525	3525...	35 38 40 42 45 48 50 55 60 65 70 75 80 85 90	5060	1/2" x 1 1/2"	112	127,0	2	64,9	4,20
3535	3535...	35 38 40 42 45 48 50 55 60 65 70 75 80 85 90	5060	1/2" x 1 1/2"	112	127,0	2	88,9	5,13
4030	4030...	40 42 45 48 50 55 60 65 70 75 80 85 90	8740	5/8" x 1 3/4"	169	146,0	2	76,2	6,75
4040	4040...	40 42 45 48 50 55 60 65 70 75 80 85 90 95	8740	5/8" x 1 3/4"	169	146,0	2	101,6	7,68
4535	4535...	65 70 75 80 85 90 95 100 110 120	12400	3/4" x 2"	192	162,0	2	89,0	9,95
4545	4545...	55 60 65 70 75 80 85 90 95 100 110	12400	3/4" x 2"	192	162,0	2	115,0	10,56
5040	5040...	70 75 80 85 90 95 100 105 110 115 120 125	14200	7/8" x 2 1/4"	271	177,6	2	101,6	14,20
5050	5050...	70 75 80 85 90 95 100 105 110 115 120 125	14200	7/8" x 2 1/4"	271	177,6	2	127,0	15,17

**Dimensioni delle cave
(UNI 6604 DIN 6885)
con foro standard
serie metrica**

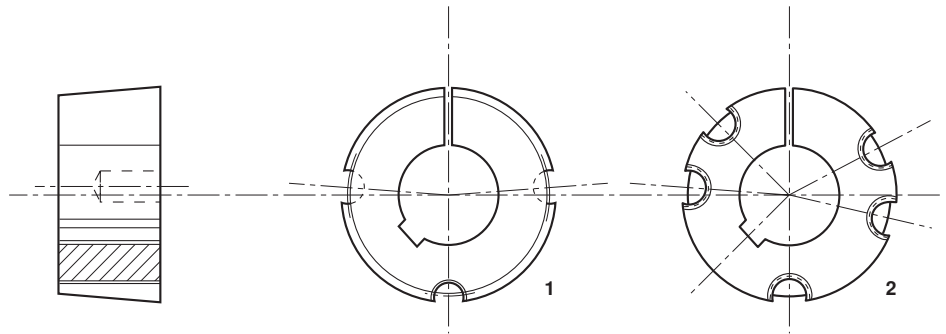
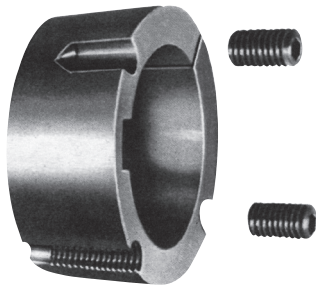
**Dimensions of
keyways (UNI 6604
DIN 6885) with
standard bore metric
series**

Over	D		b	Js9	t	Dimensioni delle cave ribassate Dimensions of low profile keyways		
	to	»				D*	b	t
»	10	12	4	± 0,015	D + 1,8	24*	8	D + 1,3
»	12	17	5		D + 2,3			
»	17	22	6		D + 2,8			
»	22	30	8	± 0,018	D + 3,3	25*	8	D + 1,3
»	30	38	10		D + 3,3			
»	38	44	12	± 0,021	D + 3,3	28*	8	D + 1,3
»	44	50	14		D + 3,8			
»	50	58	16		D + 4,3			
»	58	65	18	± 0,026	D + 4,4	42*	12	D + 1,3
»	65	75	20		D + 4,9			
»	75	85	22		D + 5,4			
»	85	95	25	± 0,031	D + 5,4	65*	18	D + 2,8
»	95	110	28		D + 6,4			
»	110	130	32		D + 7,4			



Bussole coniche - Taper bushes
Serie pollici standard - Standard inch bore

Material: GG25



Ghisa
EN-GJL-250 UNI EN 1561

Cast iron
EN-GJL-250 UNI EN 1561

Fori standard in pollici

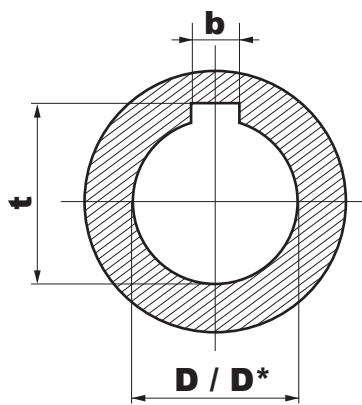
Standard stock bores series in inches

Tipo bussola Bush type	Cod.	Foro in pollici (ISO E 8) Bore in inches (ISO E 8)
1008	1008...	3/8" - 1/2" - 5/8" - 3/4" - 7/8" - 1"
1108	1108...	3/8" - 1/2" - 5/8" - 3/4" - 7/8" - 1" - 1 1/8"
1210	1210...	1/2" - 5/8" - 3/4" - 7/8" - 1" - 1 1/8" - 1 1/4"
1215	1215...	1/2" - 5/8" - 3/4" - 7/8" - 1" - 1 1/8" - 1 1/4"
1610	1610...	1/2" - 5/8" - 3/4" - 7/8" - 1" - 1 1/8" - 1 1/4" - 1 3/8" - 1 1/2" - 1 5/8"
1615	1615...	1/2" - 5/8" - 3/4" - 7/8" - 1" - 1 1/8" - 1 1/4" - 1 3/8" - 1 1/2" - 1 5/8"
2012	2012...	3/4" - 7/8" - 1" - 1 1/8" - 1 1/4" - 1 3/8" - 1 1/2" - 1 5/8" - 1 3/4" - 1 7/8" - 2"
2517	2517...	3/4" - 7/8" - 1" - 1 1/8" - 1 1/4" - 1 3/8" - 1 1/2" - 1 5/8" - 1 3/4" - 1 7/8" - 2" - 2 1/8" - 2 1/4" - 2 3/8" - 2 1/2"
3020	3020...	1 1/4" - 1 3/8" - 1 1/2" - 1 5/8" - 1 3/4" - 1 7/8" - 2" - 2 1/8" - 2 1/4" - 2 3/8" - 2 1/2" - 2 5/8" - 2 3/4" - 2 7/8" - 3"
3030	3030...	1 1/4" - 1 3/8" - 1 1/2" - 1 5/8" - 1 3/4" - 1 7/8" - 2" - 2 1/8" - 2 1/4" - 2 3/8" - 2 1/2" - 2 5/8" - 2 3/4" - 2 7/8" - 3"
3525	3525...	1 1/2" - 1 5/8" - 1 3/4" - 1 7/8" - 2" - 2 1/8" - 2 1/4" - 2 3/8" - 2 1/2" - 2 5/8" - 2 3/4" - 2 7/8" - 3" - 3 1/8" - 3 1/4" - 3 3/8" - 3 1/2"
3535	3535...	1 1/2" - 1 5/8" - 1 3/4" - 1 7/8" - 2" - 2 1/8" - 2 1/4" - 2 3/8" - 2 1/2" - 2 5/8" - 2 3/4" - 2 7/8" - 3" - 3 1/8" - 3 1/4" - 3 3/8" - 3 1/2"
4030	4030...	1 3/4" - 1 7/8" - 2" - 2 1/8" - 2 1/4" - 2 3/8" - 2 1/2" - 2 5/8" - 2 3/4" - 2 7/8" - 3" - 3 1/8" - 3 1/4" - 3 3/8" - 3 1/2" - 3 3/4" - 4"
4040	4040...	1 3/4" - 1 7/8" - 2" - 2 1/8" - 2 1/4" - 2 3/8" - 2 1/2" - 2 5/8" - 2 3/4" - 2 7/8" - 3" - 3 1/8" - 3 1/4" - 3 3/8" - 3 1/2" - 3 3/4" - 4"
4535	4535...	2 1/4" - 2 3/8" - 2 1/2" - 2 5/8" - 2 3/4" - 2 7/8" - 3" - 3 1/8" - 3 1/4" - 3 3/8" - 3 1/2" - 3 3/4" - 4" - 4 1/4" - 4 1/2"
4545	4545...	2 1/4" - 2 3/8" - 2 1/2" - 2 5/8" - 2 3/4" - 2 7/8" - 3" - 3 1/8" - 3 1/4" - 3 3/8" - 3 1/2" - 3 3/4" - 4" - 4 1/4" - 4 1/2"
5040	5040...	2 3/4" - 2 7/8" - 3" - 3 1/8" - 3 1/4" - 3 3/8" - 3 1/2" - 3 3/4" - 4" - 4 1/4" - 4 1/2" - 4 3/4" - 5"
5050	5050...	2 3/4" - 2 7/8" - 3" - 3 1/8" - 3 1/4" - 3 3/8" - 3 1/2" - 3 3/4" - 4" - 4 1/4" - 4 1/2" - 4 3/4" - 5"

Dimensioni delle cave (B.S. 46: part. 1: 1958) con fori in pollici

Dimensions of keyways (B.S. 46: part. 1: 1958) with standard bores in inches

D		b	t
OVER	TO		
1/4"	1/2"	1/8"	D + 1/16"
1/2"	3/4"	3/16"	D + 3/32"
3/4"	1"	1/4"	D + 1/8"
1"	1 1/4"	5/16"	D + 1/8"
1 1/4"	1 1/2"	3/8"	D + 1/8"
1 1/2"	1 3/4"	7/16"	D + 5/32"
1 3/4"	2"	1/2"	D + 5/32"
2"	2 1/2"	5/8"	D + 7/32"
2 1/2"	3"	3/4"	D + 1/4"
3"	3 1/2"	7/8"	D + 5/16"
3 1/2"	4"	1"	D + 3/8"
4"	5"	1 1/4"	D + 7/16"
5"	6"	1 1/2"	D + 1/2"
6"	7"	1 3/4"	D + 5/8"



Dimensioni delle cave ribassate
 Dimensions of low profile keyways

D*	b	t
1"*	1/4"	D + 1/16"
1 1/8 *	5/16"	D + 5/64"
1 5/8 *	7/16"	D + 1/8"