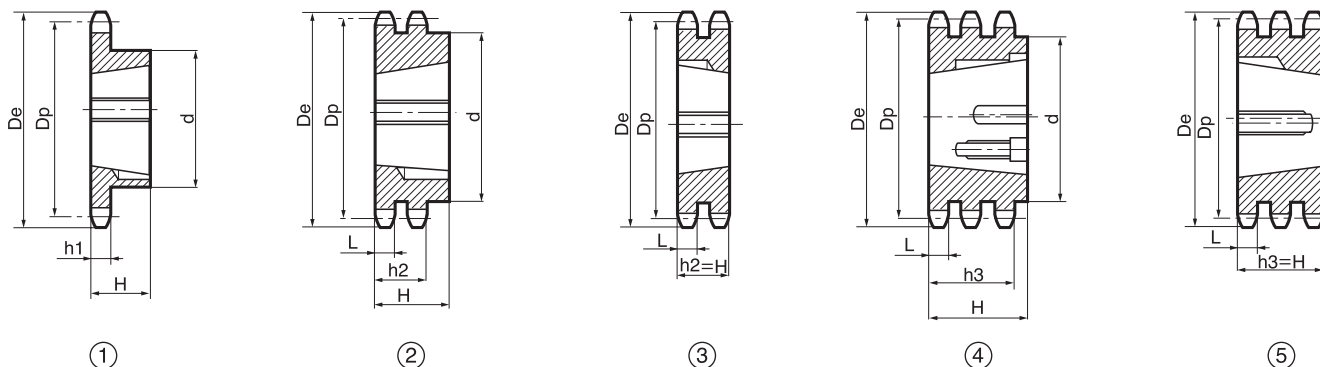
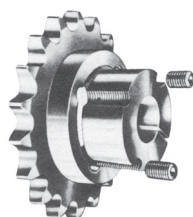


Pignoni per bussole coniche / Taper bored sprockets
Kettenräder für Taper-Spannbuchsen / Pignons à moyeu amovible
Piñones para casquillos cónicos



1" x 17,02 mm - 25,4 x 17,2 mm

16B - 1-2-3 - DIN 8187 - ISO/R 606

| CATENA: | CHAIN: | KETTE: | CHAÎNE: | CADENA: | ISO mm |
|-------------------|----------------|---------------|--------------------|---------------|--------------|
| Passo | Pitch | Teilung | Pas | Paso | 25,40 |
| Larghezza interna | Internal width | Innere Breite | Largeur interieure | Ancho interno | 17,02 |
| Rullo ø | Roller ø | Rollen ø | ø du rouleau | Rodillo ø | 15,88 |

| PIGNONE | SPROCKETS | KETTENRÄDER | PIGNONS | PIÑONES | ISO mm |
|-----------------------------|----------------------------|---------------------------|---------------------------------|-----------------------------|---------------------------|
| Raggio dente r | Tooth radius r | Radius r | Rayon de denture r | Radio diente r | r 26,0 |
| Larghezza raggio C | Radius width C | Breite C | Largeur de rayon C | Ancho radio C | C 2,5 |
| Largh. dente h ₁ | Tooth width h ₁ | Zahnbreite h ₁ | Larg. de denture h ₁ | Ancho diente h ₁ | h₁ 16,2 |
| Largh. dente L | Tooth width L | Zahnbreite L | Larg. de denture L | Ancho diente L | L 15,8 |
| Largh. dente h ₂ | Tooth width h ₂ | Zahnbreite h ₂ | Larg. de denture h ₂ | Ancho diente h ₂ | h₂ 47,7 |
| Largh. dente h ₃ | Tooth width h ₃ | Zahnbreite h ₃ | Larg. de denture h ₃ | Ancho diente h ₃ | h₃ 79,6 |

| Acciaio | | | Steel | | | | Stahl | | | | Acier | | | | Acero = C45E - UNI EN 10083-1 | | | |
|---------|----------------|----------------|----------|-----|----|--------------------------------|--------|----------|-----|--------------------------------|---------|---|----------|--------------------------------|-------------------------------|------|---|--|
| Z | D _e | D _p | Simplex | | | | Duplex | | | | Triplex | | | | | | | |
| | | | cod. | d | H | Esecuz. tipo Type Typ Type Tpo | cod. | d | H | Esecuz. tipo Type Typ Type Tpo | cod. | d | H | Esecuz. tipo Type Typ Type Tpo | | | | |
| 13 | 117,0 | 106,12 | TS 12013 | 73 | 25 | 1610 | 1 | TD 12013 | - | 47,7 | 2012 | 3 | | | | | | |
| 14 | 125,0 | 114,15 | TS 12014 | 76 | 25 | 1610 | 1 | | | | | | | | | | | |
| 15 | 133,0 | 122,17 | TS 12015 | 76 | 25 | 1610 | 1 | TD 12015 | - | 47,7 | 2012 | 3 | | | | | | |
| 16 | 141,0 | 130,20 | TS 12016 | 90 | 32 | 2012 | 1 | | | | | | | | | | | |
| 17 | 149,0 | 138,22 | TS 12017 | 90 | 32 | 2012 | 1 | TD 12017 | - | 47,7 | 2517 | 3 | TT 12017 | - | 79,6 | 2517 | 5 | |
| 18 | 157,0 | 146,28 | TS 12018 | 108 | 45 | 2517 | 1 | | | | | | | | | | | |
| 19 | 165,2 | 154,33 | TS 12019 | 108 | 45 | 2517 | 1 | TD 12019 | - | 47,7 | 2517 | 3 | TT 12019 | - | 79,6 | 3020 | 5 | |
| 20 | 173,2 | 162,38 | TS 12020 | 108 | 45 | 2517 | 1 | | | | | | | | | | | |
| 21 | 181,2 | 170,43 | TS 12021 | 110 | 45 | 2517 | 1 | TD 12021 | 140 | 51,0 | 3020 | 2 | TT 12021 | - | 79,6 | 3030 | 5 | |
| 22 | 189,3 | 178,48 | TS 12022 | 110 | 45 | 2517 | 1 | | | | | | | | | | | |
| 23 | 197,5 | 186,53 | TS 12023 | 110 | 45 | 2517 | 1 | TD 12023 | 140 | 51,0 | 3020 | 2 | TT 12023 | - | 79,6 | 3525 | 5 | |
| 24 | 205,5 | 194,59 | TS 12024 | 110 | 45 | 2517 | 1 | | | | | | | | | | | |
| 25 | 213,5 | 202,66 | TS 12025 | 110 | 45 | 2517 | 1 | TD 12025 | 140 | 51,0 | 3020 | 2 | TT 12025 | - | 79,6 | 3525 | 5 | |
| 26 | 221,6 | 210,72 | TS 12026 | 110 | 45 | 2517 | 1 | | | | | | | | | | | |
| 27 | 229,6 | 218,79 | TS 12027 | 110 | 45 | 2517 | 1 | TD 12027 | 140 | 51,0 | 3020 | 2 | TT 12027 | - | 79,6 | 3525 | 5 | |
| 28 | 237,7 | 226,85 | TS 12028 | 110 | 45 | 2517 | 1 | | | | | | | | | | | |
| 30 | 254,0 | 243,00 | TS 12030 | 140 | 51 | 3020 | 1 | TD 12030 | 140 | 51,0 | 3020 | 2 | TT 12030 | - | 79,6 | 3525 | 5 | |
| 38 | 320,7 | 307,59 | TS 12038 | 140 | 51 | 3020 | 1 | TD 12038 | 140 | 51,0 | 3020 | 2 | TT 12038 | - | 79,6 | 3525 | 5 | |
| 45 | 377,1 | 364,13 | TS 12045 | 140 | 51 | 3020 | 1 | TD 12045 | 140 | 51,0 | 3020 | 2 | TT 12045 | 216 | 79,6 | 4030 | 4 | |
| 57 | 474,0 | 461,07 | TS 12057 | 140 | 51 | 3020 | 1 | TD 12057 | 175 | 65,0 | 3525 | 2 | TT 12057 | 216 | 79,6 | 4030 | 4 | |
| 76 | 627,0 | 614,65 | TS 12076 | 140 | 51 | 3020 | 1 | TD 12076 | 175 | 65,0 | 3525 | 2 | TT 12076 | 216 | 79,6 | 4030 | 4 | |
| 95 | 781,1 | 768,22 | TS 12095 | 140 | 51 | 3020 | 1 | TD 12095 | 215 | 65,0 | 3525 | 2 | TT 12095 | 240 | 79,6 | 4030 | 4 | |
| 114 | 934,3 | 921,81 | TS 12114 | 140 | 76 | 3030 | 1 | TD 12114 | 215 | 102,0 | 4040 | 2 | | | | | | |