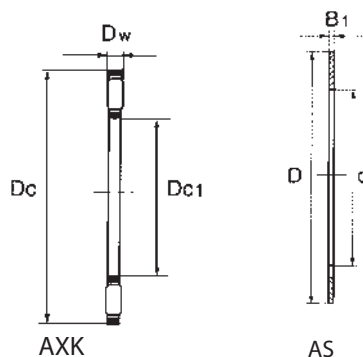


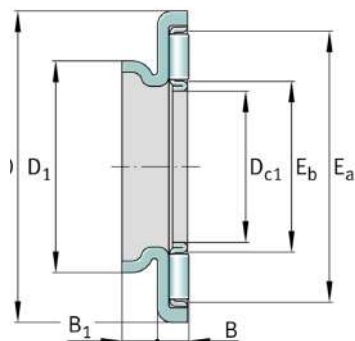
# AXIAL NEEDLE ROLLER AND CAGE ASSEMBLIES (AXK) AND WASHERS (AS) GABBIE ASSIALI A RULLINI (AXK) E RALLE (AS)



Diametro albero (mm) Shaft diameter (mm)	Sigla Designation	Peso (g) Weight (g)	Ralla assiale Axial Bearing Washer	Peso (g) Weight (g)	Dimensioni (mm) Dimensions (mm)				Coefficienti di carico (N) Basic load ratings (N)		Velocità limite Limiting Speed
					Dc1/d	Dc/D	Dw	B1	Dinamico C Dynamic C	Statico C <sub>0</sub> Static C <sub>0</sub>	Olio (N. giri max) Oil (max rpm)
4	AXK 0414 TN	0.7	AS 0414	1	4	14	2	1	4 380	7 500	20 000
5	AXK 0515 TN	0.8	AS 0515	1	5	15	2	1	4 680	9 100	20 000
6	AXK 0619 TN	1	AS 0619	2	6	19	2	1	6 740	15 400	18 000
8	AXK 0821 TN	2	AS 0821	2	8	21	2	1	7 750	19 000	17 000
10	AXK 1024	3	AS 1024	3	10	24	2	1	9 150	24 500	16 000
12	AXK 1226	3	AS 1226	3	12	26	2	1	9 860	28 600	14 250
15	AXK 1528	4	AS 1528	3	15	28	2	1	11 200	35 500	12 350
17	AXK 1730	4	AS 1730	4	17	30	2	1	11 800	38 600	11 400
20	AXK 2035	5	AS 2035	5	20	35	2	1	12 900	45 600	9 500
25	AXK 2542	7	AS 2542	7	25	42	2	1	13 800	57 800	8 000
30	AXK 3047	8	AS 3047	8	30	47	2	1	15 600	69 500	6 500
35	AXK 3552	10	AS 3552	9	35	52	2	1	16 900	80 100	6 100
40	AXK 4060	16	AS 4060	12	40	60	3	1	27 500	113 500	5 700
45	AXK 4565	18	AS 4565	13	45	65	3	1	29 050	127 600	4 750
50	AXK 5070	20	AS 5070	14	50	70	3	1	31 500	138 500	4 500
55	AXK 5578	28	AS 5578	18	55	78	3	1	37 400	185 000	4 100
60	AXK 6085	33	AS 6085	22	60	85	3	1	43 900	232 500	3 800
65	AXK 6590	35	AS 6590	24	65	90	3	1	45 800	254 600	3 500
70	AXK 7095	60	AS 7095	25	70	95	4	1	53 600	254 600	3 300
75	AXK 75100	61	AS 75100	27	75	100	4	1	54 500	264 500	3 100
80	AXK 80105	63	AS 80105	28	80	105	4	1	55 600	278 500	2 900
85	AXK 85110	67	AS 85110	29	85	110	4	1	57 500	275 000	2 850
90	AXK 90120	86	AS 90120	39	90	120	4	1	72 500	401 000	2 500
100	AXK 100135	104	AS 100135	50	100	135	4	1	90 500	559 500	2 400
110	AXK 110145	122	AS 110145	55	110	145	4	1	96 500	617 500	2 200
120	AXK 120155	131	AS 120155	59	120	155	4	1	101 500	679 000	2 000
130	AXK 130170	205	AS 130170	65	130	170	5	1	132 400	838 900	1 800
140	AXK 140180	219	AS 140180	79	140	180	5	1	137 200	899 000	1 700
150	AXK 150190	232	AS 150190	84	150	190	5	1	142 800	959 000	1 600
160	AXK 160200	246	AS 160200	89	160	200	5	1	147 600	1 015 000	1 500

TN= Gabbia in materiale plastico, temperatura di funzionamento ammessa: 80°C (continuativi).  
TN= Plastic cage; temperature allowed: 80°C. (continuous working).

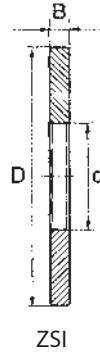
Lubrificazione con grasso: 25% in meno dei valori indicati in tabella.  
Grease lubrication: less 25% of value indicated in tables.



Diametro albero (mm) Shaft diameter (mm)	Sigla Designation	Peso (g) Weight (g)	Dimensioni (mm) Dimensions (mm)					Coefficienti di carico (N) Basic load ratings (N)		Velocità limite Limiting Speed
			Dc1	D1	D	B	B1	Dinamico C Dynamic C	Statico C <sub>0</sub> Static C <sub>0</sub>	Olio (N. giri max) Oil (max rpm)
10	AXW 10	8.3	10	14	27	3.2	3	9 100	24 000	15 200
12	AXW 12	9.1	12	16	29	3.2	3	9 400	27 800	13 300
15	AXW 15	10.1	15	21	31	3.2	3.5	10 500	35 000	12 350
17	AXW 17	11	17	23	33	3.2	3.5	11 300	38 800	11 400
20	AXW 20	14	20	26	38	3.2	3.5	12 700	45 600	10 000
25	AXW 25	19.5	25	32	45	3.2	4	13 900	57 500	7 600
30	AXW 30	22	30	37	50	3.2	4	15 900	69 500	6 650
35	AXW 35	26.6	35	42	55	3.2	4	17 000	80 100	6 200
40	AXW 40	39.2	40	47	63	4.2	4	27 800	109 000	5 200
45	AXW 45	43.4	45	52	68	4.2	4	29 500	121 600	4 750
50	AXW 50	49.2	50	58	73	4.2	4.5	31 800	140 900	4 500

**Lubrificazione con grasso: 25% in meno dei valori indicati in tabella.  
Grease lubrication: less 25% of value indicated in tables.**

# INTERMEDIATE WASHERS WITH INNER CENTERING (ZSI) RALLE INTERMEDIE CON CENTRAGGIO INTERNO (ZSI)



Diametro albero (mm) Shaft Diameter (mm)	Sigla Designation	Peso (g) Weight (g)	Dimensioni (mm) Dimensions (mm)			Gabbie assiali a rullini Axial needle roller	Gabbie assiali a rulli cilindrici Axial cylindrical roller	Ralle per alloggiamento Housing locating Washer
			d	D	B			
15	ZSI 1127	21	11	27	5.5	AXK 1528	K 811 02 TN	GS 811 02
17	ZSI 1329	23	13	29	5.5	AXK 1730	K 811 03 TN	GS 811 03
20	ZSI 1634	31	16	34	5.5	AXK 2035	K 811 04 TN	GS 811 04
25	ZSI 2141	45	21	41	6	AXK 2542	K 811 05 TN	GS 811 05
30	ZSI 2646	60	26	46	7	AXK 3047	K 811 06 TN	GS 811 06
35	ZSI 3151	78	31	51	8	AXK 3552	K 811 07 TN	GS 811 07
40	ZSI 3159	125	31	59	8	AXK 4060	K 811 08 TN	GS 811 08
45	ZSI 3664	156	36	64	9	AXK 4565	K 811 09 TN	GS 811 09
50	ZSI 4169	191	41	69	10	AXK 5070	K 811 10 TN	GS 811 10
55	ZSI 4677	235	46	77	10	AXK 5578	K 811 11 TN	GS 811 11
60	ZSI 5184	316	51	84	11.5	AXK 6085	K 811 12 TN	GS 811 12
65	ZSI 5689	360	56	89	12	AXK 6590	K 811 13 TN	GS 811 13
70	ZSI 5694	440	56	94	12.5	AXK 7095	K 811 14 TN	GS 811 14
75	ZSI 6199	470	61	99	12.5	AXK 75100	K 811 15 TN	GS 811 15
80	ZSI 66104	500	66	104	12.5	AXK 80105	K 811 16 TN	GS 811 16
85	ZSI 71109	593	71	109	14.5	AXK 85110	K 811 17 TN	GS 811 17
90	ZSI 76119	806	76	119	16	AXK 90120	K 811 18 TN	GS 811 18
100	ZSI 86134	1 180	86	134	18	AXK 100135	K 811 20 TN	GS 811 20
110	ZSI 96144	1 430	96	144	20	AXK 110145	K 811 22 TN	GS 811 22
120	ZSI 101154	1 830	101	154	22	AXK 120155	K 811 24	GS 811 24
130	ZSI 111169	2 210	111	169	22	AXK 130170	K 811 26	GS 811 26
140	ZSI 121179	2 460	121	179	23	AXK 140180	K 811 28	GS 811 28
150	ZSI 131189	2 740	131	189	24	AXK 150190	K 811 30	GS 811 30
160	ZSI 141199	3 030	141	199	25	AXK 160200	K 811 32	GS 811 32



Diametro albero (mm) Shaft Diameter (mm)	Ralle intermedie Designation of Center Washers	Peso (g) Weight (g)	Dimensioni (mm) Dimensions (mm)			Gabbie assiali a rullini Axial needle roller	Gabbie assiali a rulli cilindrici Axial cylindrical roller	Ralle per albero Shaft locating washers
			d	D	B			
15	ZSE 1634	31	16	34	5.5	AXK 1528	K 811 02 TN	WS 811 02
20	ZSE 2141	45	21	41	6	AXK 2035	K 811 04 TN	WS 811 04
25	ZSE 2646	60	26	46	7	AXK 2542	K 811 05 TN	WS 811 05
30	ZSE 3151	78	31	51	8	AXK 3047	K 811 06 TN	WS 811 06
35	ZSE 3664	156	36	64	9	AXK 3552	K 811 07 TN	WS 811 07
40	ZSE 4169	191	41	69	10	AXK 4060	K 811 08 TN	WS 811 08
45	ZSE 4677	235	46	77	10	AXK 4565	K 811 09 TN	WS 811 09
50	ZSE 5184	316	51	84	11.5	AXK 5070	K 811 10 TN	WS 811 10
55	ZSE 5689	360	56	89	12	AXK 5578	K 811 11 TN	WS 811 11
60	ZSE 6199	470	61	99	12.5	AXK 6085	K 811 12 TN	WS 811 12
65	ZSE 66104	500	66	104	12.5	AXK 6590	K 811 13 TN	WS 811 13
70	ZSE 71109	593	71	109	14.5	AXK 7095	K 811 14 TN	WS 811 14
75	ZSE 76119	806	76	119	16	AXK 75100	K 811 15 TN	WS 811 15
85	ZSE 86134	1 180	86	134	18	AXK 85110	K 811 17 TN	WS 811 17
100	ZSE 101154	1 830	101	154	22	AXK 100135	K 811 20 TN	WS 811 20
110	ZSE 111169	2 210	111	169	22	AXK 110145	K 811 22 TN	WS 811 22
120	ZSE 121179	2 460	121	179	23	AXK 120155	K 811 24	WS 811 24
130	ZSE 131189	2 740	131	189	24	AXK 130170	K 811 26	WS 811 26
140	ZSE 141199	3 030	141	199	25	AXK 140180	K 811 28	WS 811 28
150	ZSE 151214	3 830	151	214	27	AXK 150190	K 811 30	WS 811 30
160	ZSE 161224	4 350	161	224	29	AXK 160200	K 811 32	WS 811 32