

# RCK 71 TYPE CLAMPING ELEMENTS

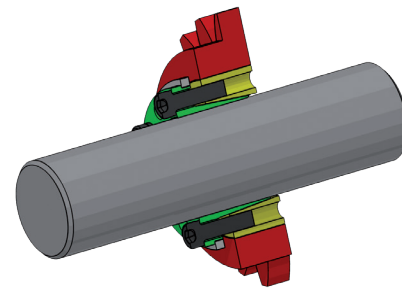
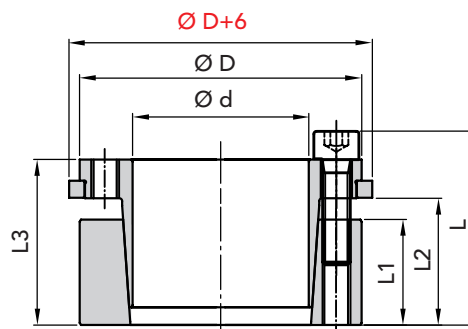


## SELF CENTRING

THE RECOMMENDED MACHINING TOLERANCES FOR THE PRESSURE SURFACES ARE AS FOLLOWS:

**Ø h 8 FOR SHAFT**

**Ø H 8 FOR HUB**



PART NUMBER	DIMENSIONS						maximum torque Mt Nm	CLAMPING PRESSURE		CLAMPING SCREWS DIN 912 MAT. 12.9			EXTRACTION THREAD		WEIGHT Kg
	Ød	ØD	L1	L2	L3	L		Shaft N/mm <sup>2</sup>	Hub N/mm <sup>2</sup>	N.	Type	Torque Nm	Type	N.	
06710019	19	47	26	31	39	45	300	228	98	4	M6x25	17	M6	2	0,45
06710020	20	47	26	31	39	45	320	231	98	4	M6x25	17	M6	2	0,46
06710022	22	47	26	31	39	45	370	211	99	4	M6x25	17	M6	2	0,50
06710024	24	50	26	31	39	45	430	220	110	6	M6x25	17	M6	3	0,50
06710025	25	50	26	31	39	45	480	226	113	6	M6x25	17	M6	3	0,50
06710028	28	55	26	31	39	45	590	207	108	6	M6x25	17	M6	3	0,60
06710030	30	55	26	31	39	45	650	226	121	6	M6x25	17	M6	3	0,60
06710032	32	60	26	31	39	45	800	201	117	8	M6x25	17	M6	4	0,70
06710035	35	60	26	31	39	45	860	206	121	8	M6x25	17	M6	4	0,60
06710038	38	65	26	31	39	45	1030	201	124	8	M6x25	17	M6	4	0,80
06710040	40	65	26	31	39	45	1130	239	146	8	M6x25	17	M6	4	0,60
06710042	42	75	30	36	47	55	1930	221	138	6	M8x30	41	M8	3	1,20
06710045	45	75	30	36	47	55	1950	221	138	6	M8x30	41	M8	3	1,10
06710048	48	80	30	36	47	55	2180	226	145	6	M8x30	41	M8	3	1,30
06710050	50	80	30	36	47	55	2210	226	146	6	M8x30	41	M8	3	1,10
06710055	55	85	30	36	47	55	2730	226	146	8	M8x30	41	M8	4	1,20
06710060	60	90	30	36	47	55	2910	201	134	8	M8x30	41	M8	4	1,30
06710065	65	95	30	36	47	55	3570	211	145	8	M8x30	41	M8	4	1,40
06710070	70	110	40	46	57	67	5830	226	145	8	M10x35	83	M10	4	2,50
06710075	75	115	40	46	62	72	6330	221	151	8	M10x35	83	M10	4	2,60
06710080	80	120	40	46	62	72	6840	202	142	8	M10x35	83	M10	4	2,80
06710085	85	125	40	46	62	72	8160	221	161	10	M10x35	83	M10	4	2,80
06710090	90	130	40	46	62	72	8670	201	146	10	M10x35	83	M10	4	3,00
06710095	95	135	40	46	62	72	10200	191	141	10	M10x35	83	M10	4	3,00
06710100	100	145	46	52	77	89	13600	201	151	8	M12x45	145	M12	4	5,50
06710110	110	155	46	52	77	89	14870	201	182	8	M12x45	145	M12	4	4,80
06710120	120	165	46	52	77	89	19460	221	162	10	M12x45	145	M12	4	5,50
06710130	130	180	46	52	77	89	20820	202	146	12	M12x45	145	M12	4	6,00
06710140	140	190	51	59	84	90	25410	192	141	8	M14x45	230	M14	4	7,50
06710150	150	200	51	59	84	90	30720	202	152	10	M14x45	230	M14	5	7,70
06710160	160	210	51	59	84	90	33150	202	152	10	M14x45	230	M14	5	8,00
06710170	170	225	51	59	84	90	34000	161	121	12	M14x45	230	M14	6	9,80
06710180	180	235	51	59	84	90	34250	157	122	12	M14x45	230	M14	6	9,80

### ORDERING EXAMPLE:

The following will be ordered with a shaft having Ød 30 with a torque value less than or equal 650 Nm:

**RCK 71 - 30 x 55**

**Part Number 06710030**

CAD drawings available on our site

[www.chiaravalli.com](http://www.chiaravalli.com)

3D simulation available on the website.

**Quantity, availability and prices on B2B Chiaravalli**

