

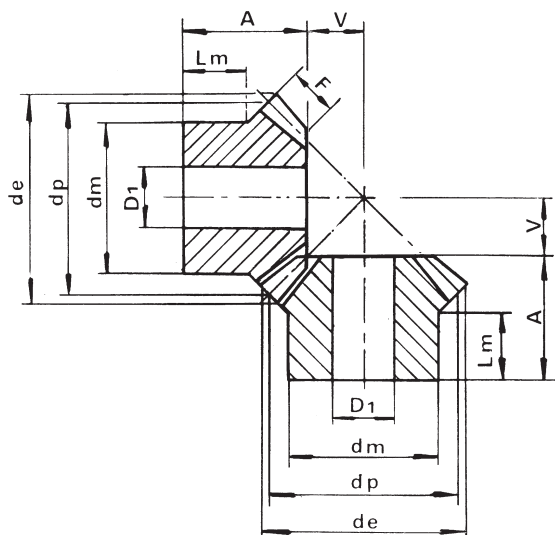
STRAIGHT TEETH BEVEL GEARS SPECIAL EXECUTION

Normal axis Bevel Gears

Pressure angle: 20°

Gleason System

Ratio - 1:1



MATERIAL: C 43 – UNI 7847

M	Z	d_p	d_e	F	A	d_m	D_1	V	L_m
1	16	16.0	17.4	4	11.2	13.3	4	4.80	6.5
	19	19.0	20.4	4	11.8	15.3	4	6.20	6.5
	22	22.0	23.4	4.7	12.8	16.3	5	7.20	6.5
	26	26.0	27.4	5.5	13.3	20.3	5	8.70	7
	30	30.0	31.4	6.4	16	20.3	5	10.00	8
1.5	16	24.0	26.1	6	18.9	20.3	8	7.10	12
	19	28.5	30.6	7	21.3	20.3	8	8.70	12
	22	33.0	35.1	7.5	22.5	25.3	8	10.50	12
	26	39.0	41.1	8.5	23.2	28.3	8	12.80	12
	30	45.0	47.1	10	27.2	30.3	12	14.80	12
2	16	32.0	34.8	8	23.5	25.3	8	9.50	14
	19	38.0	40.8	9	24.2	25.3	8	11.80	12
	22	44.0	46.8	10	27.9	30.3	12	14.10	14
	26	52.0	54.8	12	31.4	35.3	12	16.60	14
	30	60.0	62.8	13	34.1	40.3	14	19.90	17
2.5	16	40.0	43.5	10	28.1	30.3	12	11.90	15
	19	47.5	51.0	11	27.1	35.3	12	14.90	13
	22	55.0	58.5	12	30.1	45.3	16	17.90	16
	26	65.0	68.5	15	33.2	45.3	16	20.80	16
	30	75.0	78.5	16	39	50.3	16	25.00	20
3	16	48.0	52.5	12	31.7	40.3	12	14.30	18
	19	57.0	61.2	13	36	40.3	14	18.00	17
	22	66.0	70.2	15	36.9	50.3	16	21.10	17
	26	78.0	82.2	17	38.4	50.3	16	25.60	18
	30	90.0	94.2	19	43.8	60.3	20	30.20	22
3.5	16	56.0	60.9	14	36.4	45.3	16	16.60	20
	19	66.5	71.5	15	37.8	50.3	18	21.00	19
	22	77.0	81.9	17	39.1	55.3	20	24.90	18
	26	91.0	96.0	20	43.35	62.3	20	29.70	20
	30	105.0	110.0	23	47.1	70.3	20	34.90	22
4	16	64.0	69.7	15	44.3	50.3	16	19.70	25
	19	76.0	81.7	18	44.4	55.3	20	23.60	22
	22	88.0	93.7	20	45.9	60.3	20	28.10	22
	26	104.0	109.7	25	48	70.3	20	34.00	22
	30	120.0	125.7	26	54.2	80.3	20	39.80	25
4.5	16	72.0	78.4	17.5	46.3	55.3	20	21.70	25
	19	85.5	91.8	20	49	62.3	20	26.57	25
	22	99.0	105.3	22	50.1	70.3	20	31.90	25
	26	117.0	123.0	25	54.7	75.3	20	38.60	26
	30	135.0	141.4	29	60	80.3	20	45.00	28
5	16	80.0	87.1	18	48.9	60.3	20	25.10	25
	19	95.0	102.1	22	52.2	60.3	20	29.80	25
	22	110.0	117.1	24	58.2	80.3	20	35.80	30
	26	130.0	137.1	29	62.7	80.3	20	42.30	30
	30	150.0	157.1	32	68.9	80.3	20	50.10	35