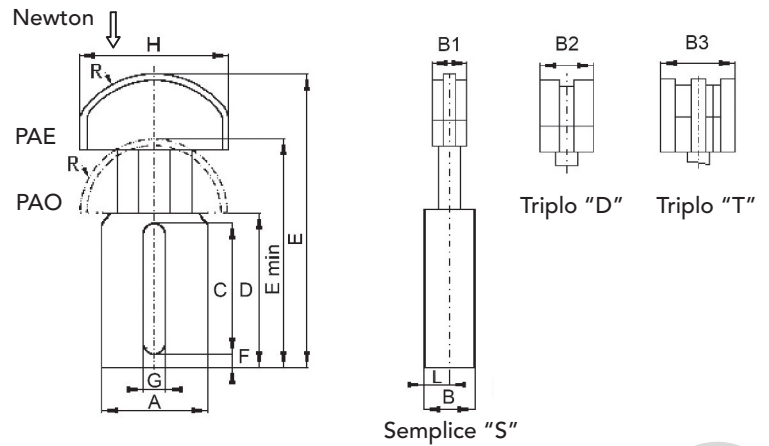




- Tensioner element CHT-PA with high molecular mass polyethylene sliding block set up on the body pins
- Sliding block available in other colours
- Material of the body polyamide 66 FV 50
- Available on demand with stainless steel pins, springs, plugs and washers (PA1 SS).



TYPE	P. NUMBER SIMPLE	P. NUMBER DOUBLE	P. NUMBER TRIPLE	Step chain	Newton	A	B	C	D	E	E min	F	G	H	L	B1	B2	B3	R	Weight Kg.
PAE 1	94PAE138S	94PAE138D	94PAE138T	3/8"	210	60	25	56	76	140	110	4	8,5	70	12,5	20	20	25	42	0,21
PAO 1	94PAO138S	94PAO138D	94PAO138T	3/8"	210	60	25	56	76	140	110	4	8,5	70	12,5	20	20	26	35	0,21
PAE 1	94PAE112S	94PAE112D	94PAE112T	1/2"	210	60	25	56	76	140	110	4	8,5	70	12,5	20	20	35	42	0,21
PAO 1	94PAO112S	94PAO112D	94PAO112T	1/2"	210	60	25	56	76	140	110	4	8,5	70	12,5	20	20	34,5	35	0,21
PAE 1	94PAE158S	94PAE158D	94PAE158T	5/8"	210	60	25	56	76	140	110	4	8,5	70	12,5	20	25	40	50	0,21
PAO 1	94PAO158S	94PAO158D	94PAO158T	5/8"	210	60	25	56	76	140	110	4	8,5	70	12,5	20	25	41,5	35	0,21



CAD drawings available on our site
www.chiaravalli.com

Quantity, availability and prices
 on B2B Chiaravalli