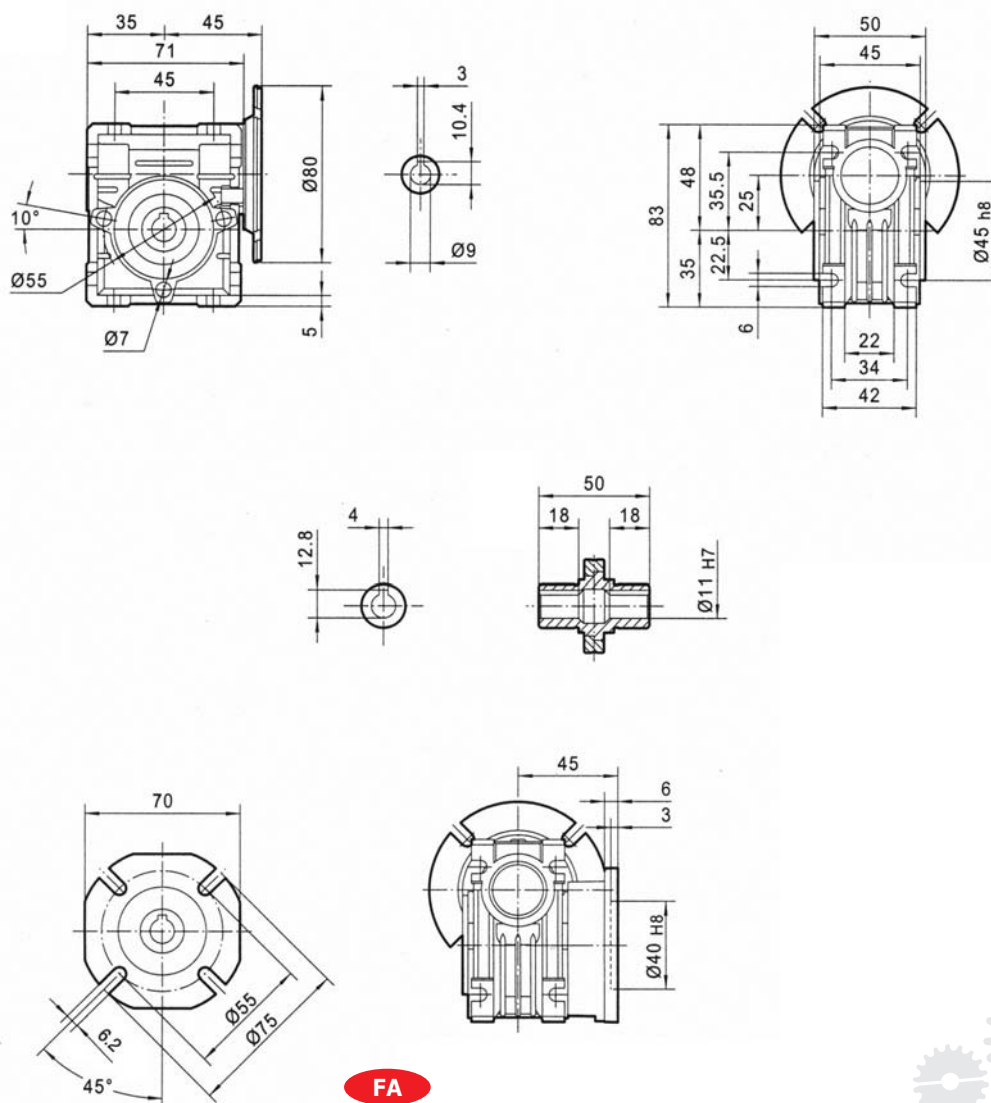


CHM 025**PRESTAZIONI CON MOTORI A 4 POLI - 1400 GIRI ENTRATA
PERFORMANCE WITH 4-POLE MOTORS - 1400 REVS. INPUT**

TIPO	i=ratio	n2 r/min	Kw=P1	Nm=T2	f.s.	Pred. attacco motore possibili	
TYPE	i=ratio	n2 r/min	Kw=P1	Nm=T2	f.s.	Possible types of motor connections	
CHM 025	7.5	186.7	0.09	3.8	2.8	56	B14
	10	140.0	0.09	5	2.4	56	B14
	15	93.3	0.09	7.2	1.6	56	B14
	20	70.0	0.09	9	1.3	56	B14
	25	56.0	0.09	10	1.0	56	B14
	30	46.7	0.09	12.3	1.1	56	B14
	40	35.0	0.09	13	1.0	56	B14
	50	28.0	0.09	14	0.7	56	B14
	60	23.3	0.09	14	0.6	56	B14

DIMENSIONI - DIMENSIONS

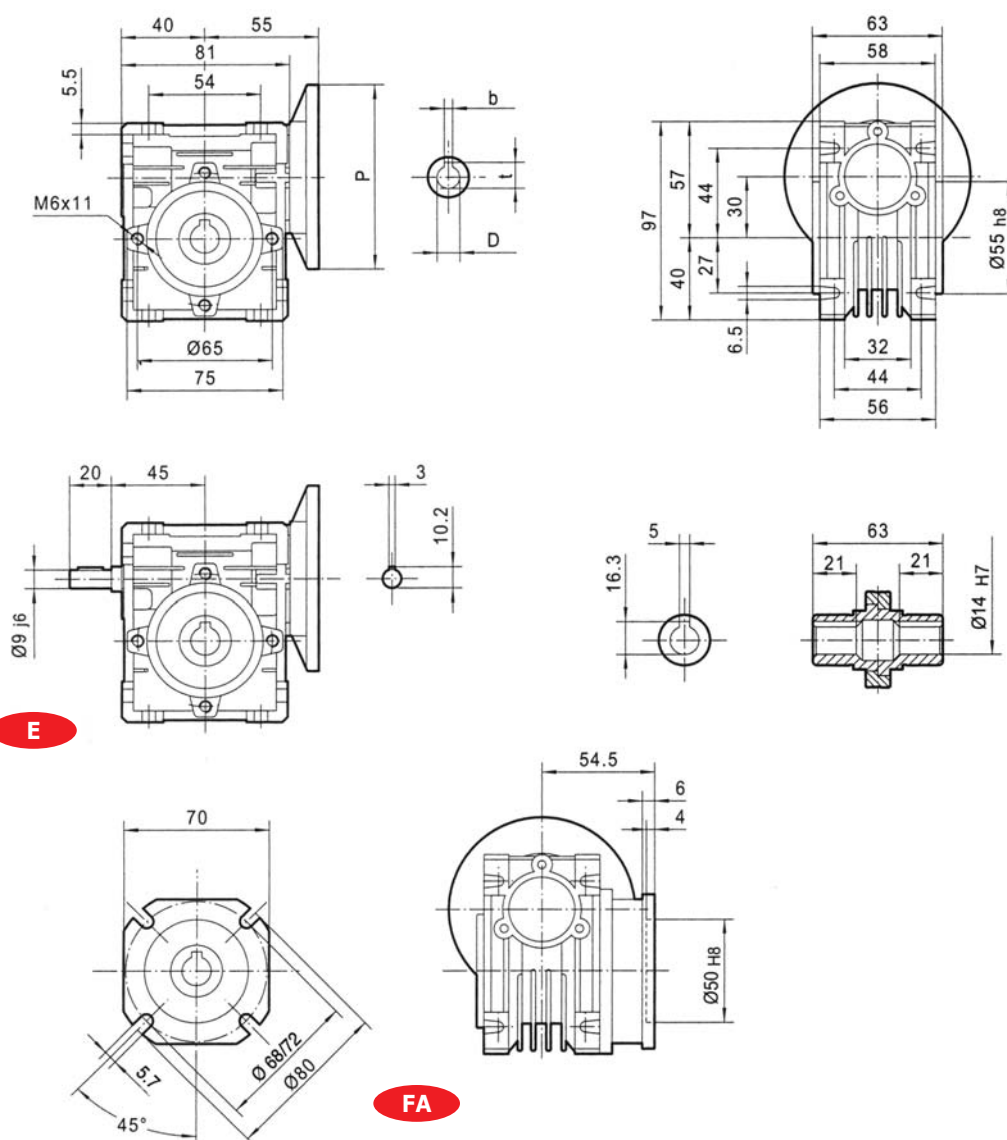
Peso Kg 0.7 senza motore
Weight 0.7 Kg excluding motor

CHM 030

PRESTAZIONI CON MOTORI A 4 POLI - 1400 GIRI ENTRATA PERFORMANCE WITH 4-POLE MOTORS - 1400 REVS. INPUT

TIPO	i=ratio	n2 r/min	Kw=P1	Nm=T2	f.s.	Pred. attacco motore possibili	
TYPE	i=ratio	n2 r/min	Kw=P1	Nm=T2	f.s.	Possible types of motor connections	
CHM 030	7.5	186.7	0.22	9	2.1	63/56	B5/B14
	10	140.0	0.22	11	1.6	63/56	B5/B14
	15	93.3	0.22	16	1.0	63/56	B5/B14
	20	70.0	0.22	20	0.9	63/56	B5/B14
	25	56.0	0.18	20	1.0	63/56	B5/B14
	30	46.7	0.18	22	0.9	63/56	B5/B14
	40	35.0	0.18	21	0.8	63/56	B5/B14
	50	28.0	0.18	19	0.8	63/56	B5/B14
	60	23.3	0.09	18	0.9	56	B5/B14
	80	17.5	0.09	13	0.9	56	B5/B14

DIMENSIONI - DIMENSIONS



PAM IEC	P	DE8	b	t	PAM IEC	P	DE8	b	t
63B5	140	11	4	12.8	63B14	90	11	4	12.8
56B5	120	9	3	10.4	56B14	80	9	3	10.4

32

Peso Kg 1.2 senza motore
Weight 1.2 Kg excluding motor



CHM 040

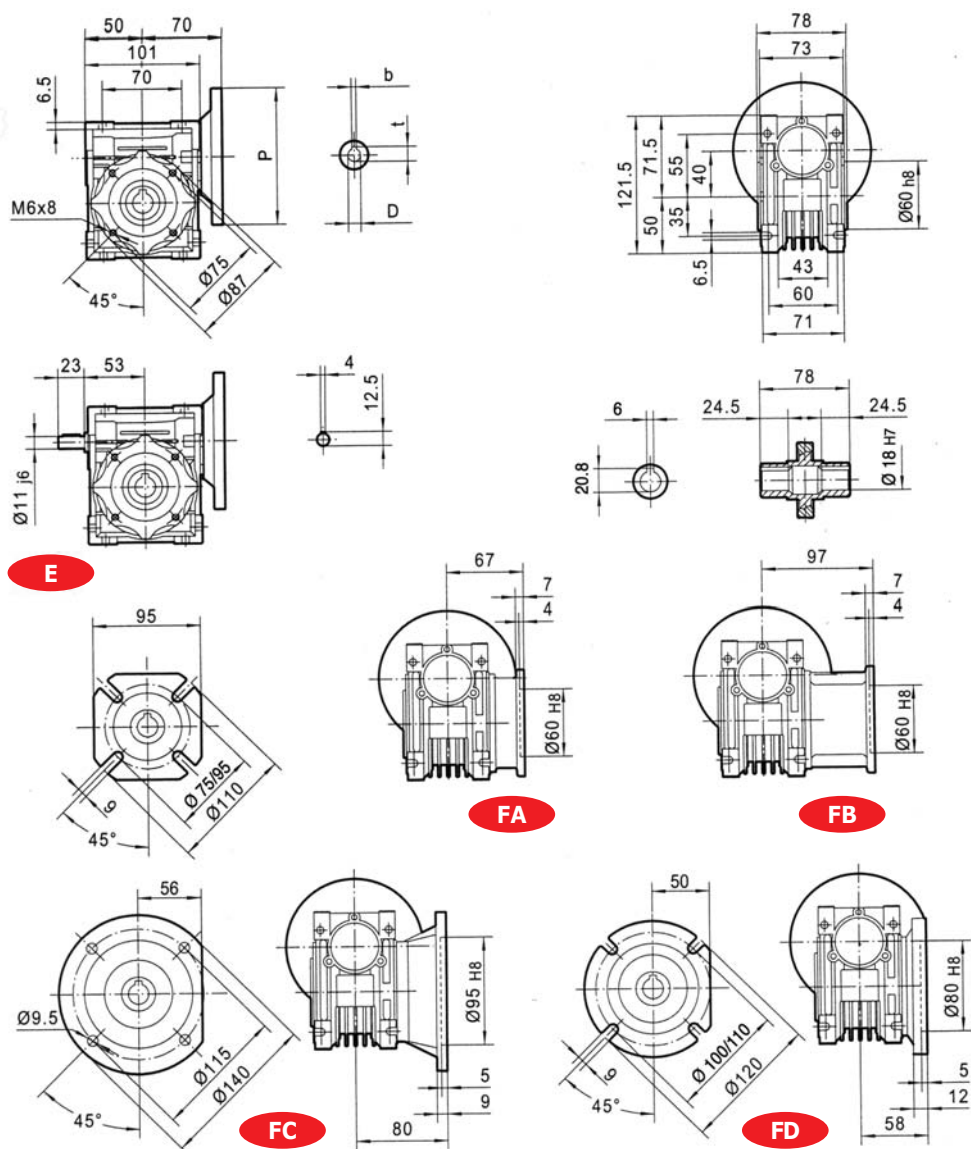
PRESTAZIONI CON MOTORI A 4 POLI - 1400 GIRI ENTRATA PERFORMANCE WITH 4-POLE MOTORS - 1400 REVS. INPUT

TIPO	i=ratio	n2 r/min	Kw=P1	Nm=T2	f.s.	Pred. attacco motore possibili	
TYPE	i=ratio	n2 r/min	Kw=P1	Nm=T2	f.s.	Possible types of motor connections	
	7.5	186.7	0.55**	22	1.6	71/63	B5/B14
	10	140.0	0.55**	30	1.4	71/63	B5/B14
	15	93.3	0.55**	44	0.9	71/63	B5/B14
	20	70.0	0.55**	38	1.0	71/63	B5/B14
CHM 040	25	56.0	0.37	45	0.9	71/63	B5/B14
	30	46.7	0.37	52	0.8	71/63	B5/B14
	40	35.0	0.25	43	0.9	71/63	B5/B14
	50	28.0	0.22	44	0.9	63/56	B5/B14*
	60	23.3	0.18	42	0.8	63/56	B5/B14*
	80	17.5	0.18	36	0.8	63/56	B5/B14*
	100	14.0	0.18	35	0.8	63/56	B5/B14*

* 56 solo - only B5

** Motori grandezza 71 - Size 71 Motors

DIMENSIONI - DIMENSIONS



PAM IEC	P	DE8	b	t
71B5	160	14	5	16.3
63B5	140	11	4	12.8
56B5	120	9	3	10.4

PAM IEC	P	DE8	b	t
71B14	105	14	5	16.3
63B14	90	11	4	12.8

Peso Kg 2.3 senza motore
Weight 2.3 Kg excluding motor

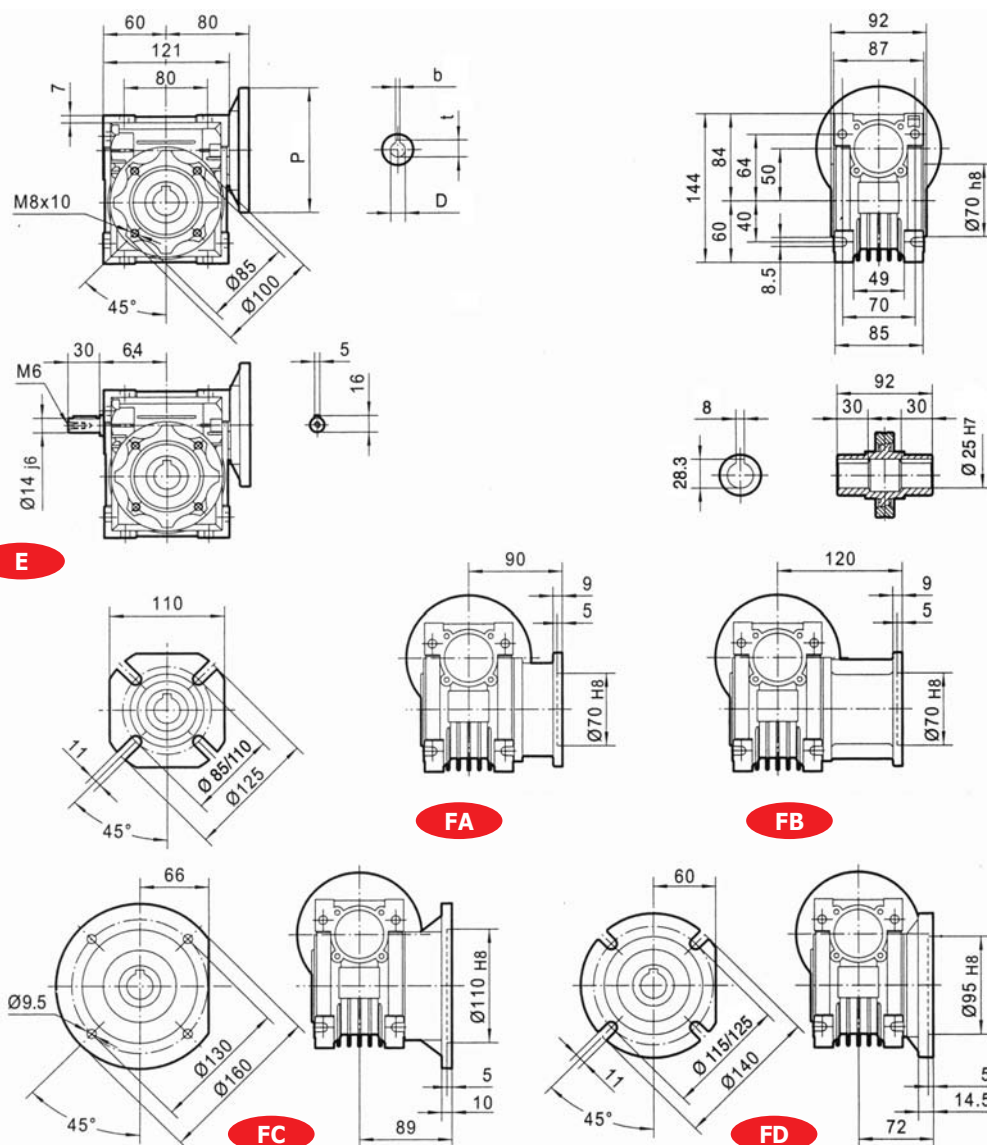
CHM 050

PRESTAZIONI CON MOTORI A 4 POLI - 1400 GIRI ENTRATA PERFORMANCE WITH 4-POLE MOTORS - 1400 REVS. INPUT

TIPO	i=ratio	n2 r/min	Kw=P1	Nm=T2	f.s.	Pred. attacco motore possibili	
TYPE	i=ratio	n2 r/min	Kw=P1	Nm=T2	f.s.	Possible types of motor connections	
	7.5	186.7	0.75	33.3	2.0	80/71	B5/B14
	10	140.0	0.75	43.9	1.6	80/71	B5/B14
	15	93.3	0.75	62.6	1.2	80/71	B5/B14
	20	70.0	0.75	80	0.9	80/71	B5/B14
CHM 050	25	56.0	0.55	70	1.0	80/71	B5/B14
	30	46.7	0.55	80	1.0	80/71	B5/B14
	40	35.0	0.37	67	1.1	80/71/63	B5/B14*
	50	28.0	0.37	78	0.9	71/63	B5/B14*
	60	23.3	0.37	87	0.8	71/63	B5/B14*
	80	17.5	0.25	70	0.9	71/63	B5/B14*
	100	14.0	0.18	59	0.9	71/63	B5/B14*

* 63 solo - only B5

DIMENSIONI - DIMENSIONS



PAM IEC	P	DE8	b	t
80B5	200	19	6	21.8
71B5	160	14	5	16.3
63B5	140	11	4	12.8

PAM IEC	P	DE8	b	t
80B14	120	19	6	21.8
71B14	105	14	5	16.3

34

Peso Kg 3.5 senza motore
Weight 3.5 Kg excluding motor

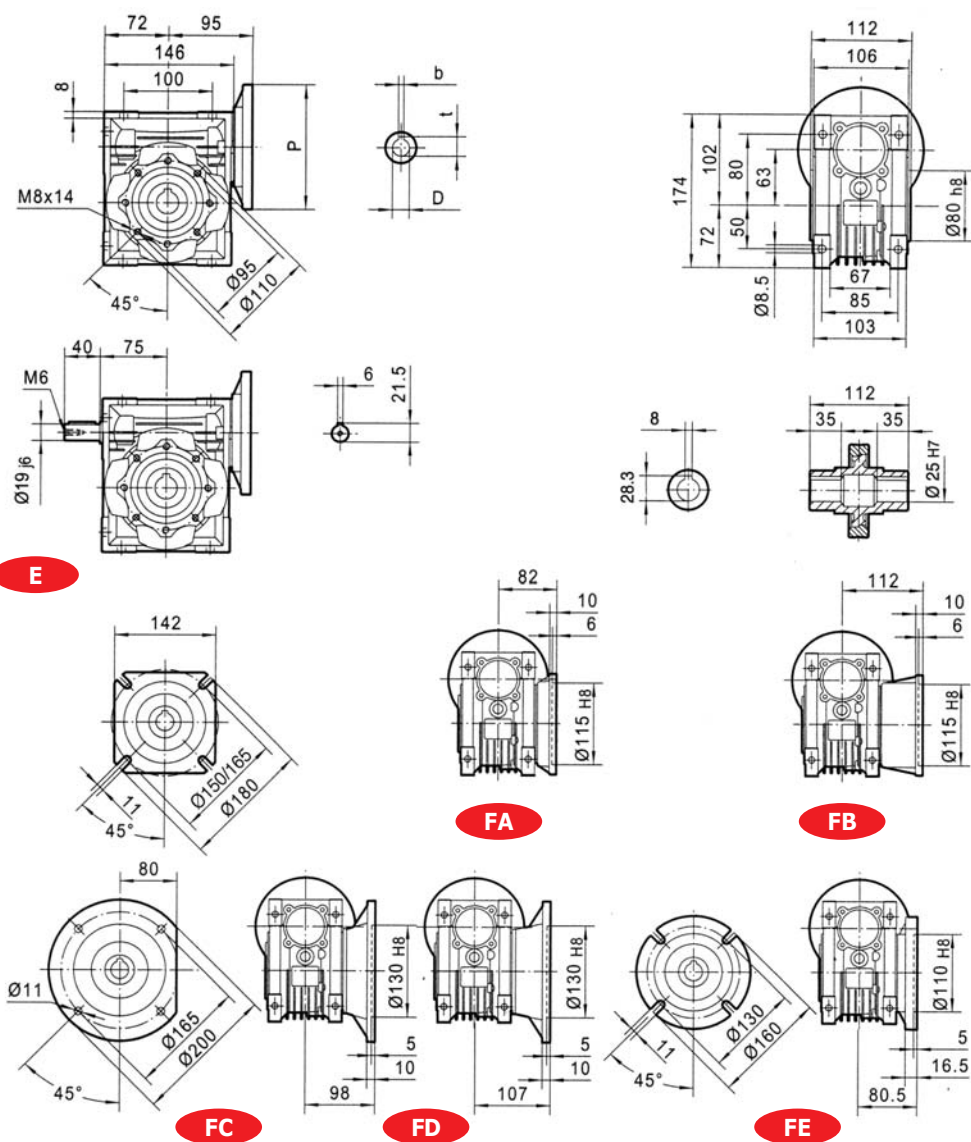


CHM 063

PRESTAZIONI CON MOTORI A 4 POLI - 1400 GIRI ENTRATA PERFORMANCE WITH 4-POLE MOTORS - 1400 REVS. INPUT

TIPO	i=ratio	n2 r/min	Kw=P1	Nm=T2	f.s.	Pred. attacco motore possibili	
TYPE	i=ratio	n2 r/min	Kw=P1	Nm=T2	f.s.	Possible types of motor connections	
	7.5	186.7	1.50	67.4	1.8	90/80	B5/B14
	10	140.0	1.50	88.6	1.4	90/80	B5/B14
	15	93.3	1.50	126	1.19	90/80	B5/B14
	20	70.0	1.50	164	0.8	90/80	B5/B14
CHM 063	25	56.0	1.10	145	0.9	90/80	B5/B14
	30	46.7	1.10	165	1.0	90/80	B5/B14
	40	35.0	0.75	143	1.0	80/71	B5/B14
	50	28.0	0.55	122	1.1	80/71	B5/B14
	60	23.3	0.55	138	0.9	80/71	B5/B14
	80	17.5	0.37	114	1.1	80/71	B5/B14
	100	14.0	0.37	127	0.9	71	B5/B14

DIMENSIONI - DIMENSIONS



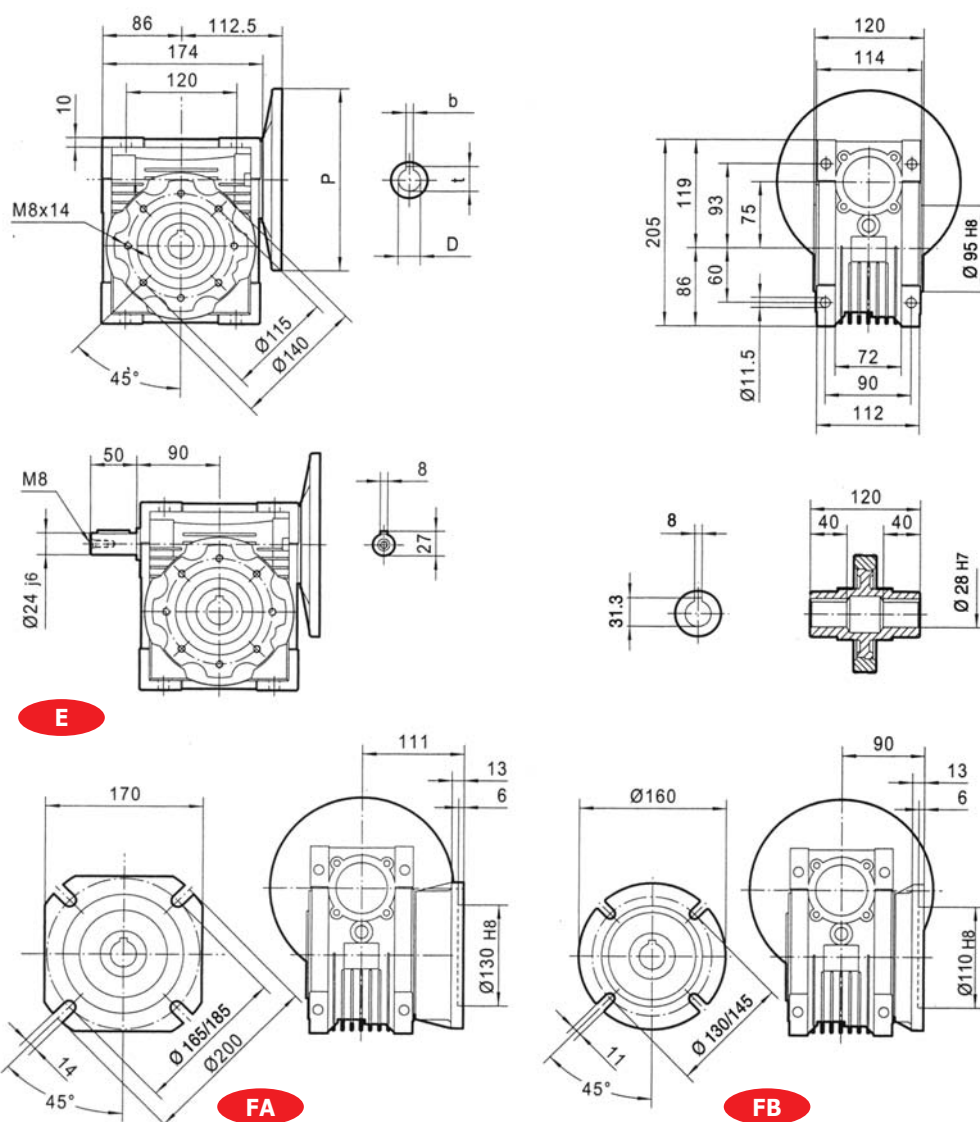
PAM IEC	P	DE8	b	t	PAM IEC	P	DE8	b	t
90B5	200	24	8	27.3	90B14	140	24	8	27.3
80B5	200	19	6	21.8	80B14	120	19	6	21.8
71B5	160	14	5	16.3	71B14	105	14	5	16.3

Peso Kg 6.2 senza motore
Weight 6.2 Kg excluding motor

CHM 75**PRESTAZIONI CON MOTORI A 4 POLI - 1400 GIRI ENTRATA**
PERFORMANCE WITH 4-POLE MOTORS - 1400 REVS. INPUT

TIPO	i=ratio	n2 r/min	Kw=P1	Nm=T2	f.s.	Pred. attacco motore possibili	
TYPE	i=ratio	n2 r/min	Kw=P1	Nm=T2	f.s.	Possible types of motor connections	
	7.5	186.7	4.00	180	1.0	100/90	B5/B14
	10	140.0	4.00	237	0.8	100/90	B5/B14
	15	93.3	3.00	260	0.8	100/90	B5/B14
	20	70.0	1.50	167	1.2	90/80	B5/B14
CHM 075	25	56.0	1.50	204	1.0	90/80	B5/B14
	30	46.7	1.50	232	1.0	90/80	B5/B14
	40	35.0	1.10	214	1.0	90/80	B5/B14
	50	28.0	0.75	176	1.2	90/80/71	B5/B14*
	60	23.3	0.75	199	1.0	80/71	B5/B14*
	80	17.5	0.55	178	1.1	80/71	B5/B14*
	100	14.0	0.55	203	0.9	80/71	B5/B14*

* 71 solo - only B5

DIMENSIONI - DIMENSIONS

PAM IEC	P	DEs	b	t	PAM IEC	P	DEs	b	t
100/112B5	250	28	8	31.3	100/112B14	160	28	8	31.3
90B5	200	24	8	27.3	90B14	140	24	8	27.3
80B5	200	19	6	21.8	80B14	120	19	6	21.8
71B5	160	14	5	16.3					

Peso Kg 9 senza motore
Weight 9 Kg excluding motor

36

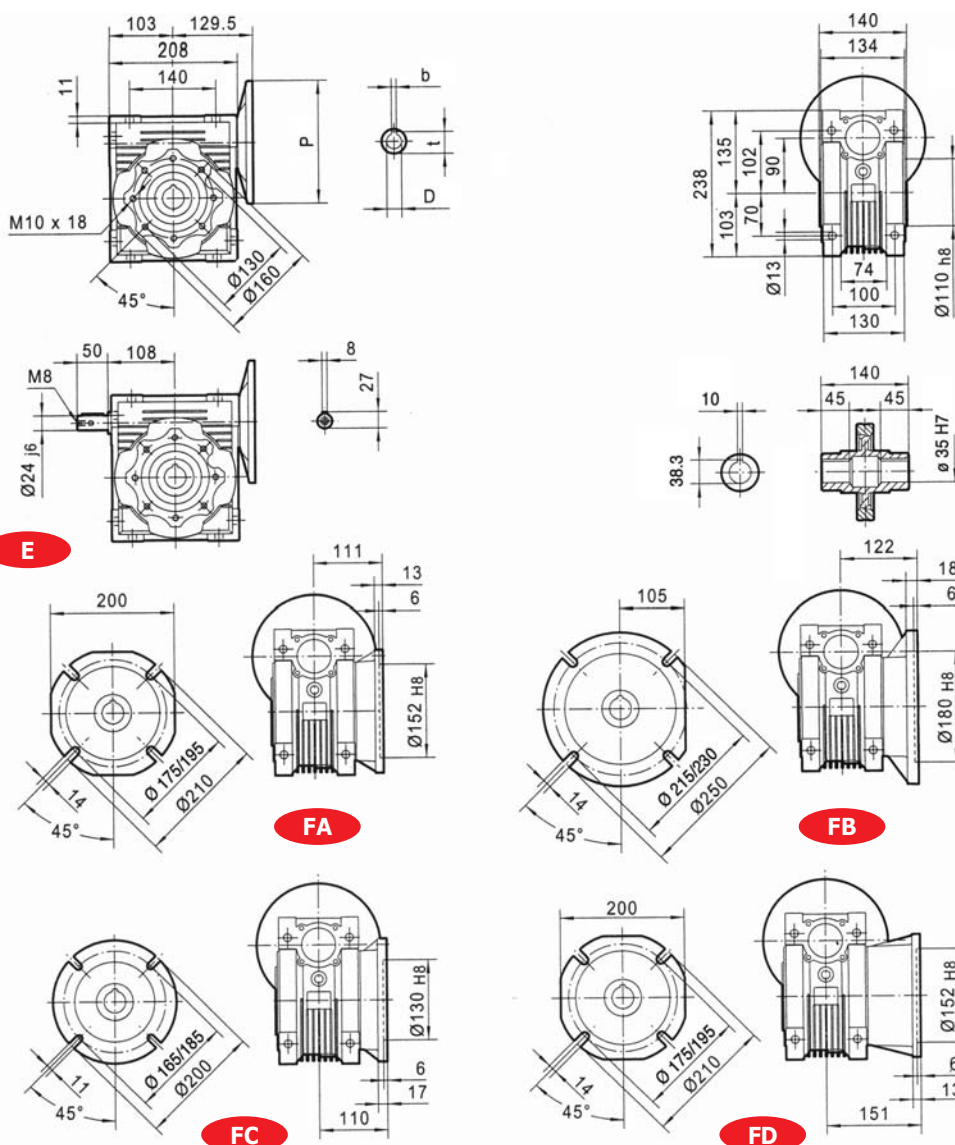


CHM 090

PRESTAZIONI CON MOTORI A 4 POLI - 1400 GIRI ENTRATA PERFORMANCE WITH 4-POLE MOTORS - 1400 REVS. INPUT

TIPO	i=ratio	n2 r/min	Kw=P1	Nm=T2	f.s.	Pred. attacco motore possibili	
TYPE	i=ratio	n2 r/min	Kw=P1	Nm=T2	f.s.	Possible types of motor connections	
	7.5	186.7	4.00	184	1.5	100/90	B5/B14
	10	140.0	4.00	242	1.3	100/90	B5/B14
	15	93.3	4.00	351	1.1	100/90	B5/B14
	20	70.0	4.00	456	0.8	100/90	B5/B14
CHM 090	25	56.0	3.00	417	0.8	100/90	B5/B14
	30	46.7	3.00	478	0.9	100/90	B5/B14
	40	35.0	1.50	306	1.2	90/80	B5/B14
	50	28.0	1.50	367	1.0	90/80	B5/B14
	60	23.3	1.50	421	0.8	90/80	B5/B14
	80	17.5	0.75	257	1.1	80	B5/B14
	100	14.0	0.75	300	0.9	80	B5/B14

DIMENSIONI - DIMENSIONS



PAM IEC	P	DE8	b	t	PAM IEC	P	DE8	b	t
100/112B5	250	28	8	31.3	100/112B14	160	28	8	31.3
90B5	200	24	8	27.3	90B14	140	24	8	27.3
80B5	200	19	6	21.8	80B14	120	19	6	21.8

Peso Kg 13 senza motore
Weight 13 Kg excluding motor

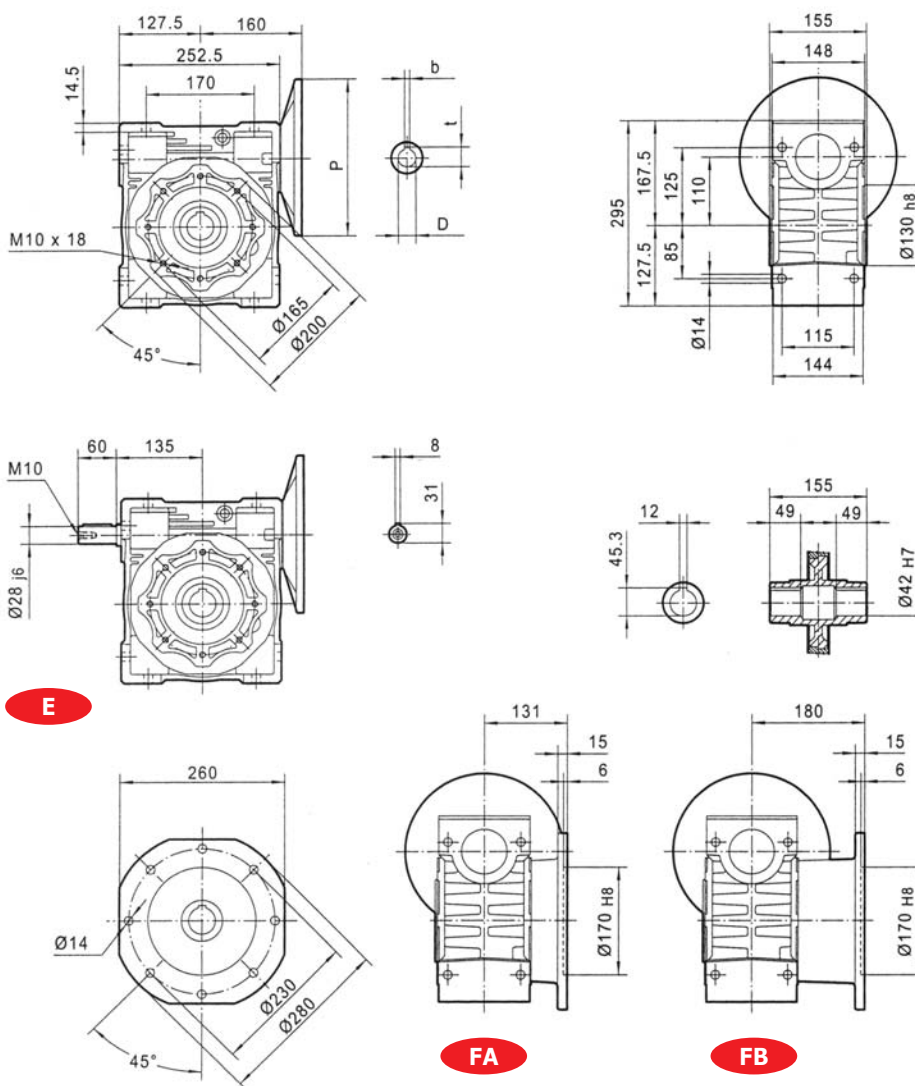
CHM 110

PRESTAZIONI CON MOTORI A 4 POLI - 1400 GIRI ENTRATA PERFORMANCE WITH 4-POLE MOTORS - 1400 REVS. INPUT

TIPO	i=ratio	n2 r/min	Kw=P1	Nm=T2	f.s.	Pred. attacco motore possibili	
TYPE	i=ratio	n2 r/min	Kw=P1	Nm=T2	f.s.	Possible types of motor connections	
	7.5	186.7	7.50	344	1.6	132/112/100	B5/B14
	10	140.0	7.50	453	1.3	132/112/100	B5/B14
	15	93.3	7.50	659	1.0	132/112/100	B5/B14
	20	70.0	5.50	635	1.0	132/112/100	B5/B14
CHM 110	25	56.0	4.00	573	1.2	112/100	B5/B14
	30	46.7	4.00	645	1.1	112/100	B5/B14
	40	35.0	3.00	636	1.1	112/100/90	B5/B14*
	50	28.0	3.00	764	0.9	112/100/90	B5/B14*
	60	23.3	2.20	645	1.0	112/100/90	B5/B14*
	80	17.5	1.50	546	0.9	90	B5/B14*
	100	14.0	1.10	470	1.0	90	B5/B14*

* 90 solo - only B5

DIMENSIONI - DIMENSIONS



PAM IEC	P	DE8	b	t
132B5	300	38	10	41.3
112B5	250	28	8	31.3
100B5	250	28	8	31.3
90B5	200	24	8	27.3
80B5	200	19	6	21.8

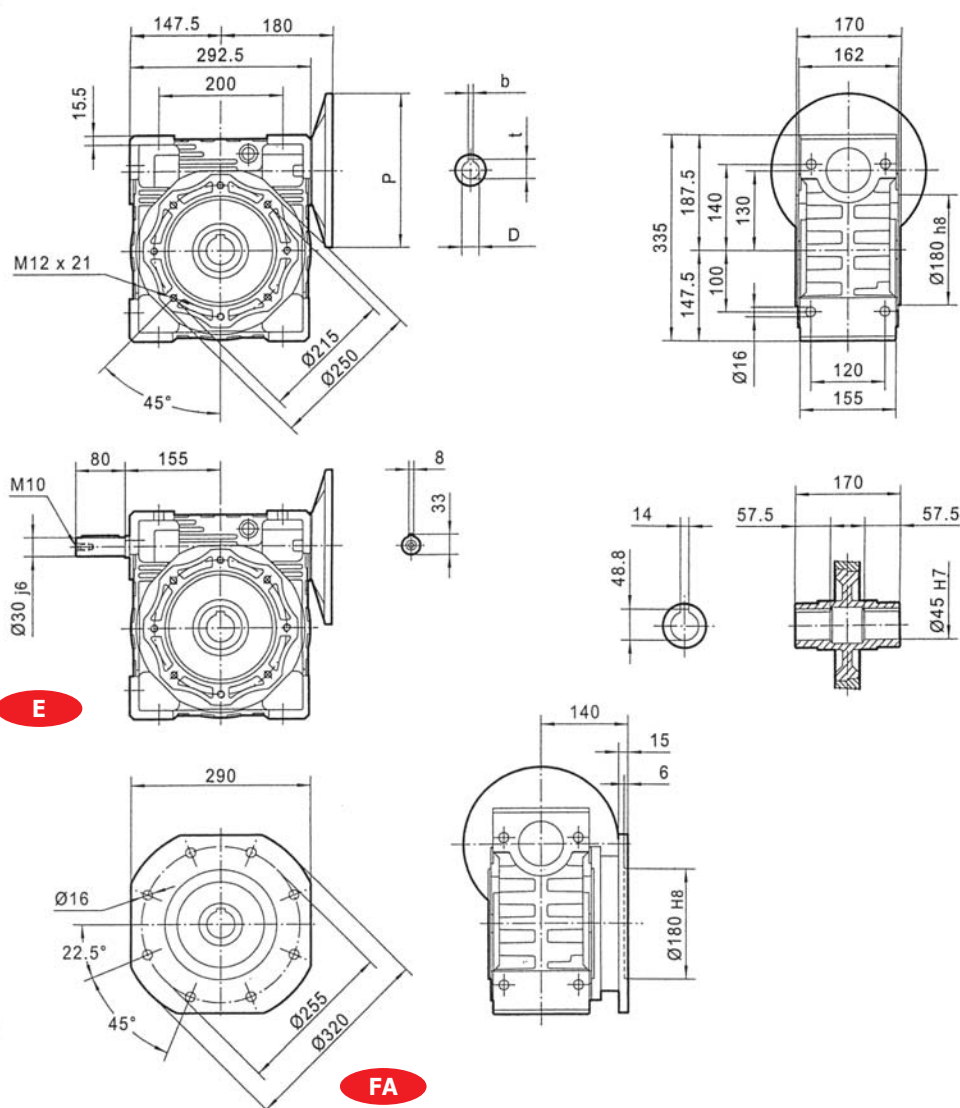
PAM IEC	P	DE8	b	t
132B14	200	38	10	41.3
112B14	160	28	8	31.3
100B14	160	28	8	31.3

Peso Kg 35 senza motore
Weight 35 Kg excluding motor

CHM 130**PRESTAZIONI CON MOTORI A 4 POLI - 1400 GIRI ENTRATA**
PERFORMANCE WITH 4-POLE MOTORS - 1400 REVS. INPUT

TIPO	i=ratio	n2 r/min	Kw=P1	Nm=T2	f.s.	Pred. attacco motore possibili	
TYPE	i=ratio	n2 r/min	Kw=P1	Nm=T2	f.s.	Possible types of motor connections	
	7.5	186.7	7.50	348	2.2	132	B5/B14
	10	140.0	7.50	455	1.8	132	B5/B14
	15	93.3	7.50	660	1.2	132	B5/B14
	20	70.0	7.50	877	1.0	132	B5/B14
CHM 130	25	56.0	7.50	1071	0.9	132	B5/B14
	30	46.7	7.50	1225	0.8	132/112/100	B5/B14
	40	35.0	5.50	1173	0.9	132/112/100	B5/B14
	50	28.0	4.00	1023	0.9	100	B5/B14
	60	23.3	3.00	886	1.1	100	B5/B14
	80	17.5	3.00	1112	0.8	100/90	B5/B14*
	100	14.0	1.50	652	1.1	100/90	B5/B14*

* 90 solo - only B5

DIMENSIONI - DIMENSIONS

PAM IEC	P	DEs	b	t	PAM IEC	P	DEs	b	t
132B5	300	38	10	41.3	132B14	200	38	10	41.3
112B5	250	28	8	31.3	112B14	160	28	8	31.3
100B5	250	28	8	31.3	100B14	160	28	8	31.3
90B5	200	24	8	27.3					

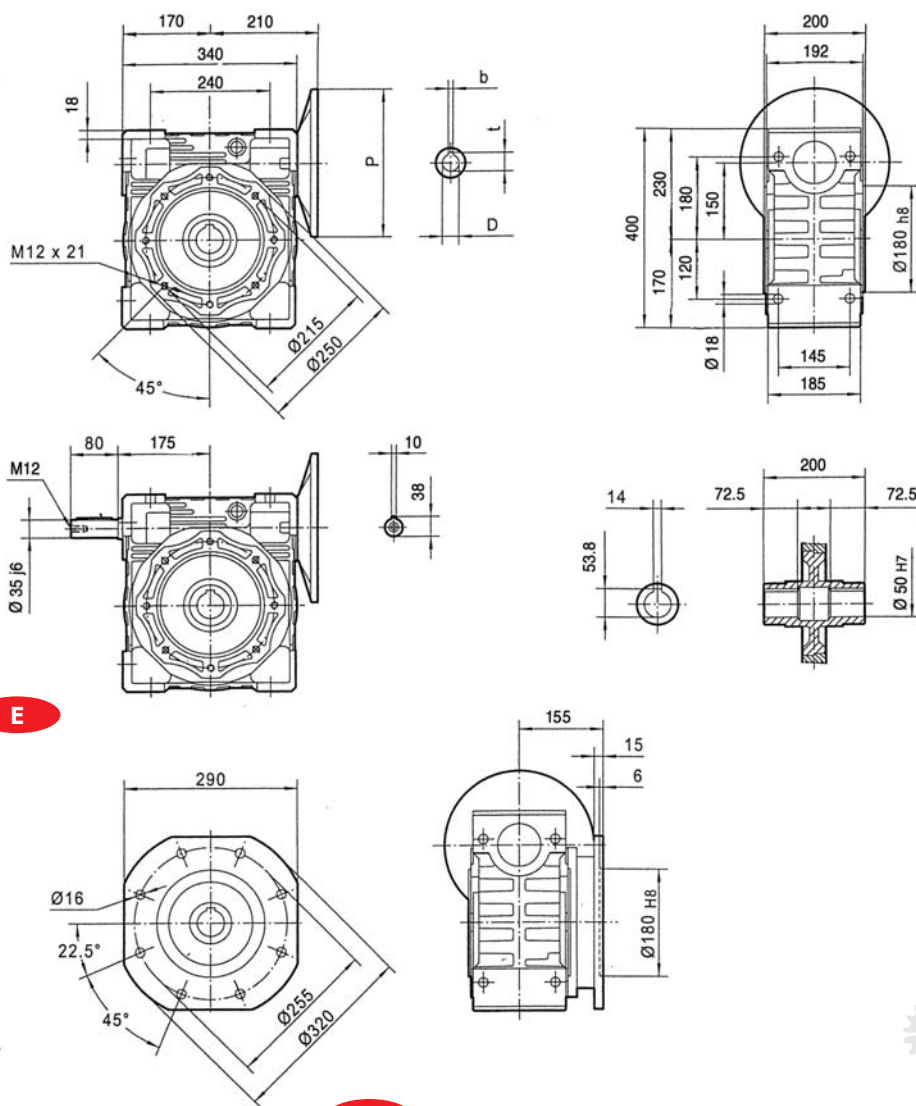
Peso Kg 48 senza motore
Weight 48 Kg excluding motor

CHM 150

PRESTAZIONI CON MOTORI A 4 POLI - 1400 GIRI ENTRATA PERFORMANCE WITH 4-POLE MOTORS - 1400 REVS. INPUT

TIPO	i=ratio	n2 r/min	Kw=P1	Nm=T2	f.s.	Pred. attacco motore possibili	
TYPE	i=ratio	n2 r/min	Kw=P1	Nm=T2	f.s.	Possible types of motor connections	
	7.5	186.7	15	680	1.6	160	B5
	10	140.0	15	905	1.2	160	B5
	15	93.3	15	1310	0.9	160	B5
	20	70.0	11	1270	1.0	160	B5
CHM 150	25	56.0	11	1520	0.8	160	B5
	30	46.7	7.50	1240	0.8	132	B5
	40	35.0	7.50	1560	0.9	132	B5
	50	28.0	5.50	1405	0.9	132	B5
	60	23.3	5.50	1610	0.8	132	B5
	80	17.5	4	1430	0.8	112/100	B5
	100	14.0	3	1300	0.8	112/100	B5

DIMENSIONI - DIMENSIONS

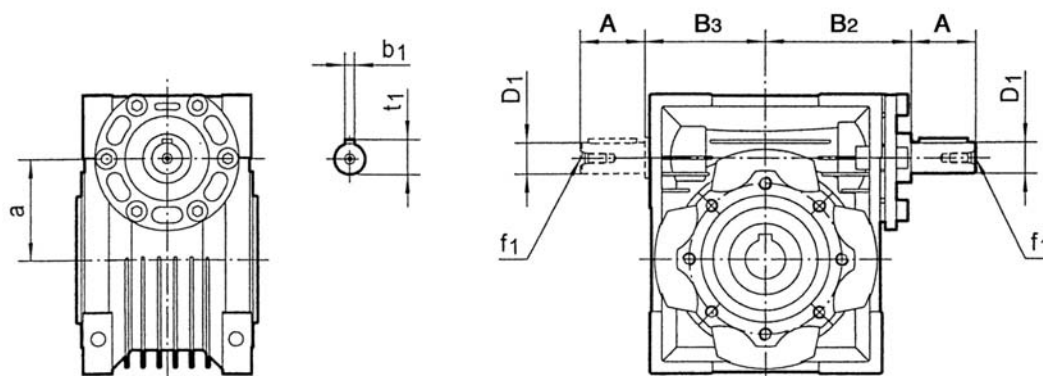


PAM IEC	P	DE8	b	t
160B5	350	42	12	45.3
132B5	300	38	10	41.3
112B5	250	28	8	31.3
100B5	250	28	8	31.3

Peso Kg 84 senza motore
Weight 84 Kg excluding motor

CHMR

CHMR	030	040	050	063	075	090	110	130	150
A	20	23	30	40	50	50	60	80	80
D_{1 j6}	9	11	14	19	24	24	28	30	35
B₂	51	60	74	90	105	125	142	162	195
B₃	45	53	64	75	90	108	135	155	175
a	30	40	50	63	75	90	110	130	150
b₁	3	4	5	6	8	8	8	8	10
f₁	-	-	M6	M6	M8	M8	M10	M10	M12
t₁	10.2	12.5	16	21.5	27	27	31	33	38



Per le dimensioni mancanti riferirsi al corrispondente CHM
 For the missing dimensions, please refer to the CHM correspondent

