



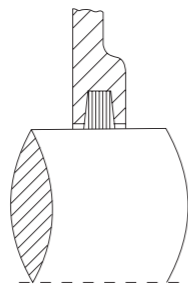
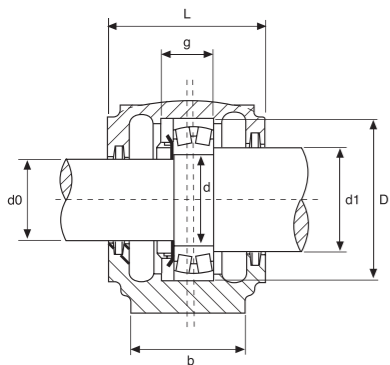
Bearings & Components

**PLUMMER BLOCKS  
SUPPORTI RITTI IN DUE METÀ**

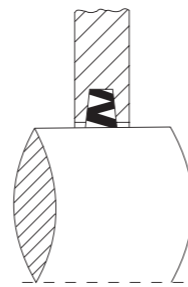


Bearings & Components

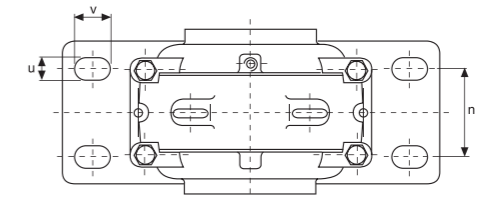
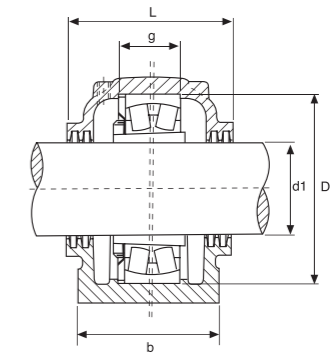
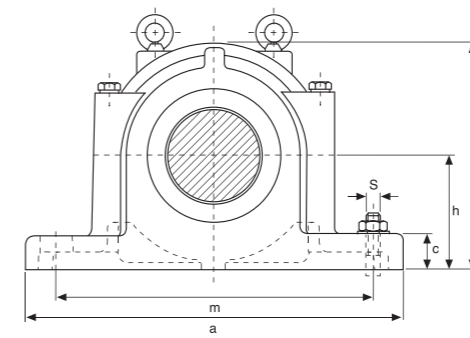
**PLUMMER BLOCKS  
SUPPORTI RITTI IN DUE METÀ**



Tenuta in feltro "TSNC" per: SNG-SNU  
"TSNC" felt seal for: SNG-SNU

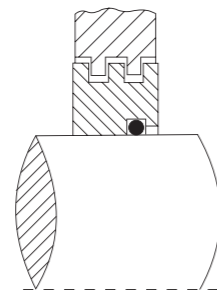
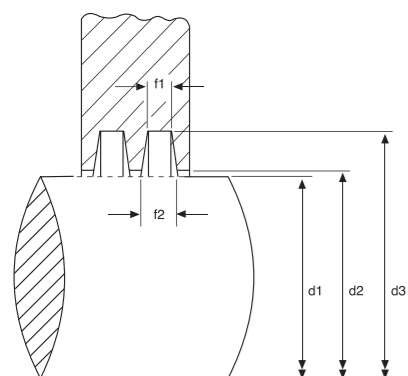


Tenuta in NBR "ZF" per: SN  
"ZF" NBR seal for: SN

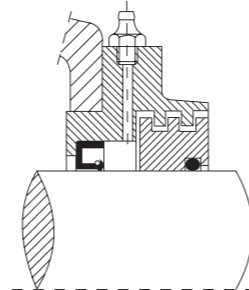


S		Cuscinetto orientabile a sfere Self-aligning ball bearing	Cuscinetto orientabile a rulli Self-aligning roller bearing	Ghiera di bloccaggio Lock nut	Rosetta Washer	"TSNC" Tenuta in feltro Felt seal		"ZF" Tenuta in NBR NBR seal		Anello di centraggio Locating ring		Tipo Type
2 Bull. Fiss. 2 Bolt size	4 Bull. Fiss. 4 Bolt size					d0	d1	d0	d1	Tipo Type	Q.tà Q.ty	
M 12	-	1307	-	KM 07	MB 07	TSNC 307	TSNC 310	ZF 307	ZF 310	SR 80x10	2	SN 307
		2307								SR 80x10	1	
M 12	-	1308	21308	KM 08	MB 08	TSNC 308	TSNC 311	ZF 308	ZF 311	SR 90x10	2	SN 308
		2308	22308							SR 90x10	1	
M 16	-	1309	21309	KM 09	MB 09	TSNC 309	TSNC 312	ZF 309	ZF 312	SR 100x10,5	2	SN 309
		2309	22309							SR 100x10	1	
M 16	-	1310	21310	KM 10	MB 10	TSNC 310	TSNC 313	ZF 310	ZF 313	SR 110x11,5	2	SN 310
		2310	22310							SR 110x10	1	
M 16	M 12	1311	21311	KM 11	MB 11	TSNC 311	TSNC 315	ZF 311	ZF 315	SR 120x12	2	SN 311
		2311	22311							SR 120x10	1	
M 16	M 12	1312	21312	KM 12	MB 12	TSNC 312	TSNC 316	ZF 312	ZF 316	SR 130x12,5	2	SN 312
		2312	22312							SR 130x10	1	
M 20	M 16	1313	21313	KM 13	MB 13	TSNC 313	TSNC 317	ZF 313	ZF 317	SR 140x12,5	2	SN 313
		2313	22313							SR 140x10	1	
M 20	M 16	1315	21315	KM 15	MB 15	TSNC 315	TSNC 319	ZF 315	ZF 319	SR 160x14	2	SN 315
		2315	22315							SR 160x10	1	
M 20	M 16	1316	21316	KM 16	MB 16	TSNC 316	TSNC 320	ZF 316	ZF 320	SR 170x14,5	2	SN 316
		2316	22316							SR 170x10	1	
M 24	M 16	1317	21317	KM 17	MB 17	TSNC 317	TSNC 321	ZF 317	ZF 321	SR 180x14,5	2	SN 317
		2317	22317							SR 180x10	1	
M 24	M 16	1318	21318	KM 18	MB 18	TSNC 318	TSNC 322	ZF 318	ZF 322	SR 190x15,5	2	SN 318
		2318	22318							SR 190x10	1	
M 24	M 16	1319	21319	KM 19	MB 19	TSNC 319	TSNC 324	ZF 319	ZF 324	SR 200x16	2	SN 319
		2319	22319							SR 200x10	1	
M 24	M 16	1320	21320	KM 20	MB 20	TSNC 320	TSNC 326	ZF 320	ZF 326	SR 215x18	2	SN 320
		2320	22320							SR 215x10	1	
M 24	M 16	1322	21322	KM 22	MB 22	TSNC 322	TSNC 328	ZF 322	ZF 328	SR 240x20	2	SN 322
		2322	22322							SR 240x10	1	
M 30	M 20	-	22324	KM 24	MB 24	TSNC 324	TSNC 330	ZF 324	ZF 330	SR 260x10	1	SN 324
M 30	M 20	-	22326	KM 26	MB 26	TSNC 326	TSNC 334	ZF 326	ZF 334	SR 280x10	1	SN 326
M 30	M 20	-	22328	KM 28	MB 28	TSNC 328	TSNC 336	ZF 328	ZF 336	SR 300x10	1	SN 328
M 30	M 20	-	22330	KM 30	MB 30	TSNC 330	TSNC 338	ZF 330	ZF 338	SR 320x10	1	SN 330
M 36	M 24	-	22332	KM 32	MB 32	TSNC 332	TSNC 340	ZF 332	ZF 340	SR 340x10	1	SN 332

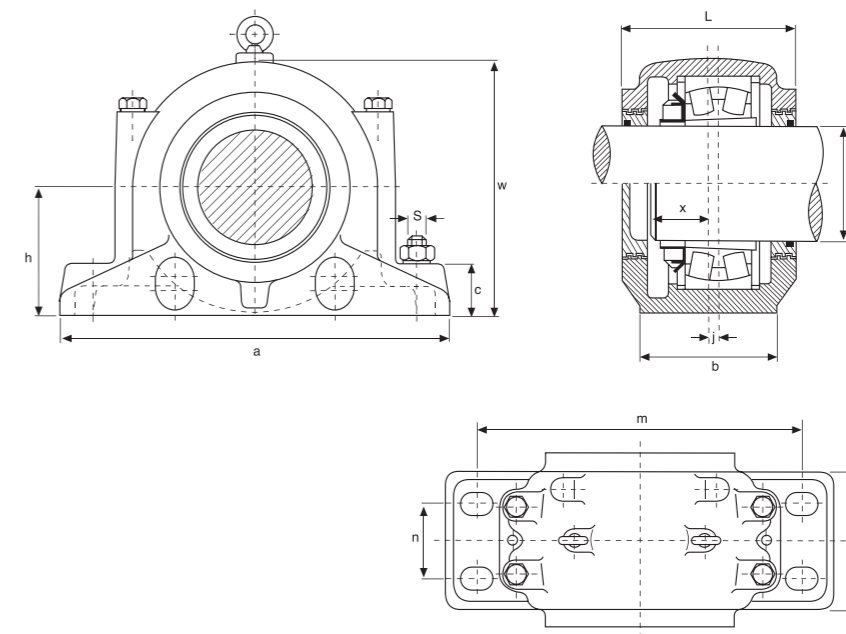
Tipo Type	Diametro albero Shaft diameter	Dimensioni - Dimensions												
	d1	D H8	a	b	c	g H12	h h12	L ± 5	w	m	n	U	V	
	mm	mm												
SD 3034	150	260	540	200	50	77	160	230	320	450	110	36	52	
SD 3036	160	280	560	220	50	84	170	250	340	470	120	36	52	
SD 3038	170	290	560	220	50	85	170	250	345	470	120	36	52	
SD 3040	180	310	620	230	60	92	180	270	360	510	140	36	52	
SD 3044	200	340	700	260	65	100	200	290	400	570	160	36	55	
SD 3048	220	360	740	270	65	102	210	300	420	610	170	36	55	
SD 3052	240	400	820	300	70	114	240	330	475	680	190	43	62	
SD 3056	260	420	860	320	85	116	250	350	500	710	200	43	62	
SD 3060	280	460	920	330	85	128	280	360	550	770	210	43	62	
SD 3064	300	480	940	340	85	131	280	370	560	790	210	43	62	
SD 3068	320	520	1020	370	100	143	310	400	615	860	230	50	70	
SD 3072	340	540	1060	390	100	144	325	410	640	890	250	50	70	
SD 3076	360	560	1080	390	100	145	340	410	665	900	260	50	70	



**Tenuta a labirinto "TS" per: SN-SD**  
"TS" labyrinth seal for: SN-SD

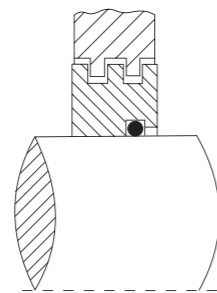
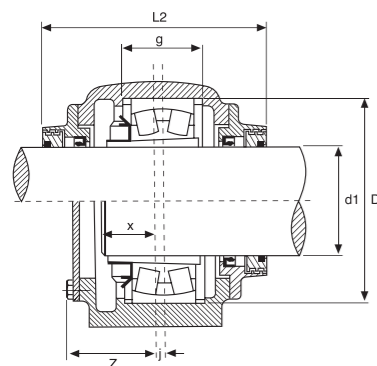


**Chiusura di taconite "TAC" per: SN-SD**  
"TAC" taconite cover for: SN-SD

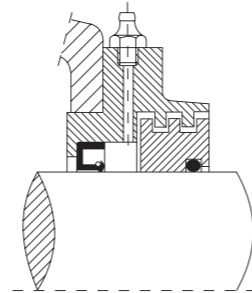


Bull. fiss. Bolt Size	Dimensioni - Dimensions				Peso Weight kg	Cuscinetto orientabile a rulli (foro conico) Self-aligning roller bearing (conical bore)	Bussola (metrica) Adapter sleeve (metric)	Anello di centraggio Locating ring		"TS" Tenuta a labirinto Labyrinth seal	"ETS" Coperchio Cover
	d2 H12	d3 H12	f1 H13	f2				Tipo Type	Q.tà Q.ty		
S	mm										
M 30	153	183	10	13,8	62	23034 K	H 3034	SR 260x10	1	TS 3034	ETS 3034
M 30	163	193	10	13,8	78	23036 K	H 3036	SR 280x10	1	TS 3036	ETS 3036
M 30	173	203	10	13,8	82	23038 K	H 3038	SR 290x10	1	TS 3038	ETS 3038
M 30	183	213	10	13,8	92	23040 K	H 3040	SR 310x10	1	TS 3040	ETS 3040
M 30	203	240	11	15,7	125	23044 K	H 3044	SR 340x10	1	TS 3044	ETS 3044
M 30	223	260	11	15,7	140	23048 K	H 3048	SR 360x10	1	TS 3048	ETS 3048
M 36	243	286	12	17,4	200	23052 K	H 3052	SR 400x10	1	TS 3052	ETS 3052
M 36	263	306	12	17,4	230	23056 K	H 3056	SR 420x10	1	TS 3056	ETS 3056
M 36	283	332	13	19,1	290	23060 K	H 3060	SR 460x10	1	TS 3060	ETS 3060
M 36	303	352	13	19,1	300	23064 K	H 3064	SR 480x10	1	TS 3064	ETS 3064
M 42	323	372	13	19,1	400	23068 K	H 3068	SR 520x10	1	TS 3068	ETS 3068
M 42	343	392	13	19,1	450	23072 K	H 3072	SR 540x10	1	TS 3072	ETS 3072
M 42	363	412	13	19,1	470	23076 K	H 3076	SR 560x10	1	TS 3076	ETS 3076

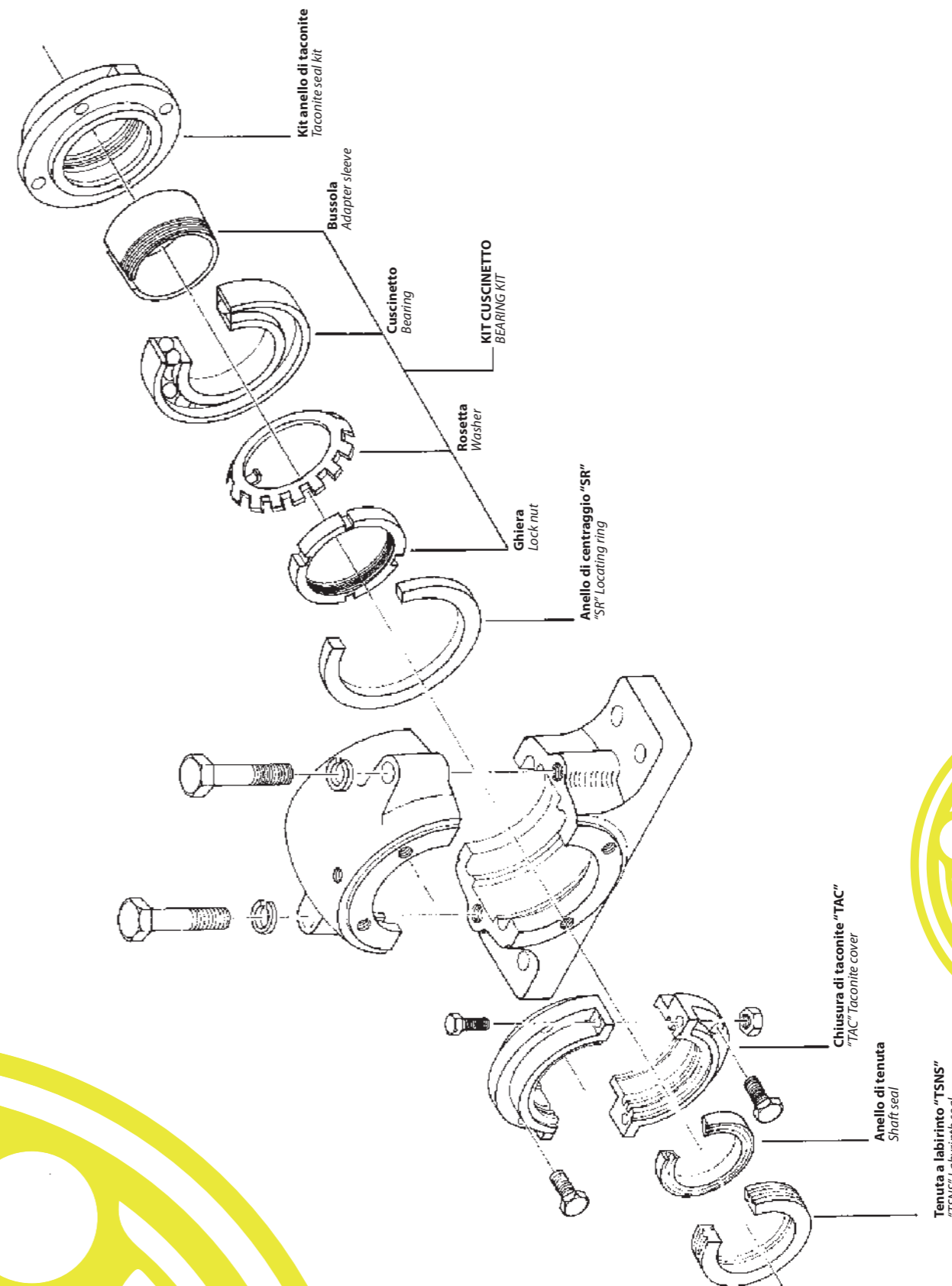
Tipo Type	Diametro albero Shaft diameter		Dimensioni - Dimensions													
	d1		D H8	a	b	c	g H12	h h12	L ± 5	L2	w	m	n	U	U	
	mm	inch	mm													
SD 3134	150	6	280	510	180	70	108	170	230	308	335	430	100	30	36	
SD 3136	160	6½	300	530	190	75	116	180	240	318	355	450	110	30	36	
SD 3138	170	6¾	320	560	210	80	124	190	260	336	375	480	120	30	38	
SD 3140	180	7	340	610	230	85	132	210	280	356	410	510	130	35	40	
SD 3144	200	-	370	640	240	90	140	220	290	368	435	540	140	35	40	
SD 3148	220	-	400	700	260	95	148	240	310	388	475	600	150	35	40	
SD 3152	240	-	440	770	280	100	164	260	320	400	515	650	160	40	48	
SD 3156	260	-	460	790	280	105	166	280	320	400	550	670	160	42	50	
SD 3160	280	-	500	830	310	110	180	300	350	426	590	710	190	42	60	
SD 3164	300	-	540	880	330	115	196	320	370	448	630	750	200	42	60	
SD 3168	320	-	580	965	380	120	210	340	390	488	670	840	240	49	59	
SD 3172	340	-	600	1040	390	130	212	360	390	498	720	890	255	49	59	
SD 3176	360	-	620	1120	400	135	214	380	405	520	750	980	255	60	72	
SD 3180	380	-	650	1245	420	140	220	400	425	543	790	1050	270	65	78	



Tenuta a labirinto "TS" per: SN-SD  
"TS" labyrinth seal for: SN-SD



Chiusura di taconite "TAC" per: SN-SD  
"TAC" taconite cover for: SN-SD



Dimensioni - Dimensions			Bull. fiss. Bolt Size	Peso Weight	Cuscinetto orientabile a rulli (foro conico) Self-aligning roller bearing (conical bore)	Bussola Adapter sleeve		Anello di centraggio Locating ring		"TS" Tenuta a labirinto Labyrinth seal	"ETS" Coperchio Cover	"TAC" Chiusura di taconite Taconite cover
J	X	Z				S	mm	inch	Tipo Type			
14	65	120	M 24	70	23134 K	H 3134	HE 3134	SR 280x10	2	TS 3134	ETS 3134	TAC 3134
15	68	130	M 24	72	23136 K	H 3136	HE 3136	SR 300x10	2	TS 3136	ETS 3136	TAC 3136
10	80	140	M 24	88	23138 K	H 3138	HE 3138	SR 320x10	2	TS 3138	ETS 3138	TAC 3138
10	82	150	M 30	122	23140 K	H 3140	HE 3140	SR 340x10	2	TS 3140	ETS 3140	TAC 3140
12	90	155	M 30	136	23144 K	H 3144	-	SR 370x10	2	TS 3144	ETS 3144	TAC 3144
12	100	160	M 30	190	23148 K	H 3148	-	SR 400x10	2	TS 3148	ETS 3148	TAC 3148
13	105	170	M 36	238	23152 K	H 3152	-	SR 440x10	2	TS 3152	ETS 3152	TAC 3152
16	105	170	M 36	252	23156 K	H 3156	-	SR 460x10	2	TS 3156	ETS 3156	TAC 3156
22	110	190	M 36	290	23160 K	H 3160	-	SR 500x10	2	TS 3160	ETS 3160	TAC 3160
23	120	200	M 36	340	23164 K	H 3164	-	SR 540x10	2	TS 3164	ETS 3164	TAC 3164
25	135	220	M 45	430	23168 K	H 3168	-	SR 580x10	2	TS 3168	ETS 3168	TAC 3168
22	145	225	M 50	560	23172 K	H 3172	-	SR 600x10	2	TS 3172	ETS 3172	TAC 3172
22	145	240	M 55	770	23176 K	H 3176	-	SR 620x10	2	TS 3176	ETS 3176	TAC 3176
22	150	260	M 60	870	23180 K	H 3180	-	SR 650x10	2	TS 3180	ETS 3180	TAC 3180