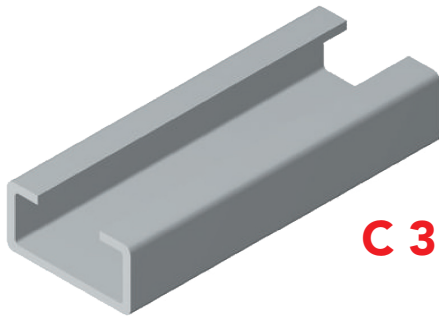




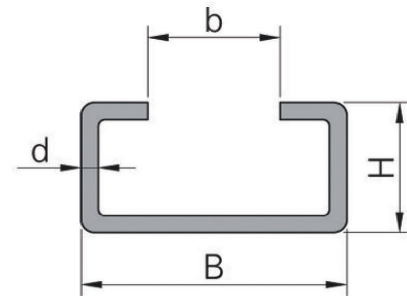
# C 3 - 5 - 9 - 10 - 11

MADE IN ITALY

Material: galvanized steel FE  
AISI 304 steel

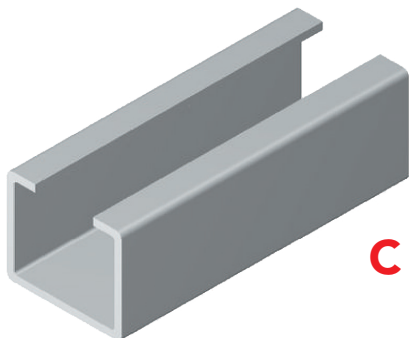


## C 3 - 5 - 9

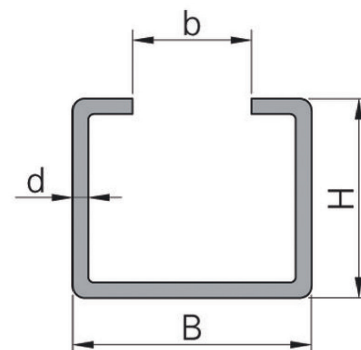


DESCRIPTION	ARTICLE CODE	B	H	b	d	WEIGHT
GALVANIZED STEEL FE		mm	mm	mm	mm	Kg/piece
<b>C-3 ZINCATO</b>	<b>GC 0 00 03 2</b>	20.0	10.0	10.0	1.5	0,86
<b>C-5 ZINCATO</b>	<b>GC 0 00 05 2</b>	28.0	12.0	14.0	1.5	1,70
<b>C-9 ZINCATO</b>	<b>GC 0 00 09 2</b>	38.0	18.0	22.0	1.5	1,96
<b>C-10 ZINCATO</b>	<b>GC 0 00 10 2</b>	30.0	24.0	20.0	1.5	1,88
<b>C-11 ZINCATO</b>	<b>GC 0 00 11 2</b>	45.0	40.0	31.0	1.5	4,10

DESCRIPTION	ARTICLE CODE	B	H	b	d	WEIGHT
AISI 304 STEEL		mm	mm	mm	mm	Kg/piece
<b>C-3 INOX</b>	<b>GC 0 10 03 2</b>	20.0	10.0	10.0	1.5	0,86
<b>C-5 INOX</b>	<b>GC 0 10 05 2</b>	28.0	12.0	14.0	1.5	1,70
<b>C-9 INOX</b>	<b>GC 0 10 09 2</b>	38.0	18.0	22.0	1.5	1,96
<b>C-10 INOX</b>	<b>GC 0 10 10 2</b>	30.0	24.0	20.0	1.5	1,88
<b>C-11 INOX</b>	<b>GC 0 10 11 2</b>	45.0	40.0	31.0	1.5	4,10



## C 10 - 11



**Note:** all value have been measured in standard weather conditions: 23°C/73°F with 50% relative humidity (DIN 50005/ISO 554)