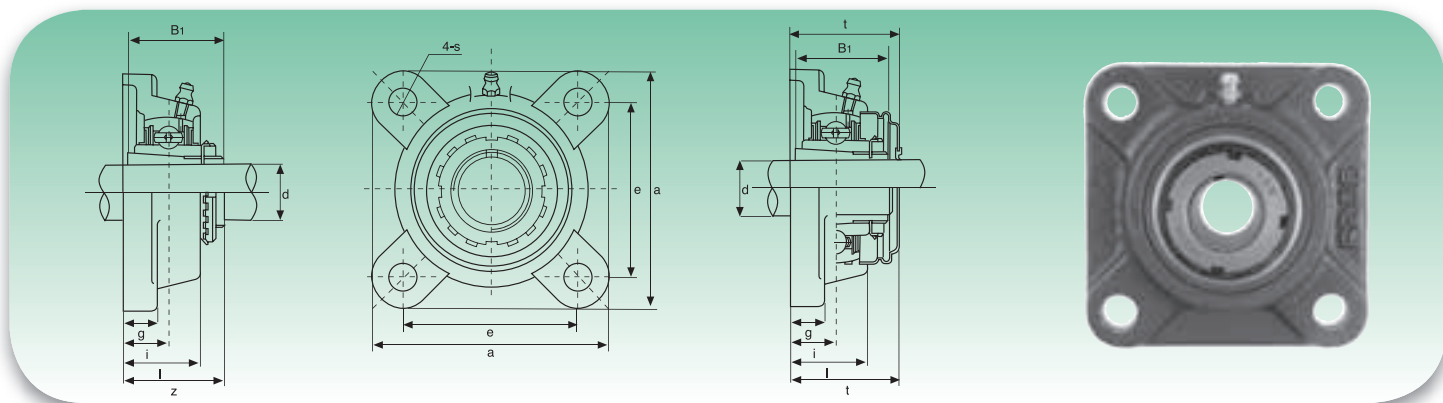


SUPPORTI A FLANGIA QUADRA CON BUSSOLA - SQUARE BEARING UNITS WITH ADAPTER SLEEVE



UKF2 Serie normale - Standard duty



Tipo Type	Dimensioni - Dimensions										Bull. fiss. Bolt Size	Coefficients di carico (N) Load ratings (N)		Cuscinetto Bearing	Supporto Housing	Peso Weight
	d	a	e	i	g	l	s	z	t	B1		Dinamico C Dynamic C	Statico C ₀ Static C ₀			
	mm/inch											mm/inch				
UKF205+H2305	20	95	70	16	14	27	12	35,5	40	35	M10	13300	7457	UK205+H2305	F205	0,85
UKF205+HE2305	¾	3¾	2¾	5/8	35/64	11/16	15/32	125/64	19/16	1,378	3/8			UK205+HE2305		
UKF206+H2306	25	108	83	18	14	31	12	39	44,5	38	M10	18525	10735	UK206+H2306	F206	1,16
UKF206+HS2306	7/8	4¼	317/64	45/64	35/64	17/32	15/32	117/32	1¾	1,496	3/8			UK206+HS2306		
UKF206+HE2306	1													UK206+HE2306		
UKF207+H2307	30	117	92	19	16	34	14	42,5	48,5	43	M12	24415	14630	UK207+H2307	F207	1,55
UKF207+HS2307	11/8	439/64	35/8	¾	5/8	111/32	35/64	143/64	129/32	1,693	7/16			UK207+HS2307		
UKF208+H2308	35	130	102	21	16	36	16	46,5	55,5	46	M14	27645	16910	UK208+H2308	F208	1,94
UKF208+HE2308	1¼	51/8	41/64	53/64	5/8	127/64	5/8	153/64	23/16	1,811	½			UK208+HE2308		
UKF208+HS2308	13/8													UK208+HS2308		
UKF209+H2309	40	137	105	22	18	38	16	48,5	56,5	50	M14	32395	20235	UK209+H2309	F209	2,30
UKF209+HA2309	17/16													UK209+HA2309		
UKF209+HE2309	1½	513/32	49/64	55/64	23/32	1½	5/8	129/32	27/32	1,969	½	UK209+HE2309				
UKF209+HS2309	15/8													UK209+HS2309		
UKF210+H2310	45	143	111	22	18	40	16	50	59,5	55	M14	33345	22135	UK210+H2310	F210	2,59
UKF210+HS2310	15/8													UK210+HS2310		
UKF210+HA2310	111/16	55/8	43/8	55/64	23/32	19/16	5/8	131/32	211/32	2,165	½	UK210+HA2310				
UKF210+HE2310	1¾													UK210+HE2310		
UKF211+H2311	50	162	130	25	20	43	19	54,5	63	59	M16	41230	27930	UK211+H2311	F211	3,46
UKF211+HS2311	17/8													UK211+HS2311		
UKF211+HA2311	115/16	63/8	51/8	63/64	25/32	111/16	¾	29/64	231/64	2,323	5/8	UK211+HA2311				
UKF211+HE2311	2													UK211+HE2311		
UKF212+H2312	55	175	143	29	20	48	19	61	73,5	62	M16	49780	34390	UK212+H2312	F212	4,33
UKF212+HS2312	21/8	657/64	55/8	19/64	25/32	157/64	¾	219/32	257/64	2,441	5/8			UK212+HS2312		
UKF213+H2313	60	187	149	30	22	50	19	64	74,5	65	M16	54340	38095	UK213+H2313	F213	4,90
UKF213+HA2313	23/16													UK213+HA2313		
UKF213+HE2313	2¼	723/64	555/64	13/16	55/64	131/32	¾	233/64	215/16	2,559	5/8	UK213+HE2313				
UKF213+HS2313	23/8													UK213+HS2313		
UKF215+H2315	65	200	159	34	22	56	19	71	83,5	73	M16	64030	45885	UK215+H2315	F215	7,02
UKF215+HA2315	27/16													UK215+HA2315		
UKF215+HE2315	2½	77/8	617/64	111/32	55/64	27/32	¾	251/64	39/32	2,874	5/8	UK215+HE2315				
UKF216+H2316	70	208	165	34	22	58	23	73,5	88,5	78	M20	69065	50350	UK216+H2316	F216	7,76
UKF216+HA2316	211/16													UK216+HA2316		
UKF216+HE2316	2¾	83/16	6½	111/32	55/64	29/32	29/32	257/64	331/64	3,071	¾	UK216+HE2316				
UKF217+H2317	75	220	175	36	24	63	23	77	92,6	82	M20	79800	58805	UK217+H2317	F217	10,08
UKF217+HA2317	215/16													UK217+HA2317		
UKF217+HE2317	3	821/32	657/64	127/64	15/16	215/32	29/32	31/32	341/64	3,228	¾	UK217+HE2317				
UKF218+H2318	80	235	187	40	24	68	23	81,5	101,5	86	M20	91295	67925	UK218+H2318	F218	12,44
UKF218+HA2318	33/16	9¼	723/64	137/64	15/16	211/16	29/32	313/64	4	3,386	¾			UK218+HA2318		

Bussole HA; HE; HS con filettatura in pollici
Inch dimension adapter sleeves HA; HE; HS