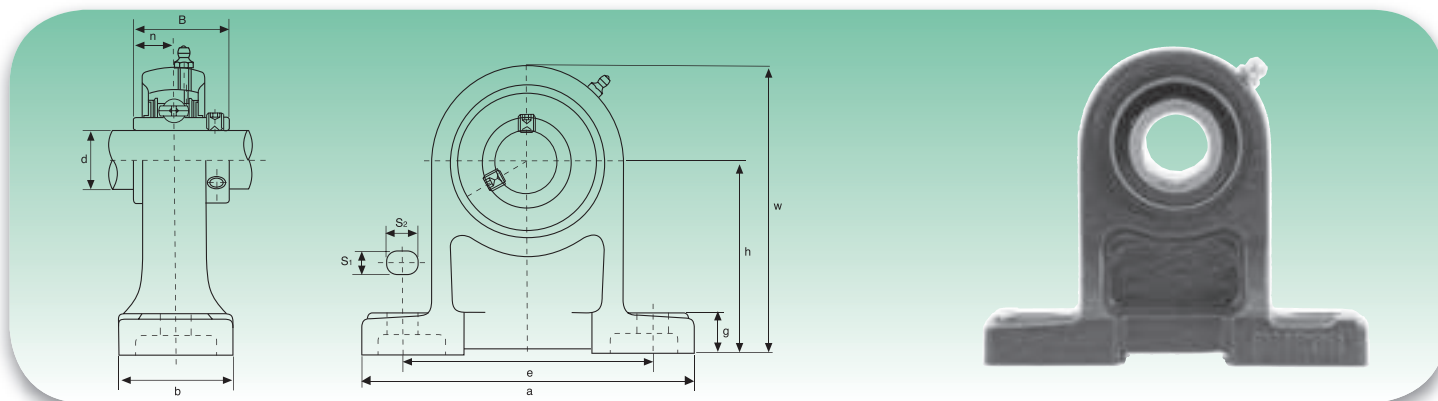


SUPPORTI RITTI CON PIEDISTALLO - PEDESTAL PILLOW BLOCKS



UCPH2 Serie normale - Standard duty



Tipo Type	Dimensioni - Dimensions											Bull. fess. Bolt Size	Coefficients di carico (N) Load ratings (N)		Cuscinetto Bearing	Supporto Housing	Peso Weight	
	d	h	a	e	b	S <sub>1</sub>	S <sub>2</sub>	g	w	B	n		Dinamico C Dynamic C	Statico C <sub>0</sub> Static C <sub>0</sub>				kg
	mm/inch												mm/inch					
UCPH201 UCPH201-8	12 ½	70 2¾	127 5	95 3¾	40 19/16	13 ½	19 ¾	15 19/32	101 363/64	31 1,2205	12,7 0,500	M10 3/8	12160	6318	UC201 UC201-8	PH203	0,81 0,80	
UCPH202 UCPH202-9 UCPH202-10	15 9/16 5/8	70 2¾	127 5	95 3¾	40 19/16	13 ½	19 ¾	15 19/32	101 363/64	31 1,2205	12,7 0,500	M10 3/8	12160	6318	UC202 UC202-9 UC202-10	PH203	0,80 0,80 0,80	
UCPH203 UCPH203-11	17 11/16	70 2¾	127 5	95 3¾	40 19/16	13 ½	19 ¾	15 19/32	101 363/64	31 1,2205	12,7 0,500	M10 3/8	12160	6318	UC203 UC203-11	PH203	0,79 0,78	
UCPH204 UCPH204-12	20 ¾	70 2¾	127 5	95 3¾	40 19/16	13 ½	19 ¾	15 19/32	101 363/64	31 1,2205	12,7 0,500	M10 3/8	12160	6318	UC204 UC204-12	PH204	0,77 0,77	
UCPH205 UCPH205-13 UCPH205-14 UCPH205-15 UCPH205-16	25 13/16 7/8 15/16 1	80 35/32	140 5½	105 41/8	50 131/32	13 ½	19 ¾	16 5/8	114 431/64	34,1 1,3425	14,3 0,563	M10 3/8	13300	7457	UC205 UC205-13 UC205-14 UC205-15 UC205-16	PH205	1,01 1,05 1,04 1,02 1,01	
UCPH206 UCPH206-17 UCPH206-18 UCPH206-19 UCPH206-20	30 11/16 11/8 13/16 1¼	90 335/64	161 611/32	121 4¾	50 131/32	17 43/64	21 53/64	17 43/64	130 51/8	38,1 1,5000	15,9 0,626	M14 ½	18525	10735	UC206 UC206-17 UC206-18 UC206-19 UC206-20	PH206	1,47 1,50 1,49 1,47 1,46	
UCPH207 UCPH207-20 UCPH207-21 UCPH207-22 UCPH207-23	35 1¼ 15/16 13/8 17/16	95 347/64	166 617/32	127 5	60 223/64	17 43/64	21 53/64	18 45/64	140 533/64	42,9 1,6890	17,5 0,689	M14 ½	24415	14630	UC207 UC207-20 UC207-21 UC207-22 UC207-23	PH207	1,91 1,97 1,94 1,91 1,88	
UCPH208 UCPH208-24 UCPH208-25	40 1½ 19/16	100 315/16	178 71/64	137 513/32	70 2¾	17 43/64	21 53/64	19 ¾	150 529/32	49,2 1,9370	19 0,748	M14 ½	27645	16910	UC208 UC208-24 UC208-25	PH208	2,52 2,56 2,53	
UCPH209 UCPH209-26 UCPH209-27 UCPH209-28	45 15/8 111/16 1¾	105 49/64	189 77/16	146 5¾	70 2¾	17 43/64	21 53/64	20 25/32	158 67/32	49,2 1,9370	19 0,748	M14 ½	32395	20235	UC209 UC209-26 UC209-27 UC209-28	PH209	2,72 2,82 2,78 2,74	
UCPH210 UCPH210-29 UCPH210-30 UCPH210-31 UCPH210-32	50 113/16 17/8 115/16 2	110 421/64	205 85/64	159 6¼	70 2¾	20 25/32	23 29/32	21 53/64	165 6½	51,6 2,0315	19 0,748	M16 5/8	33345	22135	UC210 UC210-29 UC210-30 UC210-31 UC210-32	PH210	3,10 3,22 3,17 3,12 3,08	
UCPH211 UCPH211-32 UCPH211-33 UCPH211-34 UCPH211-35	55 2 21/16 21/8 23/16	120 423/32	219 85/8	171 647/64	75 261/64	20 25/32	23 29/32	22 55/64	181 71/8	55,6 2,1890	22,2 0,874	M16 5/8	41230	27930	UC211 UC211-32 UC211-33 UC211-34 UC211-35	PH211	- - - -	
UCPH212 UCPH212-36 UCPH212-37 UCPH212-38 UCPH212-39	60 2¼ 25/16 23/8 27/16	130 51/8	241 9½	184 7¼	85 311/32	20 25/32	23 29/32	25 63/64	197 7¾	65,1 2,5630	25,4 1,000	M16 5/8	49780	34390	UC212 UC212-36 UC212-37 UC212-38 UC212-39	PH212	- - - -	
UCPH213 UCPH213-40 UCPH213-41	65 2½ 29/16	140 533/64	265 107/16	203 8	95 3¾	25 63/64	28 13/32	27 11/16	212 811/32	65,1 2,5630	25,4 1,000	M20 ¾	54340	38095	UC213 UC213-40 UC213-41	PH213	- - -	
UCPH214 UCPH214-42 UCPH214-43 UCPH214-44	70 25/8 211/16 2¾	150 529/32	266 1015/32	210 817/64	105 59/64	25 63/64	28 13/32	28 17/64	225 855/64	74,6 2,9370	30,2 1,189	M20 ¾	59090	41895	UC214 UC214-42 UC214-43 UC214-44	PH214	- - - -	
UCPH215 UCPH215-45 UCPH215-46 UCPH215-47 UCPH215-48	75 213/16 27/8 215/16 3	160 519/64	275 1053/64	217 835/64	115 417/32	25 63/64	28 13/32	29 19/64	238 93/8	77,8 3,0630	33,3 1,311	M20 ¾	64030	45885	UC215 UC215-45 UC215-46 UC215-47 UC215-48	PH215	- - - - -	
UCPH216 UCPH216-49 UCPH216-50 UCPH216-51	80 31/16 31/8 33/16	170 611/16	292 11½	232 91/8	125 459/64	25 63/64	28 13/32	30 13/16	253 961/64	82,6 3,2520	33,3 1,311	M20 ¾	69065	50350	UC216 UC216-49 UC216-50 UC216-51	PH216	- - - -	

Disponibile in acciaio inox Supporto: AISI 304 - Cuscinetto: AISI 440C o 420C - Available stainless steel Housing: AISI 304 - Bearing: AISI 440C or 420C  
Disponibile su richiesta con cuscinetto SA (SAPH) - Available under request with SA bearing (SAPH)