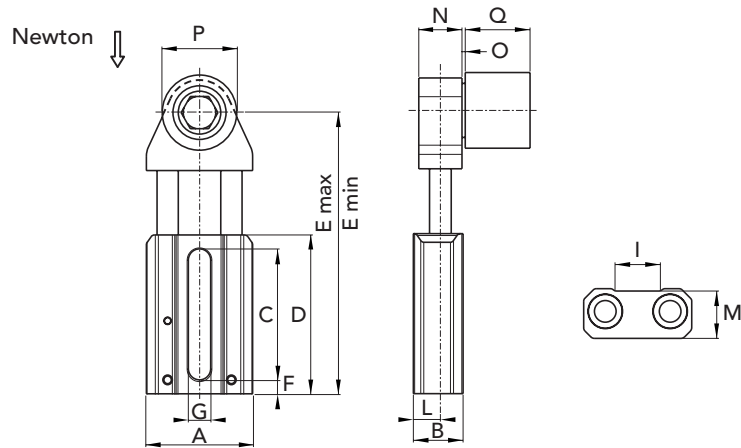




CHIARAVALLI GROUP BRAND CHT® LINEAR BELT TENSIONER CHT - ASRU

- AS tensioner with roller belt-tensioner RU
- Dry self-lubricating bushings in standard PTFE
- The quote N is calculated thanks to pressure tests performed in a technical laboratory. The values shown have a tolerance of $\pm 5\%$
- On request available with stainless steel pins, springs, plugs and washers



TYPE	P. NUMBER ALUMINUM	P. NUMBER STAINLESS	P. NUMBER POLYAMIDE	Newton	A	B	C	D	E min	E max	F	G	I	L	M	N	O	P	Q
ASRU1-3035	94021035	94021235	94021135	280	50	23	61	74	105	129	6,5	10,5	20	12,5	22	20	2,5	30	35
ASRU1-4045	94021045	94021245	94021145	280	50	23	61	74	105	129	6,5	10,5	20	12,5	22	20	2,5	40	45
ASRU1-5050	94021050	94021250	94021150	280	50	23	61	74	105	129	6,5	10,5	20	12,5	22	20	2,5	50	50
ASRU2-5050	94022050	94022250	94022150	460	67	28	73	87	133	165	7	12,5	25	15	25,5	25	2,5	50	50
ASRU3-5050	94023050	94023250	94023150	690	80	32,5	88	104	154	195	8	14,5	29,5	17,5	28,5	30	2,5	50	50
ASRU3-6060	94023060	94023260	94023160	690	80	32,5	88	104	154	195	8	14,5	29,5	17,5	28,5	30	2,5	60	60

TYPE	WEIGHT kg. ALUMINUM	WEIGHT kg. STAINLESS	WEIGHT kg. POLYAMIDE
ASRU1-3035	0,35	0,40	0,32
ASRU1-4045	0,46	0,59	0,43
ASRU1-5050	0,55	0,86	0,50
ASRU2-5050	0,81	1,13	0,76
ASRU3-5050	1,18	1,48	1,11
ASRU3-6060	1,34	1,95	1,22

ROLLER MATERIAL: POLYAMIDE (PA)
ALUMINUM (AL)
GALVANIZED STEEL (GS)

CAD drawings available on our site
www.chiaravalli.com

Quantity, availability and prices
on B2B Chiaravalli

