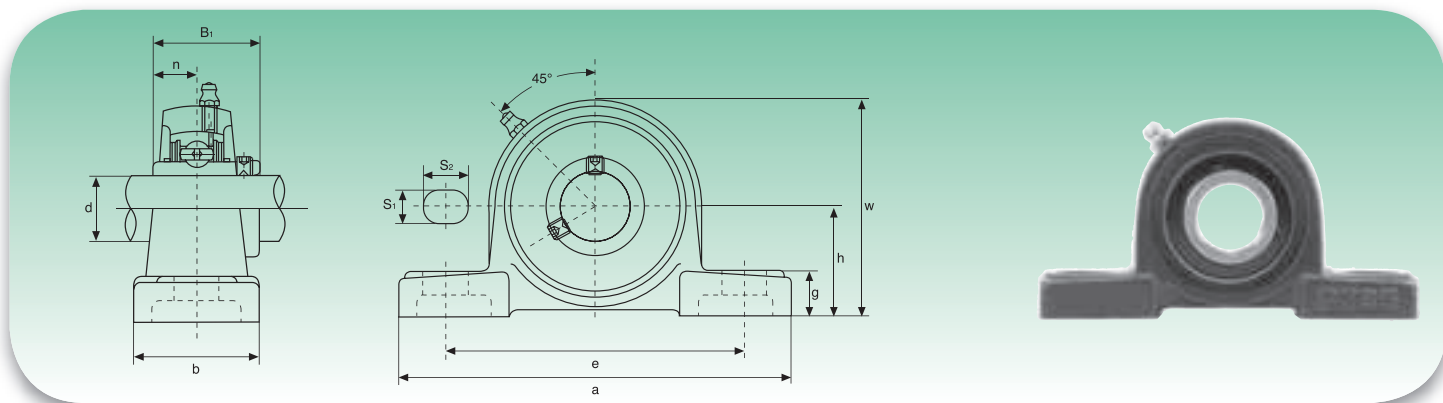


SUPPORTI RITTI - BEARING UNITS



UCP3 Serie pesante - Heavy duty



Tipo Type	Dimensioni - Dimensions											Bull. fiss. Bolt Size	Coefficienti di carico (N) Load ratings (N)		Cuscinetto Bearing	Supporto Housing	Peso Weight												
	d	h	a	e	b	S ₁	S ₂	g	w	B ₁	n		Dinamico C Dynamic C	Statico C ₀ Static C ₀				kg											
	mm/inch												mm/inch																
UCP305 UCP305-13 UCP305-14 UCP305-15 UCP305-16	25 13/16 7/8 15/16 1	45	175	132	45	17	20	15	85	38	15	M14	20140	10355	UC305 UC305-13 UC305-14 UC305-15 UC305-16	P305	1,4												
UCP306 UCP306-17 UCP306-18 UCP306-19	30 11/16 11/8 13/16	50	180	140	50	17	20	18	95	43	17	M14			25365			14250	UC306 UC306-17 UC306-18 UC306-19	P306	1,8								
UCP307 UCP307-20 UCP307-21 UCP307-22 UCP307-23	35 1 1/4 15/16 13/8 17/16	56	210	160	56	17	25	20	106	48	19	M14			31730			18335	UC307 UC307-20 UC307-21 UC307-22 UC307-23			P307	2,8						
UCP308 UCP308-24 UCP308-25	40 1 1/2 19/16	60	220	170	60	17	27	22	116	52	19	M14							38665					22800	UC308 UC308-24 UC308-25	P308	3,0		
UCP309 UCP309-26 UCP309-27 UCP309-28	45 15/8 111/16 1 3/4	67	245	190	67	20	30	24	129	57	22	M16							46455					28025	UC309 UC309-26 UC309-27 UC309-28			P309	4,1
UCP310 UCP310-29 UCP310-30 UCP310-31	50 113/16 17/8 115/16	75	275	212	75	20	35	27	143	61	22	M16	58900	36385		UC310 UC310-29 UC310-30 UC310-31	P310			5,8									
UCP311 UCP311-32 UCP311-33 UCP311-34 UCP311-35	55 2 21/16 21/8 23/16	80	310	236	80	20	38	30	154	66	25	M16				68020					42750				UC311 UC311-32 UC311-33 UC311-34 UC311-35	P311	7,4		
UCP312 UCP312-36 UCP312-37 UCP312-38 UCP312-39	60 2 1/4 25/16 23/8 27/16	85	330	250	85	25	38	32	165	71	26	M20			77805			49590				UC312 UC312-36 UC312-37 UC312-38 UC312-39	P312		9,4				
UCP313 UCP313-40 UCP313-41	65 2 1/2 29/16	90	340	260	90	25	38	33	176	75	30	M20										88065							
UCP314 UCP314-42 UCP314-43 UCP314-44	70 25/8 211/16 2 3/4	95	360	280	90	27	40	35	187	78	33	M22							98800					64790				UC314 UC314-42 UC314-43 UC314-44	P314
UCP315 UCP315-45 UCP315-46 UCP315-47 UCP315-48	75 216/8 27/8 215/16 3	100	380	290	100	27	40	35	198	82	32	M22	107350	73340			UC315 UC315-45 UC315-46 UC315-47 UC315-48			P315								14	
UCP316 UCP316-49 UCP316-50 UCP316-51	80 31/16 31/8 33/16	106	400	300	110	27	40	40	210	86	34	M22				111850	82365				UC316 UC316-49 UC316-50 UC316-51					P316	18		
UCP317 UCP317-52 UCP317-53 UCP317-55	85 3 3/4 35/16 37/16	112	420	320	110	33	45	40	220	96	40	M27			126350			91960			UC317 UC317-52 UC317-53 UC317-55		P317		20				
UCP318 UCP318-55 UCP318-56	90 37/16 3 1/2	118	430	330	110	33	45	45	235	96	40	M27									135850	101650							
UCP319 UCP319-58 UCP319-59 UCP319-60	95 35/8 311/16 3 3/4	125	470	360	120	36	50	45	250	103	41	M30							145350					113050					UC319 UC319-58 UC319-59 UC319-60
UCP320 UCP320-64	100 4	140	490	380	120	36	50	50	275	108	42	M30	164350	133950						UC320 UC320-64								P320	35
UCP321	105	140	490	380	120	36	50	56	283	112	44	M33				174800	145350			UC321						P321	35		
UCP322	110	150	520	400	140	40	55	61	303	117	46	M33			194750	171000	UC322	P322		45									
UCP324	120	160	570	450	140	40	55	71	323	126	51	M33			196650	175750	UC324				P324	55							
UCP326	130	180	600	480	140	40	55	81	363	135	54	M33			217550	203300	UC326		P326				72						
UCP328	140	200	620	500	140	40	55	81	403	145	59	M33	240350	233700	UC328	P328	89												