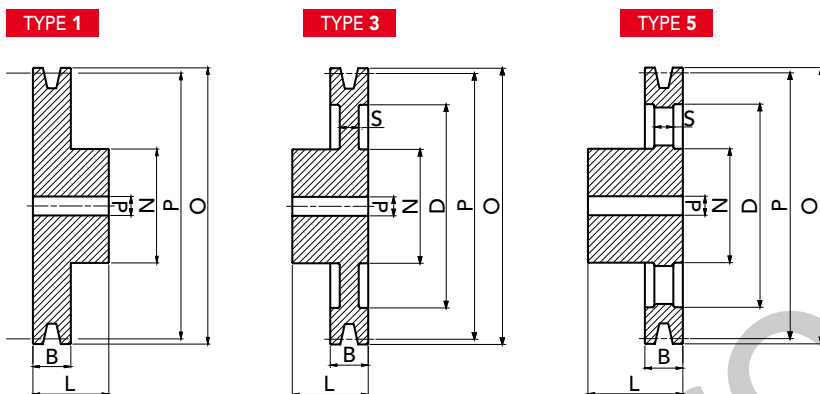




SOLID HUB

SPA/1 TYPE



V-PULLEYS PILOT BORE

| PRODUCT CODE | PRODUCT MODEL | P | O | GROOVES | N | L | D | S | B | TYPE | d (H9) | WEIGHT (Kg) |
|--------------|---------------|-----|-------|---------|-----|----|-----|----|----|------|--------|-------------|
| 91220401 | SPA40-1 | 40 | 45,5 | 1 | 40 | 35 | - | - | 20 | 1 | 10 | 0,26 |
| 91220501 | SPA50-1 | 50 | 55,5 | 1 | 40 | 35 | - | - | 20 | 1 | 10 | 0,35 |
| 91220551 | SPA55-1 | 55 | 60,5 | 1 | 40 | 35 | - | - | 20 | 1 | 10 | 0,41 |
| 91220601 | SPA60-1 | 60 | 65,5 | 1 | 40 | 35 | - | - | 20 | 1 | 10 | 0,46 |
| 91220631 | SPA63-1 | 63 | 68,5 | 1 | 40 | 35 | - | - | 20 | 1 | 10 | 0,49 |
| 91220651 | SPA65-1 | 65 | 70,5 | 1 | 40 | 40 | - | - | 20 | 1 | 10 | 0,55 |
| 91220701 | SPA70-1 | 70 | 75,5 | 1 | 40 | 40 | - | - | 20 | 1 | 10 | 0,68 |
| 91220751 | SPA75-1 | 75 | 80,5 | 1 | 40 | 40 | - | - | 20 | 1 | 10 | 0,7 |
| 91220801 | SPA80-1 | 80 | 85,5 | 1 | 45 | 40 | - | - | 20 | 1 | 10 | 0,84 |
| 91220851 | SPA85-1 | 85 | 90,5 | 1 | 45 | 40 | - | - | 20 | 1 | 10 | 0,92 |
| 91220901 | SPA90-1 | 90 | 95,5 | 1 | 45 | 40 | - | - | 20 | 1 | 10 | 1,02 |
| 91220951 | SPA95-1 | 95 | 100,5 | 1 | 45 | 40 | - | - | 20 | 1 | 10 | 1,11 |
| 91221001 | SPA100-1 | 100 | 105,5 | 1 | 48 | 40 | - | - | 20 | 1 | 10 | 1,25 |
| 91221051 | SPA105-1 | 105 | 110,5 | 1 | 48 | 40 | - | - | 20 | 1 | 10 | 1,37 |
| 91221121 | SPA112-1 | 112 | 117,5 | 1 | 48 | 40 | - | - | 20 | 1 | 10 | 1,55 |
| 91221201 | SPA120-1 | 120 | 125,5 | 1 | 60 | 40 | - | - | 20 | 1 | 15 | 1,86 |
| 91221251 | SPA125-1 | 125 | 130,5 | 1 | 60 | 40 | - | - | 20 | 1 | 15 | 2,06 |
| 91221301 | SPA130-1 | 130 | 135,5 | 1 | 60 | 40 | - | - | 20 | 1 | 15 | 2,12 |
| 91221401 | SPA140-1 | 140 | 145,5 | 1 | 60 | 40 | 107 | 10 | 20 | 3 | 15 | 1,98 |
| 91221501 | SPA150-1 | 150 | 155,5 | 1 | 60 | 40 | 117 | 10 | 20 | 3 | 15 | 2,18 |
| 91221601 | SPA160-1 | 160 | 165,5 | 1 | 60 | 40 | 127 | 10 | 20 | 3 | 15 | 2,36 |
| 91221701 | SPA170-1 | 170 | 175,5 | 1 | 60 | 40 | 137 | 10 | 20 | 3 | 15 | 2,57 |
| 91221801 | SPA180-1 | 180 | 185,5 | 1 | 65 | 40 | 147 | 10 | 20 | 3 | 20 | 2,85 |
| 91222001 | SPA200-1 | 200 | 205,5 | 1 | 65 | 45 | 167 | 10 | 20 | 3 | 20 | 3,45 |
| 91222251 | SPA225-1 | 225 | 230,5 | 1 | 65 | 45 | 193 | 10 | 20 | 3 | 20 | 4,07 |
| 91222501 | SPA250-1 | 250 | 255,5 | 1 | 75 | 50 | 217 | 12 | 20 | 3 | 20 | 5,69 |
| 91222801 | SPA280-1 | 280 | 285,5 | 1 | 75 | 50 | 247 | 14 | 20 | 5 | 20 | 4,46 |
| 91223001 | SPA300-1 | 300 | 305,5 | 1 | 75 | 50 | 267 | 14 | 20 | 5 | 20 | 4,99 |
| 91223551 | SPA355-1 | 355 | 360,5 | 1 | 75 | 50 | 322 | 14 | 20 | 5 | 20 | 6,5 |
| 91224001 | SPA400-1 | 400 | 405,5 | 1 | 90 | 50 | 367 | 14 | 20 | 5 | 20 | 8,5 |
| 91224501 | SPA450-1 | 450 | 455,5 | 1 | 90 | 50 | 417 | 14 | 20 | 5 | 20 | 9,4 |
| 91225001 | SPA500-1 | 500 | 505,5 | 1 | 90 | 50 | 467 | 14 | 20 | 5 | 20 | 10,5 |
| 91225601 | SPA560-1 | 560 | 565,5 | 1 | 100 | 50 | 527 | 15 | 20 | 5 | 25 | 12,7 |
| 91226001 | SPA600-1 | 600 | 605,5 | 1 | 100 | 50 | 567 | 16 | 20 | 5 | 25 | 14,35 |

MATERIAL **CAST-IRON**

CAD drawings available on our site

Quantity, availability and prices

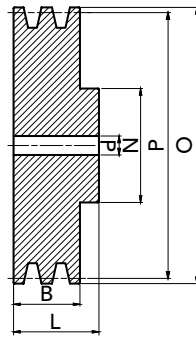




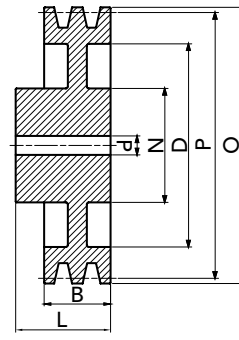
SOLID HUB

SPA/2 TYPE

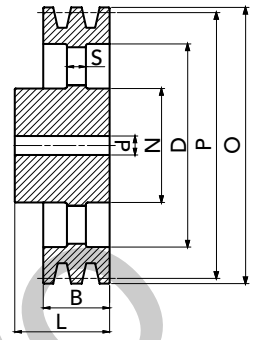
TYPE 1



TYPE 3



TYPE 5



| PRODUCT CODE | PRODUCT MODEL | P | O | GROOVES | N | L | D | S | B | TYPE | d (H9) | WEIGHT (Kg) |
|--------------|---------------|-----|-------|---------|-----|----|-----|----|----|------|--------|-------------|
| 91220502 | SPA50-2 | 50 | 55,5 | 2 | 40 | 45 | - | - | 35 | 1 | 10 | 0,44 |
| 91220552 | SPA55-2 | 55 | 60,5 | 2 | 40 | 45 | - | - | 35 | 1 | 10 | 0,55 |
| 91220602 | SPA60-2 | 60 | 65,5 | 2 | 40 | 45 | - | - | 35 | 1 | 10 | 0,60 |
| 91220632 | SPA63-2 | 63 | 68,5 | 2 | 40 | 45 | - | - | 35 | 1 | 10 | 0,68 |
| 91220652 | SPA65-2 | 65 | 70,5 | 2 | 40 | 45 | - | - | 35 | 1 | 10 | 0,74 |
| 91220702 | SPA70-2 | 70 | 75,5 | 2 | 50 | 45 | - | - | 35 | 1 | 10 | 0,91 |
| 91220752 | SPA75-2 | 75 | 80,5 | 2 | 50 | 45 | - | - | 35 | 1 | 10 | 1,05 |
| 91220802 | SPA80-2 | 80 | 85,5 | 2 | 50 | 45 | - | - | 35 | 1 | 10 | 1,17 |
| 91220852 | SPA85-2 | 85 | 90,5 | 2 | 50 | 45 | - | - | 35 | 1 | 10 | 1,32 |
| 91220902 | SPA90-2 | 90 | 95,5 | 2 | 60 | 45 | - | - | 35 | 1 | 15 | 1,50 |
| 91220952 | SPA95-2 | 95 | 100,5 | 2 | 60 | 45 | - | - | 35 | 1 | 15 | 1,67 |
| 91221002 | SPA100-2 | 100 | 105,5 | 2 | 60 | 45 | - | - | 35 | 1 | 15 | 1,84 |
| 91221052 | SPA105-2 | 105 | 110,5 | 2 | 60 | 45 | - | - | 35 | 1 | 15 | 2,07 |
| 91221122 | SPA112-2 | 112 | 117,5 | 2 | 60 | 45 | - | - | 35 | 1 | 15 | 2,30 |
| 91221202 | SPA120-2 | 120 | 125,5 | 2 | 60 | 45 | - | - | 35 | 1 | 15 | 2,68 |
| 91221252 | SPA125-2 | 125 | 130,5 | 2 | 60 | 45 | - | - | 35 | 1 | 15 | 2,94 |
| 91221302 | SPA130-2 | 130 | 135,5 | 2 | 60 | 45 | - | - | 35 | 1 | 15 | 3,25 |
| 91221402 | SPA140-2 | 140 | 145,5 | 2 | 60 | 45 | 107 | 10 | 35 | 3 | 15 | 2,57 |
| 91221502 | SPA150-2 | 150 | 155,5 | 2 | 60 | 45 | 117 | 10 | 35 | 3 | 15 | 2,80 |
| 91221602 | SPA160-2 | 160 | 165,5 | 2 | 60 | 45 | 127 | 10 | 35 | 3 | 15 | 3,02 |
| 91221702 | SPA170-2 | 170 | 175,5 | 2 | 60 | 45 | 137 | 10 | 35 | 3 | 20 | 3,30 |
| 91221802 | SPA180-2 | 180 | 185,5 | 2 | 70 | 50 | 147 | 12 | 35 | 3 | 20 | 4,07 |
| 91221902 | SPA190-2 | 190 | 195,5 | 2 | 70 | 50 | 157 | 12 | 35 | 3 | 20 | 4,40 |
| 91222002 | SPA200-2 | 200 | 205,5 | 2 | 70 | 50 | 167 | 12 | 35 | 3 | 20 | 4,74 |
| 91222252 | SPA225-2 | 225 | 230,5 | 2 | 70 | 50 | 193 | 12 | 35 | 3 | 20 | 5,54 |
| 91222502 | SPA250-2 | 250 | 255,5 | 2 | 75 | 50 | 217 | 12 | 35 | 3 | 20 | 6,60 |
| 91222802 | SPA280-2 | 280 | 285,5 | 2 | 80 | 50 | 247 | 14 | 35 | 5 | 20 | 5,92 |
| 91223002 | SPA300-2 | 300 | 305,5 | 2 | 80 | 50 | 267 | 14 | 35 | 5 | 20 | 6,48 |
| 91223152 | SPA315-2 | 315 | 320,5 | 2 | 80 | 50 | 282 | 14 | 35 | 5 | 20 | 6,94 |
| 91223552 | SPA355-2 | 355 | 360,5 | 2 | 80 | 50 | 322 | 14 | 35 | 5 | 20 | 8,30 |
| 91224002 | SPA400-2 | 400 | 405,5 | 2 | 90 | 50 | 367 | 14 | 35 | 5 | 20 | 10,5 |
| 91224502 | SPA450-2 | 450 | 455,5 | 2 | 100 | 50 | 417 | 14 | 35 | 5 | 25 | 12 |
| 91225002 | SPA500-2 | 500 | 505,5 | 2 | 100 | 50 | 467 | 16 | 35 | 5 | 25 | 14 |
| 91225602 | SPA560-2 | 560 | 565,5 | 2 | 100 | 50 | 527 | 18 | 35 | 5 | 25 | 16 |
| 91226302 | SPA630-2 | 630 | 635,5 | 2 | 110 | 50 | 597 | 18 | 35 | 5 | 25 | 21 |

MATERIAL **CAST-IRON**

CAD drawings available on our site

Quantity, availability and prices

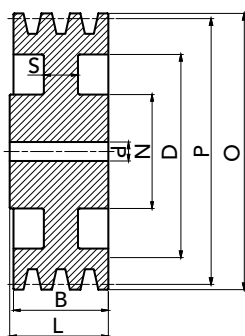




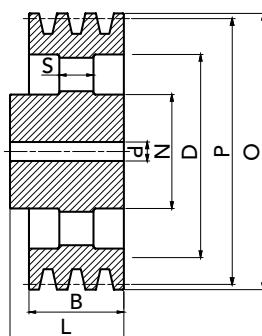
SOLID HUB

SPA/3 TYPE

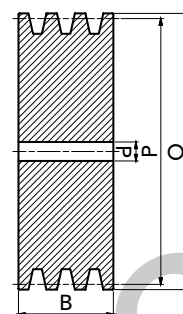
TYPE 3



TYPE 5



TYPE 7



V-PULLEYS PILOT BORE

| PRODUCT CODE | PRODUCT MODEL | P | O | GROOVES | N | L | D | S | B | TYPE | d (H9) | WEIGHT (Kg) |
|--------------|---------------|-----|-------|---------|-----|----|-----|----|----|------|--------|-------------|
| 91220603 | SPA60-3 | 60 | 65,5 | 3 | - | - | - | - | 50 | 7 | 10 | 0,75 |
| 91220633 | SPA63-3 | 63 | 68,5 | 3 | - | - | - | - | 50 | 7 | 10 | 0,84 |
| 91220653 | SPA65-3 | 65 | 70,5 | 3 | - | - | - | - | 50 | 7 | 10 | 0,91 |
| 91220703 | SPA70-3 | 70 | 75,5 | 3 | - | - | - | - | 50 | 7 | 10 | 1,08 |
| 91220753 | SPA75-3 | 75 | 80,5 | 3 | - | - | - | - | 50 | 7 | 10 | 1,24 |
| 91220803 | SPA80-3 | 80 | 85,5 | 3 | - | - | - | - | 50 | 7 | 15 | 1,41 |
| 91220853 | SPA85-3 | 85 | 90,5 | 3 | - | - | - | - | 50 | 7 | 15 | 1,62 |
| 91220903 | SPA90-3 | 90 | 95,5 | 3 | - | - | - | - | 50 | 7 | 15 | 1,84 |
| 91220953 | SPA95-3 | 95 | 100,5 | 3 | - | - | - | - | 50 | 7 | 15 | 2,07 |
| 91221003 | SPA100-3 | 100 | 105,5 | 3 | - | - | - | - | 50 | 7 | 15 | 2,32 |
| 91221053 | SPA105-3 | 105 | 110,5 | 3 | - | - | - | - | 50 | 7 | 15 | 4,33 |
| 91221123 | SPA112-3 | 112 | 117,5 | 3 | - | - | - | - | 50 | 7 | 15 | 3,02 |
| 91221203 | SPA120-3 | 120 | 125,5 | 3 | - | - | - | - | 50 | 7 | 15 | 3,50 |
| 91221253 | SPA125-3 | 125 | 130,5 | 3 | - | - | - | - | 50 | 7 | 15 | 3,88 |
| 91221303 | SPA130-3 | 130 | 135,5 | 3 | - | - | - | - | 50 | 7 | 15 | 4,33 |
| 91221403 | SPA140-3 | 140 | 145,5 | 3 | 65 | 52 | 107 | 18 | 50 | 3 | 20 | 3,60 |
| 91221503 | SPA150-3 | 150 | 155,5 | 3 | 65 | 52 | 117 | 18 | 50 | 3 | 20 | 3,95 |
| 91221603 | SPA160-3 | 160 | 165,5 | 3 | 70 | 52 | 127 | 18 | 50 | 3 | 20 | 4,45 |
| 91221703 | SPA170-3 | 170 | 175,5 | 3 | 70 | 52 | 137 | 18 | 50 | 3 | 20 | 4,94 |
| 91221803 | SPA180-3 | 180 | 185,5 | 3 | 70 | 52 | 147 | 12 | 50 | 3 | 20 | 4,72 |
| 91222003 | SPA200-3 | 200 | 205,5 | 3 | 70 | 52 | 167 | 12 | 50 | 3 | 20 | 5,42 |
| 91222253 | SPA225-3 | 225 | 230,5 | 3 | 80 | 52 | 193 | 12 | 50 | 3 | 20 | 6,72 |
| 91222503 | SPA250-3 | 250 | 255,5 | 3 | 80 | 60 | 217 | 12 | 50 | 3 | 20 | 8,11 |
| 91222803 | SPA280-3 | 280 | 285,5 | 3 | 80 | 60 | 247 | 14 | 50 | 5 | 20 | 7,30 |
| 91223003 | SPA300-3 | 300 | 305,5 | 3 | 80 | 60 | 267 | 14 | 50 | 5 | 20 | 7,96 |
| 91223553 | SPA355-3 | 355 | 360,5 | 3 | 90 | 60 | 322 | 14 | 50 | 5 | 20 | 11 |
| 91224003 | SPA400-3 | 400 | 405,5 | 3 | 100 | 60 | 367 | 16 | 50 | 5 | 25 | 13 |
| 91224503 | SPA450-3 | 450 | 455,5 | 3 | 100 | 60 | 417 | 16 | 50 | 5 | 25 | 15 |
| 91225003 | SPA500-3 | 500 | 505,5 | 3 | 105 | 60 | 467 | 20 | 50 | 5 | 25 | 18,6 |
| 91225603 | SPA560-3 | 560 | 565,5 | 3 | 120 | 65 | 527 | 20 | 50 | 5 | 25 | 23 |
| 91226303 | SPA630-3 | 630 | 635,5 | 3 | 120 | 65 | 597 | 20 | 50 | 5 | 25 | 26,7 |

MATERIAL CAST-IRON

CAD drawings available on our site

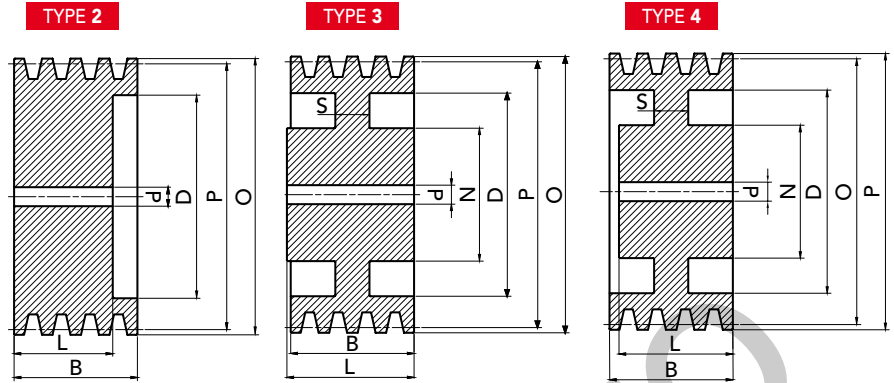
Quantity, availability and prices





SOLID HUB

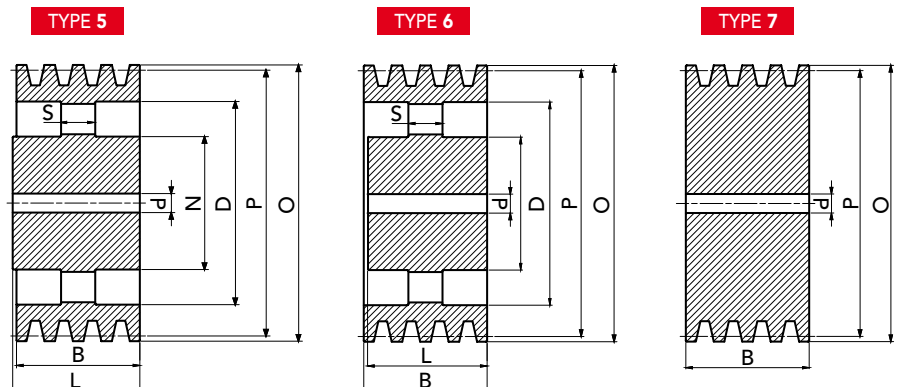
SPA/4 TYPE



| PRODUCT CODE | PRODUCT MODEL | P | O | GROOVES | N | L | D | S | B | TYPE | d (H9) | WEIGHT (Kg) |
|--------------|---------------|-----|-------|---------|-----|----|-----|----|----|------|--------|-------------|
| 91220704 | SPA70-4 | 70 | 75,5 | 4 | - | - | - | - | 65 | 7 | 10 | 1,42 |
| 91220754 | SPA75-4 | 75 | 80,5 | 4 | - | - | - | - | 65 | 7 | 10 | 1,58 |
| 91220804 | SPA80-4 | 80 | 85,5 | 4 | - | - | - | - | 65 | 7 | 15 | 1,81 |
| 91220854 | SPA85-4 | 85 | 90,5 | 4 | - | - | - | - | 65 | 7 | 15 | 2,08 |
| 91220904 | SPA90-4 | 90 | 95,5 | 4 | - | - | - | - | 65 | 7 | 15 | 2,38 |
| 91220954 | SPA95-4 | 95 | 100,5 | 4 | - | - | - | - | 65 | 7 | 15 | 2,67 |
| 91221004 | SPA100-4 | 100 | 105,5 | 4 | - | 52 | 67 | - | 65 | 2 | 15 | 2,67 |
| 91221054 | SPA105-4 | 105 | 110,5 | 4 | - | 52 | 72 | - | 65 | 2 | 15 | 3,13 |
| 91221124 | SPA112-4 | 112 | 117,5 | 4 | - | 52 | 79 | - | 65 | 2 | 15 | 3,60 |
| 91221204 | SPA120-4 | 120 | 125,5 | 4 | - | 52 | 87 | - | 65 | 2 | 15 | 3,76 |
| 91221254 | SPA125-4 | 125 | 130,5 | 4 | - | 52 | 97 | - | 65 | 2 | 15 | 4,29 |
| 91221304 | SPA130-4 | 130 | 135,5 | 4 | - | 52 | 97 | - | 65 | 2 | 15 | 4,95 |
| 91221404 | SPA140-4 | 140 | 145,5 | 4 | - | 52 | 107 | - | 65 | 2 | 20 | 5,50 |
| 91221504 | SPA150-4 | 150 | 155,5 | 4 | - | 52 | 117 | - | 65 | 2 | 20 | 6,29 |
| 91221604 | SPA160-4 | 160 | 165,5 | 4 | 70 | 52 | 127 | 18 | 65 | 4 | 20 | 5,33 |
| 91221704 | SPA170-4 | 170 | 175,5 | 4 | 80 | 52 | 137 | 18 | 65 | 4 | 20 | 5,79 |
| 91221804 | SPA180-4 | 180 | 185,5 | 4 | 80 | 60 | 147 | 18 | 65 | 4 | 20 | 6,93 |
| 91222004 | SPA200-4 | 200 | 205,5 | 4 | 80 | 60 | 167 | 18 | 65 | 4 | 20 | 7,55 |
| 91222254 | SPA225-4 | 225 | 230,5 | 4 | 90 | 60 | 192 | 18 | 65 | 4 | 20 | 9,10 |
| 91222504 | SPA250-4 | 250 | 255,5 | 4 | 90 | 65 | 217 | 18 | 65 | 3 | 20 | 11,08 |
| 91222804 | SPA280-4 | 280 | 285,5 | 3 | 90 | 65 | 247 | 16 | 65 | 5 | 20 | 9,55 |
| 91223004 | SPA300-4 | 300 | 305,5 | 4 | 90 | 65 | 267 | 16 | 65 | 5 | 20 | 10,22 |
| 91223554 | SPA355-4 | 355 | 360,5 | 4 | 90 | 65 | 322 | 16 | 65 | 5 | 25 | 12,67 |
| 91224004 | SPA400-4 | 400 | 405,5 | 4 | 100 | 65 | 367 | 20 | 65 | 5 | 25 | 16,4 |
| 91224504 | SPA450-4 | 450 | 455,5 | 4 | 105 | 65 | 417 | 20 | 65 | 6 | 25 | 17 |
| 91225004 | SPA500-4 | 500 | 505,5 | 4 | 105 | 65 | 467 | 20 | 65 | 6 | 25 | 18 |
| 91225604 | SPA560-4 | 560 | 565,5 | 4 | 120 | 65 | 527 | 22 | 65 | 5 | 25 | 26,5 |
| 91226304 | SPA630-4 | 630 | 635,5 | 4 | 120 | 65 | 597 | 22 | 65 | 5 | 25 | 35 |

MATERIAL CAST-IRON

CAD drawings available on our site



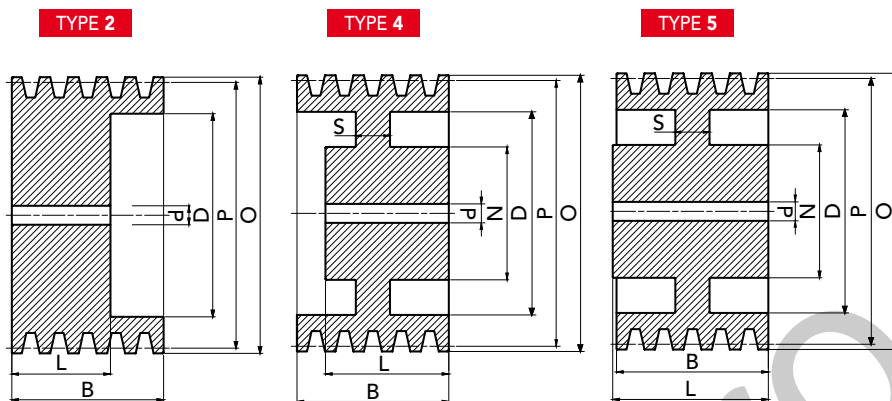
Quantity, availability and prices





SOLID HUB

SPA/5 TYPE



V-PULLEYS PILOT BORE

| PRODUCT CODE | PRODUCT MODEL | P | O | GROOVES | N | L | D | S | B | TYPE | d (H9) | WEIGHT (Kg) |
|--------------|---------------|-----|-------|---------|-----|----|-----|----|----|------|--------|-------------|
| 91220705 | SPA70-5 | 70 | 75,5 | 5 | - | - | - | - | 80 | 7 | 10 | 1,70 |
| 91220755 | SPA75-5 | 75 | 80,5 | 5 | - | - | - | - | 80 | 7 | 10 | 2,20 |
| 91220805 | SPA80-5 | 80 | 85,5 | 5 | - | - | - | - | 80 | 7 | 15 | 2,23 |
| 91220855 | SPA85-5 | 85 | 90,5 | 5 | - | - | - | - | 80 | 7 | 15 | 2,55 |
| 91220905 | SPA90-5 | 90 | 95,5 | 5 | - | - | - | - | 80 | 7 | 15 | 2,91 |
| 91220955 | SPA95-5 | 95 | 100,5 | 5 | - | - | - | - | 80 | 7 | 15 | 2,94 |
| 91221005 | SPA100-5 | 100 | 105,5 | 5 | - | 52 | 67 | - | 80 | 2 | 15 | 2,97 |
| 91221055 | SPA105-5 | 105 | 110,5 | 5 | - | 52 | 72 | - | 80 | 2 | 15 | 3,30 |
| 91221125 | SPA112-5 | 112 | 117,5 | 5 | - | 52 | 79 | - | 80 | 2 | 15 | 3,77 |
| 91221205 | SPA120-5 | 120 | 125,5 | 5 | - | 52 | 87 | - | 80 | 2 | 15 | 4,30 |
| 91221305 | SPA130-5 | 130 | 135,5 | 5 | - | 52 | 97 | - | 80 | 2 | 15 | 5,45 |
| 91221405 | SPA140-5 | 140 | 145,5 | 5 | - | 52 | 107 | - | 80 | 2 | 20 | 6,30 |
| 91221505 | SPA150-5 | 150 | 155,5 | 5 | - | 52 | 117 | - | 80 | 2 | 20 | 6,84 |
| 91221605 | SPA160-5 | 160 | 165,5 | 5 | 80 | 52 | 127 | 22 | 80 | 4 | 20 | 6,12 |
| 91221705 | SPA170-5 | 170 | 175,5 | 5 | 80 | 52 | 137 | 18 | 80 | 4 | 20 | 6,80 |
| 91221805 | SPA180-5 | 180 | 185,5 | 5 | 80 | 65 | 147 | 22 | 80 | 4 | 20 | 7,7 |
| 91222005 | SPA200-5 | 200 | 205,5 | 5 | 80 | 65 | 167 | 20 | 80 | 4 | 20 | 8,72 |
| 91222255 | SPA225-5 | 225 | 230,5 | 5 | 90 | 65 | 192 | 20 | 80 | 4 | 20 | 10,50 |
| 91222505 | SPA250-5 | 250 | 255,5 | 5 | 90 | 65 | 217 | 20 | 80 | 4 | 20 | 11,5 |
| 91222805 | SPA280-5 | 280 | 285,5 | 5 | 100 | 65 | 247 | 18 | 80 | 6 | 25 | 12 |
| 91223005 | SPA300-5 | 300 | 305,5 | 5 | 100 | 65 | 267 | 18 | 80 | 6 | 25 | 12,24 |
| 91223555 | SPA355-5 | 355 | 360,5 | 5 | 100 | 65 | 322 | 18 | 80 | 6 | 25 | 15,2 |
| 91224005 | SPA400-5 | 400 | 405,5 | 5 | 100 | 65 | 367 | 22 | 80 | 6 | 25 | 18 |
| 91224505 | SPA450-5 | 450 | 455,5 | 5 | 105 | 65 | 417 | 22 | 80 | 6 | 25 | 21,4 |
| 91225005 | SPA500-5 | 500 | 505,5 | 5 | 110 | 65 | 467 | 22 | 80 | 6 | 25 | 24,6 |
| 91225605 | SPA560-5 | 560 | 565,5 | 5 | 120 | 80 | 527 | 24 | 80 | 5 | 25 | 28 |
| 91226005 | SPA600-5 | 600 | 605,5 | 5 | 120 | 80 | 567 | 26 | 80 | 5 | 25 | 32 |
| 91226305 | SPA630-5 | 630 | 635,5 | 5 | 120 | 80 | 597 | 24 | 80 | 5 | 25 | 35 |

MATERIAL CAST-IRON

CAD drawings available on our site

Quantity, availability and prices

