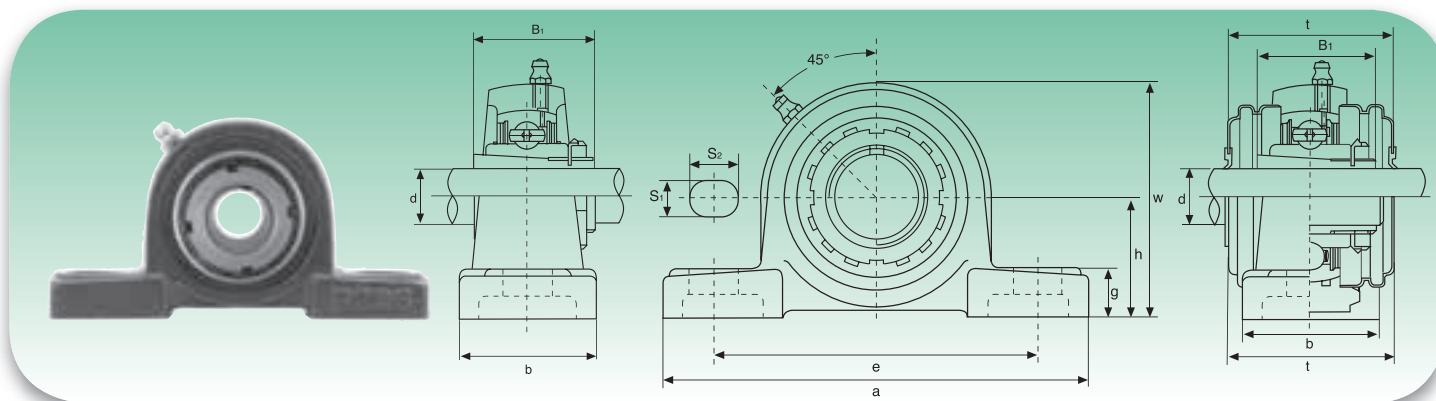




**SUPPORTI RITTI CON BUSSOLA - BEARING UNITS WITH ADAPTER SLEEVE**

**UKP3 Serie pesante - Heavy duty**



Tipo Type	Dimensioni - Dimensions										Bull. fiss. Bolt Size	Coefficienti di carico (N) Load ratings (N)		Cuscinetto Bearing	Supporto Housing	Peso Weight	
	d	h	a	e	b	S <sub>1</sub>	S <sub>2</sub>	g	w	B <sub>1</sub>		Dinamico C Dynamic C	Statico C <sub>0</sub> Static C <sub>0</sub>				kg
	mm/inch											mm/inch					
<b>UKP305+H2305</b> UCP305+HE2305	20 ¾	45 149/64	175 67/8	132 53/16	45 1¾	17 43/64	20 19/32	15 25/32	85 311/32	35 1,378	M14 ½	20140	10355	<b>UK305+H2305</b> UK305+HE2305	<b>P305</b>	1,7	
<b>UKP306+H2306</b> UKP306+HS2306 UKP306+HE2306	25 7/8 1	50 131/32	180 73/32	140 5½	50 131/32	17 43/64	20 25/32	18 23/32	95 3¾	38 1,496	M14 ½	25365	14250	<b>UK306+H2306</b> UK306+HS2306 UK306+HE2306	<b>P306</b>	2,3	
<b>UKP307+H2307</b> UKP307+HS2307	30 11/8	56 213/64	210 89/32	160 65/16	56 27/32	17 43/64	25 63/64	20 25/32	106 43/16	43 1,693	M14 ½	31730	18335	<b>UK307+H2307</b> UK307+HS2307	<b>P307</b>	3,0	
<b>UKP308+H2308</b> UKP308+HE2308 UKP308+HS2308	35 1¼ 13/8	60 223/64	220 821/32	170 611/16	60 23/8	17 43/64	27 11/16	22 7/8	116 49/16	46 1,811	M16 5/8	38665	22800	<b>UK308+H2308</b> UK308+HE2308 UK308+HS2308	<b>P308</b>	3,8	
<b>UKP309+H2309</b> UKP309+HA2309 UKP309+HE2309 UKP309+HS2309	40 17/16 1½ 15/8	67 141/64	245 921/32	190 715/32	67 25/8	20 25/32	30 13/16	24 15/16	129 53/32	50 1,969	M16 5/8	46455	28025	<b>UK309+H2309</b> UK309+HA2309 UK309+HE2309 UK309+HS2309	<b>P309</b>	5,0	
<b>UKP310+H2310</b> UKP310+HS2310 UKP310+HA2310 UKP310+HE2310	45 15/8 111/16 1¾	75 261/64	275 1013/16	212 811/32	75 215/16	20 25/32	35 13/8	27 11/16	143 55/8	55 2,165	M16 5/8	58900	36385	<b>UK310+H2310</b> UK310+HS2310 UK310+HA2310 UK310+HE2310	<b>P310</b>	6,7	
<b>UKP311+H2311</b> UKP311+HS2311 UKP311+HA2311 UKP311+HE2311	50 17/8 115/16 2	80 35/32	310 127/32	236 99/32	80 35/32	20 25/32	38 1½	30 13/16	154 61/16	59 2,323	M16 5/8	68020	42750	<b>UK311+H2311</b> UK311+HS2311 UK311+HA2311 UK311+HE2311	<b>P311</b>	8,1	
<b>UKP312+H2312</b> UKP312+HS2312	55 21/8	85 311/32	330 12	250 927/32	85 311/32	25 63/64	38 1½	32 1¼	165 6½	62 2,441	M20 ¾	77805	49590	<b>UK312+H2312</b> UK312+HS2312	<b>P312</b>	9,4	
<b>UKP313+H2313</b> UKP313+HA2313 UKP313+HE2313 UKP313+HS2313	60 23/16 2¼ 23/8	90 335/64	340 133/8	260 10¼	90 317/32	25 63/64	38 1½	33 15/16	176 615/16	65 2,559	M20 ¾	88065	56905	<b>UK313+H2313</b> UK313+HA2313 UK313+HE2313 UK313+HS2313	<b>P313</b>	10,8	
<b>UKP315+H2315</b> UKP315+HA2315 UKP315+HE2315	65 27/16 2½	100 315/16	380 1431/32	290 1113/32	100 315/16	27 11/16	40 19/18	35 13/8	198 725/32	73 2,874	M22 7/8	107350	73340	<b>UK315+H2315</b> UK315+HA2315 UK315+HE2315	<b>P315</b>	14,9	
<b>UKP316+H2316</b> UKP316+HA2316 UKP316+HE2316	70 211/16 2¾	106 411/64	400 15¾	300 1113/16	110 411/32	27 11/16	40 19/16	40 19/16	210 89/32	78 3,071	M22 7/8	116850	82365	<b>UK316+H2316</b> UK316+HA2316 UK316+HE2316	<b>P316</b>	18,6	
<b>UKP317+H2317</b> UKP317+HA2317 UKP317+HS2317	75 215/16 3	112 411/64	420 1617/32	320 1219/32	110 411/32	33 15/16	45 125/32	40 19/16	220 821/32	82 3,228	M27 1	126350	91960	<b>UK317+H2317</b> UK317+HA2317 UK317+HS2317	<b>P317</b>	20,2	
<b>UKP318+H2318</b> UKP318+HA2318	80 33/16	118 441/64	430 1615/16	330 13	110 411/32	33 15/16	45 125/32	45 125/32	235 9¼	86 3,386	M27 1	135850	101650	<b>UK318+H2318</b> UK318+HA2318	<b>P318</b>	22,8	
<b>UKP319+H2319</b> UKP319+HA2319	85 35/16	125 459/64	470 18½	360 143/16	120 423/32	36 113/32	50 131/32	45 125/32	250 927/32	90 3,543	M30 11/8	145350	113050	<b>UK319+H2319</b> UK319+HA2319	<b>P319</b>	29,3	
<b>UKP320+H2320</b> UKP320+HA2320	90 37/16	140 533/64	490 199/32	380 1431/32	120 423/32	36 113/32	50 131/32	50 131/32	275 1053/64	97 3,814	M30 11/8	164350	133950	<b>UK320+H2320</b> UK320+HA2320	<b>P320</b>	34,8	
<b>UKP322+H2322</b> UKP322+HA2322	100 315/16	150 529/32	520 2015/32	400 15¾	140 5½	40 19/16	55 25/32	55 25/32	300 1113/16	105 4,134	M33 1¼	194750	171000	<b>UK322+H2322</b> UK322+HA2322	<b>P322</b>	43,9	
<b>UKP324+H2324</b> UKP324+HA2324	110 43/16	160 619/64	570 227/16	450 1723/32	140 5½	40 19/16	55 25/32	65 121/32	320 1219/32	112 4,410	M33 1¼	196650	175750	<b>UK324+H2324</b> UK324+HA2324	<b>P324</b>	55,7	
<b>UKP326+H2326</b> UKP326+HA2326	115 47/16	180 73/32	600 235/8	480 1829/32	140 5½	40 19/16	55 25/32	75 261/64	335 1331/32	121 4,764	M33 1¼	217550	203300	<b>UK326+H2326</b> UK326+HA2326	<b>P326</b>	71,9	
<b>UKP328+H2328</b> UKP328+HA2328	125 415/16	200 77/8	620 2413/32	500 1911/16	140 5½	40 19/16	55 25/32	75 261/64	390 1532/64	131 5,158	M33 1¼	240350	233700	<b>UK328+H2328</b> UK328+HA2328	<b>P328</b>	92,5	

Bussolle HA; HE; HS con filettatura in pollici  
Inch dimension adapter sleeves HA; HE; HS