

V-PULLEYS

OUR PRODUCT LINE	2
PRODUCT DESCRIPTION	3
V-PULLEYS: SPZ	4
V-PULLEYS: SPA	11
V-PULLEYS: SPB	17
V-PULLEYS: SPC	25
V-PULLEYS FOR BORING: SPA	31
V-PULLEYS FOR BORING: SPB	35
V-PULLEYS FOR BORING: SPC	41
V-PULLEYS FOR LOCKING DEVICE	46



OUR PRODUCT LINE



V-Belt Pulleys for BORING: NPT V-belt pulleys designed for boring offer high precision and flexibility for custom bore dimensions, allowing users to achieve the perfect fit for specific applications. Made from durable materials and built to exacting standards, these pulleys provide optimal performance in demanding environments, ensuring smooth power transmission and minimal wear.



V-Belt Pulleys for Taper Bushings: NPT V-belt pulleys compatible with taper bushings are engineered for easy installation and secure attachment. The tapered bushing system provides a reliable fit, minimizes downtime during maintenance, and supports high torque transmission, making these pulleys ideal for industrial applications where strength and durability are essential.



V-Belt Pulleys for LOCKING DEVICE: NPT V-belt pulleys designed for clamp bushings offer a quick and efficient mounting solution with high concentricity and minimal backlash. The clamp bushing mechanism ensures a secure grip on the shaft, providing stable power transmission even under heavy loads, which is ideal for applications requiring precision and resilience.



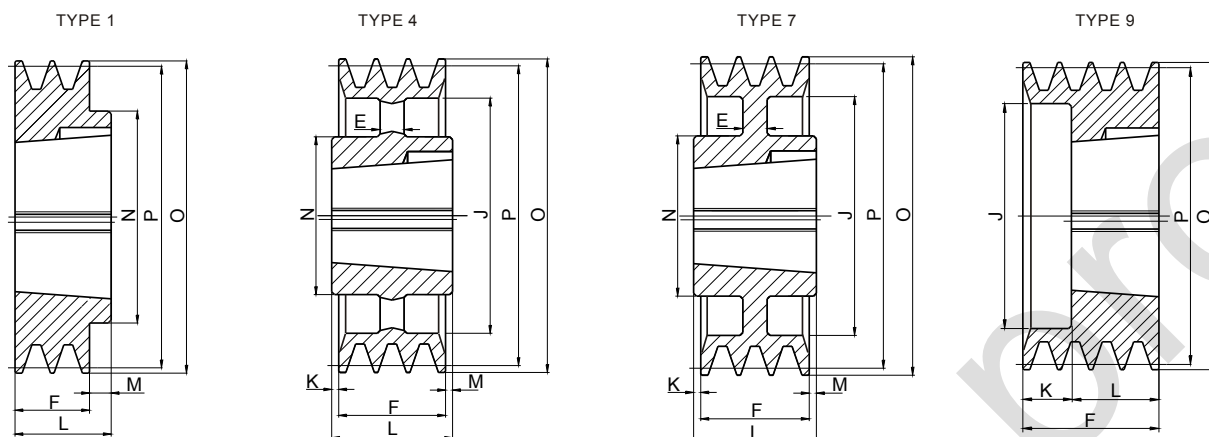
PRODUCT DESCRIPTION

This catalog is designed to provide detailed information about the various technical aspects and specifications of V-belt pulleys NPT, making it an indispensable resource for engineers, technicians, and industry professionals.

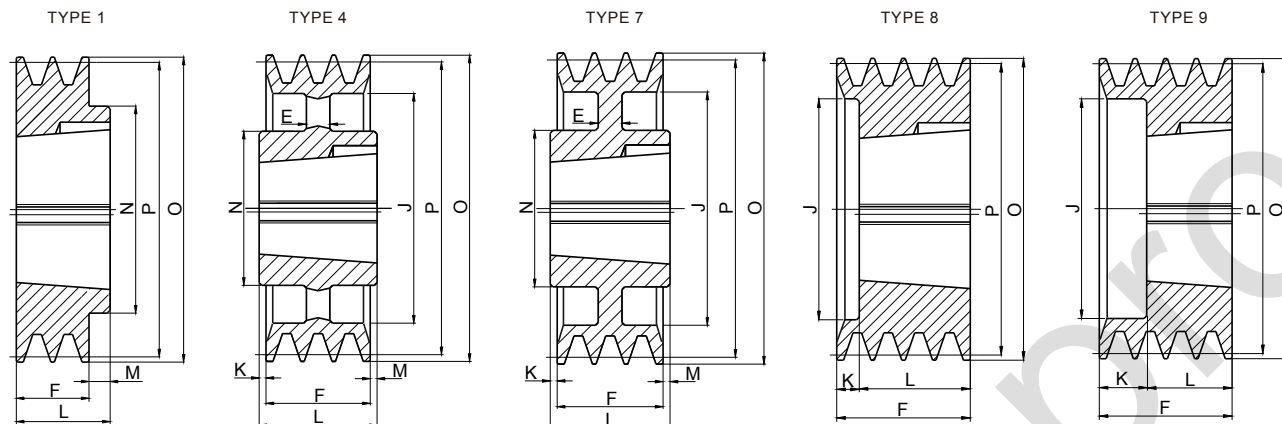
Technical Features of V-Belt Pulleys

- 1. Design and Material Composition:** V-belt pulleys are precision-engineered components designed to optimize the performance and efficiency of belt-driven systems. Typically constructed from high-quality materials such as cast iron, steel, or aluminum, these pulleys are designed to withstand heavy loads and high rotational speeds while minimizing wear and tear.
- 2. Groove Profiles:** One of the key technical features of V-belt pulleys is the groove profile. The grooves are specifically designed to match the corresponding V-belt dimensions, ensuring a secure fit and optimal power transmission. The angles and dimensions of the grooves are meticulously calculated to reduce belt slippage and improve the overall lifespan of the system.
- 3. Balancing and Alignment:** Precision balancing and alignment are crucial for the smooth operation of V-belt pulleys. Our pulleys undergo rigorous balancing processes to eliminate any imbalances that could lead to vibrations, noise, or premature wear. Proper alignment ensures that the belt runs true, reducing friction and extending the life of both the belt and the pulley.
- 4. Surface Finish:** The surface finish of the pulley plays a significant role in its performance. A smooth, well-machined surface minimizes friction between the belt and the pulley, enhancing power transmission efficiency and reducing heat buildup. Our pulleys feature a high-quality surface finish to ensure optimal interaction with the belt.
- 5. Mounting and Hub Design:** V-belt pulleys are available with various mounting configurations and hub designs to accommodate different shaft sizes and installation requirements. From taper bush hubs to clamp-style hubs, our catalog provides a range of options to suit diverse applications.
- 6. Corrosion Resistance:** To ensure longevity and reliability in various environmental conditions, our V-belt pulleys are available with corrosion-resistant coatings. These protective finishes guard against rust and corrosion, making the pulleys suitable for use in harsh or corrosive environments.
- 7. Dimensional Accuracy:** Dimensional accuracy is a critical factor in the performance of V-belt pulleys. Our pulleys are manufactured to strict tolerances, ensuring precise dimensions and consistent quality.

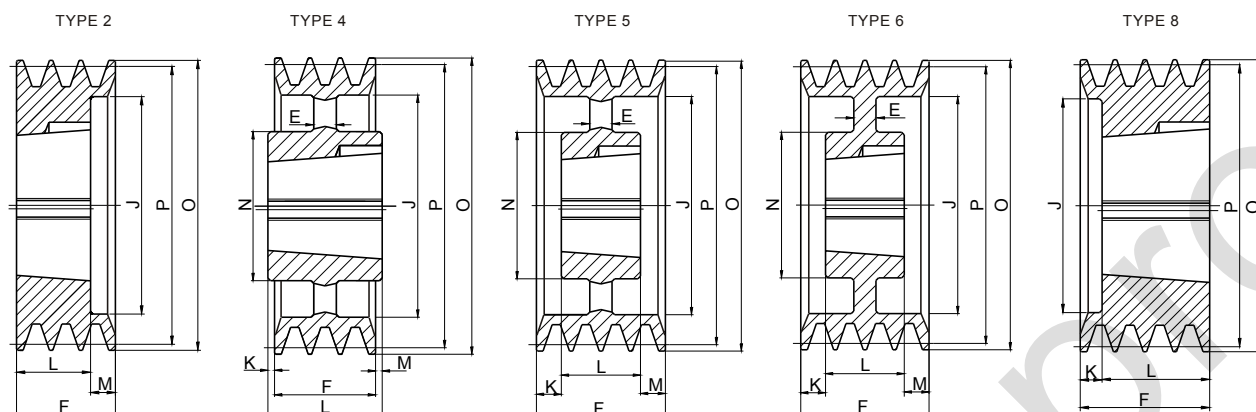
We trust that this catalog will serve as a valuable tool in selecting the right V-belt pulleys for your specific needs. Should you require any further technical assistance or customized solutions, our expert team is always available to support you.



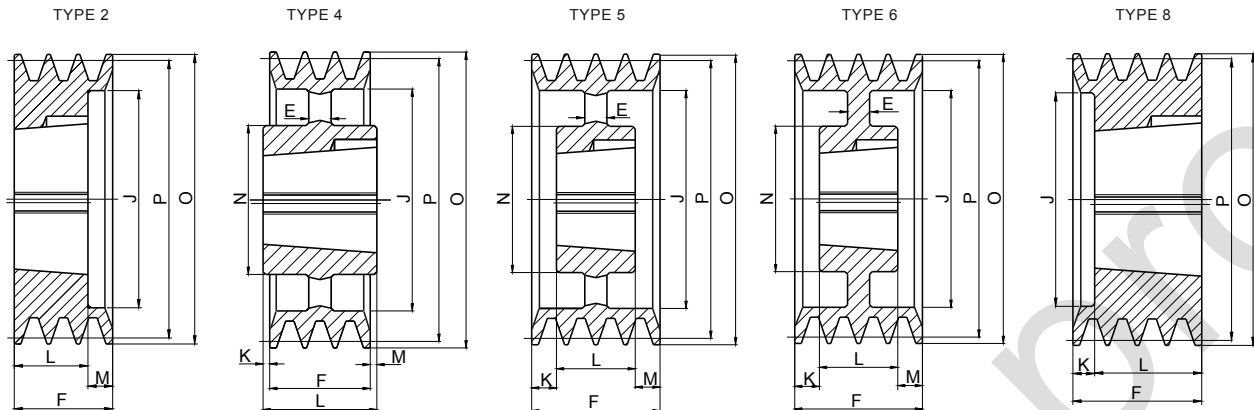
Type	Grooves	P	O	Type	Bush	Max Bore	E	F	J	K	L	M	N
SPZ 50-01	1	50	54	9	1008	25	-	37	28	15	22	-	-
SPZ 56-01	1	56	60	9	1008	25	-	37	23	15	22	-	-
SPZ 60-01	1	60	64	9	1008	25	-	22	-	-	22	-	-
SPZ 63-01	1	63	67	1	1108	28	-	16	-	-	22	6	62
SPZ 67-01	1	67	71	1	1108	28	-	16	-	-	22	6	62
SPZ 71-01	1	71	75	1	1108	28	-	16	-	-	22	6	62
SPZ 75-01	1	75	79	1	1108	28	-	16	-	-	22	6	62
SPZ 80-01	1	80	84	1	1210	32	-	16	-	-	25	9	75
SPZ 85-01	1	85	89	1	1210	32	-	16	-	-	25	9	75
SPZ 90-01	1	90	94	1	1210	32	-	16	-	-	25	9	75
SPZ 95-01	1	95	99	1	1210	32	-	16	-	-	25	9	75
SPZ 100-01	1	100	104	1	1210	32	-	16	-	-	25	9	75
SPZ 106-01	1	106	110	1	1610	42	-	16	-	-	25	9	80
SPZ 112-01	1	112	116	1	1610	42	-	16	-	-	25	9	80
SPZ 118-01	1	118	122	1	1610	42	-	16	-	-	25	9	80
SPZ 125-01	1	125	129	1	1610	42	-	16	-	-	25	9	80
SPZ 132-01	1	132	136	1	1610	42	-	16	-	-	25	9	80
SPZ 140-01	1	140	144	1	1610	42	-	16	-	-	25	9	80
SPZ 150-01	1	150	154	1	1610	42	-	16	-	-	25	9	80
SPZ 160-01	1	160	164	1	1610	42	-	16	-	-	25	9	80
SPZ 170-01	1	170	174	1	1610	42	-	16	-	-	25	9	80
SPZ 180-01	1	180	184	1	1610	42	-	16	-	-	25	9	80
SPZ 190-01	1	190	194	7	1610	42	-	16	161	-	25	9	80
SPZ 200-01	1	200	204	7	2012	50	-	16	172	-	32	16	100
SPZ 224-01	1	224	228	7	2012	50	15	16	196	-	32	16	100
SPZ 250-01	1	250	254	4	2012	50	-	16	222	8	32	8	100
SPZ 280-01	1	280	284	4	2012	50	-	16	252	8	32	8	100
SPZ 315-01	1	315	319	4	2012	50	-	16	287	8	32	8	100
SPZ 355-01	1	355	359	4	2012	50	-	16	326	8	32	8	112
SPZ 400-01	1	400	404	4	2012	50	-	16	371	8	32	8	112
SPZ 450-01	1	450	454	4	2517	60	-	16	421	14.5	45	14.5	120



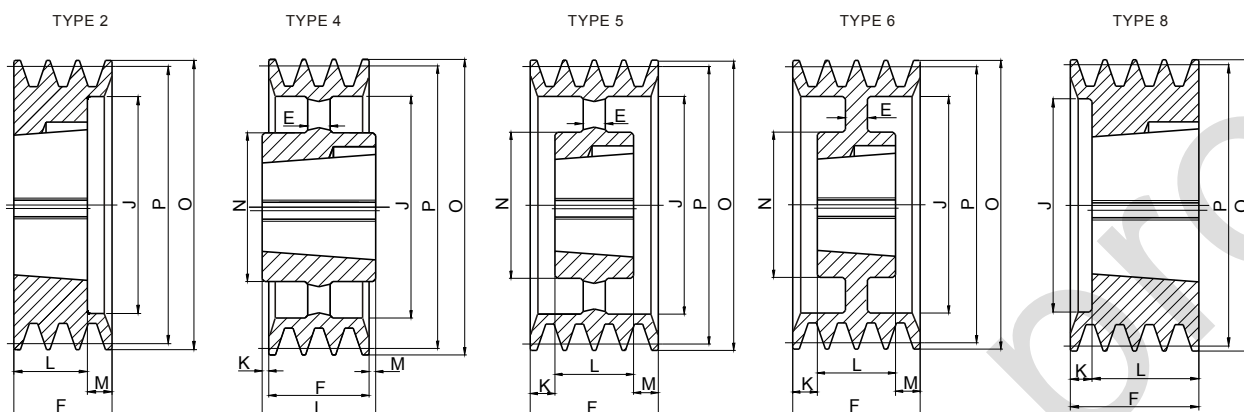
Type	Grooves	P	O	Type	Bush	Max Bore	E	F	J	K	L	M	N
SPZ 50-02	2	50	54	9	1008	25	-	49	28	27	22	-	-
SPZ 56-02	2	56	60	9	1108	28	-	49	35	27	22	-	-
SPZ 60-02	2	60	64	9	1108	28	-	49	36	27	22	-	-
SPZ 63-02	2	63	67	8	1108	28	-	28	40	6	22	-	-
SPZ 67-02	2	67	71	8	1108	28	-	28	42	6	22	-	-
SPZ 71-02	2	71	75	8	1108	28	-	28	42	6	22	-	-
SPZ 75-02	2	75	79	8	1210	32	-	28	51	3	25	-	-
SPZ 80-02	2	80	84	8	1210	32	-	28	51	3	25	-	-
SPZ 85-02	2	85	89	8	1610	42	-	28	60	3	25	-	-
SPZ 90-02	2	90	94	8	1610	42	-	28	61	3	25	-	-
SPZ 95-02	2	95	99	8	1610	42	-	28	66	3	25	-	-
SPZ 100-02	2	100	104	8	1610	42	-	28	71	3	25	-	-
SPZ 106-02	2	106	110	8	1610	42	-	28	76	3	25	-	-
SPZ 112-02	2	112	114	8	1610	42	-	28	84	3	25	-	-
SPZ 118-02	2	118	122	8	1610	42	-	28	90	3	25	-	-
SPZ 125-02	2	125	129	8	1610	42	-	28	97	3	25	-	-
SPZ 132-02	2	132	136	8	1610	42	-	28	104	3	25	-	-
SPZ 140-02	2	140	144	8	1610	42	-	28	112	3	25	-	-
SPZ 150-02	2	150	154	1	2012	50	-	28	-	-	32	4	100
SPZ 160-02	2	160	164	1	2012	50	-	28	-	-	32	4	100
SPZ 170-02	2	170	174	1	2012	50	-	28	-	-	32	4	100
SPZ 180-02	2	180	184	7	2012	50	10	28	152	-	32	4	100
SPZ 190-02	2	190	194	7	2012	50	10	28	161	-	32	4	100
SPZ 200-02	2	200	204	7	2012	50	10	28	171	-	32	4	100
SPZ 224-02	2	224	228	7	2012	50	10	28	196	-	32	4	100
SPZ 250-02	2	250	254	4	2012	50	-	28	222	2	32	2	100
SPZ 280-02	2	280	284	4	2012	50	-	28	252	2	32	2	100
SPZ 315-02	2	315	319	4	2012	50	-	28	286	2	32	2	100
SPZ 355-02	2	355	359	4	2012	50	-	28	326	2	32	2	112
SPZ 400-02	2	400	404	4	2517	60	-	28	371	8,5	45	8,5	120
SPZ 450-02	2	450	454	4	2517	60	-	28	421	8,5	45	8,5	120



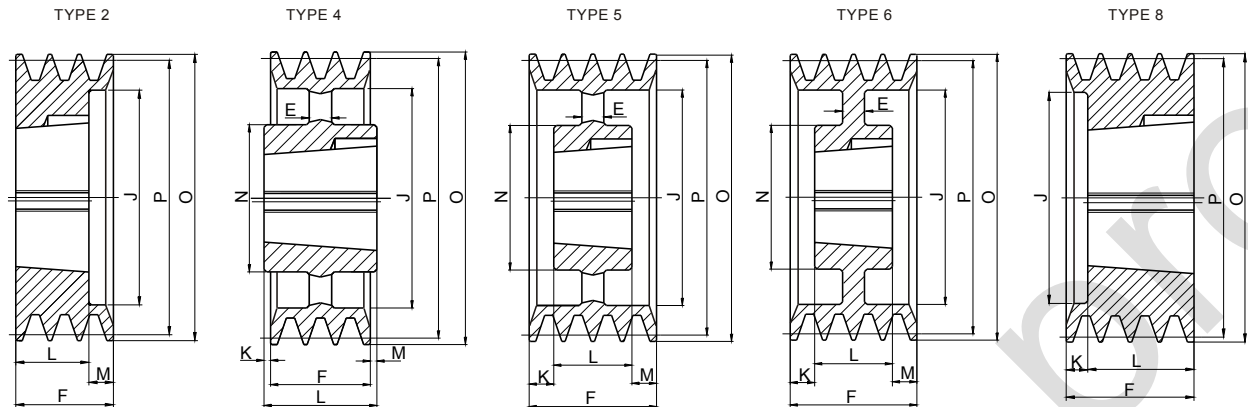
Type	Grooves	P	O	Type	Bush	Max Bore	E	F	J	K	L	M	N
SPZ 63-03	3	63	67	8	1108	28	-	40	40	18	22	-	-
SPZ 67-03	3	67	71	8	1108	28	-	40	42	18	22	-	-
SPZ 71-03	3	71	75	8	1108	28	-	40	42	18	22	-	-
SPZ 75-03	3	75	79	8	1210	32	-	40	48	15	25	-	-
SPZ 80-03	3	80	84	8	1210	32	-	40	51	15	25	-	-
SPZ 85-03	3	85	89	8	1610	42	-	40	60	15	25	-	-
SPZ 90-03	3	90	94	8	1610	42	-	40	61	15	25	-	-
SPZ 95-03	3	95	99	8	1610	42	-	40	66	15	25	-	-
SPZ 100-03	3	100	104	8	1610	42	-	40	71	15	25	-	-
SPZ 106-03	3	106	110	8	1610	42	-	40	78	15	25	-	-
SPZ 112-03	3	112	116	8	2012	50	-	40	84	8	32	-	-
SPZ 118-03	3	118	122	8	2012	50	-	40	92	8	32	-	-
SPZ 125-03	3	125	129	2	2012	50	-	40	97	-	32	8	-
SPZ 132-03	3	132	136	2	2012	50	-	40	104	-	32	8	-
SPZ 140-03	3	140	144	2	2012	50	-	40	112	-	32	8	-
SPZ 150-03	3	150	154	2	2012	50	-	40	122	-	32	8	-
SPZ 160-03	3	160	164	2	2012	50	-	40	132	-	32	8	-
SPZ 170-03	3	170	174	2	2012	50	-	40	141	-	32	8	-
SPZ 180-03	3	180	184	2	2012	50	-	40	152	-	32	8	-
SPZ 190-03	3	190	194	6	2012	50	20	40	161	4	32	4	100
SPZ 200-03	3	200	204	6	2012	50	20	40	172	4	32	4	100
SPZ 224-03	3	224	228	6	2012	50	20	40	196	4	32	4	100
SPZ 250-03	3	250	254	5	2012	50	-	40	222	4	32	4	100
SPZ 280-03	3	280	284	4	2517	60	-	40	252	2,5	45	2,5	120
SPZ 315-03	3	315	319	4	2517	60	-	40	287	2,5	45	2,5	120
SPZ 355-03	3	355	359	4	2517	60	-	40	326	2,5	45	2,5	120
SPZ 400-03	3	400	404	4	2517	60	-	40	371	2,5	45	2,5	120
SPZ 450-03	3	450	454	4	2517	60	-	40	421	2,5	45	2,5	120
SPZ 500-03	3	500	504	4	2517	60	-	40	471	2,5	45	2,5	120
SPZ 630-03	3	630	634	4	2517	60	-	40	601	2,5	45	2,5	120
SPZ 800-03	3	800	804	4	3020	75	-	40	771	5,5	51	5,5	150



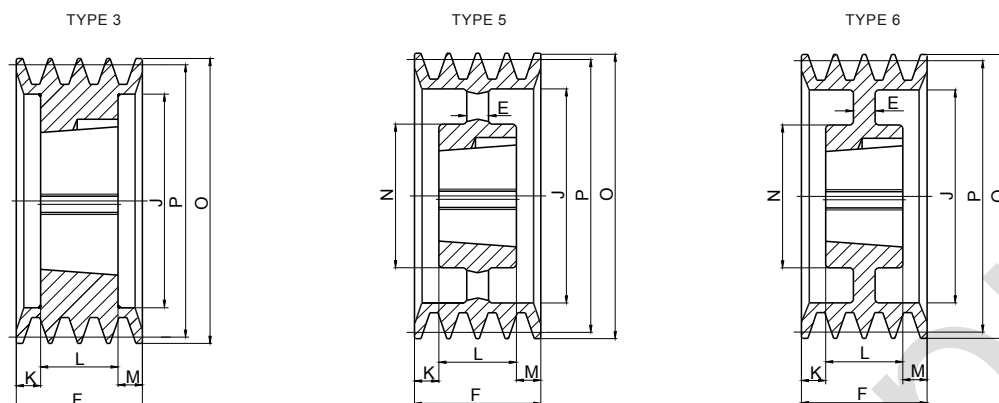
Type	Grooves	P	O	Type	Bush	Max Bore	E	F	J	K	L	M	N
SPZ 80-04	4	80	84	8	1210	32	-	52	51	27	25	-	-
SPZ 85-04	4	85	89	8	1610	42	-	52	60	27	25	-	-
SPZ 90-04	4	90	94	8	1610	42	-	52	61	27	25	-	-
SPZ 95-04	4	95	99	8	1610	42	-	52	66	27	25	-	-
SPZ 100-04	4	100	104	8	1610	42	-	52	72	27	25	-	-
SPZ 106-04	4	106	110	8	1610	42	-	52	80	27	25	-	-
SPZ 112-04	4	112	116	8	2012	50	-	52	86	20	32	-	-
SPZ 118-04	4	118	122	8	2012	50	-	52	92	20	32	-	-
SPZ 125-04	4	125	129	2	2012	50	-	52	99	20	32	20	-
SPZ 132-04	4	132	136	2	2012	50	-	52	104	20	32	20	-
SPZ 140-04	4	140	144	2	2012	50	-	52	112	7	32	20	-
SPZ 150-04	4	150	154	2	2517	60	-	52	122	7	45	7	-
SPZ 160-04	4	160	164	2	2517	60	-	52	132	7	45	7	-
SPZ 170-04	4	170	174	2	2517	60	-	52	141	7	45	7	-
SPZ 180-04	4	180	184	2	2517	60	-	52	152	7	45	7	-
SPZ 190-04	4	190	194	6	2517	60	10	52	161	3.5	45	3.5	120
SPZ 200-04	4	200	204	6	2517	60	10	52	172	3.5	45	3.5	120
SPZ 224-04	4	224	228	6	2517	60	10	52	196	3.5	45	3.5	120
SPZ 250-04	4	250	254	5	2517	60	-	52	222	3.5	45	3.5	120
SPZ 280-04	4	280	284	5	2517	60	-	52	252	3.5	45	3.5	120
SPZ 315-04	4	315	319	5	2517	60	-	52	287	3.5	45	3.5	120
SPZ 355-04	4	355	359	5	2517	60	-	52	326	3.5	45	3.5	120
SPZ 400-04	4	400	404	5	2517	60	-	52	371	3.5	45	3.5	120
SPZ 450-04	4	450	454	5	3020	75	-	52	421	0.5	51	0.5	150
SPZ 500-04	4	500	504	5	3020	75	-	52	471	0.5	51	0.5	150
SPZ 630-04	4	630	634	4	3030	75	-	52	601	12	76	12	150
SPZ 800-04	4	800	804	4	3030	75	-	52	771	12	76	12	150



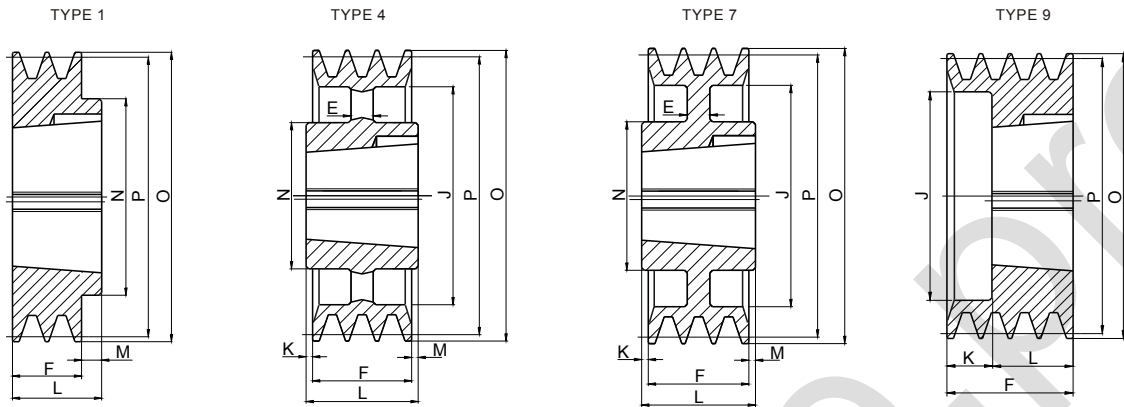
Type	Grooves	P	O	Type	Bush	Max Bore	E	F	J	K	L	M	N
SPZ 85-05	5	85	89	8	1610	42	-	64	60	39	25	-	-
SPZ 90-05	5	90	94	8	1610	42	-	64	61	39	25	-	-
SPZ 95-05	5	95	99	8	1610	42	-	64	66	39	25	-	-
SPZ 100-05	5	100	104	8	2012	50	-	64	72	32	32	-	-
SPZ 106-05	5	106	110	8	2012	50	-	64	78	32	32	-	-
SPZ 112-05	5	112	116	8	2012	50	-	64	84	32	32	-	-
SPZ 118-05	5	118	122	8	2012	50	-	64	90	32	32	-	-
SPZ 125-05	5	125	129	8	2012	50	-	64	97	32	32	-	-
SPZ 132-05	5	132	136	8	2517	60	-	64	104	19	45	-	-
SPZ 140-05	5	140	144	2	2517	60	-	64	112	-	45	19	-
SPZ 150-05	5	150	154	2	2517	60	-	64	122	-	45	19	-
SPZ 160-05	5	160	164	2	2517	60	-	64	132	-	45	19	-
SPZ 170-05	5	170	174	2	2517	60	-	64	141	-	45	19	-
SPZ 180-05	5	180	184	2	2517	60	-	64	152	-	45	19	-
SPZ 190-05	5	190	194	6	2517	60	10	64	161	9.5	45	9.5	120
SPZ 200-05	5	200	204	6	2517	60	10	64	172	9.5	45	9.5	120
SPZ 224-05	5	224	228	6	2517	60	10	64	196	9.5	45	9.5	120
SPZ 250-05	5	250	254	5	2517	60	-	64	222	9.5	45	9.5	120
SPZ 280-05	5	280	284	5	2517	60	-	64	252	9.5	45	9.5	120
SPZ 315-05	5	315	319	5	2517	60	-	64	287	9.5	45	9.5	120
SPZ 355-05	5	355	359	5	2517	60	-	64	326	9.5	45	9.5	120
SPZ 400-05	5	400	404	5	3020	75	-	64	371	6.5	51	6.5	150
SPZ 450-05	5	450	454	5	3020	75	-	64	421	6.5	51	6.5	150
SPZ 500-05	5	500	504	4	3030	75	-	64	471	6	76	6	150
SPZ 630-05	5	630	634	4	3030	75	-	64	601	6	76	6	150
SPZ 800-05	5	800	804	4	3535	90	-	64	771	12.5	89	12.5	170



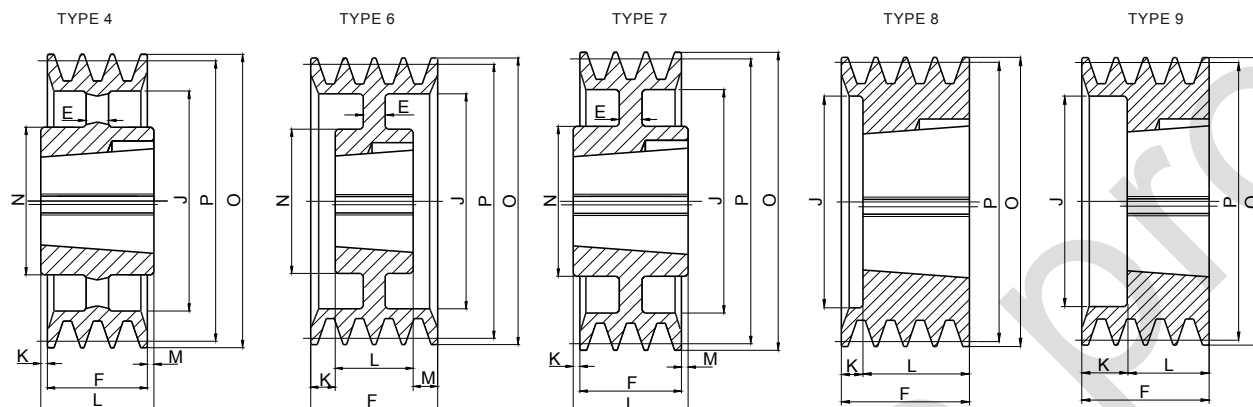
Type	Grooves	P	O	Type	Bush	Max Bore	E	F	J	K	L	M	N
SPZ 90-06	6	90	94	8	1610	42	-	76	61	51	25	-	-
SPZ 95-06	6	95	99	8	1610	42	-	76	66	51	25	-	-
SPZ 100-06	6	100	104	8	2012	50	-	76	72	44	32	-	-
SPZ 106-06	6	106	110	8	2012	50	-	76	78	44	32	-	-
SPZ 112-06	6	112	116	8	2012	50	-	76	84	44	32	-	-
SPZ 118-06	6	118	122	8	2517	60	-	76	90	31	45	-	-
SPZ 125-06	6	125	129	8	2517	60	-	76	97	31	45	-	-
SPZ 132-06	6	132	136	8	2517	60	-	76	104	31	45	-	-
SPZ 140-06	6	140	144	2	2517	60	-	76	112	-	45	31	-
SPZ 150-06	6	150	154	2	2517	60	-	76	122	-	45	31	-
SPZ 160-06	6	160	164	2	2517	60	-	76	132	-	45	31	-
SPZ 170-06	6	170	174	2	2517	60	-	76	141	-	45	31	-
SPZ 180-06	6	180	184	2	2517	60	-	76	152	-	45	31	-
SPZ 190-06	6	190	194	6	2517	60	10	76	161	15.5	45	15.5	120
SPZ 200-06	6	200	204	6	2517	60	10	76	172	15.5	45	15.5	120
SPZ 224-06	6	224	228	6	2517	60	10	76	196	15.5	45	15.5	120
SPZ 250-06	6	250	254	5	2517	60	-	76	222	15.5	45	15.5	120
SPZ 280-06	6	280	284	5	2517	60	-	76	252	15.5	45	15.5	120
SPZ 315-06	6	315	319	5	2517	60	-	76	287	15.5	45	15.5	120
SPZ 355-06	6	355	359	5	2517	60	-	76	326	15.5	45	15.5	125
SPZ 400-06	6	400	404	5	3030	75	-	76	371	-	76	-	150
SPZ 450-06	6	450	454	5	3030	75	-	76	421	-	76	-	150
SPZ 500-06	6	500	504	5	3030	75	-	76	471	-	76	-	150
SPZ 630-06	6	630	634	4	3535	90	-	76	601	6.5	89	6.5	170
SPZ 800-06	6	800	804	4	3535	90	-	76	771	6.5	89	6.5	170



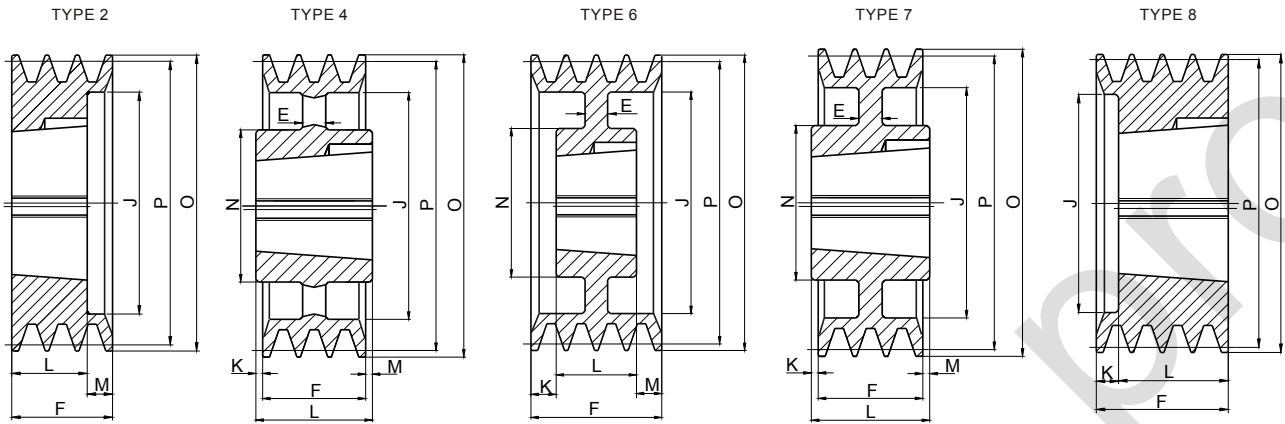
Type	Grooves	P	O	Type	Bush	Max Bore	E	F	J	K	L	M	N
SPZ 140-08	8	140	144	3	2517	60	-	100	112	27.5	45	27.5	-
SPZ 150-08	8	150	154	3	2517	60	-	100	122	27.5	45	27.5	-
SPZ 160-08	8	160	164	3	2517	60	-	100	132	27.5	45	27.5	-
SPZ 180-08	8	180	184	3	2517	60	-	100	152	27.5	45	27.5	-
SPZ 200-08	8	200	204	3	3020	75	-	100	171	24.5	51	24.5	-
SPZ 224-08	8	224	228	3	3020	75	-	100	195	24.5	51	24.5	-
SPZ 250-08	8	250	254	6	3020	75	-	100	221	24.5	51	24.5	150
SPZ 280-08	8	280	284	5	3020	75	-	100	252	24.5	51	24.5	150
SPZ 355-08	8	355	359	5	3030	75	-	100	326	12	76	12	150
SPZ 400-08	8	400	404	5	3030	75	-	100	371	12	76	12	150
SPZ 450-08	8	450	454	5	3535	90	-	100	421	5.5	89	5.5	170



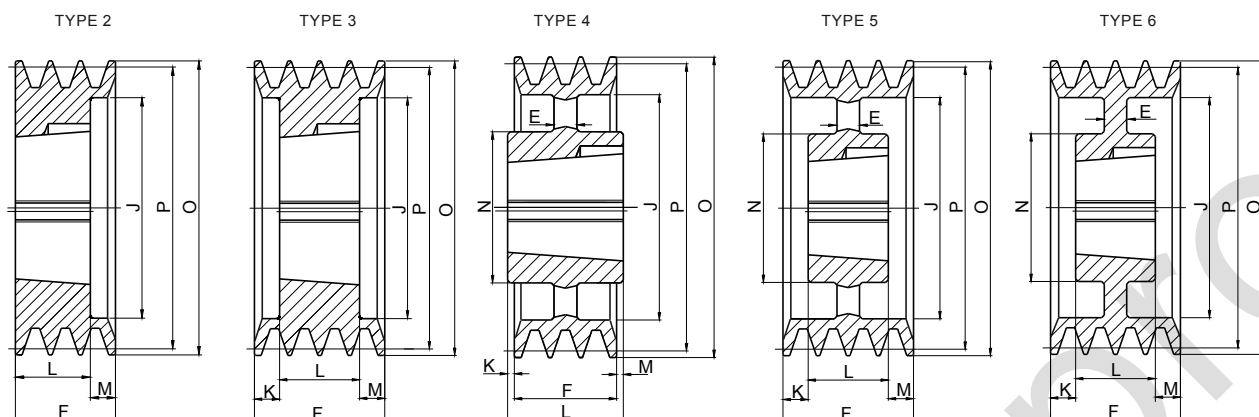
Type	Grooves	P	O	Type	Bush	Max Bore	E	F	J	K	L	M	N
SPA 63-01	1	63	68.5	9	1108	28	-	40	38	18	22	-	-
SPA 67-01	1	67	72.5	1	1108	28	-	20	38	-	22	2	62
SPA 71-01	1	71	76.5	1	1108	28	-	20	-	-	22	2	62
SPA 75-01	1	75	80.5	1	1108	28	-	20	-	-	22	2	62
SPA 80-01	1	80	85.5	1	1210	32	-	20	-	-	25	5	75
SPA 85-01	1	85	90.5	1	1210	32	-	20	-	-	25	5	75
SPA 90-01	1	90	95.5	1	1210	32	-	20	-	-	25	5	75
SPA 95-01	1	95	100.5	1	1210	32	-	20	-	-	25	5	75
SPA 100-01	1	100	105.5	1	1610	42	-	20	-	-	25	5	80
SPA 106-01	1	106	111.5	1	1610	42	-	20	-	-	25	5	80
SPA 112-01	1	112	117.5	1	1610	42	-	20	-	-	25	5	80
SPA 118-01	1	118	123.5	1	1610	42	-	20	-	-	25	5	80
SPA 125-01	1	125	130.5	1	1610	42	-	20	-	-	25	5	80
SPA 132-01	1	132	137.5	1	1610	42	-	20	-	-	25	5	80
SPA 140-01	1	140	145.5	1	1610	42	-	20	-	-	25	5	80
SPA 150-01	1	150	155.5	1	1610	42	-	20	-	-	25	5	80
SPA 160-01	1	160	165.5	1	1610	42	-	20	-	-	25	5	80
SPA 170-01	1	170	175.5	1	1610	42	-	20	-	-	25	5	80
SPA 180-01	1	180	185.5	1	1610	42	-	20	-	-	25	5	80
SPA 190-01	1	190	195.5	1	1610	42	-	20	-	-	25	5	80
SPA 200-01	1	200	205.5	7	2012	50	10	20	165	-	32	12	100
SPA 212-01	1	212	217.5	7	2012	50	10	20	177	-	32	12	100
SPA 224-01	1	224	229.5	7	2012	50	10	20	189	-	32	12	100
SPA 250-01	1	250	255.5	7	2012	50	10	20	215	6	32	6	100
SPA 280-01	1	280	285.5	7	2012	50	10	20	245	-	32	12	100
SPA 315-01	1	315	320.5	4	2012	50	-	20	280	-	32	12	100
SPA 355-01	1	355	360.5	4	2012	50	-	20	320	-	32	12	100
SPA 400-01	1	400	405.5	4	2012	50	-	20	365	-	32	12	100
SPA 450-01	1	450	455.5	4	2012	50	-	20	415	-	32	12	100
SPA 500-01	1	500	505.5	4	2517	60	-	20	465	-	45	25	120
SPA 630-01	1	630	635.5	4	2517	60	-	20	595	-	45	25	120



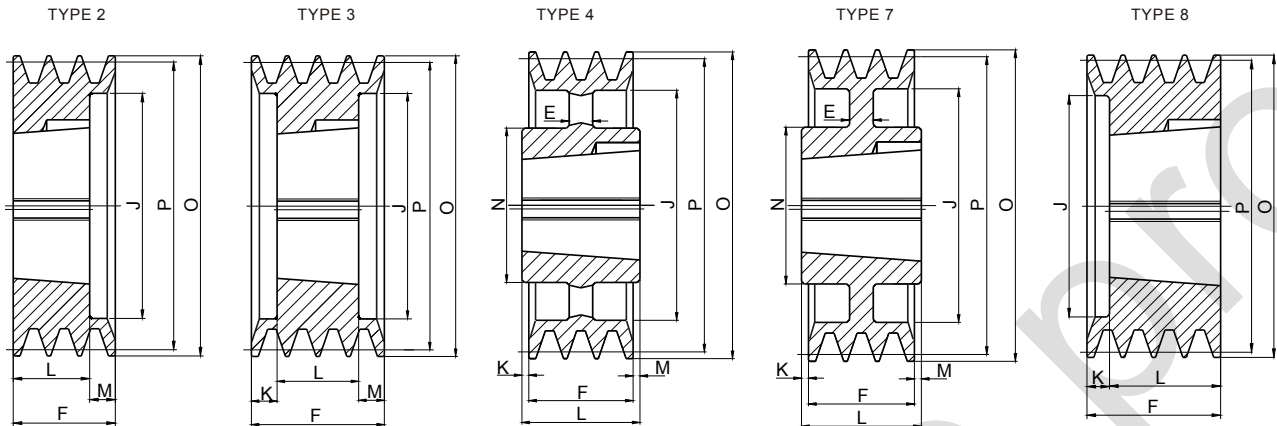
Type	Grooves	P	O	Type	Bush	Max Bore	E	F	J	K	L	M	N
SPA 63-02	2	63	68.5	9	1108	28	-	55	36	33	22	-	-
SPA 67-02	2	67	72.5	8	1108	28	-	35	37	13	22	-	-
SPA 71-02	2	71	76.5	8	1108	28	-	35	40	13	22	-	-
SPA 75-02	2	75	80.5	8	1108	28	-	35	44	10	25	-	-
SPA 80-02	2	80	85.5	8	1210	32	-	35	47	10	25	-	-
SPA 85-02	2	85	90.5	8	1210	32	-	35	50	10	25	-	-
SPA 90-02	2	90	95.5	8	1610	42	-	35	60	10	25	-	-
SPA 95-02	2	95	100.5	8	1610	42	-	35	64	10	25	-	-
SPA 100-02	2	100	105.5	8	1610	42	-	35	70	10	25	-	-
SPA 106-02	2	106	111.5	8	1610	42	-	35	76	10	25	-	-
SPA 112-02	2	112	117.5	8	1610	42	-	35	80	10	25	-	-
SPA 118-02	2	118	123.5	8	1610	42	-	35	86	10	25	-	-
SPA 125-02	2	125	130.5	8	1610	42	-	35	90	10	25	-	-
SPA 132-02	2	132	137.5	8	2012	50	-	35	98	3	32	-	-
SPA 140-02	2	140	145.5	8	2012	50	-	35	106	3	32	-	-
SPA 150-02	2	150	155.5	8	2012	50	-	35	116	3	32	-	-
SPA 160-02	2	160	165.5	8	2012	50	-	35	125	3	32	-	-
SPA 170-02	2	170	175.5	8	2012	50	-	35	135	3	32	-	-
SPA 180-02	2	180	185.5	6	2012	50	15	35	148	1,5	32	1,5	100
SPA 190-02	2	190	195.5	6	2012	50	15	35	158	1,5	32	1,5	100
SPA 200-02	2	200	205.5	7	2517	60	15	35	165	5	45	5	120
SPA 212-02	2	212	217.5	7	2517	60	15	35	177	5	45	5	120
SPA 224-02	2	224	229.5	7	2517	60	15	35	189	-	45	10	120
SPA 250-02	2	250	255.5	7	2517	60	20	35	215	5	45	5	120
SPA 280-02	2	280	285.5	7	2517	60	20	35	245	-	45	10	120
SPA 315-02	2	315	320.5	4	2517	60	-	35	280	-	45	10	120
SPA 355-02	2	355	360.5	4	2517	60	-	35	320	-	45	10	120
SPA 400-02	2	400	405.5	4	2517	60	-	35	365	-	45	10	120
SPA 450-02	2	450	455.5	4	2517	60	-	35	405	-	45	10	120
SPA 500-02	2	500	505.5	4	2517	60	-	35	465	-	45	10	120
SPA 630-02	2	630	635.5	4	3020	75	-	35	595	-	51	16	150



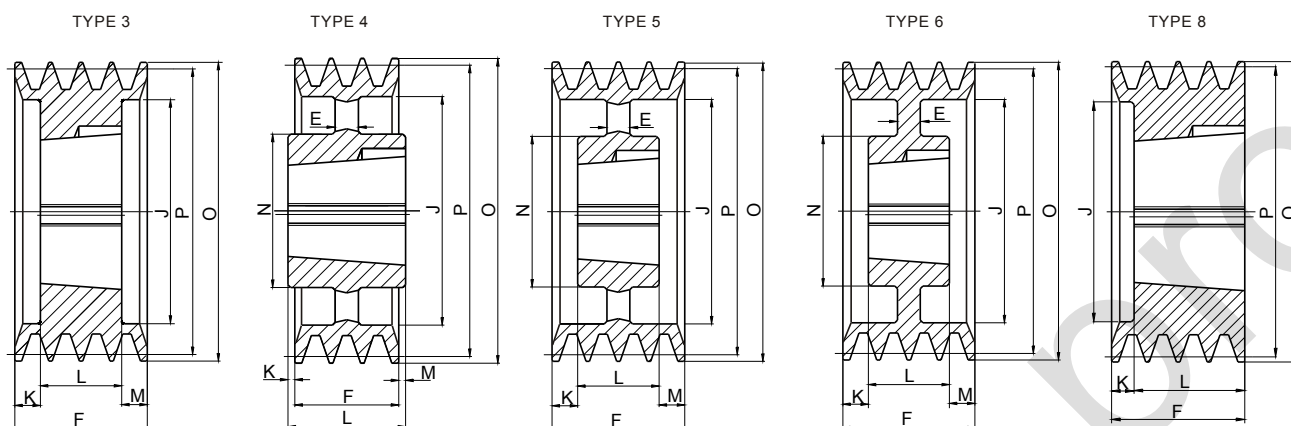
Type	Grooves	P	O	Type	Bush	Max Bore	E	F	J	K	L	M	N
SPA 71-03	3	71	76.5	8	1108	28	-	50	40	28	22	-	-
SPA 75-03	3	75	80.5	8	1210	32	-	50	44	25	25	-	-
SPA 80-03	3	80	85.5	8	1210	32	-	50	47	25	25	-	-
SPA 85-03	3	85	90.5	8	1210	32	-	50	50	25	25	-	-
SPA 90-03	3	90	95.5	8	1610	42	-	50	60	25	25	-	-
SPA 95-03	3	95	100.5	8	1610	42	-	50	64	25	25	-	-
SPA 100-03	3	100	105.5	2	1610	42	-	50	70	-	25	25	-
SPA 106-03	3	106	111.5	2	1610	42	-	50	76	-	25	25	-
SPA 112-03	3	112	117.5	8	2012	50	-	50	83	18	32	-	-
SPA 118-03	3	118	123.5	2	2012	50	-	50	86	-	32	18	-
SPA 125-03	3	125	130.5	2	2012	50	-	50	92	-	32	18	-
SPA 132-03	3	132	137.5	2	2012	50	-	50	98	-	32	18	-
SPA 140-03	3	140	145.5	8	2517	60	-	50	106	5	45	-	-
SPA 150-03	3	150	155.5	8	2517	60	-	50	116	5	45	-	-
SPA 160-03	3	160	165.5	8	2517	60	-	50	126	5	45	-	-
SPA 170-03	3	170	175.5	8	2517	60	-	50	138	5	45	-	-
SPA 180-03	3	180	185.5	8	2517	60	-	50	146	5	45	-	-
SPA 190-03	3	190	195.5	8	2517	60	-	50	158	5	45	-	-
SPA 200-03	3	200	205.5	6	2517	60	20	50	165	2.5	45	2.5	120
SPA 212-03	3	212	217.5	6	2517	60	20	50	177	2.5	45	2.5	120
SPA 224-03	3	224	229.5	6	2517	60	20	50	189	2.5	45	2.5	120
SPA 250-03	3	250	255.5	6	2517	60	20	50	215	2.5	45	2.5	120
SPA 280-03	3	280	285.5	6	2517	60	20	50	245	2.5	45	2.5	120
SPA 315-03	3	315	320.5	7	3020	75	25	50	280	0.5	51	0.5	150
SPA 355-03	3	355	360.5	4	3020	75	-	50	320	0.5	51	0.5	150
SPA 400-03	3	400	405.5	4	3020	75	-	50	365	0.5	51	0.5	150
SPA 450-03	3	450	455.5	4	3020	75	-	50	415	0.5	51	0.5	150
SPA 500-03	3	500	505.5	4	3020	75	-	50	465	0.5	51	0.5	150
SPA 560-03	3	560	565.5	4	3020	75	-	50	525	0.5	51	0.5	150
SPA 630-03	3	630	635.5	4	3020	75	-	50	595	0.5	51	0.5	150
SPA 800-03	3	800	805.5	4	3535	90	-	50	765	19.5	89	19.5	170
SPA 1000-03	3	1000	1005.5	4	3535	90	-	50	965	19.5	89	19.5	178



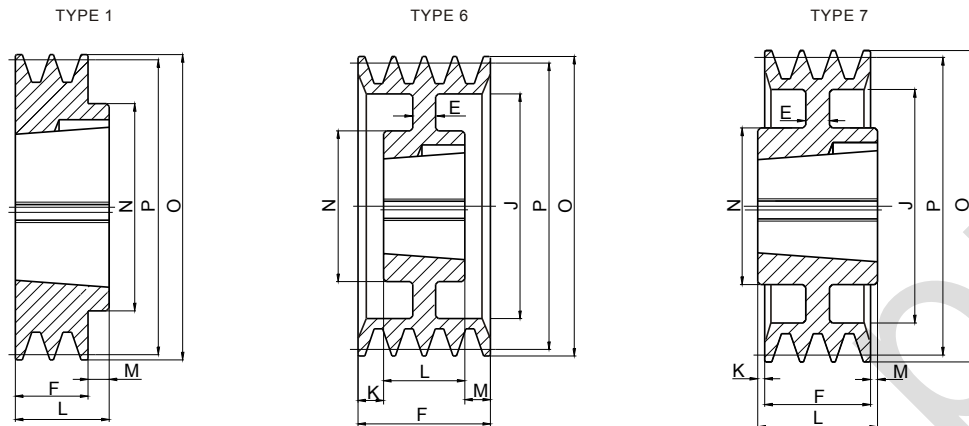
Type	Grooves	P	O	Type	Bush	Max Bore	E	F	J	K	L	M	N
SPA 90-04	4	90	95.5	3	1615	42	-	65	64	13.5	38	13.5	-
SPA 95-04	4	95	100.5	3	1615	42	-	65	64	13.5	38	13.5	-
SPA 100-04	4	100	105.5	2	1615	42	-	65	70	-	38	27	-
SPA 106-04	4	106	111.5	8	2012	50	-	65	76	33	32	-	-
SPA 112-04	4	112	117.5	8	2012	50	-	65	80	33	32	-	-
SPA 118-04	4	118	123.5	2	2012	50	-	65	86	-	32	33	-
SPA 125-04	4	125	130.5	2	2012	50	-	65	92	-	32	33	-
SPA 132-04	4	132	137.5	2	2517	60	-	65	98	-	45	20	-
SPA 140-04	4	140	145.5	2	2517	60	-	65	106	-	45	20	-
SPA 150-04	4	150	155.5	2	2517	60	-	65	116	-	45	20	-
SPA 160-04	4	160	165.5	2	2517	60	-	65	126	-	45	20	-
SPA 170-04	4	170	175.5	2	2517	60	-	65	138	-	45	20	-
SPA 180-04	4	180	185.5	2	2517	60	-	65	146	-	45	20	-
SPA 190-04	4	190	195.5	2	2517	60	-	65	158	-	45	20	-
SPA 200-04	4	200	205.5	2	3020	75	-	65	165	-	51	14	-
SPA 212-04	4	212	217.5	2	3020	75	-	65	177	-	51	14	-
SPA 224-04	4	224	229.5	2	3020	75	-	65	189	-	51	14	-
SPA 250-04	4	250	255.5	6	3020	75	10	65	215	7	51	7	150
SPA 280-04	4	280	285.5	6	3020	75	10	65	245	7	51	7	150
SPA 315-04	4	315	320.5	6	3020	75	10	65	280	7	51	7	150
SPA 355-04	4	355	360.5	5	3020	75	-	65	320	7	51	7	150
SPA 400-04	4	400	405.5	5	3020	75	-	65	365	7	51	7	150
SPA 450-04	4	450	455.5	5	3020	75	-	65	415	7	51	7	150
SPA 500-04	4	500	505.5	5	3020	75	-	65	465	7	51	7	150
SPA 560-04	4	560	565.5	4	3535	90	-	65	525	12	89	12	170
SPA 630-04	4	630	635.5	4	3535	90	-	65	595	12	89	12	170
SPA 800-04	4	800	805.5	4	3535	90	-	65	765	12	89	12	170
SPA 1000-04	4	1000	1005.5	4	4040	90	-	65	965	18.5	102	18.5	216



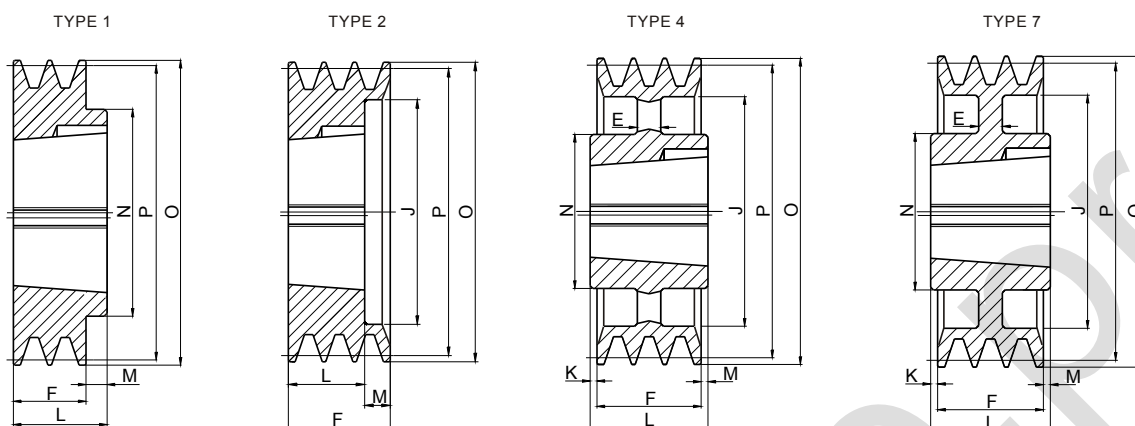
Type	Grooves	P	O	Type	Bush	Max Bore	E	F	J	K	L	M	N
SPA 100-05	5	100	105.5	2	1615	42	-	80	70	-	38	42	-
SPA 106-05	5	106	111.5	8	2012	50	-	80	76	48	32	-	-
SPA 112-05	5	112	117.5	8	2012	50	-	80	80	48	32	-	-
SPA 118-05	5	118	123.5	2	2012	50	-	80	86	-	32	48	-
SPA 125-05	5	125	130.5	3	2012	50	-	80	92	24	32	24	-
SPA 132-05	5	132	137.5	3	2517	60	-	80	98	17.5	45	17.5	-
SPA 140-05	5	140	145.5	3	2517	60	-	80	106	17.5	45	17.5	-
SPA 150-05	5	150	155.5	3	2517	60	-	80	116	17.5	45	17.5	-
SPA 160-05	5	160	165.5	3	2517	60	-	80	126	17.5	45	17.5	-
SPA 170-05	5	170	175.5	3	2517	75	-	80	146	17.5	45	17.5	-
SPA 180-05	5	180	185.5	3	3020	75	-	80	146	14.5	51	14.5	-
SPA 190-05	5	190	195.5	2	3020	75	-	80	156	-	51	29	-
SPA 200-05	5	200	205.5	3	3020	75	-	80	165	14.5	51	14.5	-
SPA 212-05	5	212	217.5	2	3020	75	-	80	177	-	51	29	-
SPA 224-05	5	224	229.5	2	3020	75	-	80	189	-	51	29	-
SPA 250-05	5	250	255.5	6	3020	75	10	80	215	14.5	51	14.5	150
SPA 280-05	5	280	285.5	7	3535	90	10	80	245	4.5	89	4.5	170
SPA 315-05	5	315	320.5	7	3535	90	12	80	280	4.5	89	4.5	170
SPA 355-05	5	355	360.5	4	3535	90	-	80	320	4.5	89	4.5	170
SPA 400-05	5	400	405.5	4	3535	90	-	80	365	4.5	89	4.5	170
SPA 450-05	5	450	455.5	4	3535	90	-	80	415	4.5	89	4.5	170
SPA 500-05	5	500	505.5	4	3535	90	-	80	465	4.5	89	4.5	170
SPA 560-05	5	560	565.5	4	3535	90	-	80	525	4.5	89	4.5	170
SPA 630-05	5	630	635.5	4	3535	90	-	80	595	4.5	89	4.5	170
SPA 800-05	5	800	805.5	4	4040	100	-	80	765	11	102	11	216
SPA 1000-05	5	1000	1005.5	4	4545	110	-	80	965	17	114	17	225



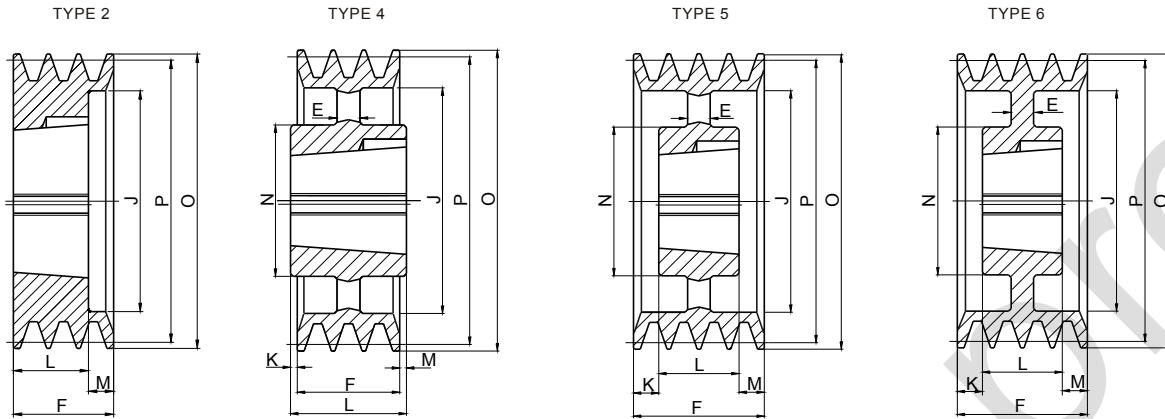
Type	Grooves	P	O	Type	Bush	Max Bore	E	F	J	K	L	M	N
SPA100-06	6	100	105,5	3	1615	42	-	95	70	28.5	38	28.5	-
SPA106-06	6	106	111,5	8	2012	50	-	95	76	63	32	-	-
SPA112-06	6	112	117,5	8	2012	50	-	95	80	63	32	-	-
SPA118-06	6	118	123,5	8	2012	50	-	95	86	63	32	-	-
SPA125-06	6	125	130,5	3	2012	50	-	95	92	31.5	32	31.5	-
SPA132-06	6	132	137,5	3	2517	60	-	95	98	25	45	25	-
SPA140-06	6	140	145,5	3	2517	60	-	95	106	25	45	25	-
SPA150-06	6	150	155,5	3	2517	60	-	95	116	25	45	25	-
SPA160-06	6	160	165,5	3	2517	60	-	95	126	25	45	25	-
SPA180-06	6	180	185,5	3	3020	75	-	95	146	22	51	22	-
SPA200-06	6	200	205,5	3	3020	75	-	95	165	22	51	22	-
SPA224-06	6	224	229,5	3	3020	75	-	95	189	22	51	22	-
SPA250-06	6	250	255,5	6	3020	75	20	95	215	22	51	22	150
SPA280-06	6	280	285,5	6	3535	90	25	95	245	3	89	3	170
SPA315-06	6	315	320,5	6	3535	90	25	95	280	3	89	3	170
SPA355-06	6	355	360,5	5	3535	90	-	95	320	3	89	3	170
SPA400-06	6	400	405,5	5	3535	90	-	95	365	3	89	3	170
SPA450-06	6	450	455,5	5	3535	90	-	95	415	3	89	3	170
SPA500-06	6	500	505,5	5	3535	90	-	95	465	3	89	3	170
SPA560-06	6	560	565,5	5	3535	90	-	95	525	3	89	3	170
SPA630-06	6	630	635,5	4	4040	100	-	95	595	3.5	102	3.5	216
SPA800-06	6	800	805,5	4	4040	100	-	95	765	3.5	102	3.5	216
SPA1000-06	6	1000	1005,5	4	4545	110	-	95	965	9.5	114	9.5	225



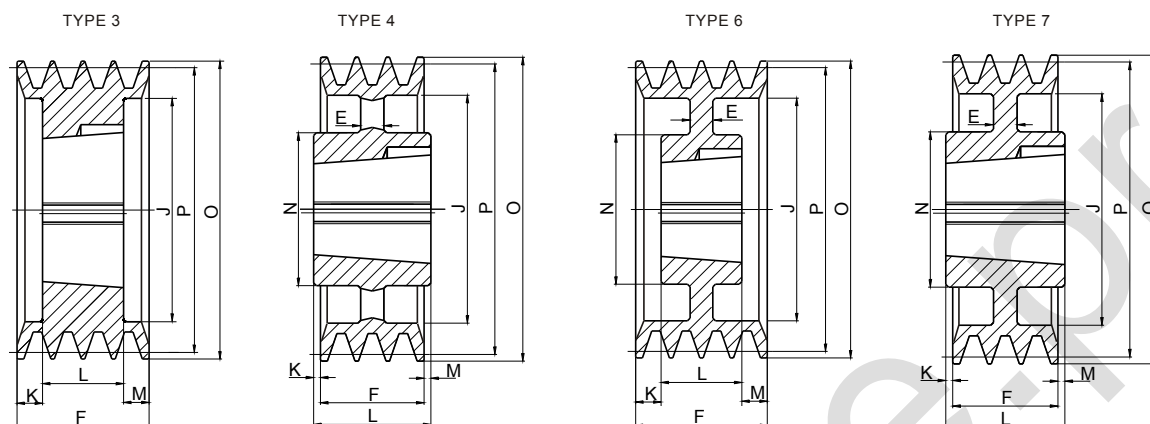
Type	Grooves	P	O	Type	Bush	Max Bore	E	F	J	K	L	M	N
SPB 100-01	1	100	107	1	1610	42	-	25	-	-	25	-	-
SPB 106-01	1	106	113	1	1610	42	-	25	-	-	25	-	-
SPB 112-01	1	112	119	1	1610	42	-	25	-	-	25	-	-
SPB 118-01	1	118	125	1	1610	42	-	25	-	-	25	-	-
SPB 125-01	1	125	132	1	1610	42	-	25	-	-	25	-	-
SPB 132-01	1	132	139	1	1610	42	-	25	-	-	25	-	-
SPB 140-01	1	140	147	1	1610	42	-	25	-	-	25	-	-
SPB 150-01	1	150	157	1	1610	42	-	25	-	-	25	-	-
SPB 160-01	1	160	167	1	1610	42	-	25	-	-	25	-	-
SPB 170-01	1	170	177	1	1610	42	-	25	-	-	25	-	-
SPB 180-01	1	180	187	6	1610	42	10	25	137	-	25	-	80
SPB 190-01	1	190	197	7	2012	50	10	25	147	3.5	32	3.5	100
SPB 200-01	1	200	207	7	2012	50	10	25	157	3.5	32	3.5	100
SPB 212-01	1	212	219	7	2012	50	10	25	169	3.5	32	3.5	100
SPB 224-01	1	224	231	7	2012	50	10	25	181	3.5	32	3.5	100
SPB 236-01	1	236	243	7	2012	50	10	25	193	3.5	32	3.5	100
SPB 250-01	1	250	257	7	2012	50	10	25	207	3.5	32	3.5	100
SPB 280-01	1	280	287	7	2012	50	10	25	237	3.5	32	3.5	100
SPB 300-01	1	300	307	7	2012	50	10	25	258	3.5	32	3.5	100
SPB 315-01	1	315	322	7	2012	50	10	25	272	3.5	32	3.5	100



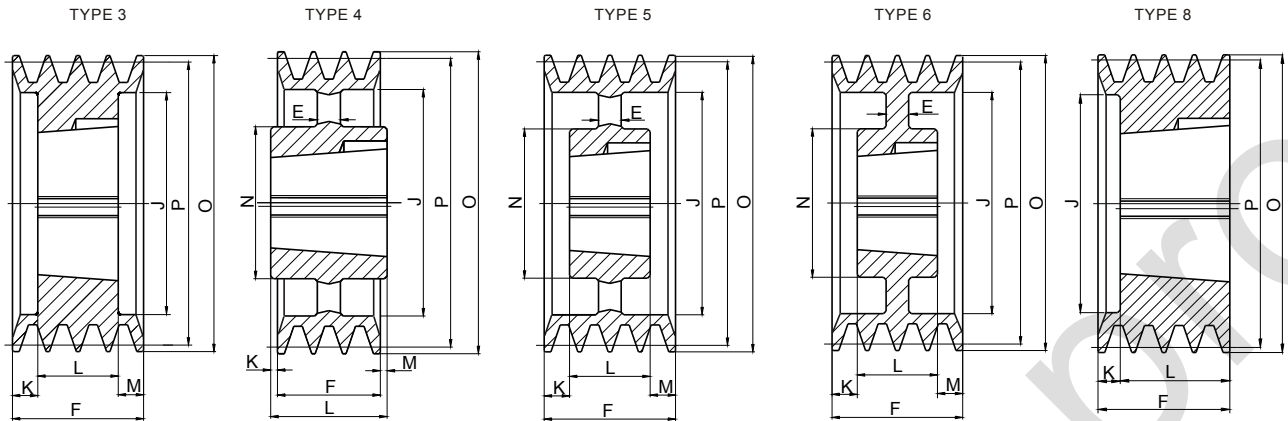
Type	Grooves	P	O	Type	Bush	Max Bore	E	F	J	K	L	M	N
SPB 100-02	2	100	107	2	1610	42	-	44	62	-	25	19	-
SPB 106-02	2	106	113	2	1610	42	-	44	67	-	25	19	-
SPB 112-02	2	112	119	2	1610	42	-	44	72	-	25	19	-
SPB 118-02	2	118	125	2	1610	42	-	44	78	-	25	19	-
SPB 125-02	2	125	132	2	2012	50	-	44	82	-	32	12	-
SPB 132-02	2	132	139	2	2012	50	-	44	89	-	32	12	-
SPB 140-02	2	140	147	2	2012	50	-	44	97	-	32	12	-
SPB 150-02	2	150	157	2	2012	50	-	44	107	-	32	12	-
SPB 160-02	2	160	167	2	2012	50	-	44	117	-	32	12	-
SPB 170-02	2	170	177	2	2012	50	-	44	127	-	32	12	-
SPB 180-02	2	180	187	1	2517	60	-	44	-	-	45	1	120
SPB 190-02	2	190	197	1	2517	60	-	44	-	-	45	1	120
SPB 200-02	2	200	207	1	2517	60	-	44	-	-	45	1	120
SPB 212-02	2	212	219	7	2517	60	10	44	169	-	45	1	120
SPB 224-02	2	224	231	7	2517	60	10	44	181	1	45	-	120
SPB 236-02	2	236	243	7	2517	60	10	44	193	1	45	-	120
SPB 250-02	2	250	257	7	2517	60	10	44	207	1	45	-	120
SPB 280-02	2	280	287	7	2517	60	12	44	237	1	45	-	120
SPB 300-02	2	300	307	7	2517	60	12	44	257	1	45	-	120
SPB 315-02	2	315	322	7	2517	60	12	44	272	1	45	-	120
SPB 335-02	2	335	342	7	2517	60	12	44	292	1	45	-	120
SPB 355-02	2	355	362	4	3020	75	-	44	312	3.5	51	3.5	150
SPB 400-02	2	400	407	4	3020	75	-	44	357	3.5	51	3.5	150
SPB 450-02	2	450	457	4	3020	75	-	44	407	3.5	51	3.5	150
SPB 500-02	2	500	507	4	3020	75	-	44	457	3.5	51	3.5	150
SPB 560-02	2	560	567	4	3030	75	-	44	517	4	76	28	150
SPB 630-02	2	630	637	4	3030	75	-	44	587	4	76	28	150



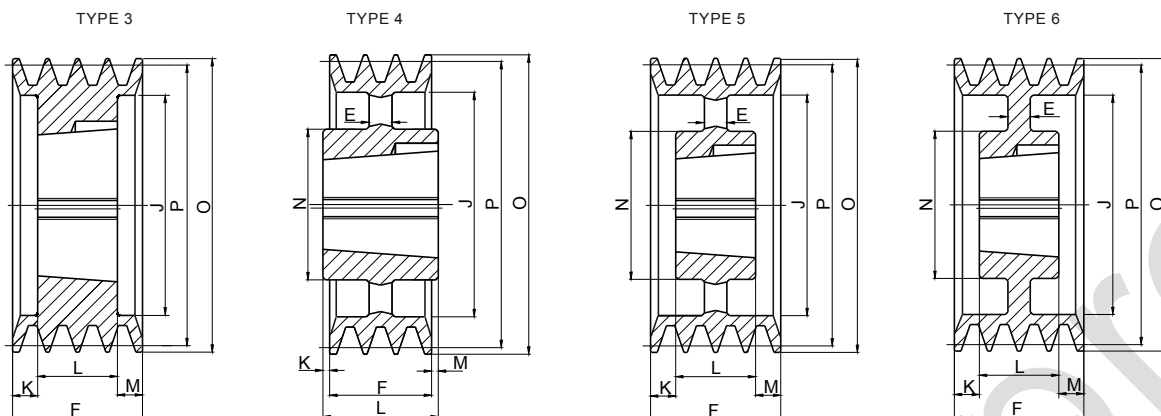
Type	Grooves	P	O	Type	Bush	Max Bore	E	F	J	K	L	M	N
SPB 100-03	3	100	107	2	1610	42	-	63	57	-	25	38	-
SPB 106-03	3	106	113	2	1610	42	-	63	67	-	25	38	-
SPB 112-03	3	112	119	2	1610	42	-	63	72	-	25	38	-
SPB 118-03	3	118	125	2	1610	42	-	63	78	-	25	38	-
SPB 125-03	3	125	132	2	2012	50	-	63	82	-	32	31	-
SPB 132-03	3	132	139	2	2012	50	-	63	89	-	32	31	-
SPB 140-03	3	140	147	2	2012	50	-	63	97	-	32	31	-
SPB 150-03	3	150	157	2	2517	60	-	63	107	-	45	18	-
SPB 160-03	3	160	167	2	2517	60	-	63	117	-	45	18	-
SPB 170-03	3	170	177	2	2517	60	-	63	127	-	45	18	-
SPB 180-03	3	180	187	2	2517	60	-	63	137	-	45	18	-
SPB 190-03	3	190	197	2	2517	60	-	63	147	-	45	18	-
SPB 200-03	3	200	207	2	2517	60	-	63	157	-	45	18	-
SPB 212-03	3	212	219	6	2517	60	12	63	169	-	45	18	120
SPB 224-03	3	224	231	6	2517	60	12	63	181	-	45	18	120
SPB 236-03	3	236	243	6	2517	60	10	63	193	-	45	18	120
SPB 250-03	3	250	257	6	3020	75	12	63	207	-	51	12	150
SPB 280-03	3	280	287	6	3020	75	13	63	237	6	51	6	150
SPB 300-03	3	300	307	6	3020	75	13	63	257	6	51	6	150
SPB 315-03	3	315	322	6	3020	75	13	63	272	6	51	6	150
SPB 335-03	3	335	342	6	3020	75	13	63	292	6	51	6	150
SPB 355-03	3	355	362	5	3020	75	-	63	312	6	51	6	150
SPB 400-03	3	400	407	4	3535	90	-	63	357	13	89	13	170
SPB 450-03	3	450	457	4	3535	90	-	63	407	-	89	26	170
SPB 500-03	3	500	507	4	3535	90	-	63	457	-	89	26	170
SPB 560-03	3	560	567	4	3535	90	-	63	517	-	89	26	170
SPB 630-03	3	630	637	4	3535	90	-	63	587	-	89	26	170
SPB 710-03	3	710	717	4	3535	90	-	63	664	4	89	22	170
SPB 800-03	3	800	807	4	3535	90	-	63	754	4	89	22	170
SPB 900-03	3	900	907	4	3535	90	-	63	854	4	89	22	170
SPB 1000-03	3	1000	1007	4	4040	100	-	63	954	6	102	33	200
SPB 1250-03	3	1250	1257	4	4040	100	-	63	1204	6	102	33	200



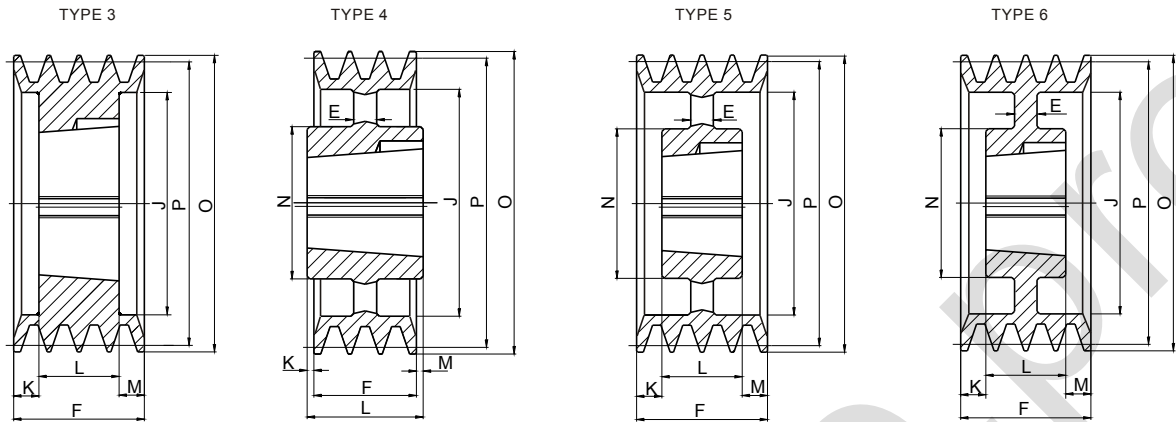
Type	Grooves	P	O	Type	Bush	Max Bore	E	F	J	K	L	M	N
SPB 125-04	4	125	132	3	2012	50	-	82	82	25	32	25	-
SPB 132-04	4	132	139	3	2012	50	-	82	89	25	32	25	-
SPB 140-04	4	140	147	3	2517	60	-	82	97	18.5	45	18.5	-
SPB 150-04	4	150	157	3	2517	60	-	82	107	18.5	45	18.5	-
SPB 160-04	4	160	167	3	2517	60	-	82	117	18.5	45	18.5	-
SPB 170-04	4	170	177	3	2517	60	-	82	127	18.5	45	18.5	-
SPB 180-04	4	180	187	3	2517	60	-	82	137	18.5	45	18.5	-
SPB 190-04	4	190	197	3	2517	60	-	82	147	18.5	45	18.5	-
SPB 200-04	4	200	207	3	3020	75	-	82	157	15.5	51	15.5	-
SPB 212-04	4	212	219	3	3020	75	-	82	169	15.5	51	15.5	-
SPB 224-04	4	224	231	3	3020	75	-	82	181	15.5	51	15.5	-
SPB 236-04	4	236	243	3	3020	75	-	82	193	15.5	51	15.5	-
SPB 250-04	4	250	257	6	3020	75	14	82	207	15.5	51	15.5	150
SPB 280-04	4	280	287	6	3020	75	16	82	237	15.5	51	15.5	150
SPB 300-04	4	300	307	6	3020	90	16	82	257	15.5	51	15.5	150
SPB 315-04	4	315	322	7	3535	90	16	82	272	3.5	89	3.5	170
SPB 335-04	4	335	342	7	3535	90	16	82	292	3.5	89	3.5	170
SPB 355-04	4	355	362	7	3535	90	16	82	312	3.5	89	3.5	170
SPB 400-04	4	400	407	4	3535	90	-	82	357	3.5	89	3.5	170
SPB 450-04	4	450	457	4	3535	90	-	82	407	-	89	7	170
SPB 500-04	4	500	507	4	3535	90	-	82	457	-	89	7	170
SPB 560-04	4	560	567	4	3535	90	-	82	517	-	89	7	170
SPB 630-04	4	630	637	4	3535	90	-	82	587	-	89	7	170
SPB 710-04	4	710	717	4	3535	90	-	82	664	3.5	89	3.5	187
SPB 800-04	4	800	807	4	4040	100	-	82	754	4	102	16	200
SPB 900-04	4	900	907	4	4040	100	-	82	854	4	102	16	216
SPB 1000-04	4	1000	1007	4	4040	100	-	82	954	4	102	16	216
SPB 1250-04	4	1250	1257	4	4545	110	-	82	1204	6	114	26	225



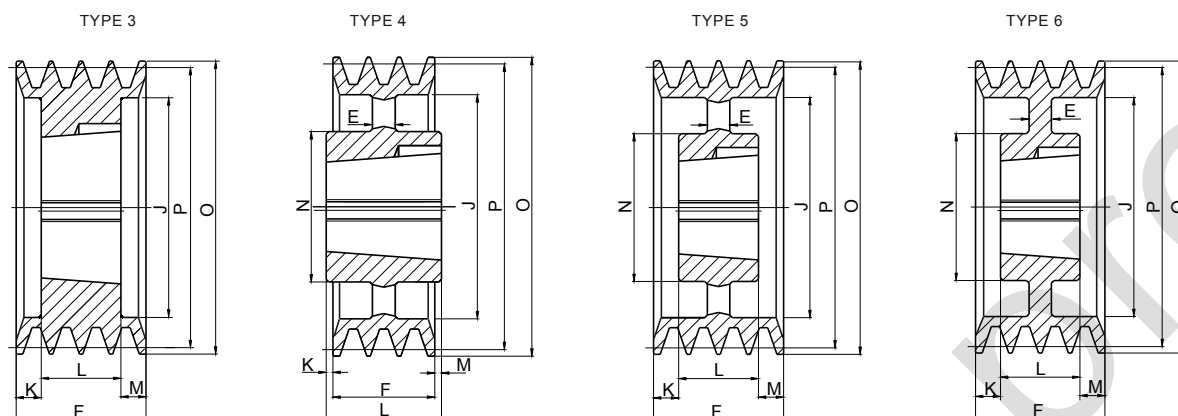
Type	Grooves	P	O	Type	Bush	Max Bore	E	F	J	K	L	M	N
SPB 125-05	5	125	132	8	2012	50	-	101	82	69	32	-	-
SPB 132-05	5	132	139	8	2517	60	-	101	89	56	45	-	-
SPB 140-05	5	140	147	3	2517	60	-	101	97	28	45	28	-
SPB 150-05	5	150	157	3	2517	60	-	101	107	28	45	28	-
SPB 160-05	5	160	167	3	2517	60	-	101	117	28	45	28	-
SPB 170-05	5	170	177	3	3020	75	-	101	127	25	51	25	-
SPB 180-05	5	180	187	3	3020	75	-	101	137	25	51	25	-
SPB 190-05	5	190	197	3	3020	75	-	101	147	25	51	25	-
SPB 200-05	5	200	207	3	3020	75	-	101	157	25	51	25	-
SPB 212-05	5	212	219	3	3020	75	-	101	169	25	51	25	-
SPB 224-05	5	224	231	3	3020	75	-	101	181	25	51	25	-
SPB 236-05	5	236	243	3	3535	90	-	101	193	6	89	6	-
SPB 250-05	5	250	257	3	3535	90	-	101	207	6	89	6	-
SPB 280-05	5	280	287	6	3535	90	18	101	237	6	89	6	170
SPB 300-05	5	300	307	6	3535	90	18	101	257	6	89	6	170
SPB 315-05	5	315	322	6	3535	90	18	101	272	6	89	6	170
SPB 335-05	5	335	342	6	3535	90	16	101	292	6	89	6	170
SPB 355-05	5	355	362	5	3535	90	-	101	312	6	89	6	170
SPB 400-05	5	400	407	5	3535	90	-	101	357	6	89	6	170
SPB 450-05	5	450	457	5	3535	90	-	101	407	-	89	12	170
SPB 500-05	5	500	507	5	3535	90	-	101	457	-	89	12	170
SPB 560-05	5	560	567	4	4040	100	-	101	517	-	102	1	200
SPB 630-05	5	630	637	4	4040	100	-	101	587	-	102	1	200
SPB 710-05	5	710	717	4	4040	100	-	101	664	0.5	102	0.5	200
SPB 800-05	5	800	807	4	4040	100	-	101	754	0.5	102	0.5	200
SPB 900-05	5	900	907	4	4545	110	-	101	854	6.5	114	6.5	225
SPB 1000-05	5	1000	1007	4	4545	110	-	101	954	6.5	114	6.5	225
SPB 1250-05	5	1250	1257	4	4545	110	-	101	1204	6.5	114	6.5	225



Type	Grooves	P	O	Type	Bush	Max Bore	E	F	J	K	L	M	N
SPB140-06	6	140	147	3	2517	60	-	120	97	37.5	45	37.5	-
SPB150-06	6	150	157	3	2517	60	-	120	107	37.5	45	37.5	-
SPB160-06	6	160	167	3	3020	75	-	120	117	34.5	51	34.5	-
SPB170-06	6	170	177	3	3020	75	-	120	127	34.5	51	34.5	-
SPB180-06	6	180	187	3	3020	75	-	120	137	34.5	51	34.5	-
SPB190-06	6	190	197	3	3020	75	-	120	147	34.5	51	34.5	-
SPB200-06	6	200	207	3	3020	75	-	120	157	34.5	51	34.5	-
SPB212-06	6	212	219	3	3535	90	-	120	169	15.5	89	15.5	-
SPB224-06	6	224	231	3	3535	90	-	120	181	15.5	89	15.5	-
SPB236-06	6	236	243	3	3535	90	-	120	193	15.5	89	15.5	-
SPB250-06	6	250	257	3	3535	90	-	120	207	15.5	89	15.5	-
SPB280-06	6	280	287	6	3535	90	18	120	237	15.5	89	15.5	170
SPB300-06	6	300	307	6	3535	90	18	120	257	15.5	89	15.5	170
SPB315-06	6	315	322	6	3535	90	18	120	272	15.5	89	15.5	170
SPB335-06	6	335	342	6	3535	90	18	120	292	15.5	89	15.5	170
SPB355-06	6	355	362	6	3535	90	18	120	312	15.5	89	15.5	170
SPB400-06	6	400	407	5	3535	90	-	120	357	15.5	89	15.5	170
SPB450-06	6	450	457	5	4040	100	-	120	407	-	102	18	200
SPB500-06	6	500	507	5	4040	100	-	120	457	-	102	18	200
SPB560-06	6	560	567	5	4040	100	-	120	517	-	102	18	200
SPB630-06	6	630	637	5	4040	100	-	120	587	-	102	18	200
SPB710-06	6	710	717	5	4040	100	-	120	664	9	102	9	216
SPB800-06	6	800	807	5	4545	110	-	120	754	3	114	3	225
SPB900-06	6	900	907	5	4545	110	-	120	854	3	114	3	225
SPB1000-06	6	1000	1007	5	4545	110	-	120	954	3	114	3	225
SPB1250-06	6	1250	1257	4	5050	125	-	120	1204	3.5	127	3.5	245

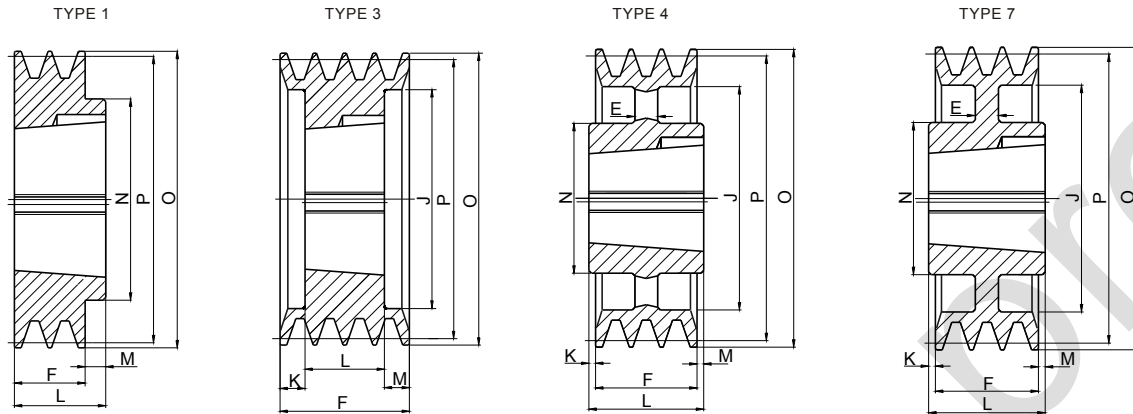


Type	Grooves	P	O	Type	Bush	Max Bore	E	F	J	K	L	M	N
SPB 140-08	8	140	147	3	2517	60	-	158	97	56.5	45	56.5	-
SPB 160-08	8	160	167	3	3020	75	-	158	117	53.5	51	53.5	-
SPB 170-08	8	170	177	3	3030	75	-	158	127	41	76	41	-
SPB 180-08	8	180	187	3	3030	75	-	158	137	41	76	41	-
SPB 190-08	8	190	197	3	3030	75	-	158	147	41	76	41	-
SPB 200-08	8	200	207	3	3535	90	-	158	157	34.5	89	34.5	-
SPB 212-08	8	212	219	3	3535	90	-	158	169	34.5	89	34.5	-
SPB 224-08	8	224	231	3	3535	90	-	158	181	34.5	89	34.5	-
SPB 236-08	8	236	243	3	3535	90	-	158	193	34.5	89	34.5	-
SPB 250-08	8	250	257	3	3535	90	-	158	207	34.5	89	34.5	-
SPB 280-08	8	280	287	3	3535	90	-	158	237	34.5	89	34.5	-
SPB 300-08	8	300	307	6	3535	90	20	158	257	34.5	89	34.5	170
SPB 315-08	8	315	322	6	3535	90	18	158	272	34.5	89	34.5	170
SPB 335-08	8	335	342	6	3535	90	18	158	292	34.5	89	34.5	170
SPB 355-08	8	355	362	6	3535	90	18	158	312	34.5	89	34.5	170
SPB 400-08	8	400	407	5	4040	100	-	158	357	28	102	28	200
SPB 450-08	8	450	457	5	4040	100	-	158	407	28	102	28	200
SPB 500-08	8	500	507	5	4040	100	-	158	457	28	102	28	200
SPB 560-08	8	560	567	5	4545	110	-	158	517	22	114	22	225
SPB 630-08	8	630	637	5	4545	110	-	158	587	22	114	22	225
SPB 710-08	8	710	717	5	4545	110	-	158	664	22	114	22	225
SPB 800-08	8	800	807	5	4545	110	-	158	754	22	114	22	225
SPB 900-08	8	900	907	5	4545	110	-	158	854	22	114	22	225
SPB 1000-08	8	1000	1007	5	5050	125	-	158	954	15.5	127	15.5	245
SPB 1250-08	8	1250	1257	5	5050	125	-	158	1204	15.5	127	15.5	245

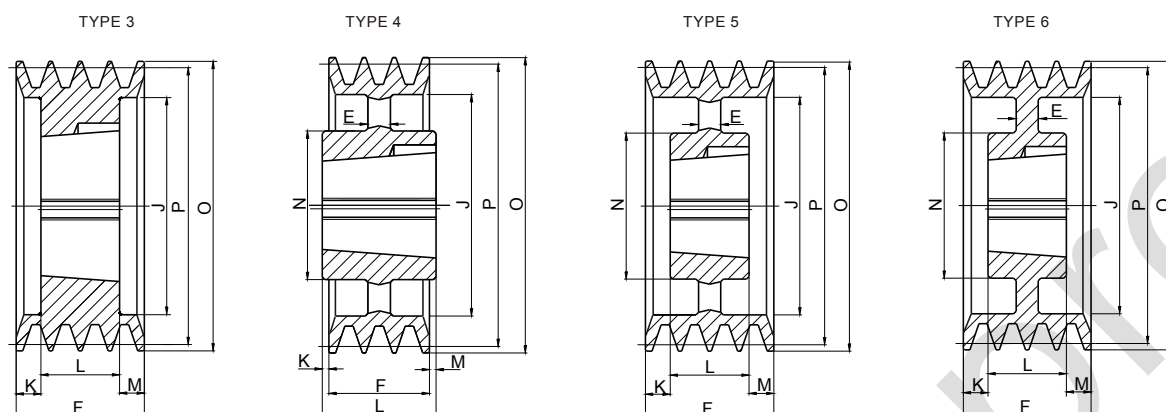


SPB/10

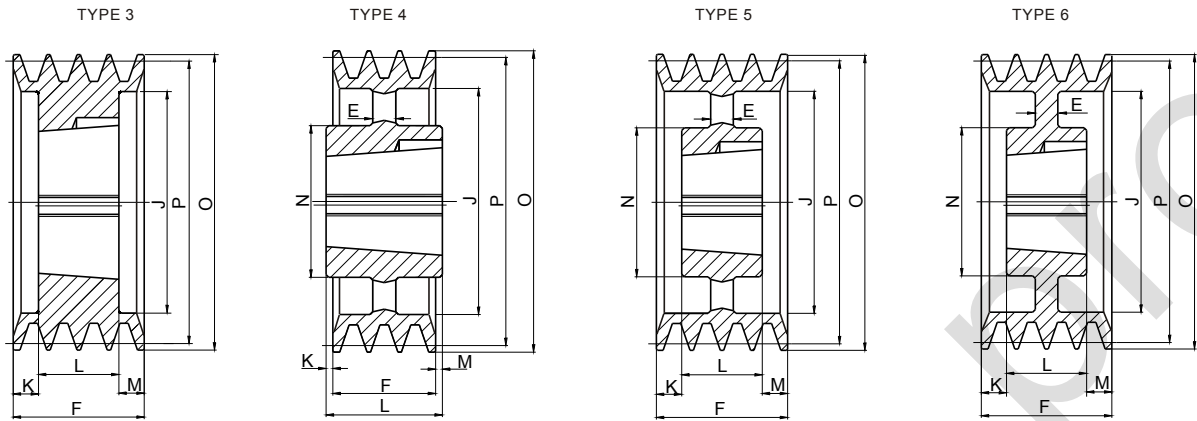
Type	Grooves	P	O	Type	Bush	Max Bore	E	F	J	K	L	M	N
SPB 224-10	10	224	231	3	3535	90	-	196	181	53.5	89	53.5	-
SPB 236-10	10	236	243	3	3535	90	-	196	193	53.5	89	53.5	-
SPB 250-10	10	250	257	3	3535	90	-	196	207	53.5	89	53.5	-
SPB 280-10	10	280	287	3	3535	90	-	196	237	53.5	89	53.5	-
SPB 315-10	10	315	322	6	3535	90	18	196	272	53.5	89	53.5	170
SPB 335-10	10	335	342	6	4040	100	20	196	292	47	102	47	200
SPB 355-10	10	355	362	6	4040	100	20	196	312	47	102	47	200
SPB 400-10	10	400	407	5	4040	100	-	196	357	47	102	47	200
SPB 450-10	10	450	457	5	4545	110	-	196	407	41	114	41	225
SPB 500-10	10	500	507	5	4545	110	-	196	457	41	114	41	225
SPB 560-10	10	560	567	5	4545	110	-	196	517	41	114	41	225
SPB 630-10	10	630	637	5	4545	110	-	196	587	41	114	41	225
SPB 710-10	10	710	717	5	4545	110	-	196	664	41	114	41	225
SPB 800-10	10	800	807	5	4545	110	-	196	754	41	114	41	225
SPB 900-10	10	900	907	5	5050	125	-	196	854	34.5	127	34.5	245
SPB 1000-10	10	1000	1007	5	5050	125	-	196	954	34.5	127	34.5	245



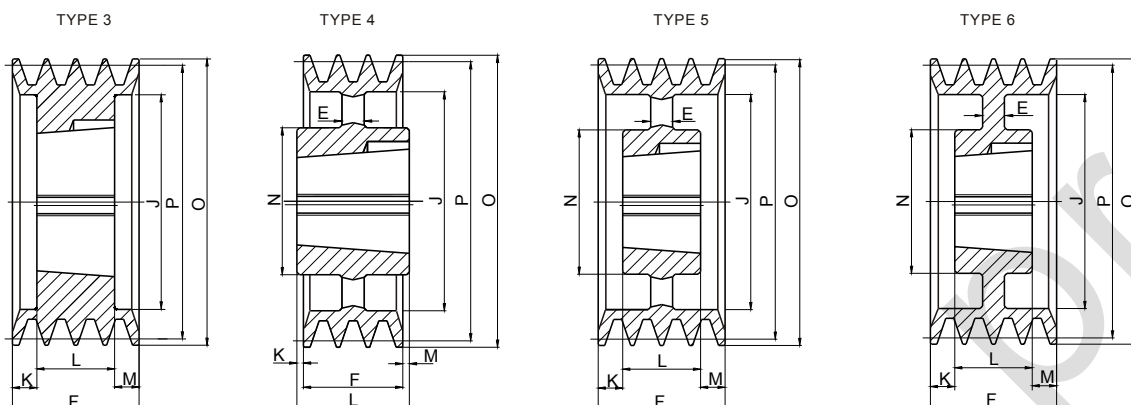
Type	Grooves	P	O	Type	Bush	Max Bore	F	J	K	L	M	N	E
SPC 200-03	3	200	209,6	3	2517	60	85	150	20	45	20	-	-
SPC 212-03	3	212	221,6	3	3020	75	85	162	17	51	17	-	-
SPC 224-03	3	224	233,6	3	3020	75	85	173	17	51	17	-	-
SPC 236-03	3	236	245,6	3	3020	75	85	185	17	51	17	-	-
SPC 250-03	3	250	259,6	3	3020	75	85	200	17	51	17	-	-
SPC 265-03	3	265	274,6	1	3535	90	85	209	-	89	4	170	-
SPC 280-03	3	280	289,6	1	3535	90	85	224	-	89	4	170	-
SPC 300-03	3	300	309,6	7	3535	90	85	249	2	89	2	170	18
SPC 315-03	3	315	324,6	7	3535	90	85	264	2	89	2	170	18
SPC 335-03	3	335	344,6	7	3535	90	85	284	2	89	2	170	18
SPC 355-03	3	355	364,6	7	3535	90	85	304	2	89	2	170	18
SPC 375-03	3	375	384,6	7	3535	90	85	324	2	89	2	170	20
SPC 400-03	3	400	409,6	4	3535	90	85	344	2	89	2	170	-
SPC 425-03	3	425	434,6	4	3535	90	85	369	2	89	2	170	-
SPC 450-03	3	450	459,6	4	3535	90	85	394	2	89	2	170	-
SPC 475-03	3	475	484,6	4	3535	90	85	419	2	89	2	170	-
SPC 500-03	3	500	509,6	4	3535	90	85	444	2	89	2	170	-
SPC 530-03	3	530	539,6	4	3535	90	85	474	2	89	2	170	-
SPC 560-03	3	560	569,6	4	3535	90	85	504	2	89	2	170	-
SPC 630-03	3	630	639,6	4	4040	100	85	574	8,5	102	8,5	200	-
SPC 800-03	3	800	809,6	4	4545	110	85	737	4	114	25	225	-
SPC 1000-03	3	1000	1009,6	4	5050	125	85	937	8	127	34	245	-
SPC 1250-03	3	1250	1259,6	4	5050	125	85	1187	8	127	34	245	-



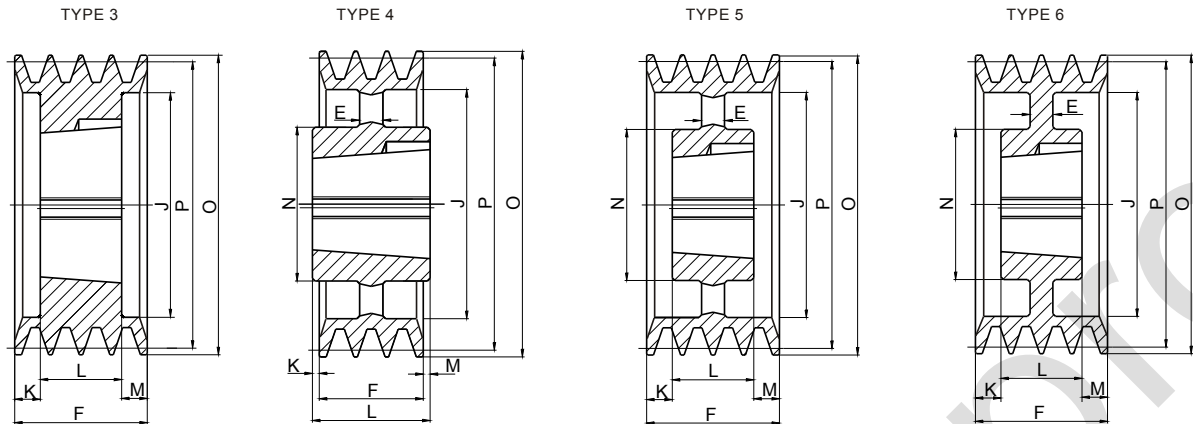
Type	Grooves	P	O	Type	Bush	Max Bore	E	F	J	K	L	M	N
SPC 200-04	4	200	209,6	3	3020	75	-	111	144	30	51	30	-
SPC 212-04	4	212	221,6	3	3020	75	-	111	156	30	51	30	-
SPC 224-04	4	224	233,6	3	3535	90	-	111	168	11	89	11	-
SPC 236-04	4	236	245,6	3	3535	90	-	111	180	11	89	11	-
SPC 250-04	4	250	259,6	3	3535	90	-	111	194	11	89	11	-
SPC 265-04	4	265	274,6	3	3535	90	-	111	209	11	89	11	-
SPC 280-04	4	280	289,6	3	3535	90	-	111	224	11	89	11	-
SPC 300-04	4	300	309,6	6	3535	90	20	111	244	11	89	11	170
SPC 315-04	4	315	324,6	6	3535	90	20	111	259	11	89	11	170
SPC 335-04	4	335	344,6	6	3535	90	20	111	279	11	89	11	170
SPC 355-04	4	355	364,6	6	3535	90	20	111	299	11	89	11	170
SPC 375-04	4	375	384,6	6	3535	90	25	111	319	11	89	11	170
SPC 400-04	4	400	409,6	5	3535	90	-	111	344	11	89	11	170
SPC 425-04	4	425	434,6	5	3535	90	-	111	369	11	89	11	170
SPC 450-04	4	450	459,6	5	3535	90	-	111	394	11	89	11	170
SPC 475-04	4	475	484,6	5	3535	90	-	111	419	11	89	11	170
SPC 500-04	4	500	509,6	5	3535	90	-	111	444	11	89	11	170
SPC 530-04	4	530	539,6	5	3535	100	-	111	474	11	89	11	170
SPC 560-04	4	560	569,6	5	4040	100	-	111	504	4,5	102	4,5	200
SPC 630-04	4	630	639,6	4	4545	110	-	111	574	1,5	114	1,5	225
SPC 710-04	4	710	719,6	4	5050	125	-	111	654	4	127	12	245
SPC 800-04	4	800	809,6	4	5050	125	-	111	737	4	127	12	245
SPC 1000-04	4	1000	1009,6	4	5050	125	-	111	937	1	127	12	245
SPC 1250-04	4	1250	1259,6	4	5050	125	-	111	1187	4	127	12	245



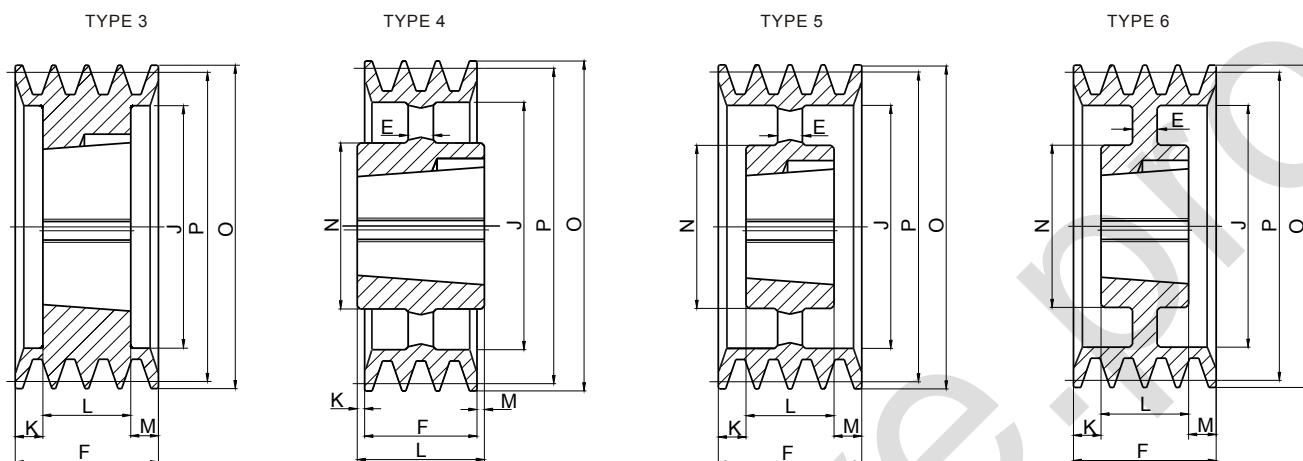
Type	Grooves	P	O	Type	Bush	Max Bore	E	F	J	K	L	M	N
SPC 200-05	5	200	209,6	3	3535	90	-	136	150	23.5	89	23.5	-
SPC 212-05	5	212	221,6	3	3535	90	-	136	160	23.5	89	23.5	-
SPC 224-05	5	224	233,6	3	3535	90	-	136	173	23.5	89	23.5	-
SPC 236-05	5	236	245,6	3	3535	90	-	136	185	23.5	89	23.5	-
SPC 250-05	5	250	259,6	3	3535	90	-	136	198	23.5	89	23.5	-
SPC 265-05	5	265	274,6	3	3535	90	-	136	213	23.5	89	23.5	-
SPC 280-05	5	280	289,6	3	3535	90	-	136	228	23.5	89	23.5	-
SPC 300-05	5	300	309,6	6	3535	90	20	136	247	23.5	89	23.5	170
SPC 315-05	5	315	324,6	6	3535	90	20	136	264	23.5	89	23.5	170
SPC 335-05	5	335	344,6	6	3535	90	20	136	280	23.5	89	23.5	170
SPC 355-05	5	355	364,6	6	3535	90	20	136	304	23.5	89	23.5	170
SPC 375-05	5	375	384,6	6	3535	90	20	136	324	23.5	89	23.5	170
SPC 400-05	5	400	409,6	5	3535	90	-	136	344	23.5	89	23.5	170
SPC 425-05	5	425	434,6	5	4040	90	-	136	369	17	102	17	200
SPC 450-05	5	450	459,6	5	4040	100	-	136	394	17	102	17	200
SPC 475-05	5	475	484,6	5	4040	100	-	136	419	17	102	17	200
SPC 500-05	5	500	509,6	5	4040	100	-	136	444	17	102	17	200
SPC 530-05	5	530	539,6	5	4040	100	-	136	474	17	102	17	200
SPC 560-05	5	560	569,6	5	4545	110	-	136	504	11	114	11	225
SPC 630-05	5	630	639,6	5	5050	125	-	136	574	4.5	127	4.5	245
SPC 710-05	5	710	719,6	5	5050	125	-	136	654	4.5	127	4.5	245
SPC 800-05	5	800	809,6	5	5050	125	-	136	737	4.5	127	4.5	245
SPC 1000-05	5	1000	1009,6	5	5050	125	-	136	937	4.5	127	4.5	245
SPC 1250-05	5	1250	1259,6	5	5050	125	-	136	1187	4.5	127	4.5	245



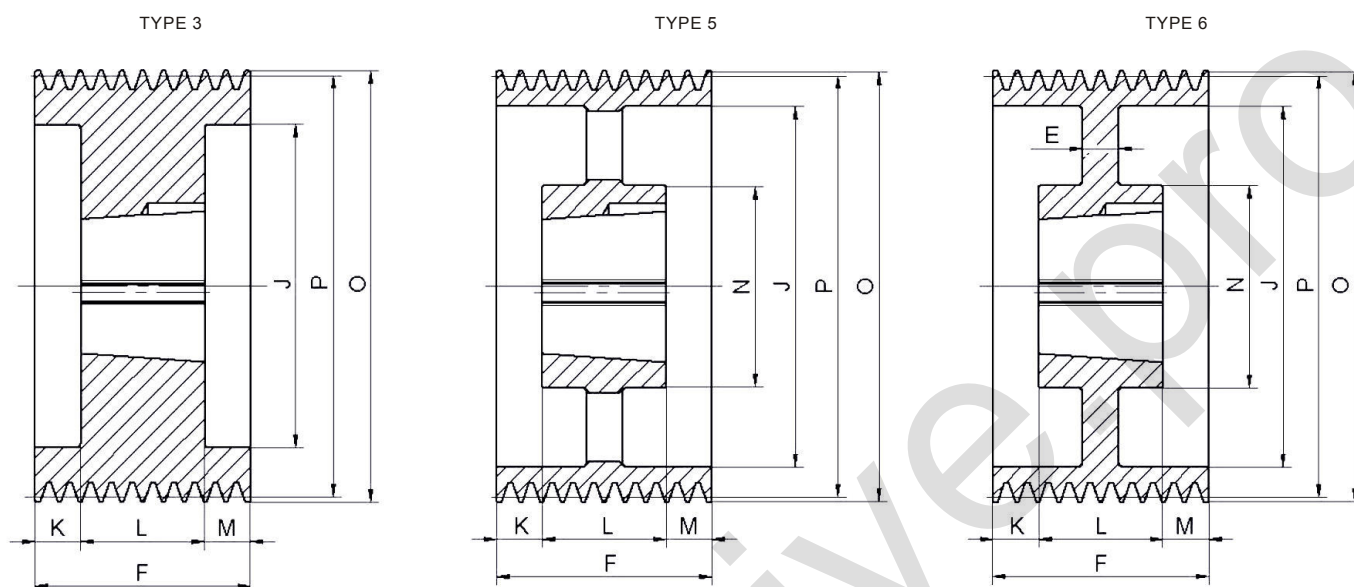
Type	Grooves	P	O	Type	Bush	Max Bore	E	F	J	K	L	M	N
SPC 200-06	6	200	209.6	3	3535	90	-	162	148	36.5	89	36.5	-
SPC 212-06	6	212	221.6	3	3535	90	-	162	160	36.5	89	36.5	-
SPC 224-06	6	224	233.6	3	3535	90	-	162	173	36.5	89	36.5	-
SPC 236-06	6	236	245.6	3	3535	90	-	162	185	36.5	89	36.5	-
SPC 250-06	6	250	259.6	3	3535	90	-	162	198	36.5	89	36.5	-
SPC 265-06	6	265	274.6	3	3535	90	-	162	213	36.5	89	36.5	-
SPC 280-06	6	280	289.6	3	3535	90	-	162	228	36.5	89	36.5	-
SPC 300-06	6	300	309.6	6	3535	90	20	162	247	36.5	89	36.5	170
SPC 315-06	6	315	324.6	6	3535	90	20	162	264	36.5	89	36.5	170
SPC 335-06	6	335	344.6	6	3535	90	20	162	280	36.5	89	36.5	170
SPC 355-06	6	355	364.6	6	3535	90	20	162	304	36.5	89	36.5	170
SPC 375-06	6	375	384.6	6	4040	100	20	162	324	30	102	30	200
SPC 400-06	6	400	409.6	6	4040	100	20	162	348	30	102	30	200
SPC 425-06	6	425	434.6	6	4040/4545	100/110	30	162	369	24	114	24	225
SPC 450-06	6	450	459.6	6	4545	110	30	162	394	24	114	24	225
SPC 475-06	6	475	484.6	6	4545	110	30	162	419	24	114	24	225
SPC 500-06	6	500	509.6	5	4545	110	30	162	444	24	114	24	225
SPC 530-06	6	530	539.6	5	4545	110	30	162	474	24	114	24	225
SPC 560-06	6	560	569.6	5	5050	125	-	162	504	17.5	127	17.5	245
SPC 630-06	6	630	639.6	5	5050	125	-	162	574	17.5	127	17.5	245
SPC 710-06	6	710	719.6	5	5050	125	-	162	656	17.5	127	17.5	245
SPC 800-06	6	800	809.6	5	5050	125	-	162	737	17.5	127	17.5	245
SPC 1000-06	6	1000	1009.6	5	5050	125	-	162	937	17.5	127	17.5	245
SPC 1250-06	6	1250	1259.6	5	5050	125	-	162	1187	17.5	127	17.5	245



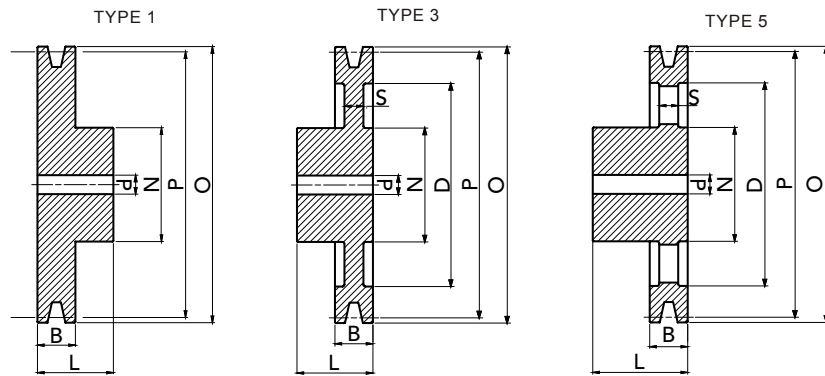
Type	Grooves	P	O	Type	Bush	Max Bore	E	F	J	K	L	M	N
SPC 200-08	8	200	209,6	3	3535	90	-	213	148	62	89	62	-
SPC 212-08	8	212	221,6	3	3535	90	-	213	160	62	89	62	-
SPC 224-08	8	224	233,6	3	3535	90	-	213	170	62	89	62	-
SPC 236-08	8	236	245,6	3	3535	90	-	213	184	62	89	62	-
SPC 250-08	8	250	259,6	3	3535	90	-	213	198	62	89	62	-
SPC 265-08	8	265	274,6	3	3535	90	-	213	213	62	89	62	-
SPC 280-08	8	280	289,6	3	3535	90	-	213	228	62	89	62	-
SPC 300-08	8	300	309,6	3	4040	100	-	213	247	55,5	102	55,5	-
SPC 315-08	8	315	324,6	3	4040	100	-	213	258	55,5	102	55,5	-
SPC 335-08	8	335	344,6	6	4040	100	-	213	280	55,5	102	55,5	-
SPC 355-08	8	355	364,6	3	4040	100	-	213	304	55,5	102	55,5	-
SPC 375-08	8	375	384,6	3	4545	110	-	213	324	49,5	114	49,5	-
SPC 400-08	8	400	409,6	6	4545	110	20	213	348	49,5	114	49,5	220
SPC 425-08	8	425	434,6	6	5050	110	30	213	369	43	127	49,5	245
SPC 450-08	8	450	459,6	6	5050	125	30	213	394	43	127	43	245
SPC 475-08	8	475	484,6	6	5050	125	30	213	419	43	127	43	245
SPC 500-08	8	500	509,6	6	5050	125	30	213	444	43	127	43	245
SPC 530-08	8	530	539,6	6	5050	125	30	213	474	43	127	43	245
SPC 560-08	8	560	569,6	5	5050	125	-	213	504	43	127	43	245
SPC 630-08	8	630	639,6	5	5050	125	-	213	574	43	127	43	245
SPC 710-08	8	710	719,6	5	5050	125	-	213	656	43	127	43	245
SPC 800-08	8	800	809,6	5	5050	125	-	213	737	43	127	43	245
SPC 1000-08	8	1000	1009,6	5	5050	125	-	213	937	43	127	43	245
SPC 1250-08	8	1250	1259,6	5	5050	125	-	213	1187	43	127	43	245



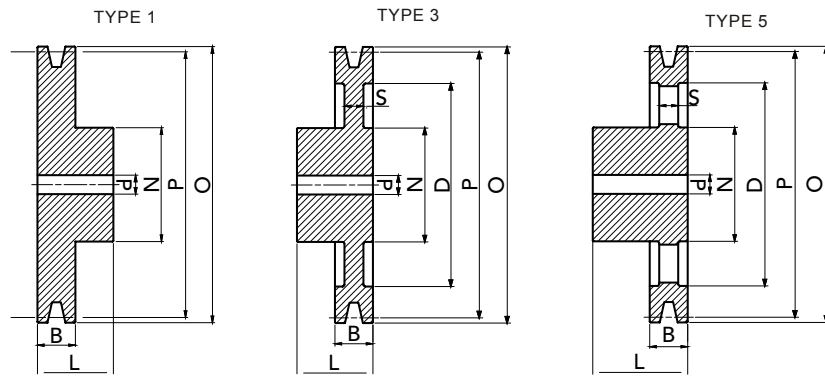
Type	Grooves	P	O	Type	Bush	Max Bore	E	F	J	K	L	M	N
SPC 250-10	10	250	259.6	3	4040	100	-	264	196	81	102	84	-
SPC 280-10	10	280	289.6	3	4040	100	-	264	226	81	102	81	-
SPC 300-10	10	300	309.6	3	4545	110	-	264	245	75	114	75	-
SPC 315-10	10	315	324.6	3	4545	110	-	264	258	75	114	75	-
SPC 355-10	10	355	364.6	3	4545	110	-	264	299	75	114	75	-
SPC 400-10	10	400	409.6	3	5050	125	-	264	342	68.5	127	68.5	-
SPC 450-10	10	450	459.6	6	5050	125	40	264	394	68.5	127	68.5	245
SPC 500-10	10	500	509.6	6	5050	125	40	264	444	68.5	127	68.5	245
SPC 560-10	10	560	569.6	5	5050	125	-	264	504	68.5	127	68.5	245
SPC 630-10	10	630	639.6	5	5050	125	-	264	574	68.5	127	68.5	245
SPC 710-10	10	710	719.6	5	5050	125	-	264	656	68.5	127	68.5	245
SPC 800-10	10	800	809.6	5	5050	125	-	264	737	68.5	127	68.5	245
SPC 1000-10	10	1000	1009.6	5	5050	125	-	264	937	68.5	127	68.5	245
SPC 1250-10	10	1250	1259.6	5	5050	125	-	264	1187	68.5	127	68.5	245



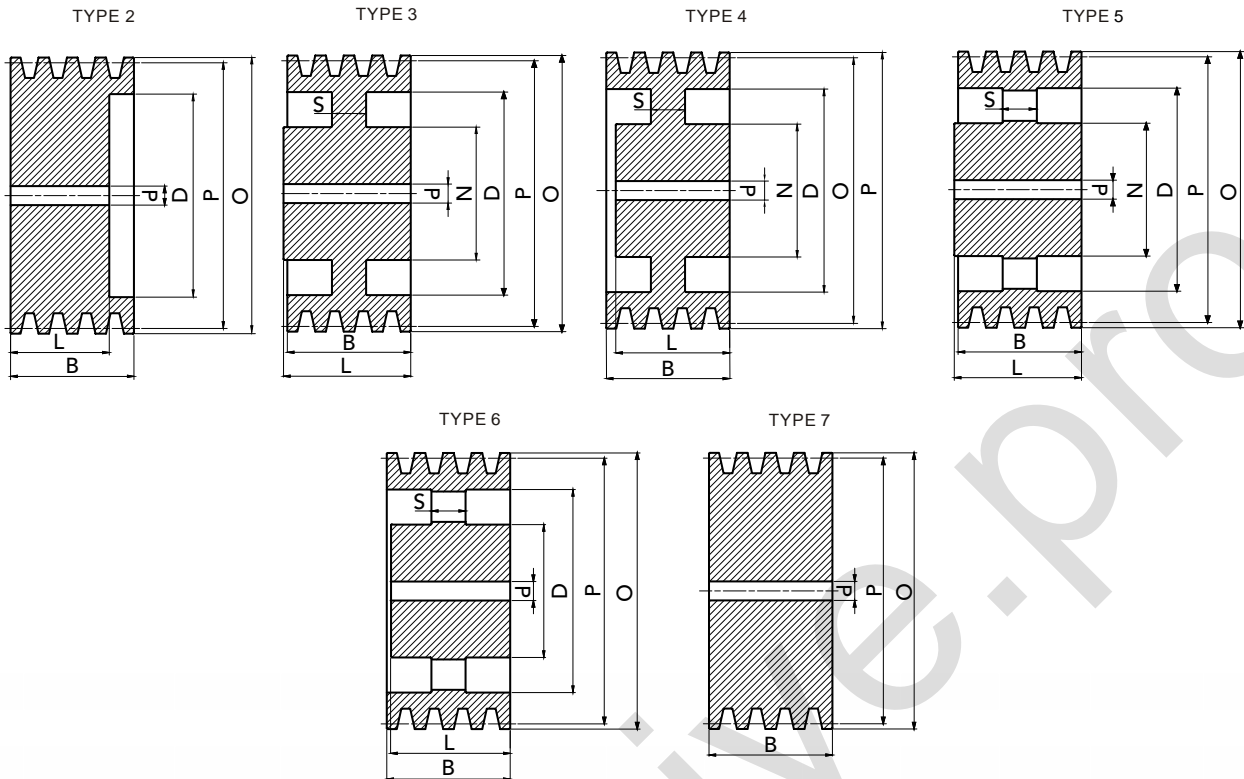
Type	Grooves	P	O	TYPE	BUSH	Max Bore	E	F	J	K	L	M	N
SPC265-12	12	265	274.6	3	4545	110	-	315	209	100.5	114	100.5	-
SPC280-12	12	280	289.6	3	4545	110	-	315	224	100.5	114	100.5	-
SPC300-12	12	300	309.6	3	4545	110	-	315	244	100.5	114	100.5	-
SPC315-12	12	315	324.6	3	5050	125	-	315	259	94	127	94	-
SPC325-12	12	325	334.6	3	5050	125	-	315	269	94	127	94	-
SPC335-12	12	335	344.6	3	5050	125	-	315	279	94	127	94	-
SPC355-12	12	355	364.6	6	5050	125	50	315	299	94	127	94	267
SPC375-12	12	375	384.6	6	5050	125	50	315	319	94	127	94	267
SPC400-12	12	400	409.6	6	5050	125	50	315	344	94	127	94	267
SPC450-12	12	450	459.6	6	5050	125	50	315	394	94	127	94	267
SPC475-12	12	475	484.6	6	5050	125	50	315	419	94	127	94	267
SPC500-12	12	500	509.6	6	5050	125	45	315	444	94	127	94	267
SPC600-12	12	600	609.6	5	5050	125	45	315	544	94	127	94	267
SPC630-12	12	630	639.6	5	5050	125	45	315	574	94	127	94	267
SPC710-12	12	710	719.6	5	5050	125	45	315	654	94	127	94	267
SPC800-12	12	800	809.6	5	5050	125	45	315	737	94	127	94	267
SPC1000-12	12	1000	1009.6	5	5050	125	50	315	937	94	127	94	267
SPC1250-12	12	1250	1259.6	5	5050	125	45	315	1187	94	127	94	267
SPC1400-12	12	1400	1409.6	5	7060	175	50	315	1337	81.5	152	81.5	500



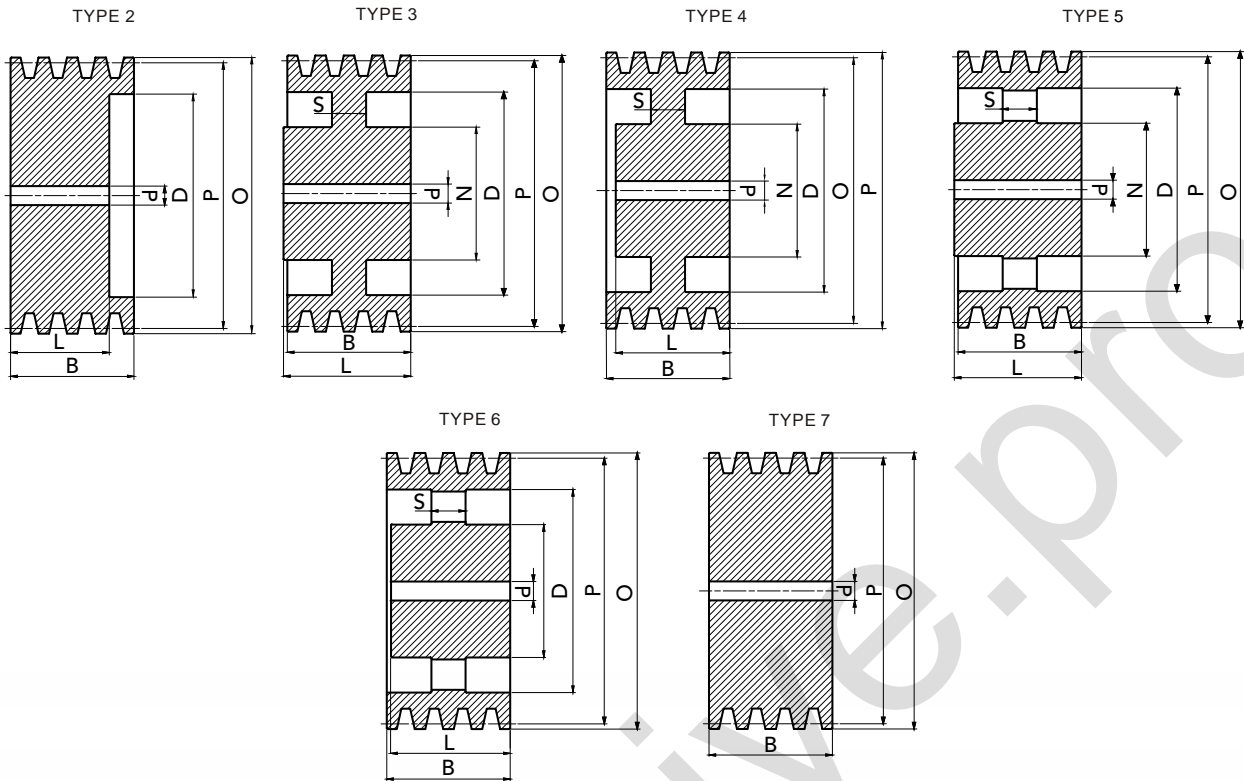
Type	P	O	GROOVES	N	L	D	S	B	Type	d (H9)
SPA 40-1	40	45,5	1	40	35	-	-	20	1	10
SPA 50-1	50	55,5	1	40	35	-	-	20	1	10
SPA 55-1	55	60,5	1	40	35	-	-	20	1	10
SPA 60-1	60	65,5	1	40	35	-	-	20	1	10
SPA 63-1	63	68,5	1	40	35	-	-	20	1	10
SPA 65-1	65	70,5	1	40	40	-	-	20	1	10
SPA 70-1	70	75,5	1	40	40	-	-	20	1	10
SPA 75-1	75	80,5	1	40	40	-	-	20	1	10
SPA 80-1	80	85,5	1	45	40	-	-	20	1	10
SPA 85-1	85	90,5	1	45	40	-	-	20	1	10
SPA 90-1	90	95,5	1	45	40	-	-	20	1	10
SPA 95-1	95	100,5	1	45	40	-	-	20	1	10
SPA 100-1	100	105,5	1	48	40	-	-	20	1	10
SPA 105-1	105	110,5	1	48	40	-	-	20	1	10
SPA 112-1	112	117,5	1	48	40	-	-	20	1	10
SPA 120-1	120	125,5	1	60	40	-	-	20	1	15
SPA 125-1	125	130,5	1	60	40	-	-	20	1	15
SPA 130-1	130	135,5	1	60	40	-	-	20	1	15
SPA 140-1	140	145,5	1	60	40	107	10	20	3	15
SPA 150-1	150	155,5	1	60	40	117	10	20	3	15
SPA 160-1	160	165,5	1	60	40	127	10	20	3	15
SPA 170-1	170	175,5	1	60	40	137	10	20	3	15
SPA 180-1	180	185,5	1	65	40	147	10	20	3	20
SPA 200-1	200	205,5	1	65	45	167	10	20	3	20
SPA 225-1	225	230,5	1	65	45	193	10	20	3	20
SPA 250-1	250	255,5	1	75	50	217	12	20	3	20
SPA 280-1	280	285,5	1	75	50	247	14	20	5	20
SPA 300-1	300	305,5	1	75	50	267	14	20	5	20
SPA 355-1	355	360,5	1	75	50	322	14	20	5	20
SPA 400-1	400	405,5	1	90	50	367	14	20	5	20
SPA 450-1	450	455,5	1	90	50	417	14	20	5	20
SPA 500-1	500	505,5	1	90	50	467	14	20	5	20
SPA 560-1	560	565,5	1	100	50	527	15	20	5	25
SPA 600-1	600	605,5	1	100	50	567	16	20	5	25



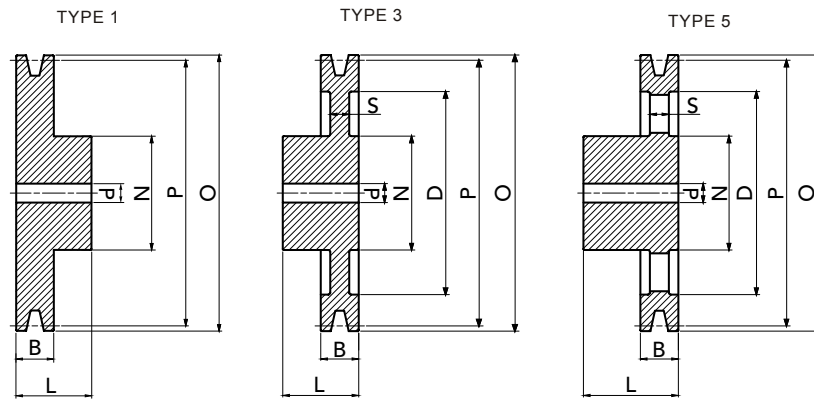
Type	P	O	GROOVES	N	L	D	S	B	Type	d (H9)
SPA50-2	50	55,5	2	40	45	-	-	35	1	10
SPA55-2	55	60,5	2	40	45	-	-	35	1	10
SPA60-2	60	65,5	2	40	45	-	-	35	1	10
SPA63-2	63	68,5	2	40	45	-	-	35	1	10
SPA65-2	65	70,5	2	40	45	-	-	35	1	10
SPA70-2	70	75,5	2	50	45	-	-	35	1	10
SPA75-2	75	80,5	2	50	45	-	-	35	1	10
SPA80-2	80	85,5	2	50	45	-	-	35	1	10
SPA85-2	85	90,5	2	50	45	-	-	35	1	10
SPA90-2	90	95,5	2	60	45	-	-	35	1	15
SPA95-2	95	100,5	2	60	45	-	-	35	1	15
SPA100-2	100	105,5	2	60	45	-	-	35	1	15
SPA105-2	105	110,5	2	60	45	-	-	35	1	15
SPA112-2	112	117,5	2	60	45	-	-	35	1	15
SPA120-2	120	125,5	2	60	45	-	-	35	1	15
SPA125-2	125	130,5	2	60	45	-	-	35	1	15
SPA130-2	130	135,5	2	60	45	-	-	35	1	15
SPA140-2	140	145,5	2	60	45	107	10	35	3	15
SPA150-2	150	155,5	2	60	45	117	10	35	3	15
SPA160-2	160	165,5	2	60	45	127	10	35	3	15
SPA170-2	170	175,5	2	60	45	137	10	35	3	20
SPA180-2	180	185,5	2	70	50	147	12	35	3	20
SPA190-2	190	195,5	2	70	50	157	12	35	3	20
SPA200-2	200	205,5	2	70	50	167	12	35	3	20
SPA225-2	225	230,5	2	70	50	193	12	35	3	20
SPA250-2	250	255,5	2	75	50	217	12	35	3	20
SPA280-2	280	285,5	2	80	50	247	14	35	5	20
SPA300-2	300	305,5	2	80	50	267	14	35	5	20
SPA315-2	315	320,5	2	80	50	282	14	35	5	20
SPA355-2	355	360,5	2	80	50	322	14	35	5	20
SPA400-2	400	405,5	2	90	50	367	14	35	5	20
SPA450-2	450	455,5	2	100	50	417	14	35	5	25
SPA500-2	500	505,5	2	100	50	467	16	35	5	25
SPA560-2	560	565,5	2	100	50	527	18	35	5	25
SPA630-2	630	635,5	2	110	50	597	18	35	5	25



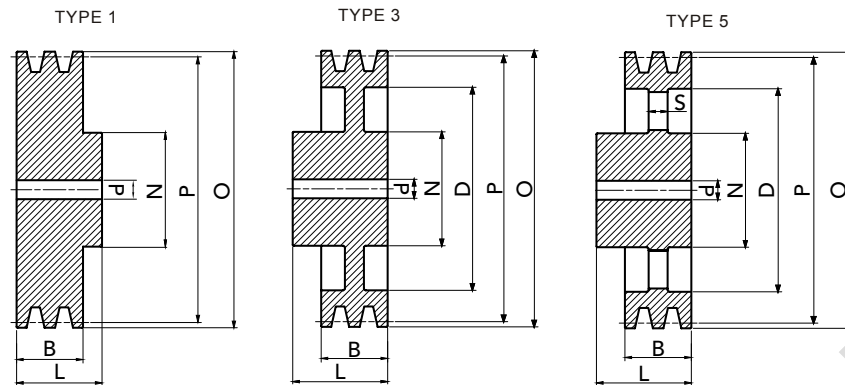
Type	P	O	GROOVES	N	L	D	S	B	Type	d (H9)
SPA70-4	70	75,5	4	-	-	-	-	65	7	10
SPA75-4	75	80,5	4	-	-	-	-	65	7	10
SPA80-4	80	85,5	4	-	-	-	-	65	7	15
SPA85-4	85	90,5	4	-	-	-	-	65	7	15
SPA90-4	90	95,5	4	-	-	-	-	65	7	15
SPA95-4	95	100,5	4	-	-	-	-	65	7	15
SPA100-4	100	105,5	4	-	52	67	-	65	2	15
SPA105-4	105	110,5	4	-	52	72	-	65	2	15
SPA112-4	112	117,5	4	-	52	79	-	65	2	15
SPA120-4	120	125,5	4	-	52	87	-	65	2	15
SPA125-4	125	130,5	4	-	52	97	-	65	2	15
SPA130-4	130	135,5	4	-	52	97	-	65	2	15
SPA140-4	140	145,5	4	-	52	107	-	65	2	20
SPA150-4	150	155,5	4	-	52	117	-	65	2	20
SPA160-4	160	165,5	4	70	52	127	18	65	4	20
SPA170-4	170	175,5	4	80	52	137	18	65	4	20
SPA180-4	180	185,5	4	80	60	147	18	65	4	20
SPA200-4	200	205,5	4	80	60	167	18	65	4	20
SPA225-4	225	230,5	4	90	60	192	18	65	4	20
SPA250-4	250	255,5	4	90	65	217	18	65	3	20
SPA280-4	280	285,5	3	90	65	247	16	65	5	20
SPA300-4	300	305,5	4	90	65	267	16	65	5	20
SPA355-4	355	360,5	4	90	65	322	16	65	5	25
SPA400-4	400	405,5	4	100	65	367	20	65	5	25
SPA450-4	450	455,5	4	105	65	417	20	65	6	25
SPA500-4	500	505,5	4	105	65	467	20	65	6	25
SPA560-4	560	565,5	4	120	65	527	22	65	5	25
SPA630-4	630	635,5	4	120	65	597	22	65	5	25



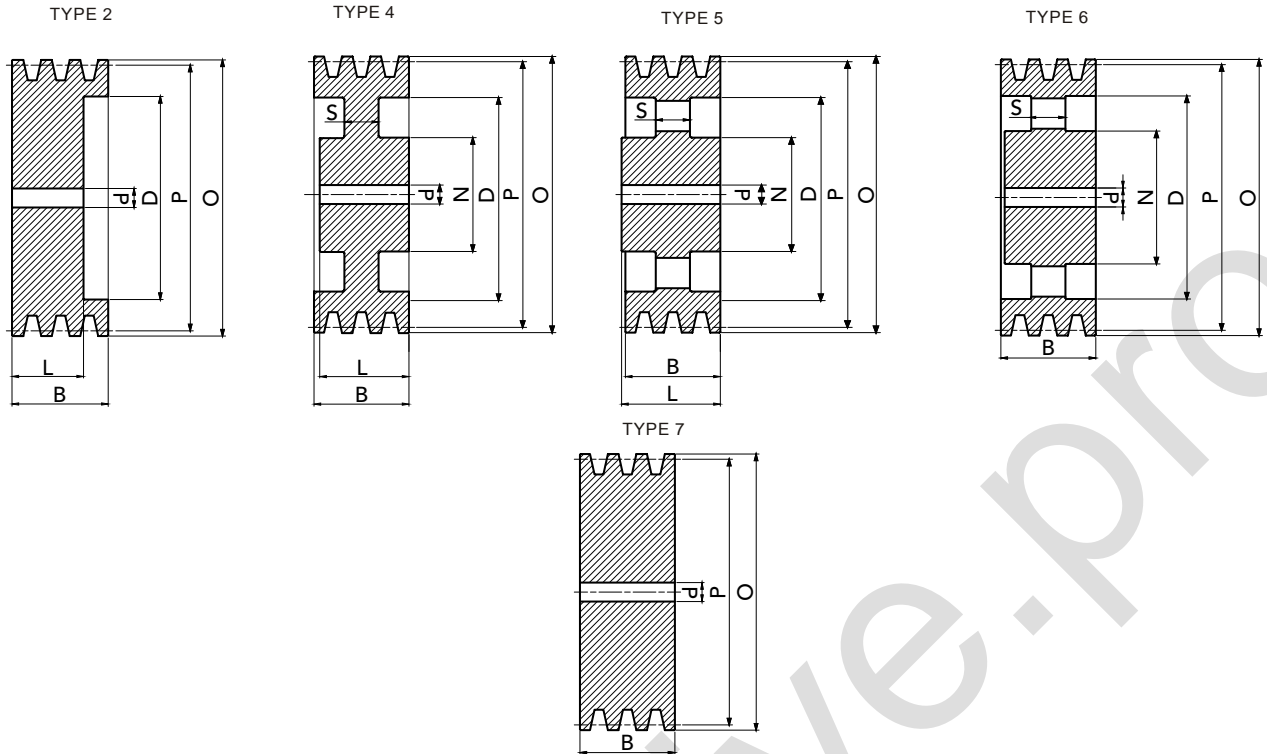
Type	P	O	GROOVES	N	L	D	S	B	Type	d (H9)
SPA70-5	70	75,5	5	-	-	-	-	80	7	10
SPA75-5	75	80,5	5	-	-	-	-	80	7	10
SPA80-5	80	85,5	5	-	-	-	-	80	7	15
SPA85-5	85	90,5	5	-	-	-	-	80	7	15
SPA90-5	90	95,5	5	-	-	-	-	80	7	15
SPA95-5	95	100,5	5	-	-	-	-	80	7	15
SPA100-5	100	105,5	5	-	52	67	-	80	2	15
SPA105-5	105	110,5	5	-	52	72	-	80	2	15
SPA112-5	112	117,5	5	-	52	79	-	80	2	15
SPA120-5	120	125,5	5	-	52	87	-	80	2	15
SPA130-5	130	135,5	5	-	52	97	-	80	2	15
SPA140-5	140	145,5	5	-	52	107	-	80	2	20
SPA150-5	150	155,5	5	-	52	117	-	80	2	20
SPA160-5	160	165,5	5	80	52	127	22	80	4	20
SPA170-5	170	175,5	5	80	52	137	18	80	4	20
SPA180-5	180	185,5	5	80	65	147	22	80	4	20
SPA200-5	200	205,5	5	80	65	167	20	80	4	20
SPA225-5	225	230,5	5	90	65	192	20	80	4	20
SPA250-5	250	255,5	5	90	65	217	20	80	4	20
SPA280-5	280	285,5	5	100	65	247	18	80	6	25
SPA300-5	300	305,5	5	100	65	267	18	80	6	25
SPA355-5	355	360,5	5	100	65	322	18	80	6	25
SPA400-5	400	405,5	5	100	65	367	22	80	6	25
SPA450-5	450	455,5	5	105	65	417	22	80	6	25
SPA500-5	500	505,5	5	110	65	467	22	80	6	25
SPA560-5	560	565,5	5	120	80	527	24	80	5	25
SPA600-5	600	605,5	5	120	80	567	26	80	5	25
SPA630-5	630	635,5	5	120	80	597	24	80	5	25



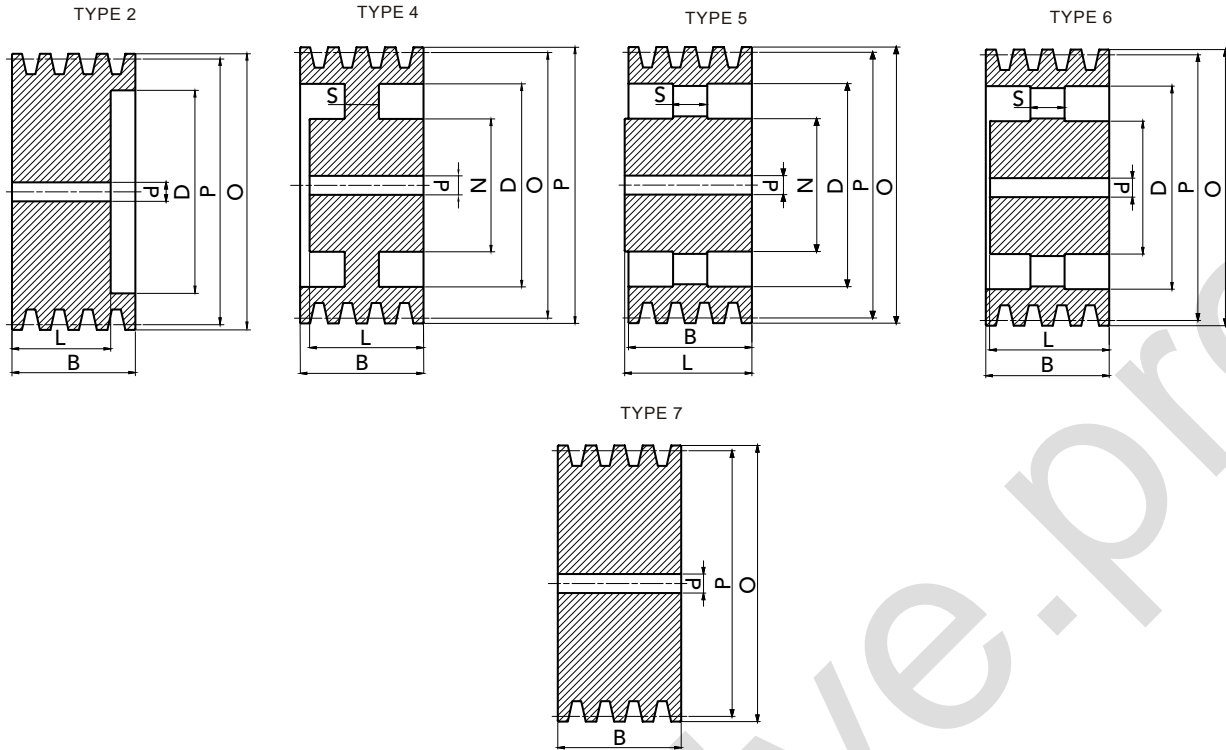
Type	P	O	GROOVES	N	L	D	S	B	Type	d (H9)
SPB70-1	70	77	1	45	45	-	-	25	1	10
SPB80-1	80	87	1	50	45	-	-	25	1	10
SPB90-1	90	97	1	50	45	-	-	25	1	10
SPB100-1	100	107	1	52	45	-	-	25	1	10
SPB112-1	112	119	1	55	45	-	-	25	1	15
SPB120-1	120	127	1	55	45	-	-	25	1	15
SPB125-1	125	132	1	58	45	-	-	25	1	15
SPB130-1	130	137	1	60	45	-	-	25	1	15
SPB140-1	140	147	1	65	45	-	-	25	1	20
SPB150-1	150	157	1	65	45	-	-	25	1	20
SPB160-1	160	167	1	65	45	118	12	25	3	20
SPB170-1	170	177	1	65	45	128	12	25	3	20
SPB180-1	180	187	1	65	45	138	12	25	3	20
SPB200-1	200	207	1	70	45	158	14	25	3	20
SPB212-1	212	219	1	70	45	170	14	25	3	20
SPB225-1	225	232	1	70	45	184	14	25	3	20
SPB250-1	250	257	1	70	50	208	14	25	3	20
SPB280-1	280	287	1	76	50	238	14	25	3	20
SPB300-1	300	307	1	76	50	258	15	25	5	20
SPB315-1	315	322	1	76	50	273	15	25	5	20
SPB340-1	340	347	1	80	50	298	15	25	5	20
SPB355-1	355	362	1	80	50	313	15	25	5	20
SPB380-1	380	387	1	85	55	338	18	25	5	20
SPB400-1	400	407	1	85	55	358	18	25	5	20
SPB450-1	450	457	1	90	60	408	18	25	5	20
SPB500-1	500	507	1	100	60	458	18	25	5	25
SPB560-1	560	567	1	100	60	518	18	25	5	25
SPB600-1	600	607	1	100	60	558	18	25	5	25
SPB630-1	630	637	1	100	60	588	18	25	5	25



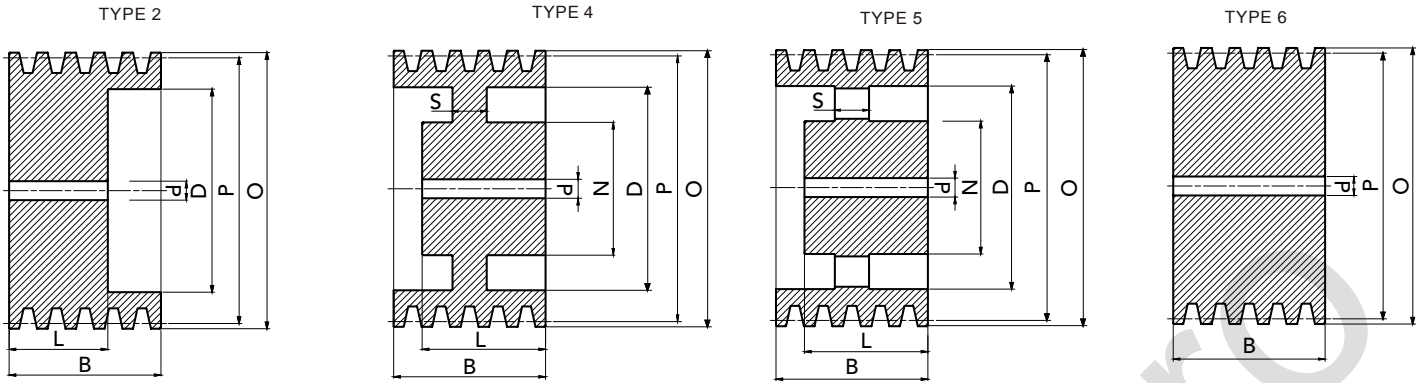
Type	P	O	GROOVES	N	L	D	S	B	Type	d (H9)
SPB70-2	70	77	2	45	55	-	-	44	1	10
SPB80-2	80	87	2	50	55	-	-	44	1	10
SPB90-2	90	97	2	50	55	-	-	44	1	10
SPB100-2	100	107	2	55	55	-	-	44	1	15
SPB112-2	112	119	2	60	55	-	-	44	1	15
SPB120-2	120	127	2	60	55	-	-	44	1	15
SPB125-2	125	132	2	60	55	-	-	44	1	15
SPB130-2	130	137	2	60	55	-	-	44	1	15
SPB140-2	140	147	2	65	55	-	-	44	1	20
SPB150-2	150	157	2	65	55	-	-	44	1	20
SPB160-2	160	167	2	70	55	118	12	44	3	20
SPB170-2	170	177	2	70	55	128	12	44	3	20
SPB180-2	180	187	2	70	55	138	12	44	3	20
SPB200-2	200	207	2	70	55	158	12	44	3	20
SPB212-2	212	219	2	77	55	170	14	44	3	20
SPB225-2	225	232	2	77	55	184	14	44	3	20
SPB250-2	250	257	2	77	55	208	14	44	3	20
SPB280-2	280	287	2	80	55	238	14	44	3	20
SPB300-2	300	307	2	80	55	258	15	44	5	20
SPB315-2	315	322	2	88	60	273	15	44	5	20
SPB340-2	340	347	2	88	60	298	15	44	5	20
SPB355-2	355	362	2	88	60	313	15	44	5	20
SPB380-2	380	387	2	88	60	338	15	44	5	20
SPB400-2	400	407	2	88	60	358	18	44	5	20
SPB450-2	450	457	2	90	60	408	18	44	5	20
SPB500-2	500	507	2	100	65	458	20	44	5	25
SPB560-2	560	567	2	100	65	518	20	44	5	25
SPB630-2	630	637	2	100	65	588	20	44	5	25



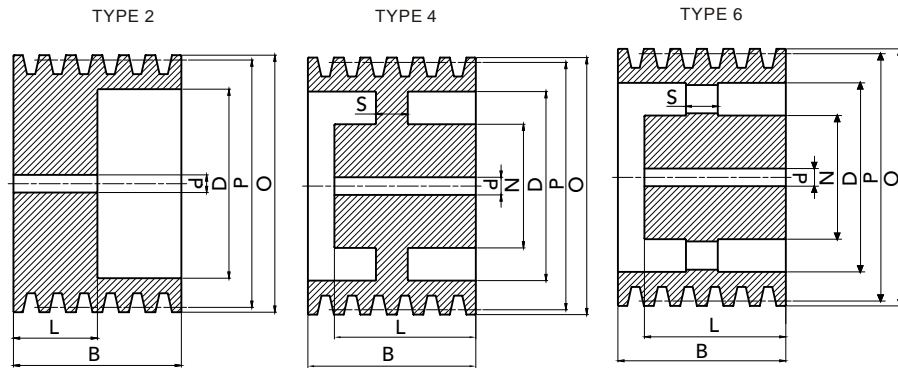
Type	P	O	GROOVES	N	L	D	S	B	Type	d (H9)
SPB60-3	60	67	3	-	-	-	-	63	7	15
SPB70-3	70	77	3	-	-	-	-	63	7	15
SPB80-3	80	87	3	-	-	-	-	63	7	15
SPB90-3	90	97	3	-	-	-	-	63	7	15
SPB100-3	100	107	3	-	-	-	-	63	7	15
SPB112-3	112	119	3	-	-	-	-	63	7	15
SPB120-3	120	127	3	-	-	-	-	63	7	15
SPB125-3	125	132	3	-	60	83	-	63	2	15
SPB130-3	130	137	3	-	60	86	-	63	2	15
SPB140-3	140	147	3	-	60	98	-	63	2	20
SPB150-3	150	157	3	-	60	108	-	63	2	20
SPB160-3	160	167	3	-	60	118	-	63	2	20
SPB170-3	170	177	3	70	60	128	30	63	4	20
SPB180-3	180	187	3	80	60	138	18	63	4	20
SPB200-3	200	207	3	80	60	158	18	63	4	20
SPB212-3	212	219	3	80	60	170	18	63	4	20
SPB225-3	225	232	3	80	60	184	18	63	4	20
SPB250-3	250	257	3	80	60	208	18	63	4	20
SPB280-3	280	287	3	90	60	238	18	63	4	20
SPB300-3	300	307	3	90	60	258	18	63	6	20
SPB315-3	315	322	3	90	60	273	18	63	6	20
SPB340-3	340	347	3	92	60	298	18	63	6	25
SPB355-3	355	362	3	92	60	313	18	63	6	25
SPB380-3	380	387	3	96	65	338	22	63	6	25
SPB400-3	400	407	3	96	65	358	22	63	5	25
SPB425-3	425	432	3	96	65	383	22	63	5	20
SPB450-3	450	457	3	96	65	408	22	63	5	25
SPB500-3	500	507	3	104	75	458	24	63	5	25
SPB560-3	560	567	3	104	75	518	24	63	5	25
SPB600-3	600	607	3	104	75	558	24	63	5	25
SPB630-3	637	637	3	105	75	588	26	63	5	25



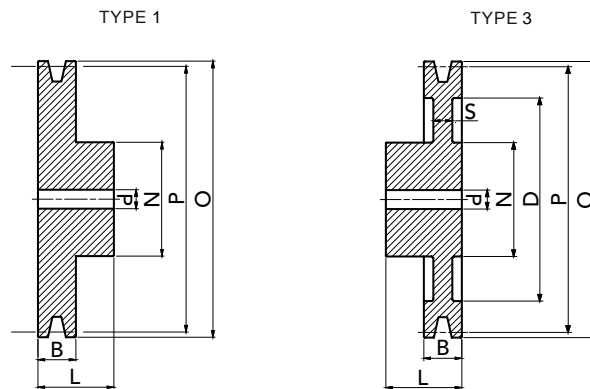
Type	P	O	GROOVES	N	L	D	S	B	Type	d (H9)
SPB70-4	70	77	4	-	-	-	-	82	7	15
SPB80-4	80	87	4	-	-	-	-	82	7	15
SPB90-4	90	97	4	-	-	-	-	82	7	15
SPB100-4	100	107	4	-	-	-	-	82	7	15
SPB112-4	112	119	4	-	-	-	-	82	7	20
SPB120-4	120	127	4	-	-	-	-	82	7	20
SPB125-4	125	132	4	-	60	83	-	82	2	20
SPB130-4	130	137	4	-	60	88	-	82	2	20
SPB140-4	140	147	4	-	60	98	-	82	2	20
SPB150-4	150	157	4	-	60	108	-	82	2	20
SPB160-4	160	167	4	-	60	118	-	82	2	20
SPB170-4	170	177	4	70	60	128	30	82	4	20
SPB180-4	180	187	4	80	60	138	30	82	4	20
SPB200-4	200	207	4	88	60	158	25	82	4	20
SPB212-4	212	219	4	88	60	170	25	82	4	20
SPB224-4	224	231	4	88	60	183	25	82	4	20
SPB225-4	225	232	4	88	60	184	25	82	4	20
SPB236-4	236	243	4	88	60	194	25	82	4	20
SPB250-4	250	257	4	96	65	208	25	82	4	25
SPB280-4	280	287	4	96	65	238	25	82	4	25
SPB300-4	300	307	4	96	65	258	20	82	6	25
SPB315-4	315	322	4	96	65	273	20	82	6	25
SPB340-4	340	347	4	96	65	298	20	82	6	25
SPB355-4	355	362	4	96	65	313	20	82	6	25
SPB380-4	380	387	4	104	75	338	24	82	6	25
SPB400-4	400	407	4	104	75	358	24	82	6	25
SPB425-4	425	432	4	104	75	383	24	82	6	25
SPB450-4	450	457	4	104	75	408	24	82	6	25
SPB500-4	500	507	4	112	85	458	28	82	5	25
SPB560-4	560	567	4	112	85	518	28	82	5	25
SPB600-4	600	607	4	115	85	558	28	82	5	25
SPB630-4	630	637	4	120	85	588	28	82	5	25



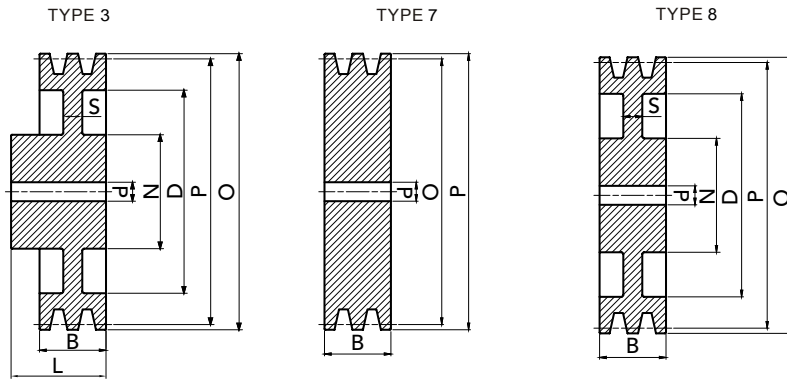
Type	P	O	GROOVES	N	L	D	S	B	Type	d (H9)
SPB70-5	70	77	5	-	-	-	-	101	7	15
SPB80-5	80	87	5	-	-	-	-	101	7	15
SPB90-5	90	97	5	-	-	-	-	101	7	15
SPB100-5	100	107	5	-	-	-	-	101	7	15
SPB112-5	112	119	5	-	-	-	-	101	7	20
SPB120-5	120	127	5	-	-	-	-	101	7	20
SPB125-5	125	132	5	-	60	83	-	101	2	20
SPB130-5	130	137	5	-	60	88	-	101	2	20
SPB140-5	140	147	5	-	60	98	-	101	2	20
SPB150-5	150	157	5	-	60	108	-	101	2	20
SPB160-5	160	167	5	-	60	118	-	101	2	20
SPB170-5	170	177	5	70	60	128	30	101	4	20
SPB180-5	180	187	5	80	70	138	30	101	4	20
SPB200-5	200	207	5	96	70	158	30	101	4	25
SPB212-5	212	219	5	96	70	170	30	101	4	25
SPB225-5	225	232	5	96	70	183	25	101	4	25
SPB250-5	250	257	5	104	75	208	25	101	4	25
SPB280-5	280	287	5	104	75	238	25	101	4	25
SPB300-5	300	307	5	104	75	258	22	101	6	25
SPB315-5	315	322	5	104	75	273	22	101	6	25
SPB340-5	340	347	5	104	75	298	22	101	6	25
SPB355-5	355	362	5	104	75	313	22	101	6	25
SPB380-5	380	387	5	112	85	338	24	101	6	25
SPB400-5	400	407	5	112	85	358	26	101	6	25
SPB425-5	425	432	5	112	85	383	26	101	6	25
SPB450-5	450	457	5	112	85	408	26	101	6	25
SPB500-5	500	507	5	120	90	458	30	101	6	25
SPB560-5	560	567	5	120	90	518	30	101	6	25
SPB600-5	600	607	5	120	90	558	30	101	6	25
SPB630-5	630	637	5	128	90	588	30	101	6	25



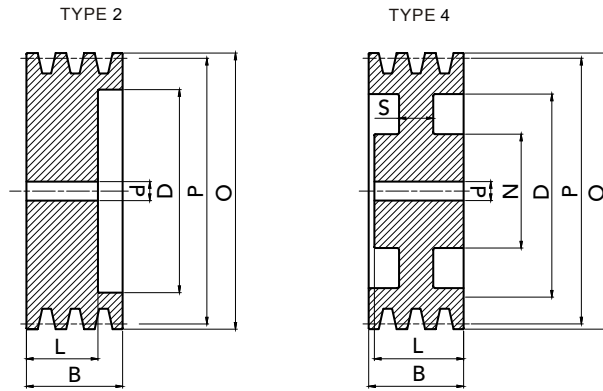
Type	P	O	GROOVES	N	L	D	S	B	Type	d (H9)
SPB140-6	140	147	6	-	60	98	-	120	2	20
SPB150-6	150	157	6	-	60	108	-	120	2	20
SPB160-6	160	167	6	-	65	118	-	120	2	20
SPB170-6	170	177	6	70	65	128	40	120	4	20
SPB180-6	180	187	6	80	70	138	40	120	4	20
SPB200-6	200	207	6	96	70	158	40	120	4	25
SPB212-6	212	219	6	104	80	170	35	120	4	25
SPB225-6	225	232	6	104	80	183	30	120	4	25
SPB250-6	250	257	6	104	80	208	25	120	4	25
SPB280-6	280	287	6	104	80	238	25	120	4	25
SPB300-6	300	307	6	104	80	258	24	120	6	25
SPB315-6	315	322	6	120	90	273	24	120	6	25
SPB340-6	340	347	6	120	90	298	24	120	6	25
SPB355-6	355	362	6	120	90	313	24	120	6	25
SPB380-6	380	387	6	120	100	338	28	120	6	25
SPB400-6	400	407	6	120	100	358	28	120	6	25
SPB425-6	425	432	6	120	100	383	28	120	6	25
SPB450-6	450	457	6	120	100	408	28	120	6	25
SPB500-6	500	507	6	128	105	458	33	120	6	25
SPB560-6	560	567	6	128	105	518	33	120	6	25
SPB600-6	600	607	6	129	105	558	33	120	6	25



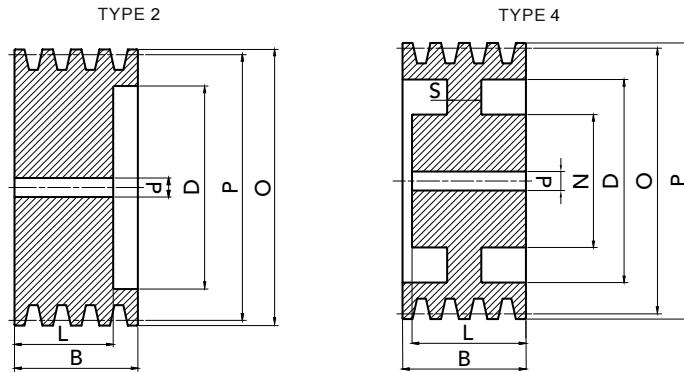
Type	P	O	GROOVES	N	L	D	S	B	Type	d (H9)
SPC120-1	120	129,6	1	65	50	-	-	34	1	15
SPC140-1	140	149,6	1	70	50	-	-	34	1	20
SPC150-1	150	159,6	1	70	50	-	-	34	1	20
SPC160-1	160	169,6	1	72	50	-	-	34	1	20
SPC180-1	180	189,6	1	76	50	123	16	34	3	20
SPC200-1	200	209,6	1	76	50	143	16	34	3	20
SPC225-1	225	234,6	1	86	50	168	16	34	3	20
SPC250-1	250	259,6	1	86	50	193	16	34	3	20
SPC280-1	280	289,6	1	86	50	223	16	34	3	20
SPC300-1	300	309,6	1	86	50	243	16	34	3	20



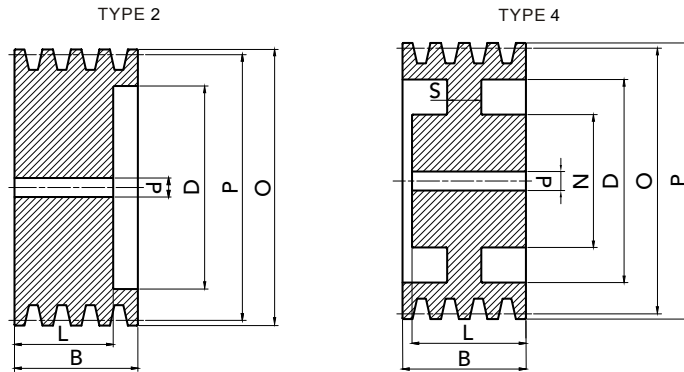
Type	P	O	GROOVES	N	L	D	S	B	Type	d (H9)
SPC120-2	120	129,6	2	-	-	-	-	59,5	7	15
SPC140-2	140	149,6	2	-	-	-	-	59,5	7	20
SPC150-2	150	159,6	2	-	-	-	-	59,5	7	20
SPC160-2	160	169,6	2	-	-	-	-	59,5	7	20
SPC180-2	180	189,6	2	80	-	123	30	59,5	8	20
SPC200-2	200	209,6	2	80	60	143	20	59,5	3	20
SPC225-2	225	234,6	2	88	60	169	18	59,5	3	20
SPC250-2	250	259,6	2	92	60	193	18	59,5	3	20
SPC280-2	280	289,6	2	92	60	223	18	59,5	3	20
SPC300-2	300	309,6	2	92	60	243	18	59,5	3	20



Type	P	O	GROOVES	N	L	D	S	B	Type	d (H9)
SPC140-3	140	149,6	3	-	65	83	-	85	2	20
SPC150-3	150	159,6	3	-	65	93	-	85	2	20
SPC160-3	160	169,6	3	-	65	103	-	85	2	20
SPC180-3	180	189,6	3	82	65	123	35	85	4	20
SPC200-3	200	209,6	3	86	65	143	25	85	4	20
SPC225-3	225	234,6	3	90	70	169	21	85	4	20
SPC250-3	250	259,6	3	92	70	193	21	85	4	20
SPC280-3	280	289,6	3	92	70	223	21	85	4	20
SPC300-3	300	309,6	3	92	70	243	21	85	4	20

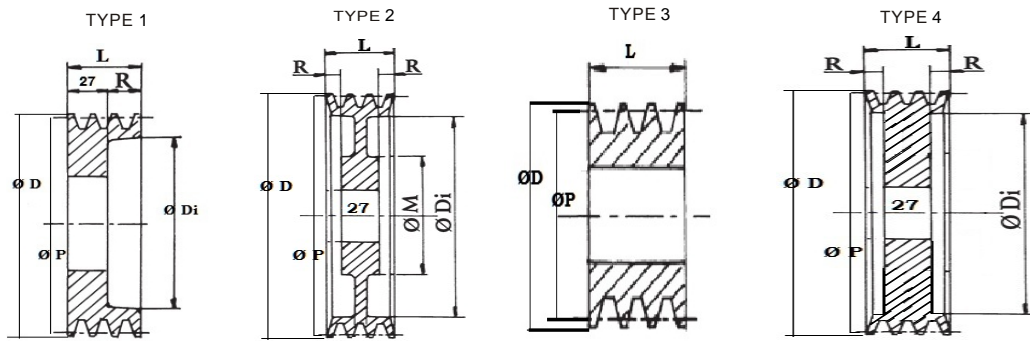


Type	P	O	GROOVES	N	L	D	S	B	Type	d (H9)
SPC140-4	140	149,6	4	-	80	83	-	110,5	2	20
SPC150-4	150	159,6	4	-	80	93	-	110,5	2	20
SPC160-4	160	169,6	4	-	80	103	-	110,5	2	20
SPC180-4	180	189,6	4	82	80	123	60	110,5	4	20
SPC200-4	200	209,6	4	90	90	143	60	110,5	4	20
SPC225-4	225	234,6	4	90	90	169	50	110,5	4	25
SPC250-4	250	259,6	4	100	90	193	30	110,5	4	25
SPC280-4	280	289,6	4	100	90	223	25	110,5	4	25
SPC300-4	300	309,6	4	100	90	243	25	110,5	4	25



Type	P	O	GROOVES	N	L	D	S	B	Type	d (H9)
SPC150-5	150	159,6	5	-	96	93	-	136	2	20
SPC160-5	160	169,6	5	-	96	103	-	136	2	20
SPC180-5	180	189,6	5	82	96	123	75	136	4	20
SPC200-5	200	209,6	5	90	100	143	80	136	4	25
SPC225-5	225	234,6	5	90	100	169	60	136	4	25
SPC250-5	250	259,6	5	102	100	193	50	136	4	25
SPC280-5	280	289,6	5	102	100	223	40	136	4	25
SPC300-5	300	309,6	5	104	100	243	25	136	4	25

V-PULLEYS FOR LOCKING DEVICE



SPA/1

Type	Type	Lock bore	ØP	ØD	Di	Dm	L	R
SPA 125-1	3	65	125	130.5	65	/	20	/
SPA 160-1	3	55	160	165.5	55	/	20	/
SPA 180-1	2	55	180	185.5	146	100	20	0

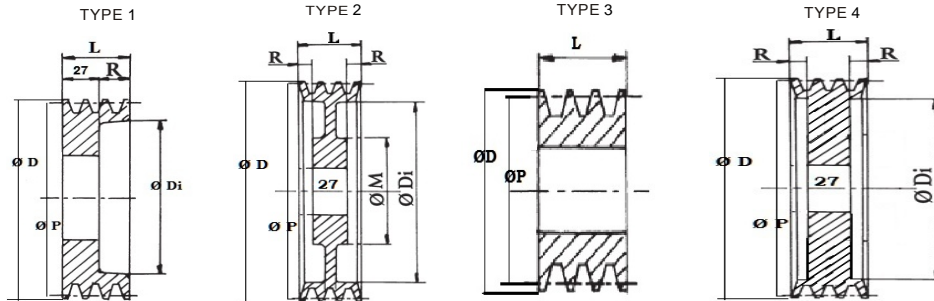
SPA/2

Type	Type	Lock bore	ØP	ØD	Di	Dm	L	R
SPA 90-2	1	55	90	95.5	63	/	35	7,5
SPA 112-2	1	55	112	117,5	77	/	35	8
SPA 112-2	1	65	112	117.6	78	/	35	8
SPA 118-2	4	55	118	123.5	83	/	35	7
SPA 125-2	1	65	125	130,5	91	/	35	8
SPA 125-2	3	47	125	130.5	47	/	35	/
SPA 140-2	1	65	140	145.5	106	/	35	8
SPA 150-2	1	65	150	155,5	116	/	35	8
SPA 150-2	1	47	150	155.5	116	/	36	8
SPA 160-2	1	65	160	165.5	126	/	35	8
SPA 170-2	4	65	170	175.5	136	/	35	4
SPA 170-2	4	55	170	175,5	136	/	35	4
SPA 180-2	2	50	180	185.5	145	110	35	4
SPA 200-2	2	65	200	205.5	167	120	35	4

SPA/3

Type	Type	Lock bore	ØP	ØD	Di	Dm	L	R
SPA 90-3	1	55	90	95.5	65	/	50	22
SPA 100-3	1	55	100	106	65	/	50	23
SPA 100-3	3	65	100	105.5	65	/	50	0
SPA 112-3	4	65	112	117.5	72	/	50	11,5
SPA 118-3	4	65	118	123.5	84	/	50	11,5
SPA 125-3	1	65	125	130.5	96	/	50	23
SPA 130-3	1	65	132	135.5	96	/	50	23
SPA 140-3	4	65	140	145.5	106	/	50	11,5
SPA 150-3	1	65	150	155.5	116	/	50	23
SPA 160-3	2	65	160	165.5	125	110	50	11,5
SPA 170-3	4	55	170	175.5	136	110	50	11,5
SPA 170-3	1	65	170	175.5	137	/	50	11
SPA 180-3	2	50	180	185.4	145	110	50	11,5
SPA 180-3	4	80	180	185,5	147	/	50	11,5
SPA 180-3	2	80	180	185,5	145	110	50	11,5
SPA 200-3	2	65	200	205.5	165	120	50	11,5

V-PULLEYS FOR LOCKING DEVICE



SPA/4

Type	Type	Lock bore	ØP	ØD	Di	Dm	L	R
SPA 100-4	3	65	100	105.5	65	/	65	/
SPA 112-4	4	65	112	117.5	78	/	65	19
SPA 118-4	4	65	118	123.5	82	/	65	19
SPA 125-4	1	65	125	130.5	91	/	65	37
SPA 150-4	1	65	150	155.5	115	/	65	38
SPA 160-4	4	65	160	165.5	126	/	65	19
SPA 200-4	2	65	200	205.5	166	120	65	18,5

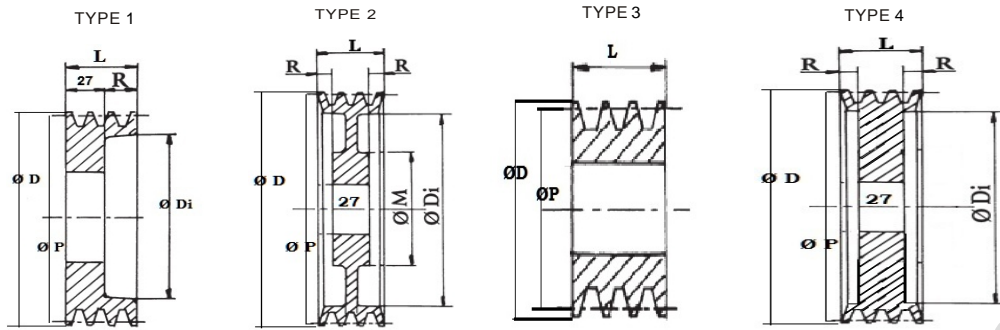
SPB/2

Type	Type	Lock bore	ØP	ØD	Di	Dm	L	R
SPB 125-2	1	65	125	132	82	/	44	17
SPB 130-2	4	80	130	137	85	/	44	8,5
SPB 140-2	1	80	140	147	97	/	44	17
SPB 140-2	1	65	140	147	100	/	44	17
SPB 150-2	1	80	150	157	106,5	/	44	17
SPB 160-2	1	80	160	167	117,5	/	44	17
SPB 180-2	2	80	180	187	136,5	120	44	8,5
SPB 190-2	2	80	190	197	148	120	44	8,5
SPB 200-2	2	80	200	207	156	120	44	8,5
SPB 212-2	2	80	212	219	168	120	44	9
SPB 225-2	2	80	225	232	183	120	44	9
SPB 250-2	2 R	80	250	257	208	120	44	9
SPB 280-2	2R	80	280	287	238	120	44	9

SPB/3

Type	Type	Lock bore	ØP	ØD	Di	Dm	L	R
SPB 120-3	1	65	120	127	77	/	63	36
SPB 125-3	1	80	125	132	85	/	63	36
SPB 130-3	1	65	130	137	86,5	/	63	36
SPB 130-3	1	80	130	137	87	/	63	36
SPB 140-3	1	80	140	147	98	/	63	36
SPB 150-3	1	80	150	157	107	/	63	34
SPB 160-3	4	80	160	167	116	/	63	18
SPB 170-3	4	80	170	177	128	/	63	18
SPB 170-3	1	65	170	177	126,5	/	63	36
SPB 180-3	2	80	180	187	137	120	63	18
SPB 180-3	1	80	180	187	137	/	63	36
SPB 190-3	1	80	190	197	148	120	63	36
SPB 190-3	2	80	190	197	147	120	63	18
SPB 200-3	2	65	200	207	158	120	63	18
SPB 200-3	2	80	200	207	156,5	120	63	18
SPB 212-3	2	65	212	219	169	120	63	18
SPB 212-3	2	80	212	219	169	120	63	18
SPB 225-3	1	80	225	232	183	/	63	36
SPB 225-3	2	65	225	232	182	120	63	18
SPB 225-3	2	80	225	232	182	120	63	18
SPB 250-3	2	80	250	257	208	120	63	18
SPB 280-3	2 R	80	280	287	238	120	63	18
SPB 335-3	2 R	80	335	342	288	130	63	18

V-PULLEYS FOR LOCKING DEVICE



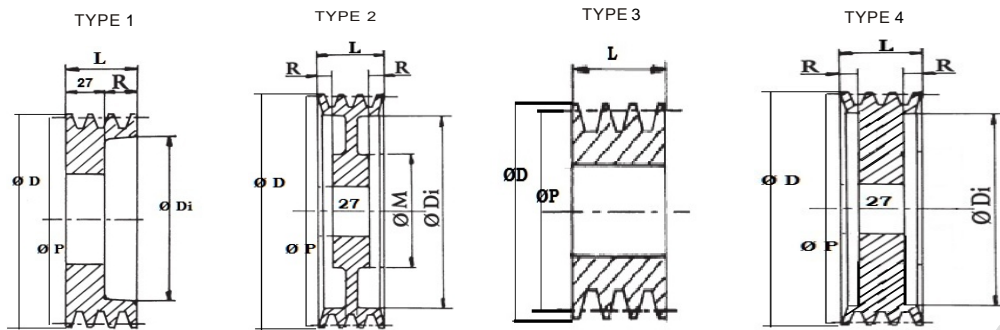
SPB/4

Type	Type	Lock bore	ØP	ØD	Di	Dm	L	R
SPB 125-4	1	80	125	132	83	/	82	55
SPB 130-4	1	80	130	137	87	/	82	55
SPB 130-4	1	65	130	137	89	/	82	55
SPB 140-4	1	80	140	147	97	/	82	55
SPB 140-4	4	80	140	147	97	/	82	55
SPB 150-4	1	80	150	157	106	/	82	55
SPB 160-4	1	80	160	167	117	/	82	55
SPB 160-4	4	80	160	167	116,5	/	82	27,5
SPB 170-4	1	65	170	177	127	/	82	55
SPB 170-4	4	80	170	177	127	/	82	27,5
SPB 180-4	2	65	180	187	138	120	82	55
SPB 190-4	2	80	190	197	147	120	82	27,5
SPB 190-4	1	80	190	197	147	/	82	27
SPB 200-4	2	80	200	207	157	120	82	27,5
SPB 212-4	1	80	212	219	168,5	/	82	55
SPB 212-4	2	80	212	219	168	120	82	28
SPB 225-4	2	65	225	232	184	120	82	27,5
SPB 225-4	1	80	225	232	181	/	82	55
SPB 225-4	2	80	225	232	182	120	82	27,5
SPB 250-4	2	80	250	257	206	120	82	27,5
SPB 280-4	2	80	280	287	236	120	82	28
SPB 335-4	2 R	80	335	342	291	130	82	28

SPB/5

Type	Type	Lock bore	ØP	ØD	Di	Dm	L	R
SPB 140-5	1	80	140	147	97	/	101	74
SPB 150-5	1	80	150	157	107	/	101	74
SPB 160-5	1	80	160	167	117	/	101	74
SPB 160-5	4	80	160	167	117	/	101	37
SPB 180-5	1	80	180	187	137	/	101	74
SPB 180-5	2	80	180	187	138	115	101	37
SPB 190-5	2	80	190	197	147	120	101	37
SPB 200-5	1	80	200	207	157	/	101	74
SPB 200-5	2	80	200	207	159	120	101	37
SPB 212-5	1	80	212	219	169	/	101	74
SPB 212-5	2	80	212	219	169	120	101	37
SPB 225-5	2	80	225	232	181	120	101	37
SPB 225-5	1	80	225	232	181	/	101	74
SPB 250-5	2	80	250	257	207	130	101	37
SPB 280-5	2 R	80	280	287	238	130	101	37
SPB 315-5	2 R	80	315	322	273	130	101	37

V-PULLEYS FOR LOCKING DEVICE



SPB/6

Type	Type	Lock bore	ØP	ØD	Di	Dm	L	R
SPB 140-6	1	80	140	147	97	/	120	93
SPB 160-6	4	80	160	167	116	/	120	46,5
SPB 160-6	1	80	160	167	118	/	120	93
SPB 180-6	2	80	180	187	137	120	120	46,5
SPB 200-6	2	80	200	207	158	120	120	46,5
SPB 200-6	1	80	200	207	156,5	/	120	93
SPB 212-6	2	80	212	219	168	120	120	46,5
SPB 225-6	2	80	225	232	182	120	120	47
SPB 250-6	2	80	250	257	207	130	120	47
SPB 280-6	2	80	280	287	236	130	120	47