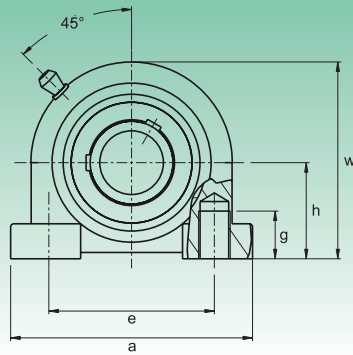
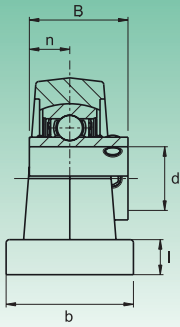


SUPPORTI RITTI SENZA PIEDI - TAP BASE BEARING UNITS



UCPA2 Serie normale - Standard duty



Tipo Type	Dimensioni - Dimensions										Bull. fiss. Bolt Size	Coefficients di carico (N) Load ratings (N)		Cuscinetto Bearing	Supporto Housing	Peso Weight
	d	h	a	e	b	g	l	w	B	n		Dinamico C Dynamic C	Statico C <sub>0</sub> Static C <sub>0</sub>			
	mm/inch											mm/inch				
<b>UCPA201</b>	<b>12</b>	30,2	76	52	40	15	11	62	31	12,7	M10	12160	6318	<b>UC201</b>	<b>PA204</b>	0,60
UCPA201-8	1/2	13/16	3	23/64	19/16	19/32	7/16	27/16	1,2205	0,500	3/8			UC201-8		0,59
<b>UCPA202</b>	<b>15</b>	30,2	76	52	40	15	11	62	31	12,7	M10	12160	6318	<b>UC202</b>	<b>PA204</b>	0,59
UCPA202-9	9/16													UC202-9		0,59
UCPA202-10	5/8	13/16	3	23/64	19/16	19/32	7/16	27/16	1,2205	0,500	3/8			UC202-10		0,59
<b>UCPA203</b>	<b>17</b>	30,2	76	52	40	15	11	62	31	12,7	M10	12160	6318	<b>UC203</b>	<b>PA204</b>	0,58
UCPA203-11	11/16	13/16	3	23/64	19/16	19/32	7/16	27/16	1,2205	0,500	3/8			UC203-11		0,57
<b>UCPA204</b>	<b>20</b>	30,2	76	52	40	15	11	62	31	12,7	M10	12160	6318	<b>UC204</b>	<b>PA204</b>	0,56
UCPA204-12	3/4	13/16	3	23/64	19/16	19/32	7/16	27/16	1,2205	0,500	3/8			UC204-12		0,56
<b>UCPA205</b>	<b>25</b>	36,5	84	56	38	15	12	72	34,1	14,3	M10			<b>UC205</b>		0,83
UCPA205-13	13/16													UC205-13		0,87
UCPA205-14	7/8													UC205-14	<b>PA205</b>	0,86
UCPA205-15	15/16	17/16	35/16	213/64	1 1/2	19/32	15/32	253/64	1,3425	0,563	3/8	13300	7457	UC205-15		0,84
UCPA205-16	1													UC205-16		0,83
<b>UCPA206</b>	<b>30</b>	42,9	94	66	50	18	12	84	38,1	15,9	M14			<b>UC206</b>		1,12
UCPA206-17	11/16													UC206-17		1,15
UCPA206-18	11/8													UC206-18	<b>PA206</b>	1,14
UCPA206-19	13/16	111/16	345/64	219/32	131/32	45/64	15/32	35/16	1,5000	0,626	1/2	18525	10735	UC206-19		1,12
UCPA206-20	1 1/4													UC206-20		1,11
<b>UCPA207</b>	<b>35</b>	47,6	110	80	55	20	13	95	42,9	17,5	M14			<b>UC207</b>		1,48
UCPA207-20	1 1/4													UC207-20		1,54
UCPA207-21	15/16													UC207-21	<b>PA207</b>	1,51
UCPA207-22	13/8	17/8	421/64	35/32	211/64	25/32	33/64	347/64	1,6890	0,689	1/2	24415	14630	UC207-22		1,48
UCPA207-23	17/16													UC207-23		1,45
<b>UCPA208</b>	<b>40</b>	49,2	116	84	58	20	13	100	49,2	19	M14			<b>UC208</b>		1,89
UCPA208-24	1 1/2													UC208-24	<b>PA208</b>	1,93
UCPA208-25	19/16	115/16	49/16	35/16	29/32	25/32	33/64	315/16	1,9370	0,748	1/2	27645	16910	UC208-25		1,90
<b>UCPA209</b>	<b>45</b>	54,2	120	90	60	25	13	108	49,2	19	M14			<b>UC209</b>		1,98
UCPA209-26	15/8													UC209-26	<b>PA209</b>	2,08
UCPA209-27	111/16	29/64	423/32	335/64	223/64	63/64	33/64	4 1/4	1,9370	0,748	1/2	32395	20235	UC209-27		2,04
UCPA209-28	1 3/4													UC209-28		2,00
<b>UCPA210</b>	<b>50</b>	57,2	130	94	64	25	14	116	51,6	19	M16			<b>UC210</b>		2,16
UCPA210-29	113/16													UC210-29	<b>PA210</b>	2,28
UCPA210-30	17/8	2 1/4	51/8	345/64	233/64	63/64	35/64	49/16	2,0315	0,748	5/8	33345	22135	UC210-30		2,23
UCPA210-31	115/16													UC210-31		2,18
UCPA210-32	2													UC210-32		2,14
<b>UCPA211</b>	<b>55</b>	63,5	140	104	66	25	14	125	55,6	22,2	M16			<b>UC211</b>		3,26
UCPA211-32	2													UC211-32	<b>PA211</b>	3,41
UCPA211-33	21/16	2 1/2	533/64	43/32	219/32	63/64	35/64	459/64	2,1890	0,874	5/8	41230	27930	UC211-33		3,35
UCPA211-34	21/8													UC211-34		3,30
UCPA211-35	23/16													UC211-35		3,24
<b>UCPA212</b>	<b>60</b>	69,9	150	114	68	25	15	138	65,1	25,4	M16			<b>UC212</b>		4,19
UCPA212-36	2 1/4													UC212-36	<b>PA212</b>	4,32
UCPA212-37	25/16	2 3/4	529/32	431/64	243/64	63/64	19/32	57/16	2,5630	1,000	5/8	49780	34390	UC212-37		4,24
UCPA212-38	23/8													UC212-38		4,17
UCPA212-39	27/16													UC212-39		4,10
<b>UCPA213</b>	<b>65</b>	76,2	160	124	70	25	15	150	65,1	25,4	M16			<b>UC213</b>		-
UCPA213-40	2 1/2	3	619/64	47/8	2 3/4	63/64	19/32	529/32	2,5630	1,000	5/8	54340	38095	UC213-40	<b>PA213</b>	-
UCPA213-41	29/16													UC213-41		-

Disponibile in acciaio inox Supporto: AISI 304 - Cuscinetto: AISI 440C o 420C - Available stainless steel Housing: AISI 304 - Bearing: AISI 440C or 420C  
 Disponibile su richiesta con cuscinetto SA (SAPA) - Available under request with SA bearing (SAPA)