



# RCK 40 TYPE CLAMPING ELEMENTS

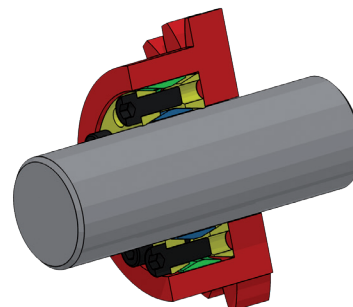
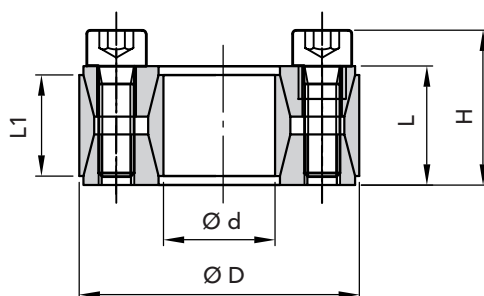
11

## NOT SELF CENTERING

THE RECOMMENDED MACHINING TOLERANCES FOR THE PRESSURE SURFACES ARE AS FOLLOWS:

Ø h 8 FOR SHAFT

Ø H 8 FOR HUB



RCK 40 TYPE CLAMPING ELEMENTS

| PART NUMBER | DIMENSIONS |     |    |    |    | maximum torque<br>Mt<br>Nm | CLAMPING PRESSURE          |                          | CLAMPING SCREWS<br>DIN 912 MAT. 12.9 |        |              | EXTRACTION<br>THREAD |    | WEIGHT<br>Kg |
|-------------|------------|-----|----|----|----|----------------------------|----------------------------|--------------------------|--------------------------------------|--------|--------------|----------------------|----|--------------|
|             | Ød         | ØD  | L1 | L  | H  |                            | Shaft<br>N/mm <sup>2</sup> | Hub<br>N/mm <sup>2</sup> | N.                                   | Type   | Torque<br>Nm | Type                 | N. |              |
|             |            |     |    |    |    |                            |                            |                          |                                      |        |              |                      |    |              |
| 06400019    | 19         | 47  | 17 | 20 | 28 | 255                        | 220                        | 90                       | 8                                    | M6x18  | 14           | M8                   | 2  | 0,25         |
| 06400020    | 20         | 47  | 17 | 20 | 28 | 270                        | 210                        | 90                       | 8                                    | M6x18  | 14           | M8                   | 2  | 0,24         |
| 06400022    | 22         | 47  | 17 | 20 | 28 | 300                        | 195                        | 90                       | 8                                    | M6x18  | 14           | M8                   | 2  | 0,23         |
| 06400024    | 24         | 50  | 17 | 20 | 28 | 360                        | 195                        | 95                       | 9                                    | M6x18  | 14           | M8                   | 3  | 0,26         |
| 06400025    | 25         | 50  | 17 | 20 | 28 | 380                        | 190                        | 95                       | 9                                    | M6x18  | 14           | M8                   | 3  | 0,25         |
| 06400028    | 28         | 55  | 17 | 20 | 28 | 500                        | 187                        | 96                       | 10                                   | M6x18  | 14           | M8                   | 4  | 0,27         |
| 06400030    | 30         | 55  | 17 | 20 | 28 | 530                        | 176                        | 96                       | 10                                   | M6x18  | 14           | M8                   | 4  | 0,27         |
| 06400032    | 32         | 60  | 17 | 20 | 28 | 630                        | 192                        | 105                      | 12                                   | M6x18  | 14           | M8                   | 4  | 0,32         |
| 06400035    | 35         | 60  | 17 | 20 | 28 | 700                        | 180                        | 105                      | 12                                   | M6x18  | 14           | M8                   | 4  | 0,32         |
| 06400038    | 38         | 65  | 17 | 20 | 28 | 860                        | 183                        | 107                      | 14                                   | M6x18  | 14           | M8                   | 4  | 0,36         |
| 06400040    | 40         | 65  | 17 | 20 | 28 | 910                        | 180                        | 110                      | 14                                   | M6x18  | 14           | M8                   | 4  | 0,34         |
| 06400042    | 42         | 75  | 20 | 24 | 34 | 1500                       | 226                        | 125                      | 12                                   | M8x22  | 35           | M10                  | 4  | 0,48         |
| 06400045    | 45         | 75  | 20 | 24 | 34 | 1610                       | 210                        | 125                      | 12                                   | M8x22  | 35           | M10                  | 4  | 0,57         |
| 06400048    | 48         | 80  | 20 | 24 | 34 | 1700                       | 196                        | 115                      | 12                                   | M8x22  | 35           | M10                  | 4  | 0,59         |
| 06400050    | 50         | 80  | 20 | 24 | 34 | 1770                       | 190                        | 115                      | 12                                   | M8x22  | 35           | M10                  | 4  | 0,60         |
| 06400055    | 55         | 85  | 20 | 24 | 34 | 2270                       | 200                        | 130                      | 14                                   | M8x22  | 35           | M10                  | 4  | 0,63         |
| 06400060    | 60         | 90  | 20 | 24 | 34 | 2470                       | 180                        | 120                      | 14                                   | M8x22  | 35           | M10                  | 4  | 0,69         |
| 06400065    | 65         | 95  | 20 | 24 | 34 | 3040                       | 190                        | 130                      | 16                                   | M8x22  | 35           | M12                  | 4  | 0,73         |
| 06400070    | 70         | 110 | 24 | 28 | 40 | 4600                       | 210                        | 130                      | 14                                   | M10x25 | 70           | M12                  | 4  | 1,26         |
| 06400075    | 75         | 115 | 24 | 28 | 40 | 4900                       | 195                        | 125                      | 14                                   | M10x25 | 70           | M12                  | 4  | 1,33         |
| 06400080    | 80         | 120 | 24 | 28 | 40 | 5200                       | 180                        | 120                      | 14                                   | M10x25 | 70           | M12                  | 4  | 1,40         |
| 06400085    | 85         | 125 | 24 | 28 | 40 | 6300                       | 195                        | 130                      | 16                                   | M10x25 | 70           | M12                  | 4  | 1,49         |
| 06400090    | 90         | 130 | 24 | 28 | 40 | 6600                       | 180                        | 125                      | 16                                   | M10x25 | 70           | M12                  | 4  | 1,53         |
| 06400095    | 95         | 135 | 24 | 28 | 40 | 7900                       | 195                        | 135                      | 18                                   | M10x25 | 70           | M12                  | 4  | 1,62         |
| 06400100    | 100        | 145 | 26 | 33 | 47 | 9600                       | 195                        | 135                      | 14                                   | M12x30 | 125          | M14                  | 4  | 2,01         |
| 06400110    | 110        | 155 | 26 | 33 | 47 | 10500                      | 180                        | 125                      | 14                                   | M12x30 | 125          | M14                  | 4  | 2,15         |
| 06400120    | 120        | 165 | 26 | 33 | 47 | 13100                      | 185                        | 135                      | 16                                   | M12x30 | 125          | M14                  | 4  | 2,35         |
| 06400130    | 130        | 180 | 34 | 38 | 52 | 17600                      | 165                        | 115                      | 20                                   | M12x35 | 125          | M14                  | 4  | 3,51         |
| 06400140    | 140        | 190 | 34 | 38 | 52 | 20900                      | 165                        | 125                      | 22                                   | M12x35 | 125          | M14                  | 4  | 3,85         |
| 06400150    | 150        | 200 | 34 | 38 | 52 | 24200                      | 170                        | 125                      | 24                                   | M12x35 | 125          | M14                  | 4  | 4,07         |
| 06400160    | 160        | 210 | 34 | 38 | 52 | 28000                      | 170                        | 130                      | 26                                   | M12x35 | 125          | M14                  | 4  | 4,30         |
| 06400170    | 170        | 225 | 38 | 44 | 60 | 32800                      | 160                        | 120                      | 22                                   | M14x40 | 190          | M16                  | 4  | 5,80         |
| 06400180    | 180        | 235 | 38 | 44 | 60 | 37800                      | 165                        | 125                      | 24                                   | M14x40 | 190          | M16                  | 4  | 6,00         |
| 06400190    | 190        | 250 | 46 | 52 | 68 | 46500                      | 150                        | 115                      | 28                                   | M14x45 | 190          | M16                  | 4  | 8,50         |
| 06400200    | 200        | 260 | 46 | 52 | 68 | 52500                      | 150                        | 115                      | 30                                   | M14x45 | 190          | M16                  | 5  | 8,60         |
| 06400220    | 220        | 285 | 50 | 56 | 74 | 68000                      | 150                        | 115                      | 26                                   | M16x50 | 295          | M18                  | 3  | 11,0         |

### ORDERING EXAMPLE:

The following will be ordered with a shaft having Ød 75 with a torque value less than or equal 4900 Nm:

**RCK 40 - 75 x 115**

**Part Number 06400075**

CAD drawings available on our site

[www.chiaravalli.com](http://www.chiaravalli.com)

3D simulation available on the website.

Quantity, availability and prices on B2B Chiaravalli

