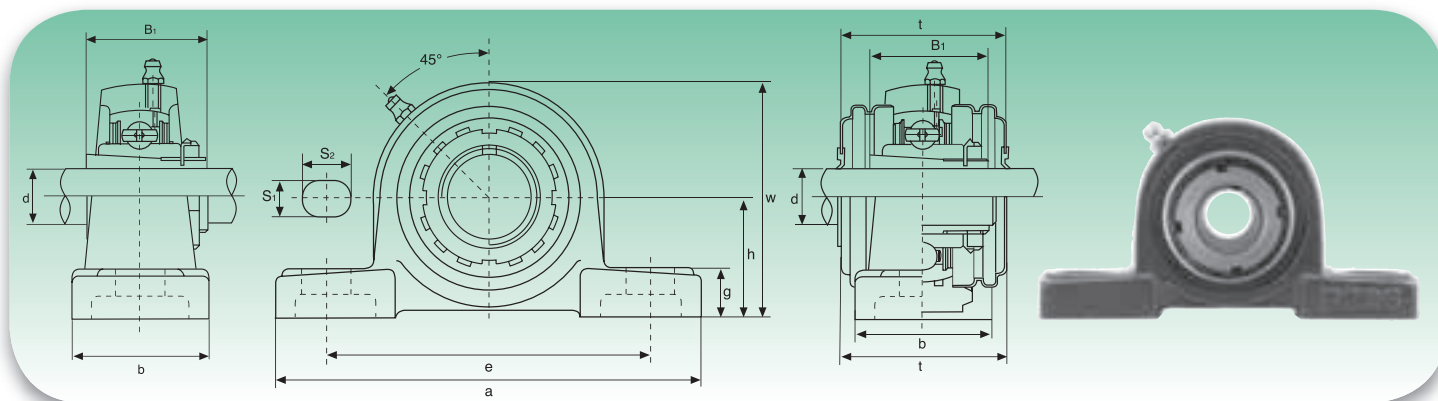


SUPPORTI RITTI CON BUSSOLA - BEARING UNITS WITH ADAPTER SLEEVE



UKP2 Serie normale - Standard duty



Tipo Type	Dimensioni - Dimensions											Bull. fiss. Bolt Size	Coefficients di carico (N) Load ratings (N)		Cuscinetto Bearing	Supporto Housing	Peso Weight	
	d	h	a	e	b	S ₁	S ₂	g	w	t	B ₁		Dinamico C Dynamic C	Statico C ₀ Static C ₀				kg
	mm/inch												mm/inch					
UKP205+H2305	20	36,5	140	105	38	13	19	15	71	48	35	M10	13300	7457	UK205+H2305	P205	0,86	
UKP205+HE2305	¾	17/16	5½	41/8	1½	½	¾	19/32	225/32	157/64	1,378	3/8			UK205+HE2305			
UKP206+H2306	25	42,9	165	121	48	17	20	17	84	53	38	M14	18525	10735	UK206+H2306	P206	1,28	
UKP206+HS2306	7/8	111/16	6½	4¾	17/8	43/64	25/32	43/64	35/16	25/64	1,496	½			UK206+HS2306			
UKP206+HE2306	1												UK206+HE2306					
UKP207+H2307	30	47,6	167	127	48	17	20	18	93	59,5	43	M14	24415	14630	UK207+H2307	P207	1,67	
UKP207+HS2307	11/8	17/8	69/16	5	17/8	43/64	25/32	45/64	321/32	211/32	1,693	½			UK207+HS2307			
UKP208+H2308	35	49,2	184	137	54	17	20	18	100	69	46	M14	27645	16910	UK208+H2308	P208	1,99	
UKP208+HE2308	1¼	115/16	7¼	513/32	21/8	43/64	25/32	45/64	315/16	223/32	1,811	½			UK208+HE2308			
UKP208+HS2308	13/8												UK208+HS2308					
UKP209+H2309	40	54	190	146	54	17	20	20	106	69	50	M14	32395	20235	UK209+H2309	P209	1,29	
UKP209+HA2309	17/16	21/8	715/32	5¾	21/8	43/64	25/32	25/32	411/64	223/32	1,969	½			UK209+HA2309			
UKP209+HE2309	1½												UK209+HE2309					
UKP209+HS2309	15/8	UK209+HS2309																
UKP210+H2310	45	57,2	206	159	60	20	23	21	113	74,5	55	M16	33345	22135	UK210+H2310	P210	2,83	
UKP210+HS2310	15/8	2¼	81/8	6¾	23/8	25/32	29/32	53/64	429/64	215/16	2,165	5/8			UK210+HS2310			
UKP210+HA2310	111/16												UK210+HA2310					
UKP210+HE2310	1¾	UK210+HE2310																
UKP211+H2311	50	63,5	219	171	60	20	23	23	125	76	59	M16	41230	27930	UK211+H2311	P211	3,46	
UKP211+HS2311	17/8	2½	85/8	647/64	23/8	25/32	29/32	29/32	459/64	3	2,323	5/8			UK211+HS2311			
UKP211+HA2311	115/16												UK211+HA2311					
UKP211+HE2311	2	UK211+HE2311																
UKP212+H2312	55	69,8	241	184	70	20	23	25	138	89	62	M16	49780	34390	UK212+H2312	P212	4,95	
UKP212+HS2312	21/8	2¾	9½	7¼	2¾	25/32	29/32	63/64	57/16	3½	2,441	5/8			UK212+HS2312			
UKP213+H2313	60	76,2	265	203	70	25	28	27	150	89	65	M20	54340	38095	UK213+H2313	P213	5,06	
UKP213+HA2313	23/16	3	107/16	8	2¾	63/64	13/32	11/16	529/32	3½	2,559	¾			UK213+HA2313			
UKP213+HE2313	2¼												UK213+HE2313					
UKP213+HS2313	23/8	UK213+HS2313																
UKP215+H2315	65	82,6	275	217	74	25	28	28	162	-	73	M20	64030	45885	UK215+H2315	P215	7,27	
UKP215+HA2315	27/16	3¼	1053/64	835/64	229/32	63/64	13/32	13/32	63/8	-	2,874	¾			UK215+HA2315			
UKP215+HE2315	2½	UK215+HE2315																
UKP216+H2316	70	88,9	292	232	78	25	28	30	174	-	78	M20	69065	50350	UK216+H2316	P216	8,36	
UKP216+HA2316	211/16	3½	11½	91/8	31/16	63/64	13/32	13/16	627/32	-	3,071	¾			UK216+HA2316			
UKP216+HE2316	2¾	UK216+HE2316																
UKP217+H2317	75	95,2	310	247	83	25	28	32	185	-	82	M20	79800	58805	UK217+H2317	P217	10,23	
UKP217+HA2317	215/16	3¾	1213/64	923/32	317/64	63/64	13/32	1¼	79/32	-	3,228	¾			UK217+HA2317			
UKP217+HE2317	3	UK217+HE2317																
UKP218+H2318	80	101,6	327	262	88	27	30	33	198	-	86	M22	91295	67925	UK218+H2318	P218	12,34	
UKP218+HA2318	33/16	4	127/8	105/16	315/32	11/16	13/16	119/64	751/64	-	3,386	7/8			UK218+HA2318			

Bussolle HA; HE; HS con filettatura in pollici
Inch dimension adapter sleeves HA; HE; HS