

| Diametro albero (mm)<br>Shaft Diameter (mm) | Sigla Designation | Peso (g)<br>Weight (g) | Dimensioni (mm)<br>Dimensions (mm) |     |     |       | Dimensioni di montaggio (mm)<br>Mounting dimensions (mm) |                     |                     |         | Coefficienti di carico (N)<br>Basic Load Rating (N) |   | Velocità limite<br>Limiting Speed |
|---|-------------------|------------------------|------------------------------------|-----|-----|-------|--|---------------------|---------------------|---------|---|---|-----------------------------------|
|   |                   |                        | d                                  | D   | B   | s     | F  | d <sub>1</sub><br>≈ | D <sub>1</sub><br>≈ | E       | Dinamico C<br>Dynamic C                             | Statico C <sub>0</sub><br>Static C <sub>0</sub> |                                   |
| 20  | SL183004          | 110                    | 20                                 | 42  | 16  | 1.5   | -  | 28.8                | 32.8                | 36.81   | 26 200  | 25 100  | 9 500                             |
|   | SL182204          | 160                    | 20                                 | 47  | 18  | 1     | -  | 30.3                | 36.9                | 41.47   | 39 000  | 35 600  | 9 025                             |
| 25  | SL183005          | 120                    | 25                                 | 47  | 16  | 1.5   | -  | 34.6                | 38.5                | 42.51   | 30 000  | 30 800  | 8 550                             |
|   | SL182205          | 180                    | 25                                 | 52  | 18  | 1     | -  | 35.3                | 41.9                | 46.52   | 43 700  | 42 700  | 8 075                             |
|   | SL192305          | 370                    | 25                                 | 62  | 24  | 2     | 31.72  | 36.7                | 47.5                | -       | 61 700  | 57 000  | 7 125                             |
| 30  | SL183006          | 200                    | 30                                 | 55  | 19  | 2     | -  | 40                  | 45.4                | 49.6    | 38 500  | 40 800  | 7 125                             |
|   | SL182206          | 300                    | 30                                 | 62  | 20  | 1     | -  | 42                  | 50.6                | 55.19   | 59 800  | 61 700  | 6 650                             |
|   | SL192306          | 560                    | 30                                 | 72  | 27  | 2     | 38.3   | 43.5                | 56                  | -       | 84 500  | 83 600  | 6 175                             |
| 35  | SL183007          | 260                    | 35                                 | 62  | 20  | 2     | -  | 44.9                | 51.3                | 55.52   | 47 000  | 52 200  | 6 175                             |
|   | SL182207          | 440                    | 35                                 | 72  | 23  | 1     | -  | 47                  | 59.3                | 63.97   | 75 000  | 75 000  | 5 700                             |
|   | SL192307          | 740                    | 35                                 | 80  | 31  | 2     | 44.68  | 50.7                | 65.8                | -       | 107 300   | 106 400   | 5 225                             |
| 40  | SL183008          | 310                    | 40                                 | 68  | 21  | 2     | -  | 50.5                | 57.1                | 61.74   | 56 000  | 64 600  | 5 700                             |
|   | SL182208          | 550                    | 40                                 | 80  | 23  | 1     | -  | 54                  | 66.3                | 70.94   | 82 600  | 78 800  | 5 225                             |
|   | SL192308          | 1 010                  | 40                                 | 90  | 33  | 2     | 51.12  | 57.5                | 75.2                | -       | 144 400   | 148 200   | 4 750                             |
| 45  | SL183009          | 400                    | 45                                 | 75  | 23  | 2     | -  | 55.3                | 62.2                | 66.85   | 59 800  | 72 200  | 5 225                             |
|   | SL182209          | 590                    | 45                                 | 85  | 23  | 1     | -  | 57.5                | 69.8                | 74.43   | 85 500  | 94 000  | 4 750                             |
|   | SL192309          | 1 370                  | 45                                 | 100 | 36  | 3     | 56.1   | 62.5                | 80.3                | -       | 153 900   | 163 400   | 4 275                             |
| 50  | SL183010          | 430                    | 50                                 | 80  | 23  | 2     | -  | 59.1                | 67.7                | 72.33   | 75 000  | 91 200  | 4 750                             |
|   | SL182210          | 640                    | 50                                 | 90  | 23  | 1     | -  | 64.4                | 76.7                | 81.4    | 92 100  | 107 300   | 4 370                             |
|   | SL192310          | 1 810                  | 50                                 | 110 | 40  | 3     | 60.72  | 68.3                | 89.7                | -       | 197 600   | 208 000   | 3 900                             |
| 55  | SL183011          | 640                    | 55                                 | 90  | 26  | 2     | -  | 68.5                | 78.8                | 83.54   | 101 600   | 131 100   | 4 275                             |
|   | SL182211          | 870                    | 55                                 | 100 | 25  | 1     | -  | 70                  | 84.1                | 88.81   | 118 700   | 142 500   | 4 000                             |
|   | SL192311          | 2 280                  | 55                                 | 120 | 43  | 3     | 67.11  | 75.5                | 99.3                | -       | 229 900   | 242 200   | 3 500                             |
| 60  | SL182912          | 290                    | 60                                 | 85  | 16  | 1     | -  | 69                  | 74.4                | 78.55   | 54 100  | 74 100  | 4 275                             |
|   | SL183012          | 690                    | 60                                 | 95  | 26  | 2     | -  | 71.7                | 82.1                | 86.74   | 104 500   | 137 700   | 4 000                             |
|   | SL182212          | 1 180                  | 60                                 | 110 | 28  | 1.5   | -  | 76.8                | 93.9                | 99.17   | 144 400   | 171 000   | 3 600                             |
| SL192312                                    | 2 880             | 60                     | 130                                | 46  | 3   | 73.62 | 82   | 105.8               | -                   | 247 000 | 266 000   | 3 200   |                                   |
| 65  | SL182913          | 310                    | 65                                 | 90  | 16  | 1     | -  | 75.7                | 81                  | 85.24   | 57 000  | 81 700  | 4 000                             |
|   | SL183013          | 730                    | 65                                 | 100 | 26  | 2     | -  | 78.1                | 88.4                | 93.09   | 110 200   | 151 000   | 3 700                             |
|   | SL182213          | 1 570                  | 65                                 | 120 | 31  | 1.5   | -  | 82.3                | 100.7               | 106.25  | 169 100   | 203 300   | 3 325                             |
| SL192313                                    | 3 520             | 65                     | 140                                | 48  | 3.5 | 80.69 | 90   | 116.5               | -                   | 299 200 | 337 200   | 3 050   |                                   |
| 70  | SL182914          | 490                    | 70                                 | 100 | 19  | 1     | -  | 81.2                | 87.8                | 92.31   | 75 000  | 108 300   | 3 600                             |
|   | SL183014          | 1 020                  | 70                                 | 110 | 30  | 3     | -  | 81.5                | 95.6                | 100.28  | 130 100   | 167 200   | 3 420                             |
|   | SL182214          | 1 660                  | 70                                 | 125 | 31  | 1.5   | -  | 87                  | 105.2               | 111.45  | 174 800   | 215 600   | 3 150                             |
| SL192314                                    | 4 330             | 70                     | 150                                | 51  | 3.5 | 84.14 | 93.5   | 121.6               | -                   | 327 700 | 370 500   | 2 750   |                                   |

| Diametro albero (mm)<br>Shaft Diameter (mm) | Sigla Designation | Peso (g)<br>Weight (g) | Dimensioni (mm)<br>Dimensions (mm) |     |     |        | Dimensioni di montaggio (mm)<br>Mounting dimensions (mm) |                     |                     |           | Coefficienti di carico (N)<br>Basic Load Rating (N) |   | Velocità limite<br>Limiting Speed |
|---|-------------------|------------------------|------------------------------------|-----|-----|--------|--|---------------------|---------------------|-----------|---|---|-----------------------------------|
|   |                   |                        | d                                  | D   | B   | s      | F  | d <sub>1</sub><br>≈ | D <sub>1</sub><br>≈ | E         | Dinamico C<br>Dynamic C                             | Statico C <sub>0</sub><br>Static C <sub>0</sub> |                                   |
| 75  | SL182915          | 520                    | 75                                 | 105 | 19  | 1      | -  | 86.3                | 92.8                | 97.41     | 77 000  | 115 000   | 3 420                             |
|   | SL183015          | 1 060                  | 75                                 | 115 | 30  | 3      | -  | 89                  | 103.2               | 107.9     | 137 700   | 184 300   | 3 230                             |
|   | SL182215          | 1 750                  | 75                                 | 130 | 31  | 1.5    | -  | 91.8                | 110                 | 116.2     | 180 500   | 229 000   | 3 040                             |
|   | SL192315          | 5 300                  | 75                                 | 160 | 55  | 3.5    | 91.22  | 101.6               | 131.5               | -         | 389 500   | 451 200   | 2 660                             |
| 80  | SL182916          | 550                    | 80                                 | 110 | 19  | 1      | -  | 91.4                | 98                  | 102.51    | 79 800  | 122 500   | 3 230                             |
|   | SL183016          | 1 430                  | 80                                 | 125 | 34  | 4      | -  | 95                  | 111.7               | 117.4     | 164 300   | 213 700   | 3 040                             |
|   | SL182216          | 2 150                  | 80                                 | 140 | 33  | 1.5    | -  | 98.6                | 119.3               | 126.3     | 214 700   | 270 700   | 2 750                             |
| SL192316                                    | 6 320             | 80                     | 170                                | 58  | 3.5 | 98.24  | 109.5  | 142.1               | -                   | 456 000   | 532 000   | 2 470   |                                   |
| 85  | SL182917          | 810                    | 85                                 | 120 | 22  | 1      | -  | 96.4                | 105                 | 109.58    | 99 700  | 153 900   | 3 040                             |
|   | SL183017          | 1 510                  | 85                                 | 130 | 34  | 4      | -  | 99.4                | 116.1               | 121.25    | 169 100   | 225 100   | 2 850                             |
|   | SL182217          | 2 740                  | 85                                 | 150 | 36  | 1.5    | -  | 104.4               | 126.3               | 133.75    | 242 200   | 308 700   | 2 660                             |
| SL192317                                    | 7 340             | 85                     | 180                                | 60  | 4   | 107.01 | 118.2  | 150.9               | -                   | 484 500   | 589 000   | 2 000   |                                   |
| 90  | SL182918          | 840                    | 90                                 | 125 | 22  | 1      | -  | 102                 | 110.7               | 115.75    | 103 500   | 163 400   | 2 850                             |
|   | SL183018          | 1 970                  | 90                                 | 140 | 37  | 4      | -  | 106.1               | 124.5               | 130.65    | 197 600   | 266 000   | 2 660                             |
|   | SL182218          | 3 480                  | 90                                 | 160 | 40  | 2.5    | -  | 110.2               | 133.3               | 141.15    | 275 500   | 351 500   | 2 470                             |
| SL192318                                    | 8 830             | 90                     | 190                                | 64  | 4   | 105.26 | 117.5  | 152.5               | -                   | 532 000   | 627 000   | 2 185   |                                   |
| 95  | SL182919          | 860                    | 95                                 | 130 | 22  | 1      | -  | 106.7               | 117                 | 122.25    | 112 100   | 170 000   | 2 750                             |
|   | SL182219          | 4 170                  | 95                                 | 170 | 43  | 2.5    | -  | 122                 | 147.3               | 155.95    | 323 000   | 413 200   | 2 280                             |
|   | SL192319          | 1 020                  | 95                                 | 200 | 67  | 4      | 114.65   | 126.6               | 161.9               | -         | 551 000   | 684 000   | 2 090                             |
| 100   | SL182920          | 1 140                  | 100                                | 140 | 24  | 1.5    | -  | 113.4               | 125.7               | 130.95    | 129 200   | 195 700   | 2 565                             |
|   | SL183020          | 2 150                  | 100                                | 150 | 37  | 4      | -  | 115.7               | 134                 | 140.2     | 208 000   | 294 500   | 2 470                             |
|   | SL182220          | 5 130                  | 100                                | 180 | 46  | 2.5    | -  | 127.5               | 154.3               | 163.35    | 375 200   | 494 000   | 2 185                             |
|   | SL192320          | 13 000                 | 100                                | 215 | 73  | 4      | 119.3  | 132.7               | 172.8               | -         | 674 500   | 817 000   | 2 000                             |
| 110   | SL182922          | 1 230                  | 110                                | 150 | 24  | 1.5    | -  | 124                 | 136.2               | 141.5     | 133 000   | 190 000   | 2 375                             |
|   | SL183022          | 3 500                  | 110                                | 170 | 45  | 5.5    | -  | 127.3               | 149.3               | 156.7     | 270 700   | 375 200   | 2 185                             |
|   | SL182222          | 7 240                  | 110                                | 200 | 53  | 4      | -  | 137                 | 168                 | 177.6     | 432 200   | 560 500   | 2 000                             |
| SL192322                                    | 17 000            | 110                    | 240                                | 80  | 5   | 134.27 | 151.1  | 199.9               | -                   | 807 500   | 931 000   | 1 800   |                                   |
| 120   | SL182924          | 1 730                  | 120                                | 165 | 27  | 1.5    | -  | 134.8               | 149                 | 154.3     | 171 000   | 280 200   | 2 185                             |
|   | SL183024          | 3 800                  | 120                                | 180 | 46  | 5.5    | -  | 138.8               | 160.7               | 168.15    | 285 000   | 413 200   | 2 090                             |
|   | SL182224          | 9 080                  | 120                                | 215 | 58  | 4      | -  | 150.7               | 183                 | 192.9     | 513 000   | 693 500   | 1 800                             |
| SL192324                                    | 22 300            | 120                    | 260                                | 86  | 5   | 147.39 | 164.2  | 213.1               | -                   | 1 130 000 | 1 178 000   | 1 615   |                                   |
| 130   | SL182926          | 2 330                  | 130                                | 180 | 30  | 2      | -  | 146                 | 161.1               | 167.15    | 238 000   | 337 500   | 2 000                             |
|   | SL183026          | 5 650                  | 130                                | 200 | 52  | 5.5    | -  | 148.6               | 175.5               | 184.4     | 435 000   | 589 000   | 1 900                             |
|   | SL182226          | 11 250                 | 130                                | 230 | 64  | 5      | -  | 162.3               | 197                 | 207.75    | 630 000   | 817 000   | 1 710                             |







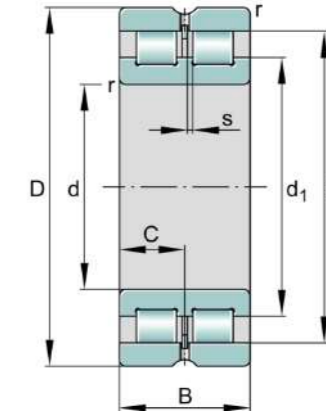
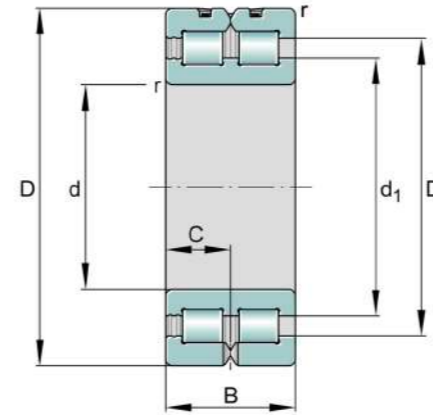
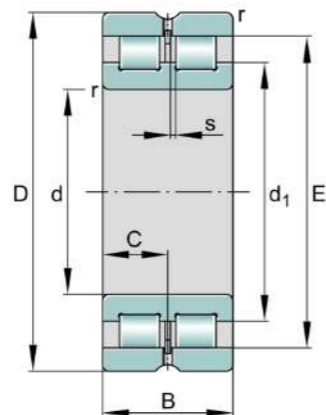
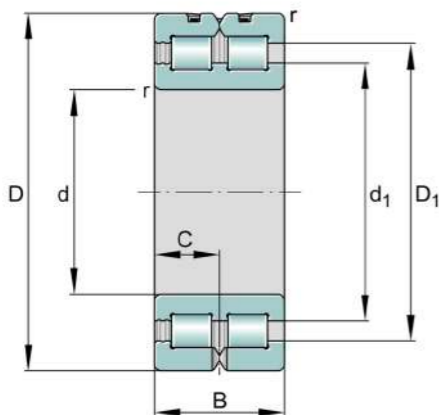


CYLINDRICAL ROLLER BEARINGS, FULL COMPLEMENT ROLLER SET, DOUBLE ROW, SEMI-LOCATING BEARINGS, LOCATING BEARINGS, NON-LOCATING BEARING  
 CUSCINETTI RADIALI A RULLI CILINDRICI A PIENO RIEMPIMENTO, A DUE CORONE, CUSCINETTI

DOUBLE ROW, SEMI-LOCATING BEARINGS, LOCATING BEARINGS, NON-LOCATING BEARING  
 DUE CORONE, CUSCINETTI DI APPOGGIO, CUSCINETTI BLOCCATI, CUSCINETTI LIBERI

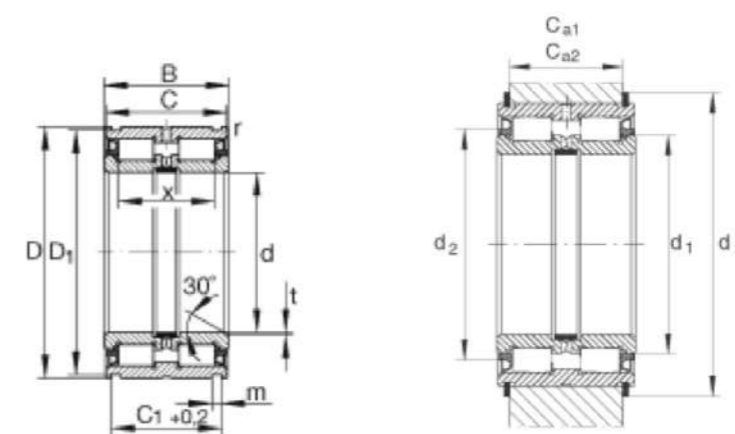
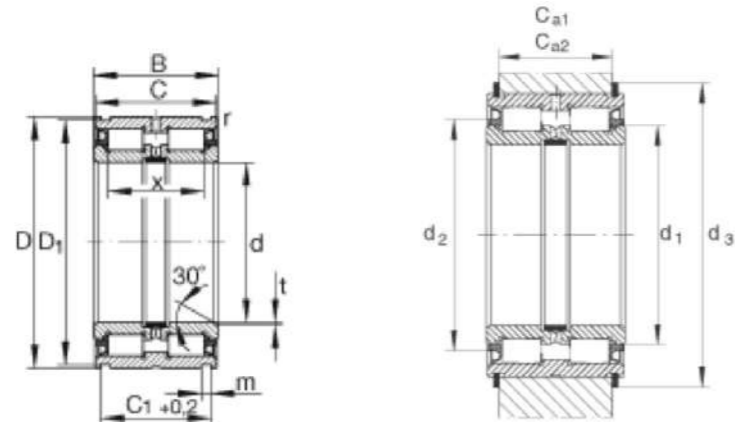


Bearings & Components



| Diametro albero (mm)<br>Shaft Diameter (mm) | Sigla Designation                        |  | Peso (g)<br>Weight (g) | Dimensioni (mm)<br>Dimensions (mm) |     |     |   | Dimensioni di montaggio (mm)<br>Mounting dimensions (mm) |                     |                     |        | Coefficienti di carico (N)<br>Basic Load Rating (N) |   | Velocità limite<br>Limiting Speed |
|---|--|--|------------------------|------------------------------------|-----|-----|---|--|---------------------|---------------------|--------|---|---|-----------------------------------|
|   | Cuscinetto bloccati<br>Locating bearings | Cuscinetto liberi<br>Non-locating bearings |                        | d                                  | D   | B   | s | C  | d <sub>1</sub><br>≈ | D <sub>1</sub><br>≈ | E      | Dinamico C<br>Dynamic C                             | Statico C <sub>0</sub><br>Static C <sub>0</sub> |                                   |
| 220   | SL014844                                 | -  | 6 400                  | 220                                | 270 | 50  | - | 25   | 239.1               | 252.3               | -      | 323 000   | 826 000   | 1 235                             |
|   | -  | SL024844                                   | 6 200                  | 220                                | 270 | 50  | 4 | 25   | 239.1               | -                   | 256.5  | 323 000   | 826 000   | 1 235                             |
|   | SL014944                                 | -  | 17 200                 | 220                                | 300 | 80  | - | 40   | 248                 | 268.5               | -      | 684 000   | 1 510 000                                       | 1 140                             |
|   | -  | SL024944                                   | 16 700                 | 220                                | 300 | 80  | 5 | 40   | 248                 | -                   | 276.52 | 684 000   | 1 510 000                                       | 1 140                             |
| 240   | SL014848                                 | -  | 10 000                 | 240                                | 300 | 60  | - | 30   | 259.5               | 276.7               | -      | 494 000   | 1 225 000                                       | 1 140                             |
|   | -  | SL024848                                   | 9 900                  | 240                                | 300 | 60  | 4 | 30   | 259.5               | -                   | 281.9  | 494 000   | 1 225 000                                       | 1 140                             |
|   | SL014948                                 | -  | 18 500                 | 240                                | 320 | 80  | - | 40   | 270.6               | 292.3               | -      | 712 000   | 1 653 000                                       | 1 140                             |
|   | -  | SL024948                                   | 17 900                 | 240                                | 320 | 80  | 5 | 40   | 270.6               | -                   | 299.46 | 712 000   | 1 653 000                                       | 1 140                             |
| 260   | SL014852                                 | -  | 11 000                 | 260                                | 320 | 60  | - | 30   | 281.8               | 298.8               | -      | 513 000   | 1 330 000                                       | 1 045                             |
|   | -  | SL024852                                   | 10 600                 | 260                                | 320 | 60  | 4 | 30   | 281.8               | -                   | 304.2  | 513 000   | 1 330 000                                       | 1 045                             |
|   | SL014952                                 | -  | 32 000                 | 260                                | 360 | 100 | - | 50   | 294.5               | 322.1               | -      | 1 064 000   | 2 375 000                                       | 950                               |
|   | -  | SL024952                                   | 31 200                 | 260                                | 360 | 100 | 6 | 50   | 294.5               | -                   | 331.33 | 1 064 000   | 2 375 000                                       | 950                               |
| 280   | SL014856                                 | -  | 16 000                 | 280                                | 350 | 69  | - | 34.5   | 306.8               | 326.4               | -      | 674 000   | 1 767 000                                       | 950                               |
|   | -  | SL024856                                   | 15 600                 | 280                                | 350 | 69  | 4 | 34.5   | 306.8               | -                   | 332.4  | 674 000   | 1 767 000                                       | 950                               |
|   | SL014956                                 | -  | 34 000                 | 280                                | 380 | 100 | - | 50   | 316.5               | 344.6               | -      | 1 111 000   | 2 565 000                                       | 950                               |
|   | -  | SL024956                                   | 33 100                 | 280                                | 380 | 100 | 6 | 50   | 316.5               | -                   | 353.34 | 1 111 000   | 2 565 000                                       | 950                               |
| 300   | SL014860                                 | -  | 23 000                 | 300                                | 380 | 80  | - | 40   | 327.9               | 349.9               | -      | 788 000   | 2 014 000                                       | 900                               |
|   | -  | SL024860                                   | 22 000                 | 300                                | 380 | 80  | 6 | 40   | 327.9               | -                   | 356.7  | 788 000   | 2 014 000                                       | 900                               |
|   | SL014960                                 | -  | 53 000                 | 300                                | 420 | 118 | - | 59   | 340.7               | 374.3               | -      | 1 567 000   | 3 610 000                                       | 855                               |
|   | -  | SL024960                                   | 51 900                 | 300                                | 420 | 118 | 6 | 59   | 340.7               | -                   | 385.51 | 1 567 000   | 3 610 000                                       | 855                               |
| 320   | SL014864                                 | -  | 24 000                 | 320                                | 400 | 80  | - | 40   | 350.9               | 372.9               | -      | 817 000   | 2 166 000                                       | 855                               |
|   | -  | SL024864                                   | 23 500                 | 320                                | 400 | 80  | 6 | 40   | 350.9               | -                   | 379.7  | 817 000   | 2 166 000                                       | 855                               |
|   | SL014964                                 | -  | 56 000                 | 320                                | 440 | 118 | - | 59   | 367.5               | 401.1               | -      | 1 634 000   | 3 895 000                                       | 805                               |
|   | -  | SL024964                                   | 54 900                 | 320                                | 440 | 118 | 6 | 59   | 367.5               | -                   | 412.27 | 1 634 000   | 3 895 000                                       | 805                               |
| 340   | SL014868                                 | -  | 25 500                 | 340                                | 420 | 80  | - | 40   | 368.1               | 390.1               | -      | 836 000   | 2 270 000                                       | 805                               |
|   | -  | SL024868                                   | 25 000                 | 340                                | 420 | 80  | 6 | 40   | 368.1               | -                   | 396.9  | 836 000   | 2 270 000                                       | 805                               |
|   | SL014968                                 | -  | 59 000                 | 340                                | 460 | 118 | - | 59   | 385.3               | 418.9               | -      | 1 681 000   | 4 085 000                                       | 760                               |
|   | -  | SL024968                                   | 57 800                 | 340                                | 460 | 118 | 6 | 59   | 385.3               | -                   | 430.11 | 1 681 000   | 4 085 000                                       | 760                               |

| Diametro albero (mm)<br>Shaft Diameter (mm) | Sigla Designation                        |  | Peso (g)<br>Weight (g) | Dimensioni (mm)<br>Dimensions (mm) |     |     |   | Dimensioni di montaggio (mm)<br>Mounting dimensions (mm) |                     |                     |        | Coefficienti di carico (N)<br>Basic Load Rating (N) |   | Velocità limite<br>Limiting Speed |
|---|--|--|------------------------|------------------------------------|-----|-----|---|--|---------------------|---------------------|--------|---|---|-----------------------------------|
|   | Cuscinetto bloccati<br>Locating bearings | Cuscinetto liberi<br>Non-locating bearings |                        | d                                  | D   | B   | s | C  | d <sub>1</sub><br>≈ | D <sub>1</sub><br>≈ | E      | Dinamico C<br>Dynamic C                             | Statico C <sub>0</sub><br>Static C <sub>0</sub> |                                   |
| 360   | SL014872                                 | -  | 27 000                 | 360                                | 440 | 80  | - | 40   | 391                 | 413.2               | -      | 864 000   | 2 422 000                                       | 760                               |
|   | -  | SL024872                                   | 26 000                 | 360                                | 440 | 80  | 6 | 40   | 391                 | -                   | 419.8  | 864 000   | 2 422 000                                       | 760                               |
|   | SL014972                                 | -  | 62 100                 | 360                                | 480 | 118 | - | 59   | 404                 | 436.8               | -      | 1 719 000   | 4 275 000                                       | 712                               |
|   | -  | SL024972                                   | 60 800                 | 360                                | 480 | 118 | 6 | 59   | 404                 | -                   | 447.95 | 1 719 000   | 4 275 000                                       | 712                               |
| 380   | SL014876                                 | -  | 45 500                 | 380                                | 480 | 100 | - | 50   | 419                 | 447.2               | -      | 1 263 000   | 3 372 000                                       | 712                               |
|   | -  | SL024876                                   | 44 000                 | 380                                | 480 | 100 | 6 | 50   | 419                 | -                   | 455.8  | 1 263 000   | 3 372 000                                       | 712                               |
|   | SL014976                                 | -  | 92 400                 | 380                                | 520 | 140 | - | 70   | 430.2               | 468.7               | -      | 2 166 000   | 5 320 000                                       | 665                               |
|   | -  | SL024976                                   | 90 500                 | 380                                | 520 | 140 | 7 | 70   | 430.2               | -                   | 481.35 | 2 166 000   | 5 320 000                                       | 665                               |
| 400   | SL014880                                 | -  | 46 500                 | 400                                | 500 | 100 | - | 50   | 433.8               | 462                 | -      | 1 292 000   | 3 515 000                                       | 665                               |
|   | -  | SL024880                                   | 45 800                 | 400                                | 500 | 100 | 6 | 50   | 433.8               | -                   | 470.59 | 1 292 000   | 3 515 000                                       | 665                               |
|   | SL014980                                 | -  | 96 500                 | 400                                | 540 | 140 | - | 70   | 450.5               | 489                 | -      | 2 223 000   | 5 605 000                                       | 665                               |
|   | -  | SL024980                                   | 94 600                 | 400                                | 540 | 140 | 7 | 70   | 450.5               | -                   | 501.74 | 2 223 000   | 5 605 000                                       | 665                               |



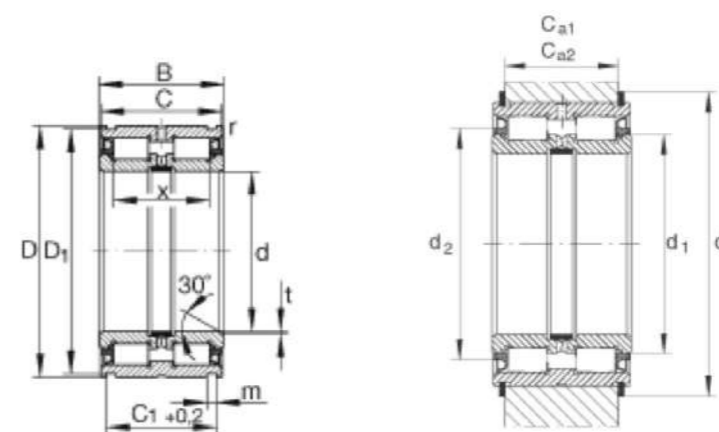
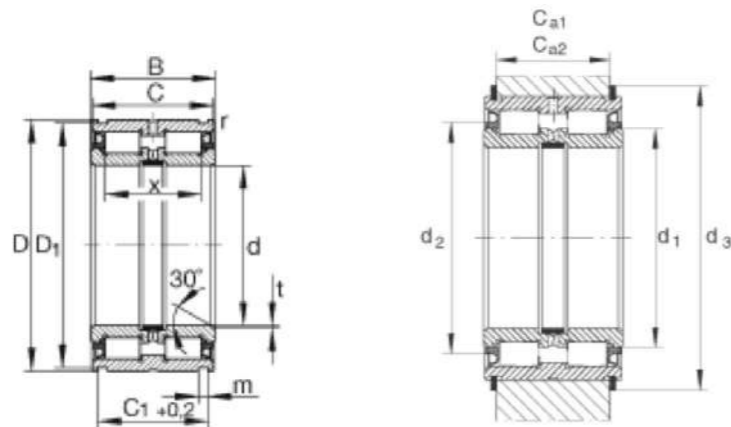
| Diametro albero (mm)<br>Shaft Diameter (mm) | Sigla<br>Designation | Peso (g)<br>Weight (g) | Dimensioni (mm)<br>Dimensions (mm) |     |     |     |                |                |     |     |      |
|---|----------------------|------------------------|------------------------------------|-----|-----|-----|----------------|----------------|-----|-----|------|
|   |                      |                        | d                                  | D   | B   | C   | C <sub>1</sub> | D <sub>1</sub> | m   | t   | x    |
| 20  | SL045004-PP          | 200                    | 20                                 | 42  | 30  | 29  | 24.7           | 40.2           | 1.8 | 0.5 | 22.5 |
| 25  | SL045005-PP          | 240                    | 25                                 | 47  | 30  | 29  | 24.7           | 45.2           | 1.8 | 0.5 | 22.5 |
| 30  | SL045006-PP          | 370                    | 30                                 | 55  | 34  | 33  | 28.2           | 53             | 2.1 | 0.5 | 25.5 |
| 35  | SL045007-PP          | 480                    | 35                                 | 62  | 36  | 35  | 30.2           | 60             | 2.1 | 0.5 | 27.5 |
| 40  | SL045008-PP          | 560                    | 40                                 | 68  | 38  | 37  | 32.2           | 65.8           | 2.7 | 0.8 | 28.5 |
| 45  | SL045009-PP          | 700                    | 45                                 | 75  | 40  | 39  | 34.2           | 72.8           | 2.7 | 0.8 | 30.5 |
| 50  | SL045010-PP          | 760                    | 50                                 | 80  | 40  | 39  | 34.2           | 77.8           | 2.7 | 0.8 | 30.5 |
| 55  | SL045011-PP          | 1 180                  | 55                                 | 90  | 46  | 45  | 40.2           | 87.4           | 3.2 | 1   | 36   |
| 60  | SL045012-PP          | 1 260                  | 60                                 | 95  | 46  | 45  | 40.2           | 92.4           | 3.2 | 1   | 36   |
| 65  | SL045013-PP          | 1 330                  | 65                                 | 100 | 46  | 45  | 40.2           | 97.4           | 3.2 | 1   | 36   |
| 70  | SL045014-PP          | 1 870                  | 70                                 | 110 | 54  | 53  | 48.2           | 107.1          | 4.2 | 1   | 42   |
| 75  | SL045015-PP          | 1 960                  | 75                                 | 115 | 54  | 53  | 48.2           | 112.1          | 4.2 | 1   | 42   |
| 80  | SL045016-PP          | 2 710                  | 80                                 | 125 | 60  | 59  | 54.2           | 122.1          | 4.2 | 1.5 | 48   |
| 85  | SL045017-PP          | 2 830                  | 85                                 | 130 | 60  | 59  | 54.2           | 127.1          | 4.2 | 1.5 | 48   |
| 90  | SL045018-PP          | 3 710                  | 90                                 | 140 | 67  | 66  | 59.2           | 137            | 4.2 | 1.5 | 54   |
| 95  | SL045019-PP          | 3 880                  | 95                                 | 145 | 67  | 66  | 59.2           | 142            | 4.2 | 1.5 | 54   |
| 100   | SL045020-PP          | 3 950                  | 100                                | 150 | 67  | 66  | 59.2           | 147            | 4.2 | 1.5 | 54   |
| 110   | SL045022-PP          | 6 570                  | 110                                | 170 | 80  | 79  | 70.2           | 167            | 4.2 | 1.8 | 64   |
| 120   | SL045024-PP          | 7 040                  | 120                                | 180 | 80  | 79  | 71.2           | 176            | 4.2 | 1.8 | 64   |
| 130   | SL045026-PP          | 10 500                 | 130                                | 200 | 95  | 94  | 83.2           | 196            | 4.2 | 1.8 | 77   |
|   | SL04130-PP           | 7 500                  | 130                                | 190 | 80  | 79  | 71.2           | 186            | 4.2 | 1.8 | 64   |
| 140   | SL045028-PP          | 11 100                 | 140                                | 210 | 95  | 94  | 83.2           | 206            | 5.2 | 1.8 | 77   |
|   | SL04140-PP           | 8 000                  | 140                                | 200 | 80  | 79  | 71.2           | 196            | 4.2 | 1.8 | 64   |
| 150   | SL045030-PP          | 13 300                 | 150                                | 225 | 100 | 99  | 87.2           | 221            | 5.2 | 2   | 80   |
|   | SL04150-PP           | 8 400                  | 150                                | 210 | 80  | 79  | 71.2           | 206            | 5.2 | 1.8 | 64   |
| 160   | SL045032-PP          | 16 600                 | 160                                | 240 | 109 | 108 | 95.2           | 236            | 5.2 | 2   | 89   |
|   | SL04160-PP           | 8 800                  | 160                                | 220 | 80  | 79  | 71.2           | 216            | 5.2 | 1.8 | 64   |

| Dimensioni di montaggio (mm)<br>Mounting dimensions (mm) |                                       |                |                |                              | Coefficienti di carico (N)<br>Basic Load Rating (N) |   | Velocità limite<br>Limiting Speed | Anello elastico<br>AES | Anello di ancoraggio<br>Retaining rings |
|--|---------------------------------------|----------------|----------------|------------------------------|---|---|-----------------------------------|------------------------|---|
| C <sub>a1</sub> <sup>1)</sup><br>-0,2                    | C <sub>a2</sub> <sup>2)</sup><br>-0,2 | d <sub>1</sub> | d <sub>2</sub> | d <sub>3</sub> <sup>1)</sup> | Dinamico C<br>Dynamic C                             | Statico C <sub>0</sub><br>Static C <sub>0</sub> |                                   |                        |   |
| 21.5   | 21                                    | 30.55          | 34             | 47                           | 40 500  | 49 000  | 4 000                             | AES42                  | 42X1,75                                 |
| 21.5   | 21                                    | 35.35          | 39             | 52                           | 44 500  | 58 000  | 3 600                             | AES47                  | 47X1,75                                 |
| 25   | 24                                    | 40.6           | 44             | 60                           | 50 000  | 67 000  | 3 000                             | AES55                  | 55X2                                    |
| 27   | 26                                    | 46.1           | 50             | 67                           | 63 000  | 88 000  | 2 600                             | AES62                  | 62X2                                    |
| 28   | 27                                    | 51.4           | 55             | 75                           | 76 000  | 103 000   | 2 400                             | AES68                  | 68X2,5                                  |
| 30   | 29                                    | 57             | 61             | 82                           | 92 000  | 130 000   | 2 200                             | AES75                  | 75X2,5                                  |
| 30   | 29                                    | 61.8           | 66             | 87                           | 97 000  | 142 000   | 2 000                             | AES80                  | 80X2,5                                  |
| 35   | 34                                    | 68.6           | 73             | 99                           | 115 000   | 175 000   | 1 800                             | AES90                  | 90X3                                    |
| 35   | 34                                    | 73.7           | 79             | 104                          | 120 000   | 189 000   | 1 700                             | AES95                  | 95X3                                    |
| 35   | 34                                    | 78.8           | 84             | 109                          | 125 000   | 203 000   | 1 600                             | AES100                 | 100X3                                   |
| 43   | 40                                    | 84.5           | 91             | 119                          | 168 000   | 265 000   | 1 400                             | AES110                 | 110X4                                   |
| 43   | 40                                    | 89.95          | 97             | 124                          | 194 000   | 300 000   | 1 400                             | AES115                 | 115X4                                   |
| 49   | 46                                    | 97.1           | 105            | 137                          | 203 000   | 325 000   | 1 300                             | AES125                 | 125X4                                   |
| 49   | 46                                    | 103.9          | 112            | 142                          | 211 000   | 350 000   | 1 200                             | AES130                 | 130X4                                   |
| 54   | 51                                    | 109.3          | 118            | 152                          | 305 000   | 510 000   | 1 100                             | AES140                 | 140X4                                   |
| 54   | 51                                    | 113.35         | 122            | 157                          | 315 000   | 530 000   | 1 100                             | AES145                 | 145X4                                   |
| 54   | 51                                    | 117.35         | 128            | 162                          | 330 000   | 550 000   | 1 000                             | AES150                 | 150X4                                   |
| 65   | 62                                    | 131.55         | 143            | 182                          | 395 000   | 680 000   | 900                               | AES170                 | 170X4                                   |
| 65   | 63                                    | 140.9          | 153            | 196                          | 410 000   | 740 000   | 900                               | AES180                 | 180X4                                   |
| 77   | 75                                    | 156.75         | 170            | 216                          | 540 000   | 960 000   | 800                               | AES200                 | 200X4                                   |
| 65   | 63                                    | 150.55         | 160            | 206                          | 430 000   | 790 000   | 800                               | AES190                 | 190X4                                   |
| 77   | 73                                    | 165.4          | 181            | 226                          | 610 000   | 1 100 000                                       | 750                               | AES210                 | 210X5                                   |
| 65   | 63                                    | 159.95         | 170            | 216                          | 445 000   | 840 000   | 750                               | AES200                 | 200X4                                   |
| 81   | 77                                    | 175.7          | 192            | 245                          | 710 000   | 1 260 000                                       | 700                               | AES225                 | 225X5                                   |
| 65   | 61                                    | 174.4          | 185            | 226                          | 465 000   | 920 000   | 700                               | AES210                 | 210X5                                   |
| 89   | 85                                    | 189            | 207            | 260                          | 740 000   | 1 360 000                                       | 650                               | AES240                 | 240X5                                   |
| 65   | 61                                    | 184.05         | 196            | 236                          | 480 000   | 970 000   | 700                               | AES220                 | 220X5                                   |

<sup>1)</sup> Per anelli elastici AES - For AES elastic rings

<sup>2)</sup> Per anelli di ancoraggio - For retaining rings

<sup>3)</sup> Montaggio obbligatorio con anelli AES (vedi pag. 194 e indice) - Obligatory assembly with AES rings (pag. 194 and index)



| Diametro albero (mm)<br>Shaft Diameter (mm) | Sigla<br>Designation | Peso (g)<br>Weight (g) | Dimensioni (mm)<br>Dimensions (mm) |     |     |     |                |                     |     |     |     |
|---|----------------------|------------------------|------------------------------------|-----|-----|-----|----------------|---------------------|-----|-----|-----|
|   |                      |                        | d                                  | D   | B   | C   | C <sub>1</sub> | D <sub>1</sub><br>≈ | m   | t   | x   |
| 170   | SL045034-PP          | 22 600                 | 170                                | 260 | 122 | 121 | 107.2          | 254                 | 5.2 | 2   | 100 |
|   | SL04170-PP           | 9 300                  | 170                                | 230 | 80  | 79  | 71.2           | 226                 | 5.2 | 1.8 | 64  |
| 180   | SL045036-PP          | 30 100                 | 180                                | 280 | 136 | 135 | 118.2          | 274                 | 5.2 | 2   | 112 |
|   | SL04180-PP           | 9 800                  | 180                                | 240 | 80  | 79  | 71.2           | 236                 | 5.2 | 1.8 | 64  |
| 190   | SL045038-PP          | 31 500                 | 190                                | 290 | 136 | 135 | 118.2          | 284                 | 5.2 | 2   | 112 |
|   | SL04190-PP           | 12 700                 | 190                                | 260 | 80  | 79  | 73.2           | 254                 | 5.2 | 1.8 | 64  |
| 200   | SL045040-PP          | 40 800                 | 200                                | 310 | 150 | 149 | 128.2          | 304                 | 6.3 | 2   | 126 |
|   | SL04200-PP           | 13 200                 | 200                                | 270 | 80  | 79  | 73.2           | 264                 | 5.2 | 1.8 | 64  |
| 220   | SL045044-PP          | 52 500                 | 220                                | 340 | 160 | 159 | 138.2          | 334                 | 6.3 | 2   | 132 |
|   | SL04220-PP           | 19 500                 | 220                                | 300 | 95  | 94  | 83.2           | 294                 | 5.2 | 2   | 72  |
| 240   | SL045048-PP          | 56 000                 | 240                                | 360 | 160 | 159 | 138.2          | 354                 | 6.3 | 2   | 132 |
|   | SL04240-PP           | 21 000                 | 240                                | 320 | 95  | 94  | 83.2           | 314                 | 6.3 | 2   | 72  |
| 260   | SL045052-PP          | 84 500                 | 260                                | 400 | 190 | 189 | 162.2          | 394                 | 6.3 | 3   | 150 |
|   | SL04260-PP           | 22 500                 | 260                                | 340 | 95  | 94  | 83.2           | 334                 | 6.3 | 3   | 75  |
| 280   | SL045056-PP          | 90 000                 | 280                                | 420 | 190 | 189 | 163.2          | 413                 | 7.3 | 3   | 150 |
| 300   | SL045060-PP          | 126 000                | 300                                | 460 | 218 | 216 | 185.2          | 453                 | 7.3 | 3   | 170 |
|   | SL04300-PP           | 25 500                 | 300                                | 380 | 95  | 94  | 83.2           | 374                 | 6.3 | 3   | 75  |

| Dimensioni di montaggio (mm)<br>Mounting dimensions (mm) |                                       |                |                |                              | Coefficienti di carico (N)<br>Basic Load Rating (N) |   | Velocità limite<br>Limiting Speed | Anello elastico<br>AES<br>Elastic rings<br>AES | Anello di ancoraggio<br>Retaining rings |
|--|---------------------------------------|----------------|----------------|------------------------------|---|---|-----------------------------------|--|---|
| Ca <sub>1</sub> <sup>1)</sup><br>-0,2                    | Ca <sub>2</sub> <sup>2)</sup><br>-0,2 | d <sub>1</sub> | d <sub>2</sub> | d <sub>3</sub> <sup>1)</sup> | Dinamico C<br>Dynamic C                             | Statico C <sub>0</sub><br>Static C <sub>0</sub> |                                   |  |   |
| 99   | 97                                    | 200.7          | 220            | 282                          | 960 000   | 1 750 000                                       | 600                               | AES260   | 260X5                                   |
| 65   | 61                                    | 193.9          | 206            | 250                          | 490 000   | 1 030 000                                       | 650                               | AES230   | 230X5                                   |
| 110  | 108                                   | 217.8          | 239            | 302                          | 1 140 000   | 2 130 000                                       | 550                               | AES280   | 280X5                                   |
| 65   | 61                                    | 203.1          | 216            | 260                          | 500 000   | 1 080 000                                       | 600                               | AES240   | 240X5                                   |
| 110  | 108                                   | 225.65         | 248            | 312                          | 1 160 000   | 2 210 000                                       | 550                               | AES290   | 290X5                                   |
| 65   | 63                                    | 217.55         | 231            | 282                          | 520 000   | 1 130 000                                       | 550                               | AES260   | 260X5                                   |
| 120  | 116                                   | 243.05         | 267            | 336                          | 1 350 000   | 2 600 000                                       | 500                               | AES310   | 310X6                                   |
| 65   | 63                                    | 227.15         | 241            | 292                          | 540 000   | 1 210 000                                       | 550                               | AES270   | 270X5                                   |
| 130  | 126                                   | 259.85         | 286            | 366                          | 1 570 000   | 3 050 000                                       | 480                               | AES340   | 340X6                                   |
| 75   | 73                                    | 248.7          | 264            | 322                          | 700 000   | 1 550 000                                       | 480                               | AES300   | 300X5                                   |
| 130  | 126                                   | 279.25         | 305            | 386                          | 1 630 000   | 3 300 000                                       | 440                               | AES360   | 360X6                                   |
| 75   | 71                                    | 271.7          | 287            | 346                          | 740 000   | 1 700 000                                       | 480                               | AES320   | 320X6                                   |
| 154  | 150                                   | 304.95         | 336            | 426                          | 2 380 000   | 4 700 000                                       | 400                               | AES400   | 400X6                                   |
| 75   | 71                                    | 292.7          | 310            | 366                          | 840 000   | 1 990 000                                       | 440                               | AES340   | 340X6                                   |
| 154  | 149                                   | 320.95         | 354            | 453                          | 2 600 000   | 5 200 000                                       | 380                               | AES420   | 420X7                                   |
| 176  | 171                                   | 346.85         | 375            | 493                          | 3 000 000   | 5 800 000                                       | 340                               | AES460   | 460X7                                   |
| 75   | 71                                    | 328            | 346            | 406                          | 900 000   | 2 250 000                                       | 380                               | AES380   | 380X6                                   |

<sup>1)</sup> Per anelli elastici AES - For AES elastic rings

<sup>2)</sup> Per anelli di ancoraggio - For retaining rings

<sup>3)</sup> Montaggio obbligatorio con anelli AES (vedi pag. 194 e indice) - Obligatory assembly with AES ring (pag. 194 and index)