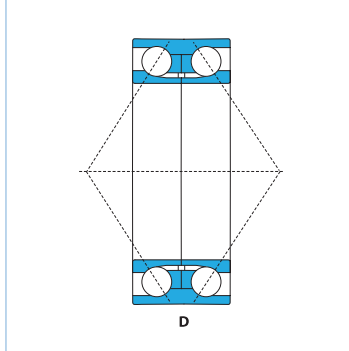
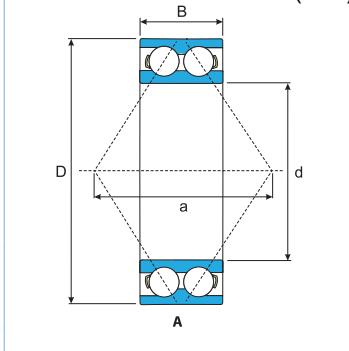


## Angular contact ball bearings, double row

*Cuscinetti obliqui a due corone di sfere*

Dimension <i>Dimensione</i>			Load rating (KN) <i>Coefficiente di carico (KN)</i>		Speed limit (Rpm) <i>Velocità limite (giri/min)</i>		Weight (kg) <i>Peso (Kg)</i>	a (mm)	Designation <i>Sigla</i>	
d (mm)	D (mm)	B (mm)	Dynamic <i>Dinamico</i> C	Static <i>Statico</i> C <sub>0</sub>	Lubrication <i>Lubrificazione</i>				Metallic cage <i>Gabbia metallica</i>	Polyamide cage <i>Gabbia in poliammide</i>
					Grease <i>Grasso</i>	Oil <i>Olio</i>				
10	30	14	7.5	4.21	18360	21600	0.051	16	-	3200 ATN9
12	32	15.9	9.9	5.49	16830	19800	0.058	19	-	3201 ATN9
15	35	15.9	11	6.66	13770	16200	0.066	21	-	3202 ATN9
	42	19	14.8	9.11	12240	14400	0.13	24	-	3302 ATN9
17	40	17.5	14	8.62	12240	14400	0.095	23	-	3203 ATN9
	47	22.2	21.2	12.45	10710	12600	0.18	28	-	3303 ATN9
20	47	20.6	19.6	11.76	10710	12600	0.16	28	3204 A	3204 ATN9
	52	22.2	23.1	14.31	9945	11700	0.22	30	3304 A	3304 ATN9
25	52	20.6	21.2	14.01	9180	10800	0.19	30	3205 A	3205 ATN9
	62	25.4	31.4	19.99	8415	9900	0.35	36	3305 A	3305 ATN9
30	62	23.8	29.4	19.99	7650	9000	0.29	36	3206 A	3206 ATN9
	72	30.2	40.7	26.95	6885	8100	0.53	42	3306 A	3306 ATN9
35	72	27	39.2	27.44	6885	8100	0.44	42	3207 A	3207 ATN9
	80	34.9	51	34.79	6505	7650	0.71	47	3307 A	3307 ATN9
40	80	30.2	46.6	33.32	6120	7200	0.58	46	3208 A	3208 ATN9
	90	36.5	62.7	43.12	5740	6750	1.05	53	3308 A	3308 ATN9
	90	36.5	67.5	62.70	5695	6700	1.05	84	3308D	3308 DTN9
45	85	30.2	50	38.22	5740	6750	0.64	49	3209 A	3209 ATN9
	100	39.7	73.5	51.94	5130	6030	1.4	58	3309 A	3309 ATN9
	100	39.7	77.7	68.11	4590	5400	1.6	93	3309 D	-
50	90	30.2	50	38.22	5355	6300	0.66	52	3210 D	3210 ATN9
	110	44.4	88.2	62.72	4590	5400	1.95	65	3310 A	3310 ATN9
	110	44.4	91.7	83.30	4284	5040	2.15	102	3310 D	-
55	100	33.3	58.8	46.55	4820	5670	1.05	57	3211 A	3211 ATN9
	120	49.2	109.8	79.87	4055	4770	2.55	72	3311 A	3311 ATN9
	120	49.2	108.8	108	3825	4500	2.8	114	3311 D	-
60	110	36.5	72	57.33	4284	5040	1.4	63	3212 A	3212 ATN9
	130	54	124.5	93.10	3825	4500	3.25	78	3312 A	-
65	120	38.1	79	72.03	3672	4320	1.75	71	3213 A	-
	140	58.7	143.1	107.80	3445	4050	4.1	84	3313 A	-
70	125	39.7	86.6	78.40	3445	4050	1.9	74	3214 A	-
	150	63.5	159.7	122.50	3290	3870	5.05	89	3314 A	-
75	130	41.3	93.7	86.24	3445	4050	2.1	77	3215 A	-
	160	68.3	172.5	137.20	3060	3600	5.55	97	3315 A	-
80	140	44.4	103.9	93.10	3290	3870	2.65	82	3216 A	-
	170	68.3	178.4	152.88	2754	3240	6.8	101	3316 A	-
	170	68.3	186.2	192.00	2754	3240	7.55	158	3316 D	-

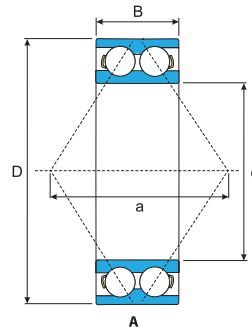
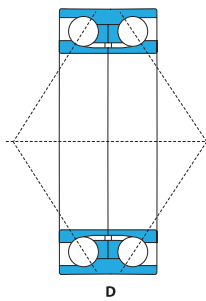


## Angular contact ball bearings, double row

*Cuscinetti obliqui a due corone di sfere*

Dimension <i>Dimensione</i>			Load rating (KN) <i>Coefficiente di carico (KN)</i>		Speed limit (Rpm) <i>Velocità limite (giri/min)</i>		Weight (kg) <i>Peso (Kg)</i>	a (mm)	Designation <i>Sigla</i>	
d (mm)	D (mm)	B (mm)	Dynamic <i>Dinamico</i> C	Static <i>Statico</i> C <sub>0</sub>	Lubrication <i>Lubrificazione</i>				Metallic cage <i>Gabbia metallica</i>	Polyamide cage <i>Gabbia in poliammide</i>
					Grease <i>Grasso</i>	Oil <i>Olio</i>				
<b>85</b>	150	49.2	121.5	107.80	2907	3420	3.4	88	<b>3217 A</b>	-
	180	73	191.1	172.48	2601	3060	8.3	107	<b>3317 A</b>	-
<b>90</b>	160	52.4	127.4	117.60	2754	3240	4.15	94	<b>3218 A</b>	-
	190	73	191.1	176.40	2448	2880	9.25	112	<b>3318 A</b>	-
	190	73	220.5	245	2448	2880	10	178	<b>3318 D</b>	-
<b>95</b>	170	55.6	155.8	143.08	2601	3060	5	101	<b>3219 A</b>	-
	200	77.8	220.5	211.68	2295	2700	11	118	<b>3319 A</b>	-
	200	77.8	237.2	269.50	2295	2700	12	189	<b>3319 D</b>	-
<b>100</b>	180	60.3	157	173	2320	2780	6.1	118	<b>3220</b>	-
	180	60.3	174.4	162.68	2448	2880	6.1	107	<b>3220 A</b>	-
	215	82.6	255	290	2300	2700	13.5	139	<b>3320</b>	-
	215	82.6	260	245	2220	2600	15.5	199	<b>3320 D</b>	-
	215	82.6	249.9	249.90	2142	2520	13.5	127	<b>3320 A</b>	-
<b>105</b>	190	65.1	168	186	2120	2450	7.4	124	<b>3221</b>	-
<b>110</b>	200	69.8	207.8	207.76	2142	2520	8.8	119	<b>3222 A</b>	-
	240	92.1	307	300	2080	2400	21.5	217	<b>3322 D</b>	-
	240	92.1	285.2	298.90	1989	2340	19	142	<b>3322 A</b>	-
<b>120</b>	260	106	314	390	-	-	27	243	<b>3324</b>	-

*Bearings & Components*



## Angular contact ball bearings, double row - sealed

*Cuscinetti obliqui a due corone di sfere, schermati*

Dimension <i>Dimensione</i>			Load rating (KN) <i>Coefficiente di carico (KN)</i>		Speed limit (Rpm) <i>Velocità limite (giri/min)</i>		Weight (kg) <i>Peso (Kg)</i>	a (mm)	Designation <i>Sigla</i>	
d (mm)	D (mm)	B (mm)	Dynamic <i>Dinamico</i> C	Static <i>Statico</i> C <sub>0</sub>	Lubrication <i>Lubrificazione</i>				With shield <i>Con</i> <i>schermi</i>	With seal <i>Con</i> <i>guarnizioni</i>
					ZZ	2RS				
10	30	14	7.46	4.2	22800	16150	0.051	16	3200-ZZ	3200-2RS
12	32	15.9	9.90	5.49	20900	14250	0.058	19	3201-ZZ	3201-2RS
15	35	15.9	10.98	6.66	17100	13300	0.066	21	3202-ZZ	3202-2RS
	42	19	14.80	9.11	15200	11400	0.13	24	3302-ZZ	3302-2RS
17	40	17.5	14.01	8.62	15200	11400	0.1	23	3203-ZZ	3203-2RS
	47	22.2	21.17	12.45	13300	10450	0.18	28	3303-ZZ	3303-2RS
20	47	20.6	19.60	11.76	13300	9500	0.15	28	3204-ZZ	3204-2RS
	52	22.2	23.13	14.31	12350	8550	0.21	30	3304-ZZ	3304-2RS
25	52	20.6	21.17	14.01	11400	8075	0.18	30	3205-ZZ	3205-2RS
	62	25.4	31.36	19.99	10450	7125	0.35	36	3305-ZZ	3305-2RS
30	62	23.8	29.40	19.99	9500	7125	0.27	36	3206-ZZ	3206-2RS
	72	30.2	40.67	26.95	8550	5985	0.52	42	3306-ZZ	3306-2RS
35	72	27	39.20	27.44	8550	5985	0.44	42	3207-ZZ	3207-2RS
	80	34.9	50.96	34.79	8075	5700	0.73	47	3307-ZZ	3307-2RS
40	80	30.2	46.55	33.32	7600	5320	0.57	46	3208-ZZ	3208-2RS
	90	36.5	62.72	43.12	7125	4750	0.93	53	3308-ZZ	3308-2RS
45	85	30.2	49.98	38.22	7125	5035	0.63	49	3209-ZZ	3209-2RS
	100	39.7	73.50	51.94	6365	4560	1.4	58	3309-ZZ	3309-2RS
50	90	30.2	49.98	38.22	6650	4560	0.65	57	3210-ZZ	3210-2RS
	110	44.4	88.20	62.72	5700	4085	1.95	61	3310-ZZ	3310-2RS
55	100	33.3	58.80	46.55	5985	4275	1.05	63	3211-ZZ	3211-2RS
	120	49.2	109.76	79.87	5035	3610	2.55	66	3311-ZZ	3311-2RS
60	110	36.5	72.03	57.33	5320	3800	1.4	63	3212-ZZ	3212-2RS
	130	54	124.46	93.10	4750	-	3.25	78	3312-ZZ	-
65	120	38.1	78.99	72.03	4560	-	1.75	71	3213-ZZ	3213-2RS
	140	58.7	143.08	107.80	4275	-	4.1	84	3313-ZZ	3313-2RS
70	125	39.7	86.63	78.4	4275	-	1.9	74	3214-ZZ	3214-2RS
	150	63.5	159.74	122.5	4085	-	5.05	89	3314-ZZ	3314-2RS
75	130	41.3	93.69	86.24	4275	-	2.1	77	3215-ZZ	3215-2RS
	160	68.3	172.48	137.20	3800	-	5.6	97	3315-ZZ	3315-2RS
80	140	44.4	98.8	131.32	3800	-	2.65	91	3216-ZZ	3216-2RS
	170	68.3	172.48	207.76	3400	-	6.95	112	3316-ZZ	3316-2RS
85	150	49.2	109	143	3600	-	3.4	97	3217-ZZ	3217-2RS
90	160	52.4	125	169	3400	-	4.15	104	3218-ZZ	3218-2RS
95	170	55.6	144	200	3200	-	5	111	3219-ZZ	3219-2RS
100	180	60.3	155	215	3000	-	6.1	118	3220-ZZ	3220-2RS