



PLATEWHEELS 1" 3/4 x 1" 1/4
for roller chains in compliance
with DIN 8187 - ISO/R 606

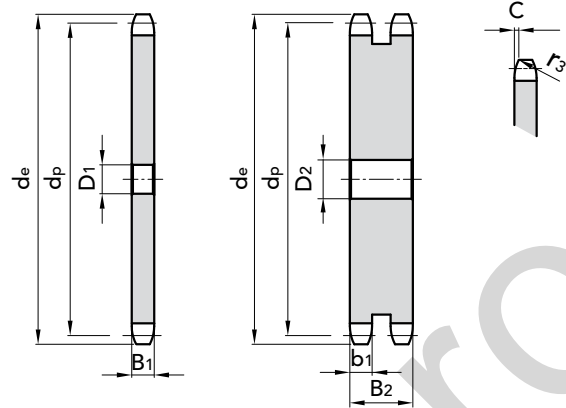
1" 3/4 x 1" 1/4

PLATEWHEEL

Tooth radius r_3	44	mm
Radius width \bar{C}	5	mm
Plate tooth width B_1	29,4	mm
Plate tooth width b_1	28,8	mm
Plate tooth width B_2	88,4	mm
Plate tooth width B_3	148	mm

CHAIN

Pitch	44,45	mm
Inner width	30,99	mm
Roller \varnothing	27,94	mm



SIMPLEX

DUPLEX

Z	D ₁	d _e	d _p	P. NUMBER	kg.	Z	D ₁	d _e	d _p	P. NUMBER	kg.	Z	D ₁	d _e	d _p	P. NUMBER	kg.	Z	D ₁	d _e	d _p	P. NUMBER	kg.
8	25	132,0	116,15	20144008	1,71	60	40	869,0	849,32	20144060	126,08	8	25	132,00	116,15	20244008	4,01	60	40	869,00	849,32	20244060	365,00
9	25	148,4	129,96	20144009	2,26	76	40	1095,5	1075,62	20144076	203,89	9	25	148,40	129,96	20244009	5,48	76	40	1095,50	1075,62	20244076	600,35
10	25	162,3	143,85	20144010	2,88							10	25	162,3	143,85	20244010	7,17						
11	25	176,3	157,77	20144011	3,53							11	25	176,30	157,77	20244011	8,92						
12	25	189,5	171,74	20144012	4,29							12	25	189,50	171,74	20244012	11,04						
13	25	204,2	185,75	20144013	5,12							13	25	204,20	185,75	20244013	13,38						
14	25	218,2	199,76	20144014	6,03							14	25	218,20	199,76	20244014	15,94						
15	25	232,3	213,79	20144015	7,01							15	25	232,30	213,79	20244015	18,72						
16	30	246,3	227,84	20144016	8,02							16	30	246,30	227,84	20244016	21,71						
17	30	260,0	241,91	20144017	9,14							17	30	260,00	241,91	20244017	24,92						
18	30	274,0	255,98	20144018	10,34							18	30	274,00	255,98	20244018	28,36						
19	30	289,0	270,06	20144019	11,61							19	30	289,00	270,06	20244019	32,00						
20	30	303,0	284,15	20144020	12,95							20	30	303,00	284,15	20244020	35,87						
21	30	317,0	298,24	20144021	14,37							21	30	317,00	298,24	20244021	39,96						
22	30	331,0	312,34	20144022	15,86							22	30	331,00	312,34	20244022	44,26						
23	30	345,0	326,44	20144023	17,42							23	30	345,00	326,44	20244023	48,78						
24	30	359,0	340,55	20144024	19,05							24	30	359,00	340,55	20244024	52,85						
25	30	373,0	354,66	20144025	20,76							25	30	373,00	354,66	20244025	58,50						
26	30	387,0	368,77	20144026	22,54							26	30	387,00	368,77	20244026	63,28						
27												27											
28	30	416,0	397,00	20144028	26,32							28	30	416,00	397,00	20244028	74,29						
29												29											
30	30	444,0	425,24	20144030	30,38							30	30	444,00	425,24	20244030	86,17						
31												31											
32	30	472,0	453,49	20144032	34,74							32											
33												33											
34	30	500,0	481,75	20144034	39,38							34											
35	30	514,0	495,88	20144035	41,82							35	30	514,00	495,88	20244035	119,69						
36	30	529,0	510,01	20144036	44,32							36											
37												37											
38	30	557,0	538,27	20144038	49,55							38	30	557,00	538,27	20244038	142,42						
39												39											
40	30	585,0	566,54	20144040	55,07							40	30	585,00	566,54	20244040	158,67						
45	30	656,0	637,22	20144045	70,13							45	30	656,00	637,22	20244045	203,10						
50	30	726,0	707,91	20144050	87,01							50	30	726,00	707,91	20244050	252,99						
57	40	825,0	806,90	20144057	113,56							57	40	825,00	806,90	20244057	332,00						

MATERIAL **FE / C45**

Ask for specific needs.

CAD drawings available on our site
www.chiaravalli.com

Quantity, availability and prices
on B2B Chiaravalli





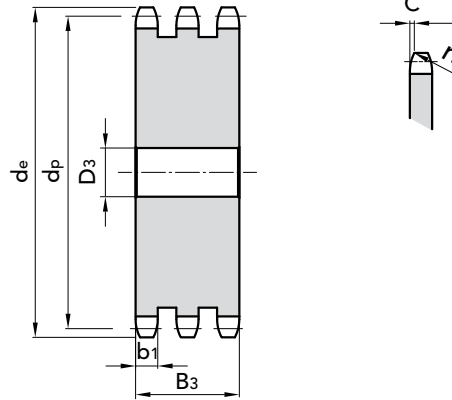
1" 3/4 x 1" 1/4

PLATEWHEEL

Tooth radius r_3	44	mm
Radius width C	5	mm
Plate tooth width B_1	29,4	mm
Plate tooth width b_1	28,8	mm
Plate tooth width B_2	88,4	mm
Plate tooth width B_3	148	mm

CHAIN

Pitch	44,45	mm
Inner width	30,99	mm
Roller \varnothing	27,94	mm



PLATEWHEELS 1" 3/4 x 1" 1/4
for roller chains in compliance
with DIN 8187 - ISO/R 606

TRIPLEX

Z	D ₁	d _e	d _p	P. NUMBER	kg.	Z	D ₁	d _e	d _p	P. NUMBER	kg.
8	25	132,0	116,15	20344008	6,39	60					
9	25	148,4	129,96	20344009	8,80	76	40	1095,5	1075,62	20344076	1000,97
10	25	162,3	143,85	20344010	11,56						
11	30	176,3	157,77	20344011	14,44						
12	30	189,5	171,74	20344012	17,93						
13	30	204,2	185,75	20344013	21,79						
14	30	218,2	199,76	20344014	26,02						
15	30	232,3	213,79	20344015	30,61						
16	30	246,3	227,84	20344016	35,57						
17	30	260,0	241,91	20344017	40,89						
18	30	274,0	255,98	20344018	46,58						
19	30	289,0	270,06	20344019	52,64						
20	30	303,0	284,15	20344020	59,06						
21	30	317,0	298,24	20344021	65,20						
22											
23	30	345,0	326,44	20344023	79,87						
24											
25	40	373,0	354,66	20344025	95,99						
26											
27											
28											
29											
30	40	444,0	425,24	20344030	142,70						
31											
32											
33											
34											
35											
36											
37											
38	40	557,0	538,27	20344038	236,43						
39											
40	40	585,0	566,54	20344040	263,52						
45	40	656,0	637,22	20344045	337,73						
50											
57	40	825,0	806,90	20344057	552,76						

MATERIAL **FE / C45**

Ask for specific needs.

CAD drawings available on our site
www.chiaravalli.com

Quantity, availability and prices
on B2B Chiaravalli

