



PLATEWHEELS ASA 60 pitch 3/4" x 1/2" for roller chains in compliance with DIN 8188 - ISO/R 606 - ANSI B 29.1

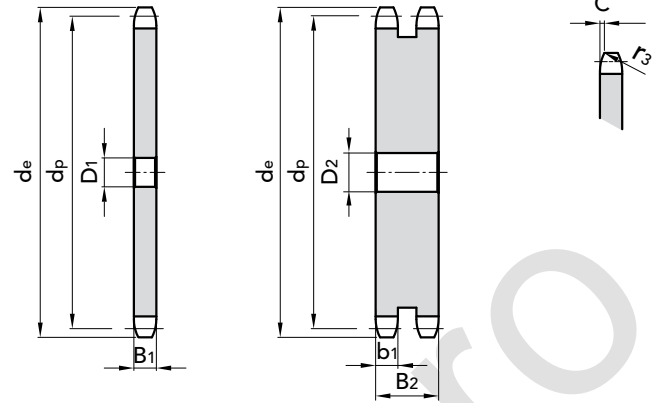
pitch 3/4" x 1/2"

PLATEWHEEL

Tooth radius r_3	20	mm
Radius width C	2,4	mm
Plate tooth width B_1	12,0	mm
Plate tooth width b_1	11,8	mm
Plate tooth width B_2	34,6	mm
Plate tooth width B_3	57,4	mm

CHAIN

Pitch	19,05	mm
Inner width	12,7	mm
Roller \varnothing	11,91	mm



SIMPLEX

DUPLEX

Z D₁ d_e d_p P. NUMBER kg.

Z	D ₁	d _e	d _p	P. NUMBER	kg.
8					
9	10	64,0	55,0	21106009	0,167
10	12	71,54	61,65	21106010	0,210
11					
12	12	83,5	73,6	21106012	0,314
13	14	89,6	79,6	21106013	0,375
14	14	95,5	85,7	21106014	0,440
15					
16					
17	16	113,6	103,7	21106017	0,670
18					
21					
26					
27					
28					
30					
31	20	196,7	188,3	21106031	2,350
32					
33	20	208,9	200,5	21106033	2,600
34	20	204,7	206,7	21106034	2,840
38	20	240,6	230,69	21106038	3,200
40	20	252,7	242,80	21106040	3,950
42	25	265	255	21106042	4,350
44	25	277,2	267,3	21106044	4,800
45					
46	25	289,4	279,3	21106046	5,240
48	25	301,2	291,27	21106048	5,770
57	25	355,7	345,81	21106057	8,010
72	30	447	437	21106072	13,09
76	30	470,87	460,98	21106076	14,62

Z D₁ d_e d_p P. NUMBER kg.

Z	D ₁	d _e	d _p	P. NUMBER	kg.
8					
9					
10	16	71,54	61,65	21206010	0,50
11					
12					
13					
14					
15	16	101,52	91,12	21206015	1,31
16					
17					
18					
21	20	137,11	127,46	21206021	2,84
26					
27					
28	20	180,03	170,1	21206028	4,00
30					
31					
32					
33					
34					
38	25	240,60	230,69	21206038	10,60
40	25	252,70	242,80	21206040	11,20
42					
44					
45	25	282,98	273,09	21206045	14,20
46					
48					
57	25	355,70	345,81	21206057	23,65
72					
76	30	470,87	460,98	21206076	45,00
90					
95	30	586,06	576,17	21206095	66,90

MATERIAL **FE / C45**

Ask for specific needs.

CAD drawings available on our site

Quantity, availability and prices





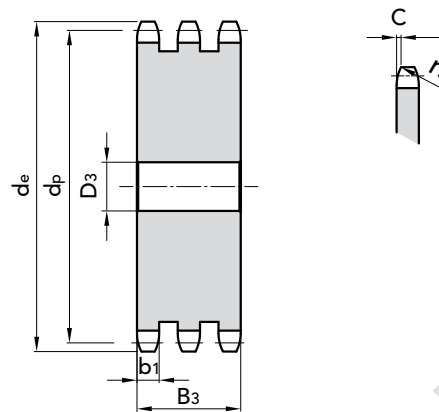
pitch 3/4" x 1/2"

PLATEWHEEL

Tooth radius r_3	20	mm
Radius width \check{C}	2,4	mm
Plate tooth width B_1	12,0	mm
Plate tooth width b_1	11,8	mm
Plate tooth width B_2	34,6	mm
Plate tooth width B_3	57,4	mm

CHAIN

Pitch	19,05	mm
Inner width	12,7	mm
Roller \varnothing	11,91	mm



TRIPLEX

Z D₁ d_e d_p P. NUMBER kg.

Z	D ₁	d _e	d _p	P. NUMBER	kg.
13	16	89,60	79,60	21306013	1,00
14	16	95,5	85,70	21306014	1,91
18	20	119,60	109,71	21306018	3,31
19					
20	20	131,67	121,78	21306020	4,00
21	20	137,11	127,46	21306021	5,00
22	20	142,21	133,86	21306022	6,00
30	20	192,14	182,25	21306030	10,0
32					
38	25	240,6	230,69	21306038	13,00
40					
45	25	282,98	273,09	21306045	24,00
48	25	301,2	291,27	21306048	26,00
57	30	355,70	345,81	21306057	37,57
76	30	470,87	460,98	21306076	70,32
95					

MATERIAL **FE / C45**

Ask for specific needs.

CAD drawings available on our site

Quantity, availability and prices



PLATEWHEELS ASA 60 pitch 3/4" x 1/2" for roller chains in compliance with DIN 8188 - ISO/R 606 - ANSI B 29.1