



## PROFILE BLC

MADE IN ITALY

### Standard lengths 2 METERS

(on request we provide higher lengths)

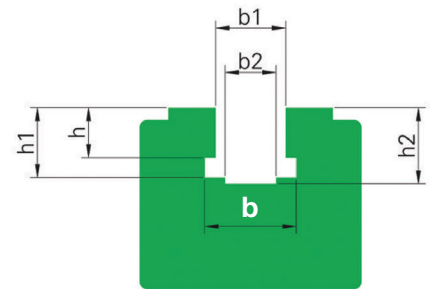
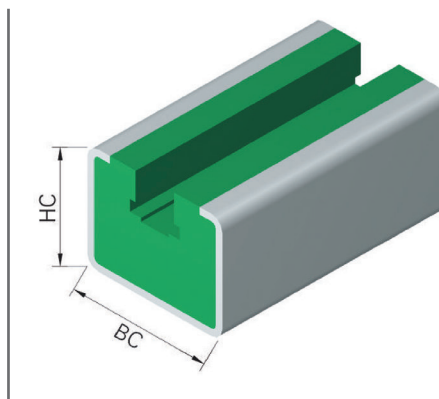
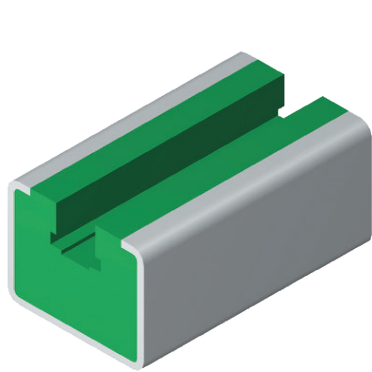
Material: PE-UHMW High molecular weight polyethylene (p.m. over 1.000.000)

Color: green

Specific gravity: g/cm<sup>3</sup> 0,945Dynamic friction coefficient: 0.2 (P = 0.05 N/mm<sup>2</sup> - V = 0.6 m/s - T = 40°C)

Temperature range : -70°C ÷ 65°C

Linear thermal expansion: mm 2 every 10°C from the temperature of 20°C.



| DESCRIPTION   | ARTICLE CODE        | CHAIN       | ISO 606 (DIN 8187) | BC   | HC   | b1   | b2   | h1   | h2   | b    | h    | METALLIC PROFILE | WEIGHT   |
|---------------|---------------------|-------------|--------------------|------|------|------|------|------|------|------|------|------------------|----------|
|               |                     |             |                    | mm   | mm   | mm   | mm   | mm   | mm   | mm   | mm   |                  | Kg/piece |
| <b>BLC-01</b> | <b>GC 1 50 01 2</b> | 3/8"x7/32"  | 06 B-1             | 30.0 | 24.0 | 6.6  | 4.0  | 8.7  | 10.0 | 9.3  | 5.6  | C-10             | 0,81     |
| <b>BLC-05</b> | <b>GC 1 50 05 2</b> | 1/2"x5/16"  | 08 B-1             | 30.0 | 24.0 | 8.7  | 5.0  | 11.5 | 13.5 | 12.8 | 7.6  | C-10             | 0,81     |
| <b>BLC-09</b> | <b>GC 1 50 09 2</b> | 5/8"x3/8"   | 10 B-1             | 30.0 | 24.0 | 10.4 | 6.0  | 13.5 | 14.8 | 15.4 | 9.5  | C-10             | 0,81     |
| <b>BLC-15</b> | <b>GC 1 50 15 2</b> | 3/4"x7/16"  | 12 B-1             | 30.0 | 24.0 | 12.3 | 7.0  | 15.9 | 17.5 | 16.9 | 11.5 | C-10             | 0,81     |
| <b>BLC-18</b> | <b>GC 1 50 18 2</b> | 1"x17 mm    | 16 B-1             | 45.0 | 40.0 | 16.1 | 9.0  | 25.7 | 26.8 | 24.4 | 16.1 | C-11             | 2,22     |
| <b>BLC-21</b> | <b>GC 1 50 21 2</b> | 1 1/4"x3/4" | 20 B-1             | 45.0 | 40.0 | 19.3 | 11.0 | 29.3 | 31.2 | 27.5 | 19.5 | C-11             | 2,00     |

**METALLIC PROFILE NOT INCLUDED****Note:** all value have been measured in standard weather conditions: 23°C/73°F with 50% relative humidity (DIN 50005/ISO 554)