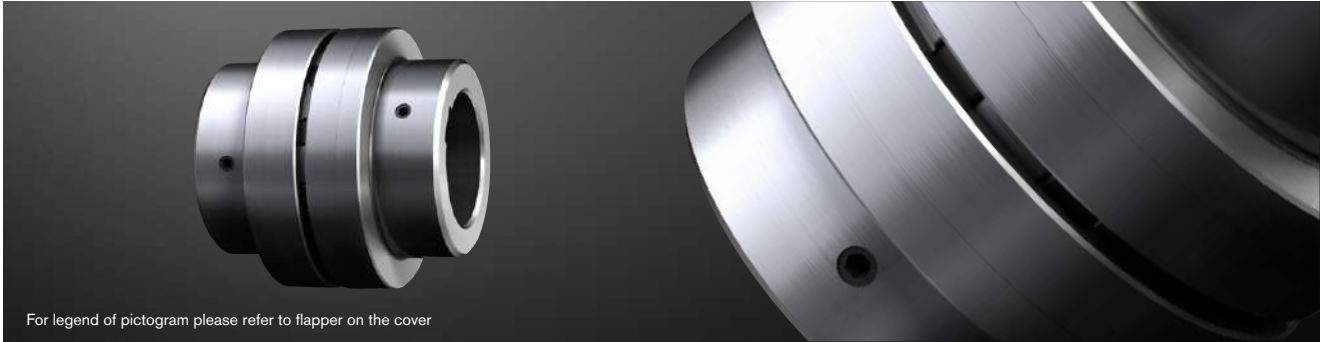
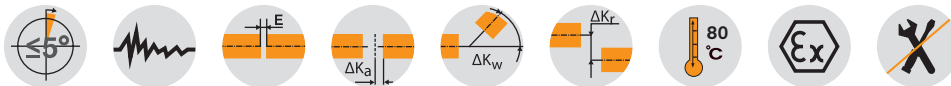


# POLY-NORM® AR Flexible couplings

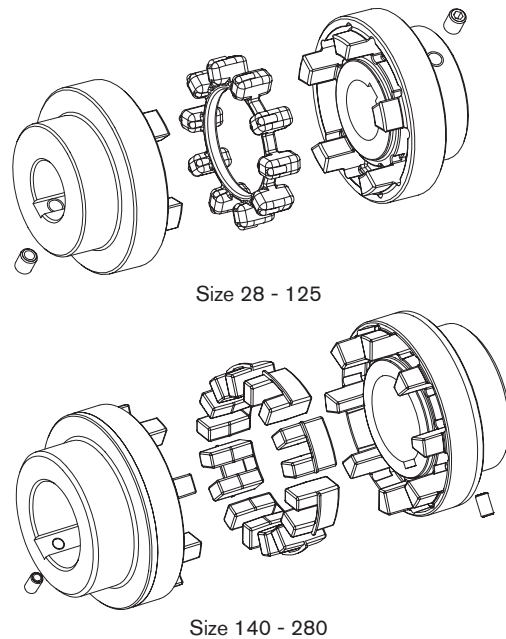
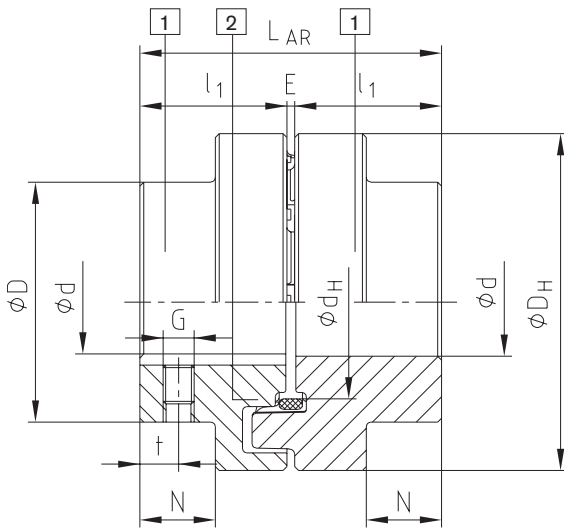
## Two-part



For legend of pictogram please refer to flapper on the cover



### Components



Components of type AR:  
1 = Standard hub (GJL)  
2 = Elastomer ring (up to size 180: NBR 78 ShA; from size 200: T-PUR® 84 ShA)

POLY-NORM® Type AR															
Size	Elastomer ring <sup>1)</sup> (component <sup>2)</sup> Torque [Nm]		Max. finish bore d <sup>2)</sup>	Dimensions [mm]										Mass moment of inertia <sup>3)</sup> [kgm <sup>2</sup> ]	Weight <sup>3)</sup> [kg]
	TKN	TK max		General							Setscrew <sup>2)</sup>				
				LAR	l <sub>1</sub>	E	DH	D	d <sub>H</sub>	N	G	t			
28	40	80	12-30	59	28	3	69	46	36.5	12	M5	7	0.0004	0.9	
32	60	120	12-35	68	32	4	78	53	41.5	14	M8	7	0.0008	1.4	
38	90	180	19-40	80	38	4	87	62	50	19.5	M8	10	0.0016	2.0	
42	150	300	19-45	88	42	4	96	69	55.5	20	M8	10	0.0026	2.7	
48	220	440	19-50	101	48	5	106	78	64	24	M8	15	0.0042	3.7	
55	300	600	19-60	115	55	5	118	90	73	29	M8	14	0.0070	5.5	
60	410	820	19-65	125	60	5	129	97	81	33	M8	15	0.0112	6.9	
65	550	1100	19-70	135	65	5	140	105	86	36	M10	20	0.0174	8.8	
75	850	1700	32-80	155	75	5	158	123	100	42.5	M10	20	0.028	13.5	
85	1350	2700	32-90	175	85	5	182	139	116	48.5	M10	25	0.052	19.5	
90	2000	4000	32-95	185	90	5	200	148	128	49	M12	25	0.090	23.2	
100	2900	5800	42-110	206	100	6	224	165	143	55	M12	25	0.160	31.9	
110	3900	7800	50-120	226	110	6	250	185	158	60	M16	30	0.317	38.0	
125	5500	11000	55-140	256	125	6	280	210	178	70	M16	35	0.570	55.2	
140	7200	14400	65-155	286	140	6	315	235	216	76.5	M20	35	1.030	92.6	
160	10000	20000	75-175	326	160	6	350	265	246	94.5	M20	45	1.746	126.9	
180	13400	26800	75-200	366	180	6	400	300	290	111.5	M20	50	3.239	181.8	
200	19000	38000	85-200	408	200	8	450	335	-	126	M24	50	5.728	263.7	
220	30000	60000	95-220	448	220	8	500	370	-	140	M24	50	9.489	355.9	
240	43000	86000	105-240	488	240	8	550	405	-	154	M24	50	14.963	466.3	
260	55000	110000	115-260	530	260	10	650	440	-	158	M24	60	29.504	672.2	
280	67000	134000	125-280	570	280	10	700	475	-	172	M24	60	42.451	836.6	

<sup>1)</sup> Standard material Perbunan [NBR] 78 Shore A, size 140 - 280 double tooth elastomers, for selection see page 14 et seqq.

<sup>2)</sup> Bores H7 with keyway to DIN 6885 sheet 1 [JS9] and setscrew on the keyway

<sup>3)</sup> Referring to average bore